



US00D829706S

(12) **United States Design Patent** (10) **Patent No.:** **US D829,706 S**
Berini (45) **Date of Patent:** **** Oct. 2, 2018**

(54) **KIOSK**
(71) Applicant: **NextgenID, Inc.**, San Antonio, TX (US)
(72) Inventor: **Dario John Berini**, Ashburn, VA (US)
(73) Assignee: **NextgenID, Inc.**, San Antonio, TX (US)
(**) Term: **15 Years**
(21) Appl. No.: **29/641,115**

9,256,720 B2 * 2/2016 Berini G06F 21/32
D751,061 S * 3/2016 Berini D14/307
D760,711 S * 7/2016 Berini D14/307
D762,635 S * 8/2016 Szeredi D14/307
D774,030 S * 12/2016 Hoover D14/307
D778,276 S * 2/2017 Berini D14/307
D788,098 S * 5/2017 Thornton D14/307
D799,471 S * 10/2017 Brown D14/307
D811,381 S * 2/2018 Morohoshi D14/307
D815,628 S * 4/2018 Berini D14/307
D816,077 S * 4/2018 Benic D14/307
2009/0289104 A1 * 11/2009 Yoneda G06F 1/16
235/375
2011/0192681 A1 * 8/2011 Johnson A47F 10/02
186/52
2012/0293642 A1 * 11/2012 Berini G06F 21/32
348/77

(22) Filed: **Mar. 20, 2018**
Related U.S. Application Data

(60) Continuation of application No. 29/553,500, filed on Feb. 2, 2016, now Pat. No. Des. 815,628, which is a division of application No. 29/487,801, filed on Apr. 11, 2014, now Pat. No. Des. 751,061.

(51) **LOC (11) Cl.** **14-02**
(52) **U.S. Cl.**
USPC **D14/307**

(58) **Field of Classification Search**
USPC D14/302-307, 900-902; D13/163;
D20/10; D21/332, 325, 369, 370;
D99/28; D6/397, 466; 194/206;
361/679.01, 679.02, 679.04, 679.21,
361/679.57, 725
CPC G06Q 20/18; G06Q 20/10; G06Q 20/123;
G06Q 20/20; G06Q 30/02; G06Q 30/06;
A47F 9/047
See application file for complete search history.

(56) **References Cited**
U.S. PATENT DOCUMENTS
D605,189 S * 12/2009 Kuroda D14/307
D742,870 S * 11/2015 Berini G06F 21/32
D14/307

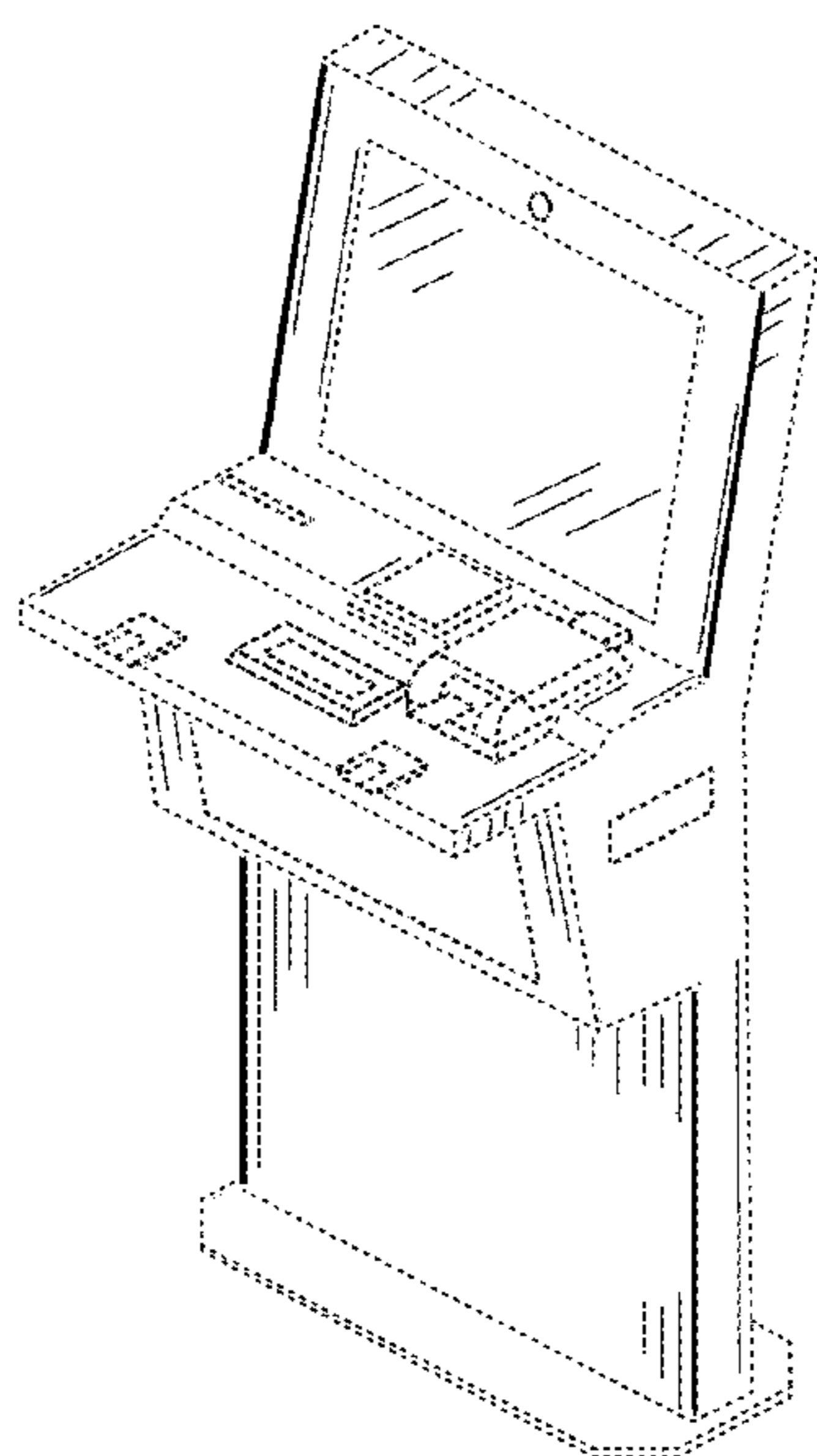
(Continued)

Primary Examiner — Austin Murphy
(74) *Attorney, Agent, or Firm* — Nixon Peabody LLP

(57) **CLAIM**
The ornamental design for kiosk, as shown and described.

DESCRIPTION
FIG. 1 is a perspective view of a first embodiment of a kiosk showing our new design.
FIG. 2 is a front elevation view of the kiosk of FIG. 1.
FIG. 3 is a back elevation view of the kiosk of FIG. 1.
FIG. 4 is a first side elevation view of the kiosk of FIG. 1.
FIG. 5 is a second side elevation view of the kiosk of FIG. 1.
FIG. 6 is a top plan view of the kiosk of FIG. 1; and
FIG. 7 is a bottom plan view of the kiosk of FIG. 1.
The portions of the drawings shown in broken lines represent environmental structure and form no part of the claimed design.

1 Claim, 4 Drawing Sheets



(56)

References Cited

U.S. PATENT DOCUMENTS

2013/0215275 A1* 8/2013 Berini G06F 21/32
348/150

* cited by examiner

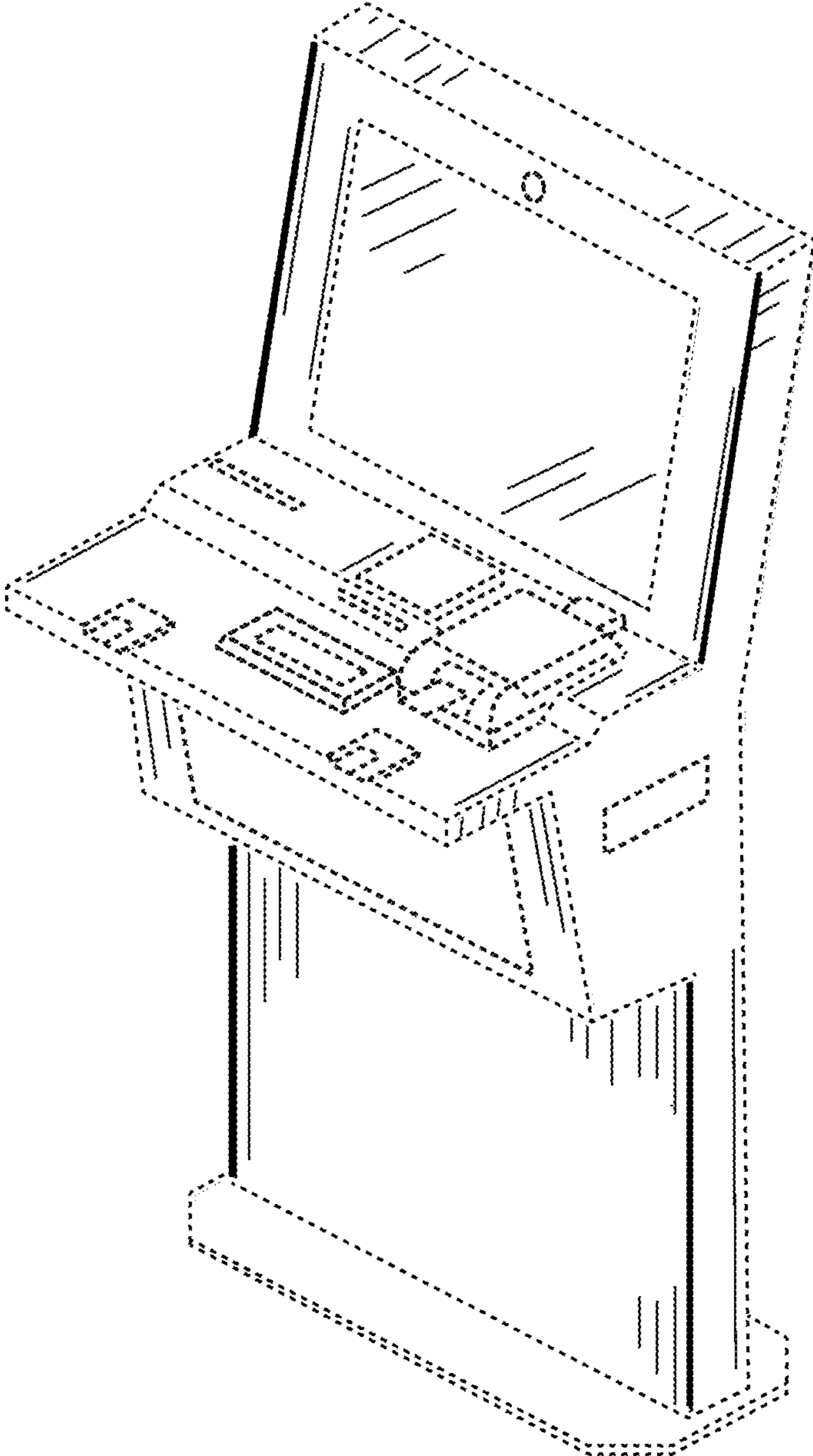


FIG.1

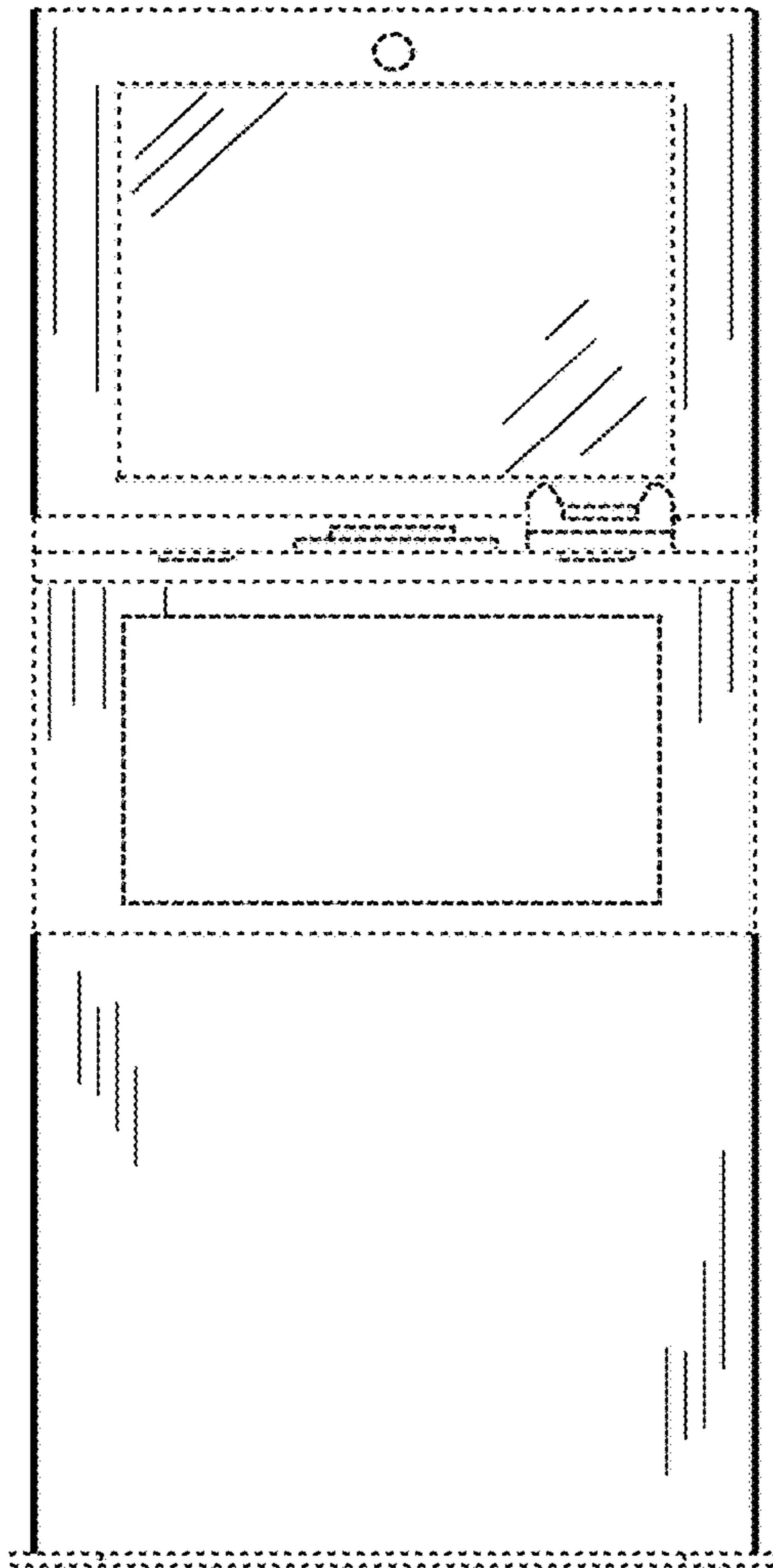


FIG. 2

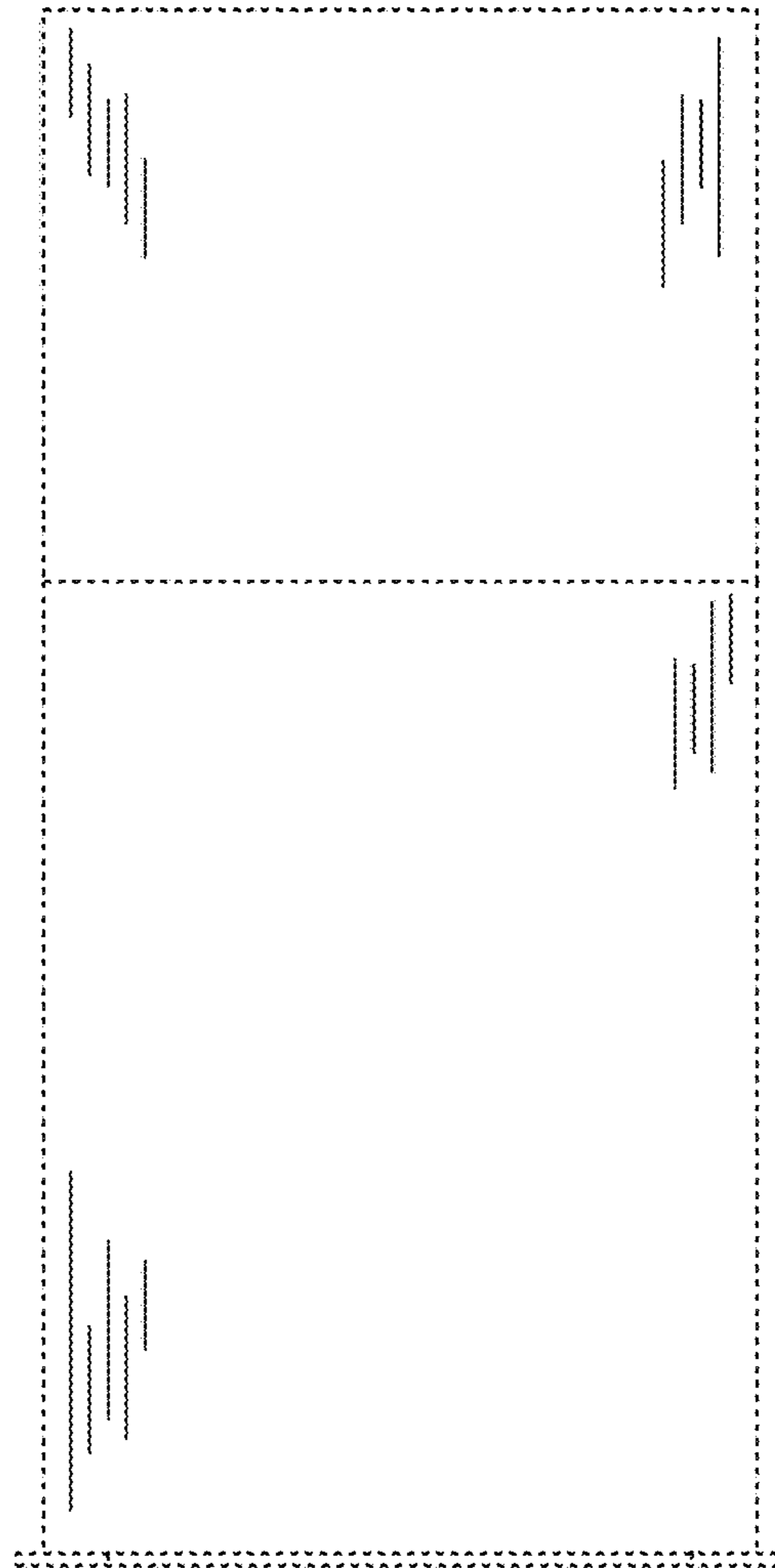


FIG. 3

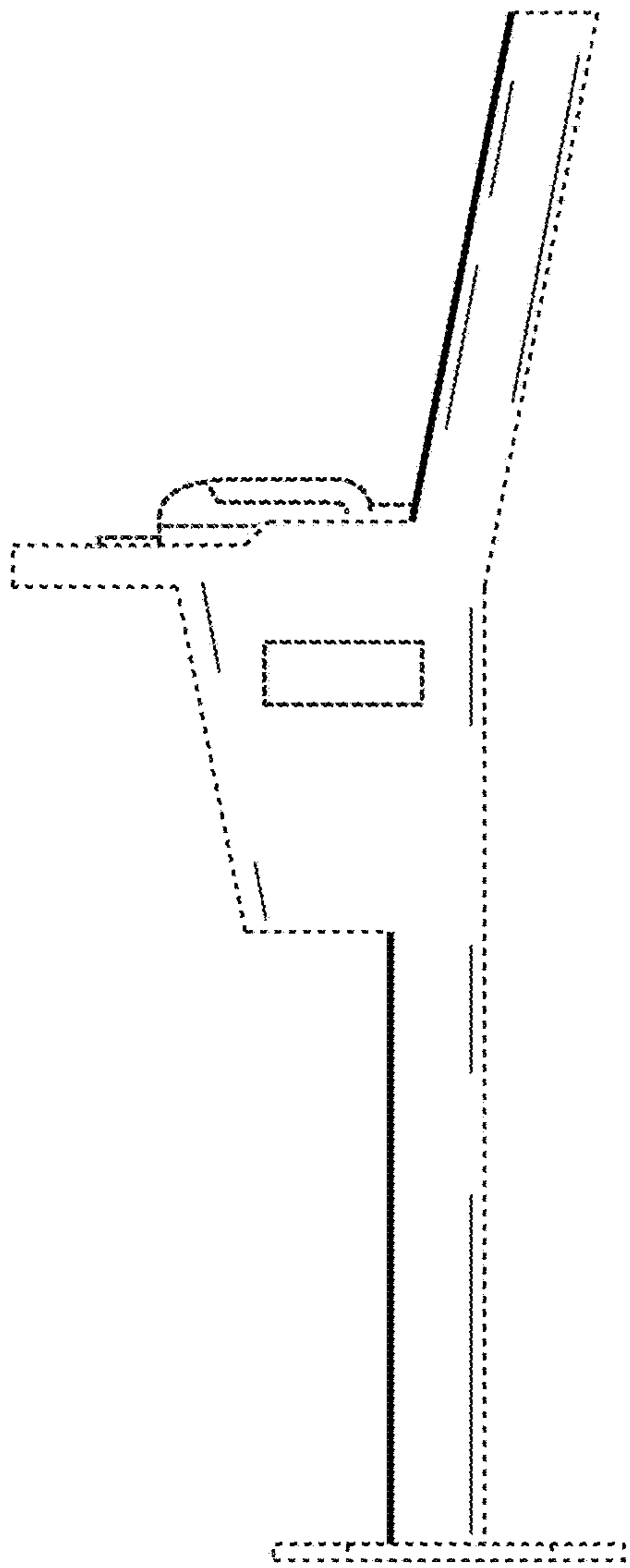


FIG. 4

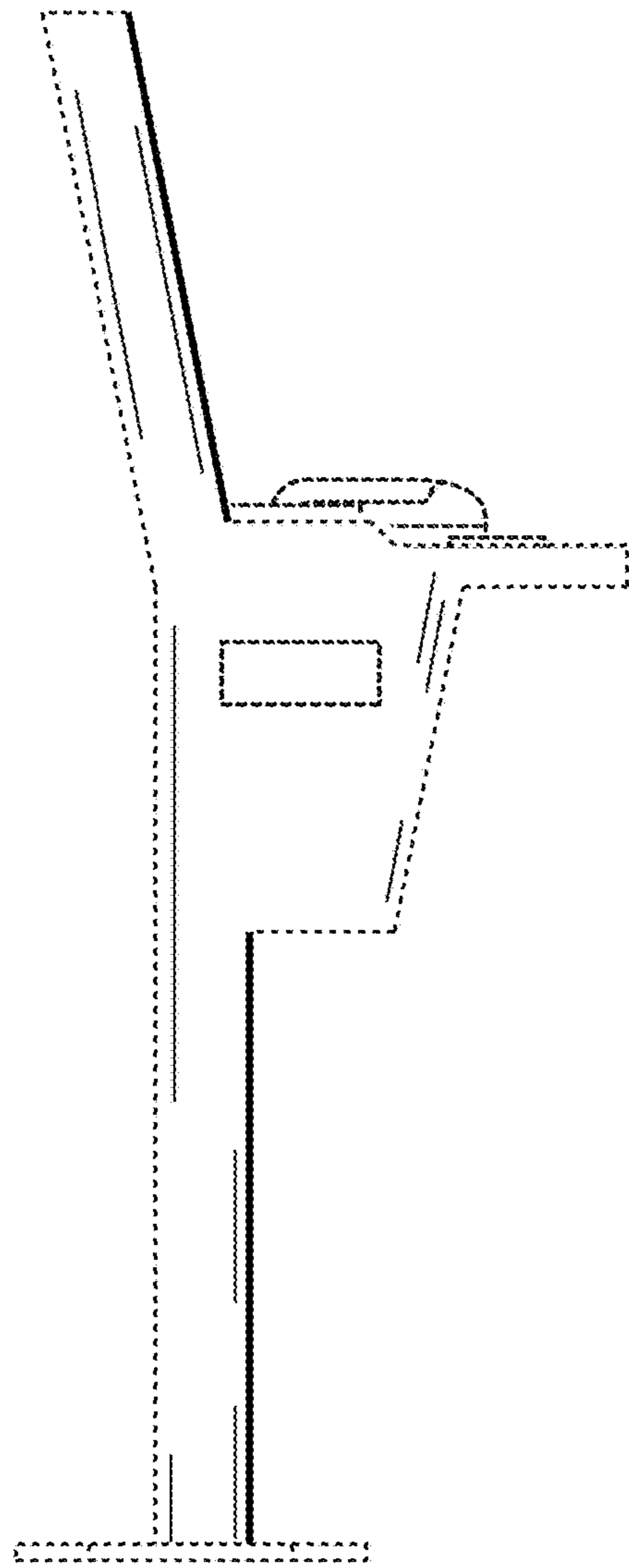


FIG. 5

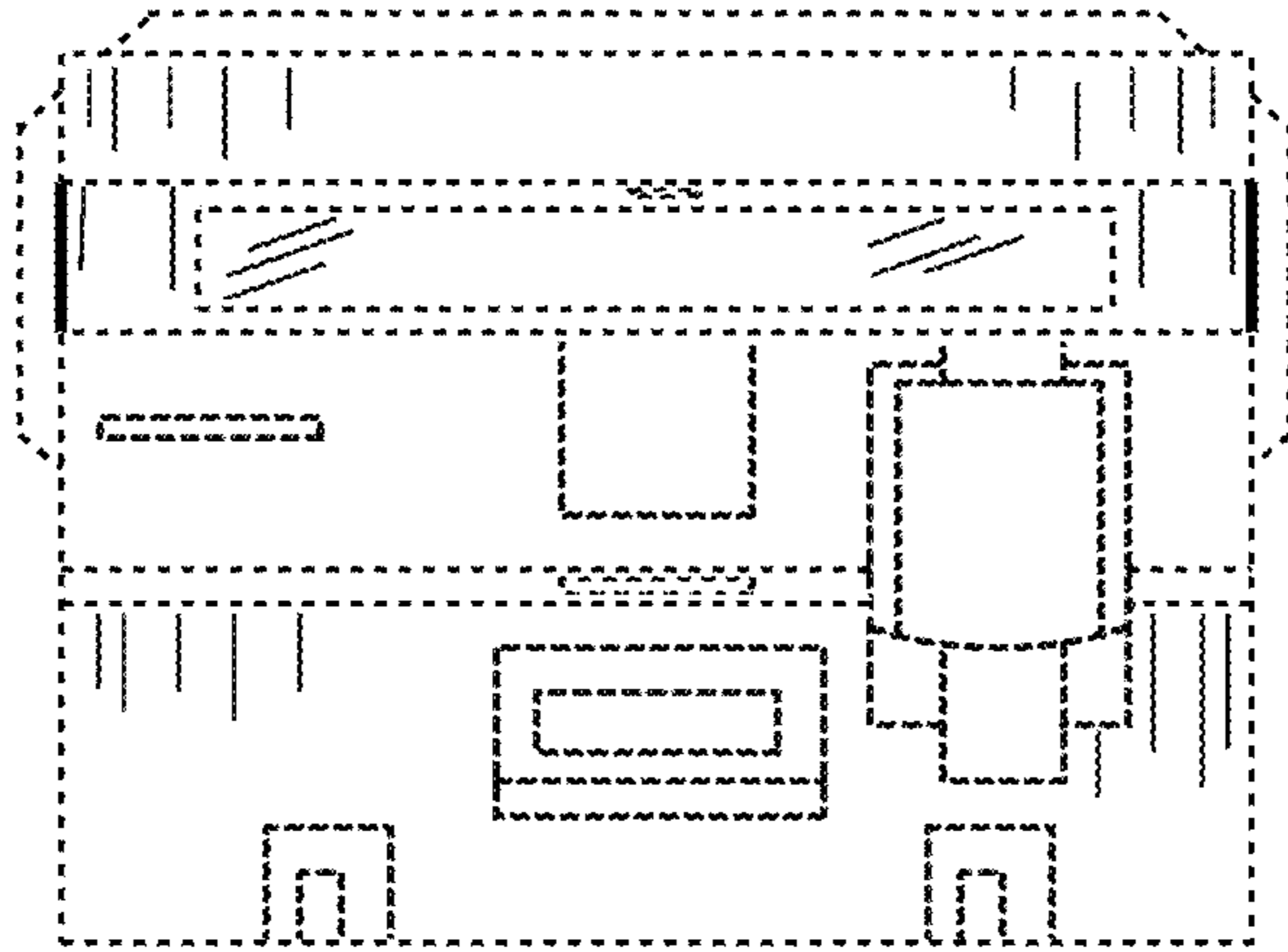


FIG. 6

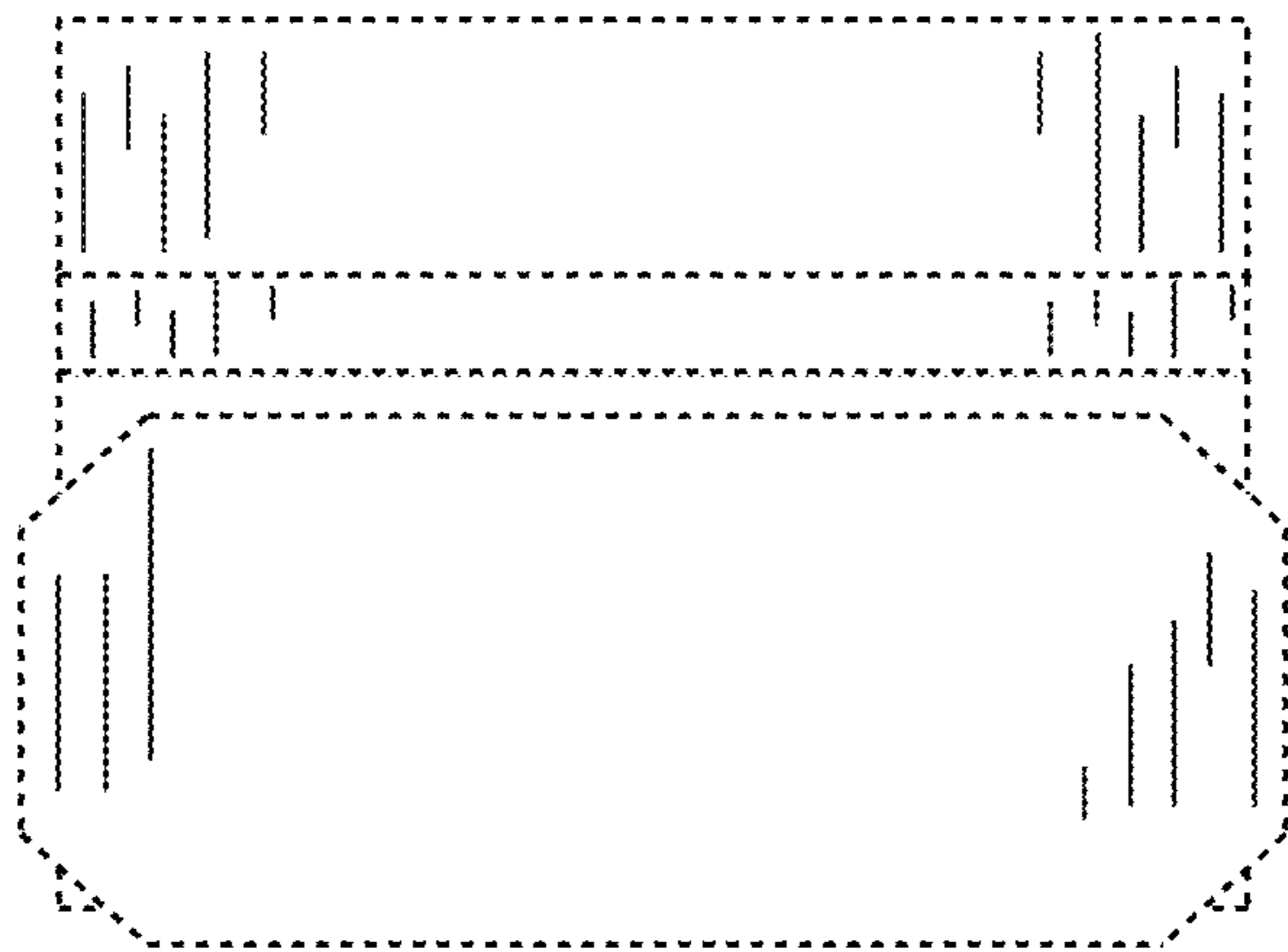


FIG. 7