



US00D829703S

(12) **United States Design Patent** (10) **Patent No.:** **US D829,703 S**
Balmer (45) **Date of Patent:** **** Oct. 2, 2018**

(54) **CLIP FOR AN ELECTRONIC DEVICE**

(71) Applicant: **Daymen US, Inc.**, Petaluma, CA (US)

(72) Inventor: **Noah Balmer**, Santa Rosa, CA (US)

(73) Assignee: **Vitec Holdings Italia SRL**, Cassola (IT)

(**) Term: **15 Years**

(21) Appl. No.: **29/593,766**

(22) Filed: **Feb. 13, 2017**

(51) **LOC (11) Cl.** **14-03**

(52) **U.S. Cl.**
USPC **D14/251**

(58) **Field of Classification Search**
USPC D14/251, 240, 217, 447, 253; 224/558
CPC H04B 1/3888; H04M 1/0283; A45C 1/06
See application file for complete search history.

(56) **References Cited**

U.S. PATENT DOCUMENTS

6,073,901	A *	6/2000	Richter	B60R 11/0241 224/558
8,083,198	B2 *	12/2011	Stabler	F16M 11/16 211/184
D690,707	S *	10/2013	Minn	B60R 11/0241 D14/447
8,893,939	B2 *	11/2014	Brass	B60D 1/60 224/515
D720,759	S *	1/2015	Deng	D14/447
D721,074	S *	1/2015	Harris	D14/253
D723,042	S *	2/2015	Lee	D14/447
D765,651	S *	9/2016	Liu	D14/253
D772,217	S *	11/2016	Lau	D14/253
D777,167	S *	1/2017	Wengreen	D14/447
D799,466	S *	10/2017	Sukphist	D14/253
D813,241	S *	3/2018	Wengreen	D14/434
9,975,497	B2 *	5/2018	Kim	B60R 11/0241

(Continued)

Primary Examiner — Cynthia R Underwood

(74) *Attorney, Agent, or Firm* — Michael A. Guth

(57) **CLAIM**

The ornamental design for a clip for an electronic device, as shown and described.

DESCRIPTION

FIG. 1 is a front view of a clip for an electronic device in a stowed configuration.

FIG. 2 is a back view of a clip for an electronic device in a stowed configuration.

FIG. 3 is a top view of a clip for an electronic device in a stowed configuration.

FIG. 4 is a bottom view of a clip for an electronic device in a stowed configuration.

FIG. 5 is a right side view of a clip for an electronic device in a stowed configuration.

FIG. 6 is a left side view of a clip for an electronic device in a stowed configuration.

FIG. 7 is a perspective view of a clip for an electronic device in a stowed configuration.

FIG. 8 is a front view of a clip for an electronic device in a deployed configuration.

FIG. 9 is a back view of a clip for an electronic device in a deployed configuration.

FIG. 10 is a top view of a clip for an electronic device in a deployed configuration.

FIG. 11 is a bottom view of a clip for an electronic device in a deployed configuration.

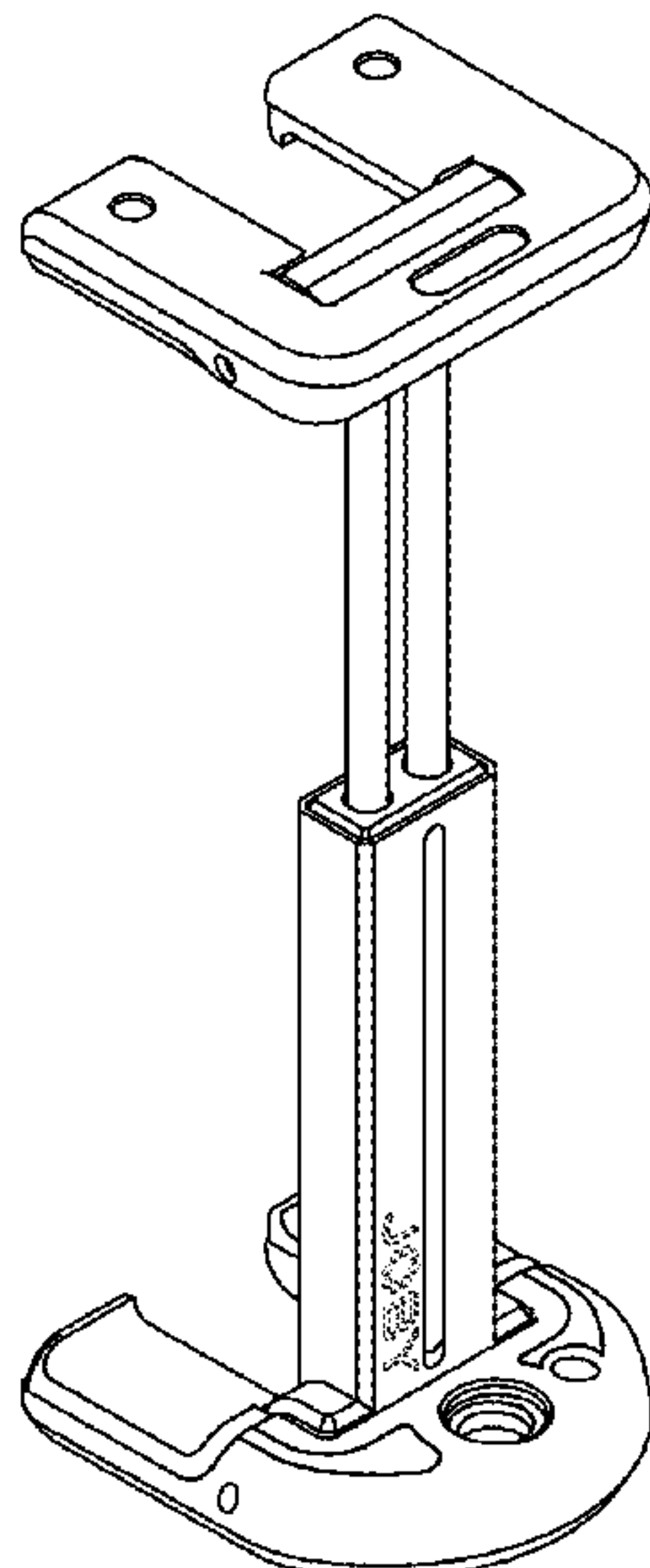
FIG. 12 is a right side view of a clip for an electronic device in a deployed configuration.

FIG. 13 is a left side view of a clip for an electronic device in a deployed configuration.

FIG. 14 is an upper rear perspective view of a clip for an electronic device in a deployed configuration; and,

FIG. 15 is a lower rear perspective view of a clip for an electronic device in a deployed configuration.

1 Claim, 13 Drawing Sheets



(56)

References Cited

U.S. PATENT DOCUMENTS

2014/0138419 A1* 5/2014 Minn B60R 11/0241
224/567
2015/0162948 A1* 6/2015 Restivo H04B 1/3888
455/575.8
2015/0212544 A1* 7/2015 Chen G06F 1/1632
361/679.41
2016/0119458 A1* 4/2016 Gunther H04M 1/04
248/316.5

* cited by examiner

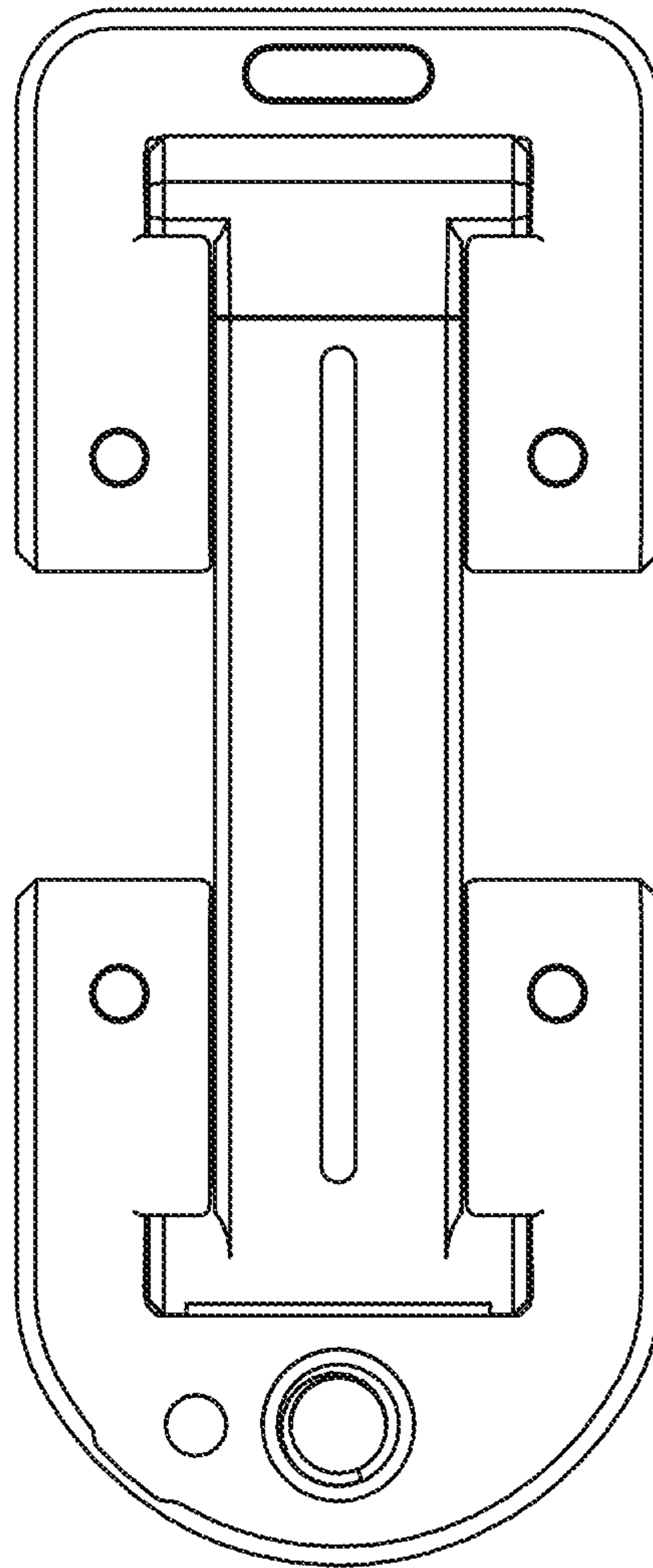


FIG. 1

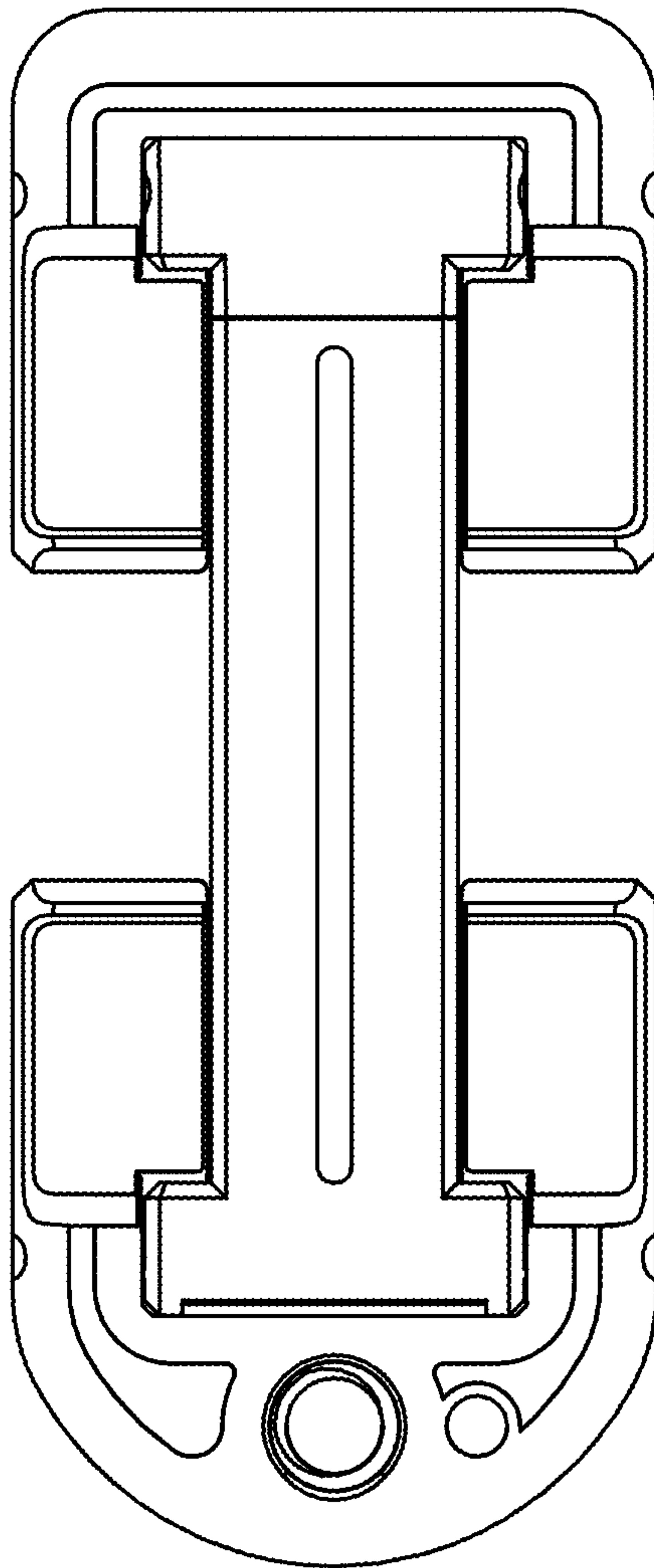


FIG. 2



FIG. 3



FIG. 4



FIG. 5



FIG. 6

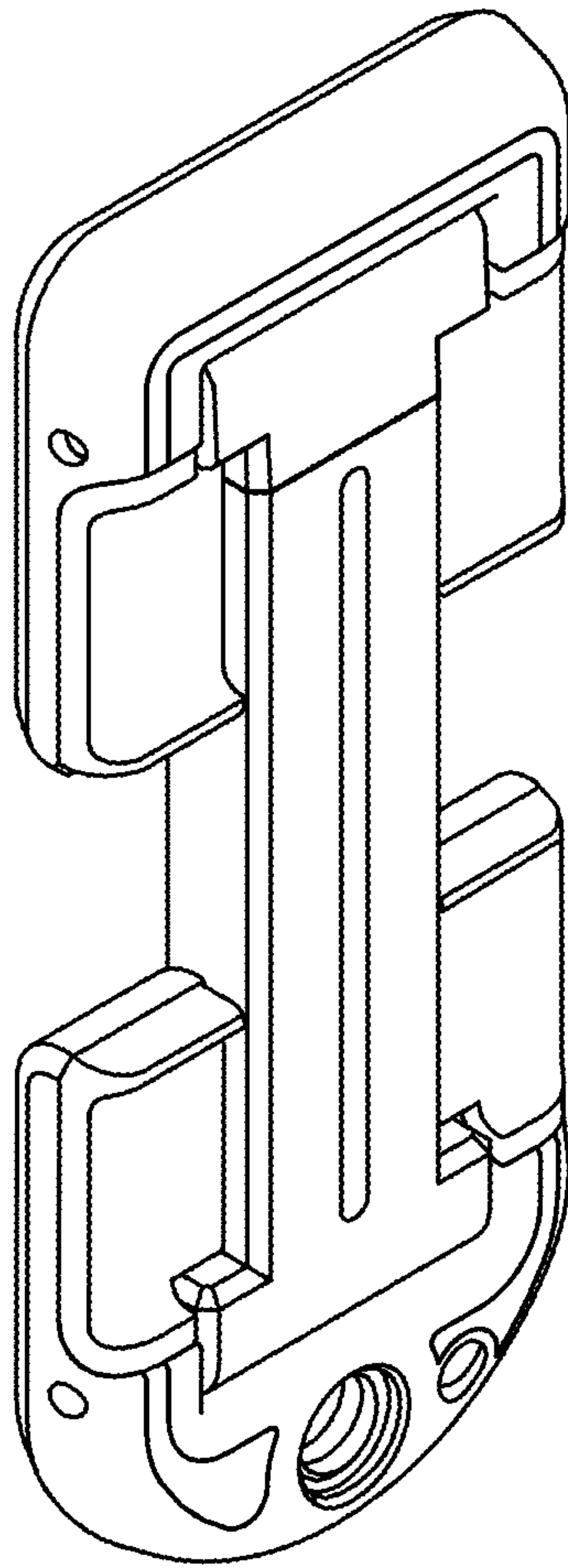


FIG. 7

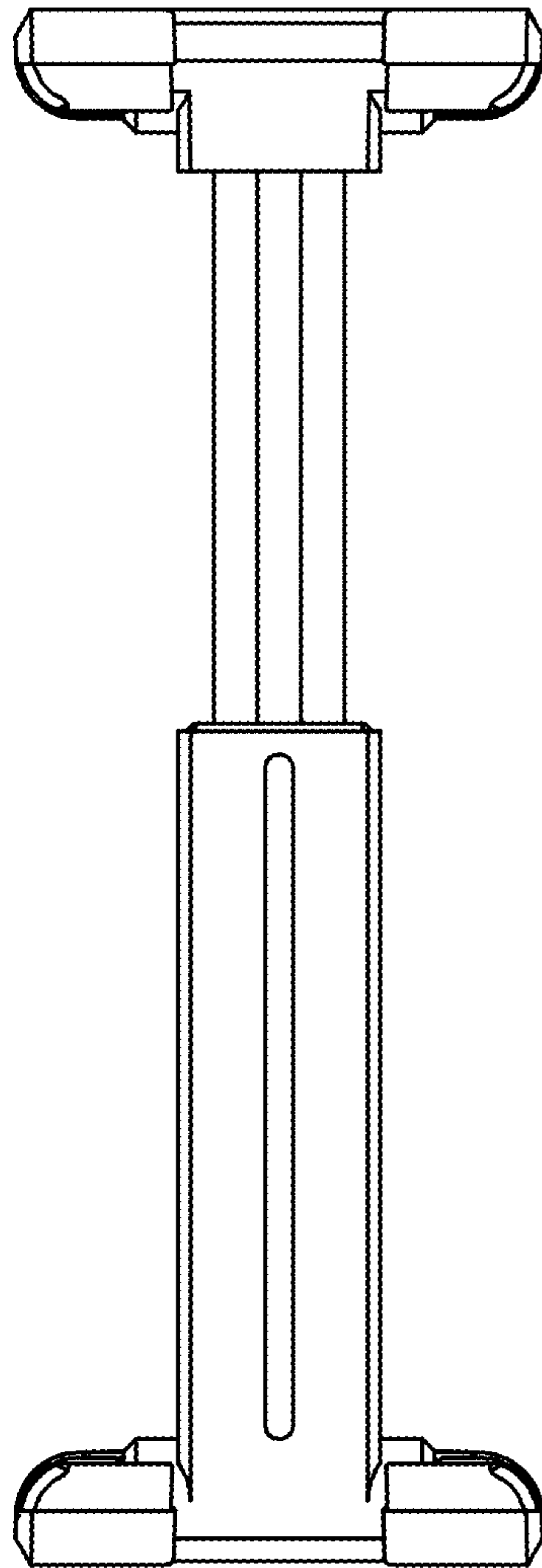


FIG. 8

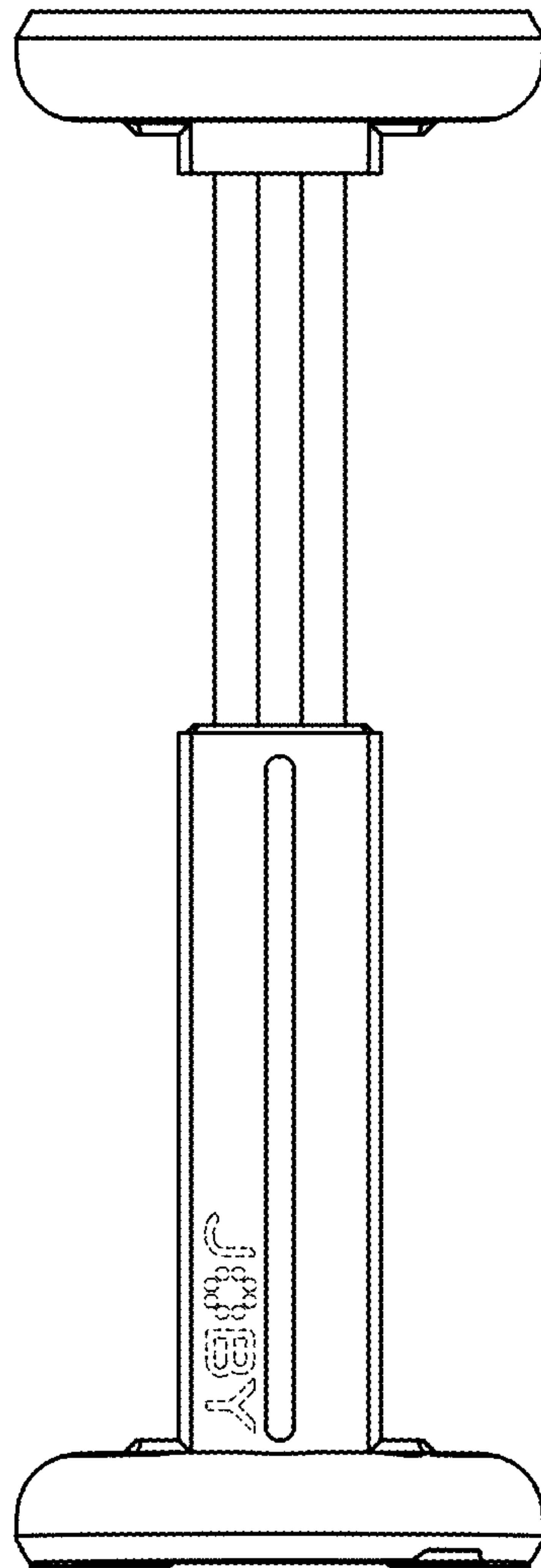


FIG. 9

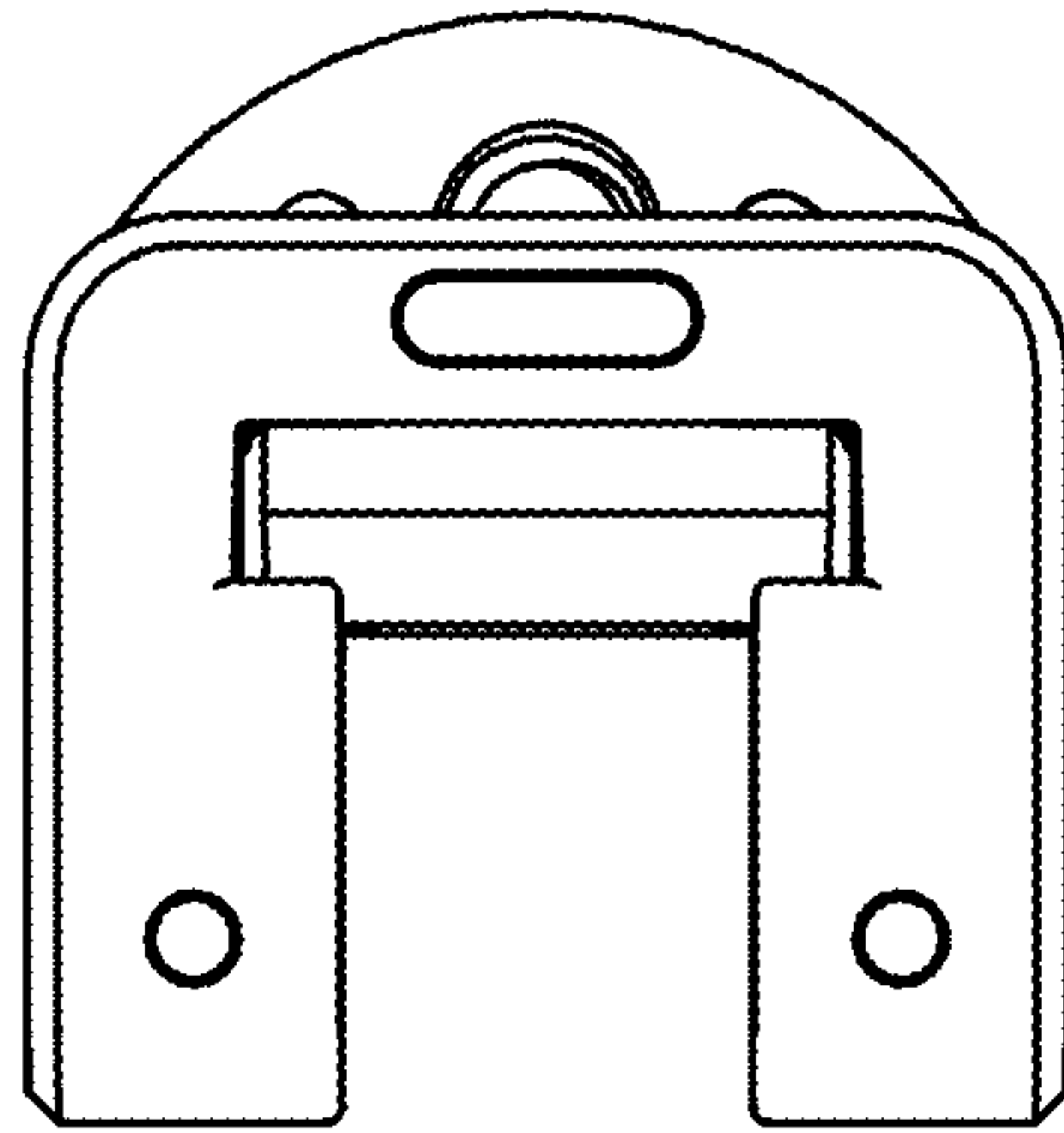


FIG. 10

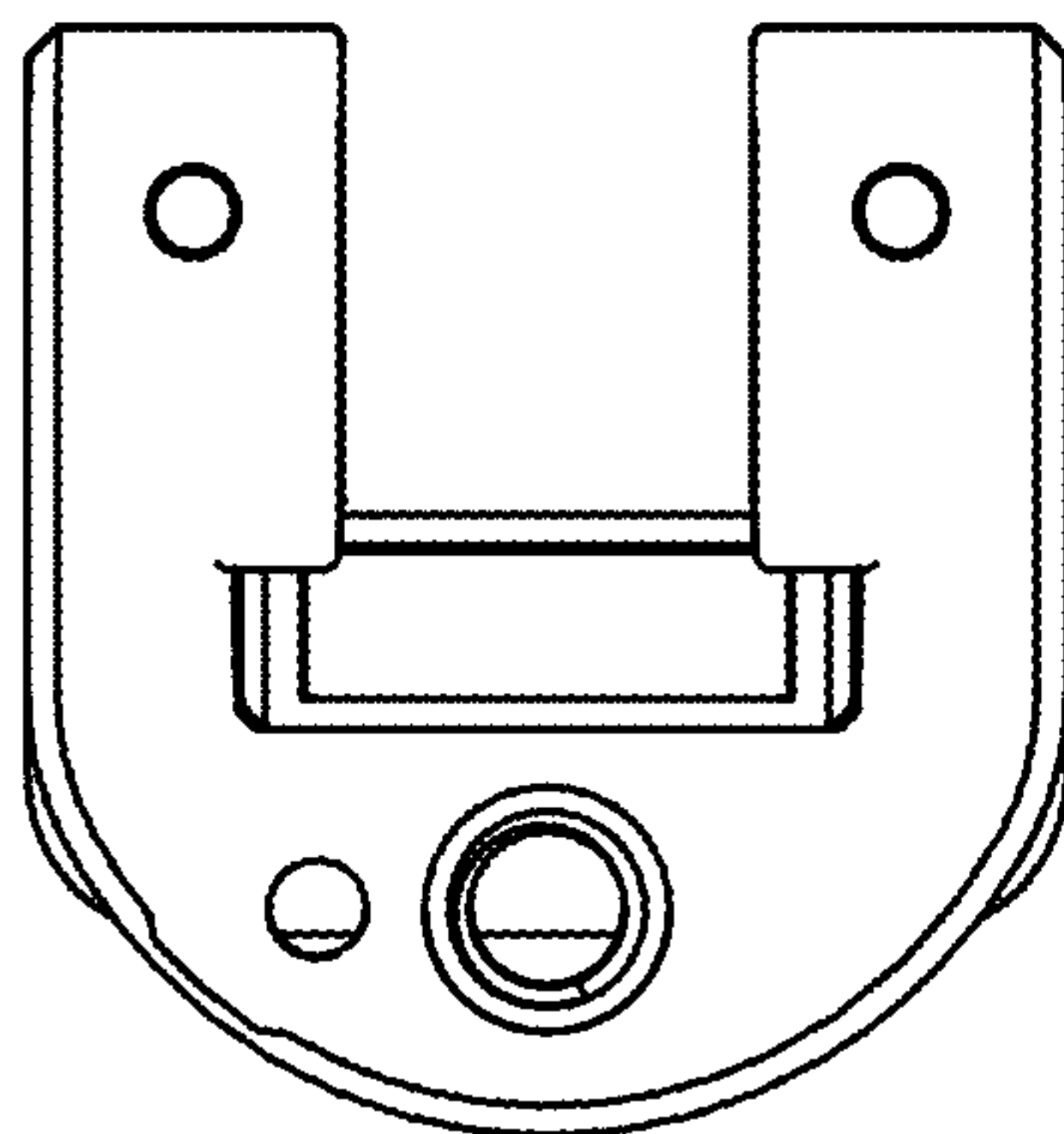


FIG. 11

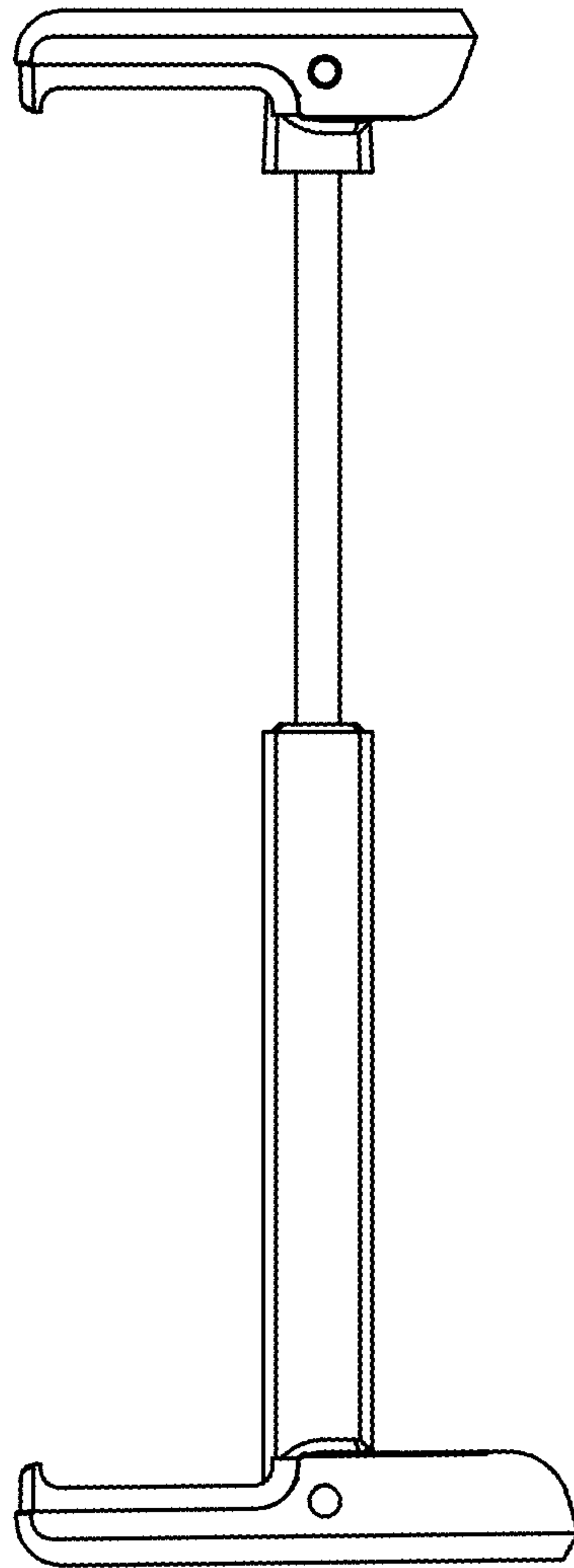


FIG. 12

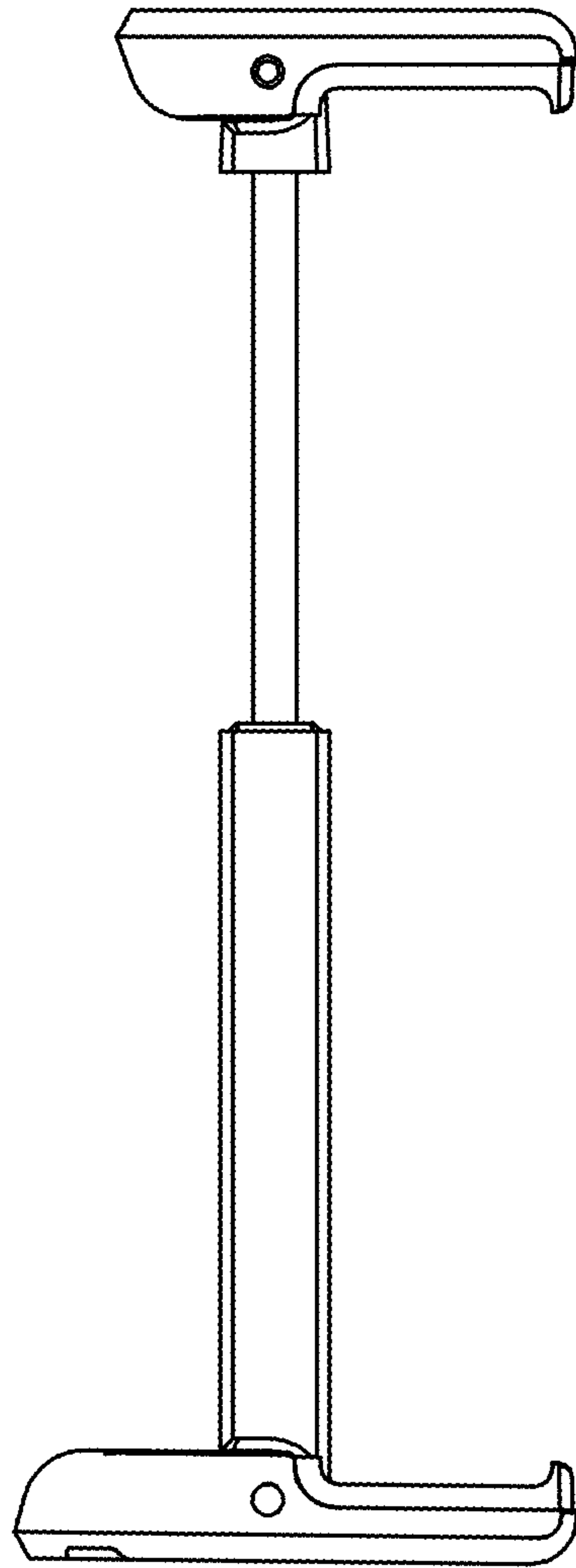


FIG. 13

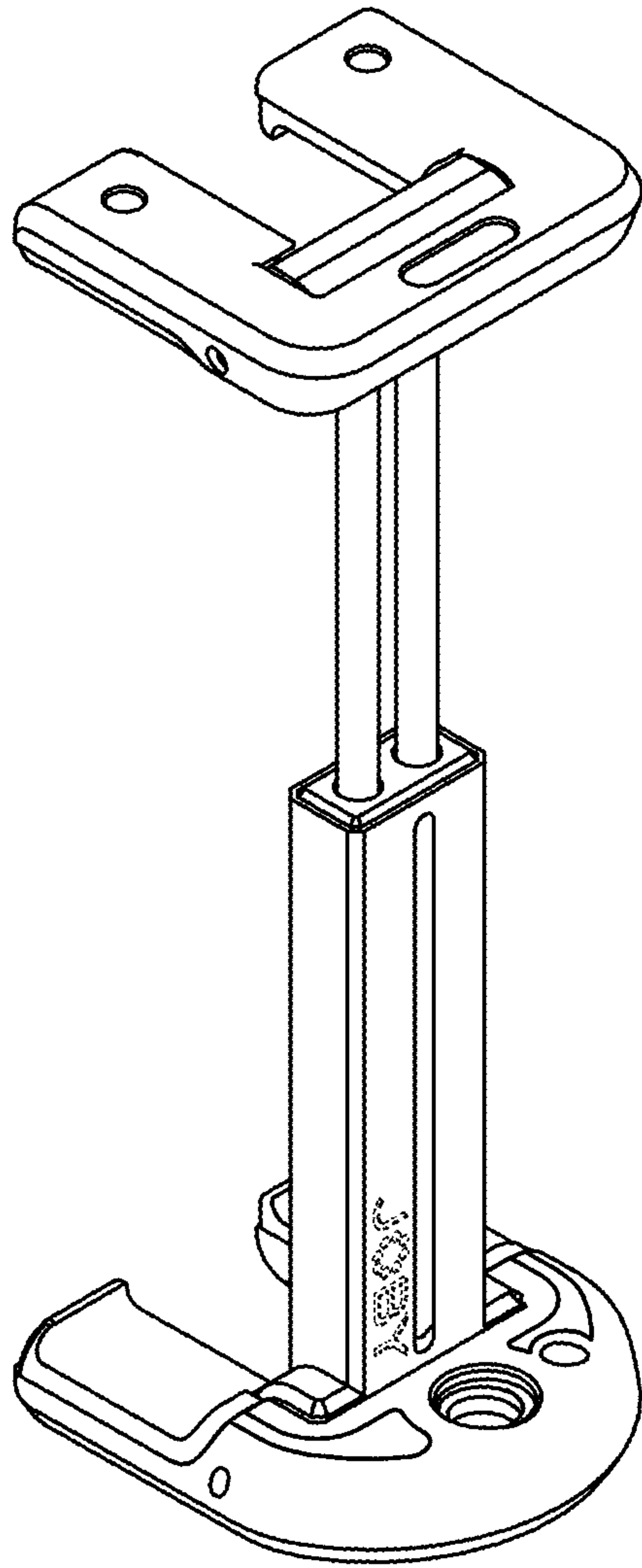


FIG. 14

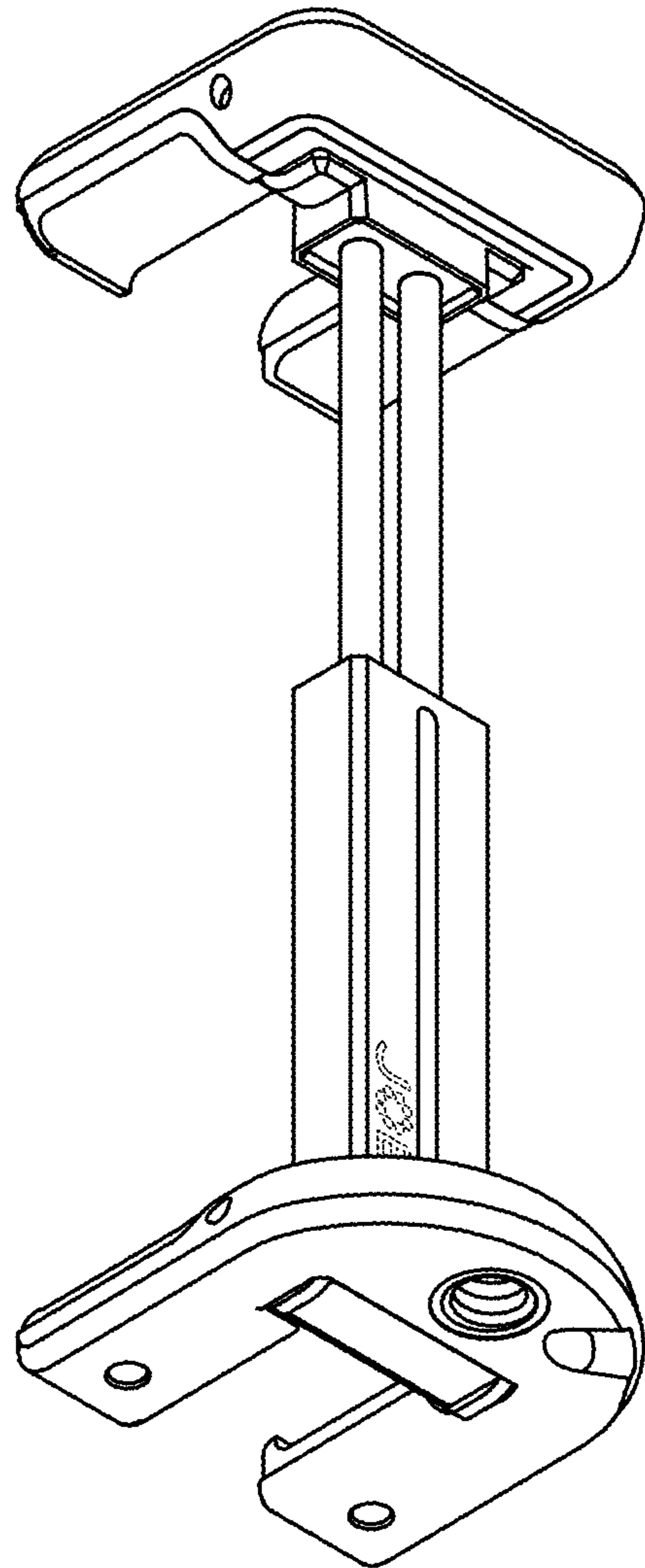


FIG. 15