

US00D829697S

(12) **United States Design Patent**  
**Yaegashi et al.**

(10) **Patent No.:** **US D829,697 S**

(45) **Date of Patent:** **\*\* Oct. 2, 2018**

(54) **WIRELESS COMMUNICATION DEVICE**

(71) Applicant: **Sony Corporation**, Tokyo (JP)

(72) Inventors: **Taku Yaegashi**, Tokyo (JP); **Hidenori Karasawa**, Kanagawa (JP); **Yunha Cho**, Tokyo (JP); **Mirko Goetzen**, Surrey (GB); **Daisuke Ishii**, Surrey (GB)

(73) Assignee: **SONY CORPORATION**, Tokyo (JP)

(\*\*) Term: **14 Years**

(21) Appl. No.: **29/513,379**

(22) Filed: **Dec. 30, 2014**

(51) **LOC (11) Cl.** ..... **14-03**

(52) **U.S. Cl.**  
USPC ..... **D14/240**

(58) **Field of Classification Search**  
USPC ..... D14/485-495, 240, 242, 358, 349, 341;  
D27/191, 186, 187, 189, 194, 172;  
D13/107, 108, 103; D9/426, 423, 432;  
D28/25

CPC ..... G06F 3/0482; G06F 3/04842; G06F  
3/04817; H02J 2007/0062; H04B 1/3883;  
H04B 1/3827

See application file for complete search history.

(56) **References Cited**

**U.S. PATENT DOCUMENTS**

D168,121 S *	11/1952	Rachel	206/236
D214,059 S *	5/1969	Futterer	D13/108
D228,037 S *	7/1973	Wood	D27/187
D246,998 S *	1/1978	Hill	D28/25
D279,181 S *	6/1985	Claxton	D13/107
D284,606 S *	7/1986	Koontz	D27/189
D295,631 S *	5/1988	Wells-Papanek	D14/488
D346,607 S *	5/1994	Bhargava	D14/242
5,437,008 A *	7/1995	Gay	G06T 11/60 345/677
D419,542 S *	1/2000	Hodgson	D14/489

D432,263 S *	10/2000	Issa	D27/187
D446,601 S *	8/2001	Fisher	D27/129
D462,676 S *	9/2002	Sodling	D14/240
D481,379 S *	10/2003	Nagai	D14/240
D514,586 S *	2/2006	Toyoshima	D14/492
7,107,868 B2 *	9/2006	Yone	F16H 59/0204 74/335
D558,972 S *	1/2008	Oh	D3/201
D580,854 S *	11/2008	Kim	D13/108

(Continued)

**OTHER PUBLICATIONS**

Flash Tutorial—Creating Simple Buttons, by Phil, Wayback Machine [online], published Mar. 6, 2012, [retrieved on Dec. 29, 2016]. Retrieved from the Internet <URL: <http://web.archive.org/web/20120306190424/http://www.webwasp.co.uk/tutorials/005/MX02/index.php>>.\*

(Continued)

*Primary Examiner* — Sheryl Lane

*Assistant Examiner* — Nicole Christine Shiflet

(74) *Attorney, Agent, or Firm* — Michael Best and Friedrich LLP

(57) **CLAIM**

The ornamental design for a wireless communication device, as shown and described.

**DESCRIPTION**

FIG. 1 is a perspective view of a wireless communication device showing our new design;

FIG. 2 is a front elevational view thereof;

FIG. 3 is a rear elevational view thereof;

FIG. 4 is a left side elevational view thereof;

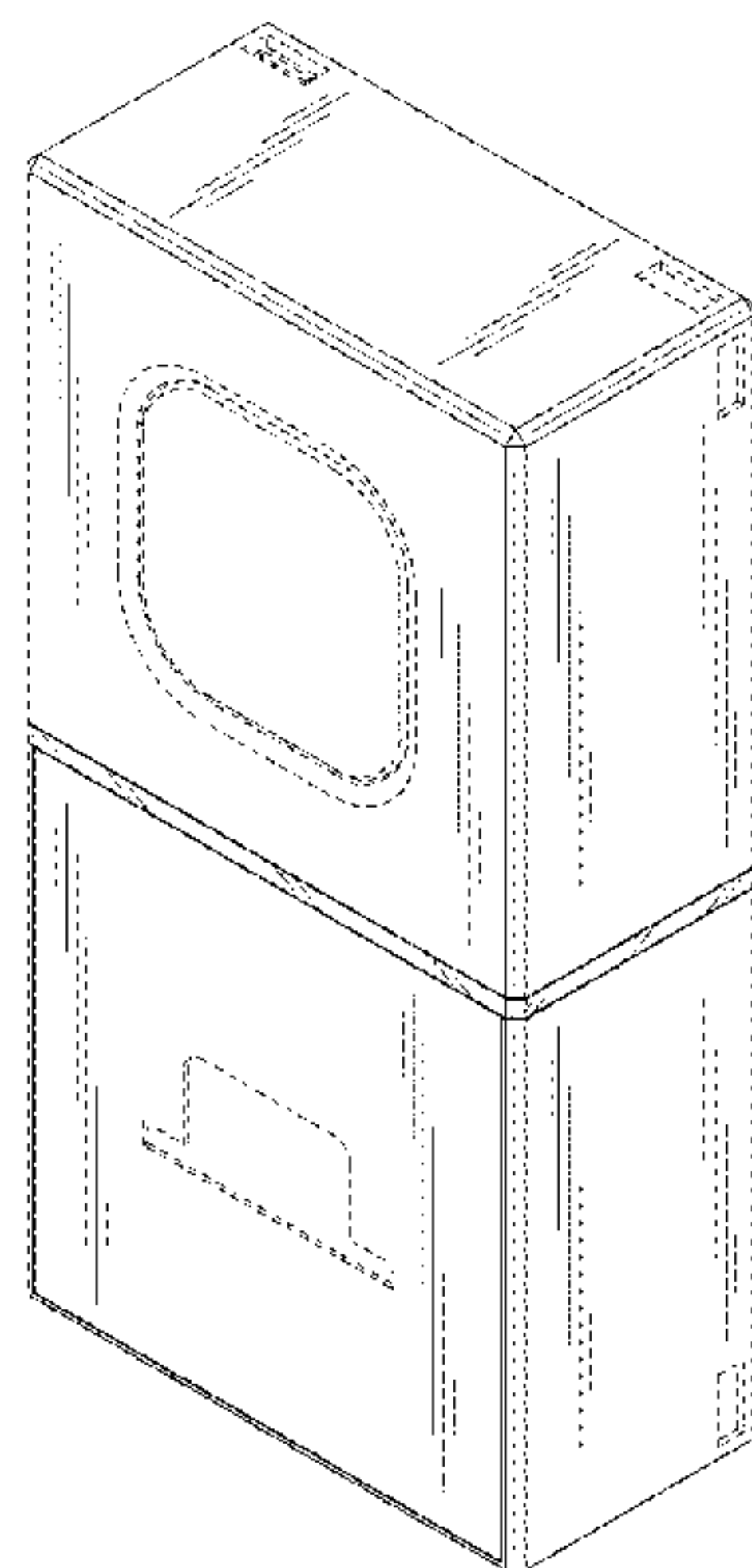
FIG. 5 is a right side elevational view thereof;

FIG. 6 is a top plan view thereof; and,

FIG. 7 is a bottom plan view thereof.

The broken lines showing portions of the wireless communication device form no part of the claimed design.

**1 Claim, 4 Drawing Sheets**



(56)

References Cited

U.S. PATENT DOCUMENTS

D585,367 S \* 1/2009 Dunbar ..... D13/108  
 D594,849 S \* 6/2009 Ko ..... D14/217  
 D618,546 S \* 6/2010 Easterbrook ..... D3/203.5  
 D619,999 S \* 7/2010 Wu ..... D14/240  
 D622,713 S \* 8/2010 Chung ..... D14/242  
 D637,587 S \* 5/2011 Pan ..... D14/242  
 D638,002 S \* 5/2011 Chen ..... D14/242  
 D659,094 S \* 5/2012 Brand ..... D13/108  
 D659,130 S \* 5/2012 Chien ..... D14/138 G  
 D659,637 S \* 5/2012 Hwang ..... D13/108  
 D683,898 S \* 6/2013 Liu ..... D13/108  
 D690,461 S \* 9/2013 Chen ..... D27/187  
 D695,726 S \* 12/2013 Balloch ..... D14/240  
 D702,717 S \* 4/2014 Abratowski ..... D14/489  
 D704,736 S \* 5/2014 Mariet ..... D14/489  
 D706,825 S \* 6/2014 Rhee ..... D14/490  
 D707,255 S \* 6/2014 Jewitt ..... D14/489  
 D718,752 S \* 12/2014 Wang ..... D14/240  
 D719,701 S \* 12/2014 Scatterday ..... D27/189  
 D733,050 S \* 6/2015 Chiang ..... D13/103  
 D734,253 S \* 7/2015 Tinaphong ..... H02J 7/0004  
 D754,920 S \* 4/2016 Domon ..... D27/189  
 D755,717 S \* 5/2016 Rifler ..... D13/108  
 D756,915 S \* 5/2016 Yang ..... D13/108  
 D760,431 S \* 6/2016 Liu ..... D27/189  
 D762,235 S \* 7/2016 Kadosh ..... D14/487  
 D762,696 S \* 8/2016 Chen ..... D14/486

D764,540 S \* 8/2016 Ward ..... D14/489  
 D765,908 S \* 9/2016 Zahr ..... D27/187  
 D768,920 S \* 10/2016 Jones ..... D27/189  
 D770,089 S \* 10/2016 Zahr ..... D27/186  
 D770,090 S \* 10/2016 Zahr ..... D27/187  
 D772,287 S \* 11/2016 Choi ..... D14/489  
 D773,989 S \* 12/2016 Schiff ..... D13/107  
 D778,494 S \* 2/2017 Scott ..... D27/189  
 D793,004 S \* 7/2017 Liu ..... D27/189  
 D811,391 S \* 2/2018 Behar ..... D14/349  
 D812,290 S \* 3/2018 Ward ..... D27/172  
 D814,460 S \* 4/2018 Behar ..... D14/349  
 D815,347 S \* 4/2018 Jones ..... D27/194  
 2014/0053858 A1 \* 2/2014 Liu ..... A24F 15/18  
 131/329

OTHER PUBLICATIONS

3D Buttons Pack, by Trissia, Envato Market [online], published Sep. 13, 2010, [retrieved on Dec. 29, 2016]. Retrieved from the Internet <URL: <https://codecanyon.net/item/3d-buttons-pack/5566975>>.\*  
 Stop Being so Square, by Sarita Harbour, WebdesignerDepot [online], published Nov. 6, 2012, [retrieved on Dec. 29, 2016]. Retrieved from the Internet <URL: <http://www.webdesignerdepot.com/2012/11/stop-being-so-square/>>.\*  
 Rcons Basic, by Ryazancev, Iconfinder [online], published Jul. 16, 2014, [retrieved on Dec. 29, 2016]. Retrieved from the Internet <URL: <https://www.iconfinder.com/iconsets/rcons-basic>>.\*

\* cited by examiner

FIG.1

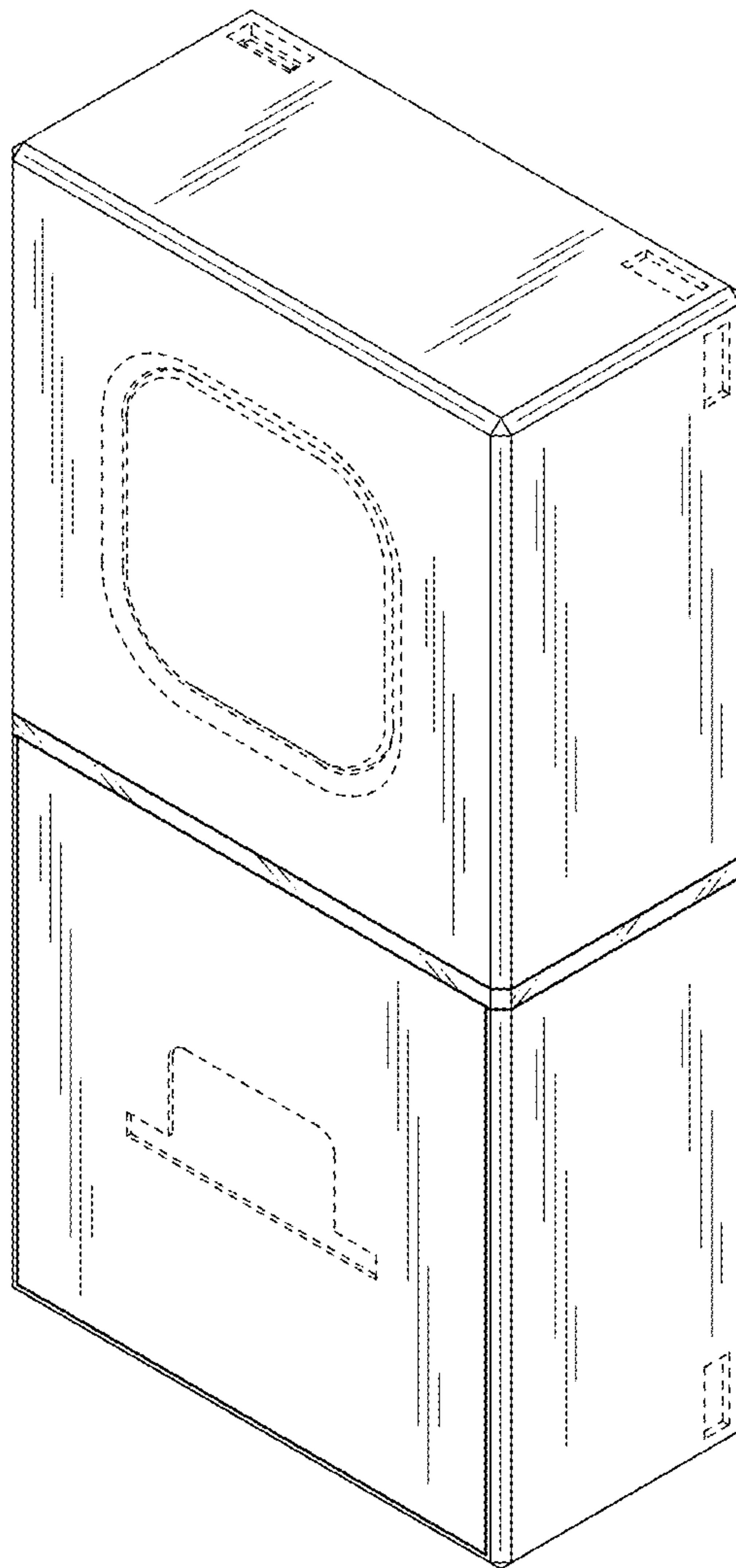


FIG.3

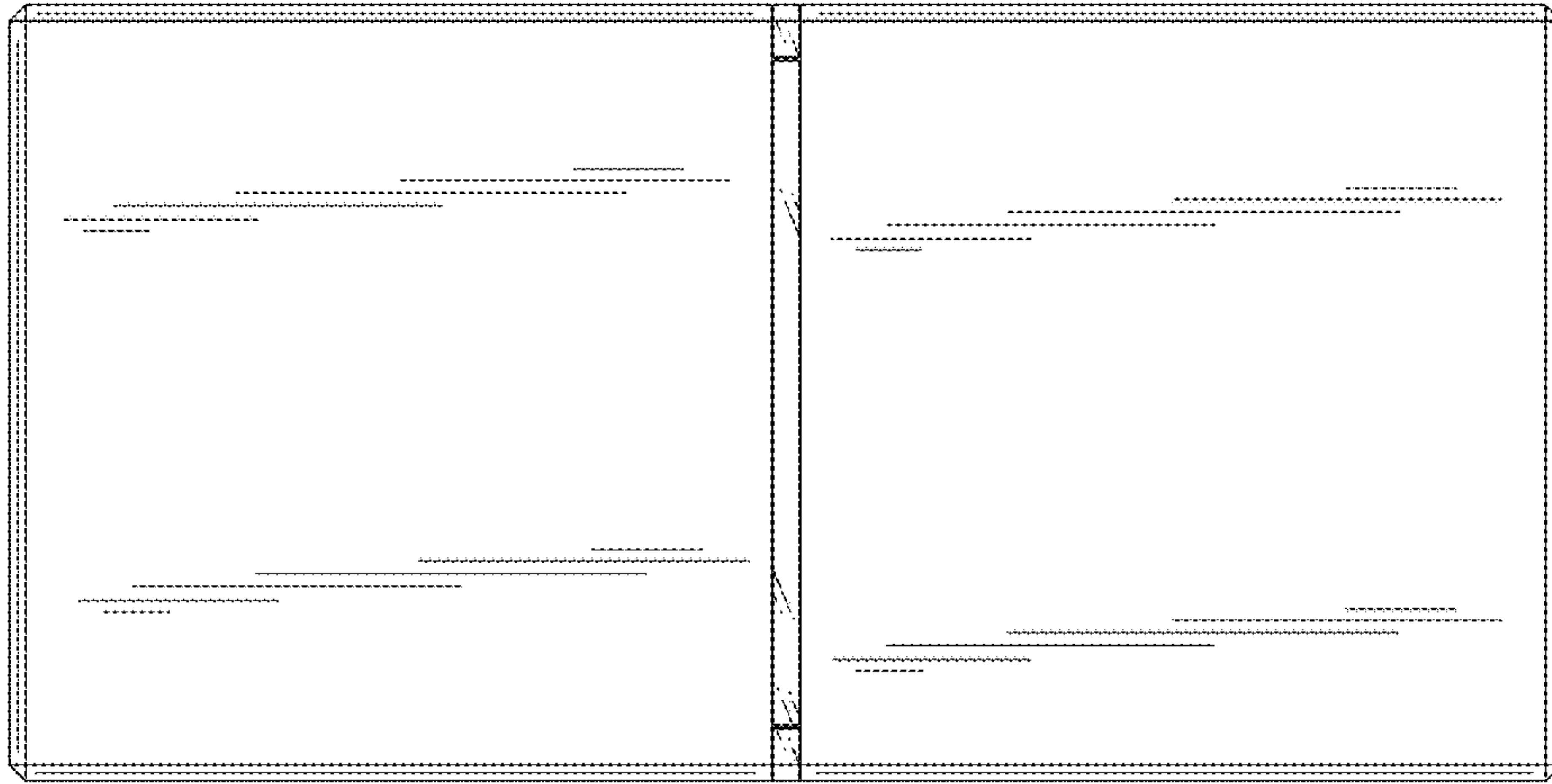


FIG.2

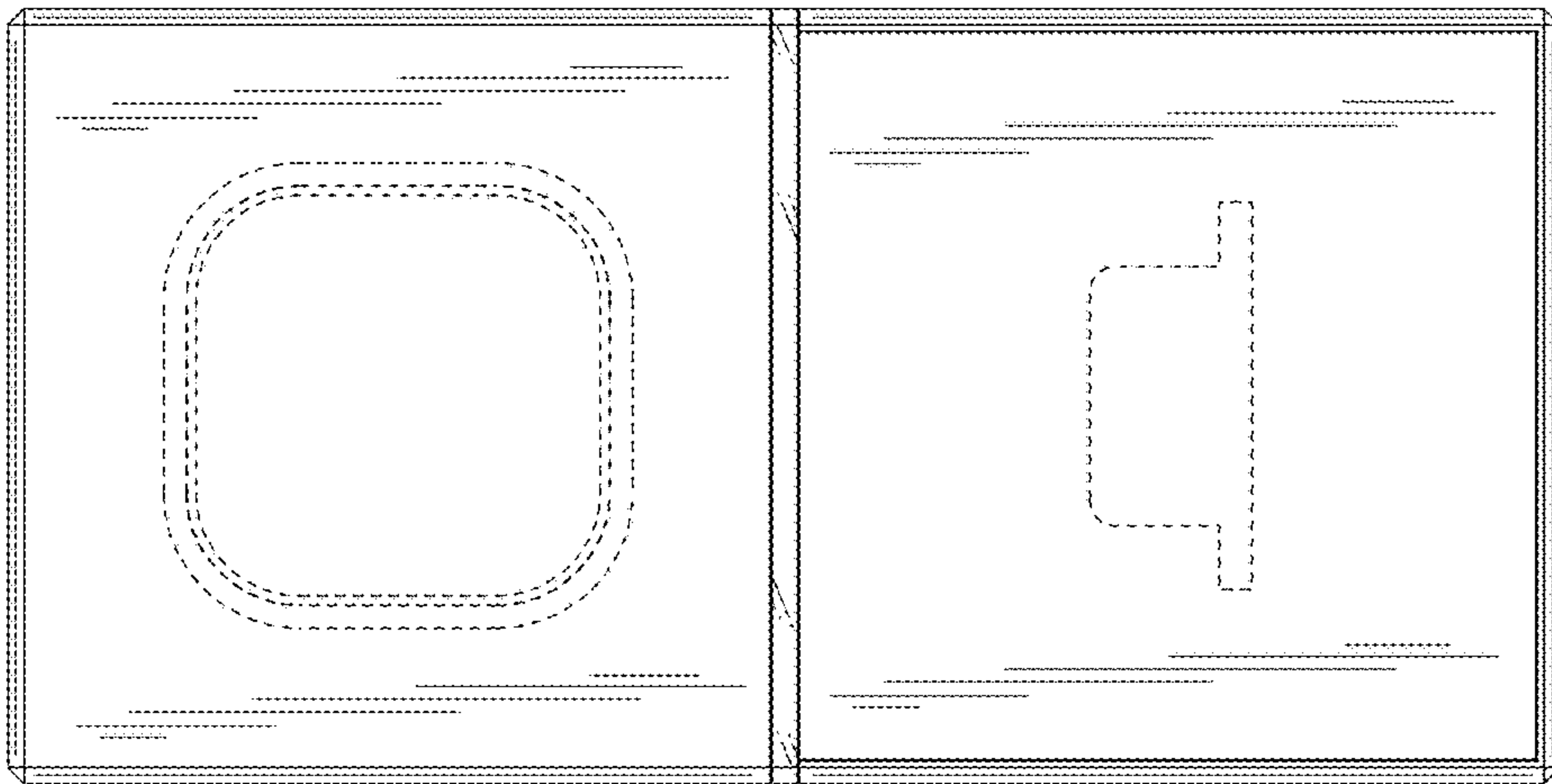




FIG.5

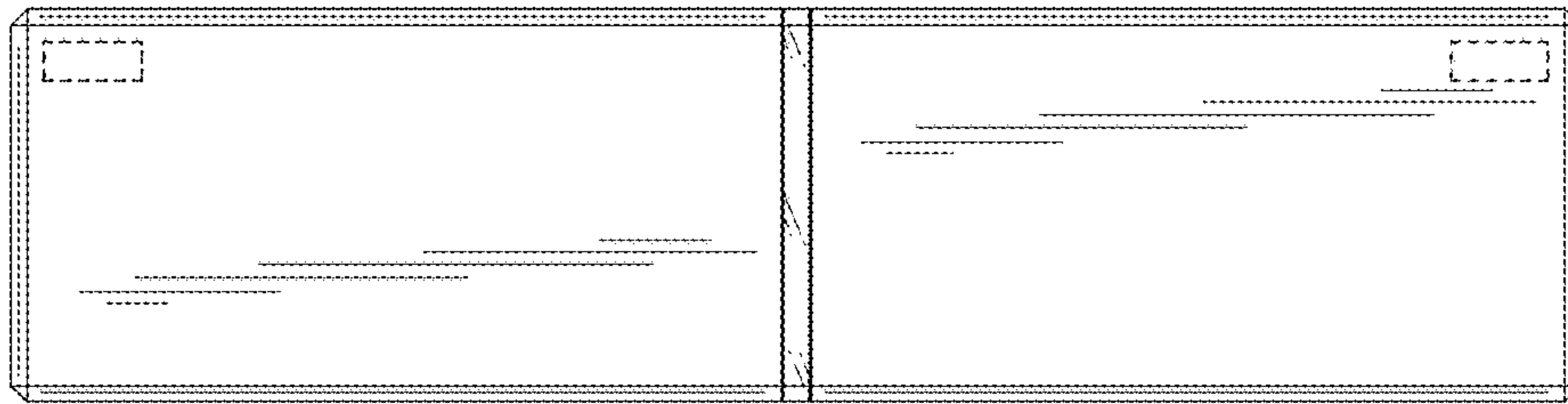


FIG.4

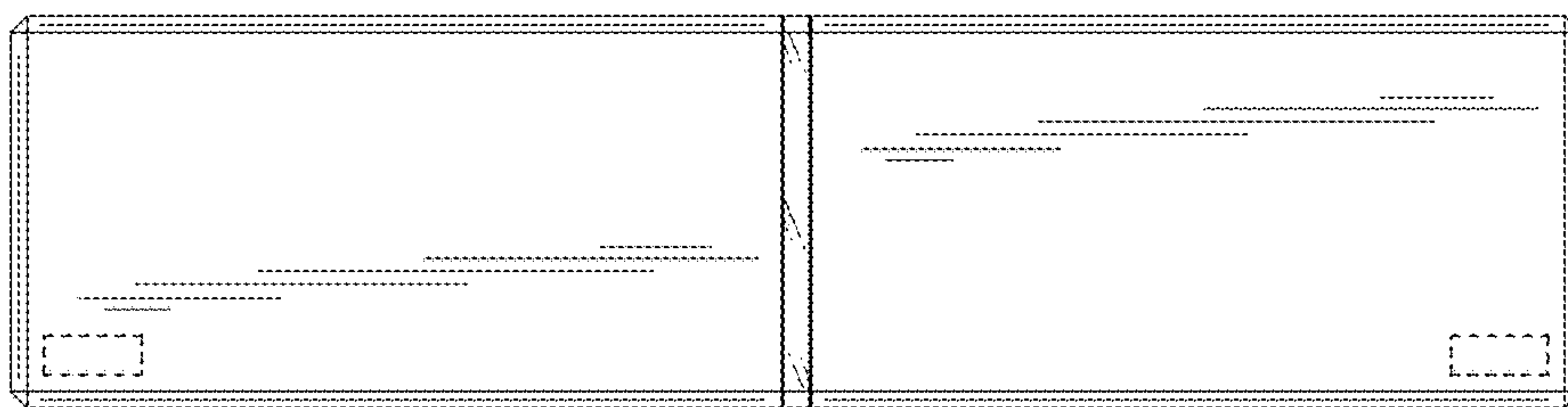


FIG.6

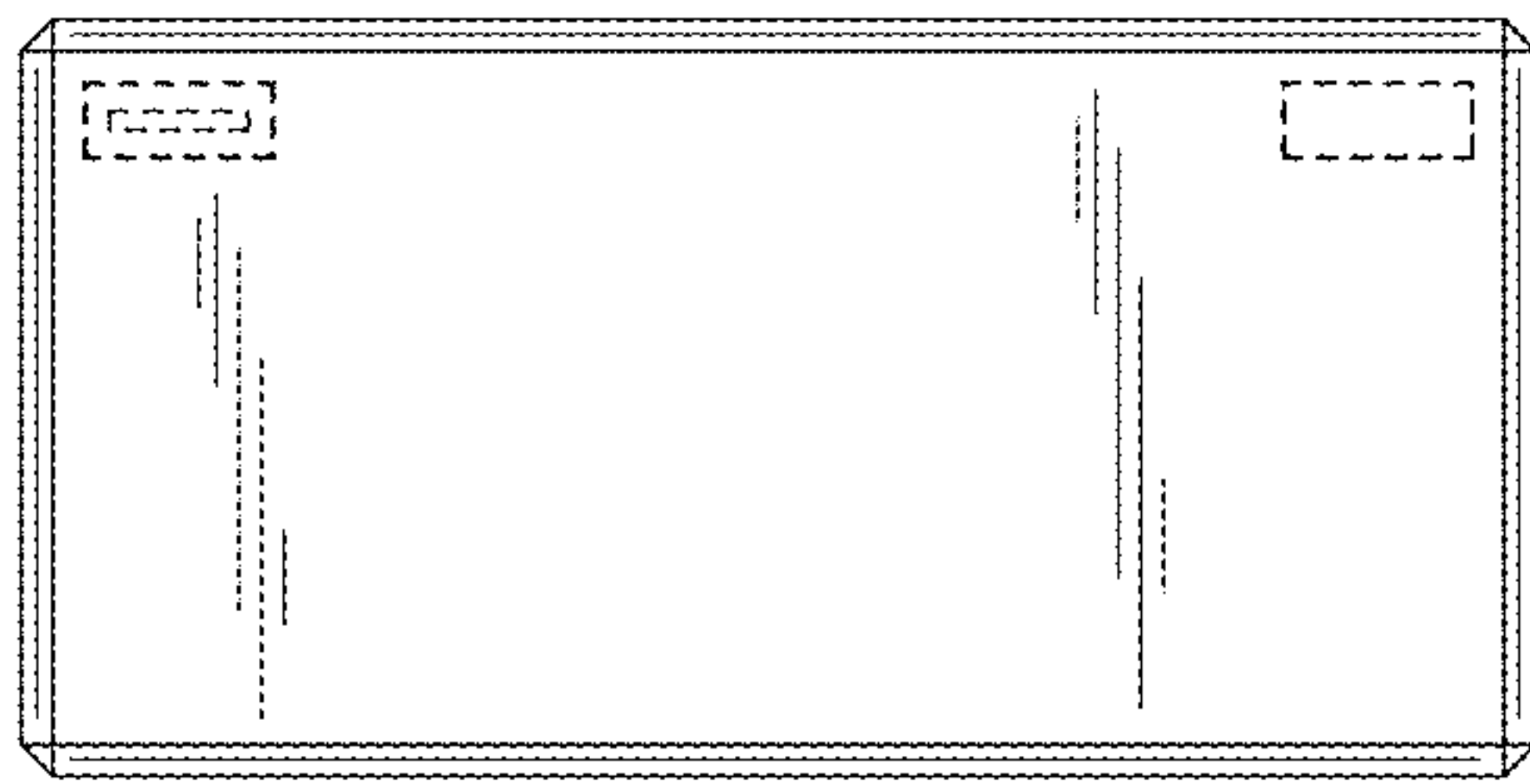


FIG.7

