



US00D829695S

(12) **United States Design Patent** (10) **Patent No.:** **US D829,695 S**  
**Wu** (45) **Date of Patent:** **\*\* Oct. 2, 2018**

- (54) **HDTV ANTENNA**
- (71) Applicant: **Shenzhen BITECA Electron Co., Ltd.**,  
Shenzhen, Guangdong (CN)
- (72) Inventor: **Fang Wu**, Guangdong (CN)
- (73) Assignee: **Shenzhen BITECA Electron Co., Ltd.**,  
Shenzhen (CN)
- (\*\*) Term: **15 Years**
- (21) Appl. No.: **29/610,211**
- (22) Filed: **Jul. 10, 2017**
- (51) **LOC (11) Cl.** ..... **14-03**
- (52) **U.S. Cl.**  
USPC ..... **D14/230**
- (58) **Field of Classification Search**  
USPC ..... D14/230-238, 203.6, 204, 216, 221,  
D14/238.1, 240, 242, 299, 343, 358, 509;  
D13/182  
CPC ..... H01Q 7/00; H01Q 13/10; H01Q 9/285;  
H01Q 19/30; H01Q 19/12; H01Q 1/36;  
H01Q 1/38; H01Q 1/0475; H01Q 1/034;  
H05K 11/00; G05D 1/0234; G06K  
19/07749  
See application file for complete search history.

(56) **References Cited**  
U.S. PATENT DOCUMENTS

D211,179 S *	5/1968	Rosenberry .....	D14/234
D612,370 S *	3/2010	Suleiman .....	D14/234
D612,371 S *	3/2010	Suleiman .....	D14/234
D623,175 S *	9/2010	Suleiman .....	D14/230
D656,131 S *	3/2012	Suleiman .....	D14/230
D665,385 S *	8/2012	Conrad .....	D14/230

D754,641 S *	4/2016	Suleiman .....	D14/230
D806,689 S *	1/2018	Deng .....	D14/234
2010/0302118 A1 *	12/2010	Suleiman .....	H01Q 1/12 343/808
2012/0181569 A1 *	7/2012	Choi .....	H01L 33/62 257/99

**OTHER PUBLICATIONS**

Amplifier TV Antenna, online, no post date available, <URL: <http://www.globalsources.com/gsol/I/Indoor-TV/p/sm/1159722074.htm#1159722074>>, [site visited May 18, 2018].\*  
Wsky 60-100 Miles Transparent Digital HDTV Antenna, online, date first available Mar. 23, 2017, <URL: <https://www.amazon.com/dp/B076DCXBY4/>>, [site visited May 21, 2018].\*

\* cited by examiner

*Primary Examiner* — Jeffrey D Asch  
*Assistant Examiner* — Rebekah A Caruso

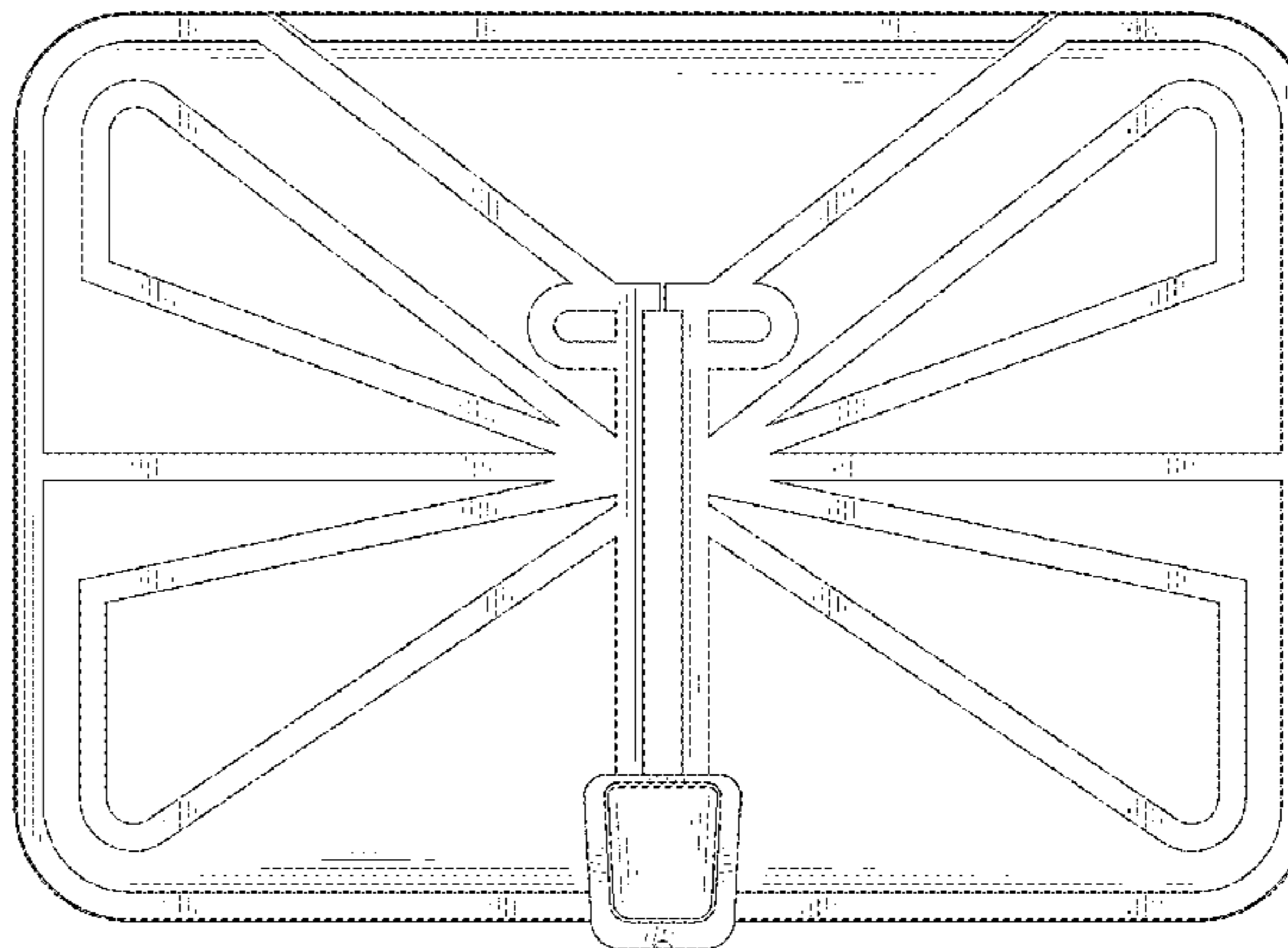
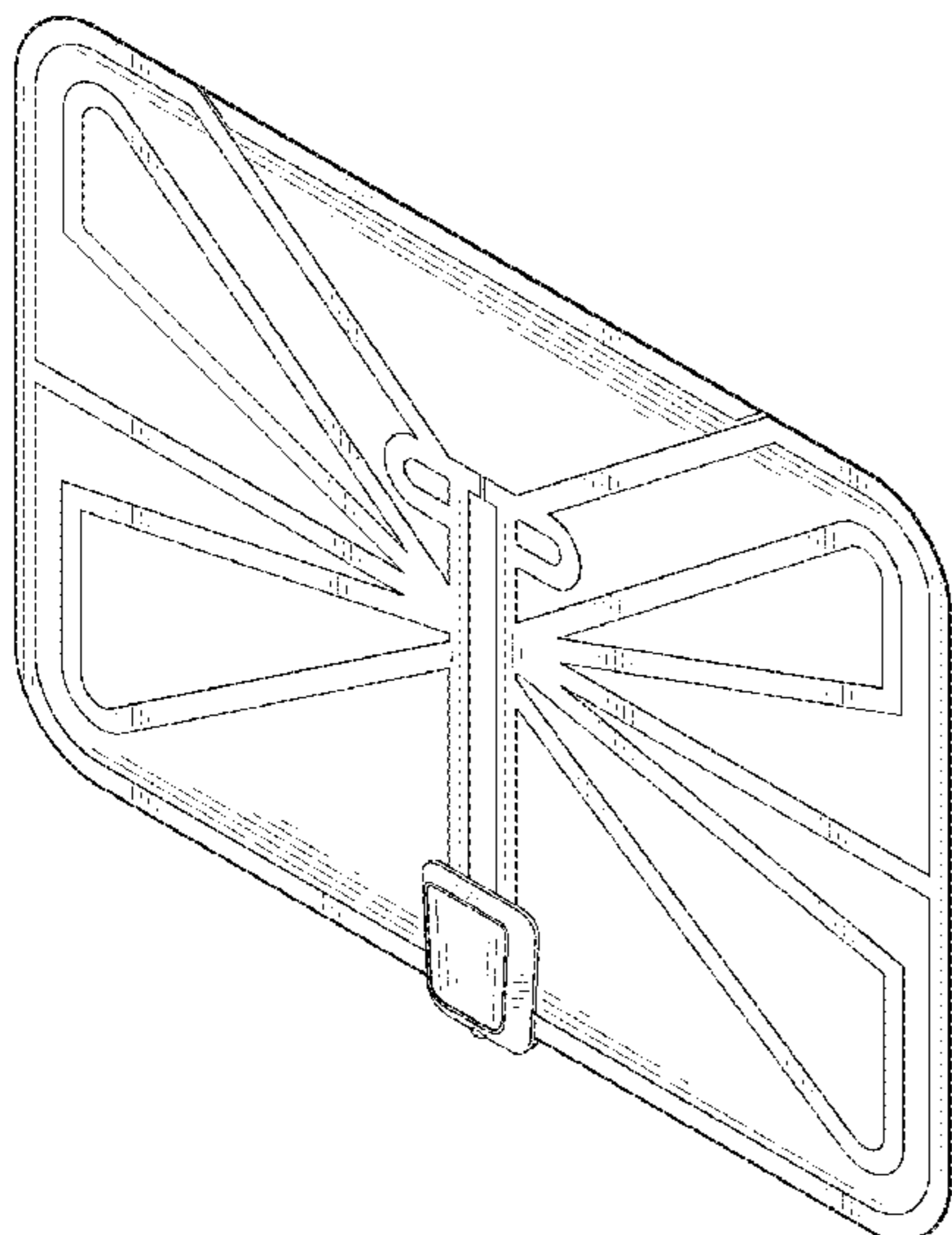
(57) **CLAIM**

The ornamental design for an HDTV antenna, as shown and described.

**DESCRIPTION**

FIG. 1 is a first perspective view of an HDTV antenna showing my new design;  
FIG. 2 is a second perspective view thereof;  
FIG. 3 is a front elevational view thereof;  
FIG. 4 is a rear elevational view thereof;  
FIG. 5 is a left side view thereof;  
FIG. 6 is a right side view thereof;  
FIG. 7 is a top plan view thereof;  
FIG. 8 is a bottom plan view thereof;  
FIG. 9 is an enlarged view of portion 9 of FIG. 2; and,  
FIG. 10 is an enlarged view of portion 10 of FIG. 5.

**1 Claim, 10 Drawing Sheets**



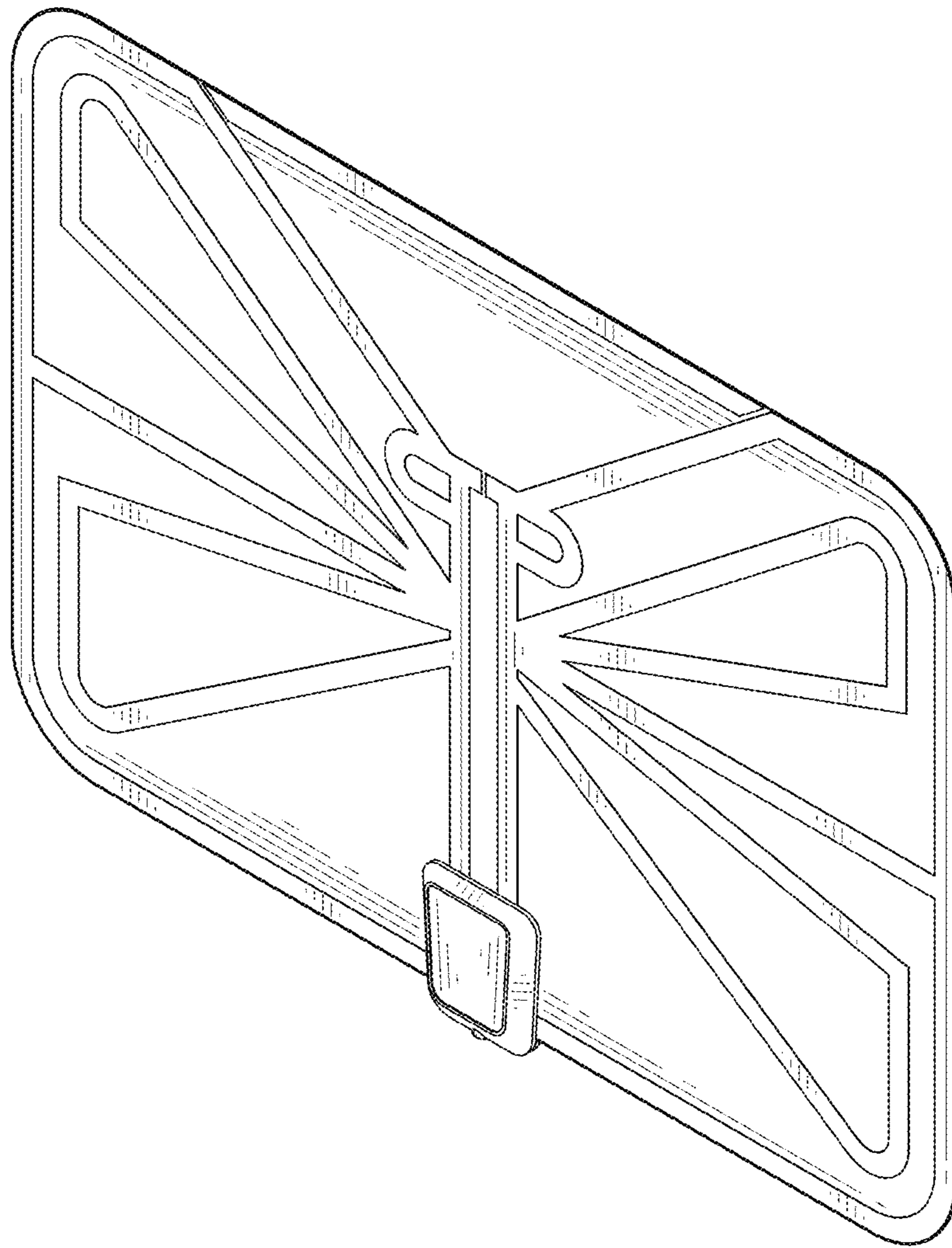


FIG. 1

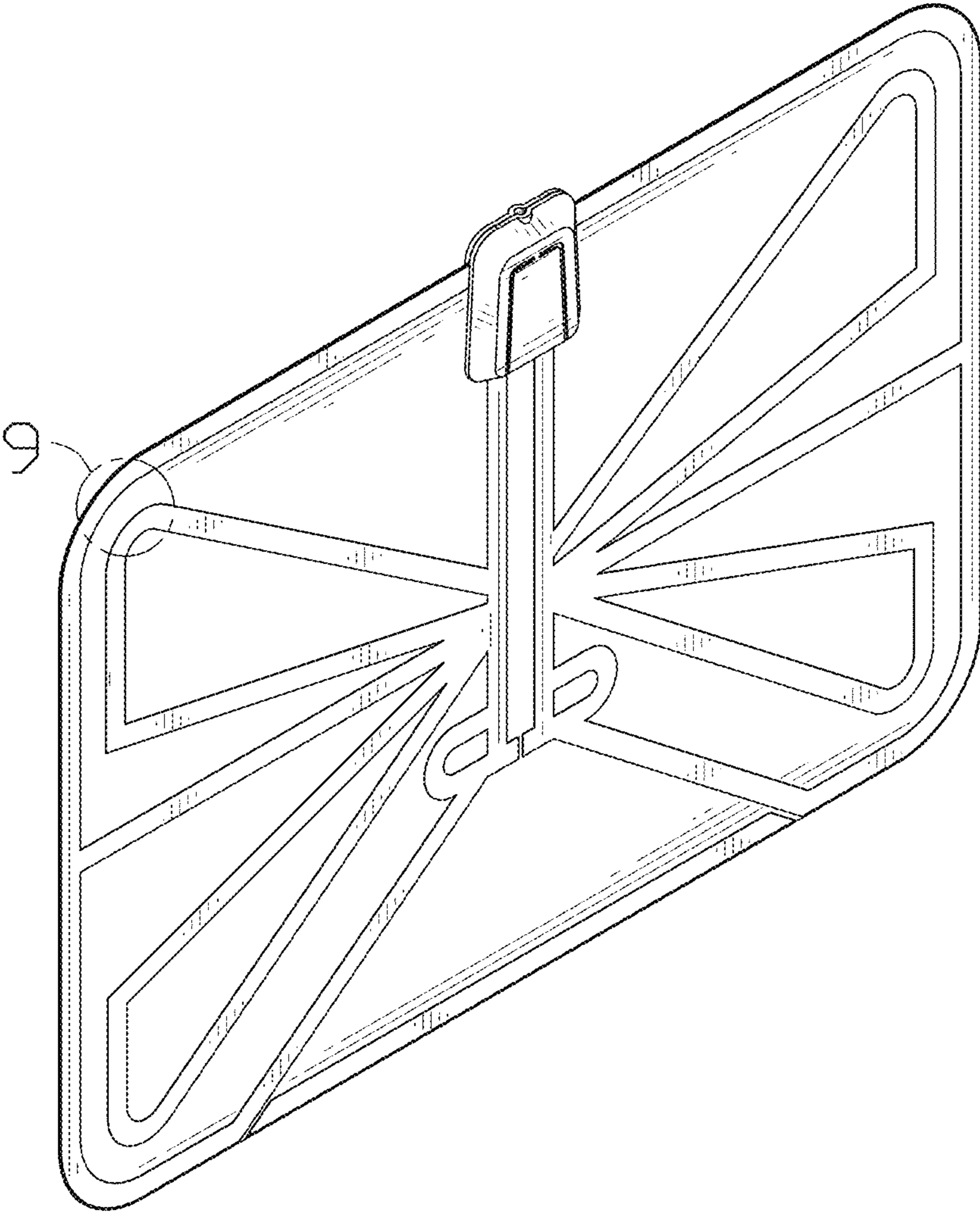


FIG. 2

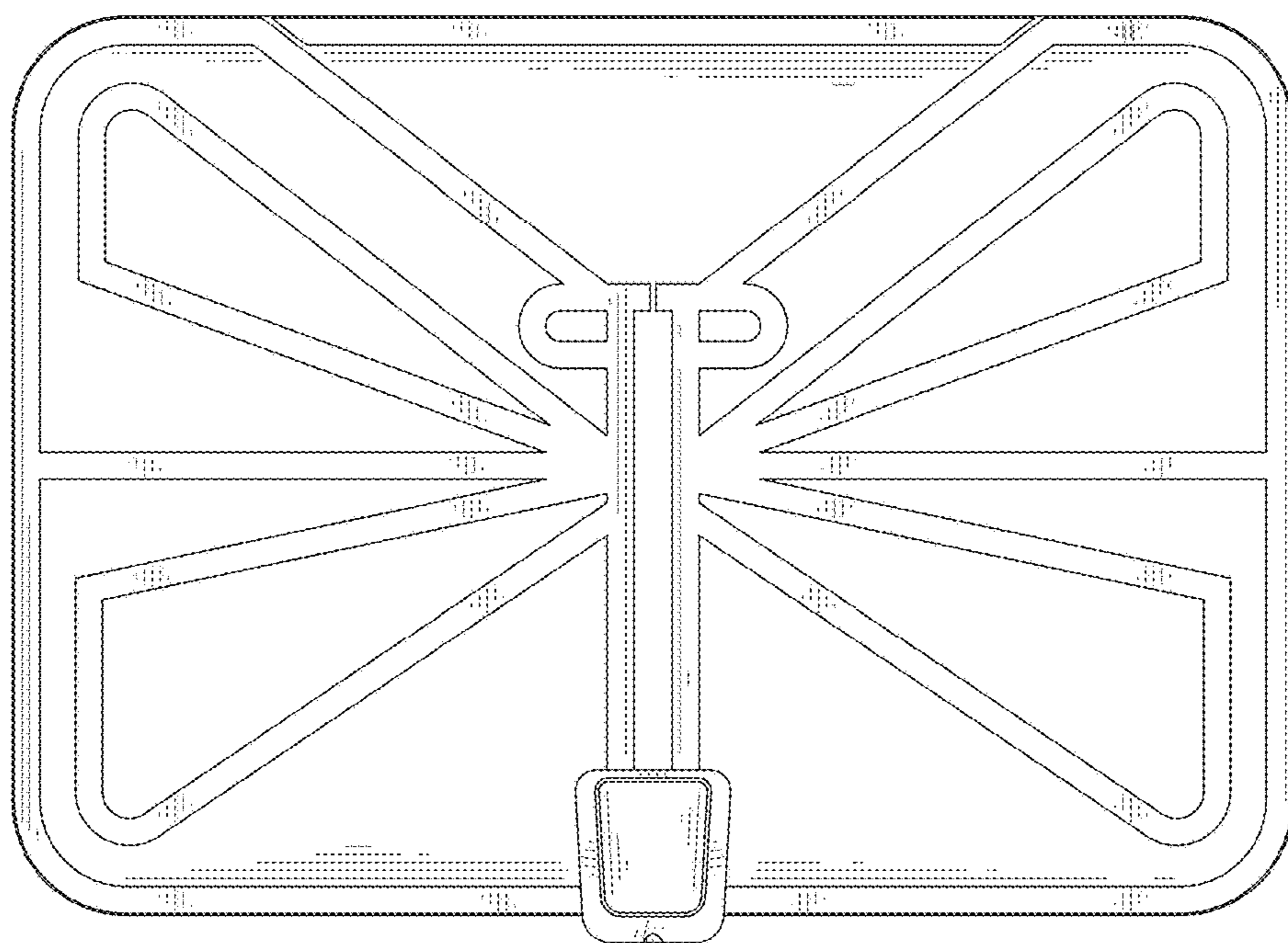


FIG. 3

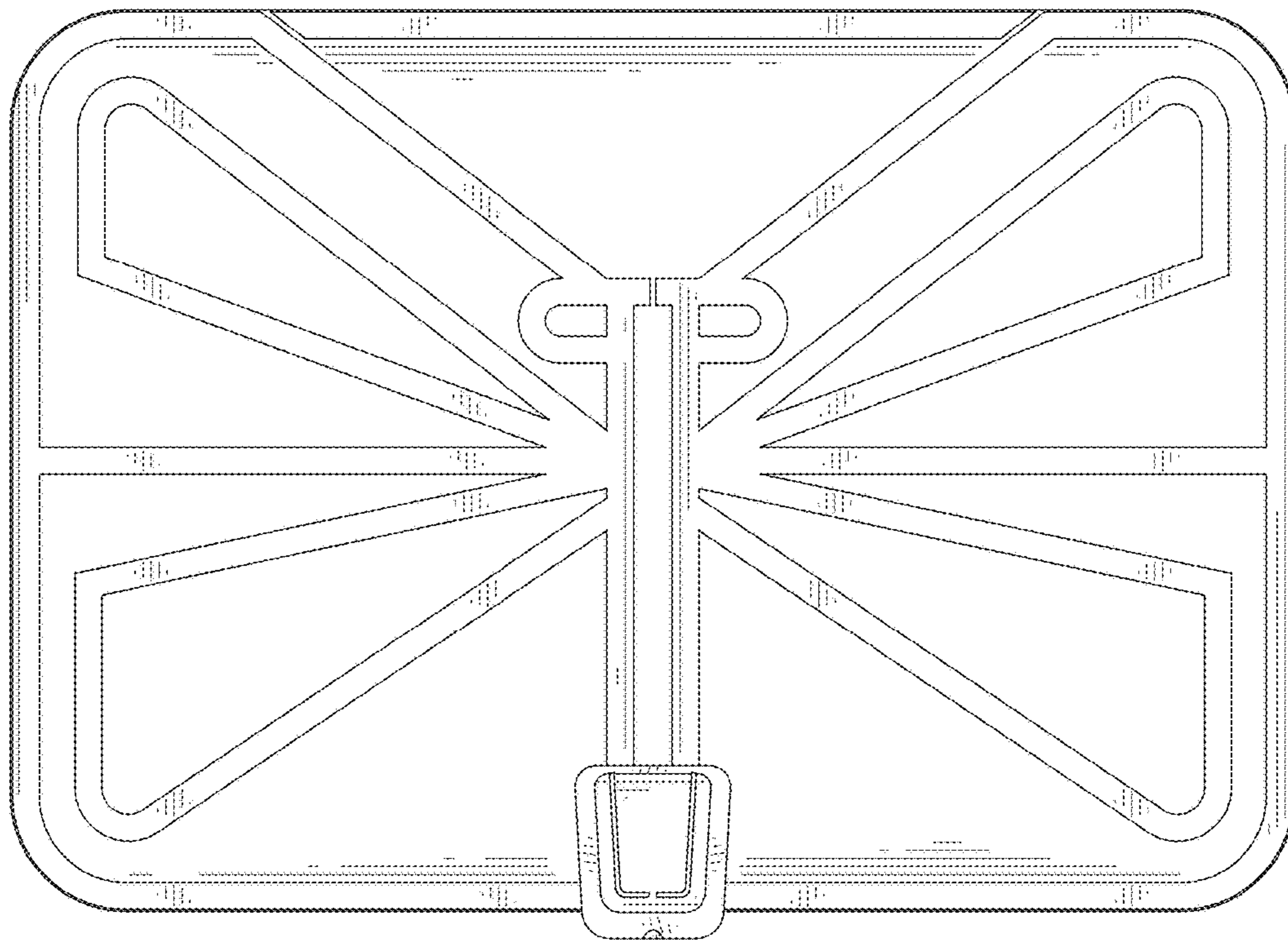


FIG. 4



FIG. 5



FIG. 6



FIG. 7



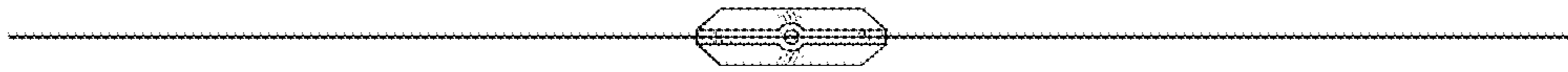


FIG. 8

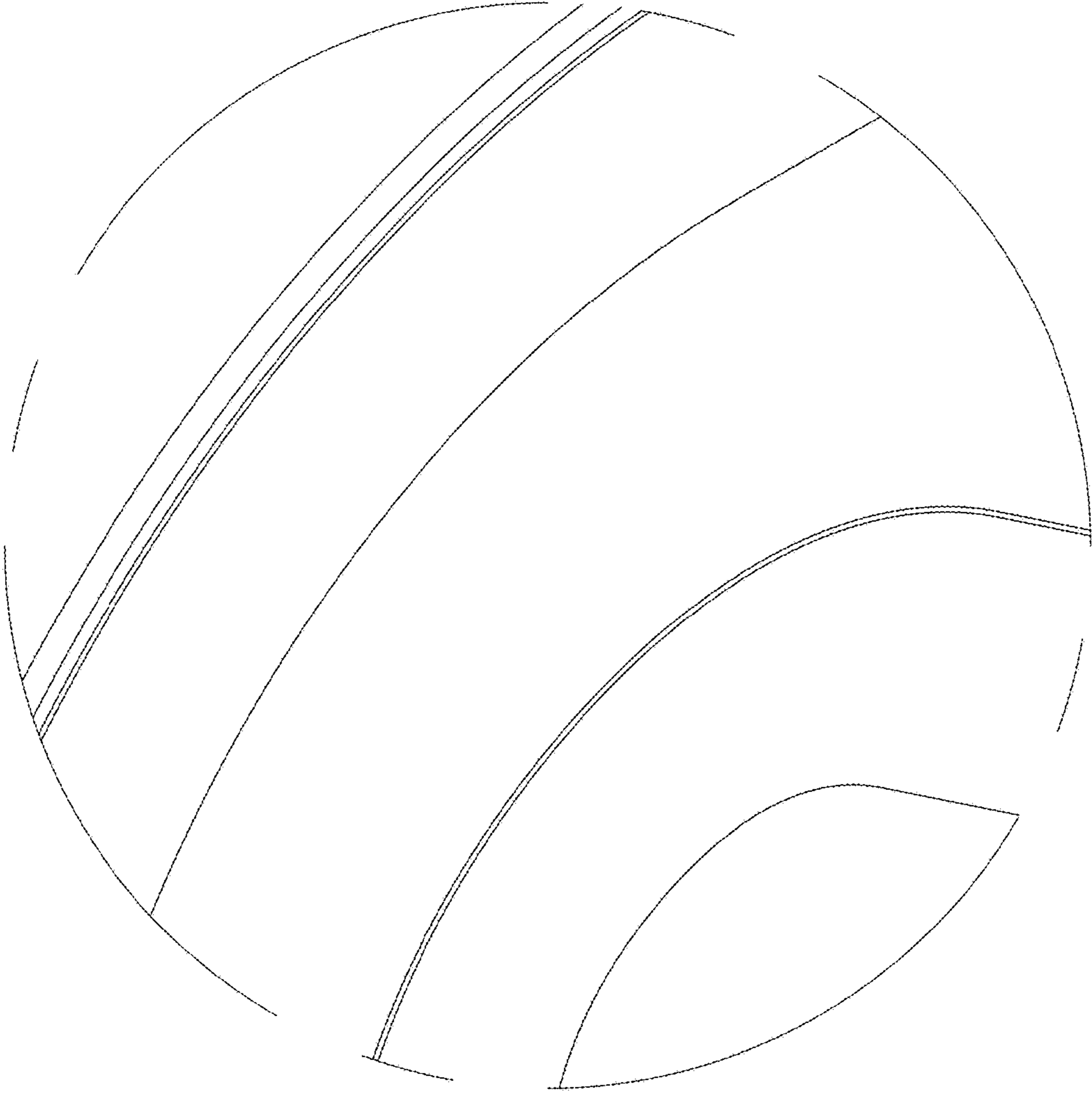


FIG. 9

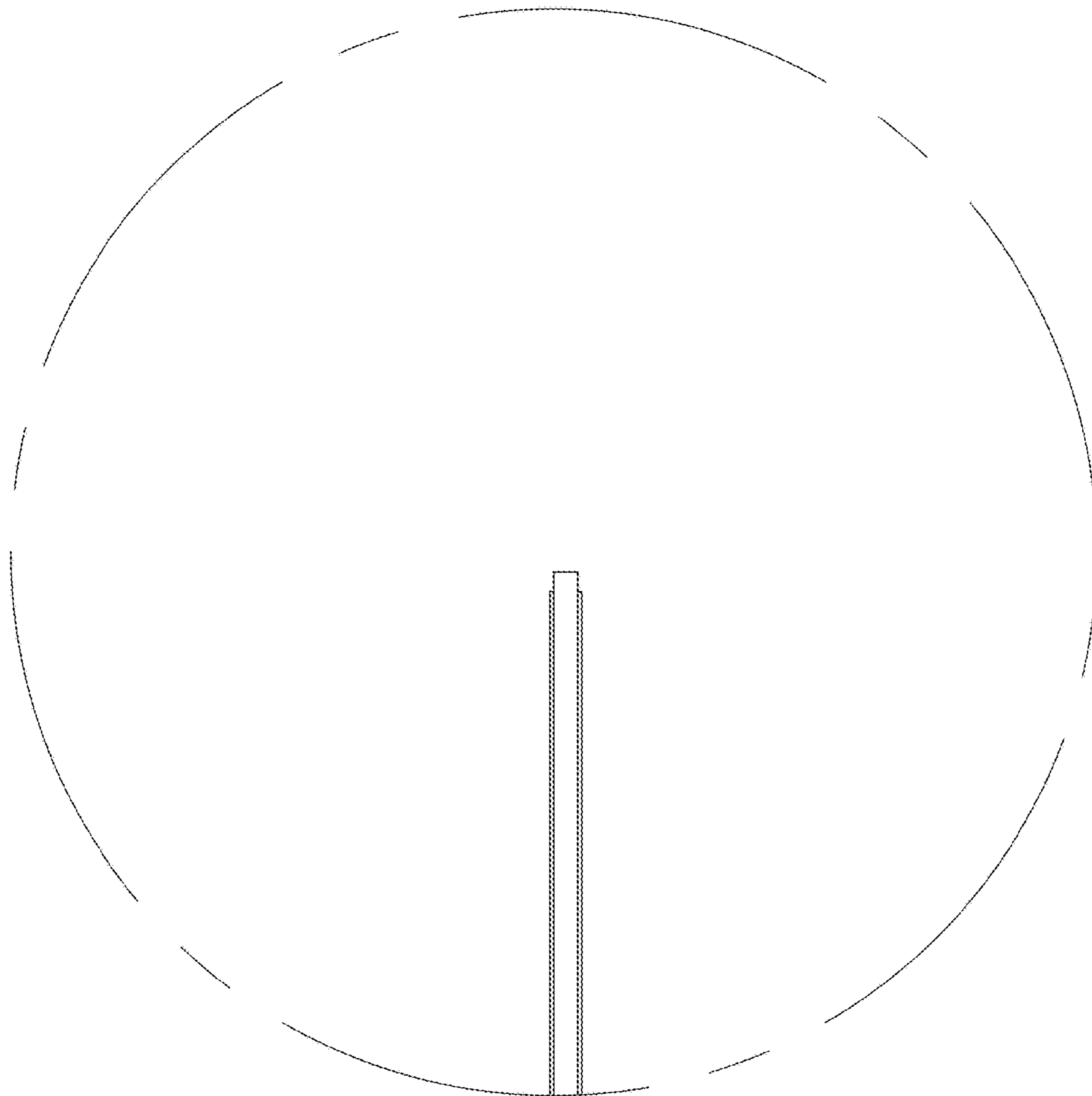


FIG. 10