

US00D829694S

(12) **United States Design Patent**  
**Yang**

(10) **Patent No.:** **US D829,694 S**

(45) **Date of Patent:** **\*\* Oct. 2, 2018**

(54) **ANTENNA**

(71) Applicant: **SHENZHEN ANTOP TECHNOLOGY LIMITED**, Shenzhen (CN)

(72) Inventor: **Ruidian Yang**, Shenzhen (CN)

(73) Assignee: **SHENZHEN ANTOP TECHNOLOGY LIMITED**, Shenzhen (CN)

(\*\*) Term: **15 Years**

(21) Appl. No.: **29/604,986**

(22) Filed: **May 22, 2017**

(51) **LOC (11) Cl.** ..... **14-03**

(52) **U.S. Cl.**  
USPC ..... **D14/230**

(58) **Field of Classification Search**  
USPC ..... D14/230–238, 203.6, 204, 216, 221, D14/238.1, 240, 242, 299, 343, 358, 509; D21/301, 390, 437, 441, 443; D6/349, D6/352, 355, 403, 693, 697  
CPC ..... H01Q 7/00; H01Q 13/10; H01Q 9/285; H01Q 19/30; H01Q 19/12; H01Q 1/36; H01Q 1/38; H01Q 1/0475; H01Q 1/034; H05K 11/00; G05D 1/0234; G06K 19/07749

See application file for complete search history.

(56) **References Cited**

**U.S. PATENT DOCUMENTS**

D132,380 S \* 5/1942 Page ..... 343/872  
D275,283 S \* 8/1984 Nichols ..... D14/231

D401,580 S \* 11/1998 Goto ..... D14/155  
D425,516 S \* 5/2000 Heiligenstein ..... D14/238  
D440,961 S \* 4/2001 Inoue ..... D14/230  
D440,965 S \* 4/2001 Inoue ..... 343/834  
D454,555 S \* 3/2002 Comisky ..... D14/230  
D463,408 S \* 9/2002 Comisky ..... D14/231  
D596,169 S \* 7/2009 Bicket ..... D14/240  
D673,534 S \* 1/2013 Bailey ..... D14/230  
D691,599 S \* 10/2013 Mukaide ..... D14/230  
D807,859 S \* 1/2018 Wagner ..... D14/215  
D815,623 S \* 4/2018 Yang ..... D14/230

\* cited by examiner

*Primary Examiner* — Jeffrey David Asch

*Assistant Examiner* — Rebekah A Caruso

(74) *Attorney, Agent, or Firm* — Muncy, Geissler, Olds & Lowe, P.C.

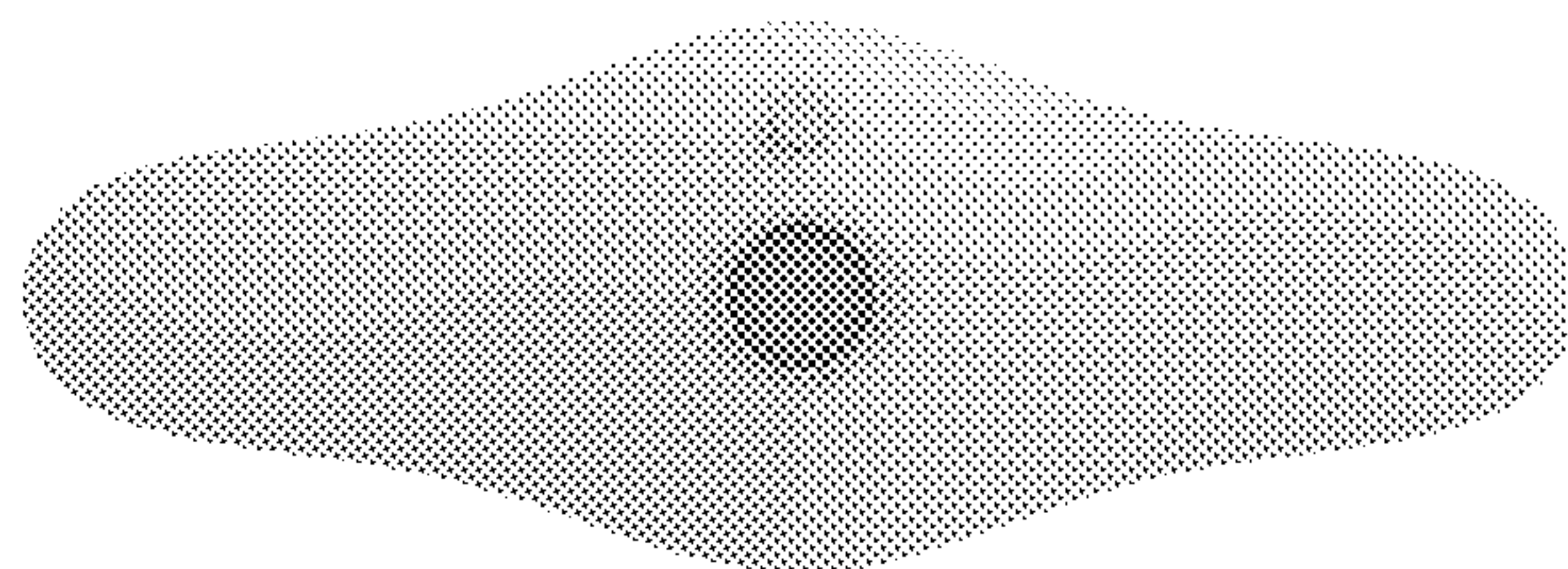
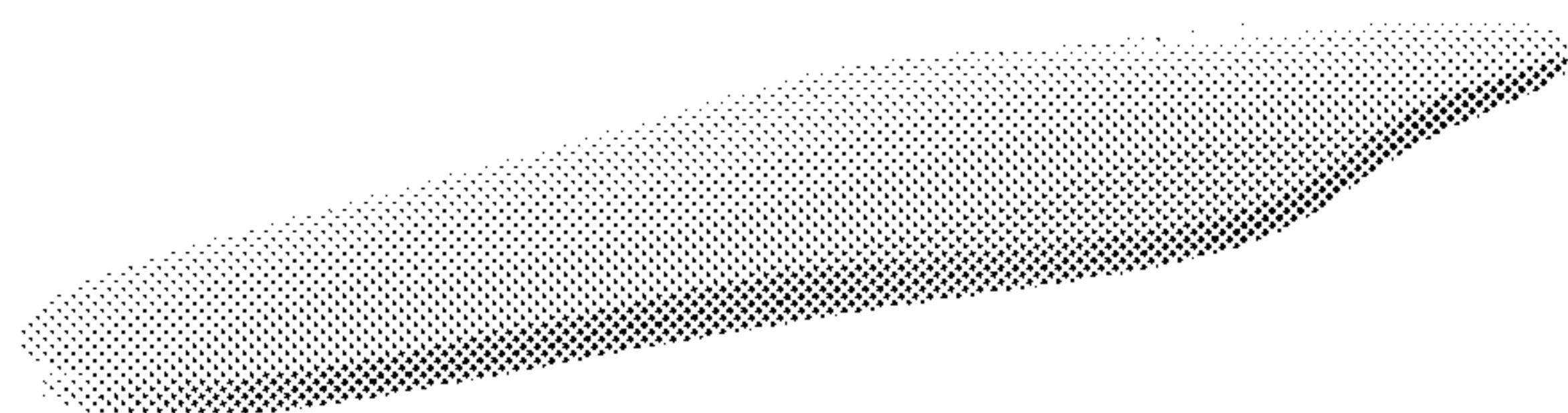
(57) **CLAIM**

The ornamental design for an antenna, as shown and described.

**DESCRIPTION**

FIG. 1 is a front, top, left perspective view of an antenna showing my new design;  
FIG. 2 is a front, bottom, right perspective view thereof;  
FIG. 3 is a rear, top, left perspective view thereof;  
FIG. 4 is a front elevational view thereof;  
FIG. 5 is a rear elevational view thereof;  
FIG. 6 is a right side view thereof;  
FIG. 7 is a left side view thereof;  
FIG. 8 is a bottom plan view thereof; and,  
FIG. 9 is a top plan view thereof.

**1 Claim, 9 Drawing Sheets**



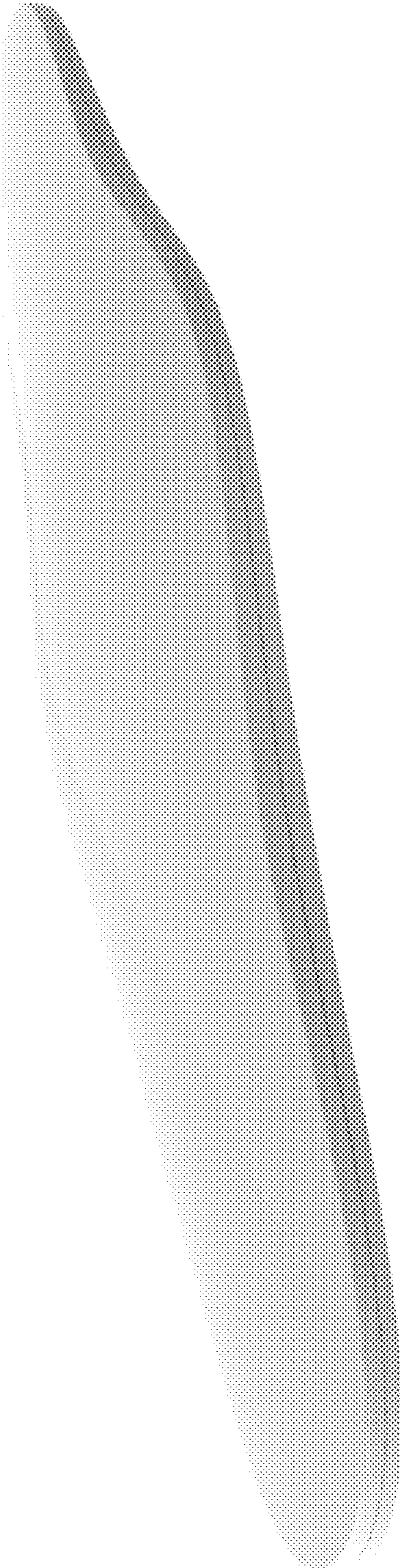


FIG. 1

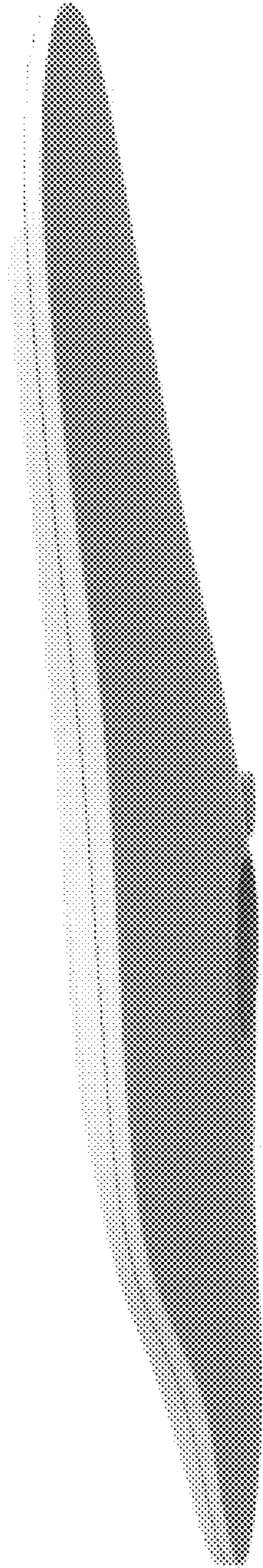


FIG. 2



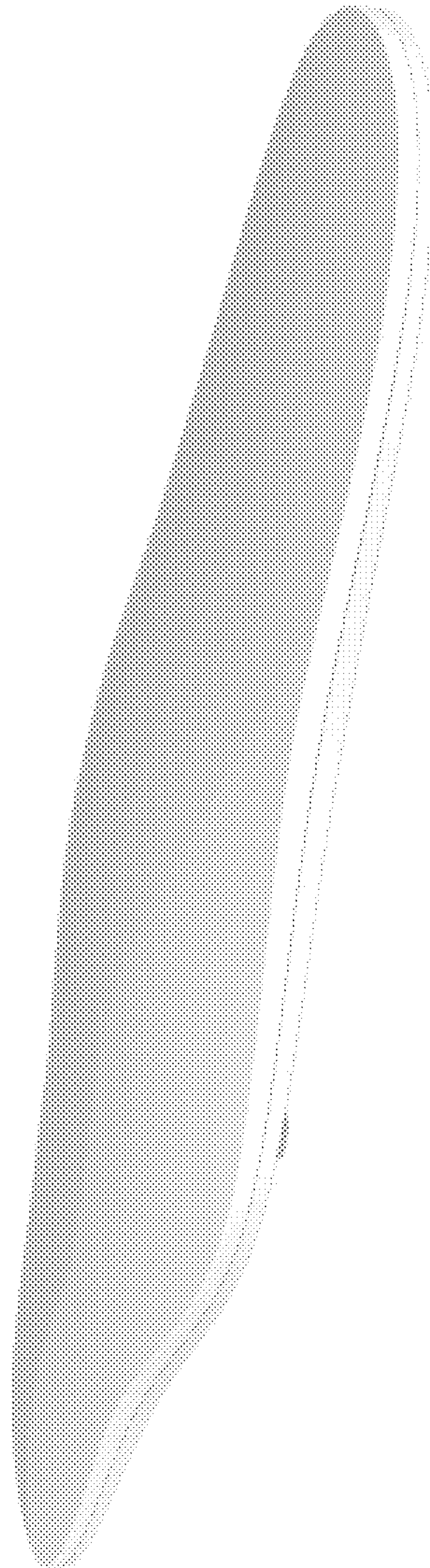


FIG. 3

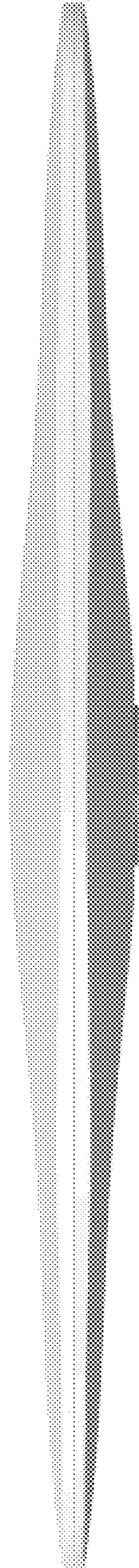


FIG. 4

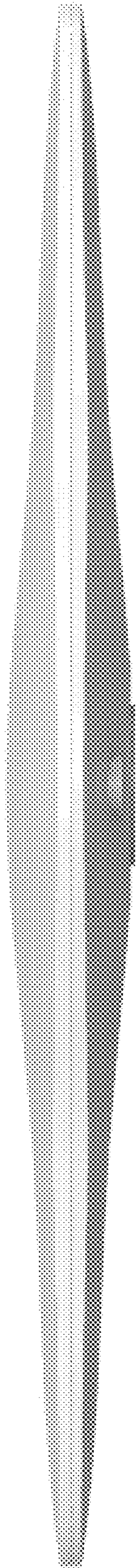


FIG. 5

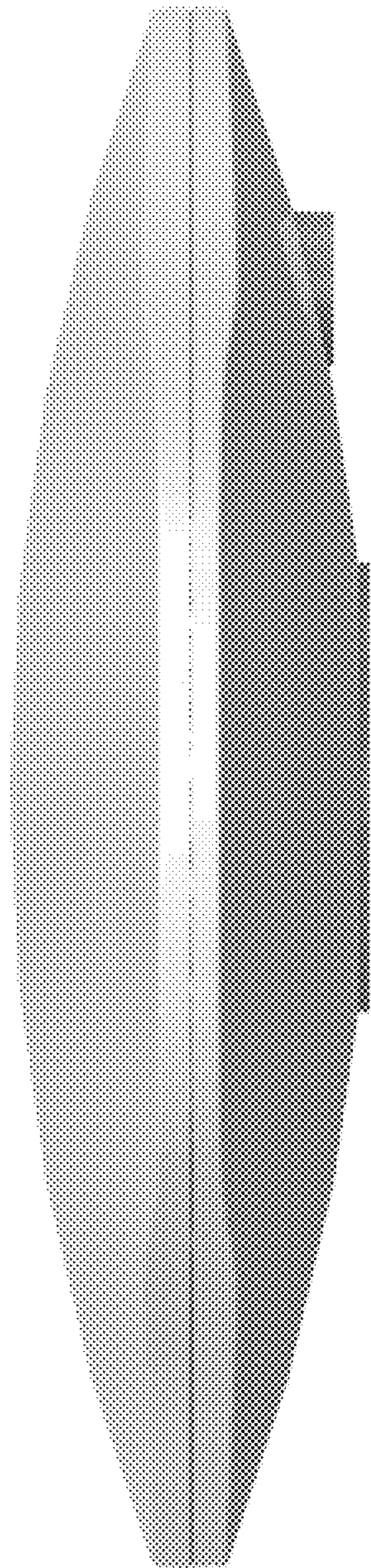


FIG. 6



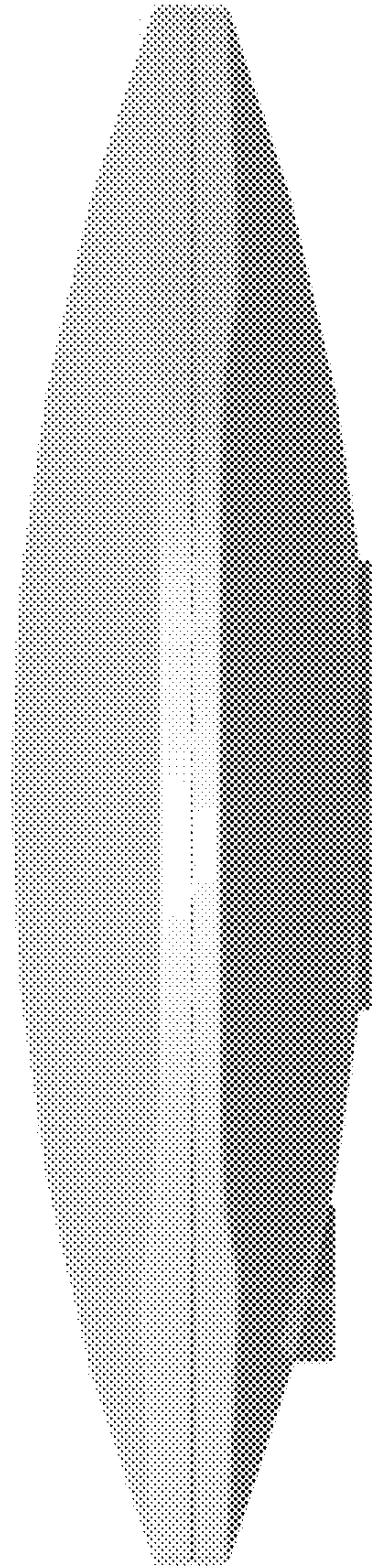


FIG. 7



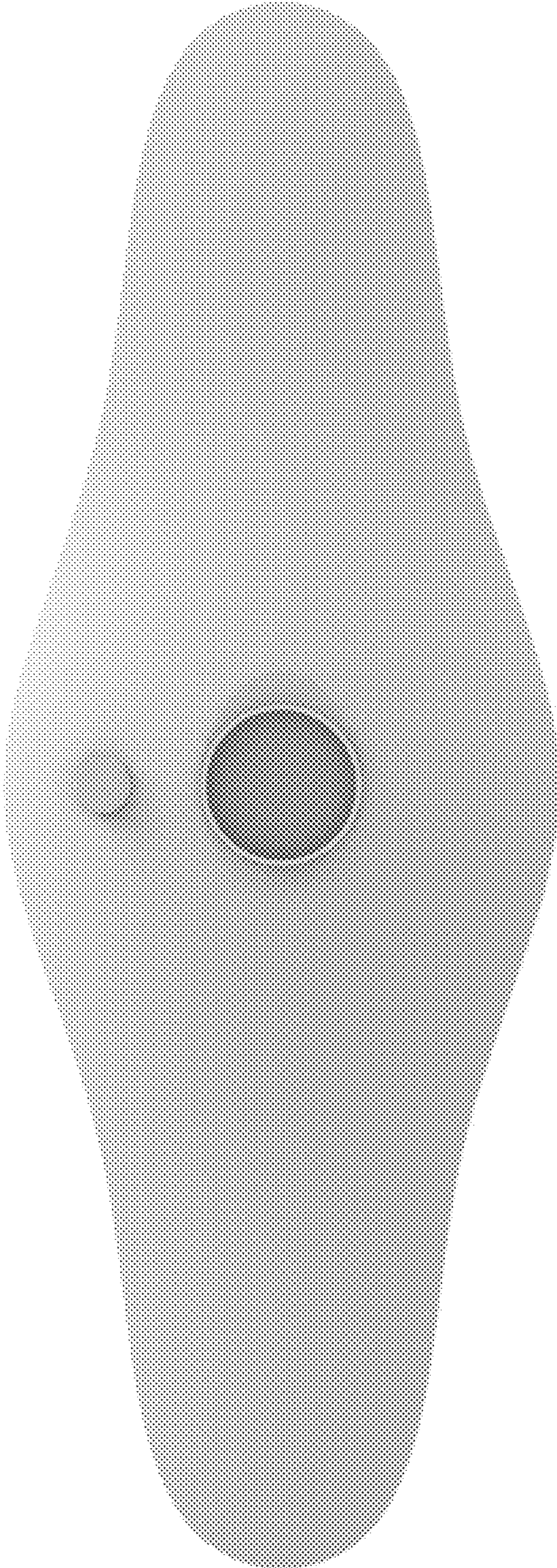


FIG. 8

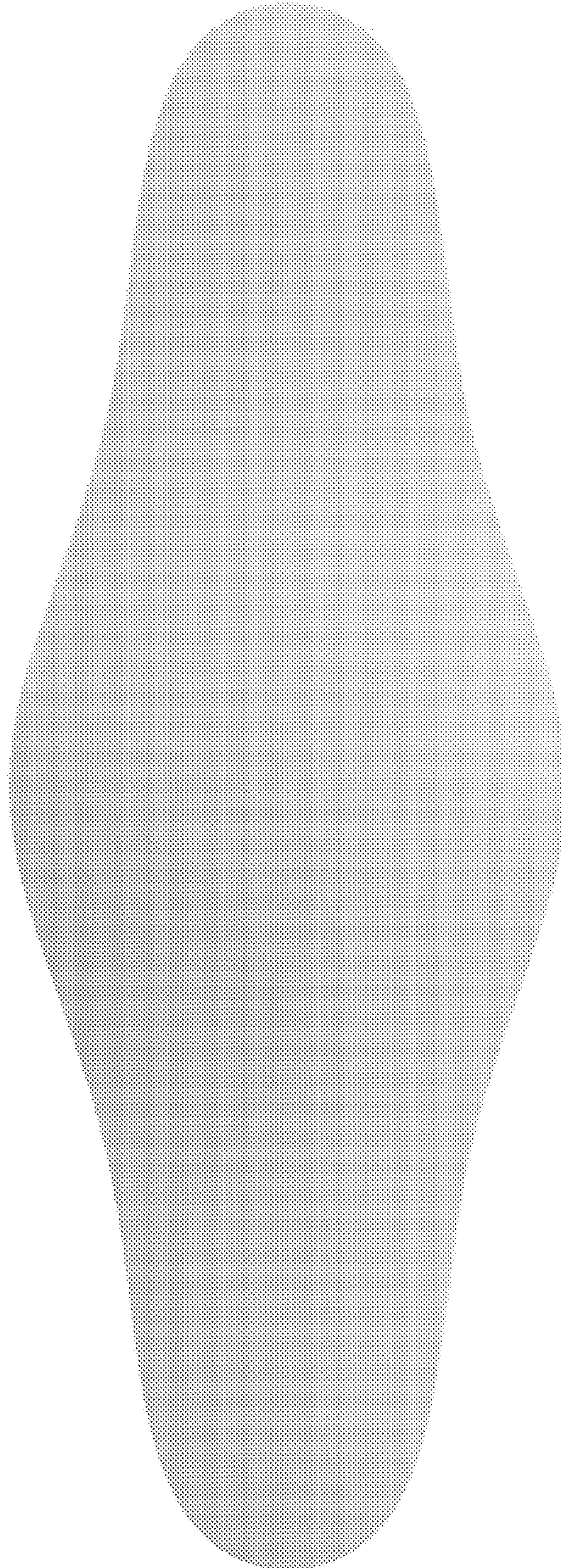


FIG. 9