



US00D829692S

(12) **United States Design Patent** (10) **Patent No.:** **US D829,692 S**  
**Paschke et al.** (45) **Date of Patent:** **\*\* \*Oct. 2, 2018**

(54) **WING OF AN EAR BUD**

(56) **References Cited**

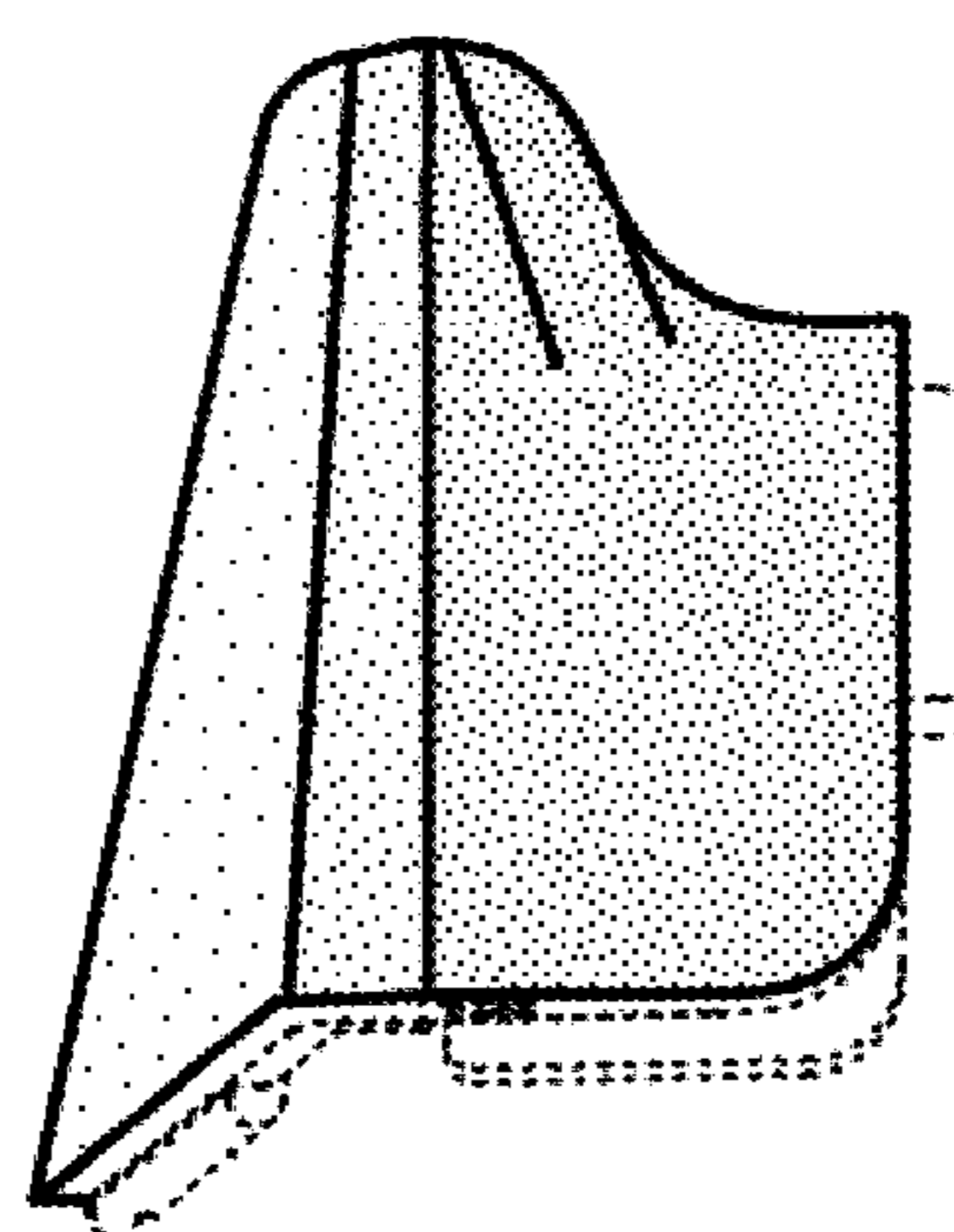
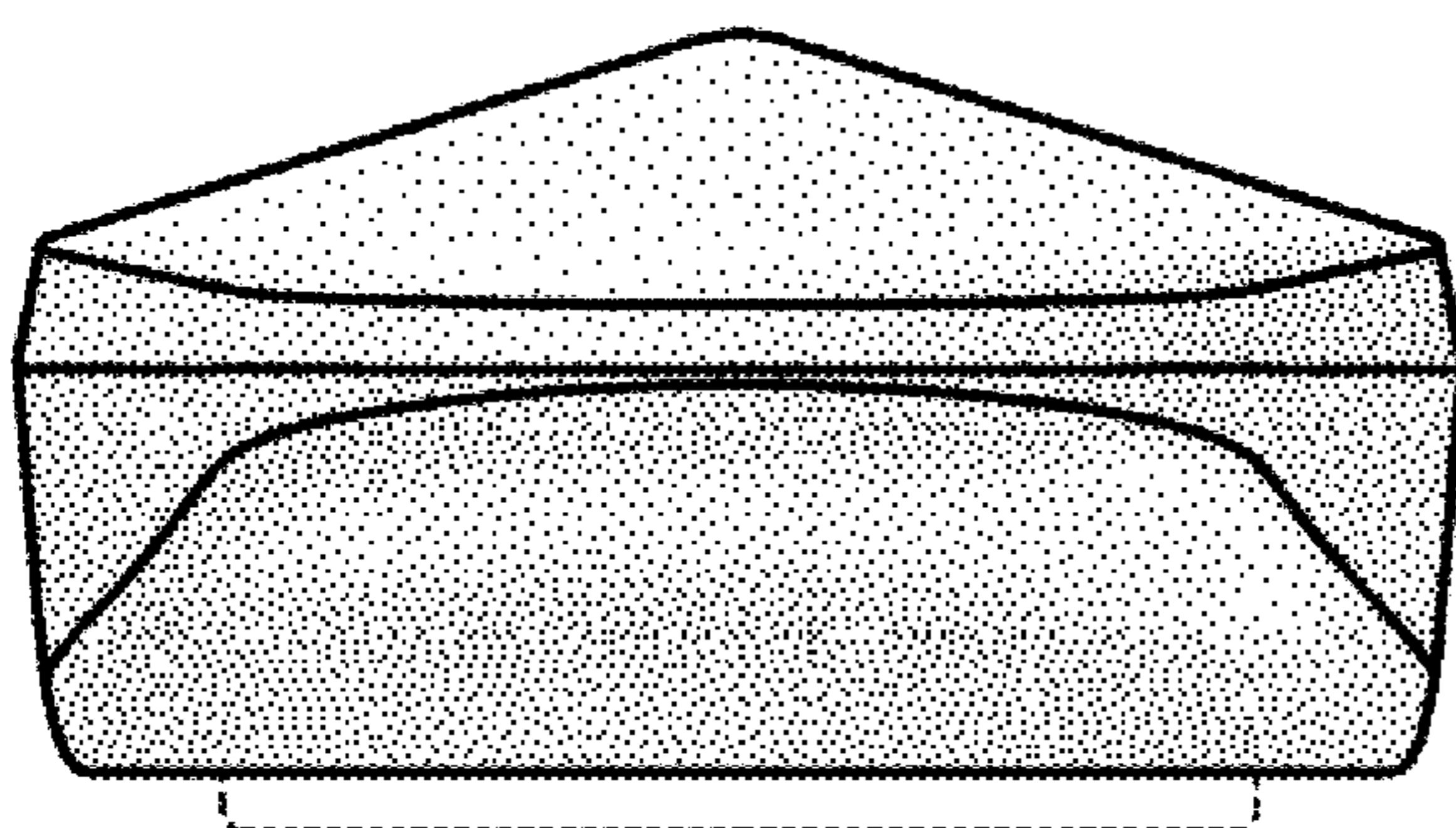
- (71) Applicant: **Fitbit, Inc.**, San Francisco, CA (US)
- (72) Inventors: **Brian Dennis Paschke**, San Francisco, CA (US); **Mark Woolhiser Huang**, Burlingame, CA (US); **Gregoire Ludovic Vincent Vandebussche**, San Francisco, CA (US); **Jonah Avram Becker**, San Francisco, CA (US); **Derek Jenchia Loh**, San Carlos, CA (US); **Bernhard Wildner**, San Francisco, CA (US)
- (73) Assignee: **Fitbit, Inc.**, San Francisco, CA (US)
- (\*) Notice: This patent is subject to a terminal disclaimer.
- (\*\*) Term: **15 Years**
- (21) Appl. No.: **29/579,654**
- (22) Filed: **Sep. 30, 2016**

U.S. PATENT DOCUMENTS

1,528,080	A *	3/1925	Scher .....	A61F 11/008
				181/133
2,430,229	A	11/1947	Kelsey	
2,478,376	A *	8/1949	De Swart .....	B42F 1/10
				24/562
D206,665	S *	1/1967	Sanzone .....	D24/174
D206,797	S *	1/1967	Kusisto .....	24/7
3,440,365	A *	4/1969	Hazell .....	H04M 1/05
				379/430
D258,091	S	1/1981	Reed et al.	
D275,842	S	10/1984	Gilbert et al.	
4,579,112	A *	4/1986	Scott .....	A61F 11/08
				128/864
D317,593	S	6/1991	Rowen	
D326,655	S	6/1992	Iribe	
D339,806	S	9/1993	Grinkus	
D351,828	S	10/1994	Pucci et al.	
D366,262	S	1/1996	Inaba	
5,579,669	A *	12/1996	Kind .....	A23G 3/563
				242/588.6
5,659,156	A *	8/1997	Mauney .....	H04R 1/1016
				181/130
D395,891	S	7/1998	Gerba et al.	
D406,187	S	3/1999	Garcia-Gutierrez	
D409,510	S	5/1999	McDonald	
D415,496	S	10/1999	Gerba et al.	
D421,014	S	2/2000	Smith	
D424,577	S	5/2000	Backs et al.	
D427,994	S *	7/2000	Pirelli .....	D14/223
6,122,369	A	9/2000	Hwang et al.	
6,122,388	A *	9/2000	Feldman .....	H04R 25/604
				381/322
D435,580	S	12/2000	Grinkus	
D439,574	S	3/2001	Katayama	
6,386,314	B1 *	5/2002	Sheehan .....	A61B 5/12
				181/129
6,482,516	B1	11/2002	Sadek et al.	
D483,281	S	12/2003	Cobigo	
D496,638	S	9/2004	Deubler, Jr.	
D500,485	S	1/2005	Deguchi	
D511,768	S	11/2005	Naito et al.	
D532,520	S	11/2006	Kampmeier et al.	
D535,642	S	1/2007	Garcia et al.	
D550,202	S	9/2007	Meier et al.	
D557,624	S	12/2007	Coster et al.	
D565,033	S *	3/2008	Goransson .....	D14/223
D566,537	S *	4/2008	Wen-Po .....	D8/395
D569,841	S	5/2008	Chung et al.	

**Related U.S. Application Data**

- (63) Continuation of application No. 29/579,651, filed on Sep. 30, 2016, now Pat. No. Des. 817,920.
- (51) **LOC (11) Cl.** ..... **14-01**
- (52) **U.S. Cl.**  
USPC ..... **D14/223**; D14/205
- (58) **Field of Classification Search**  
USPC ..... D14/205, 223, 188, 192; D24/174; 379/430, 431; 181/129, 130, 135; 381/380, 381, 382, 384, 370, 379; 455/90.3, 575.1, 569.1  
CPC ..... H04R 1/1016; H04R 1/10; H04R 25/00; H04R 25/02; H04R 5/033; H04R 5/0335; H04R 1/1066; H04R 1/105; H04R 1/1008; H04R 1/1058; H04R 1/1091  
See application file for complete search history.





D572,703	S	7/2008	Ledbetter et al.	
D575,277	S *	8/2008	Gaarde .....	D14/205
D578,508	S	10/2008	Wang	
D584,284	S	1/2009	Carr et al.	
D591,274	S *	4/2009	Khubani .....	D14/223
D594,442	S	6/2009	Chon et al.	
D597,084	S *	7/2009	Gondo .....	D14/223
D599,778	S	9/2009	Ando	
D604,269	S	11/2009	Choe	
D604,722	S *	11/2009	Mistry .....	D14/223
D605,170	S	12/2009	Keinanen	
D605,628	S	12/2009	Ando	
D637,183	S *	5/2011	March .....	D14/223
D640,242	S *	6/2011	Fahrendorff .....	D14/223
D641,010	S *	7/2011	Kwon .....	D14/223
D643,830	S	8/2011	Fish	
D647,081	S	10/2011	Kwon	
D649,957	S *	12/2011	Fahrendorff .....	D14/223
D652,822	S *	1/2012	Lee .....	D14/223
D658,157	S *	4/2012	McManigal .....	D14/205
8,175,315	B2	5/2012	Tanaka et al.	
D666,580	S	9/2012	Lee et al.	
D668,244	S *	10/2012	Matsumura .....	D14/223
D671,523	S	11/2012	Daniel	
D673,140	S *	12/2012	Kelly .....	D14/223
D673,531	S *	1/2013	Lee .....	D14/223
D698,026	S *	1/2014	Kuwata .....	D24/174
D698,750	S	2/2014	Yoon	
8,743,533	B2	6/2014	Stanley	
D711,356	S	8/2014	Yang	
D712,884	S	9/2014	Krauss et al.	
D722,040	S	2/2015	Tan et al.	
D725,625	S	3/2015	Hsieh et al.	
D726,145	S	4/2015	Hsieh et al.	
D727,871	S	4/2015	Orbach	
D732,509	S *	6/2015	Brunner .....	H04R 25/00 D14/223
D739,852	S	9/2015	Jiang et al.	
D742,861	S *	11/2015	Miyake .....	D14/223
D743,381	S	11/2015	Pi et al.	
D743,949	S *	11/2015	Miyake .....	D14/223
D745,489	S	12/2015	Bjelle	
D756,959	S	5/2016	Lee et al.	
D764,445	S *	8/2016	Czaniecki .....	D14/223
D767,532	S	9/2016	Jen	
D774,490	S	12/2016	Lin	
D775,609	S *	1/2017	Lee .....	D14/223
D776,641	S *	1/2017	Rochat .....	D14/223
D776,642	S *	1/2017	Otani .....	D14/223
D780,154	S *	2/2017	Jaynes .....	D14/205
D780,714	S	3/2017	Vogt, Jr. et al.	
D780,721	S *	3/2017	Brunner .....	D14/223
D786,216	S	5/2017	Silva et al.	
D788,603	S	6/2017	Liu	
D790,501	S	6/2017	Wang	
D795,109	S	8/2017	Olodort et al.	
D797,079	S *	9/2017	Houle .....	D14/223
D817,920	S	5/2018	Paschke et al.	
D818,457	S	5/2018	Paschke et al.	
2007/0116319	A1 *	5/2007	Hagberg .....	H04R 1/1016 381/380
2009/0181082	A1	7/2009	Zuniga et al.	
2009/0296975	A1	12/2009	Uchida et al.	
2011/0155147	A1 *	6/2011	McIntosh .....	A61F 11/08 128/864
2012/0087532	A1 *	4/2012	Yang .....	H04R 1/10 381/380
2013/0077815	A1	3/2013	Stephenson	
2016/0073186	A1	3/2016	Searl et al.	
2016/0261946	A1	9/2016	Chen	
2017/0094384	A1 *	3/2017	Trainer .....	H04R 1/105

OTHER PUBLICATIONS

U.S. Appl. No. 29/579,651, filed Sep. 30, 2016, Paschke et al.  
 U.S. Appl. No. 29/579,652, filed Sep. 30, 2016, Paschke et al.  
 U.S. Appl. No. 29/579,653, filed Sep. 30, 2016, Paschke et al.

Chinese Office Action [Brief Description in English], dated Jul. 27, 2017 issued in Application No. CN 201730098280.9.  
 U.S. Appl. No. 29/614,464, filed Aug. 18, 2017, Paschke et al.  
 U.S. Office Action, dated Sep. 6, 2017, issued in Design U.S. Appl. No. 29/579,651.  
 U.S. Restriction Requirement, dated Sep. 15, 2017, issued in Design U.S. Appl. No. 29/579,652.  
 U.S. Office Action, dated Nov. 29, 2017, issued in Design U.S. Appl. No. 29/579,652.  
 U.S. Office Action, dated Sep. 19, 2017, issued in Design U.S. Appl. No. 29/579,653.  
 U.S. Notice of Allowance, dated Dec. 27, 2017, issued in Design U.S. Appl. No. 29/579,651.  
 U.S. Notice of Allowance, dated Jan. 25, 2018, issued in Design U.S. Appl. No. 29/579,653.  
 US Corrected Notice of Allowability, dated Jul. 2, 2018, issued in Design U.S. Appl. No. 29/579,652.

\* cited by examiner

*Primary Examiner* — Paula Allen Greene  
 (74) *Attorney, Agent, or Firm* — Weaver Austin  
 Villeneuve & Sampson LLP

(57) **CLAIM**

We claim the ornamental design for the wing of an ear bud, as shown and described.

**DESCRIPTION**

FIG. 1 is a top view of an example wing of an earbud that may be attached to a bud of a headset.  
 FIG. 2 is a bottom view of the example wing of an earbud of FIG. 1.  
 FIG. 3 is a side view of the example wing of an earbud of FIG. 1; the wing of an earbud is symmetric in this view, so the opposing side view is the same.  
 FIG. 4 is a front view of the example wing of an earbud of FIG. 1.  
 FIG. 5 is a rear view of the example wing of an earbud of FIG. 1.  
 FIG. 6 is an off-angle view of the example wing of an earbud of FIG. 1.  
 FIG. 7 is an isometric view of the example wing of an earbud of FIG. 1.  
 FIG. 8 is a top view of an example wing of an earbud that may be attached to a bud of a headset; the wing of an ear bud depicted in FIGS. 8-14 correspond to FIGS. 1-7, respectively, but depict a larger-sized wing of an earbud.  
 FIG. 9 is a bottom view of the example wing of an earbud of FIG. 8.  
 FIG. 10 is a side view of the example wing of an earbud of FIG. 8; the wing of an earbud is symmetric in this view, so the opposing side view is the same.  
 FIG. 11 is a front view of the example wing of an earbud of FIG. 8.  
 FIG. 12 is a rear view of the example wing of an earbud of FIG. 8.  
 FIG. 13 is an off-angle view of the example wing of an earbud of FIG. 8.  
 FIG. 14 is an isometric view of the example wing of an earbud of FIG. 8.  
 FIG. 15 is a top view of an example wing of an earbud that may be attached to a bud of a headset; the wing of an ear bud depicted in FIGS. 15-21 correspond to FIGS. 1-7, respectively, but depict an even larger-sized wing of an earbud.  
 FIG. 16 is a bottom view of the example wing of an earbud of FIG. 15.

FIG. 17 is a side view of the example wing of an earbud of FIG. 15; the wing of an earbud is symmetric in this view, so the opposing side view is the same.

FIG. 18 is a front view of the example wing of an earbud of FIG. 15.

FIG. 19 is a rear view of the example wing of an earbud of FIG. 15.

FIG. 20 is an off-angle view of the example wing of an earbud of FIG. 15; and,

FIG. 21 is an isometric view of the example wing of an earbud of FIG. 15.

Each of the wings of an ear bud in the accompanying figures may be a part of an ear bud of a headset that may be placed, i.e., worn, in a person's ear.

Stipple shading is used in the accompanying Figures to convey surface contouring and not texture. The broken lines shown in the drawings illustrate portions of the wing of an earbud that form no part of the claimed design; in such unclaimed portions the shading has also been removed.

**1 Claim, 2 Drawing Sheets**



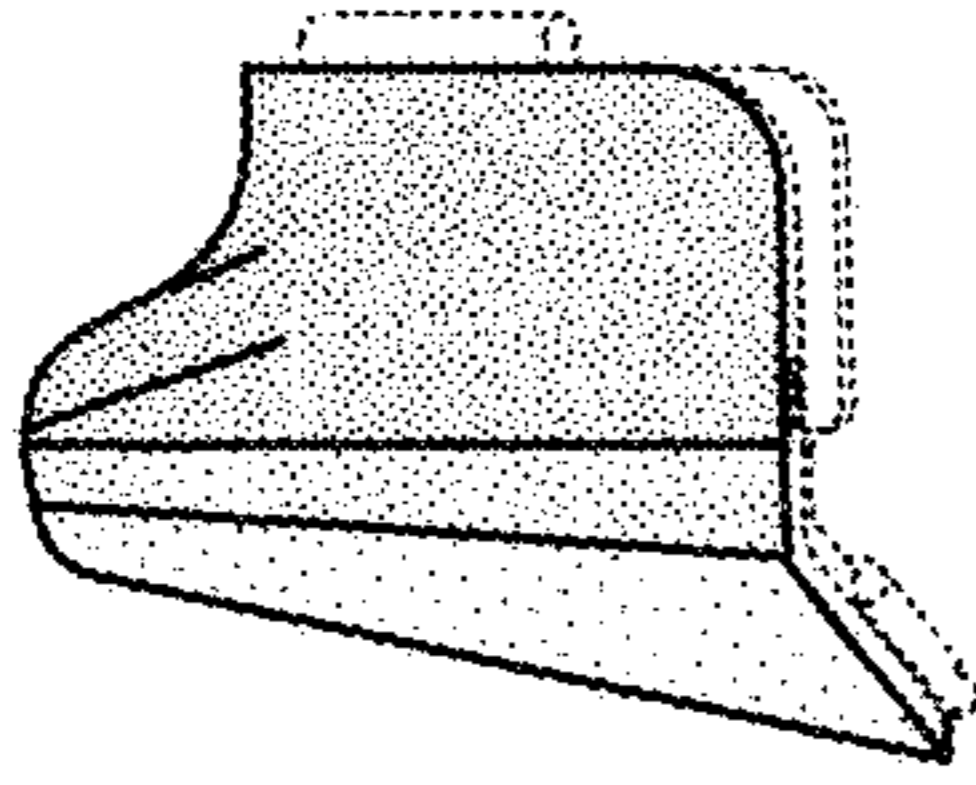


Figure 3

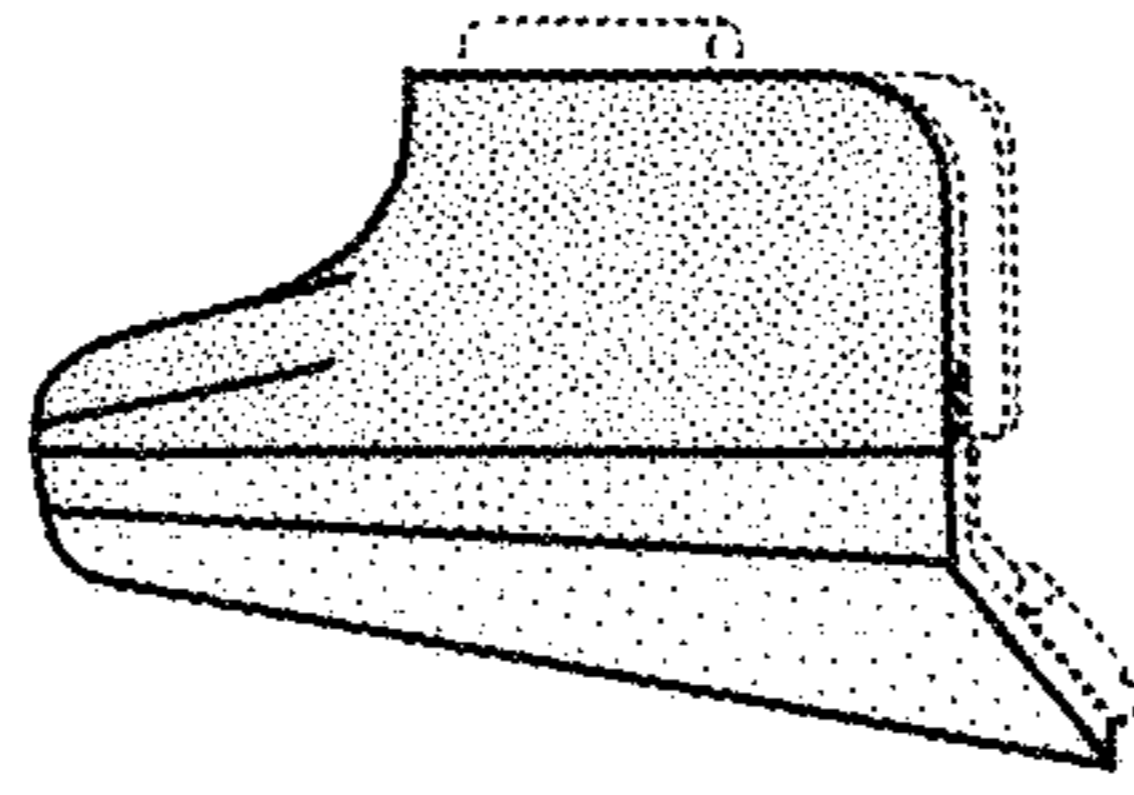


Figure 10

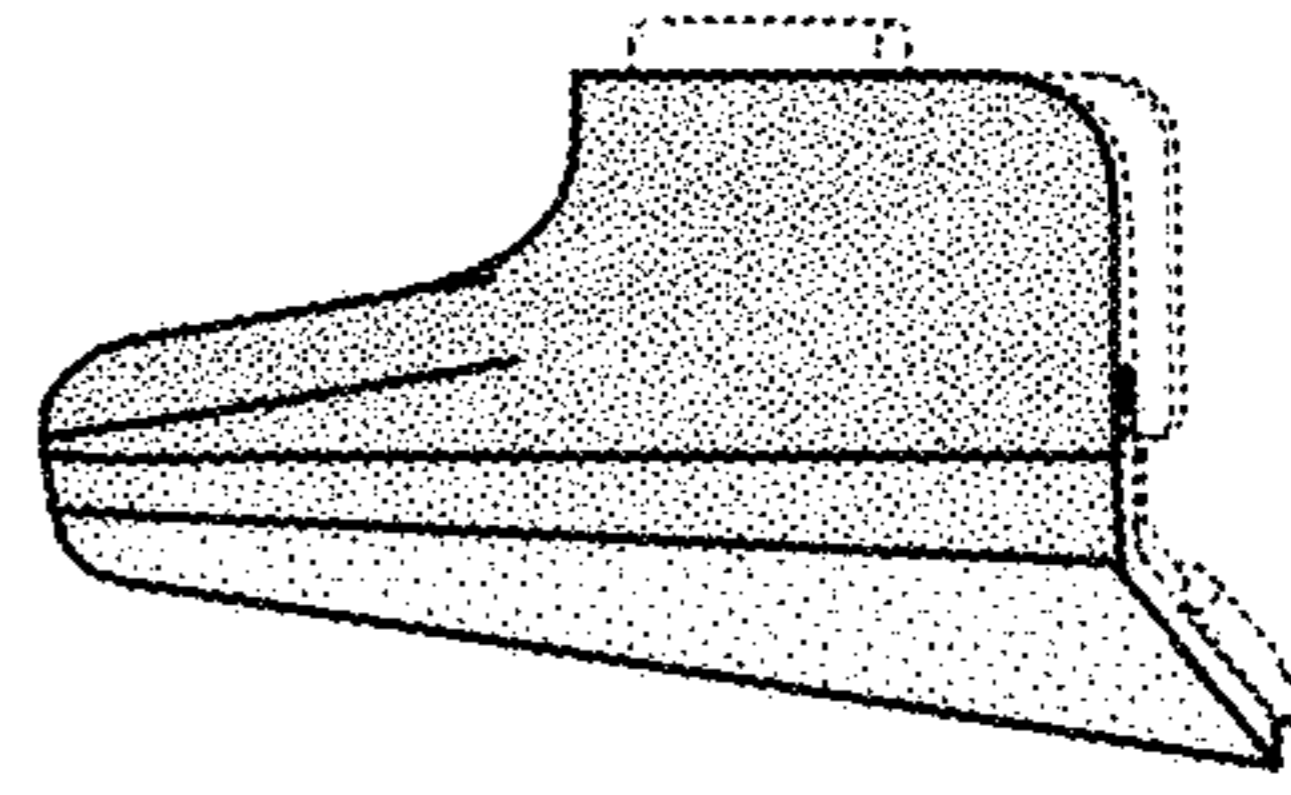


Figure 17

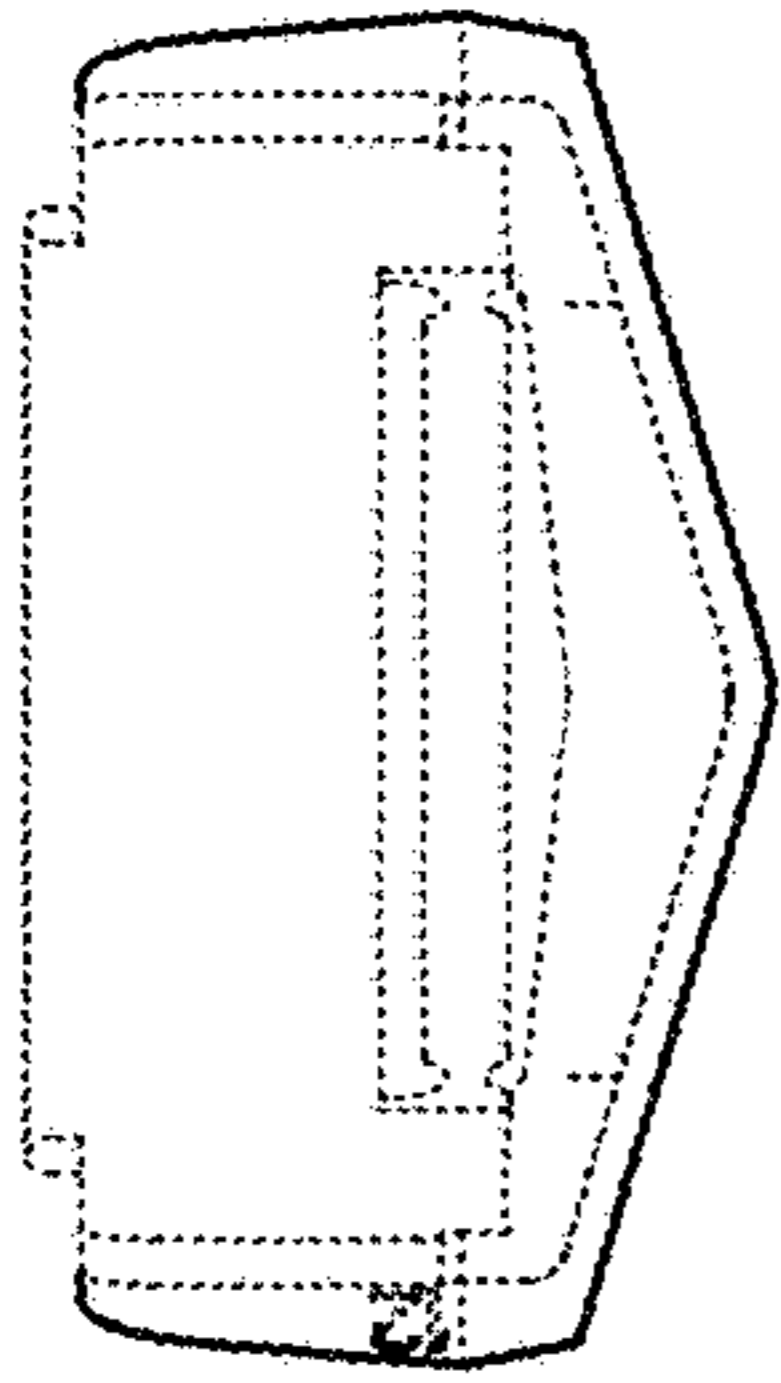


Figure 2

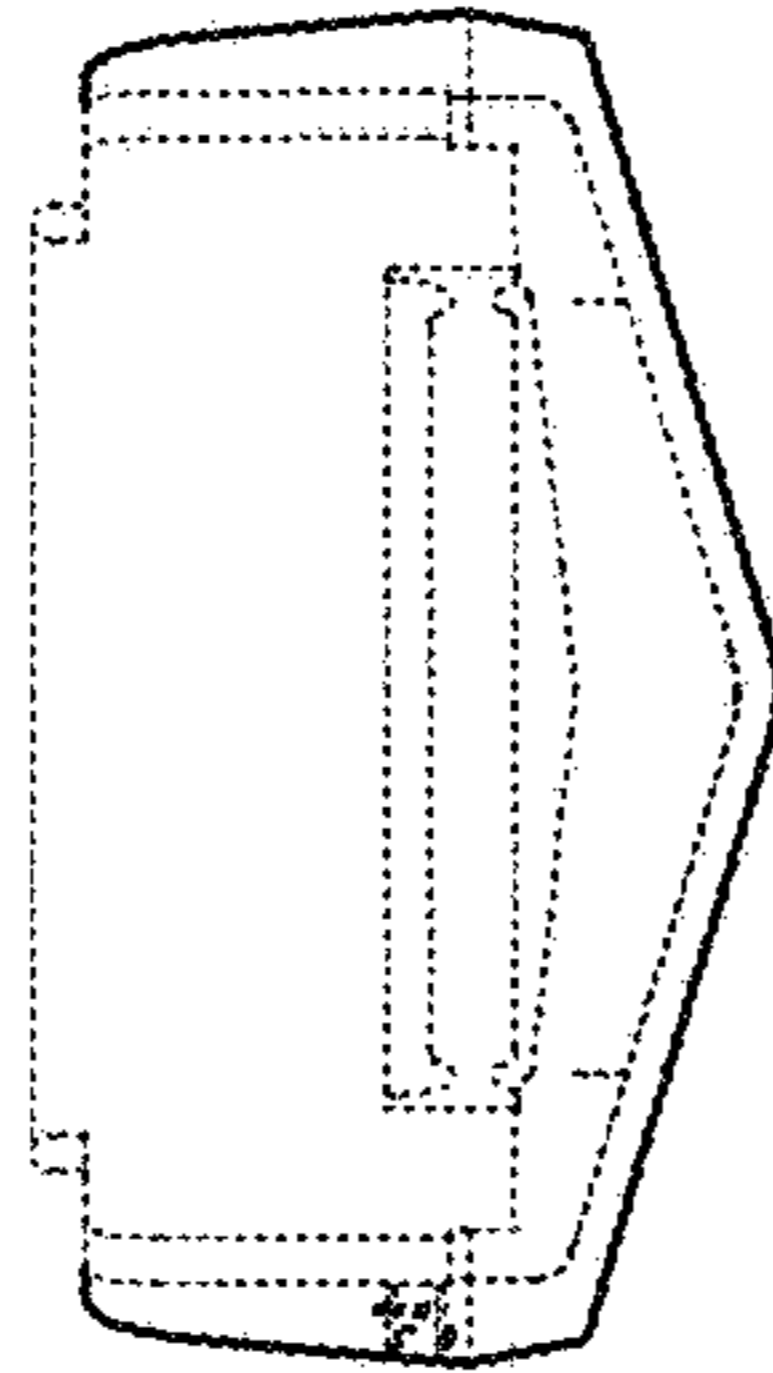


Figure 9

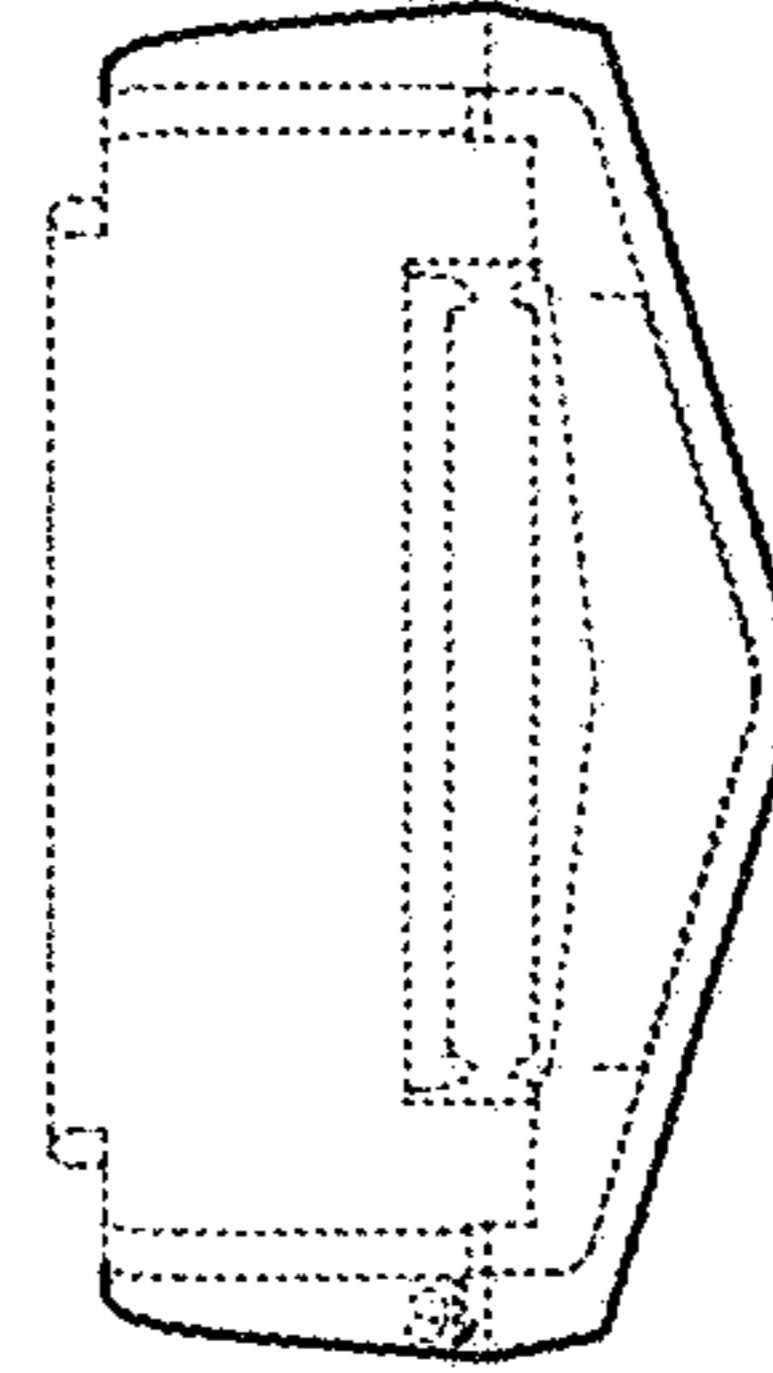


Figure 16

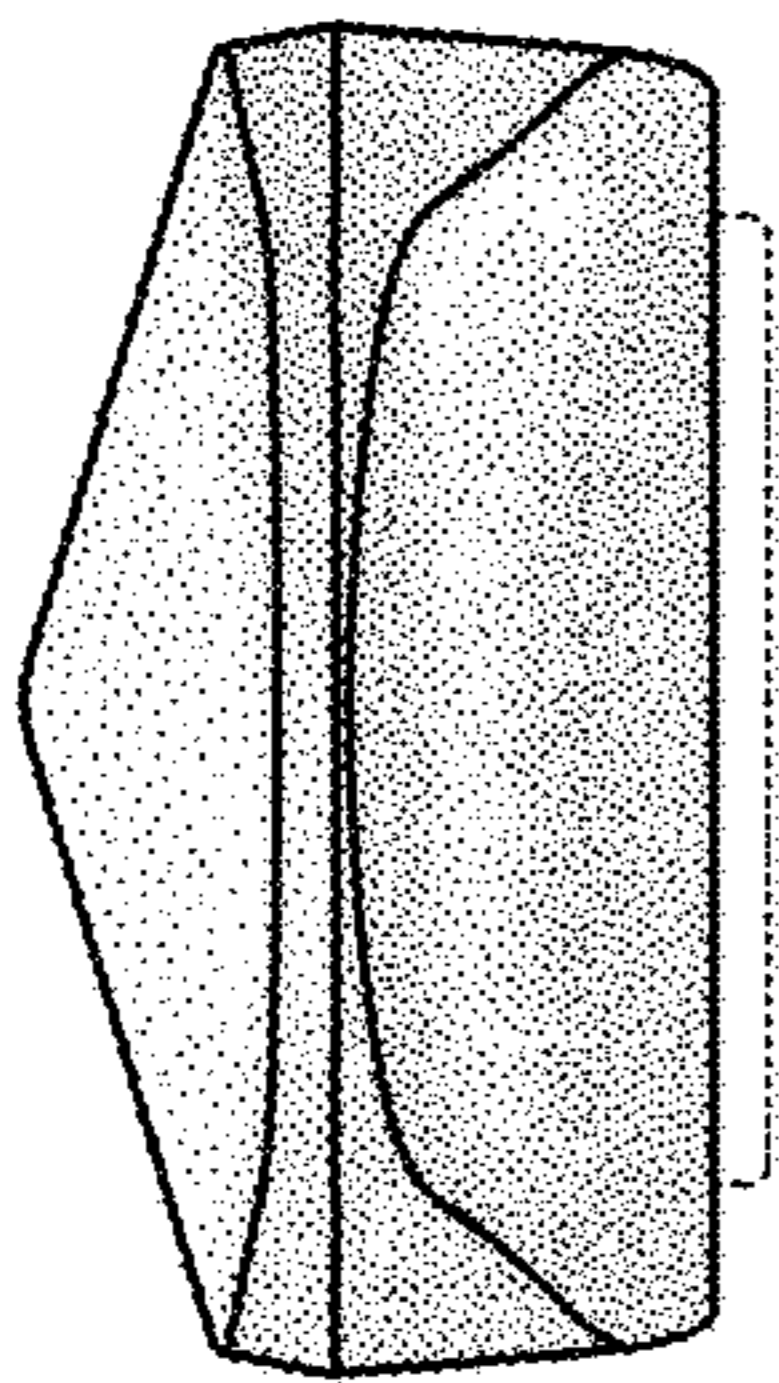


Figure 1

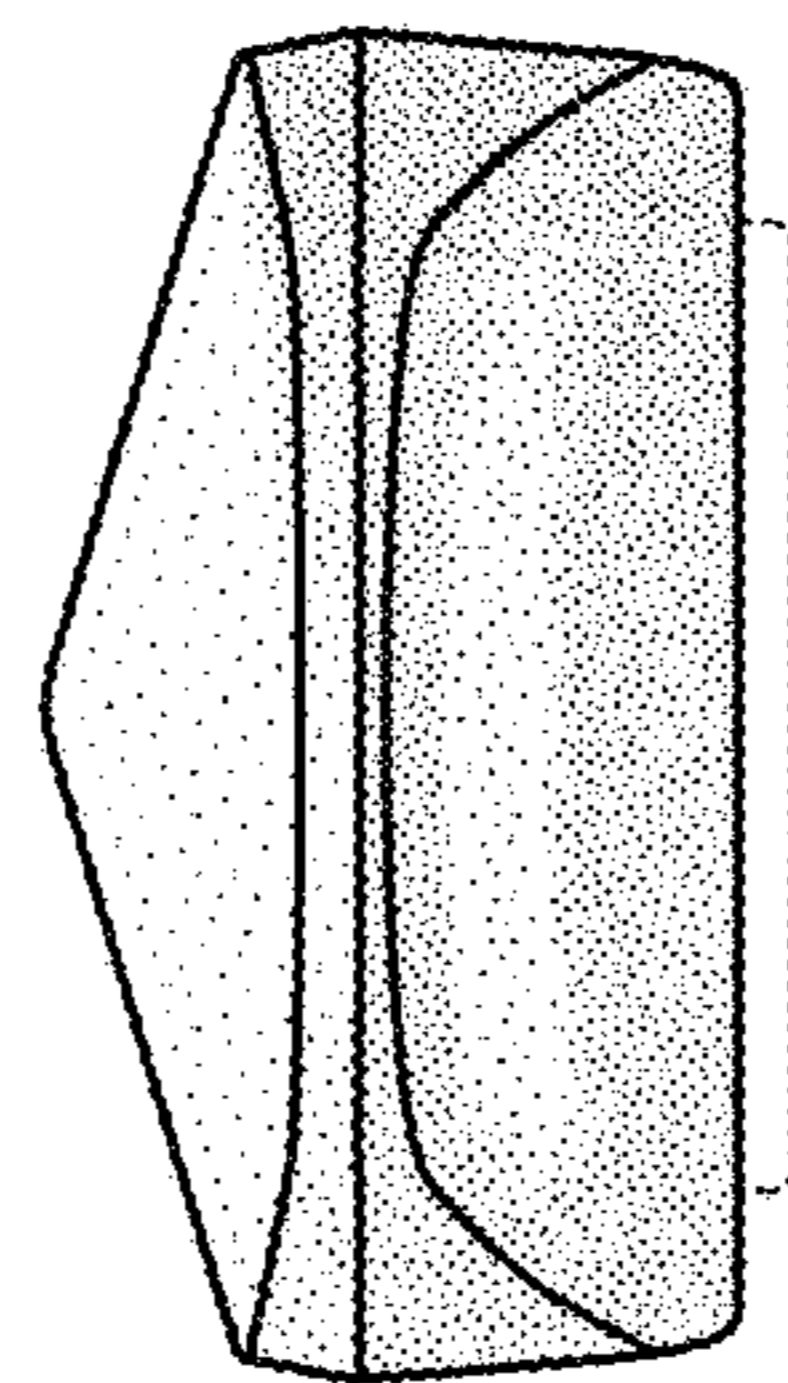


Figure 8

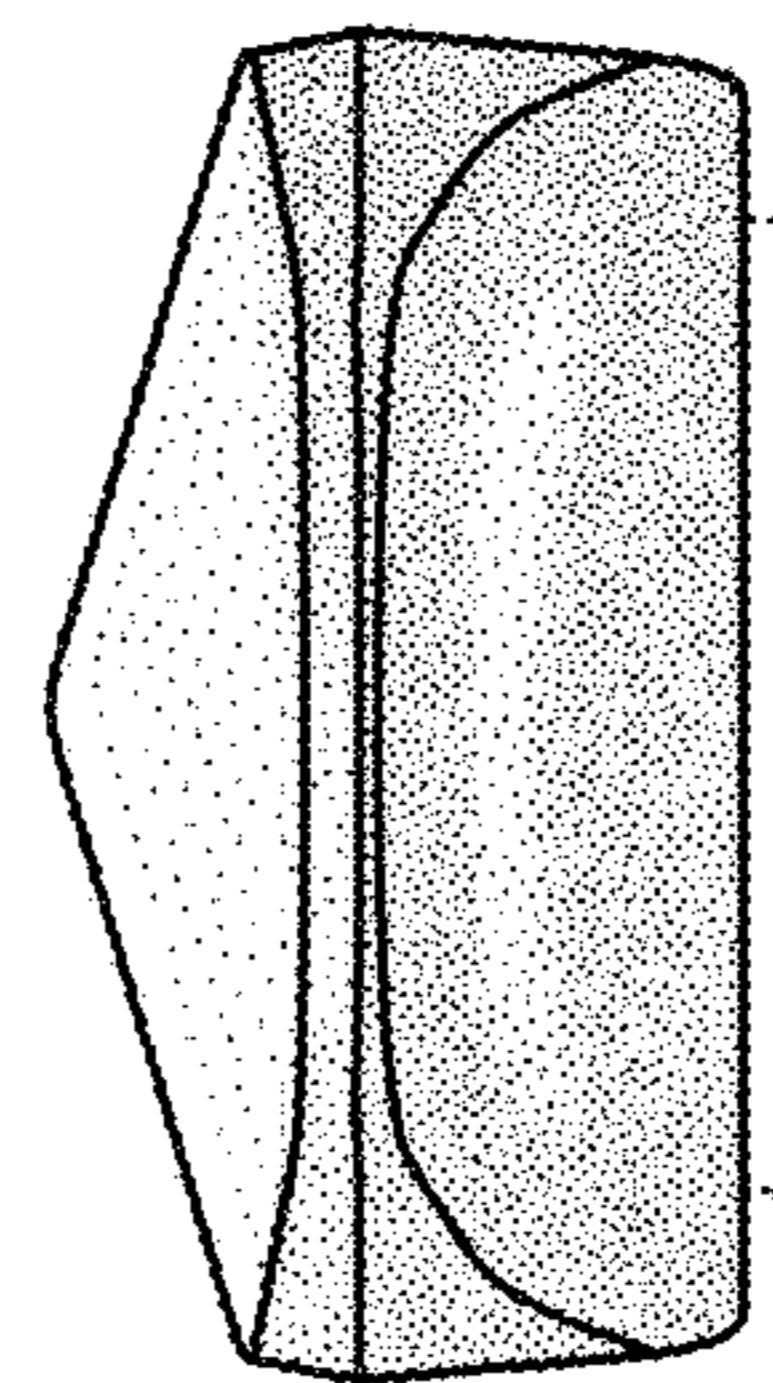


Figure 15

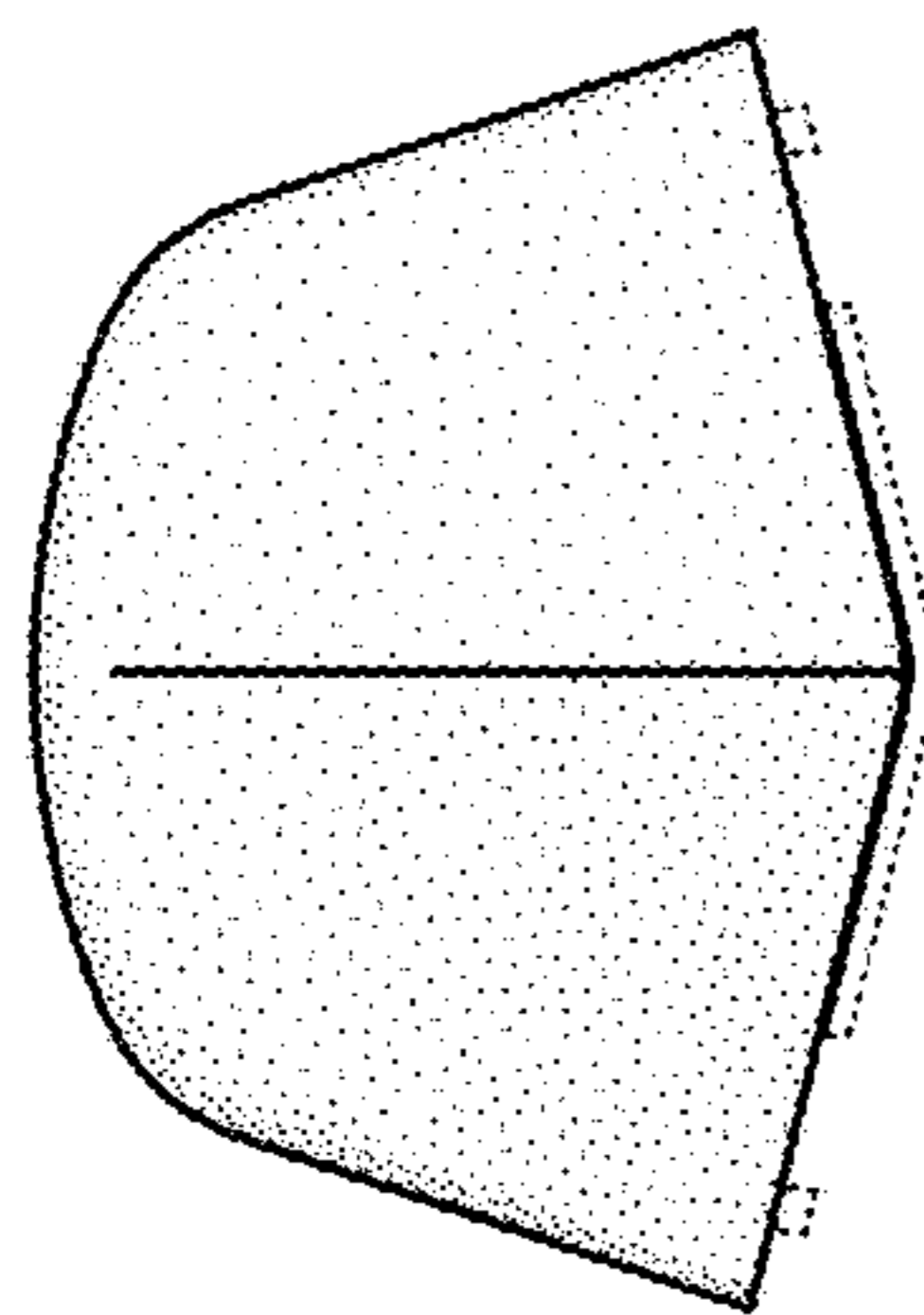


Figure 4

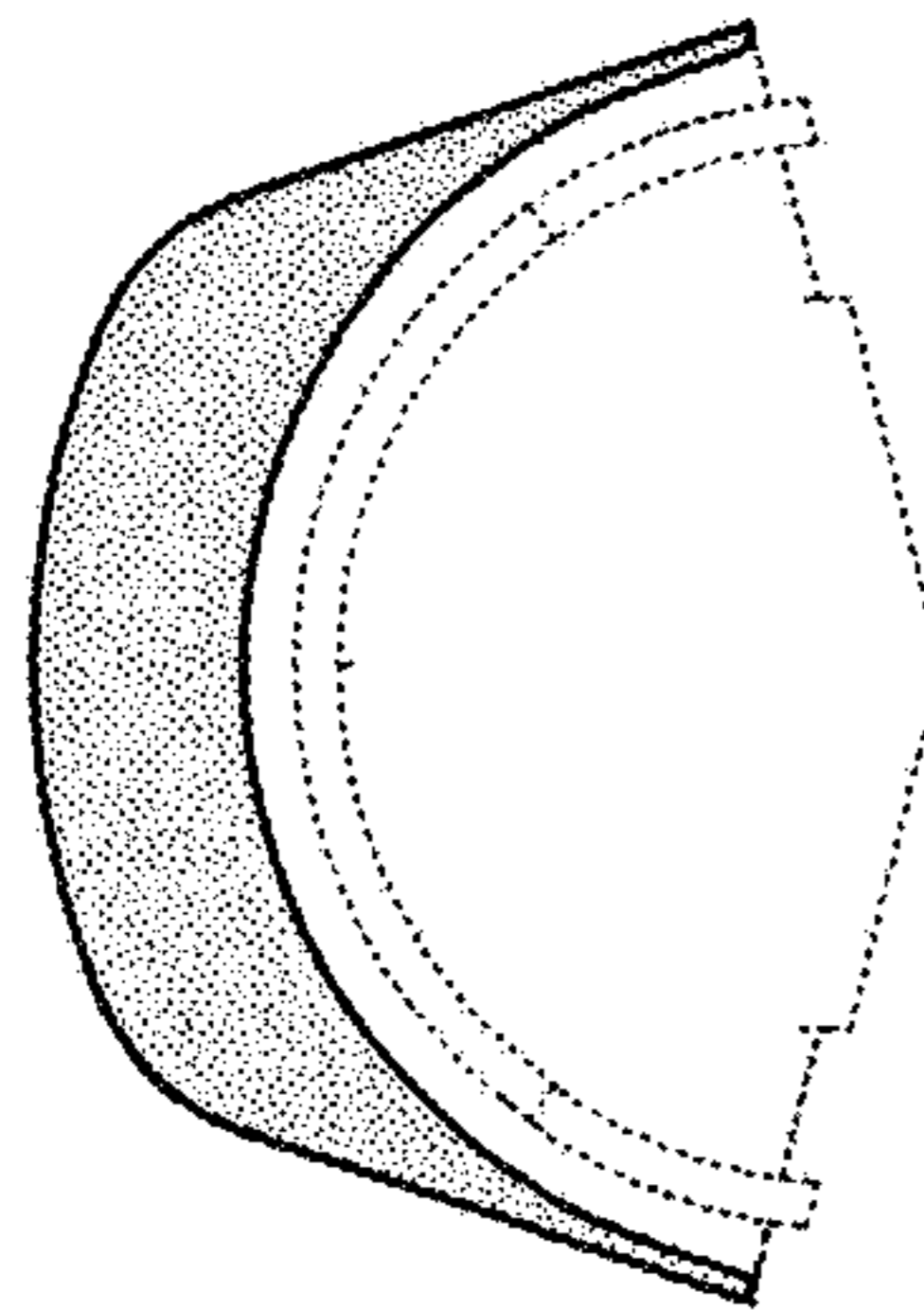


Figure 5

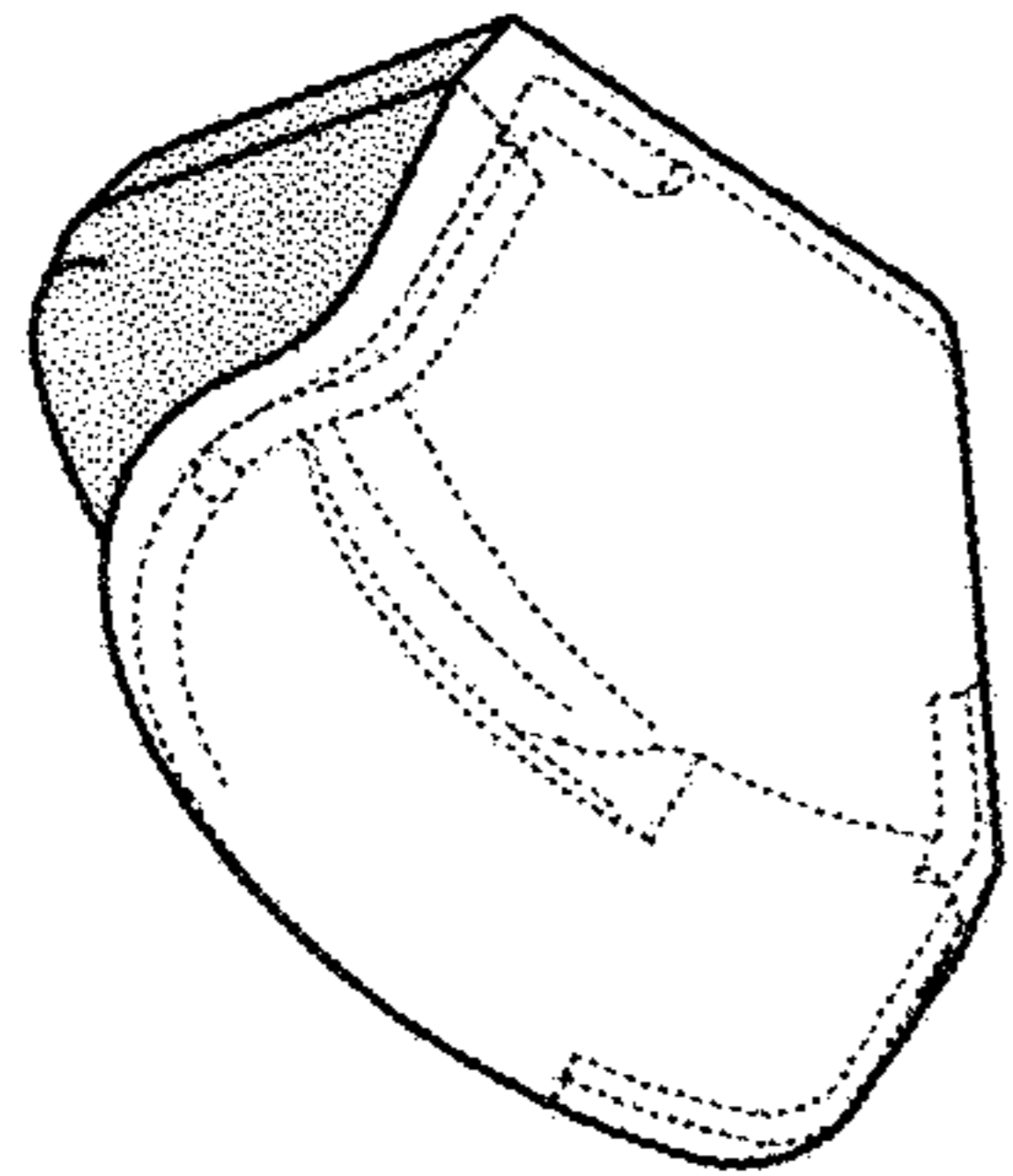


Figure 6

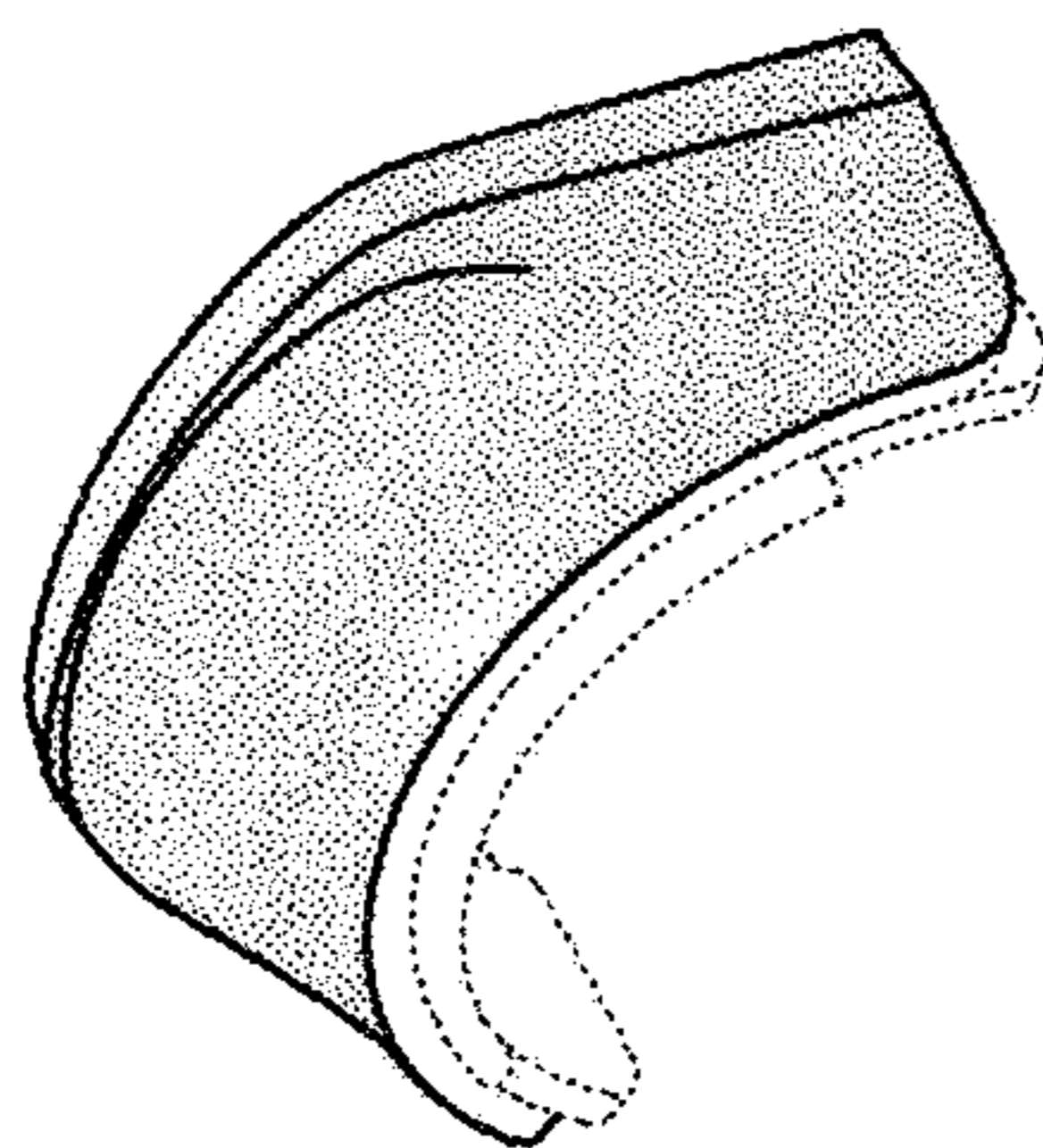


Figure 7

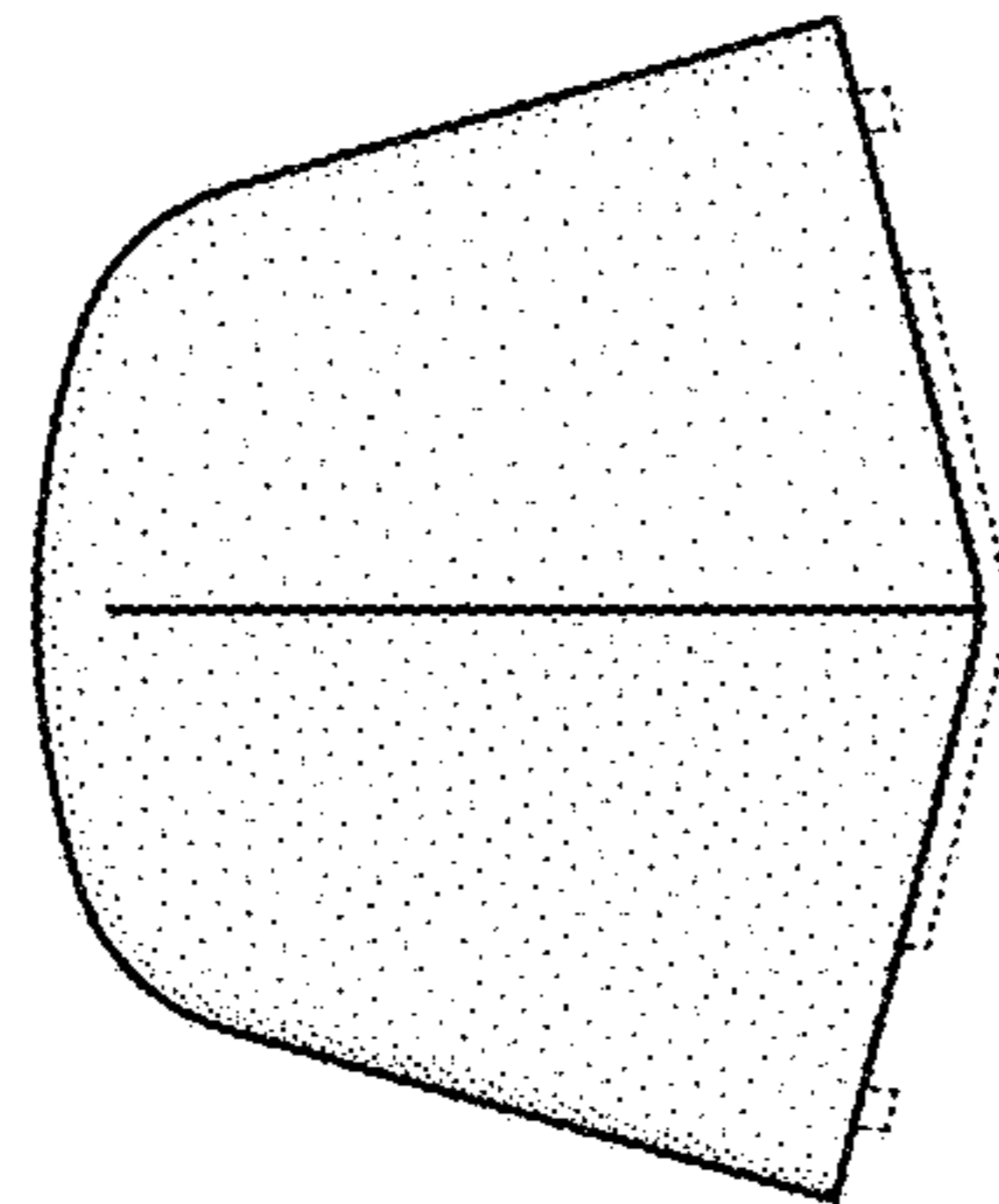


Figure 11

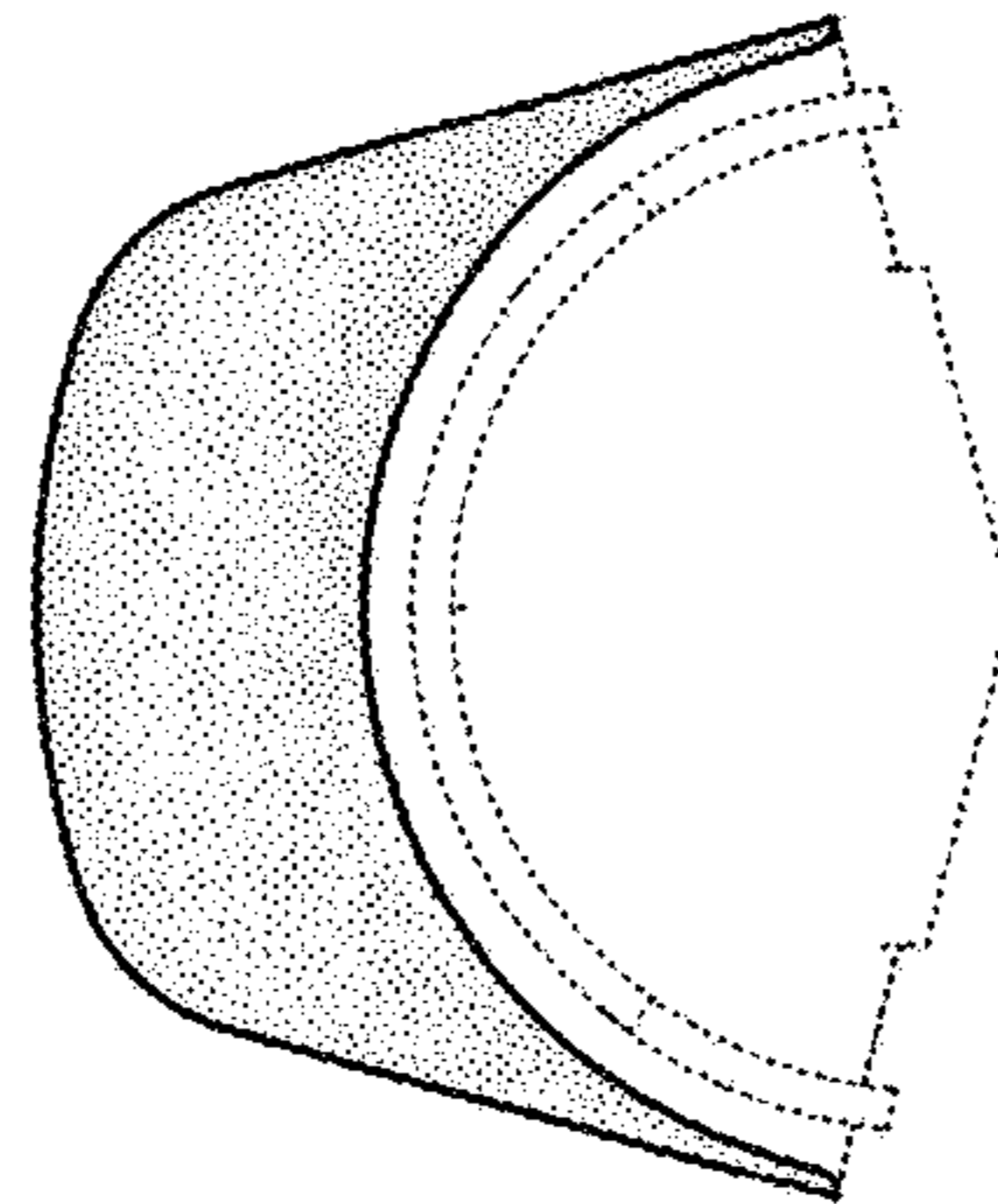


Figure 12

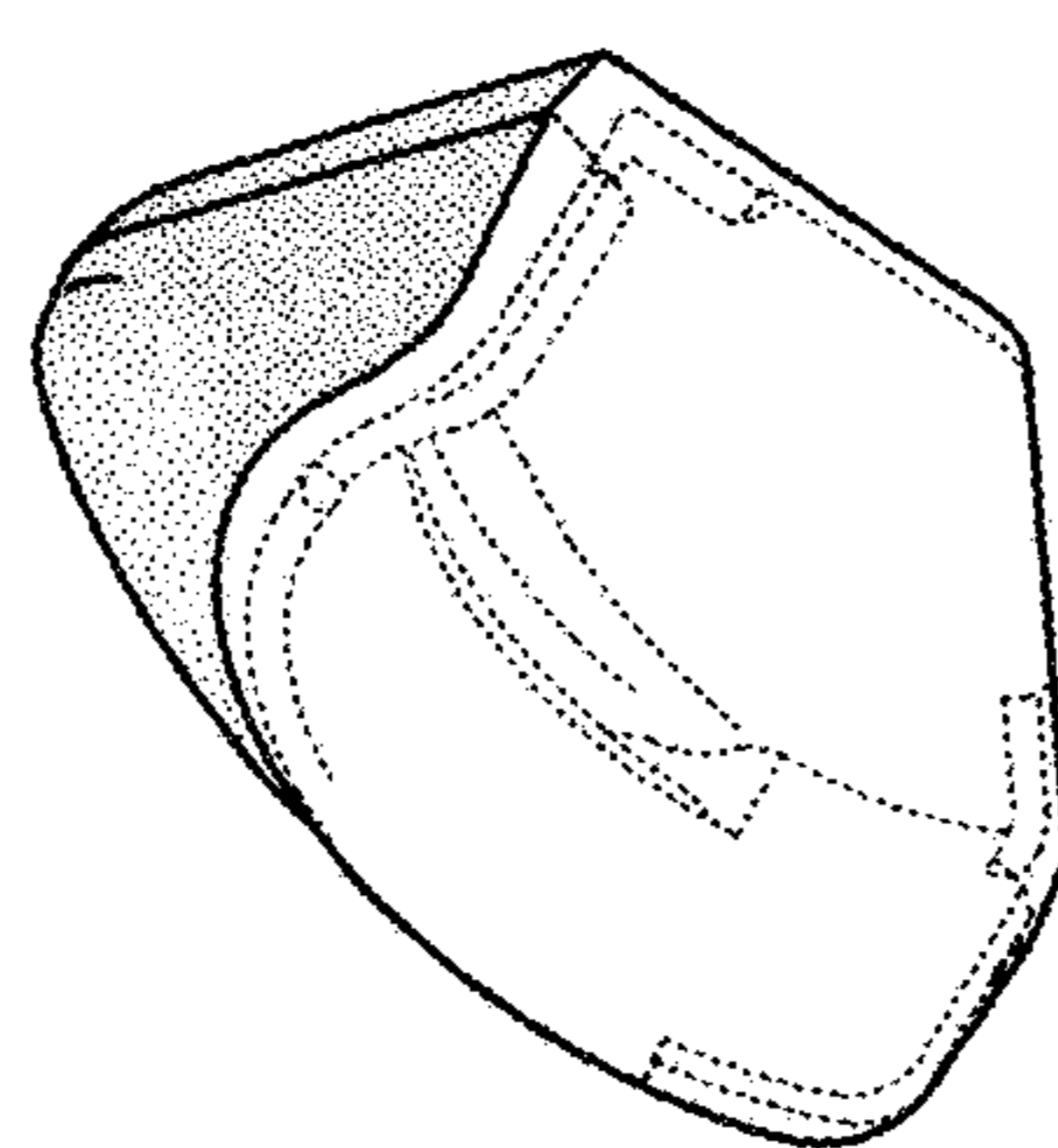


Figure 13

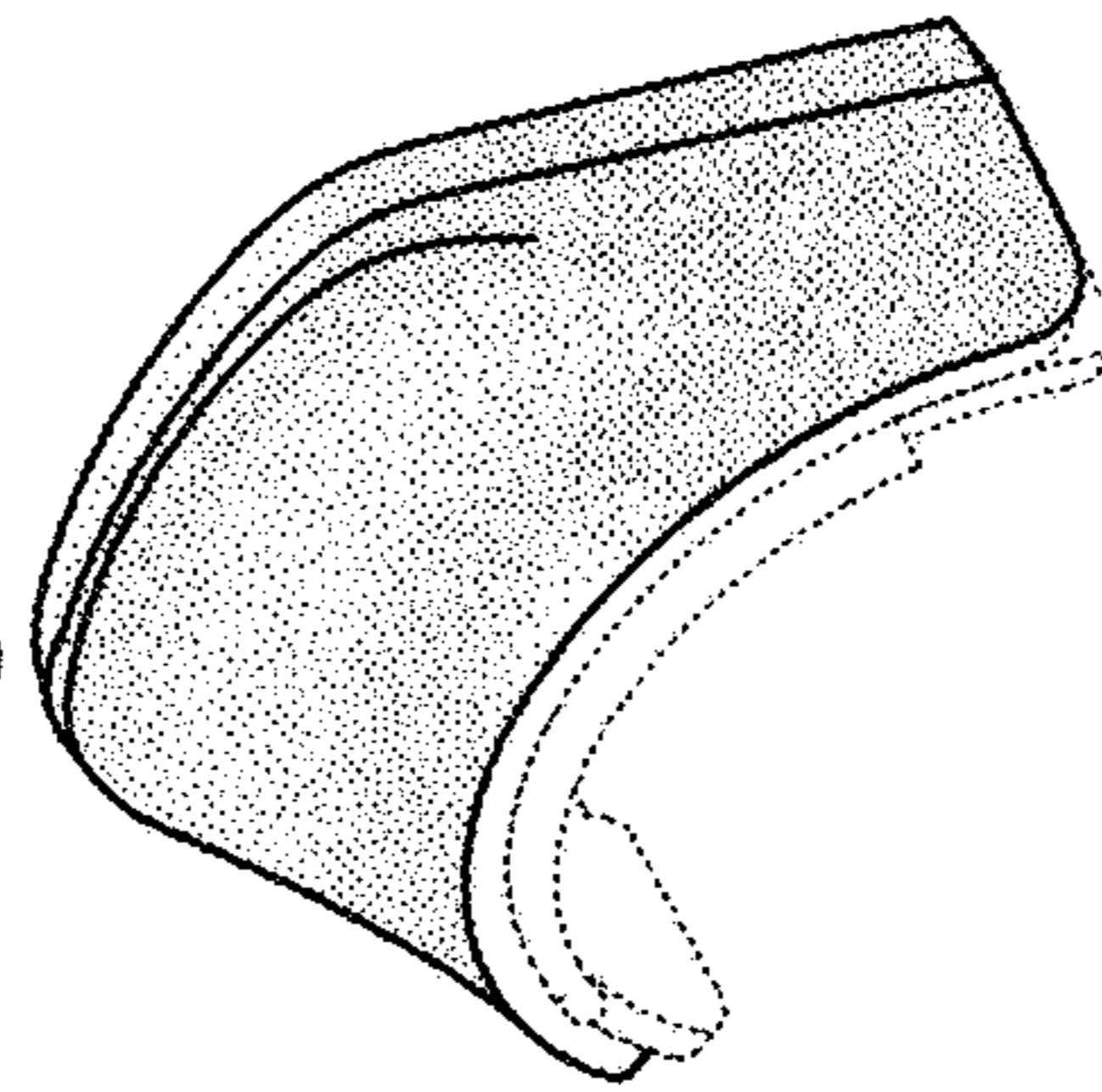


Figure 14

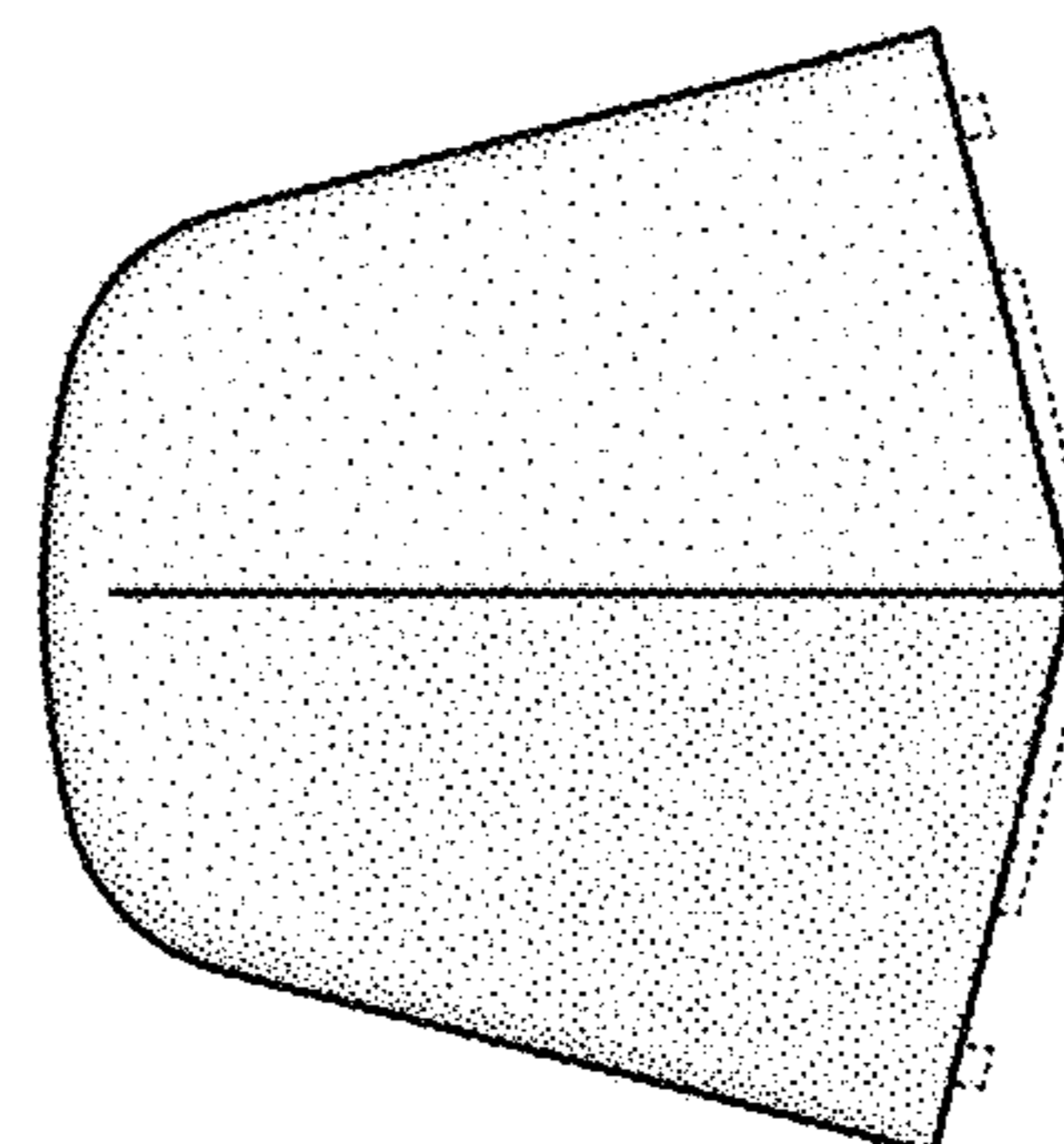


Figure 18

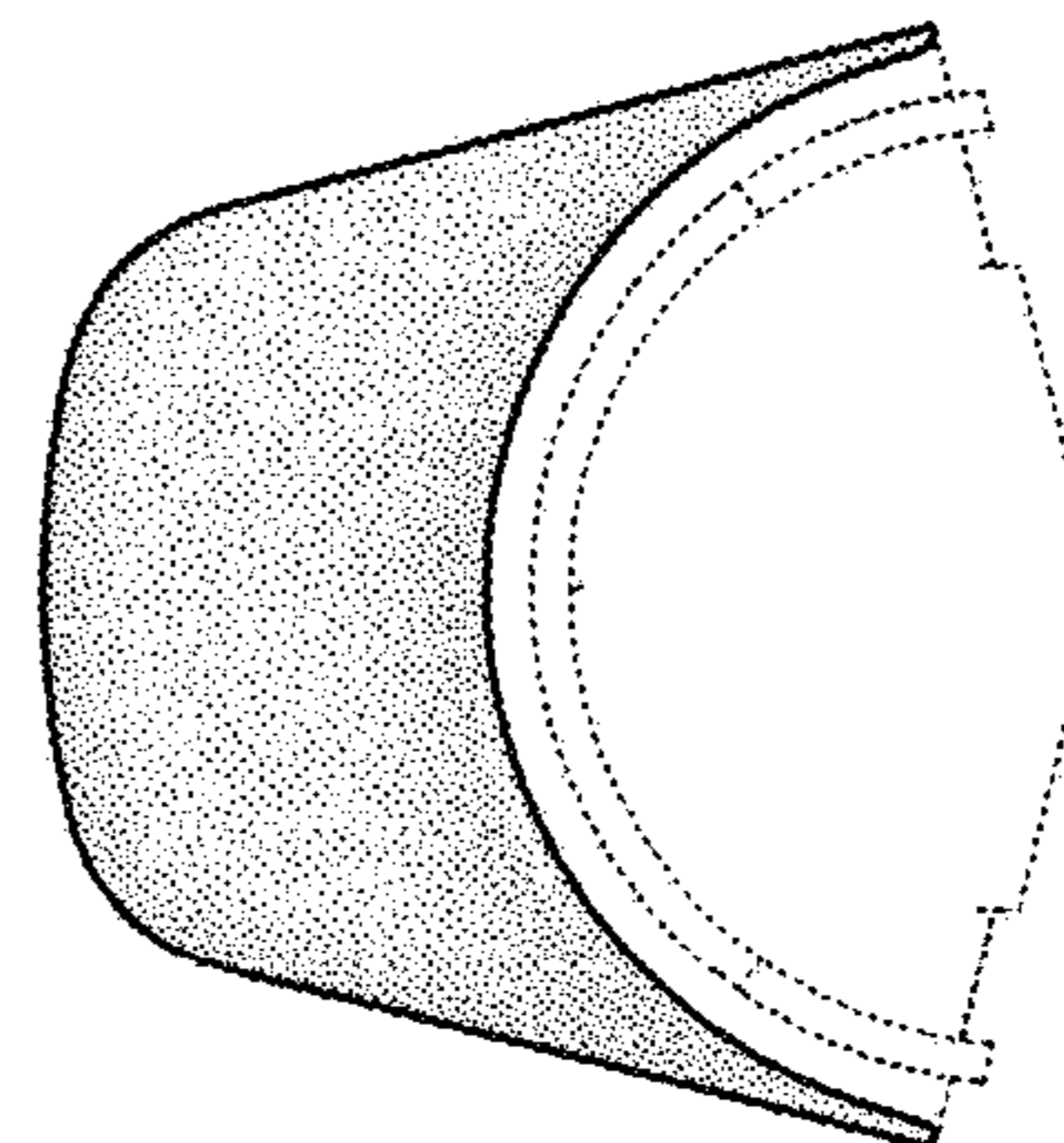


Figure 19

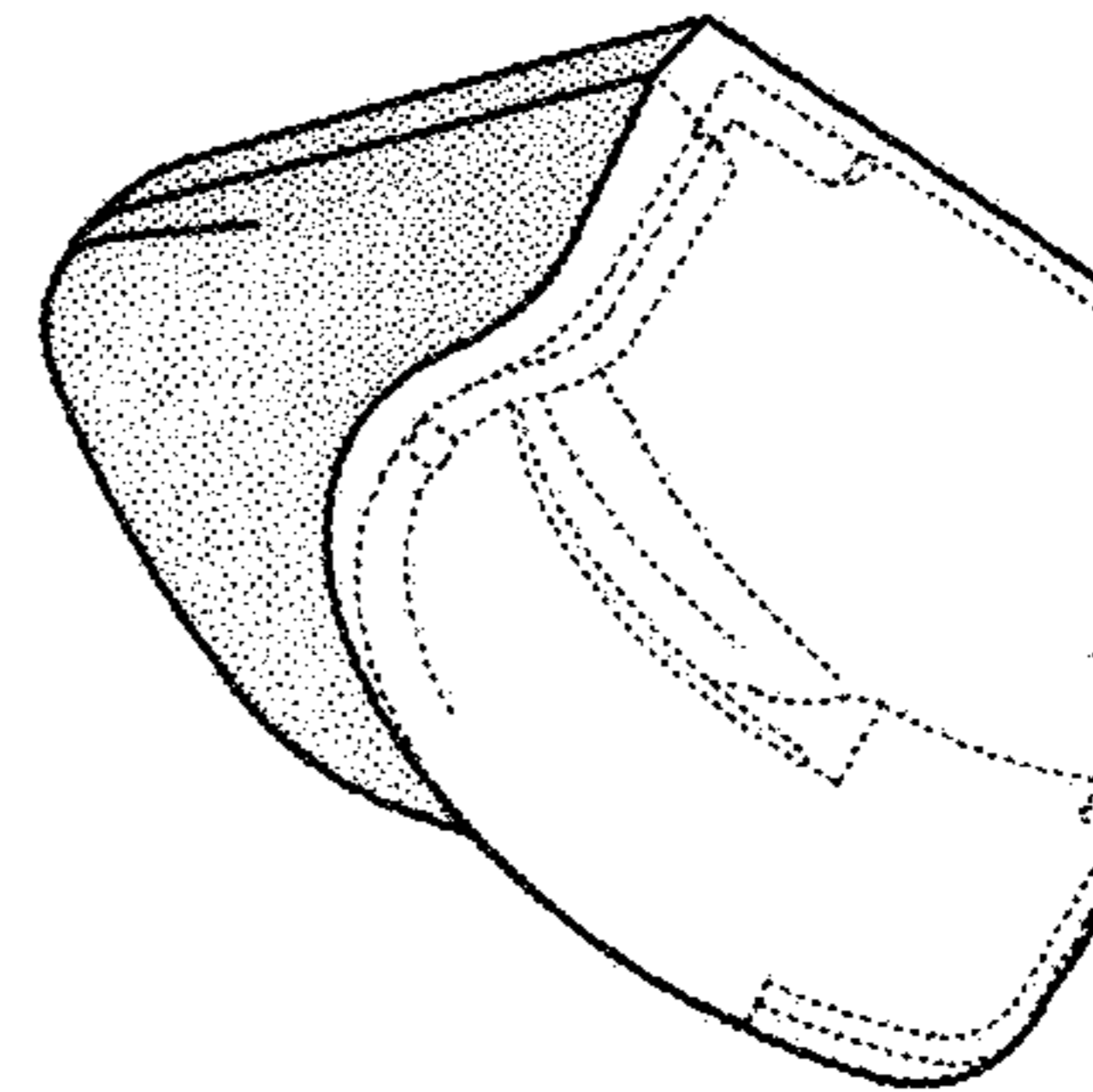


Figure 20

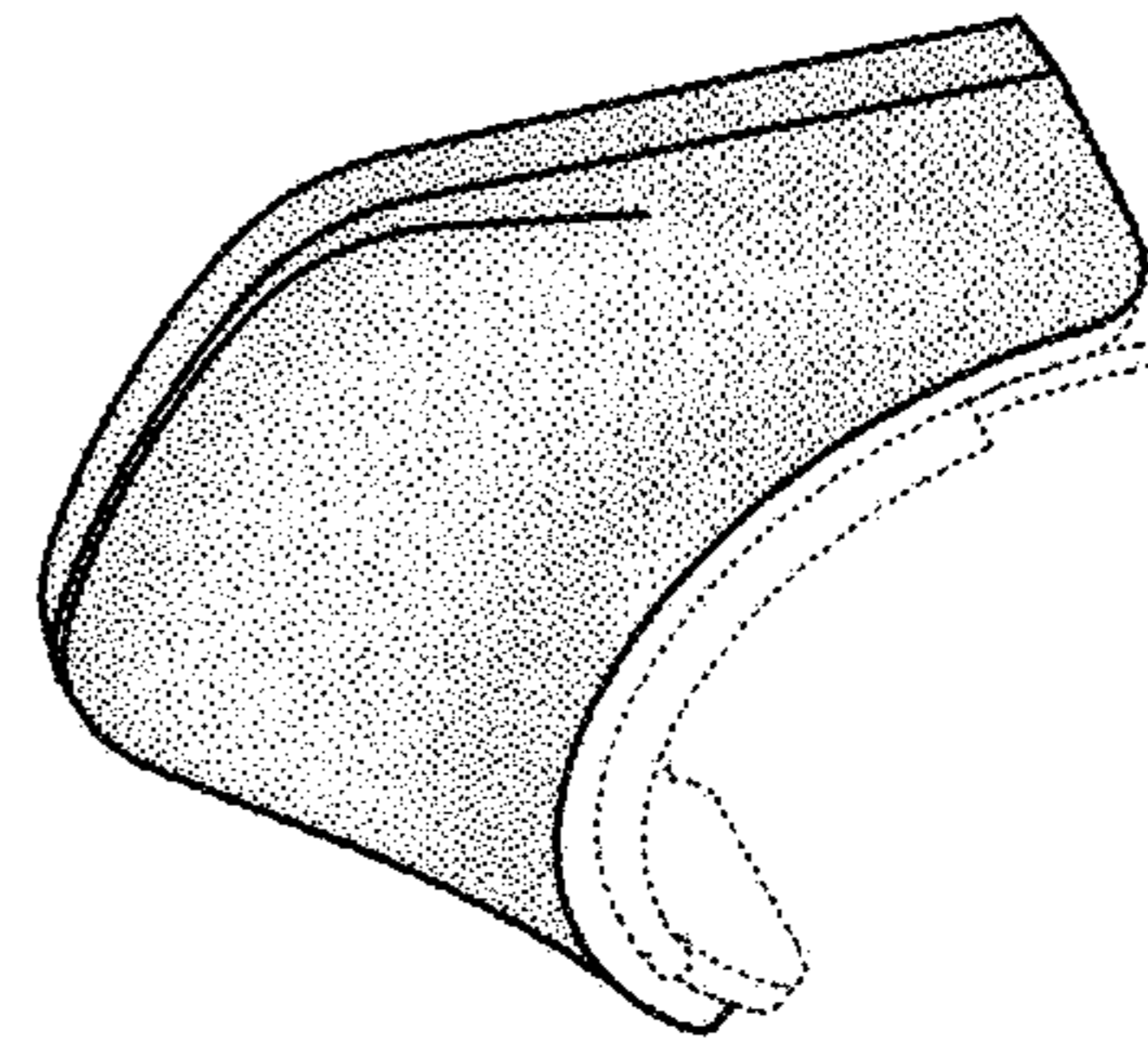


Figure 21



UNITED STATES PATENT AND TRADEMARK OFFICE  
**CERTIFICATE OF CORRECTION**

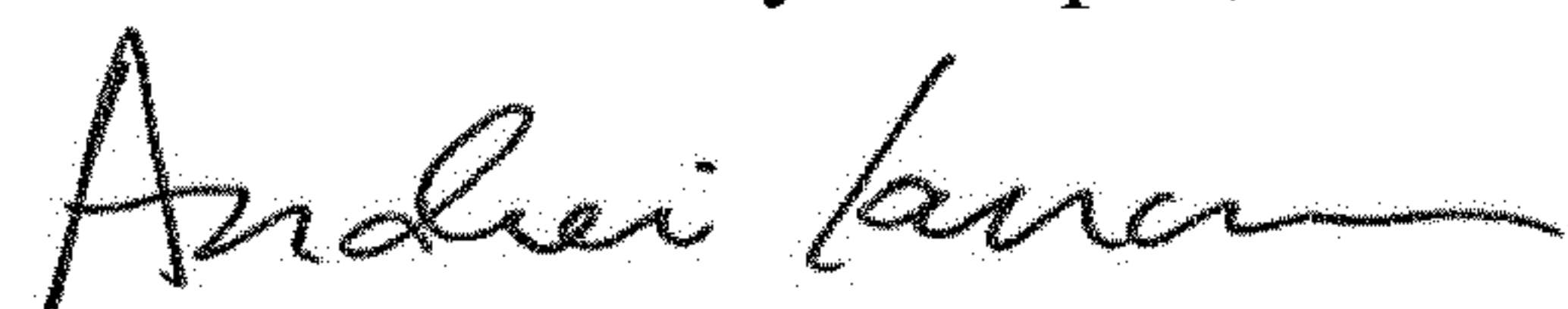
PATENT NO. : D829,692 S  
APPLICATION NO. : 29/579654  
DATED : October 2, 2018  
INVENTOR(S) : Paschke et al.

Page 1 of 6

It is certified that error appears in the above-identified patent and that said Letters Patent is hereby corrected as shown below:

Please delete Patent No. D829,692 S in its entirety and insert Patent No. D829,692 S in its entirety as shown on the attached pages.

Signed and Sealed this  
Fourteenth Day of April, 2020



Andrei Iancu  
*Director of the United States Patent and Trademark Office*

(12) **United States Design Patent** (10) **Patent No.:** **US D829,692 S**  
**Paschke et al.** (45) **Date of Patent:** **\*\* \*Oct. 2, 2018**

(54) **WING OF AN EAR BUD**

(56) **References Cited**

(71) Applicant: **Fitbit, Inc.**, San Francisco, CA (US)  
 (72) Inventors: **Brian Dennis Paschke**, San Francisco, CA (US); **Mark Woolhiser Huang**, Burlingame, CA (US); **Gregoire Ludovic Vincent Vandebussche**, San Francisco, CA (US); **Jonah Avram Becker**, San Francisco, CA (US); **Derek Jenchia Loh**, San Carlos, CA (US); **Bernhard Wildner**, San Francisco, CA (US)

U.S. PATENT DOCUMENTS

1,528,080 A *	3/1925	Scher .....	A61F 11/008 181/133
2,430,229 A	11/1947	Kelsey	
2,478,376 A *	8/1949	De Swart .....	B42F 1/10 24/562
D206,665 S *	1/1967	Sanzone .....	D24/174
D206,797 S *	1/1967	Kusisto .....	24/7
3,440,365 A *	4/1969	Hazell .....	H04M 1/05 379/430
D258,091 S	1/1981	Reed et al.	
D275,842 S	10/1984	Gilbert et al.	
4,579,112 A *	4/1986	Scott .....	A61F 11/08 128/864
D317,593 S	6/1991	Rowen	
D326,655 S	6/1992	Iribe	
D339,806 S	9/1993	Grinkus	
D351,828 S	10/1994	Pucci et al.	
D366,262 S	1/1996	Inaba	
5,579,669 A *	12/1996	Kind .....	A23G 3/563 242/588.6
5,659,156 A *	8/1997	Mauney .....	H04R 1/1016 181/130
D395,891 S	7/1998	Gerba et al.	
D406,187 S	3/1999	Garcia-Gutierrez	
D409,510 S	5/1999	McDonald	
D415,496 S	10/1999	Gerba et al.	
D421,014 S	2/2000	Smith	
D424,577 S	5/2000	Backs et al.	
D427,994 S *	7/2000	Pirelli .....	D14/223
6,122,369 A	9/2000	Hwang et al.	
6,122,388 A *	9/2000	Feldman .....	H04R 25/604 381/322
D435,580 S	12/2000	Grinkus	
D439,574 S	3/2001	Katayama	
6,386,314 B1 *	5/2002	Sheehan .....	A61B 5/12 181/129
6,482,516 B1	11/2002	Sadek et al.	
D483,281 S	12/2003	Cobigo	
D496,638 S	9/2004	Deubler, Jr.	
D500,485 S	1/2005	Deguchi	
D511,768 S	11/2005	Naito et al.	
D532,520 S	11/2006	Kampmeier et al.	
D535,642 S	1/2007	Garcia et al.	
D550,202 S	9/2007	Meier et al.	
D557,624 S	12/2007	Coster et al.	
D565,033 S *	3/2008	Goransson .....	D14/223
D566,537 S *	4/2008	Wen-Po .....	D8/395
D569,841 S	5/2008	Chung et al.	

(73) Assignee: **Fitbit, Inc.**, San Francisco, CA (US)  
 (\*) Notice: This patent is subject to a terminal disclaimer.  
 (\*\*) Term: **15 Years**

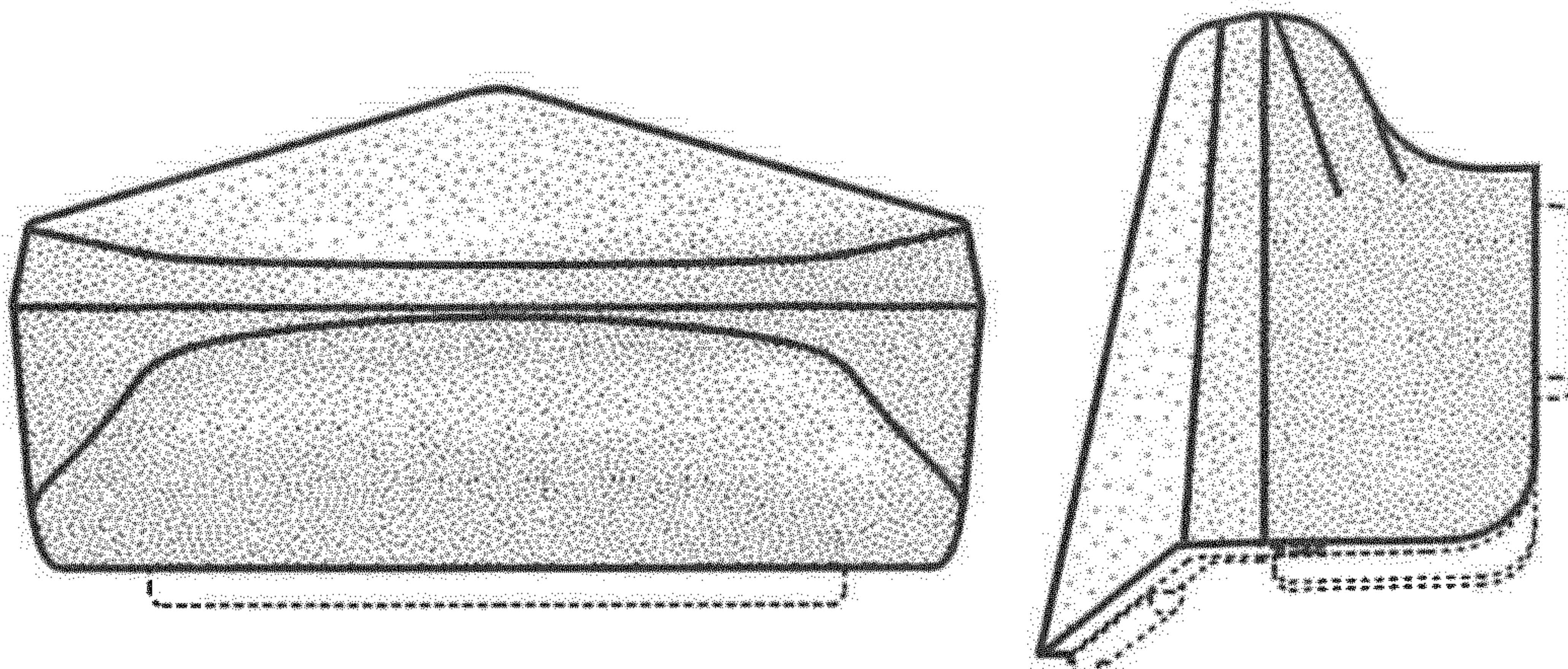
(21) Appl. No.: **29/579,654**  
 (22) Filed: **Sep. 30, 2016**

**Related U.S. Application Data**

(63) Continuation of application No. 29/579,651, filed on Sep. 30, 2016, now Pat. No. Des. 817,920.

(51) **LOC (12) Cl.** **14-01**  
 (52) **U.S. Cl.**  
 USPC **D14/223; D14/205**

(58) **Field of Classification Search**  
 USPC ..... D14/205, 223, 188, 192; D24/174; 379/430, 431; 181/129, 130, 135; 381/380, 381, 382, 384, 370, 379; 455/90.3, 575.1, 569.1  
 CPC ..... H04R 1/1016; H04R 1/10; H04R 25/00; H04R 25/02; H04R 5/033; H04R 5/0335; H04R 1/1066; H04R 1/105; H04R 1/1008; H04R 1/1058; H04R 1/1091  
 See application file for complete search history.





US D829,692 S

Page 2

D572,703 S	7/2008	Ledbetter et al.	
D575,277 S *	8/2008	Gaarde .....	D14/205
D578,508 S	10/2008	Wang	
D584,284 S	1/2009	Carr et al.	
D591,274 S *	4/2009	Khubani .....	D14/223
D594,442 S	6/2009	Chon et al.	
D597,084 S *	7/2009	Gondo .....	D14/223
D599,778 S	9/2009	Ando	
D604,269 S	11/2009	Choe	
D604,722 S *	11/2009	Mistry .....	D14/223
D605,170 S	12/2009	Keinanen	
D605,628 S	12/2009	Ando	
D637,183 S *	5/2011	March .....	D14/223
D640,242 S *	6/2011	Fahrendorff .....	D14/223
D641,010 S *	7/2011	Kwon .....	D14/223
D643,830 S	8/2011	Fish	
D647,081 S	10/2011	Kwon	
D649,957 S *	12/2011	Fahrendorff .....	D14/223
D652,822 S *	1/2012	Lee .....	D14/223
D658,157 S *	4/2012	McManigal .....	D14/205
8,175,315 B2	5/2012	Tanaka et al.	
D666,580 S	9/2012	Lee et al.	
D668,244 S *	10/2012	Matsumura .....	D14/223
D671,523 S	11/2012	Daniel	
D673,140 S *	12/2012	Kelly .....	D14/223
D673,531 S *	1/2013	Lee .....	D14/223
D698,026 S *	1/2014	Kuwata .....	D24/174
D698,750 S	2/2014	Yoon	
8,743,533 B2	6/2014	Stanley	
D711,356 S	8/2014	Yang	
D712,884 S	9/2014	Krauss et al.	
D722,040 S	2/2015	Tan et al.	
D725,625 S	3/2015	Hsieh et al.	
D726,145 S	4/2015	Hsieh et al.	
D727,871 S	4/2015	Orbach	
D732,509 S *	6/2015	Brunner .....	H04R 25/00 D14/223
D739,852 S	9/2015	Jiang et al.	
D742,861 S *	11/2015	Miyake .....	D14/223
D743,381 S	11/2015	Pi et al.	
D743,949 S *	11/2015	Miyake .....	D14/223
D745,489 S	12/2015	Bjelle	
D756,959 S	5/2016	Lee et al.	
D764,445 S *	8/2016	Czaniecki .....	D14/223
D767,532 S	9/2016	Jen	
D774,490 S	12/2016	Lin	
D775,609 S *	1/2017	Lee .....	D14/223
D776,641 S *	1/2017	Rochat .....	D14/223
D776,642 S *	1/2017	Otani .....	D14/223
D780,154 S *	2/2017	Jaynes .....	D14/205
D780,714 S	3/2017	Vogt, Jr. et al.	
D780,721 S *	3/2017	Brunner .....	D14/223
D786,216 S	5/2017	Silva et al.	
D788,603 S	6/2017	Liu	
D790,501 S	6/2017	Wang	
D795,109 S	8/2017	Olodort et al.	
D797,079 S *	9/2017	Houle .....	D14/223
D817,920 S	5/2018	Paschke et al.	
D818,457 S	5/2018	Paschke et al.	
2007/0116319 AI *	5/2007	Hagberg .....	H04R 1/1016 381/380
2009/0181082 AI	7/2009	Zuniga et al.	
2009/0296975 AI	12/2009	Uchida et al.	
2011/0155147 AI *	6/2011	McIntosh .....	A61F 11/08 128/864
2012/0087532 AI *	4/2012	Yang .....	H04R 1/10 381/380
2013/0077815 AI	3/2013	Stephenson	
2016/0073186 AI	3/2016	Searl et al.	
2016/0261946 AI	9/2016	Chen	
2017/0094384 AI *	3/2017	Trainer .....	H04R 1/105

OTHER PUBLICATIONS

U.S. Appl. No. 29/579,651, filed Sep. 30, 2016, Paschke et al.  
 U.S. Appl. No. 29/579,652, filed Sep. 30, 2016, Paschke et al.  
 U.S. Appl. No. 29/579,653, filed Sep. 30, 2016, Paschke et al.

Chinese Office Action [Brief Description in English], dated Jul. 27, 2017 issued in Application No. CN 201730098280.9.  
 U.S. Appl. No. 29/614,464, filed Aug. 18, 2017, Paschke et al.  
 U.S. Office Action, dated Sep. 6, 2017, issued in Design U.S. Appl. No. 29/579,651.  
 U.S. Restriction Requirement, dated Sep. 15, 2017, issued in Design U.S. Appl. No. 29/579,652.  
 U.S. Office Action, dated Nov. 29, 2017, issued in Design U.S. Appl. No. 29/579,652.  
 U.S. Office Action, dated Sep. 19, 2017, issued in Design U.S. Appl. No. 29/579,653.  
 U.S. Notice of Allowance, dated Dec. 27, 2017, issued in Design U.S. Appl. No. 29/579,651.  
 U.S. Notice of Allowance, dated Jan. 25, 2018, issued in Design U.S. Appl. No. 29/579,653.  
 US Corrected Notice of Allowability, dated Jul. 2, 2018, issued in Design U.S. Appl. No. 29/579,652.

\* cited by examiner

*Primary Examiner* — Paula Allen Greene  
 (74) *Attorney, Agent, or Firm* — Weaver Austin  
 Villeneuve & Sampson LLP

(57) CLAIM

We claim the ornamental design for the wing of an ear bud, as shown and described.

DESCRIPTION

FIG. 1 is a top view of an example wing of an earbud that may be attached to a bud of a headset.  
 FIG. 2 is a bottom view of the example wing of an earbud of FIG. 1.  
 FIG. 3 is a side view of the example wing of an earbud of FIG. 1; the wing of an earbud is symmetric in this view, so the opposing side view is the same.  
 FIG. 4 is a front view of the example wing of an earbud of FIG. 1.  
 FIG. 5 is a rear view of the example wing of an earbud of FIG. 1.  
 FIG. 6 is an off-angle view of the example wing of an earbud of FIG. 1.  
 FIG. 7 is an isometric view of the example wing of an earbud of FIG. 1.  
 FIG. 8 is a top view of an example wing of an earbud that may be attached to a bud of a headset; the wing of an ear bud depicted in FIGS. 8-14 correspond to FIGS. 1-7, respectively, but depict a larger-sized wing of an earbud.  
 FIG. 9 is a bottom view of the example wing of an earbud of FIG. 8.  
 FIG. 10 is a side view of the example wing of an earbud of FIG. 8; the wing of an earbud is symmetric in this view, so the opposing side view is the same.  
 FIG. 11 is a front view of the example wing of an earbud of FIG. 8.  
 FIG. 12 is a rear view of the example wing of an earbud of FIG. 8.  
 FIG. 13 is an off-angle view of the example wing of an earbud of FIG. 8.  
 FIG. 14 is an isometric view of the example wing of an earbud of FIG. 8.  
 FIG. 15 is a top view of an example wing of an earbud that may be attached to a bud of a headset; the wing of an ear bud depicted in FIGS. 15-21 correspond to FIGS. 1-7, respectively, but depict an even larger-sized wing of an earbud.  
 FIG. 16 is a bottom view of the example wing of an earbud of FIG. 15.



## US D829,692 S

Page 3

---

FIG. 17 is a side view of the example wing of an earbud of FIG. 15; the wing of an earbud is symmetric in this view, so the opposing side view is the same.

FIG. 18 is a front view of the example wing of an earbud of FIG. 15.

FIG. 19 is a rear view of the example wing of an earbud of FIG. 15.

FIG. 20 is an off-angle view of the example wing of an earbud of FIG. 15; and,

FIG. 21 is an isometric view of the example wing of an earbud of FIG. 15.

Each of the wings of an ear bud in the accompanying figures may be a part of an ear bud of a headset that may be placed, i.e., worn, in a person's ear.

Stipple shading is used in the accompanying Figures to convey surface contouring and not texture. The broken lines shown in the drawings illustrate portions of the wing of an earbud that form no part of the claimed design; in such unclaimed portions the shading has also been removed.

**1 Claim, 2 Drawing Sheets**

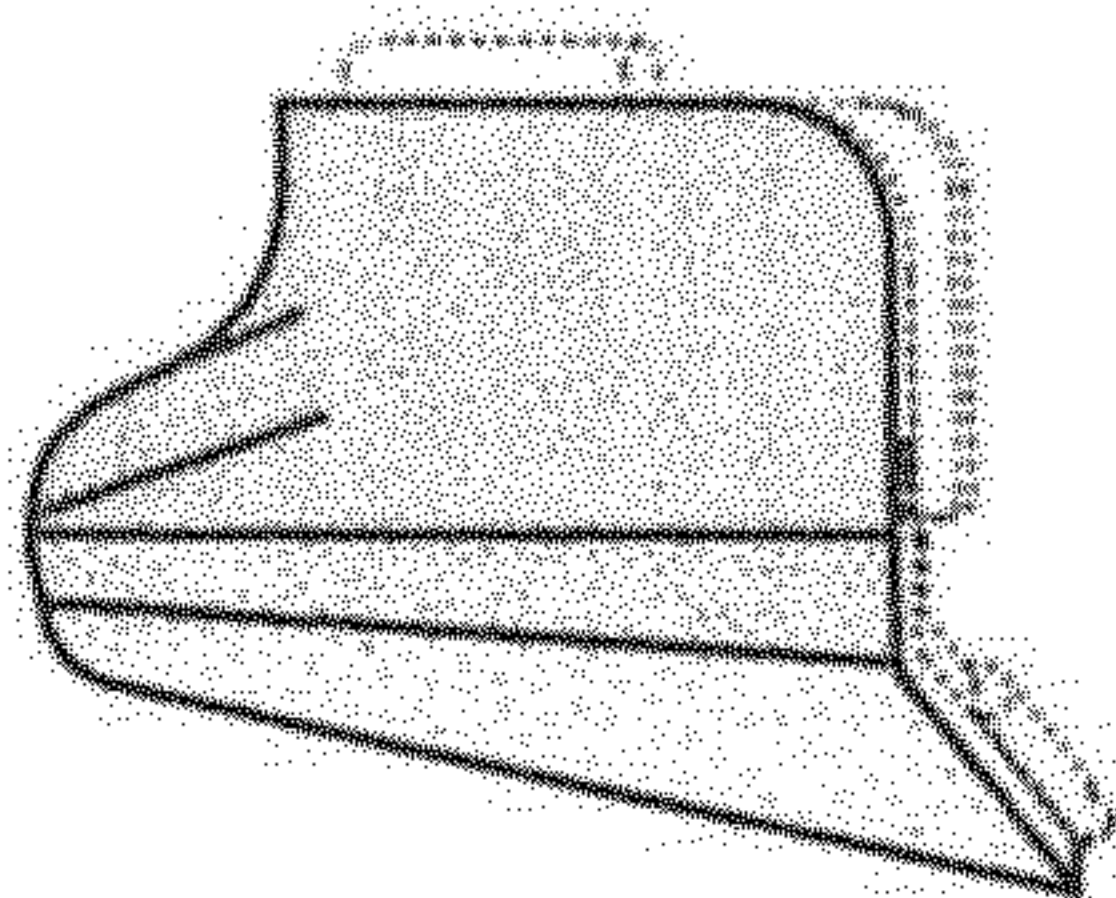


Figure 3

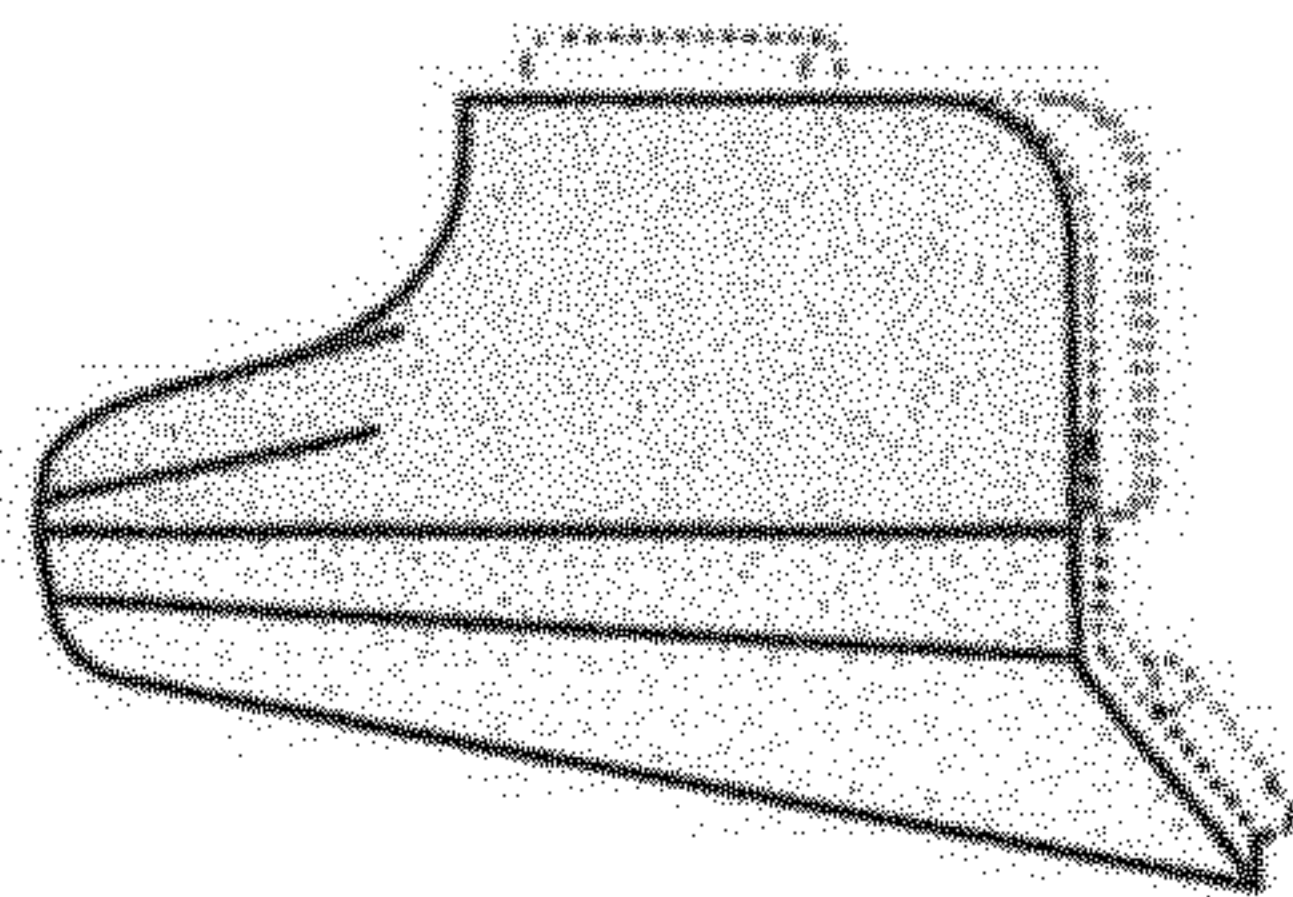


Figure 10

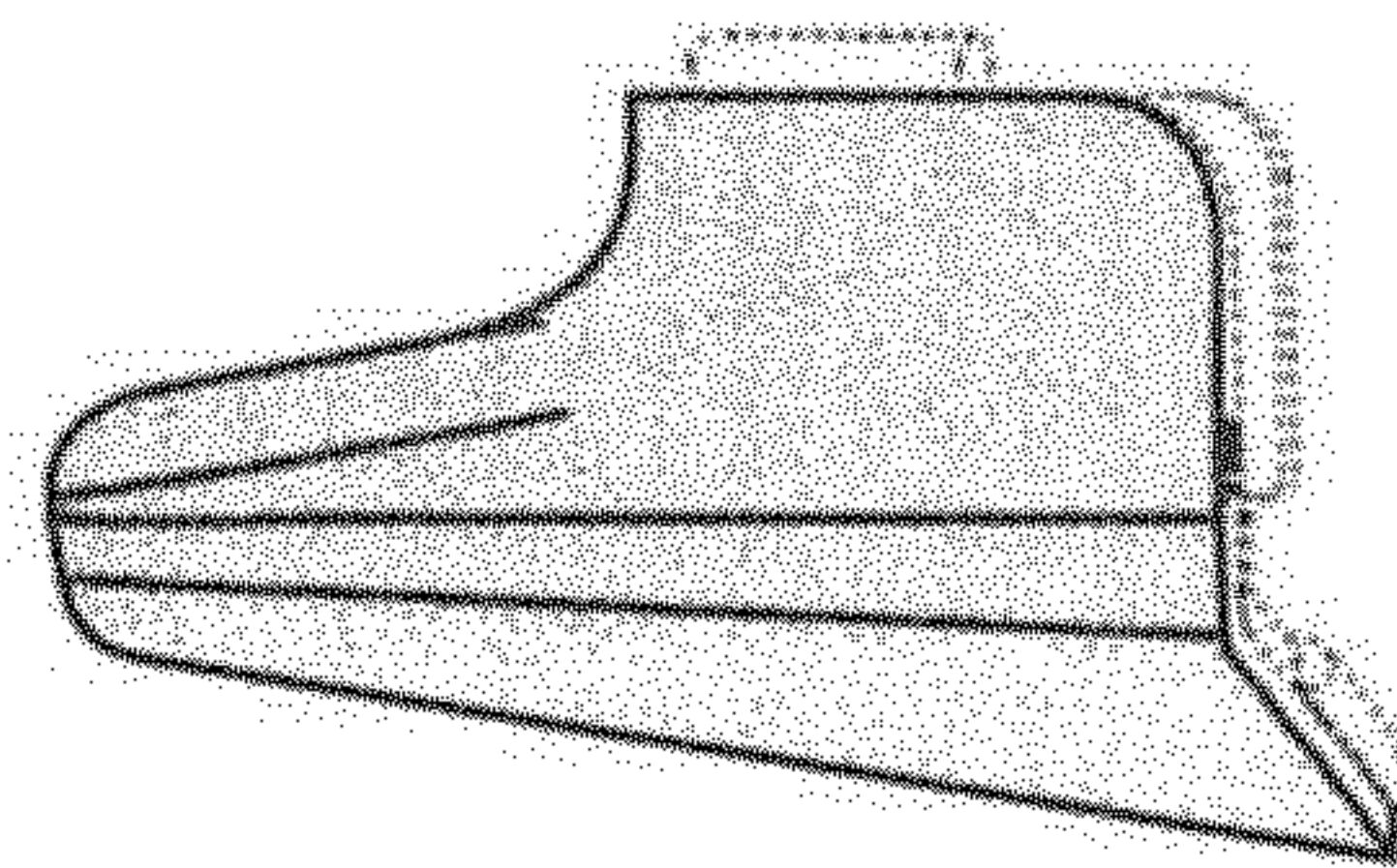


Figure 17

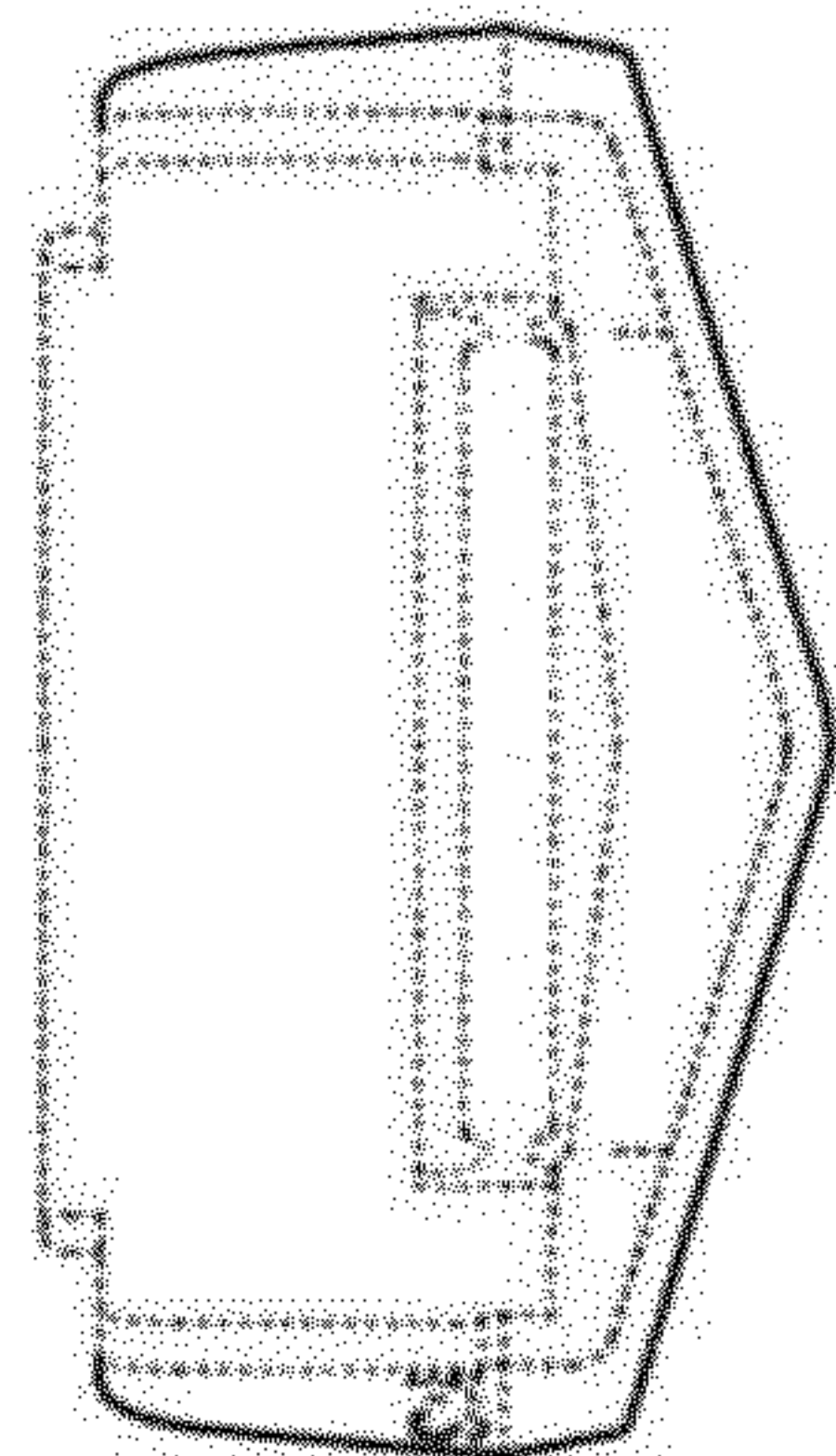


Figure 2

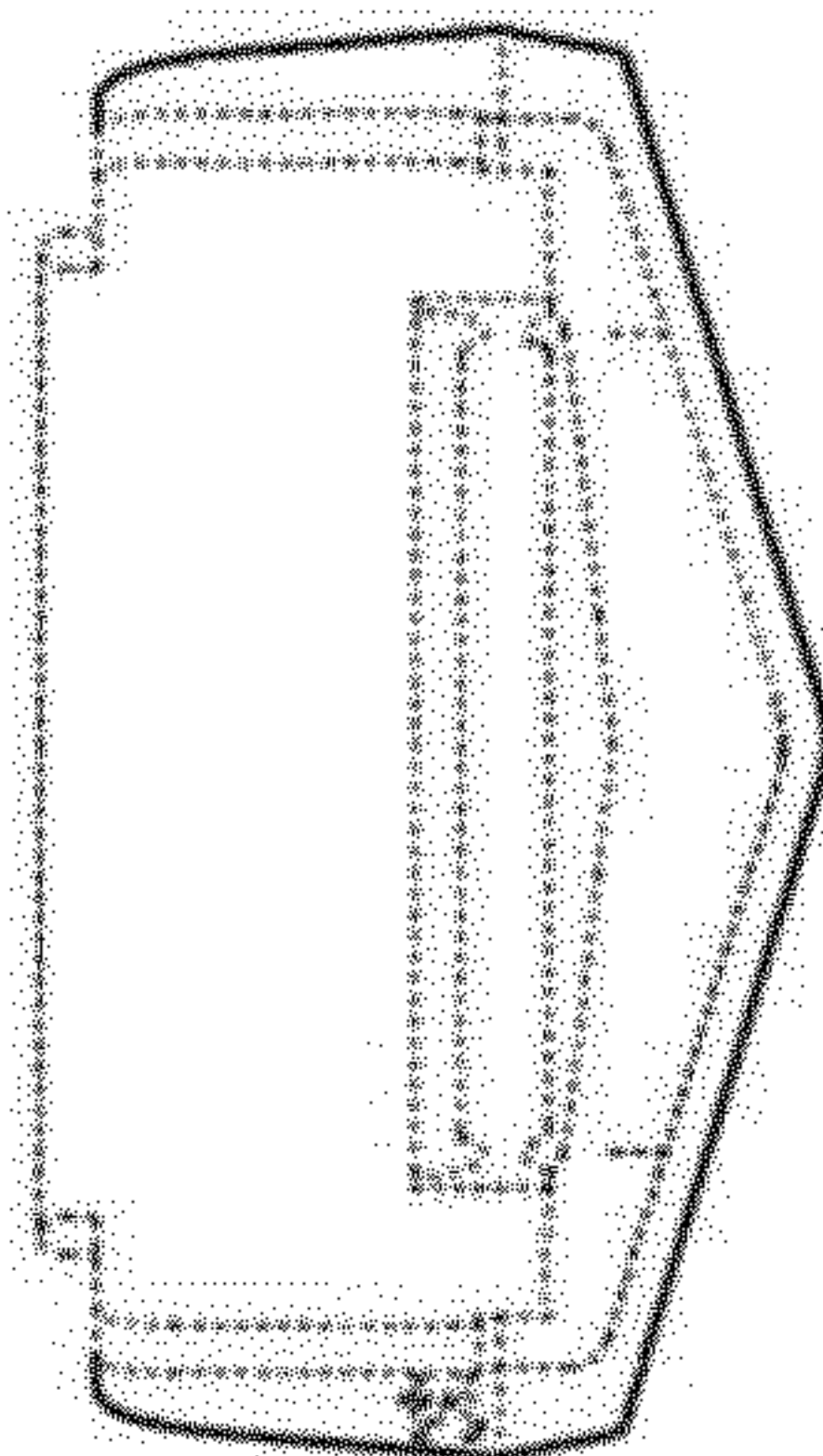


Figure 9

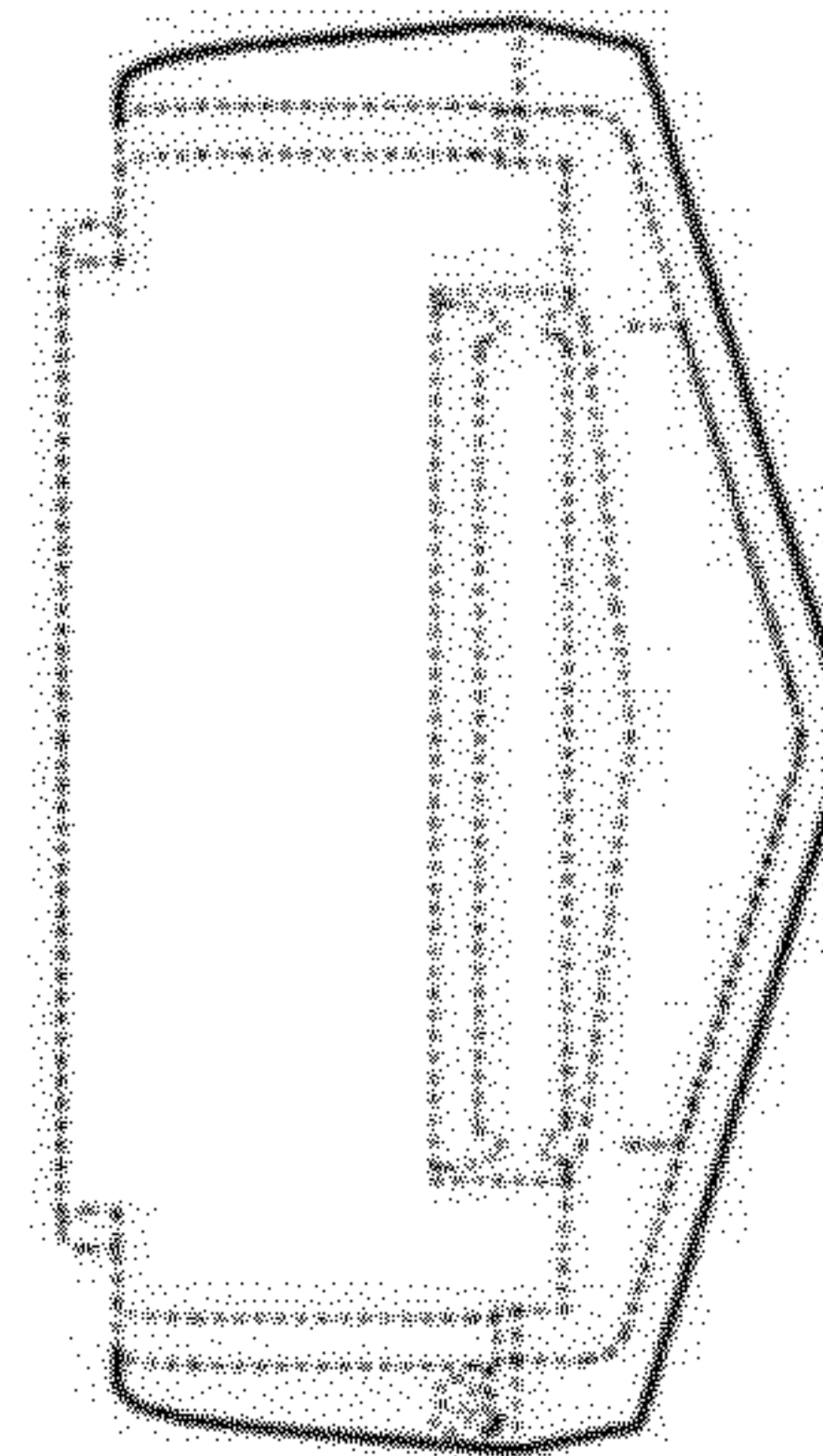


Figure 16

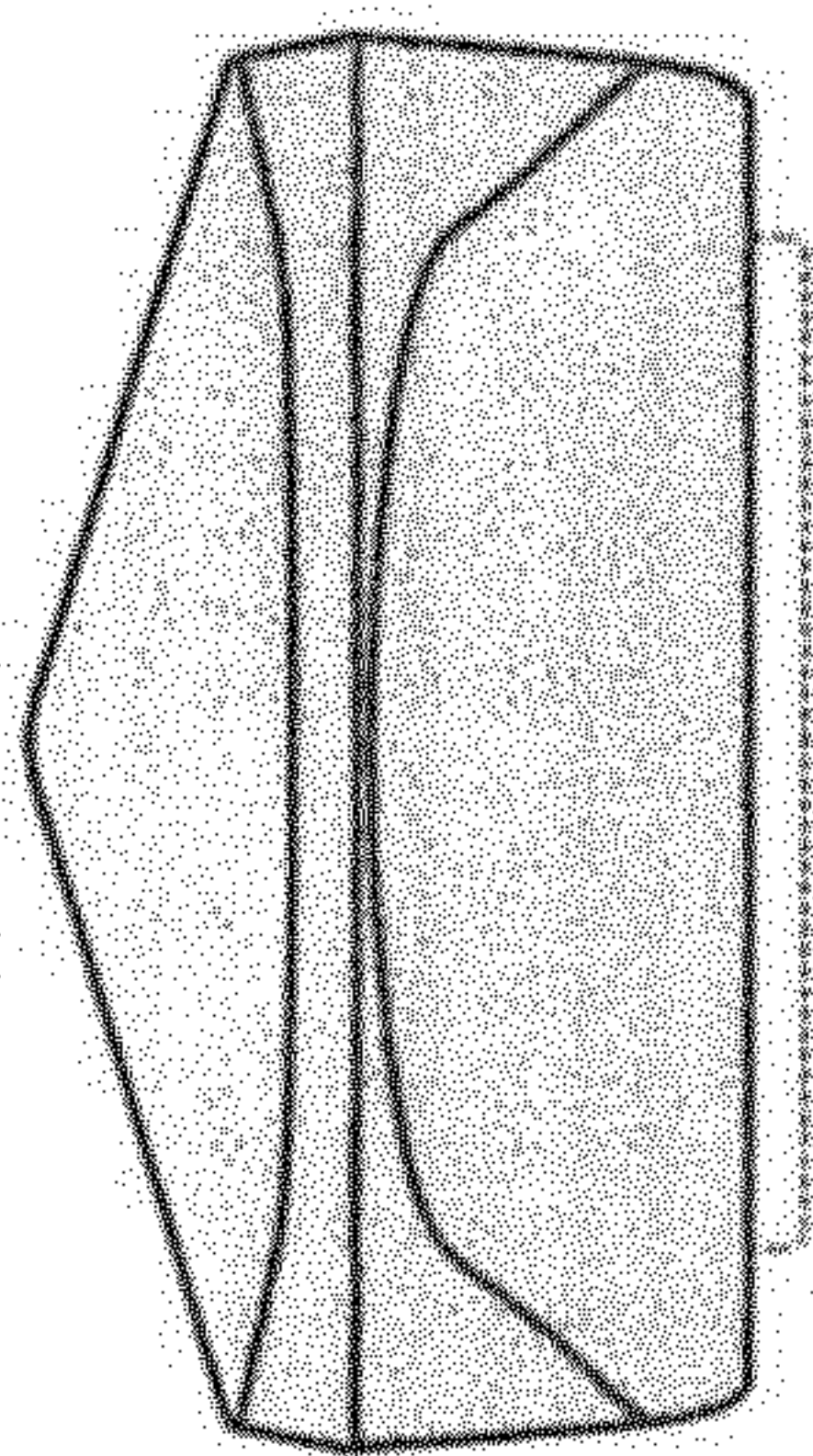


Figure 1

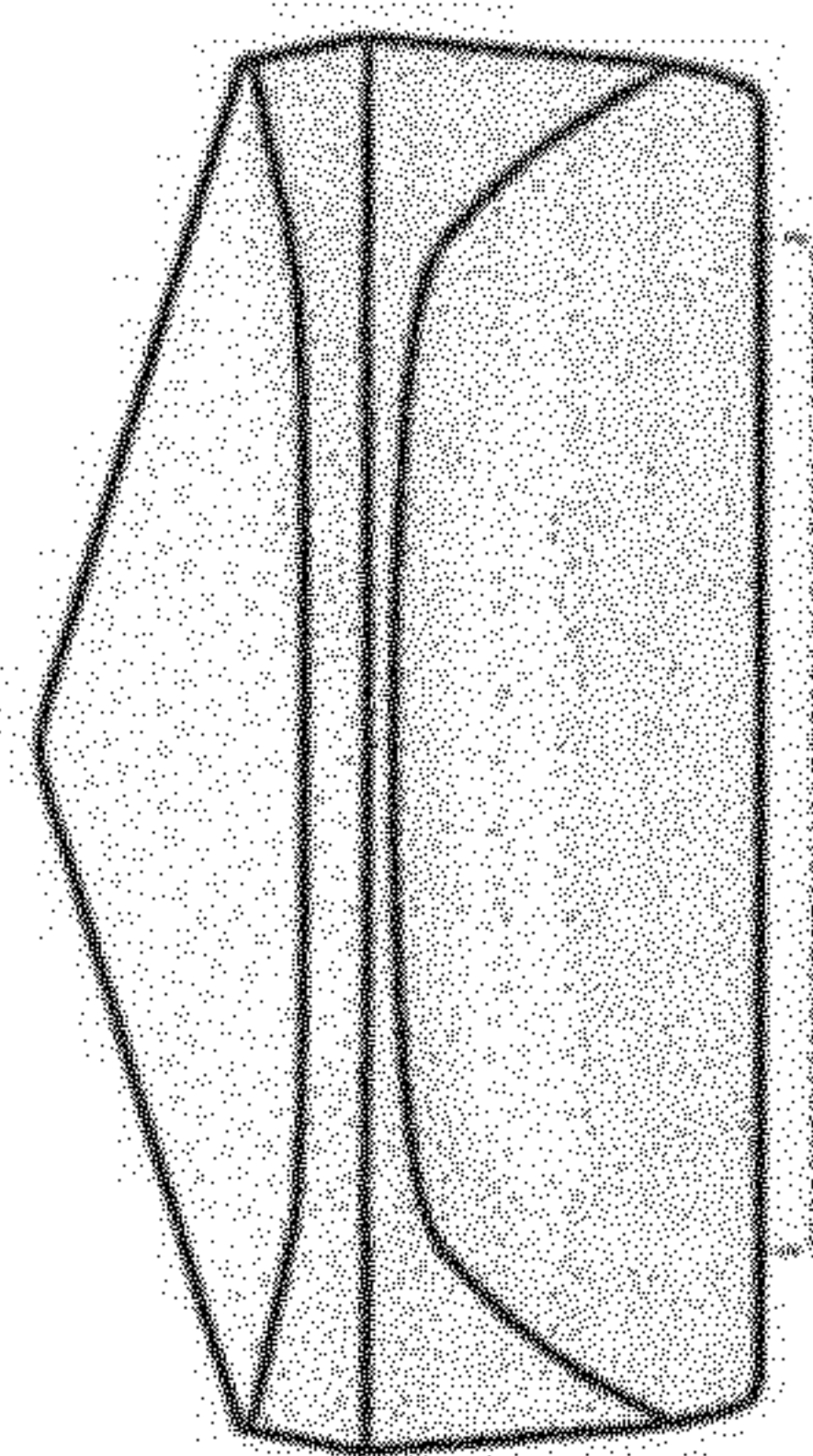


Figure 8

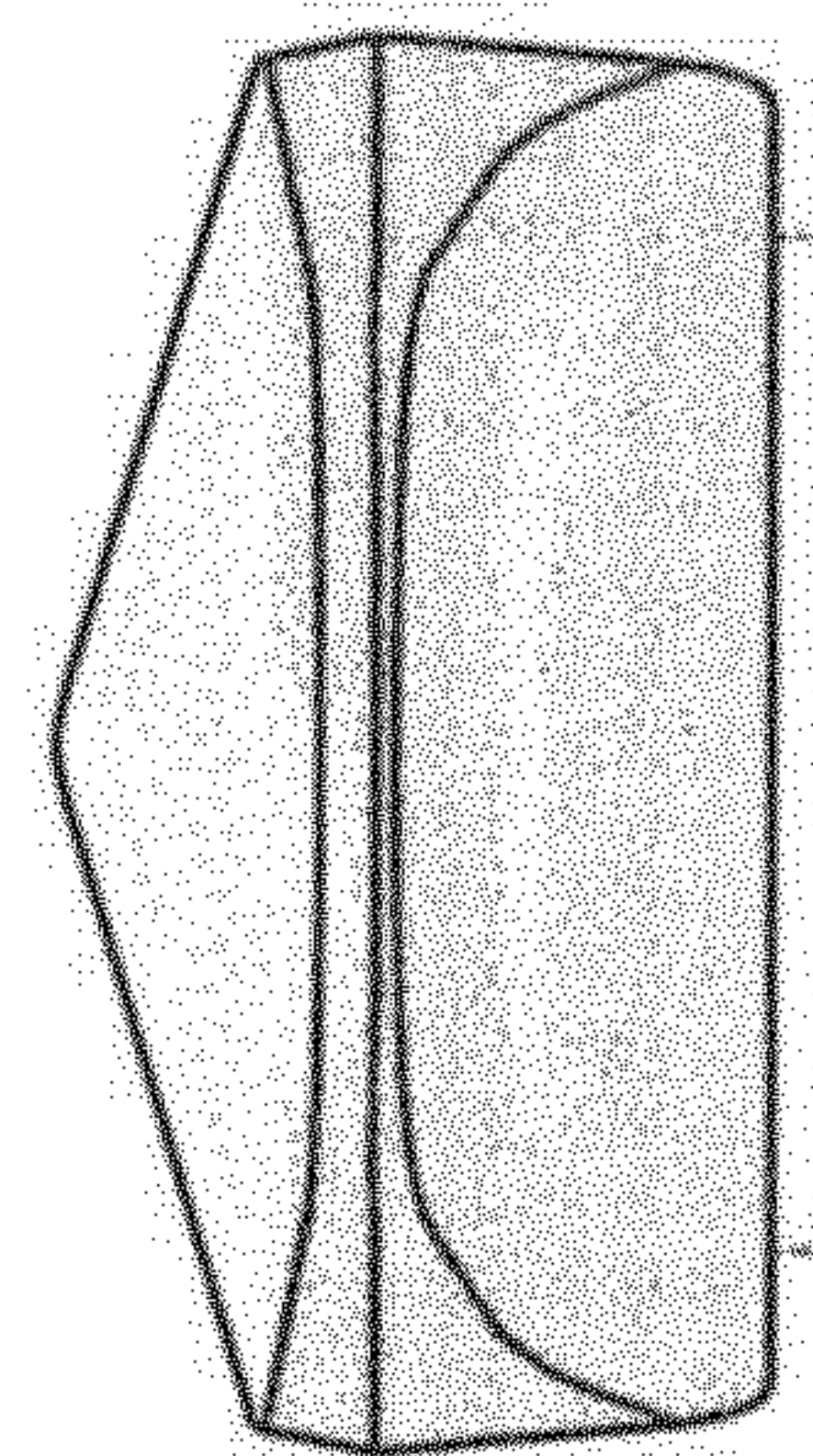


Figure 15



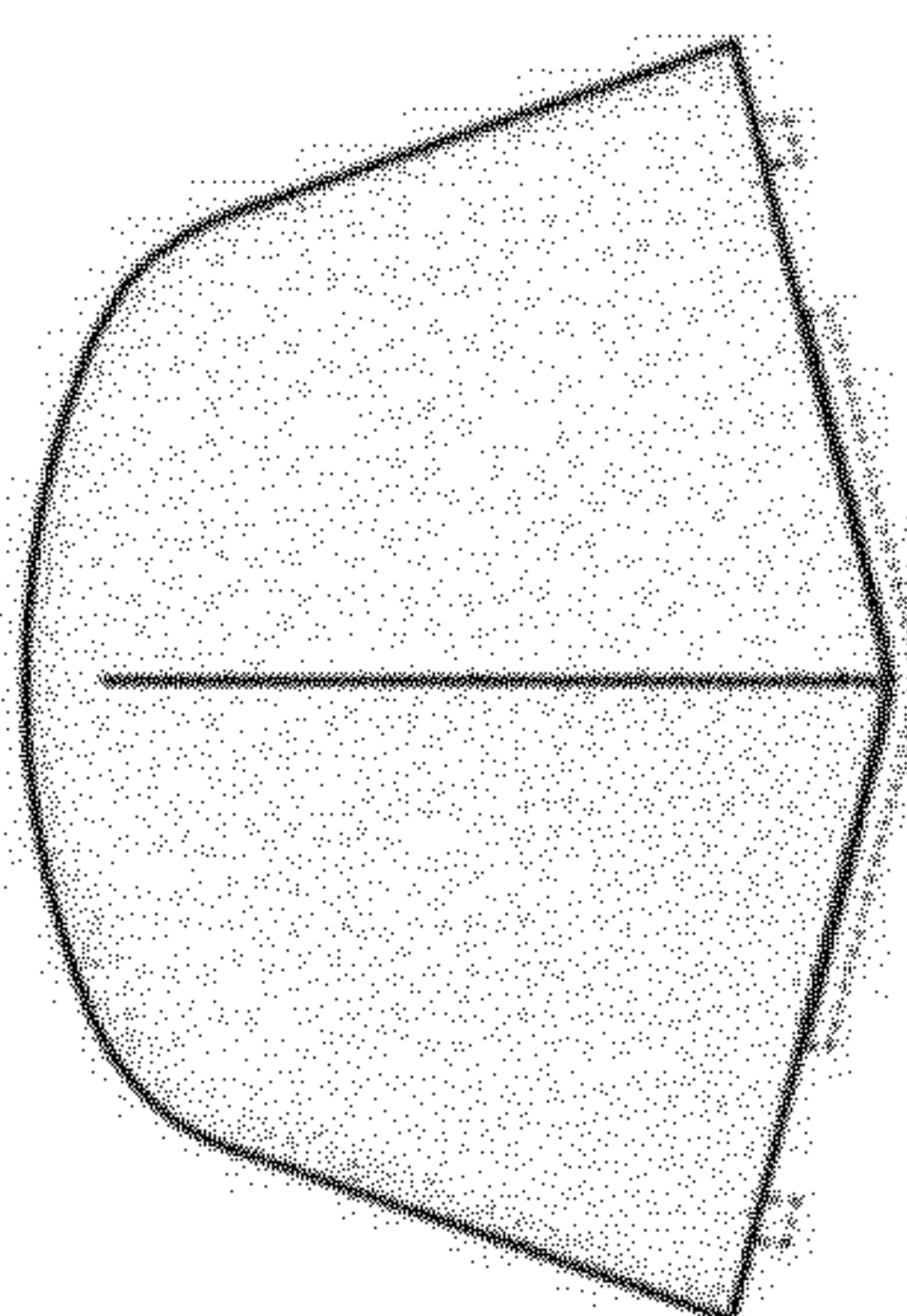


Figure 4

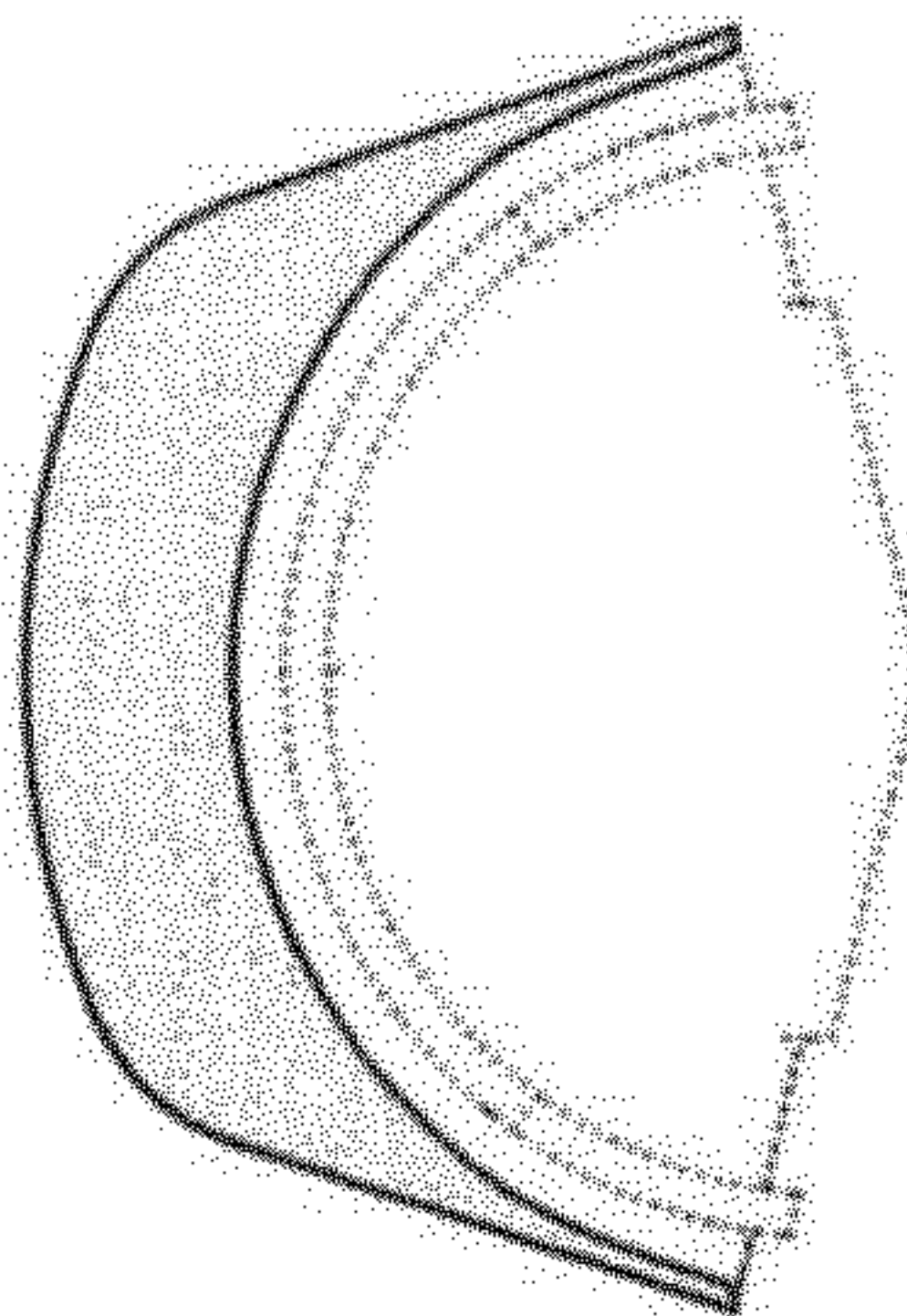


Figure 5

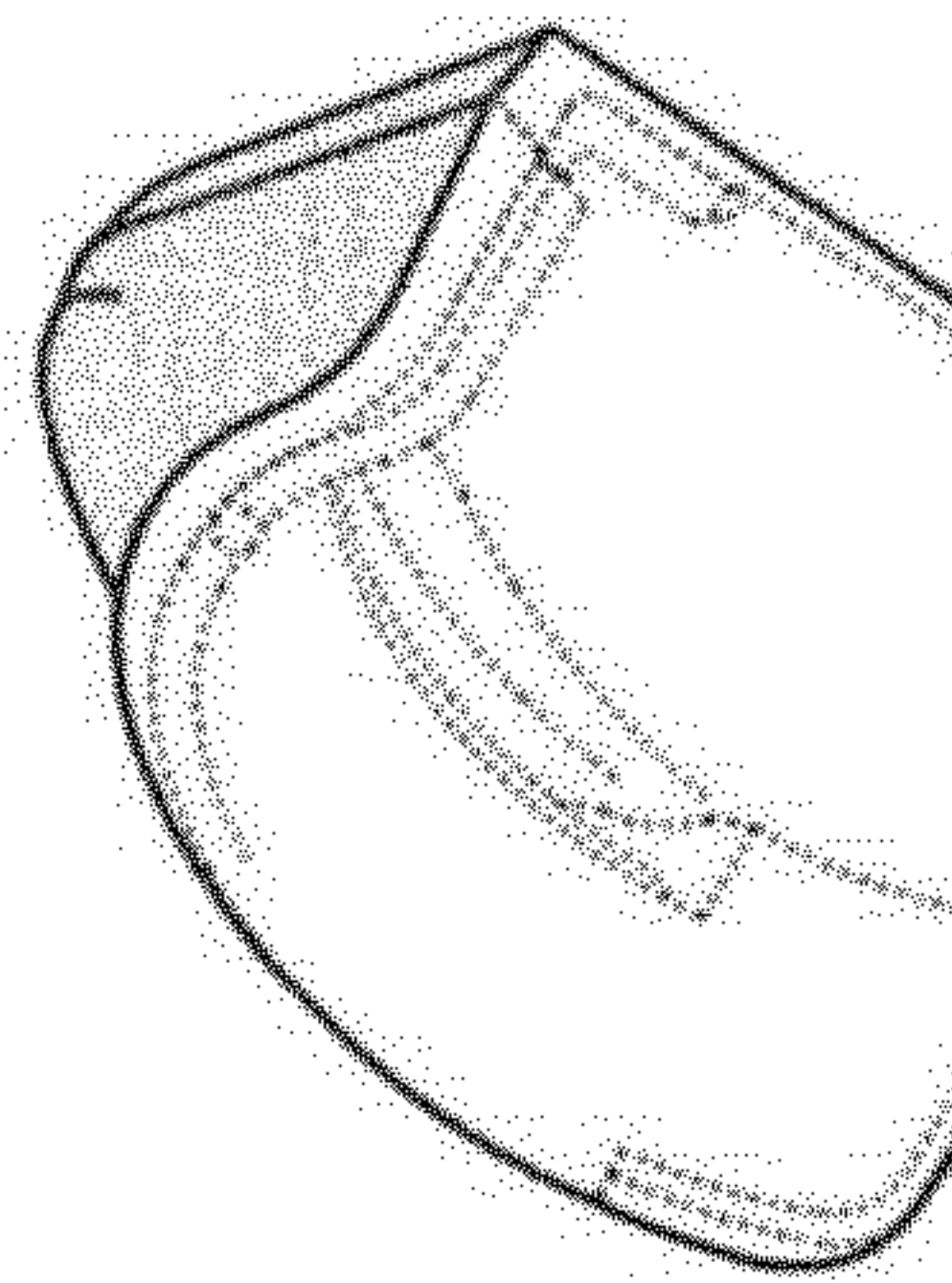


Figure 6

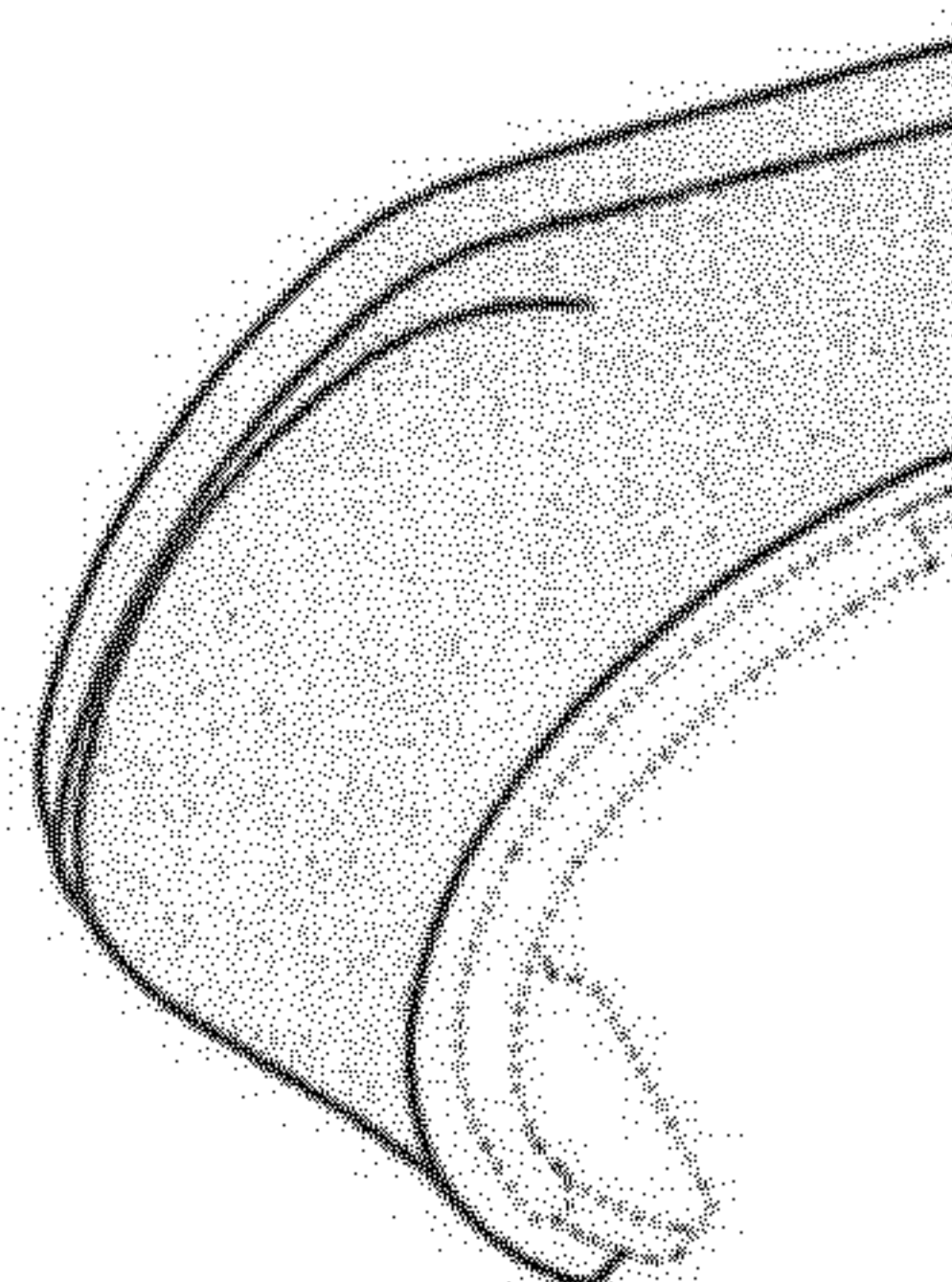


Figure 7

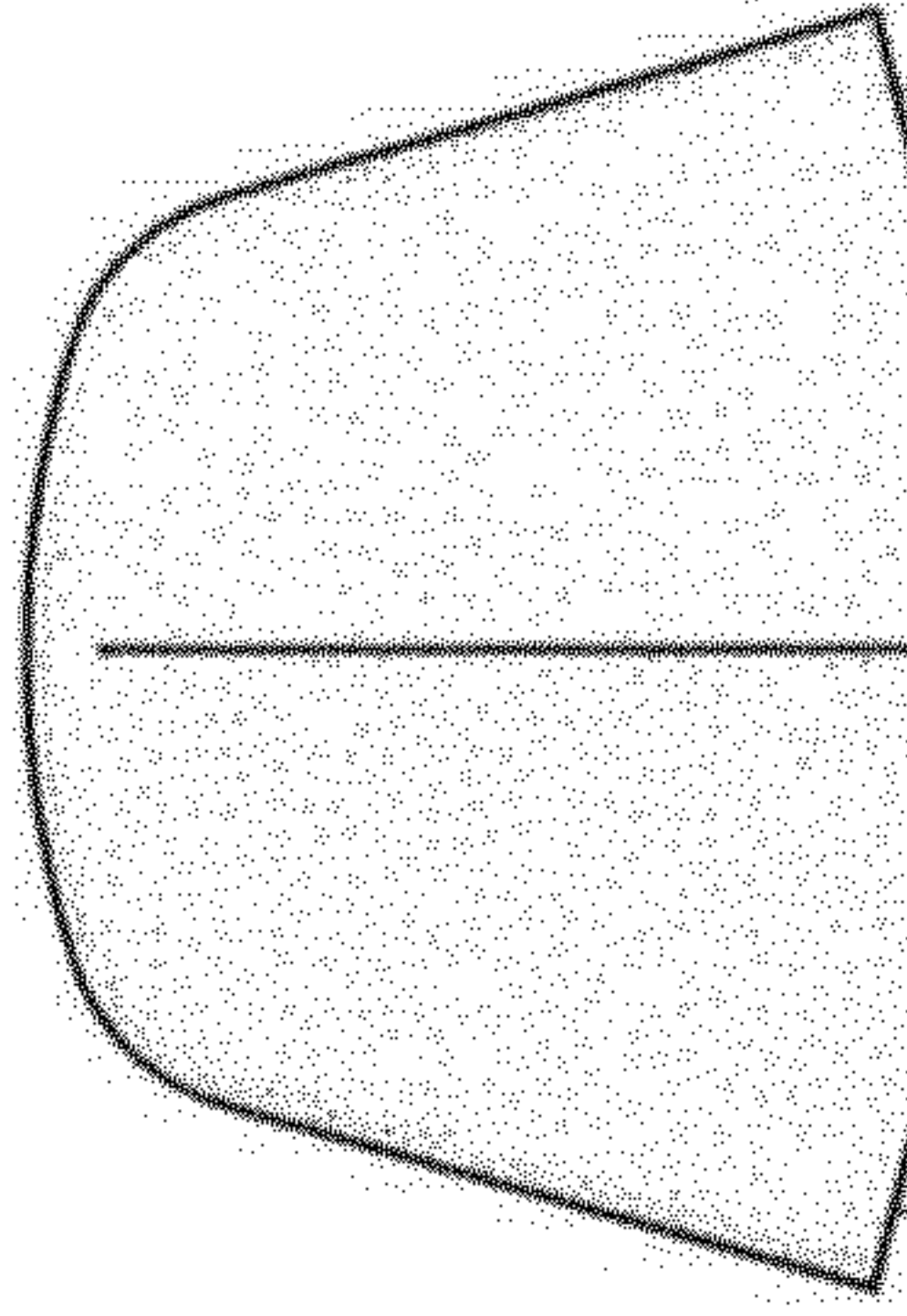


Figure 11

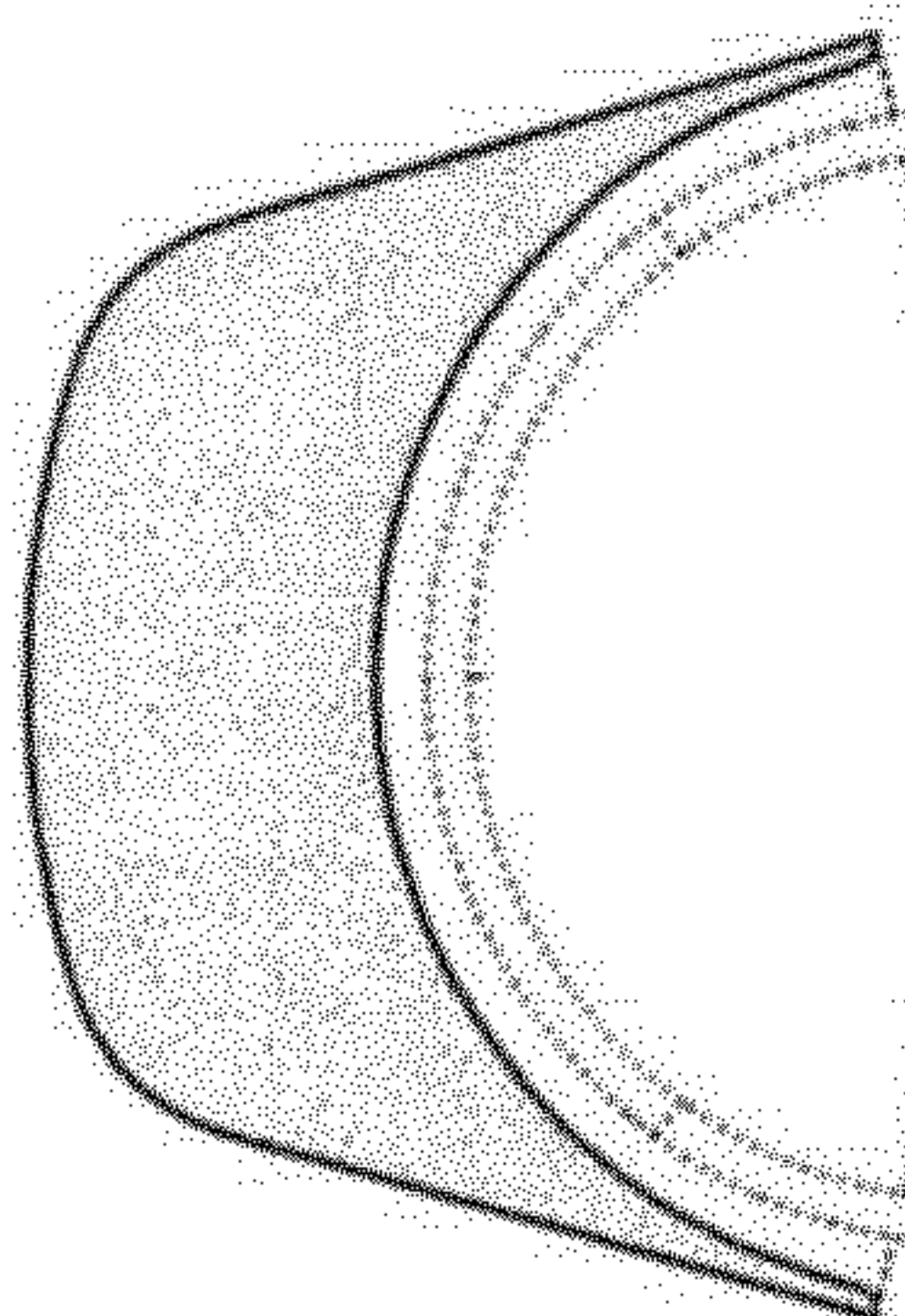


Figure 12

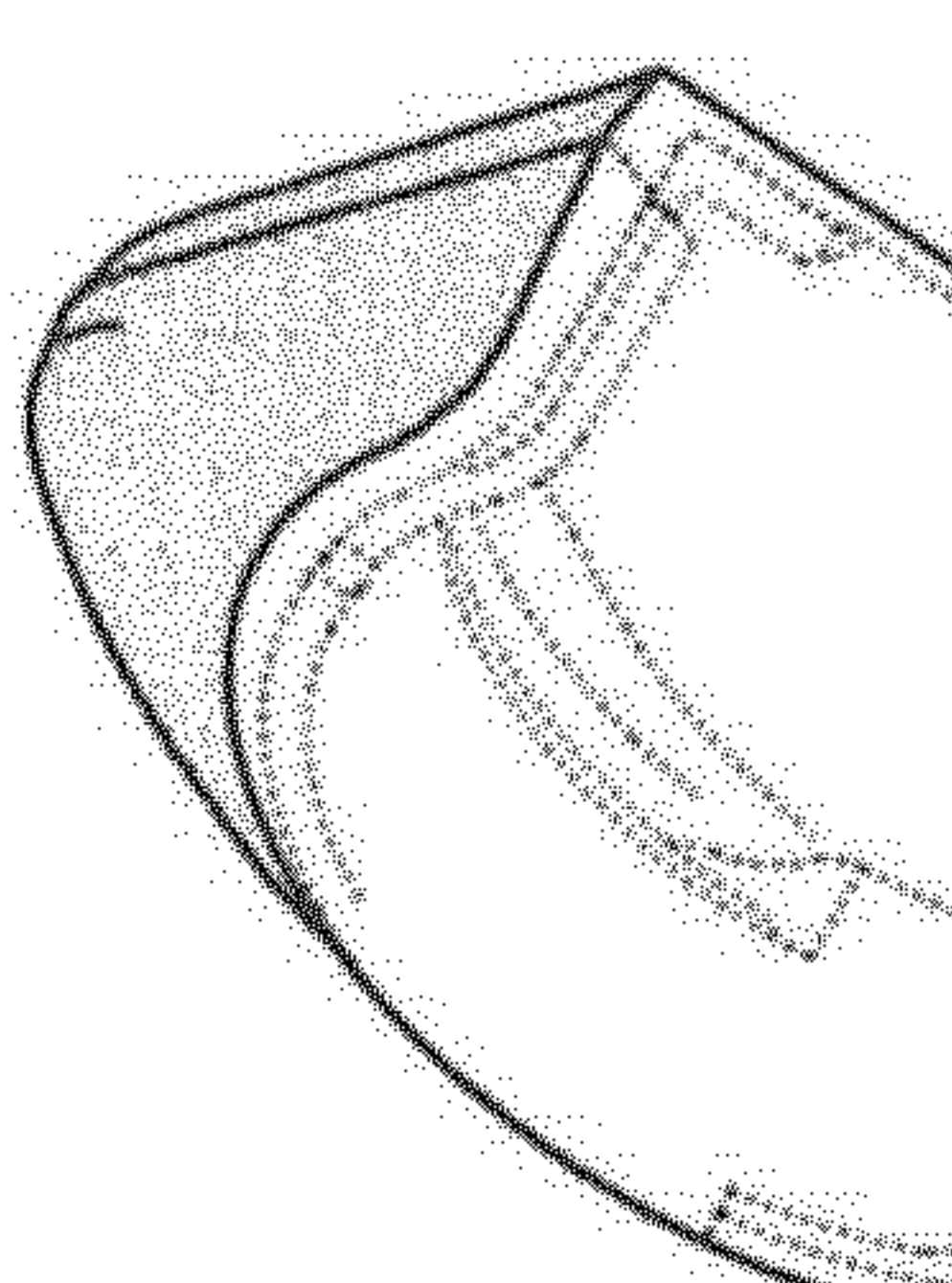


Figure 13

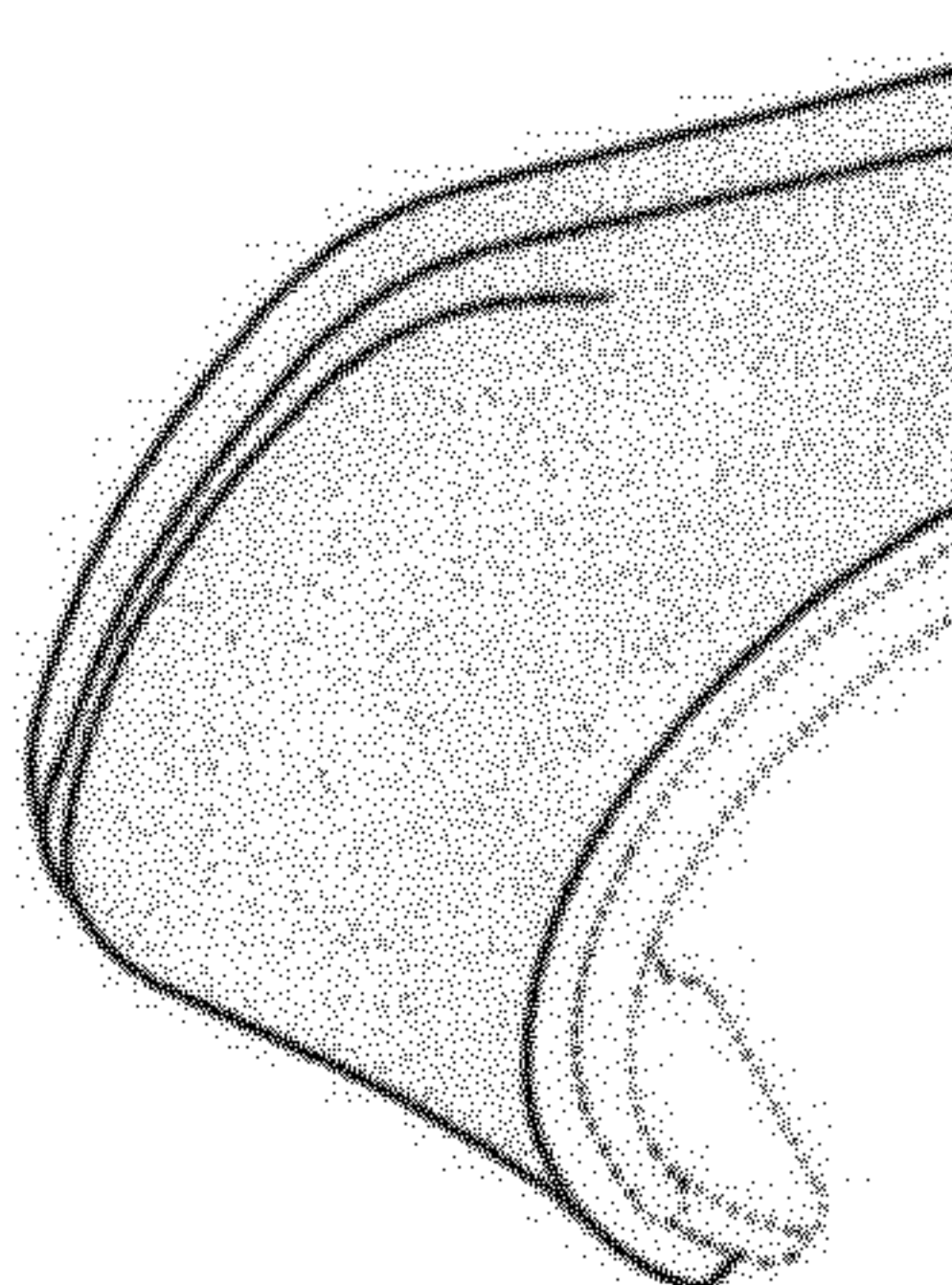


Figure 14

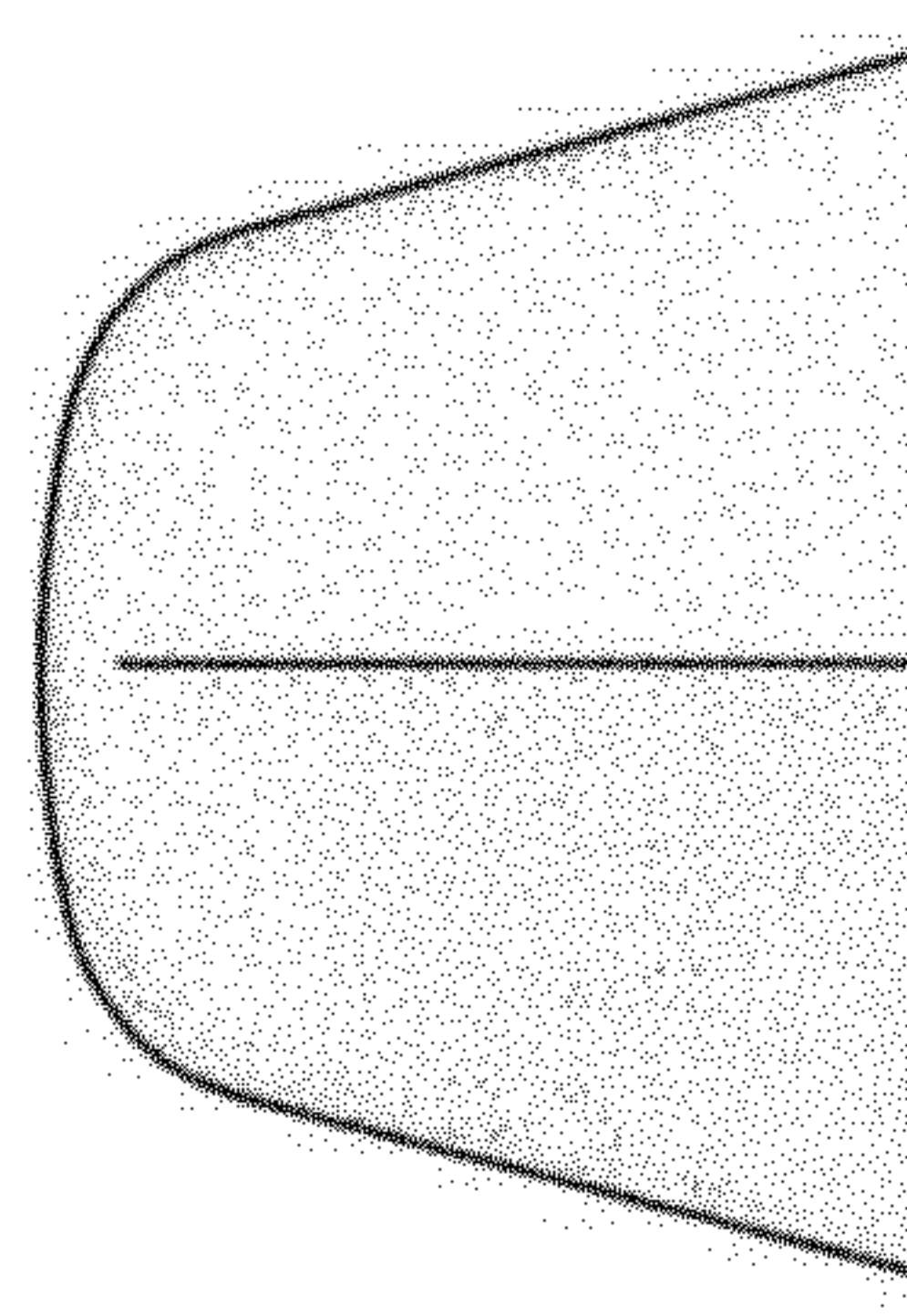


Figure 18

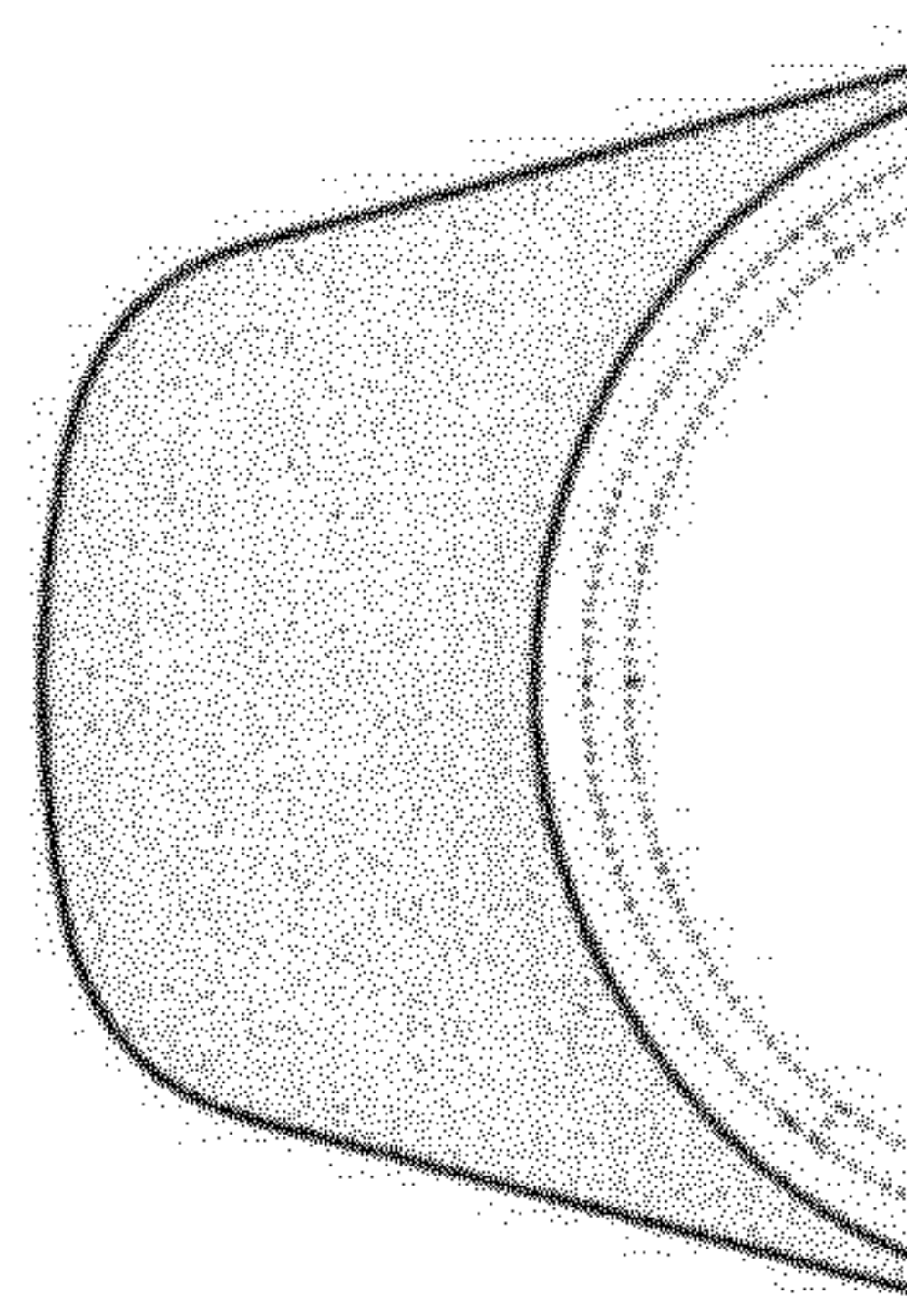


Figure 19

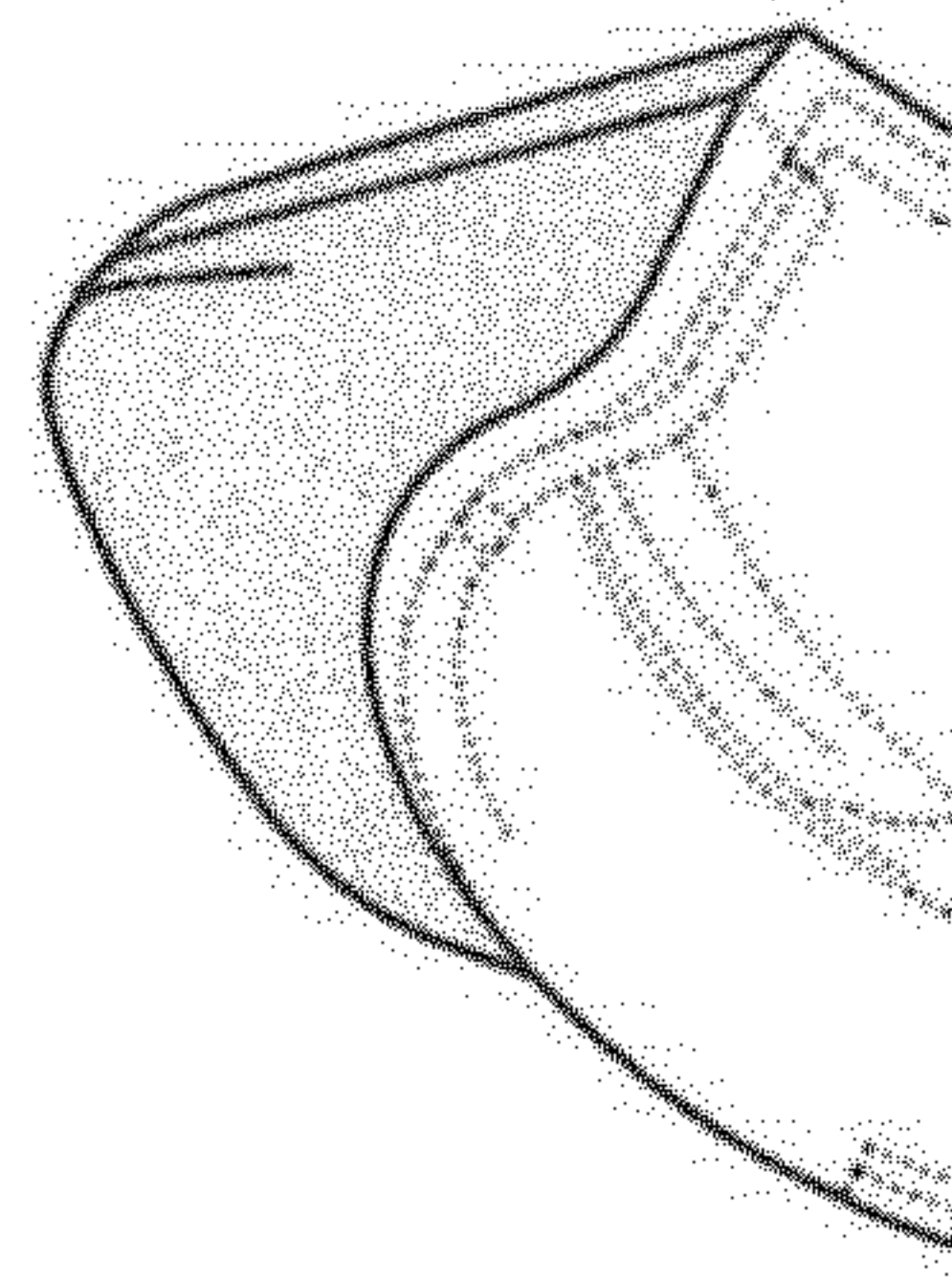


Figure 20

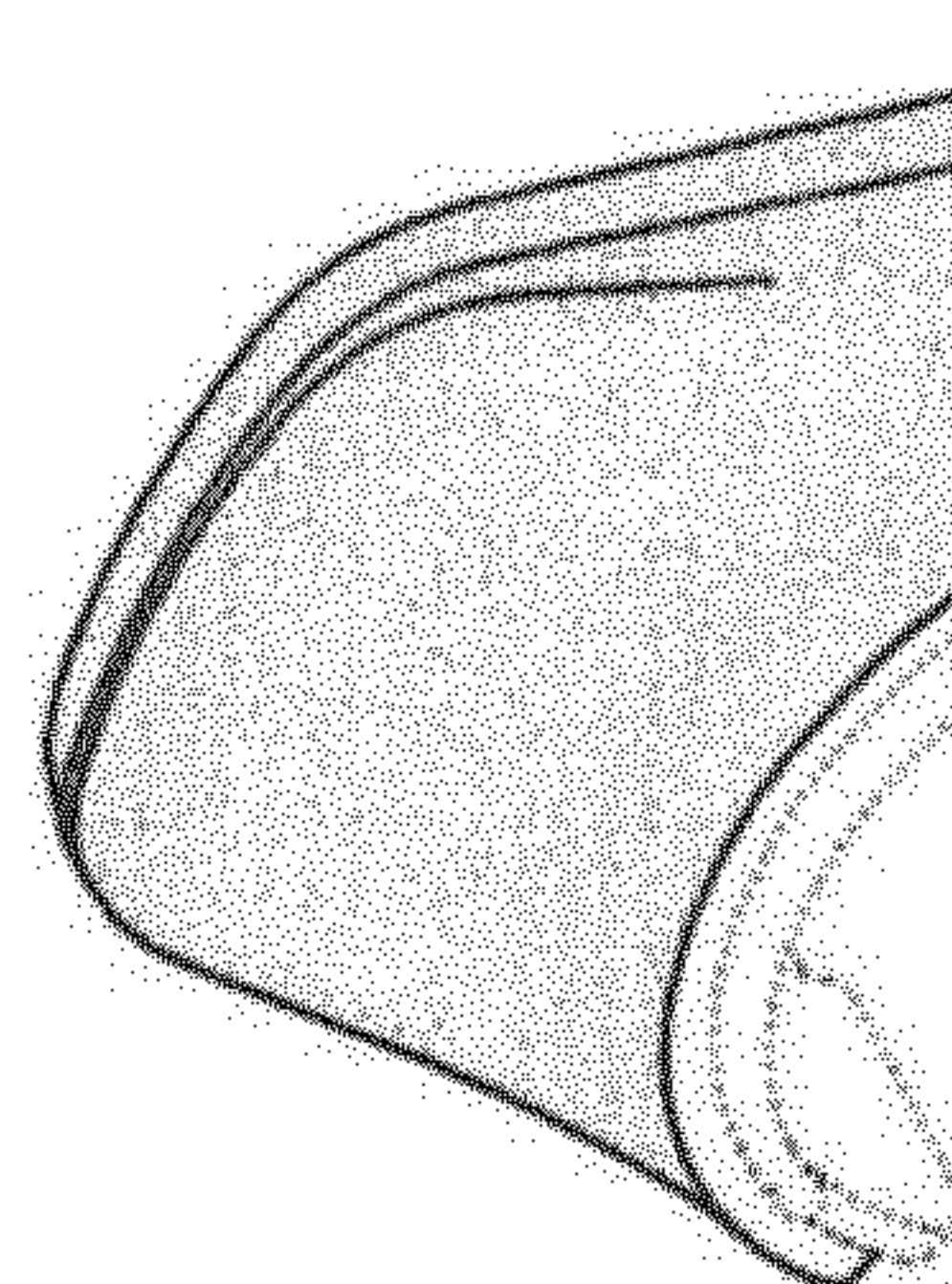


Figure 21