



US00D829690S

(12) **United States Design Patent** (10) **Patent No.:** **US D829,690 S**  
**Chen** (45) **Date of Patent:** **\*\* Oct. 2, 2018**

(54) **MINI-SPEAKER**

(71) Applicant: **Ching-Wen Chen**, Taipei (TW)

(72) Inventor: **Ching-Wen Chen**, Taipei (TW)

(\*\*) Term: **15 Years**

(21) Appl. No.: **29/632,730**

(22) Filed: **Jan. 9, 2018**

**Related U.S. Application Data**

(63) Continuation-in-part of application No. 29/563,189, filed on May 3, 2016.

(51) **LOC (11) Cl.** ..... **14-03**

(52) **U.S. Cl.**  
USPC ..... **D14/216**

(58) **Field of Classification Search**  
USPC ..... D14/167, 168, 170–172, 188, 194–196, D14/204, 207, 209.1, 210–216, 219, 221, D14/222, 224, 239, 496; 181/143, 144, 181/147, 148, 150, 153, 157, 198, 199; 381/300–303, 306, 332, 333, 336, 345, 381/361–364, 386–388; 369/6–12; D10/104.1, 106.1–106.6

CPC ..... B60R 11/0217; G06F 1/1688; G10K 9/22; G10K 11/004; H03F 1/327; H04M 1/03; H04M 1/035; H04N 5/642; H04N 21/4852; H04R 1/02; H04R 1/06; H04R 1/021; H04R 1/025; H04R 1/026; H04R 1/028; H04R 1/105; H04R 1/323; H04R 1/403; H04R 1/2803; H04R 1/2834; H04R 5/02; H04R 7/20; H04R 9/06; H04R 9/025; H04R 2201/021; H04R 2400/00; H04R 2400/07; H04R 2499/11; H04R 2499/13; H04R 2499/15; H04S 3/00; H04S 7/30

See application file for complete search history.

(56) **References Cited**

**U.S. PATENT DOCUMENTS**

D267,644	S	*	1/1983	Warner	.....	D14/222
D438,195	S	*	2/2001	Chao	.....	D14/222
D591,269	S	*	4/2009	Kim	.....	D14/216
D656,130	S	*	3/2012	Bailey	.....	D14/227
D671,528	S	*	11/2012	Fathollahi	.....	D14/211
D700,904	S	*	3/2014	Miller	.....	D13/168
D728,507	S	*	5/2015	Brandis	.....	D14/149
D743,383	S	*	11/2015	Hinokio	.....	D14/225
D752,014	S	*	3/2016	Bolmstrand	.....	D14/204
D756,956	S	*	5/2016	Van Den Nieuwenhuizen	.....	D14/204
D757,585	S	*	5/2016	Hojmose	.....	D10/106.1
D771,512	S	*	11/2016	Kalyan	.....	D10/106.5
D773,332	S	*	12/2016	Kalyan	.....	D10/106.5
D781,818	S	*	3/2017	Pera	.....	D14/172
D786,725	S	*	5/2017	McCormick	.....	D10/106.5

\* cited by examiner

*Primary Examiner* — Keli L. Hill  
(74) *Attorney, Agent, or Firm* — Pro-TECHTOR International Services; Ian Oglesby

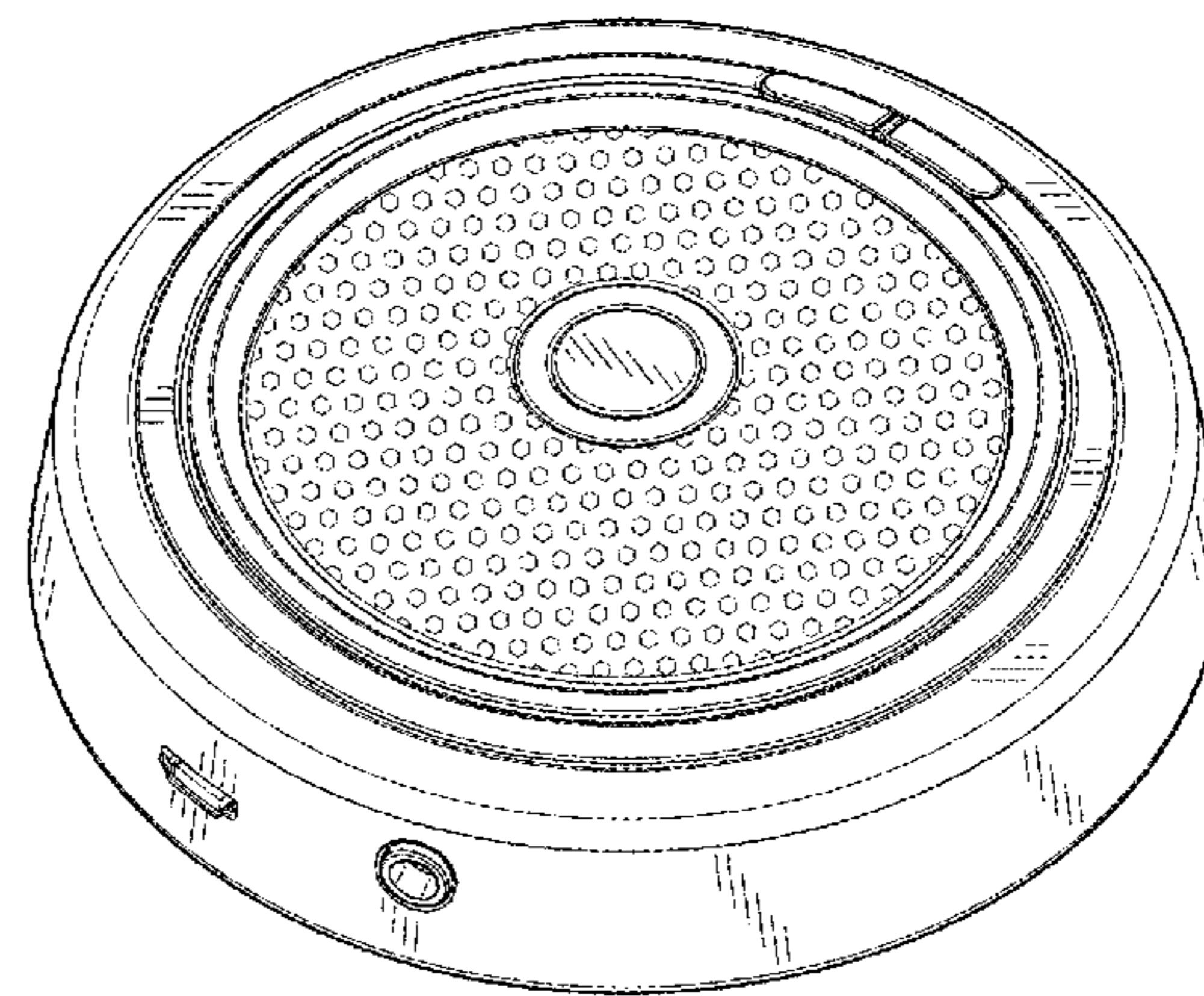
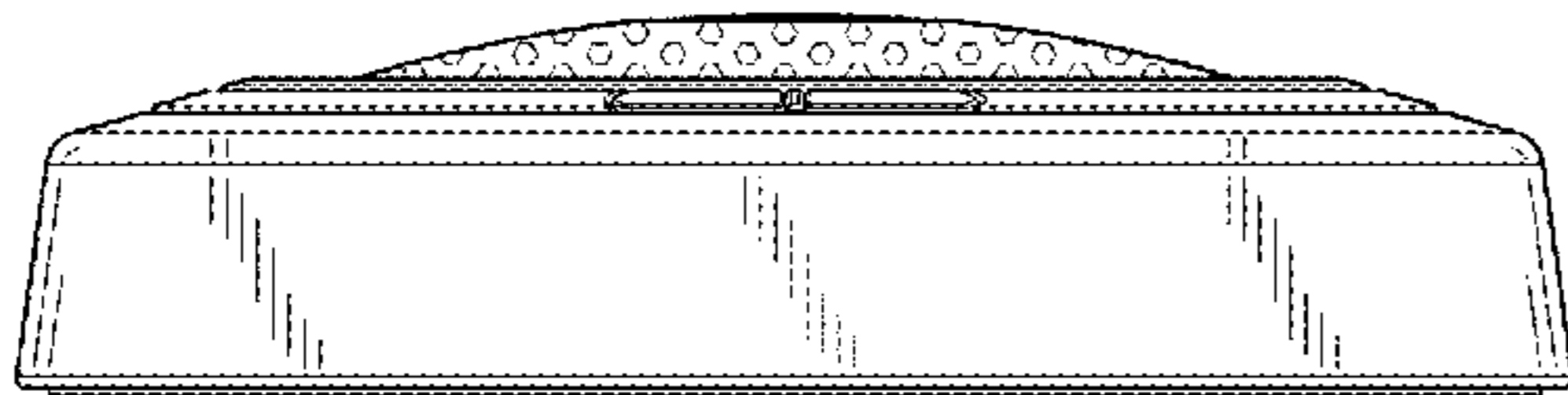
(57) **CLAIM**

The ornamental design for a mini-speaker, as shown and described.

**DESCRIPTION**

FIG. 1 is a top perspective view of mini-speaker showing my new design;  
FIG. 2 is a front view thereof;  
FIG. 3 is a rear view thereof;  
FIG. 4 is a left elevational side view thereof;  
FIG. 5 is a right elevational side view thereof;  
FIG. 6 is a top elevational view thereof;  
FIG. 7 is a bottom elevational view thereof; and,  
FIG. 8 is an operated view thereof.

**1 Claim, 6 Drawing Sheets**



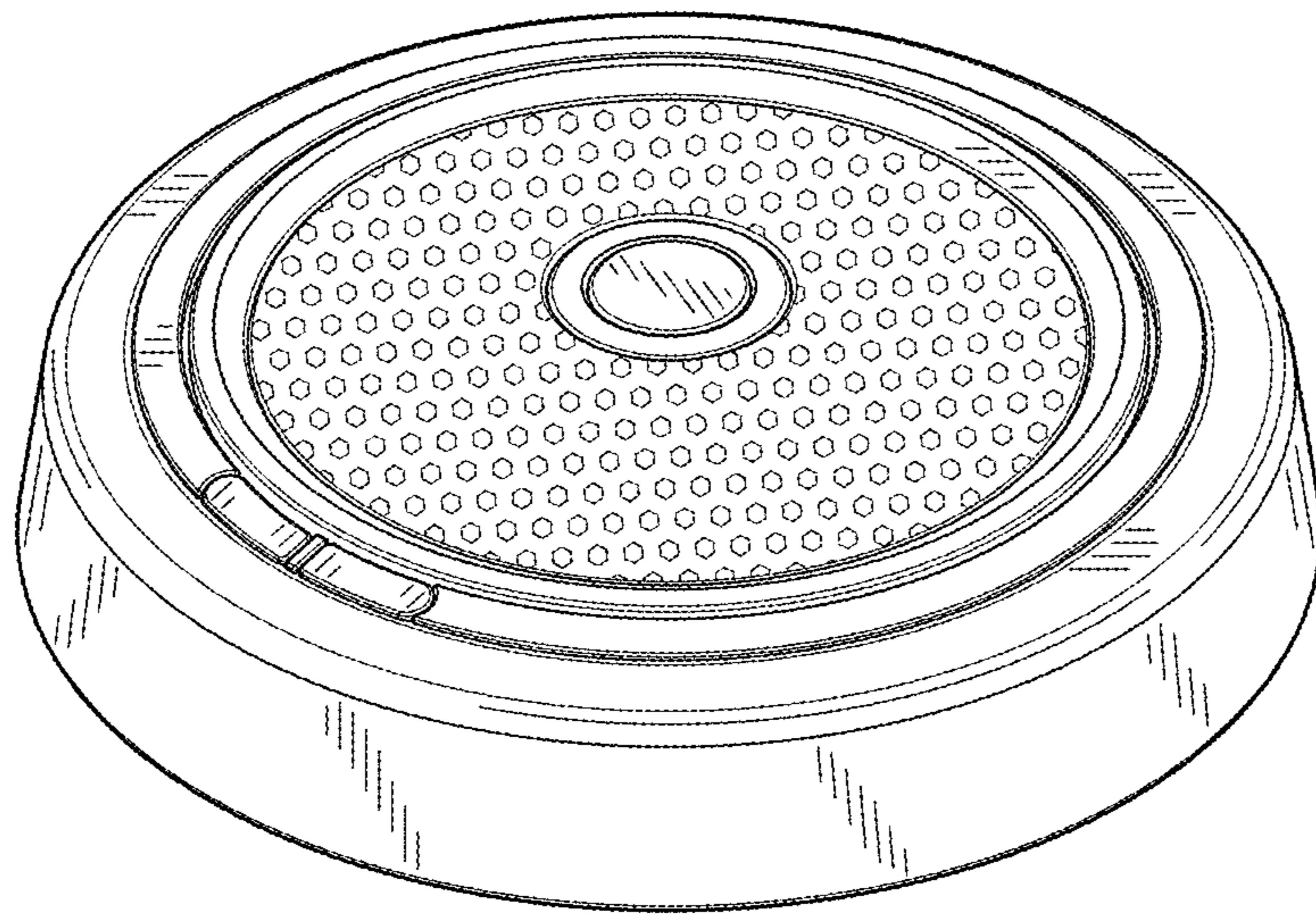


Fig.1

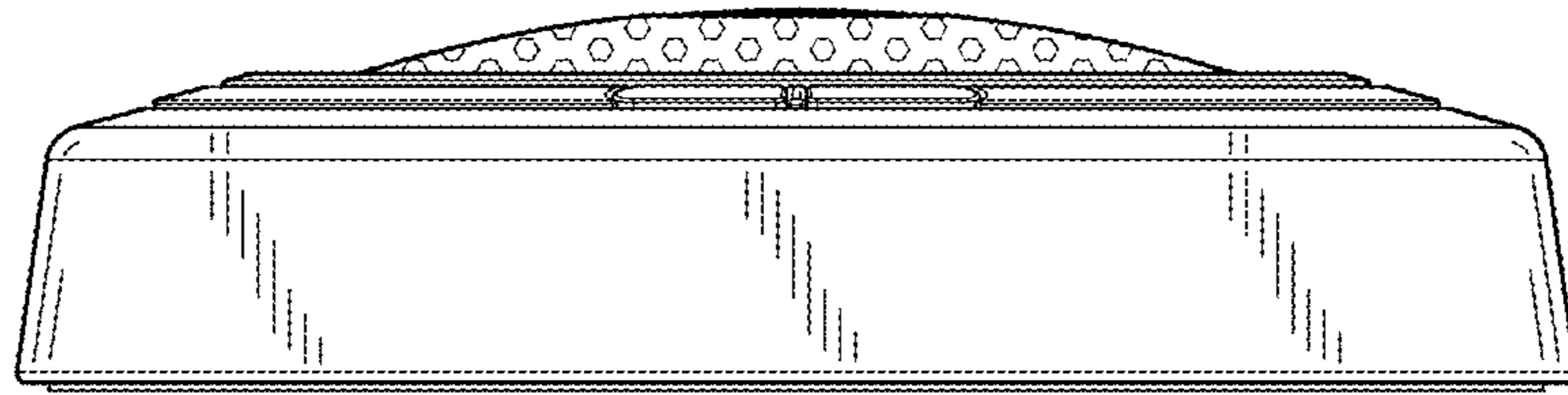


Fig.2

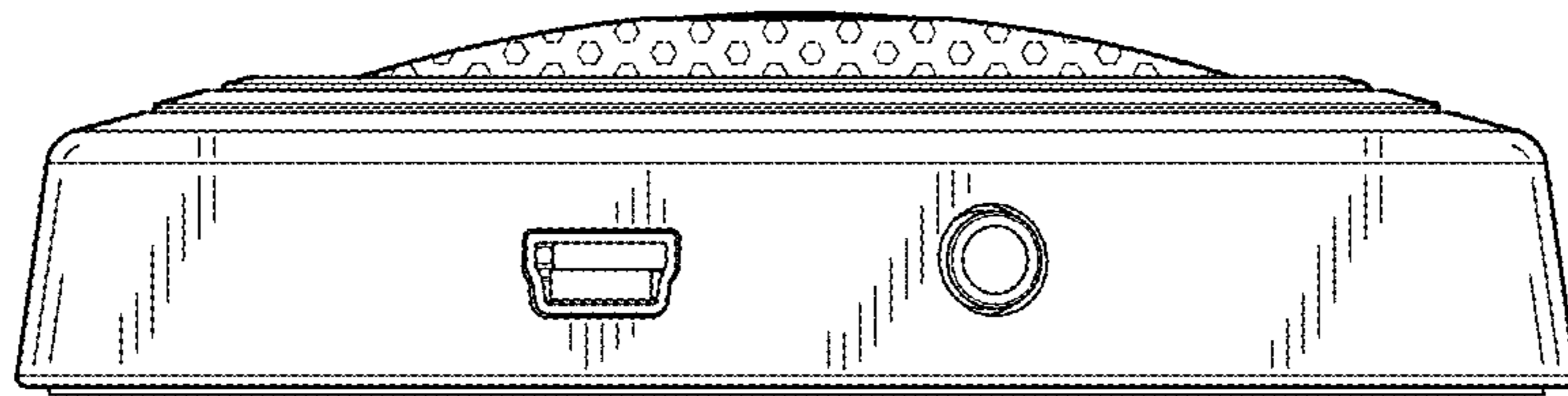


Fig.3

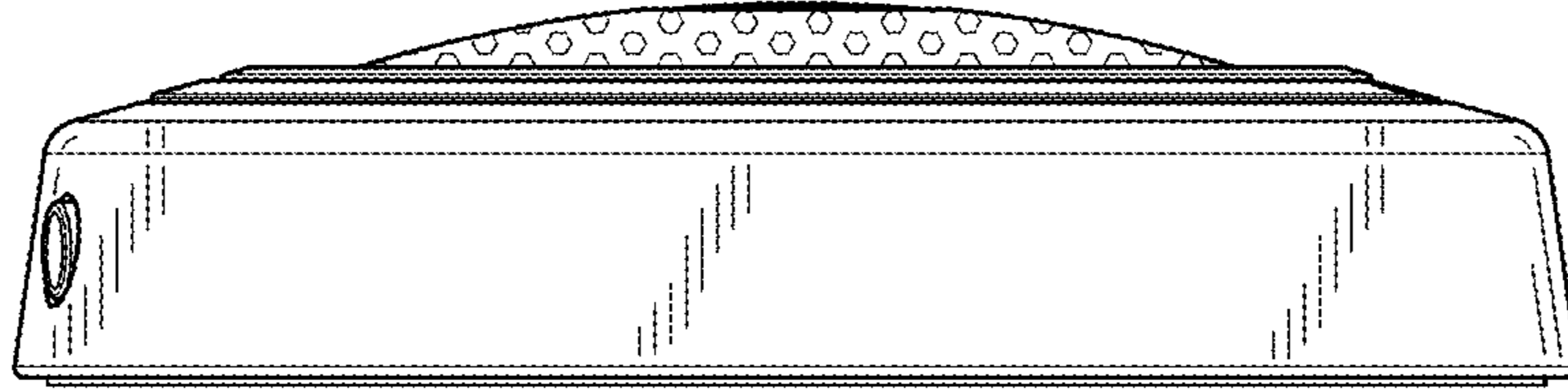


Fig.4

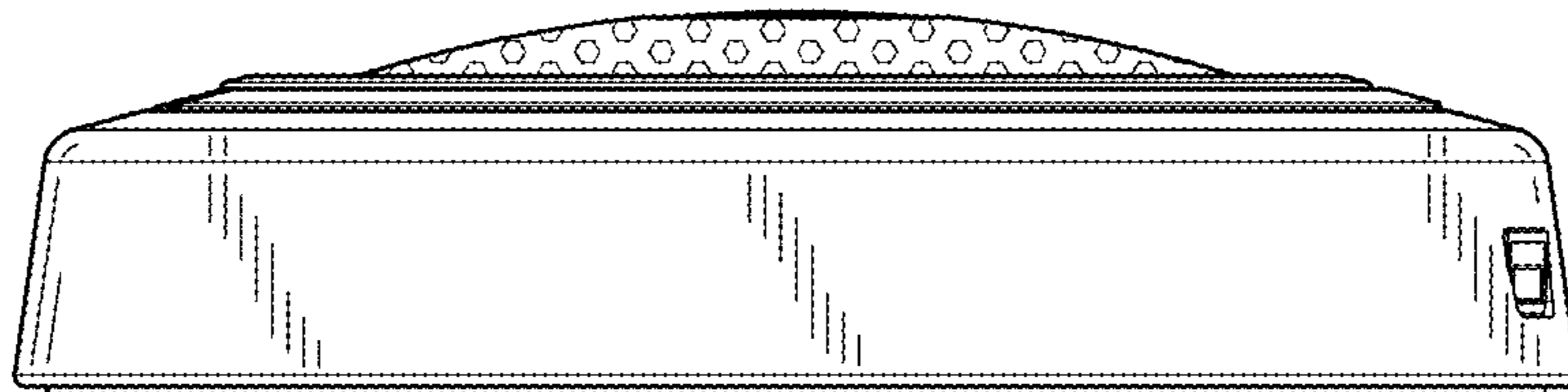


Fig.5

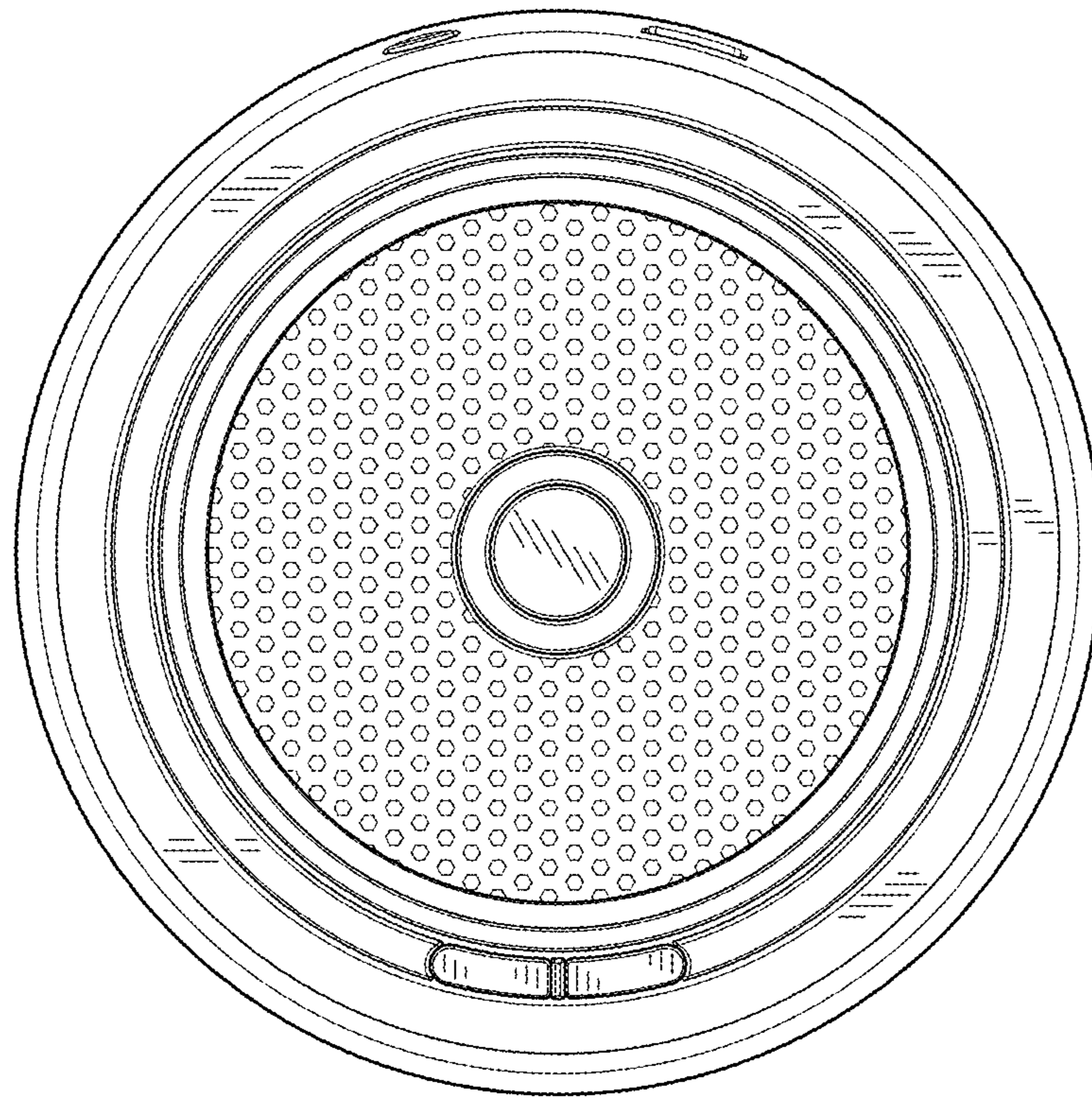


Fig.6

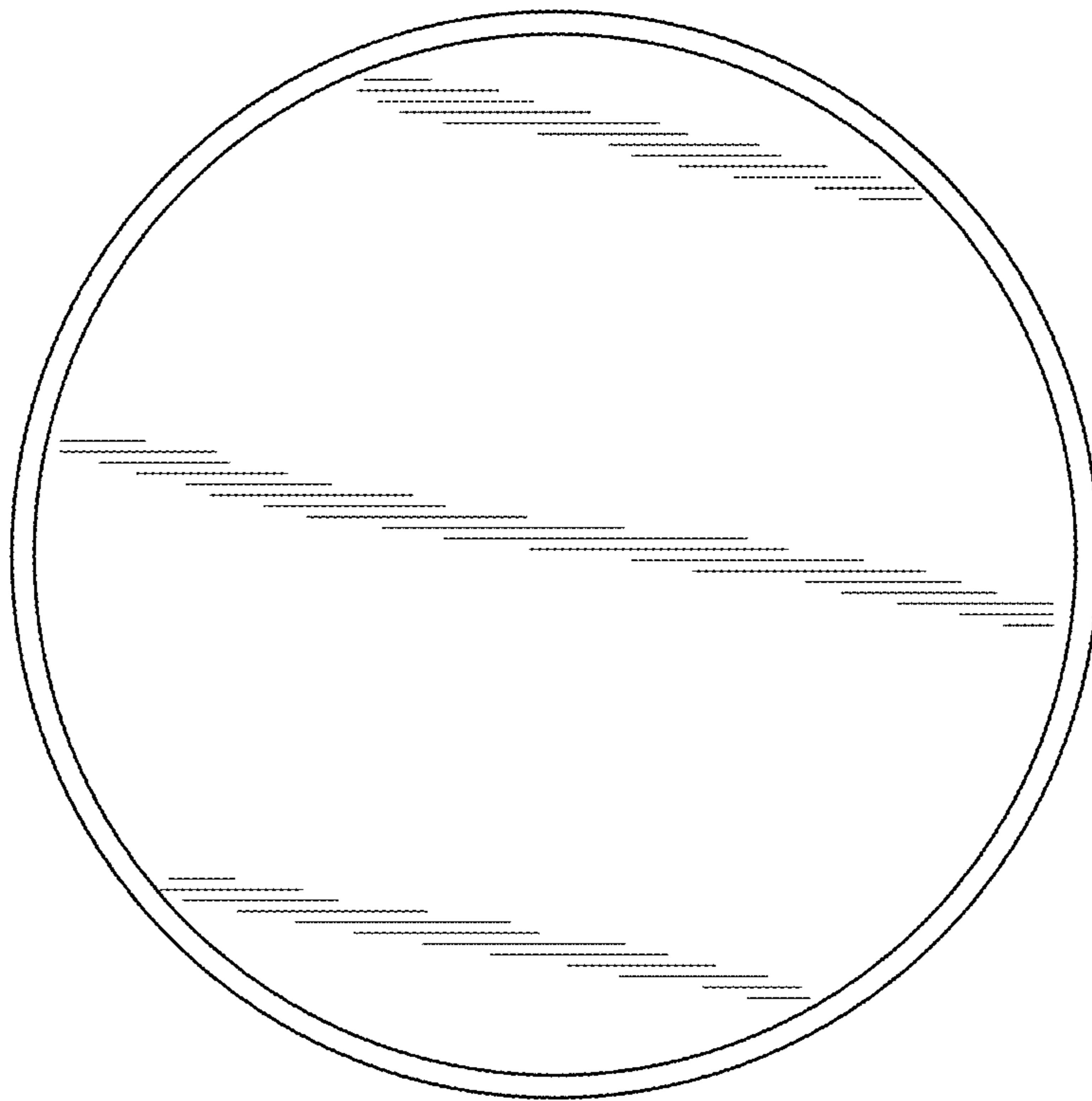


Fig.7

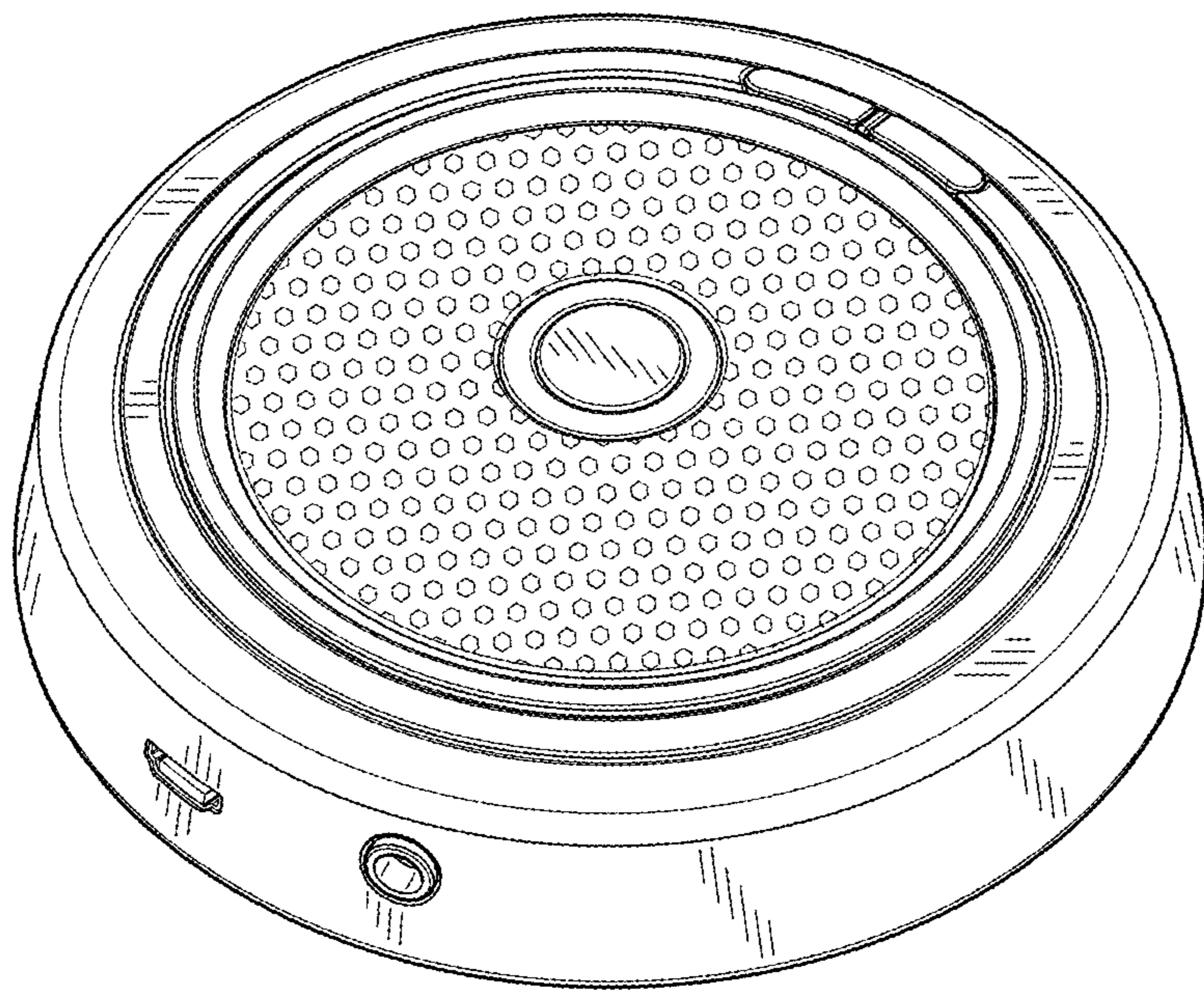


Fig.8