



US00D829686S

(12) **United States Design Patent**
Davi et al.

(10) **Patent No.:** **US D829,686 S**
(45) **Date of Patent:** **** Oct. 2, 2018**

(54) **HEADPHONES**

(71) Applicant: **Davi Audio, Inc.**, Longwood, FL (US)

(72) Inventors: **Leonard Davi**, Longwood, FL (US);
Massimo Borrelli, Moncalieri (IT);
Jason May, Converse, TX (US); **Scott Disbennett**, New Smyrna Beach, FL (US)

(73) Assignee: **Davi Audio, Inc.**, Longwood, FL (US)

(**) Term: **15 Years**

(21) Appl. No.: **29/582,914**

(22) Filed: **Oct. 31, 2016**

(51) **LOC (11) Cl.** **14-01**

(52) **U.S. Cl.**
USPC **D14/205**

(58) **Field of Classification Search**
USPC D14/205, 188, 192, 142; D29/112;
2/209; 181/129, 130, 135; 379/430, 431;
381/380, 381, 374, 371, 370, 384, 74;
455/90.3, 575.1, 569.1
CPC H04R 1/1066; H04R 1/1016; H04R 1/105;
H04R 1/10; H04R 25/00; H04R 5/033;
H04R 5/0335; H04R 25/02
See application file for complete search history.

(56) **References Cited**

U.S. PATENT DOCUMENTS

D244,037 S * 4/1977 Warner D14/205
4,829,571 A * 5/1989 Kakiuchi H04R 1/1033
381/309
D302,429 S * 7/1989 Leer D14/137
D336,646 S * 6/1993 Yamazaki D14/205
D353,817 S * 12/1994 Wada D14/205
D358,391 S * 5/1995 Isono D14/205
5,459,290 A * 10/1995 Yamagishi H04R 1/1075
181/129
D369,604 S * 5/1996 Morimiya D14/205

D375,312 S * 11/1996 Kanno D14/205
D423,012 S * 4/2000 Yasutomi D14/205
D520,492 S * 5/2006 Chen D14/205
D541,255 S * 4/2007 Taylor D14/205
D591,263 S * 4/2009 Shimizu D14/205
D594,847 S * 6/2009 Suzuki D14/205
D625,703 S * 10/2010 Kolton D14/205
D632,667 S * 2/2011 Martin D14/205
D648,318 S * 11/2011 Huang D14/206
8,774,420 B2 * 7/2014 Belafonte H04R 1/2811
381/182
D716,256 S * 10/2014 Ang D14/205

(Continued)

Primary Examiner — Paula Allen Greene

(74) *Attorney, Agent, or Firm* — Michael L. Leetzow, P.A.

(57) **CLAIM**

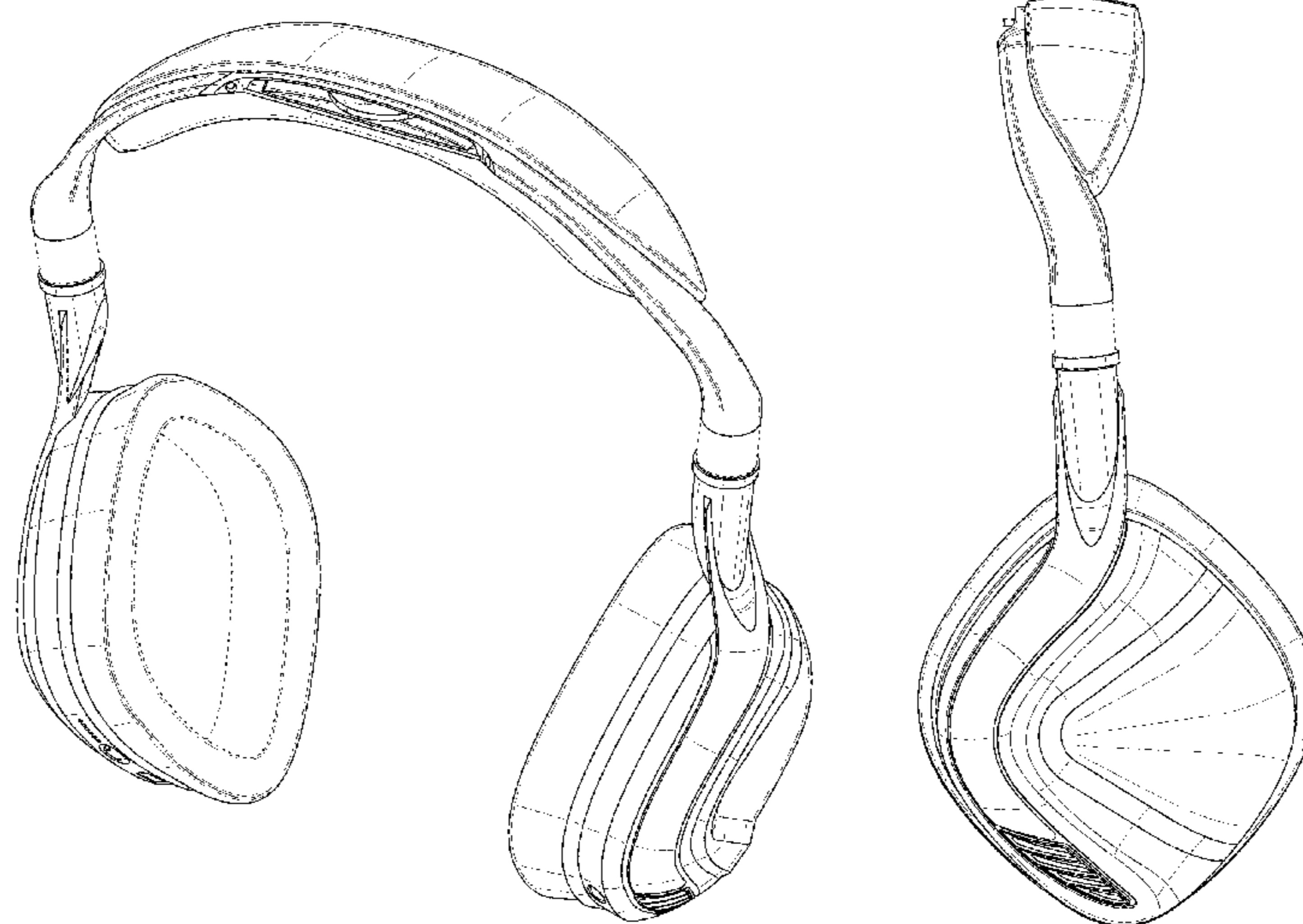
The ornamental design for headphones, as shown and described.

DESCRIPTION

FIG. 1 is a back side perspective view from the top of headphones showing our new design;
FIG. 2 is a back side perspective view from the bottom of the headphones shown in FIG. 1;
FIG. 3 is a back side view of the headphones shown in FIG. 1;
FIG. 4 is a front side view of the headphones shown in FIG. 1;
FIG. 5 is a left side view of the headphones shown in FIG. 1;
FIG. 6 is a right side view of the headphones shown in FIG. 1;
FIG. 7 is a top side view of the headphones shown in FIG. 1; and,
FIG. 8 is a bottom side view of the headphones shown in FIG. 1.

The broken lines depict environment that forms no part of the claimed design.

1 Claim, 7 Drawing Sheets



(56)

References Cited

U.S. PATENT DOCUMENTS

D741,286 S	*	10/2015	Brennwald	D14/205
D745,860 S	*	12/2015	Logan	D14/206
D746,793 S	*	1/2016	Logan	D14/206
D788,071 S	*	5/2017	Logan	D14/205
D795,218 S	*	8/2017	Ohmachi	D14/205

* cited by examiner

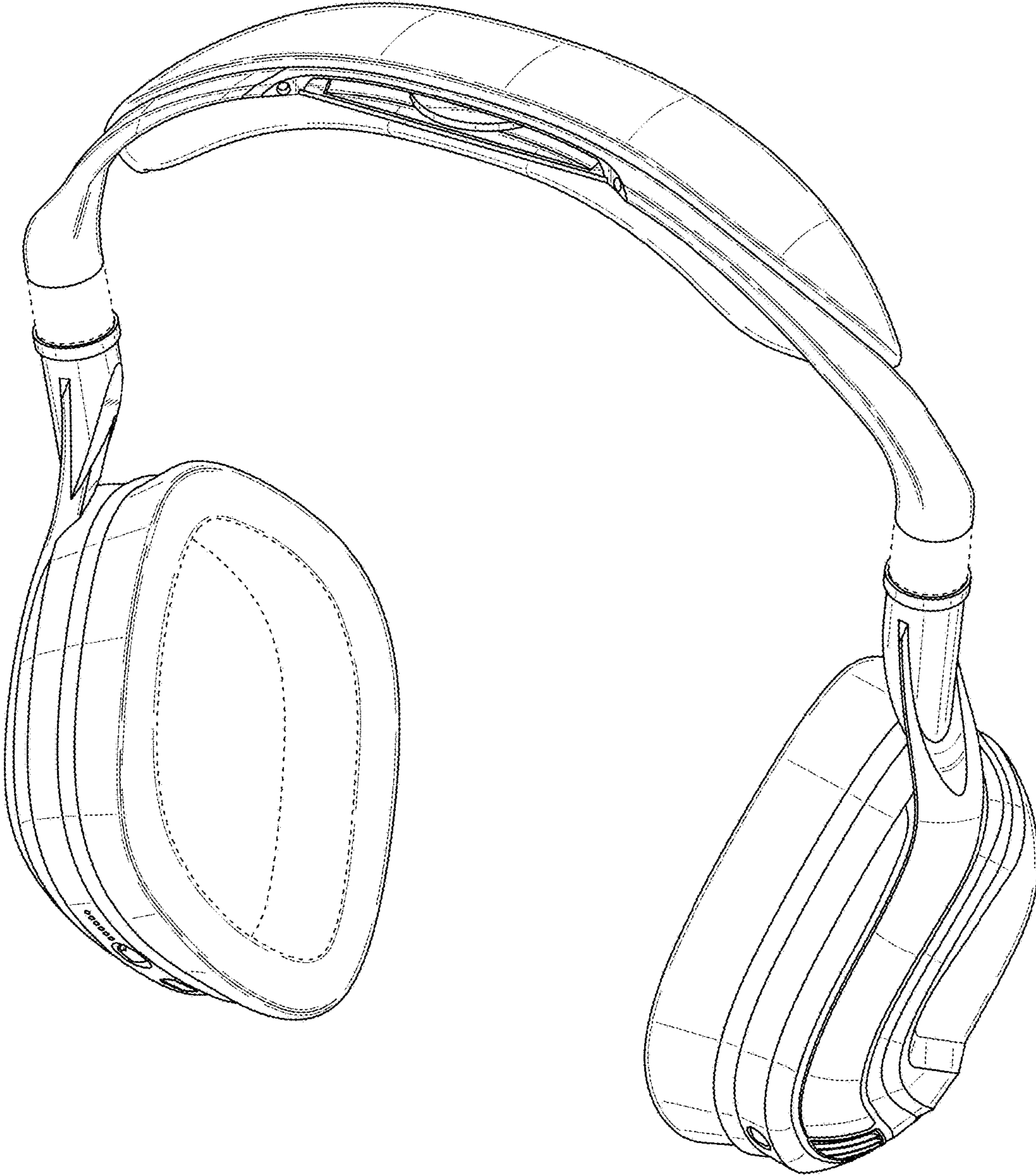


Fig. 1



Fig. 2



Fig. 3



Fig. 4

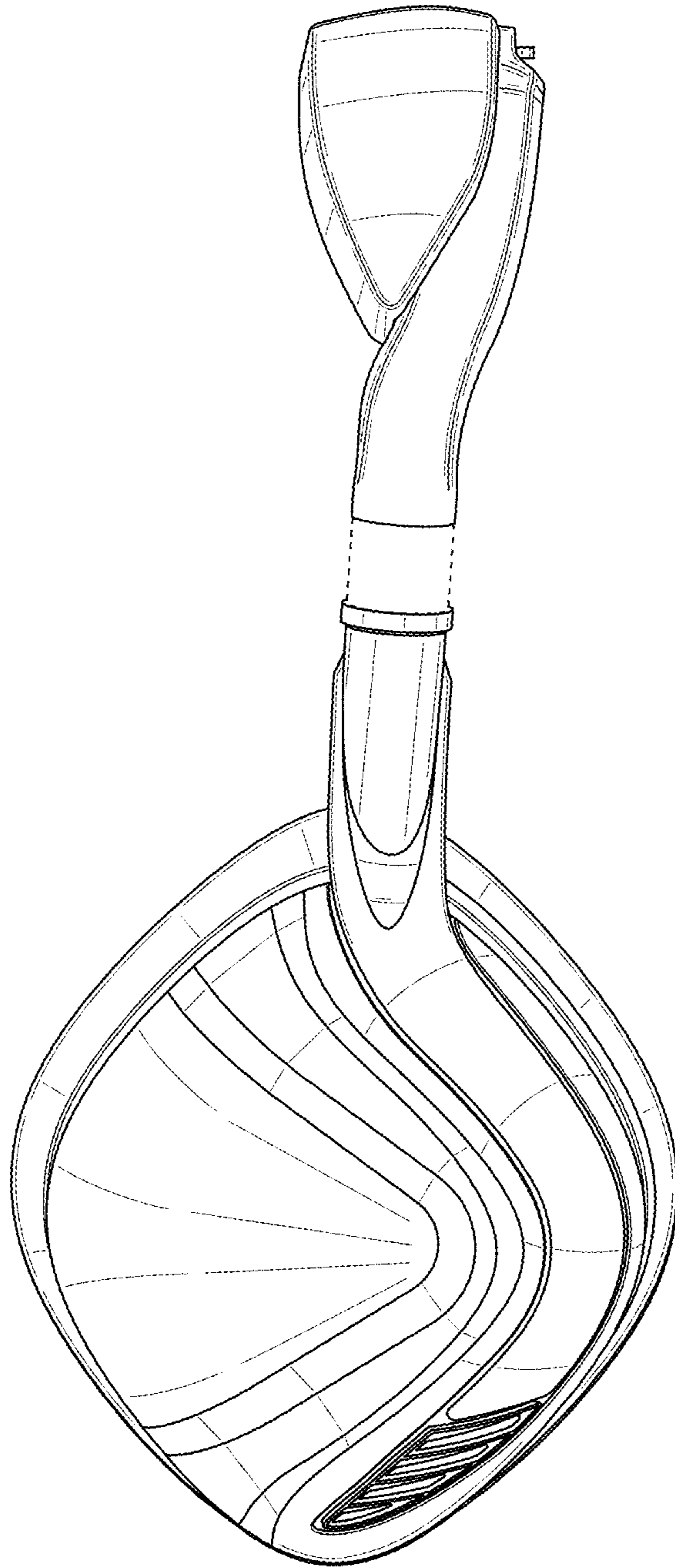


Fig. 5

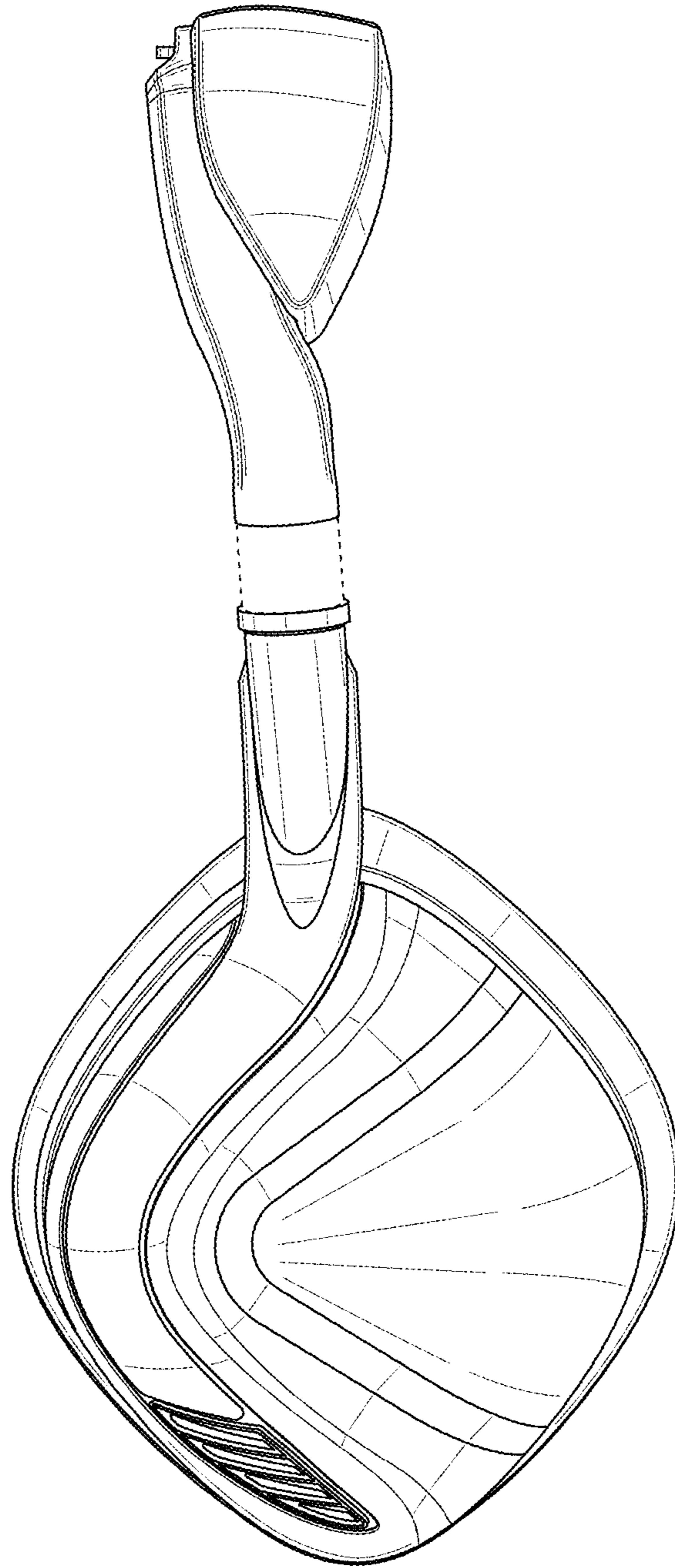


Fig. 6

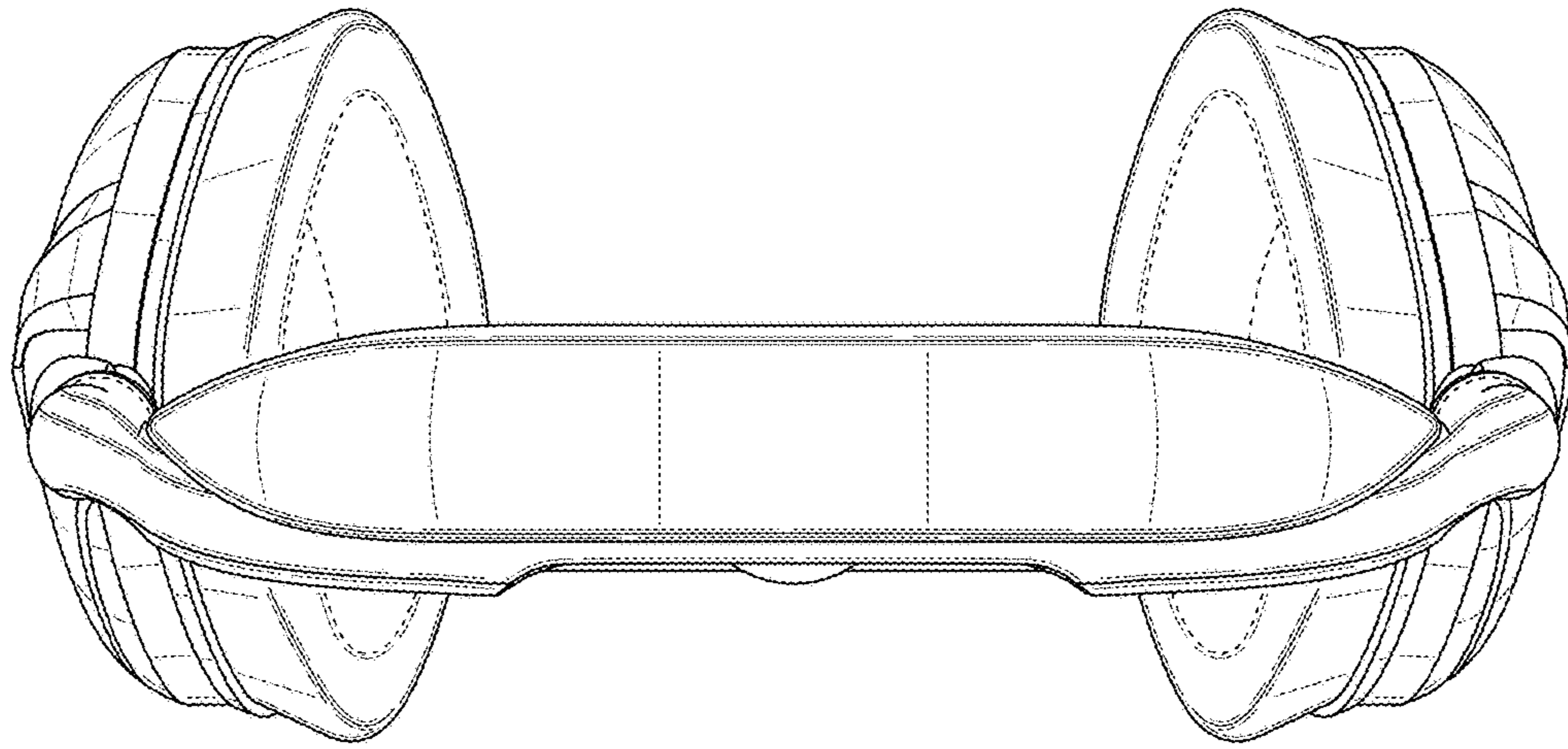


Fig. 7

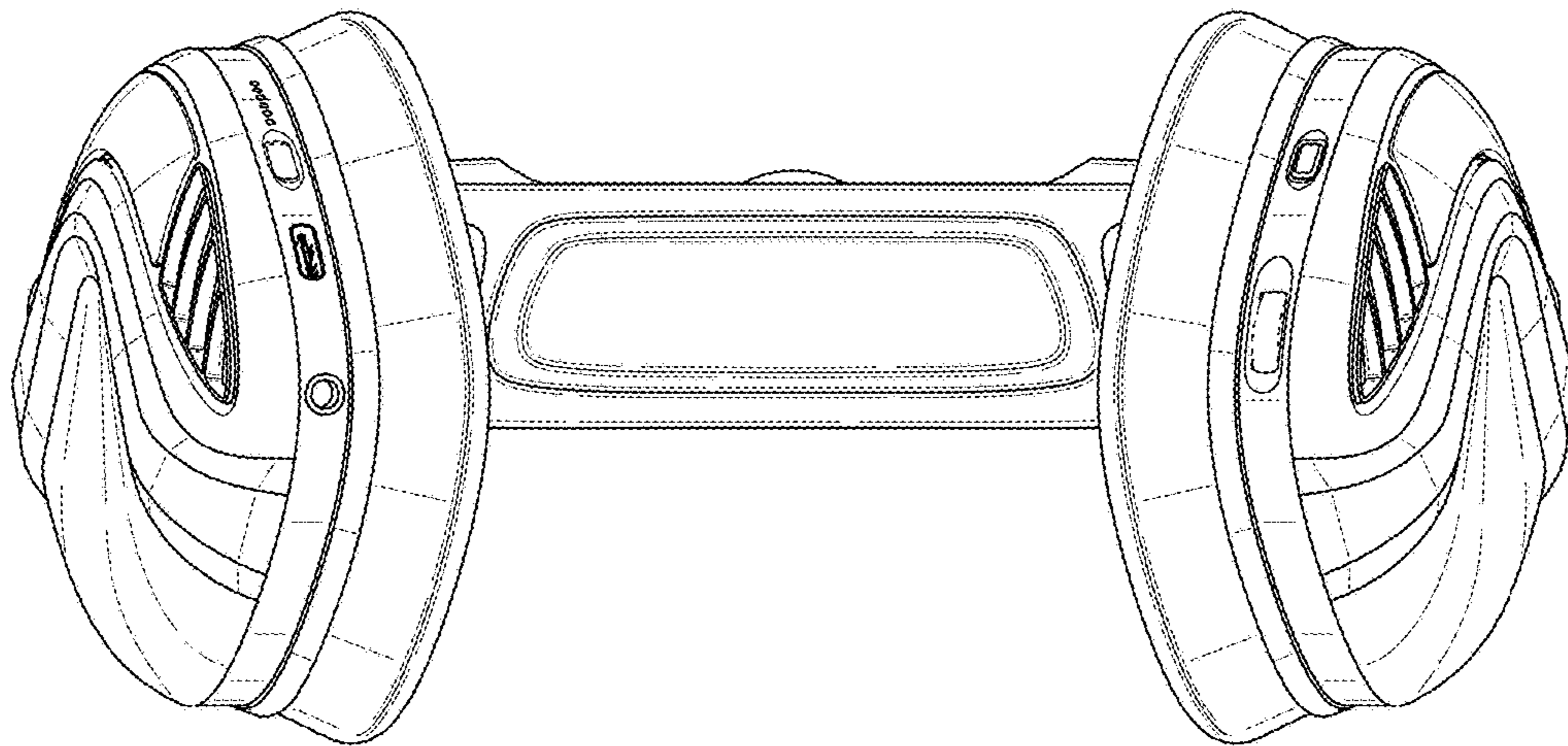


Fig. 8