



US00D829685S

(12) **United States Design Patent** (10) **Patent No.:** **US D829,685 S**  
**Nugent et al.** (45) **Date of Patent:** **\*\* Oct. 2, 2018**

(54) **LOUDSPEAKER**

(71) Applicant: **Harman International Industries, Incorporated**, Northridge, CA (US)

(72) Inventors: **Tim Nugent**, Santa Monica, CA (US);  
**Derrick Rogers**, Altadena, CA (US);  
**Andy Flint**, Santa Clarita, CA (US)

(73) Assignee: **Harman International Industries, Incorporated**, Northridge, CA (US)

(\*\*) Term: **15 Years**

(21) Appl. No.: **29/595,846**

(22) Filed: **Mar. 2, 2017**

**Related U.S. Application Data**

(62) Division of application No. 29/514,839, filed on Jan. 16, 2015, now Pat. No. Des. 788,067.

(51) **LOC (11) Cl.** ..... **14-01**

(52) **U.S. Cl.**  
USPC ..... **D14/204**

(58) **Field of Classification Search**  
USPC ..... D14/207, 209.1, 210–215, 221, 222;  
181/198, 199; 381/336, 345, 361–364,  
381/386, 387, 388; 369/6–12  
CPC ..... H04M 1/03; H04M 1/035; H04R 1/02;  
H04R 1/06; H04R 1/021; H04R 1/025  
See application file for complete search history.

(56) **References Cited**

**U.S. PATENT DOCUMENTS**

D163,700 S \* 6/1951 Klipsch ..... D14/214  
D229,701 S \* 12/1973 Becker ..... D10/118

D469,087 S \* 1/2003 Sue ..... D14/349  
D469,430 S \* 1/2003 Sue ..... D14/349  
D484,501 S \* 12/2003 Umezawa ..... D14/311  
D544,477 S \* 6/2007 Tsuzuki et al. .... D14/300  
D688,667 S \* 8/2013 Gander et al. .... D14/432  
D697,906 S \* 1/2014 Morooka ..... D13/184

\* cited by examiner

*Primary Examiner* — Derrick E Holland

*Assistant Examiner* — Janice Patyk

(74) *Attorney, Agent, or Firm* — Plumsea Law Group, LLC

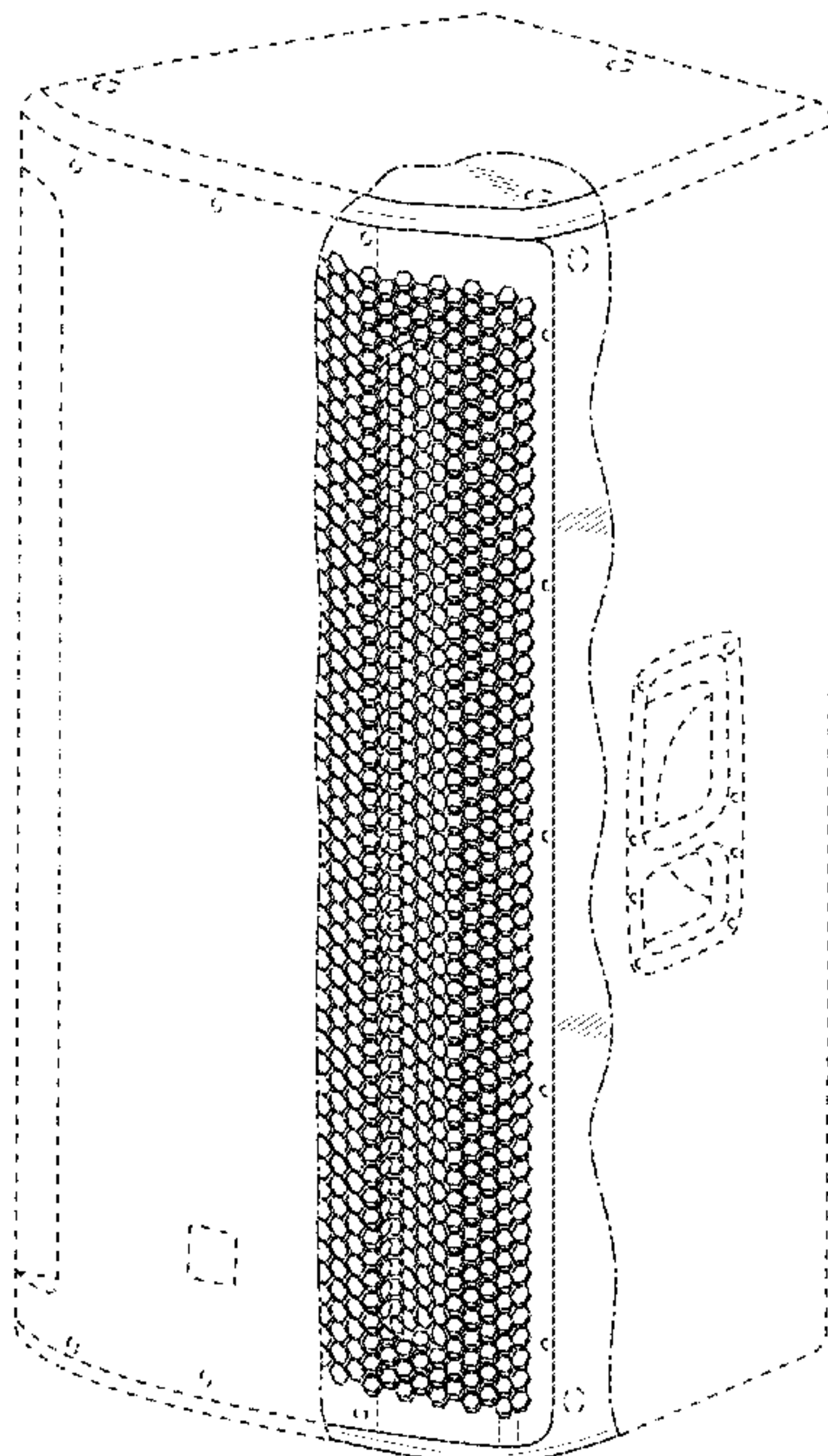
(57) **CLAIM**

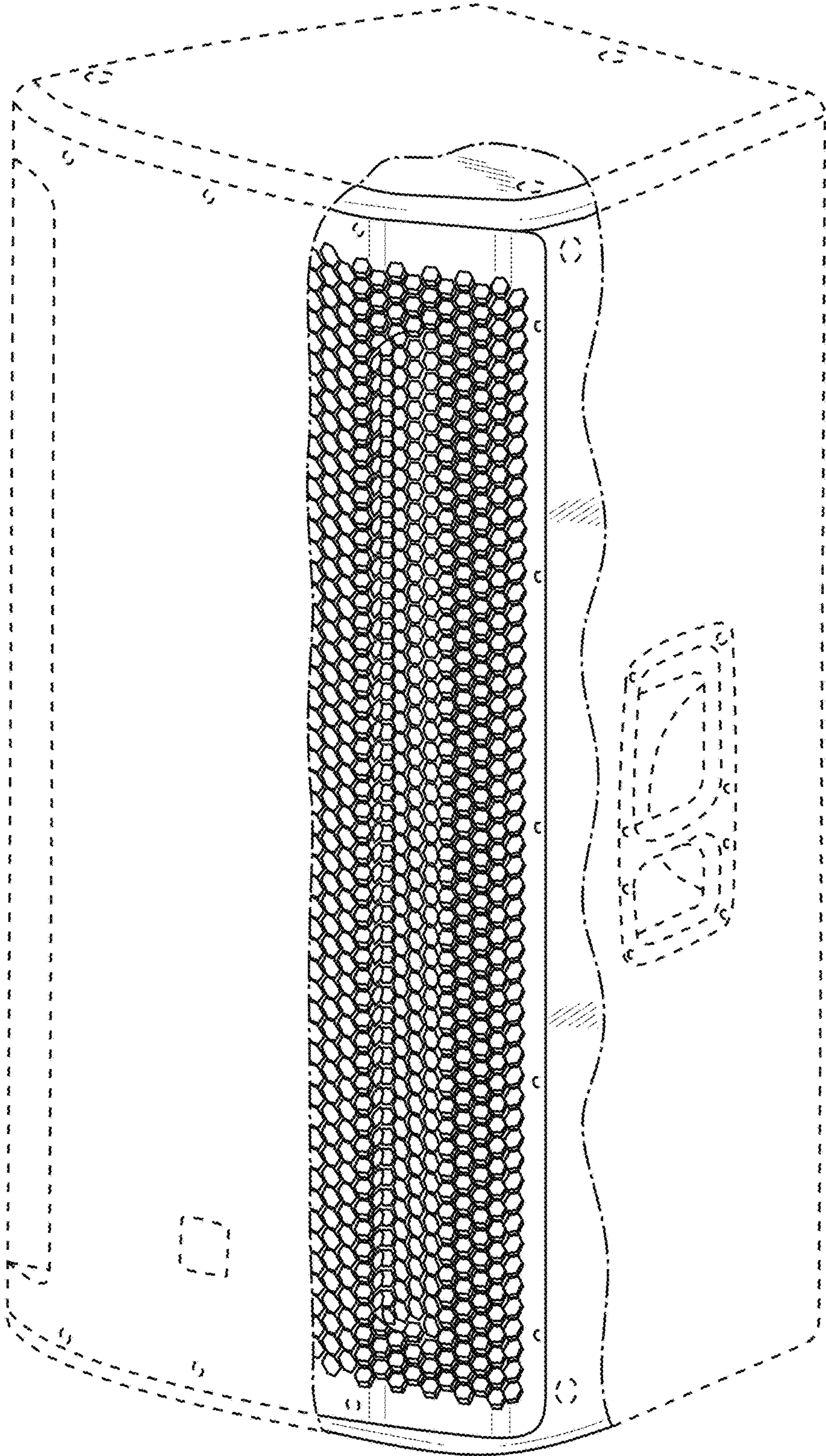
The ornamental design for a loudspeaker, as shown and described.

**DESCRIPTION**

FIG. 1 is a perspective view of embodiment one, of a loudspeaker, showing our new design;  
FIG. 2 is a front elevational view thereof;  
FIG. 3 is a side elevational view thereof;  
FIG. 4 is a top plan view thereof;  
FIG. 5 is a perspective view of embodiment two, of a loudspeaker, showing our new design;  
FIG. 6 is a front elevational view thereof;  
FIG. 7 is a side elevational view thereof; and,  
FIG. 8 is a top plan view thereof.  
The broken line portions show unclaimed subject matter only and form no part of the claimed design. The dot-dash broken line portions are included to show the boundary between the claimed portion and unclaimed portion only and form no part of the claimed design.

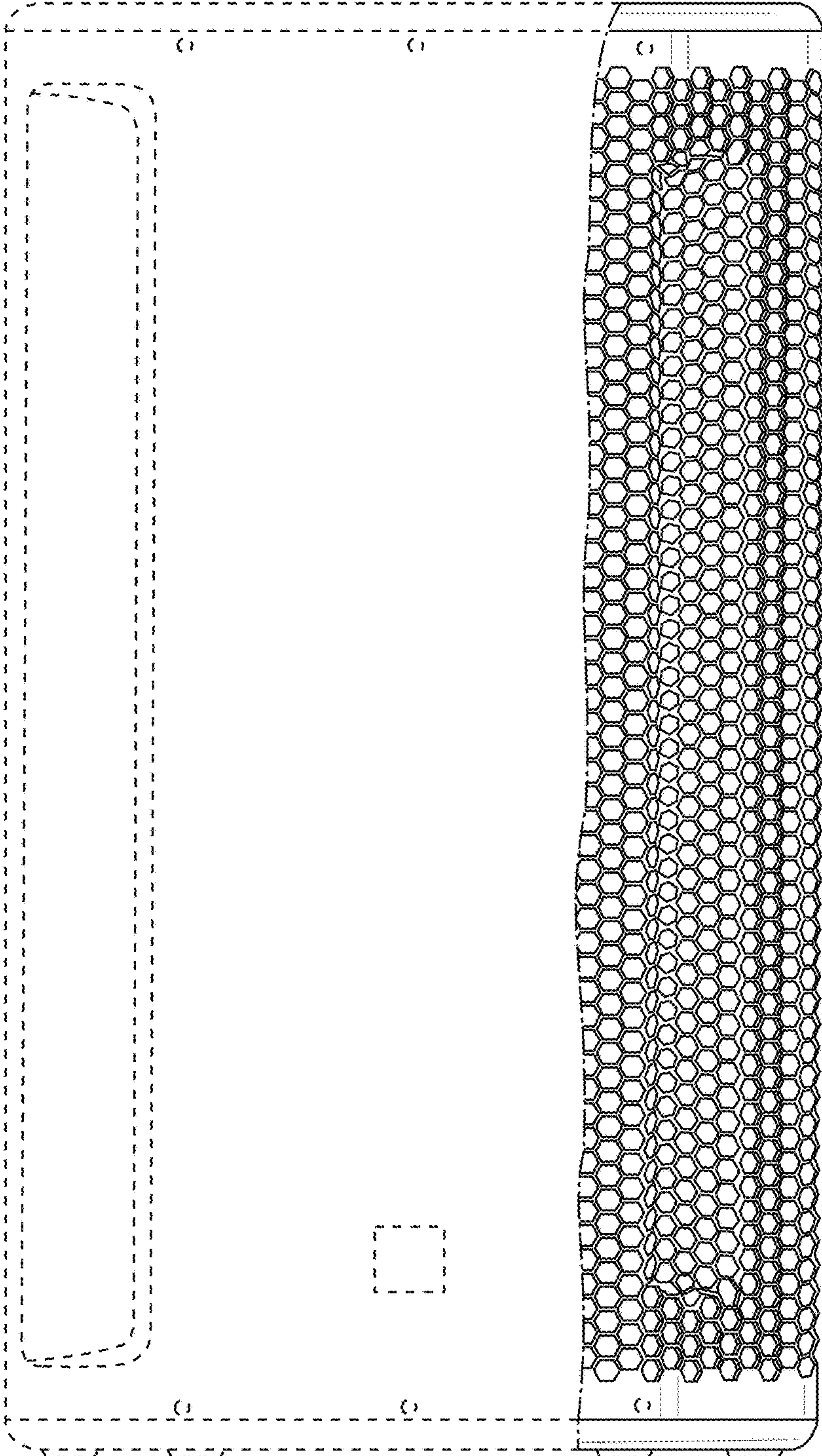
**1 Claim, 8 Drawing Sheets**



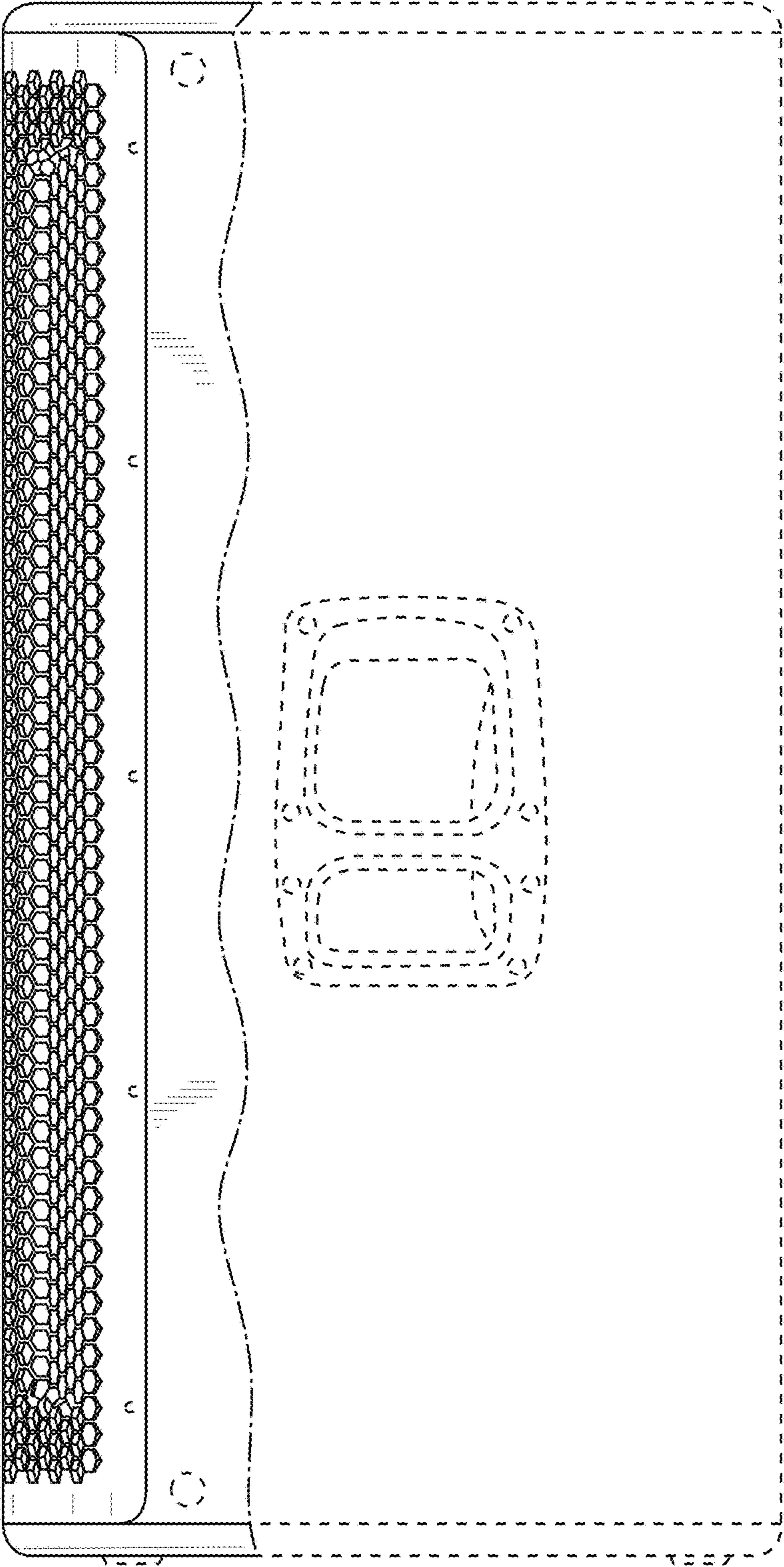


**FIG. 1**

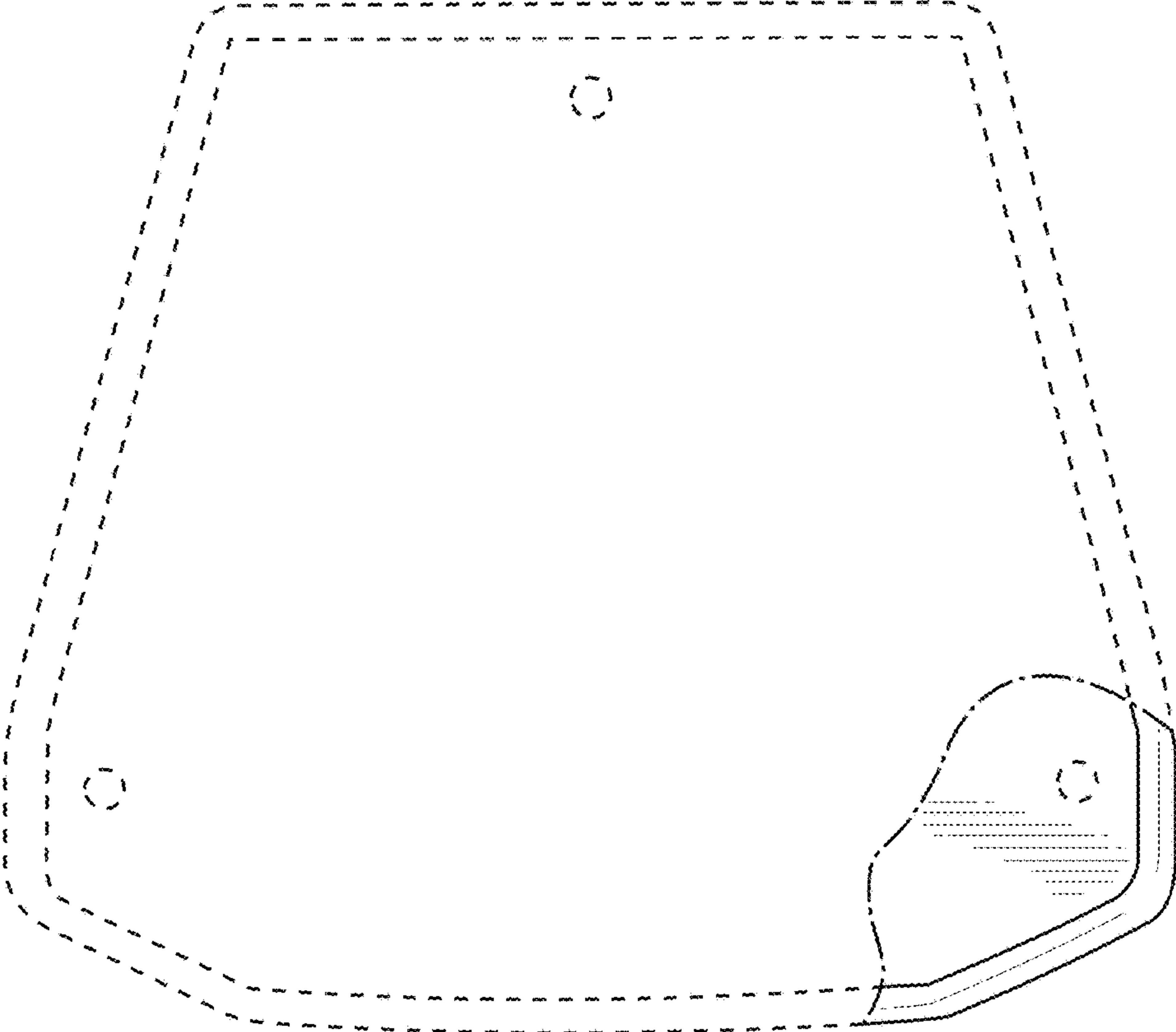




**FIG. 2**

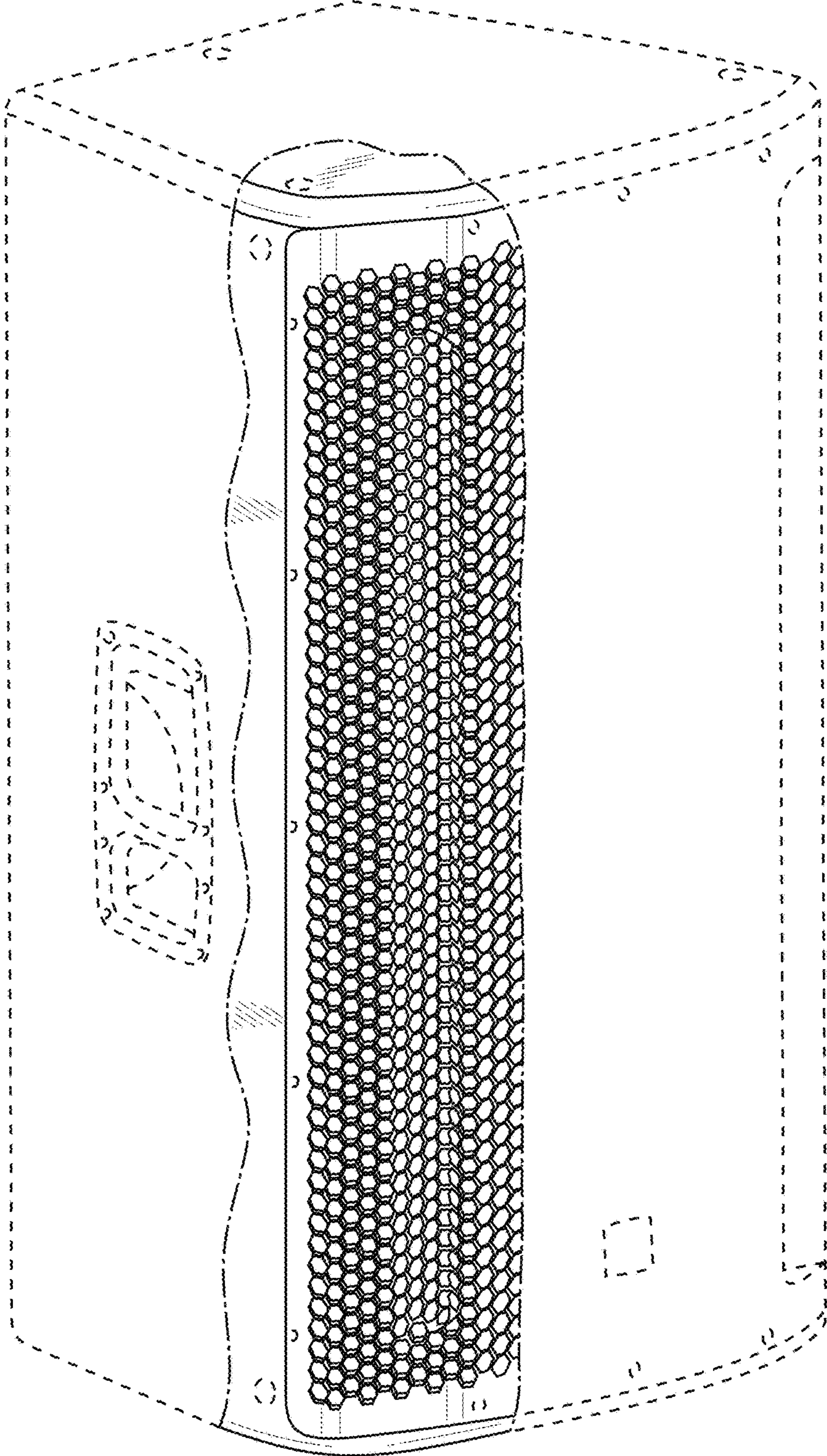


**FIG. 3**

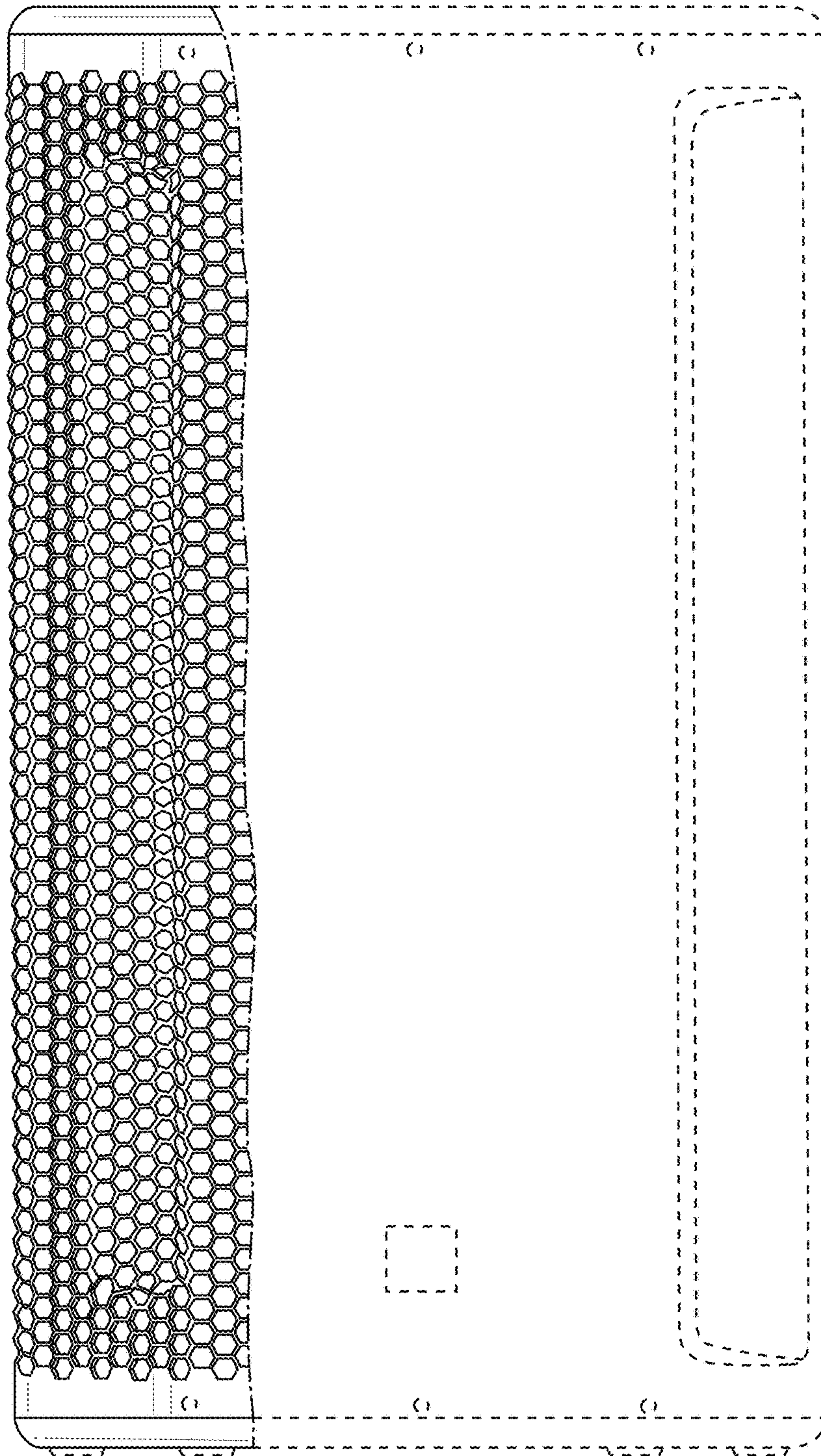


**FIG. 4**



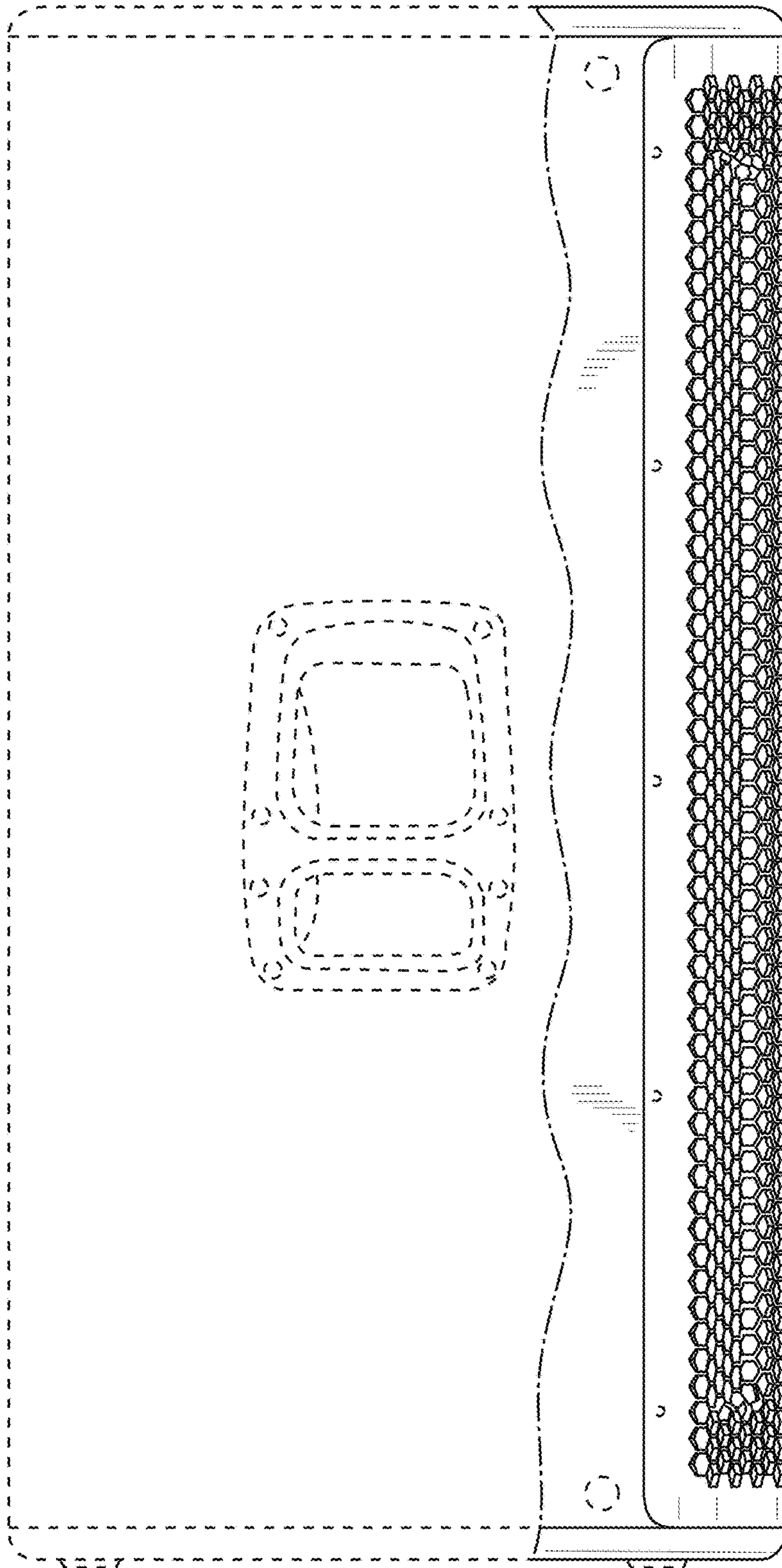


**FIG. 5**



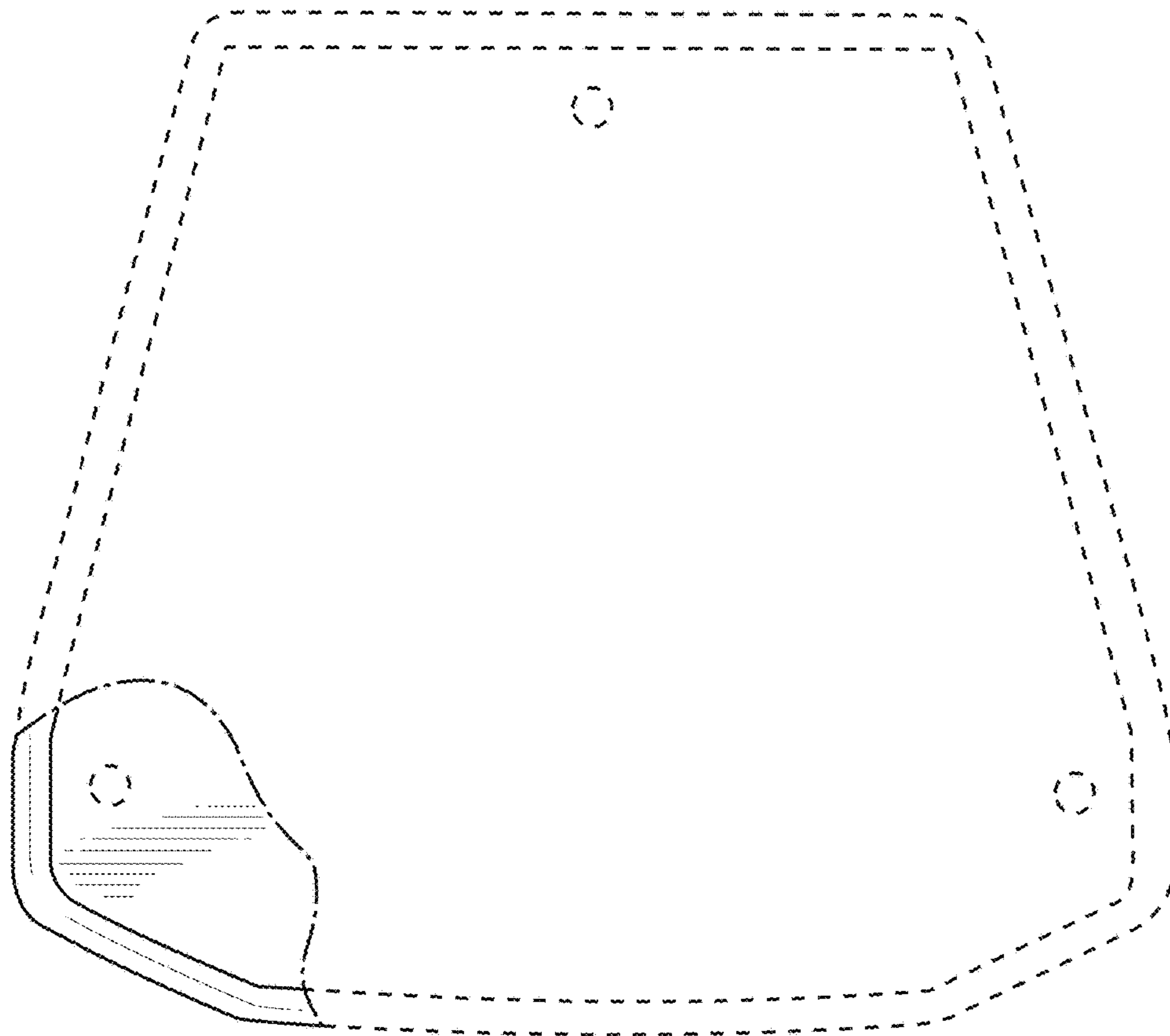
**FIG. 6**





**FIG. 7**





**FIG. 8**