



US00D829684S

(12) **United States Design Patent**
Hardi

(10) **Patent No.:** **US D829,684 S**

(45) **Date of Patent:** **** Oct. 2, 2018**

(54) **SPEAKER**

D729,205 S * 5/2015 Shu D14/216

* cited by examiner

(71) Applicant: **Muzik LLC**, Miami Beach, FL (US)

Primary Examiner — Derrick E Holland

(72) Inventor: **Jason Hardi**, Miami Beach, FL (US)

Assistant Examiner — Janice Patyk

(73) Assignee: **Muzik Inc.**, Raleigh, NC (US)

(74) *Attorney, Agent, or Firm* — Ward and Smith, P.A.

(**) Term: **15 Years**

(57) **CLAIM**

The ornamental design for a speaker, as shown and described.

(21) Appl. No.: **29/583,789**

DESCRIPTION

(22) Filed: **Nov. 9, 2016**

(51) **LOC (11) Cl.** **14-01**

(52) **U.S. Cl.**

USPC **D14/204**

(58) **Field of Classification Search**

USPC D14/167, 168, 170–172, 188, 204, 209.1,
D14/210–216, 219, 221, 222, 224;
181/144, 148, 153, 157, 198; 369/6–12;
381/301–303, 306, 332, 334, 336, 345,
381/361–363, 386–388

CPC G06F 1/1688; H04R 1/02; H04R 1/025;
H04R 1/026; H04R 1/323; H04R 1/403;
H04R 1/2803; H04R 1/2834; H04R 5/02;
H04R 9/06; H04R 2201/021; H04R
2400/00; H04R 2400/07; H04R 2499/11

See application file for complete search history.

FIG. 1 is a perspective view of a speaker according to one embodiment of the present invention;
FIG. 2 is a front view thereof;
FIG. 3 is a rear view thereof;
FIG. 4 is a side view thereof;
FIG. 5 is an opposite side view thereof;
FIG. 6 is a top view thereof;
FIG. 7 is a bottom view thereof;
FIG. 8 is a perspective view of a speaker according to embodiment two of the present invention;
FIG. 9 is a front view thereof;
FIG. 10 is a rear view thereof;
FIG. 11 is a side view thereof;
FIG. 12 is an opposite side view thereof;
FIG. 13 is a top view thereof;
FIG. 14 is a bottom view thereof;
FIG. 15 is a perspective view of a speaker according to embodiment three of the present invention;
FIG. 16 is a front view thereof;
FIG. 17 is a rear view thereof;
FIG. 18 is a side view thereof;
FIG. 19 is an opposite side view thereof;
FIG. 20 is a top view thereof; and,
FIG. 21 is a bottom view thereof.

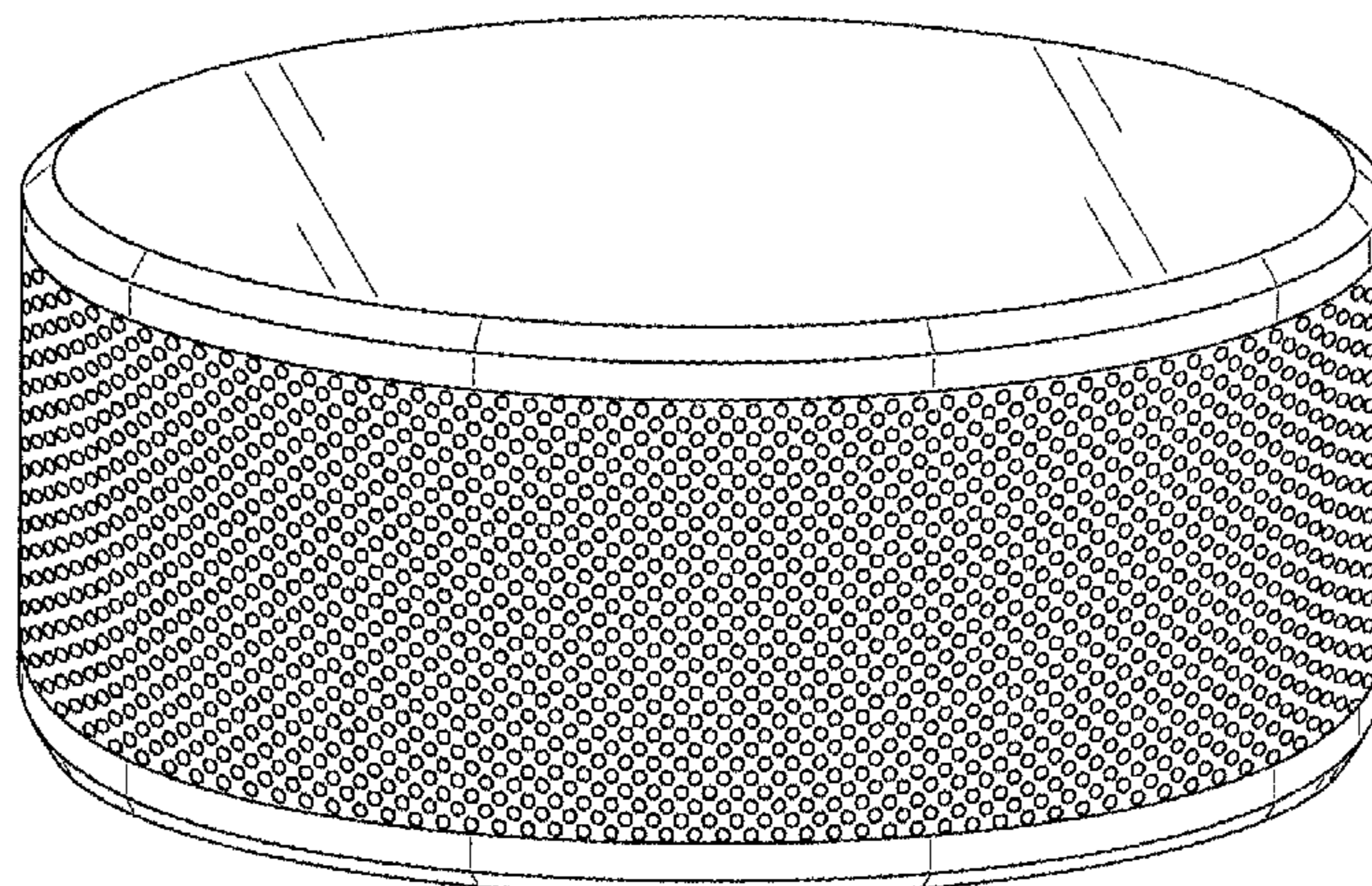
The broken lines in the figures illustrate the portions of the design that form no part of the claimed design. The word “MUZIK” forming part of the claimed design is a registered trademark of Muzik, LLC.

(56) **References Cited**

U.S. PATENT DOCUMENTS

D349,499 S *	8/1994	Collins	D14/216
D496,038 S *	9/2004	Floyd	D14/356
D577,356 S *	9/2008	Moon	D14/168
D598,018 S *	8/2009	Sumii	D14/301
D601,564 S *	10/2009	Maeno	D14/400
D602,911 S *	10/2009	Wang	D14/216
D617,314 S *	6/2010	Zha	D14/216
D645,843 S *	9/2011	Bolton	D14/209.1
D671,528 S *	11/2012	Fathollahi	D14/211

1 Claim, 15 Drawing Sheets



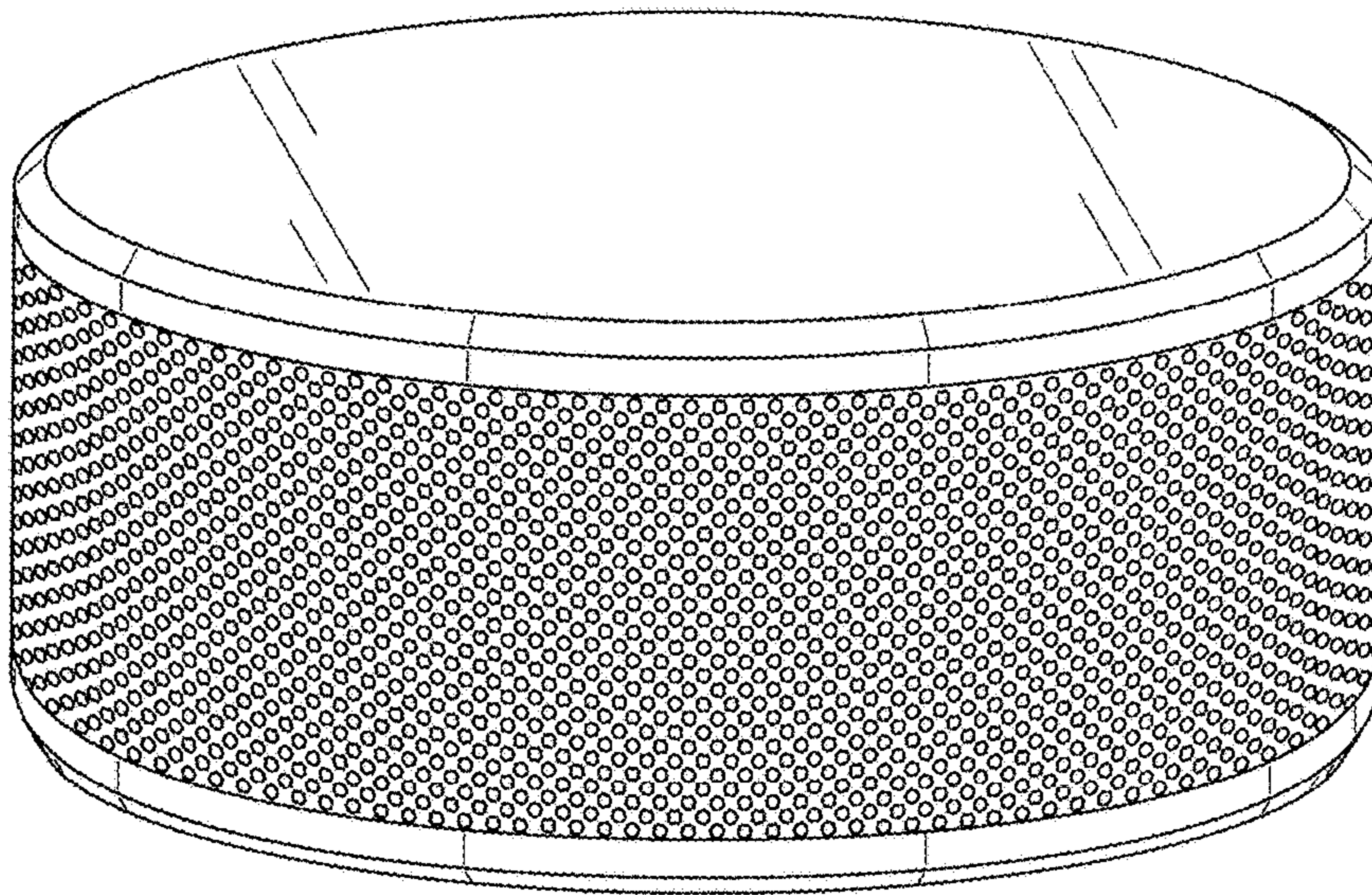


FIG. 1

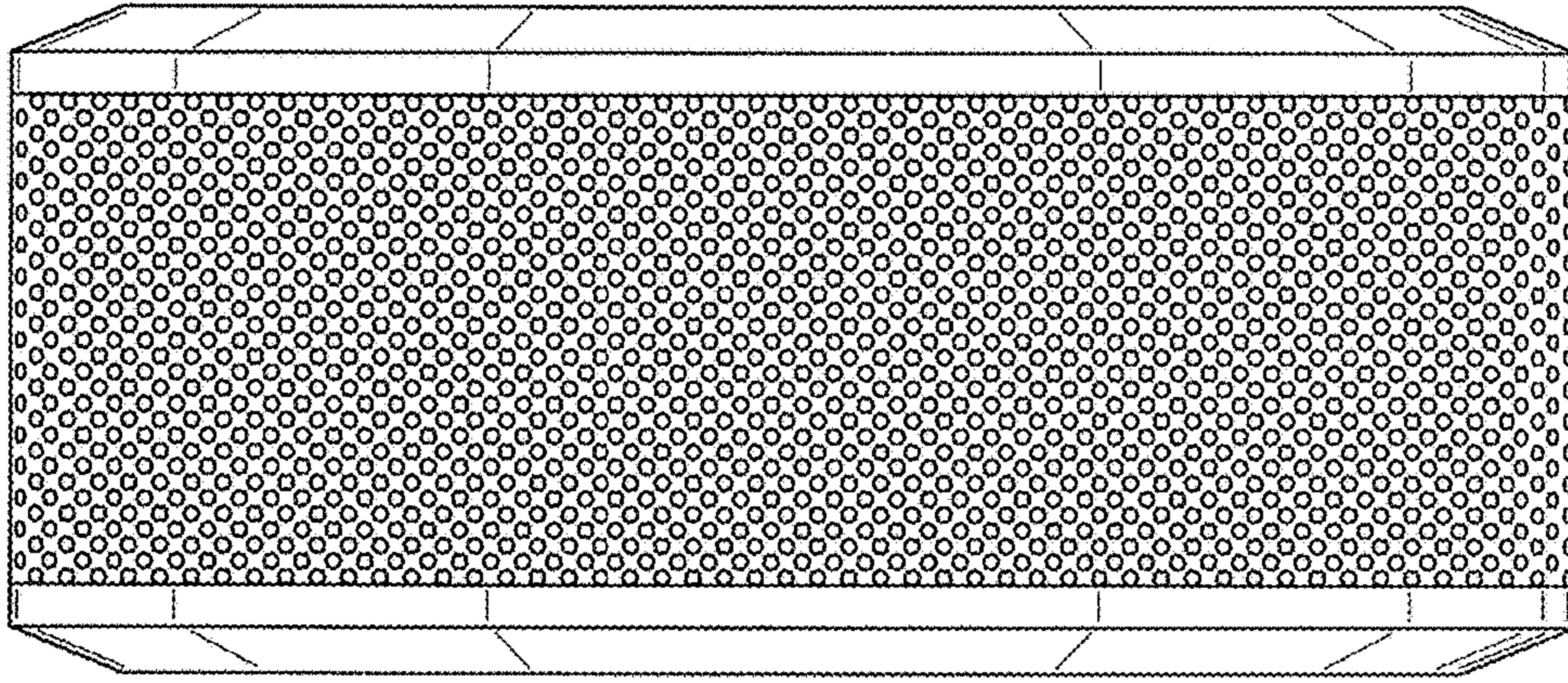


FIG. 2

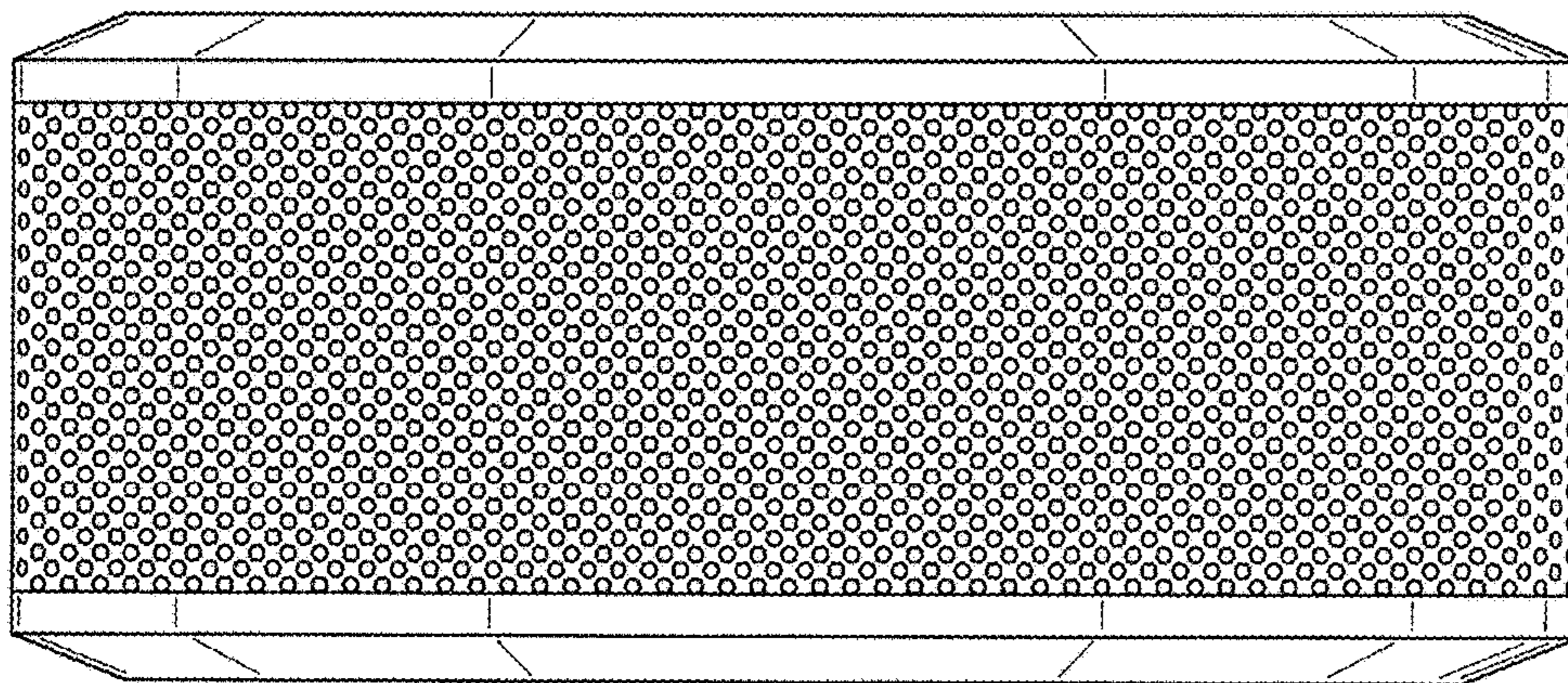


FIG. 3

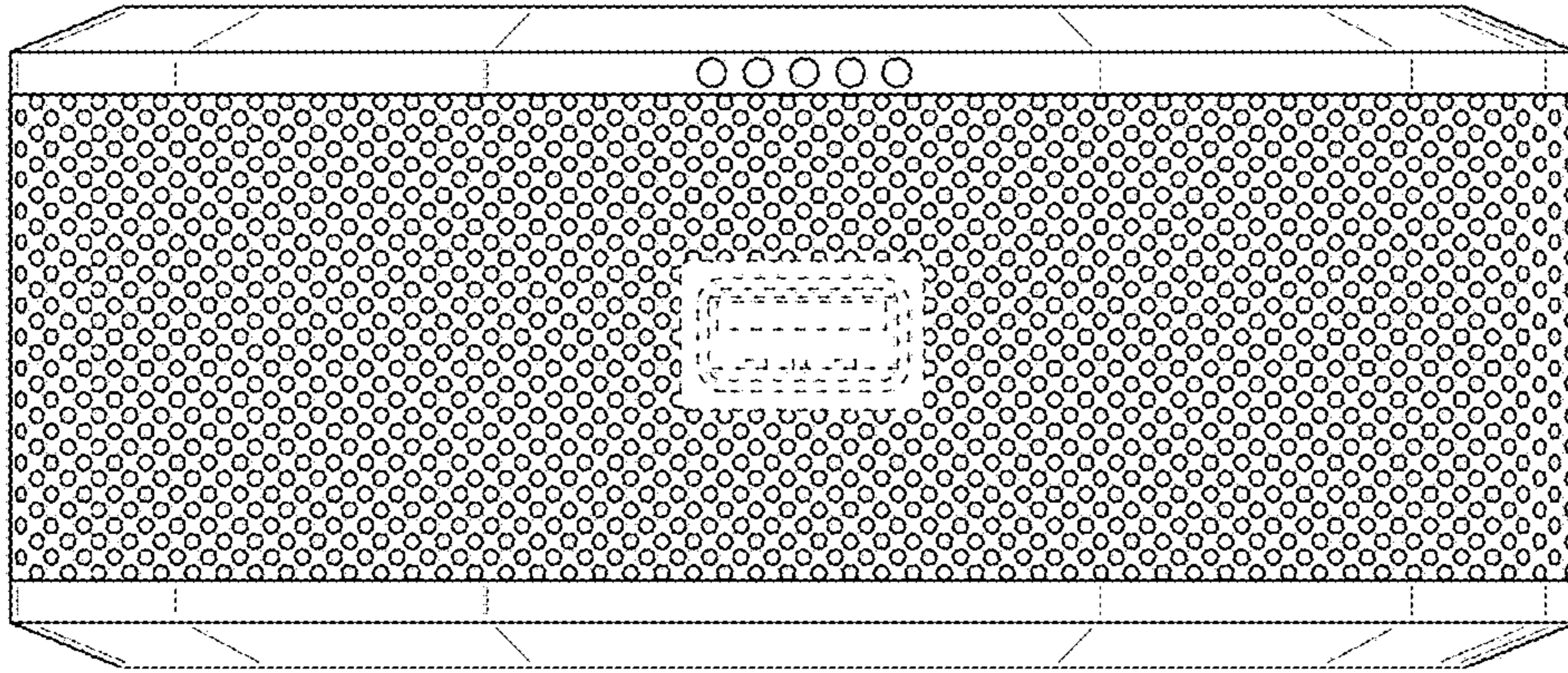


FIG. 4

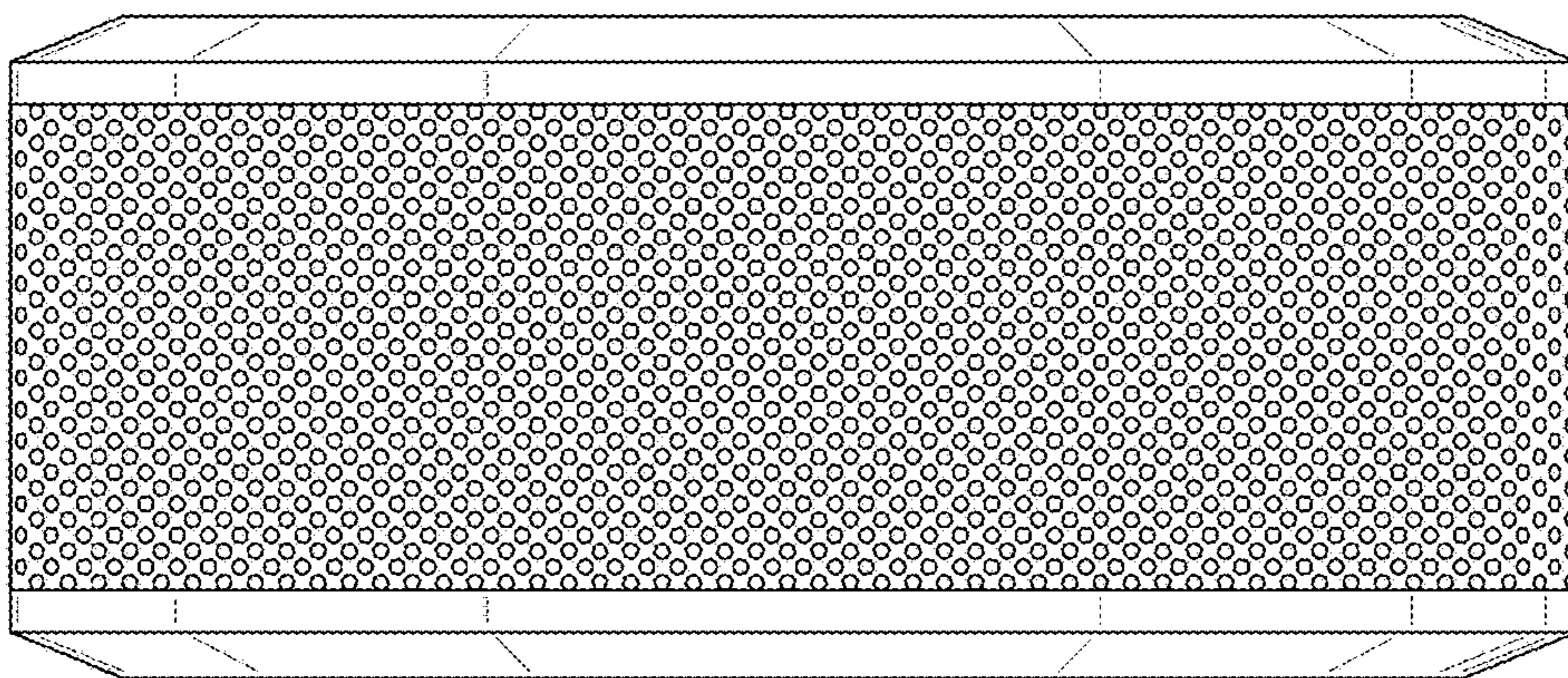


FIG. 5

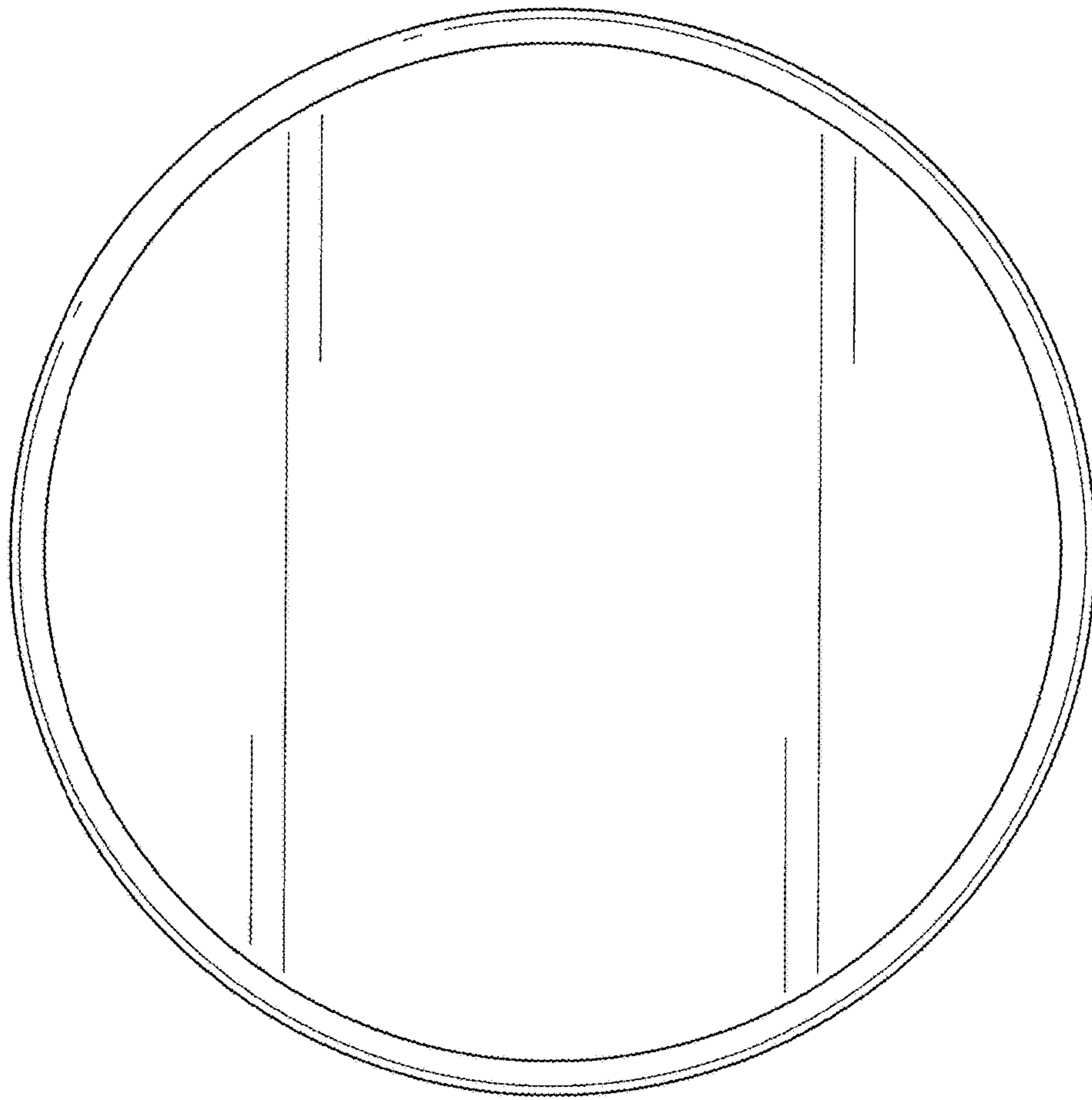


FIG. 6

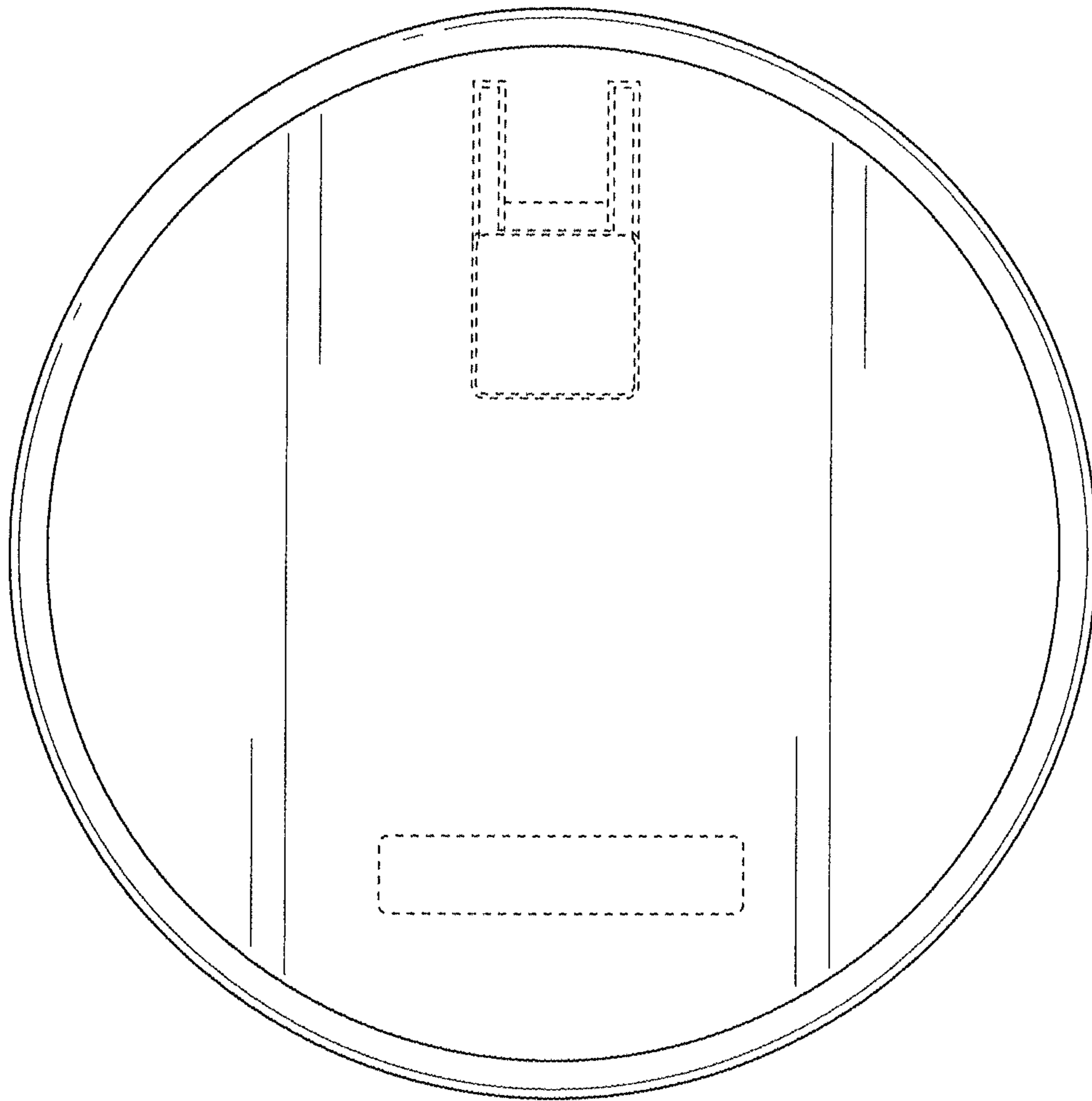


FIG. 7

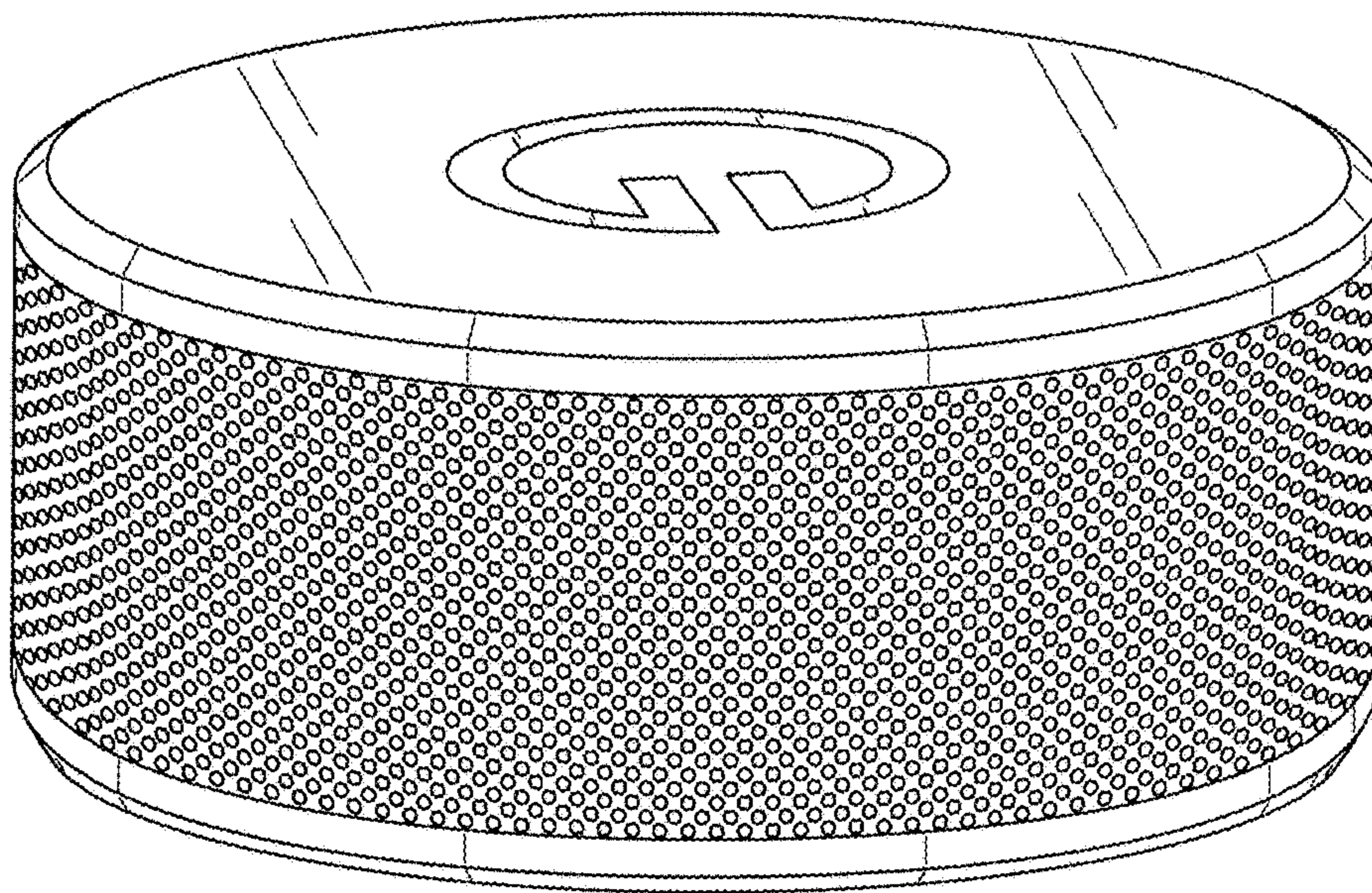


FIG. 8

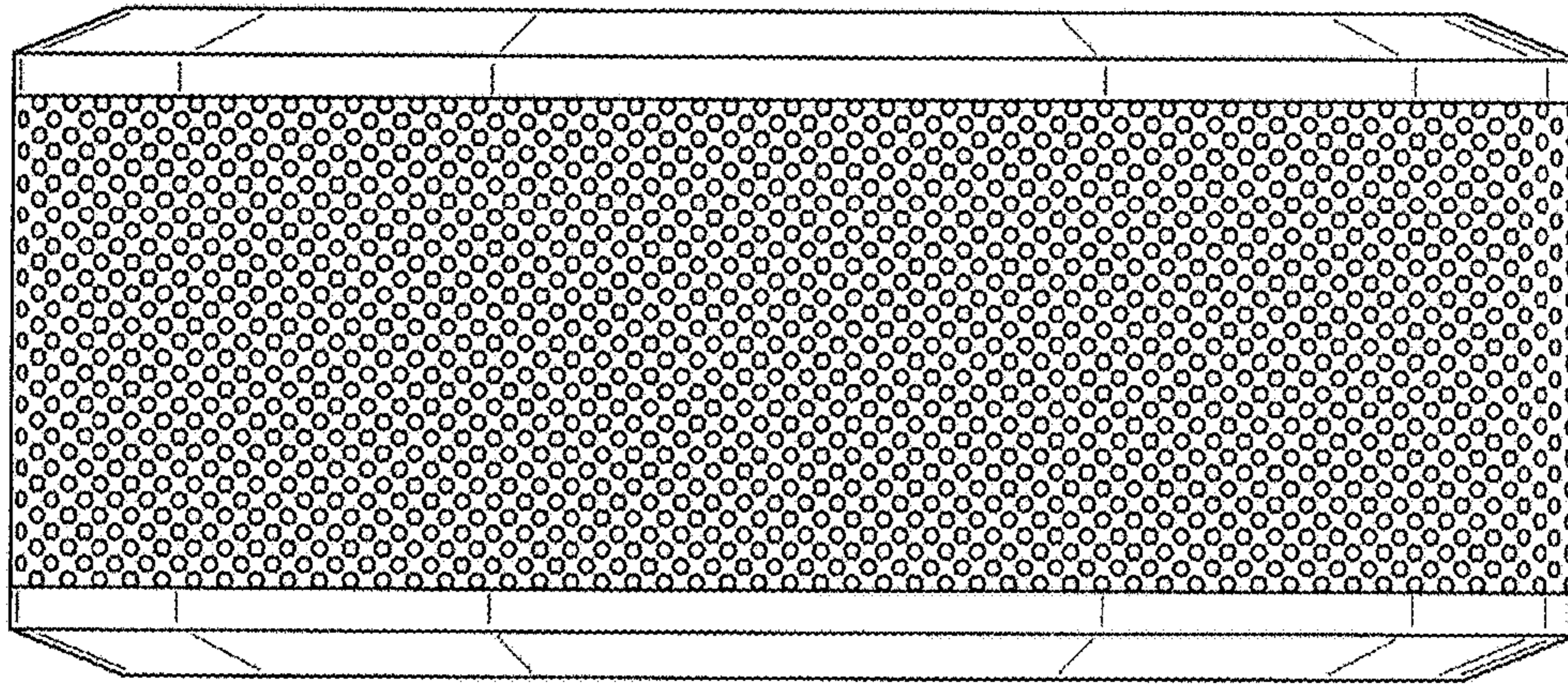


FIG. 9

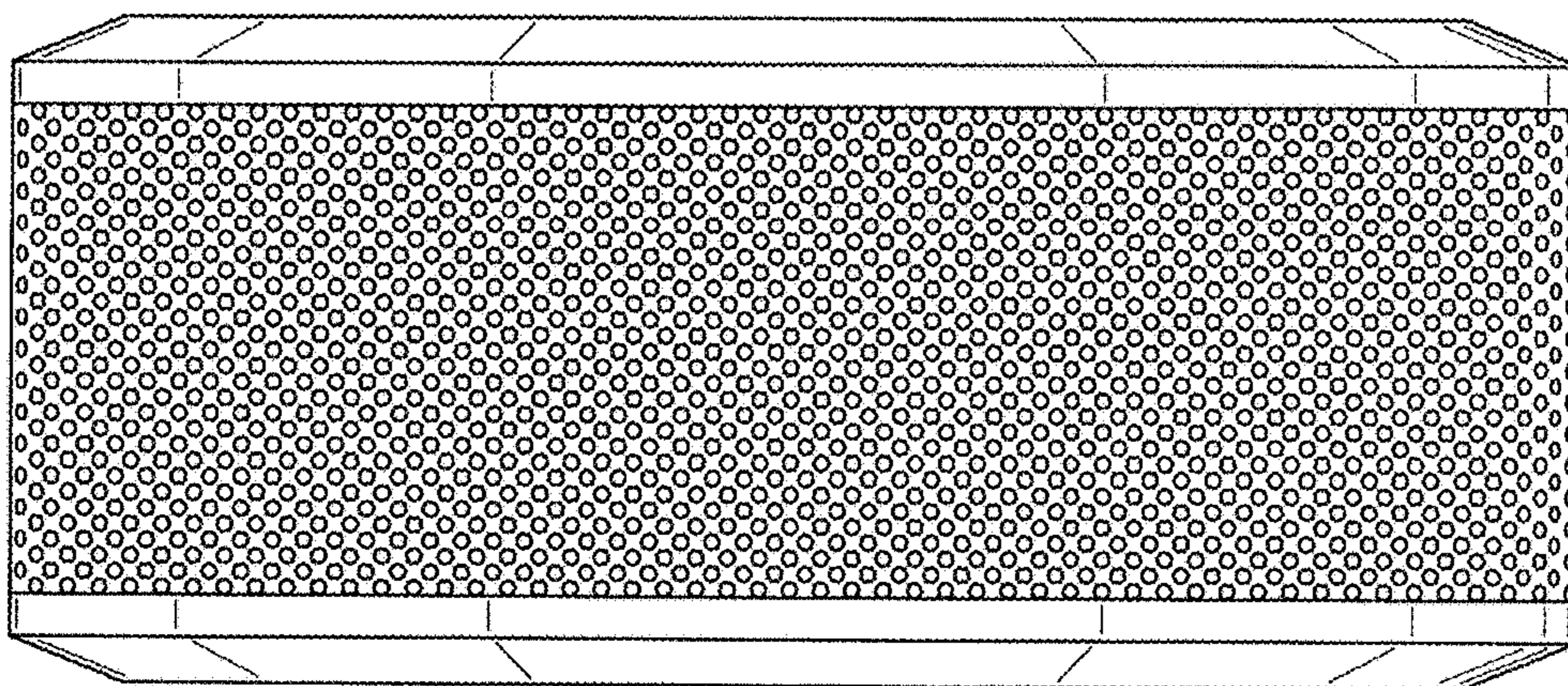


FIG. 10

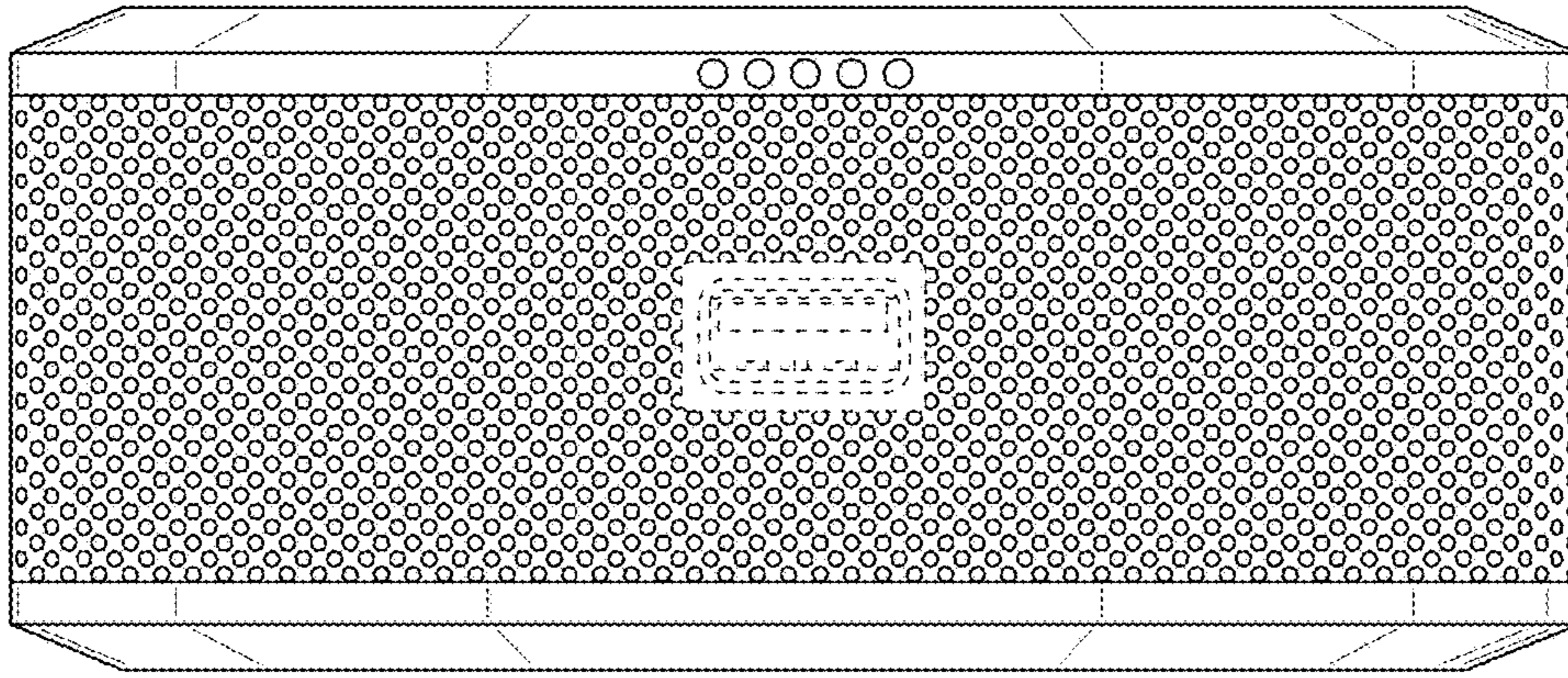


FIG. 11

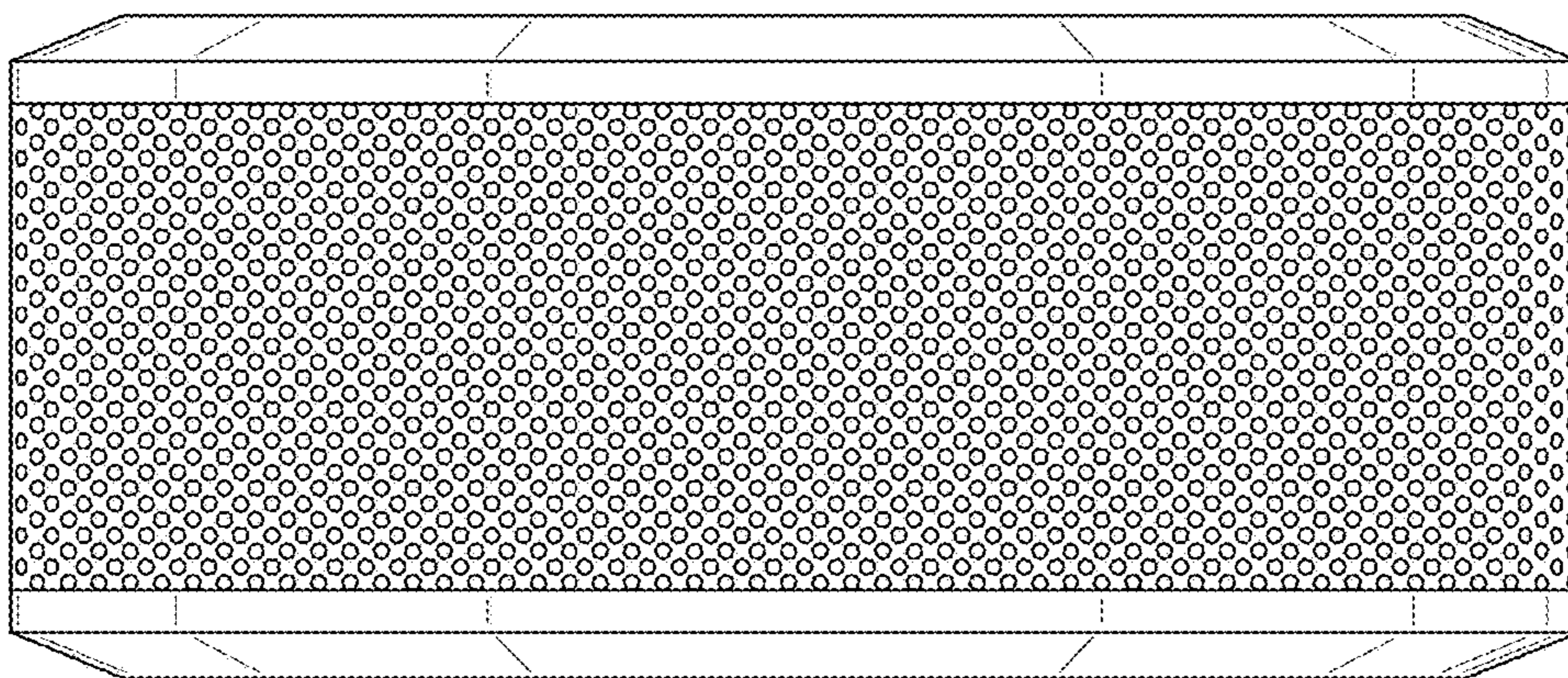


FIG. 12

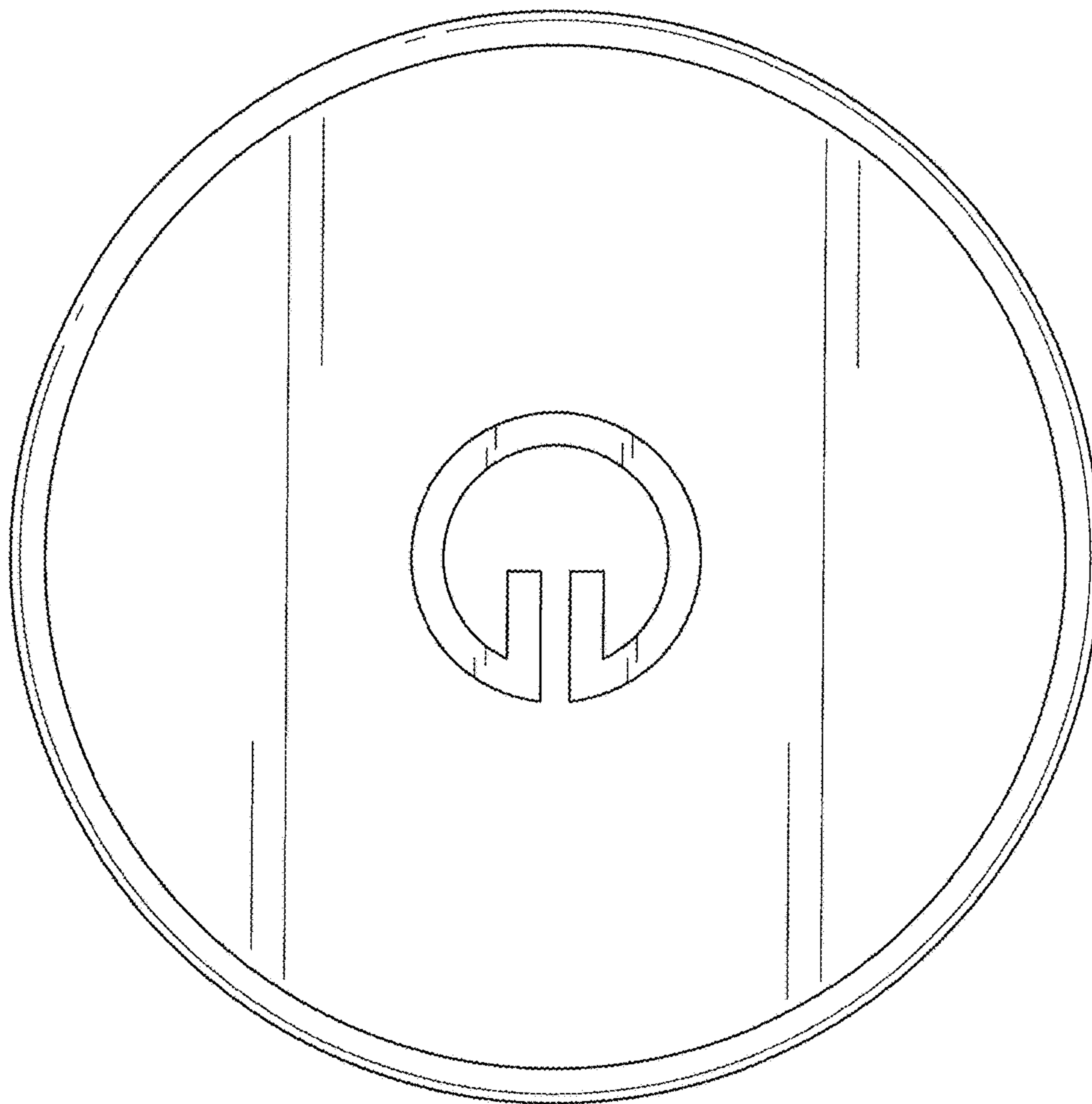


FIG. 13

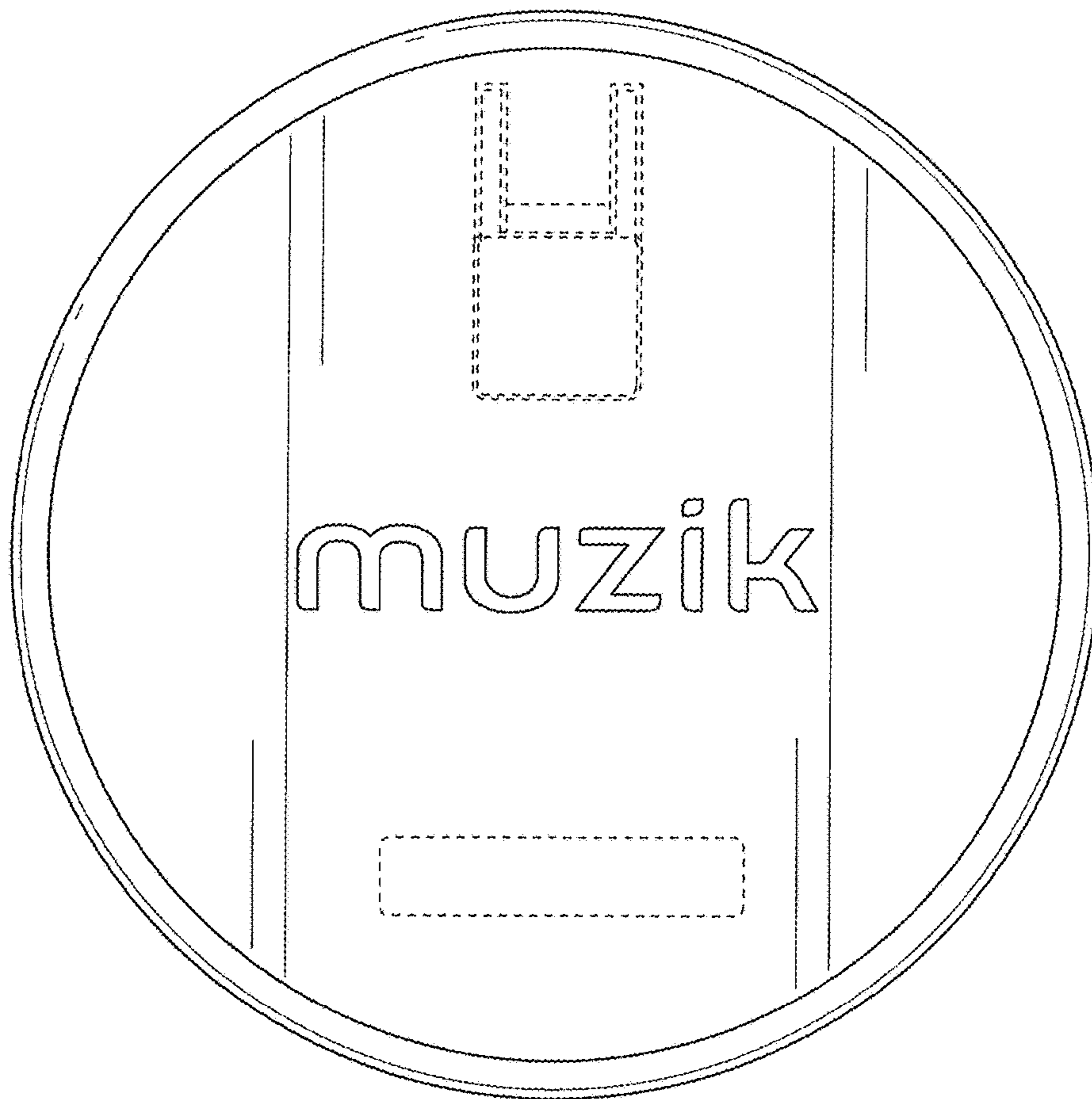


FIG. 14

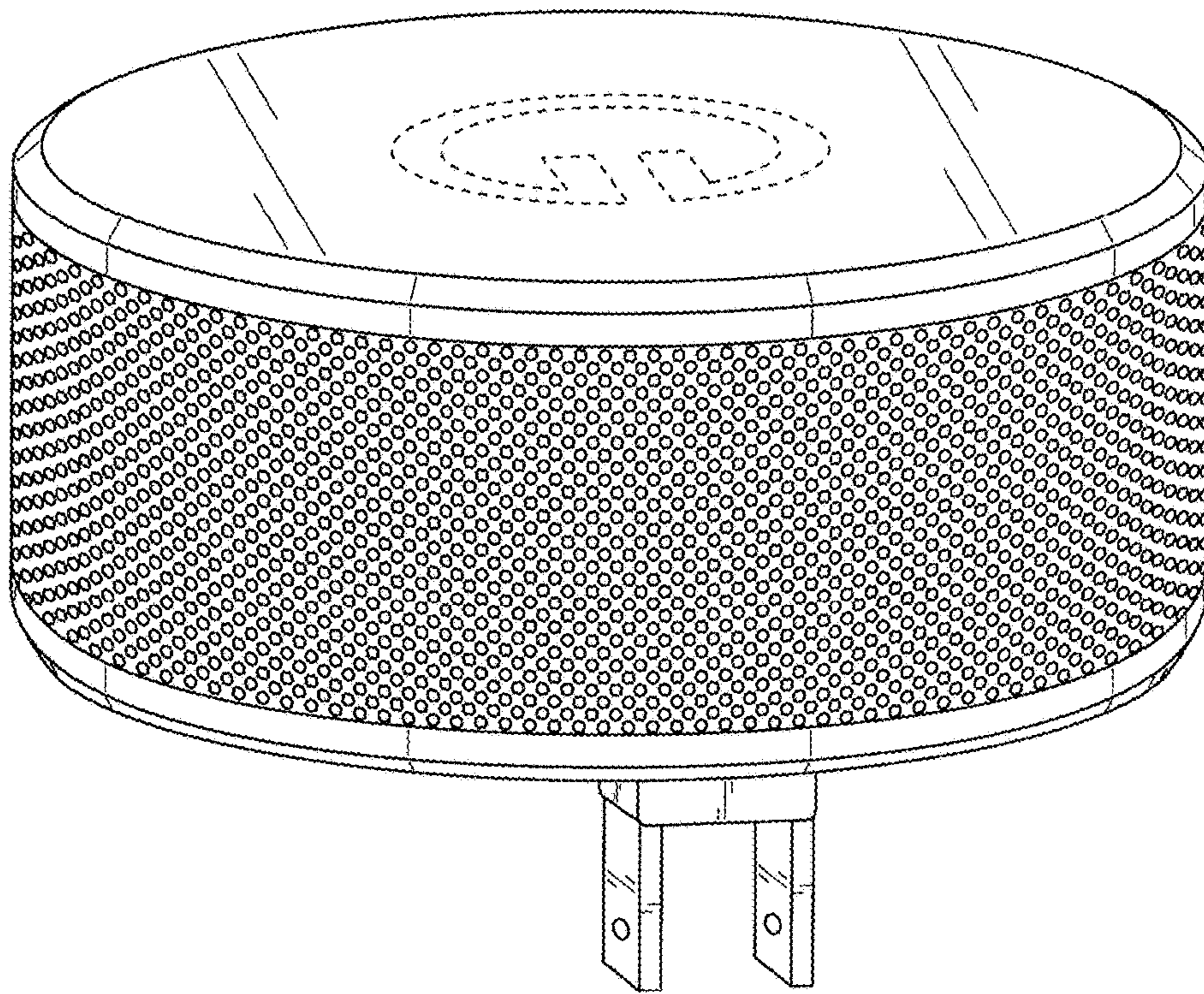


FIG. 15

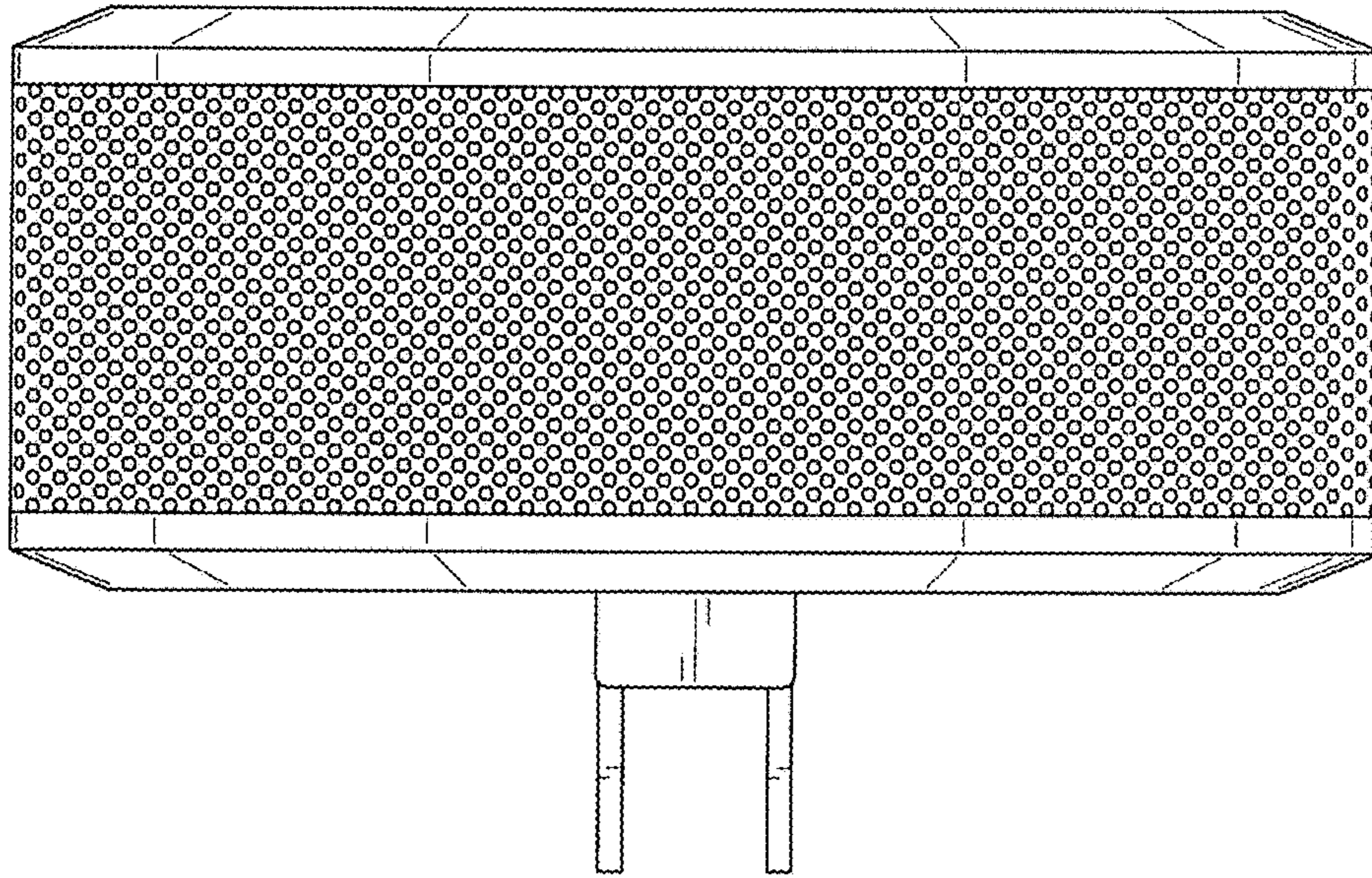


FIG. 16

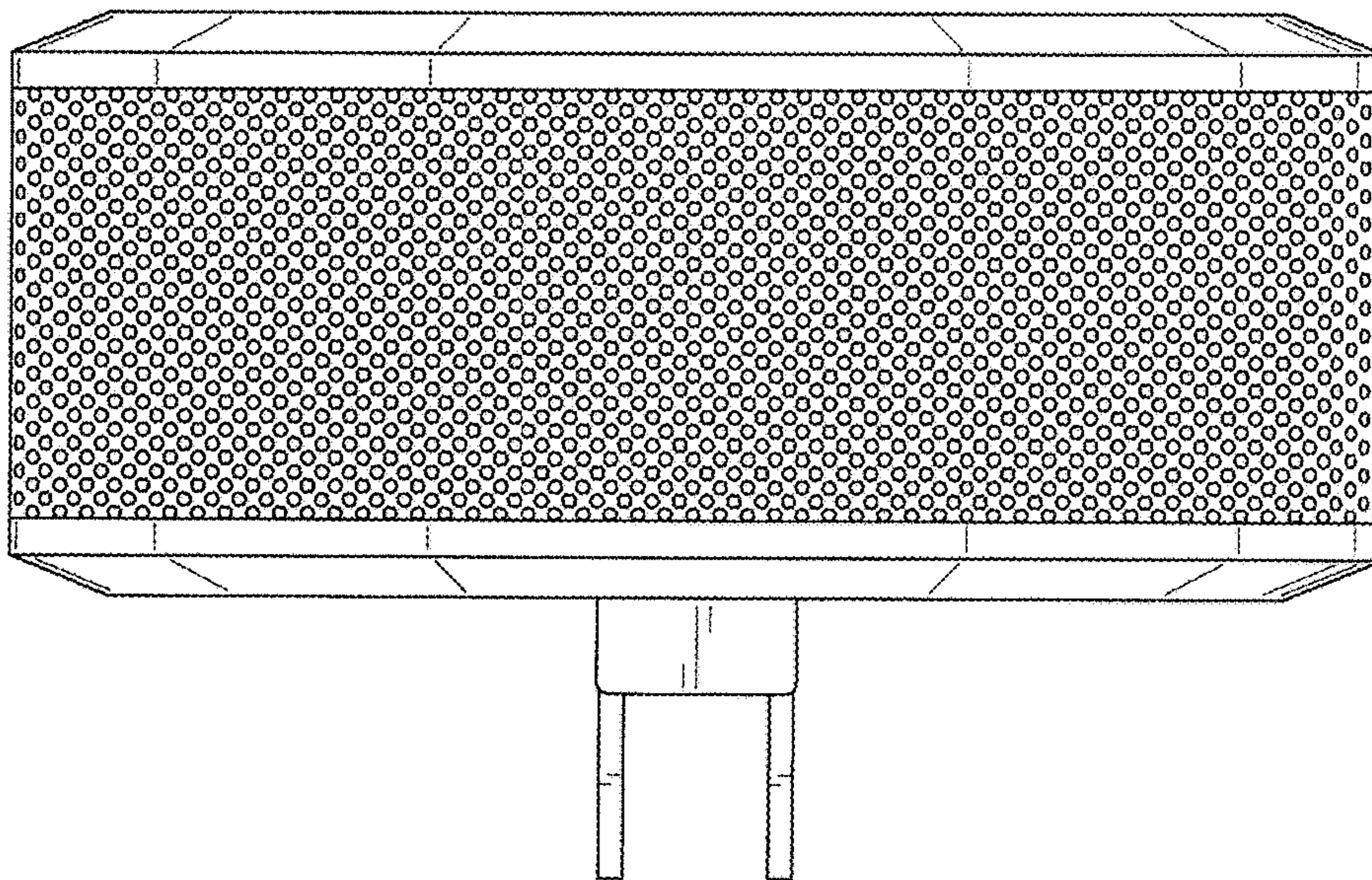


FIG. 17

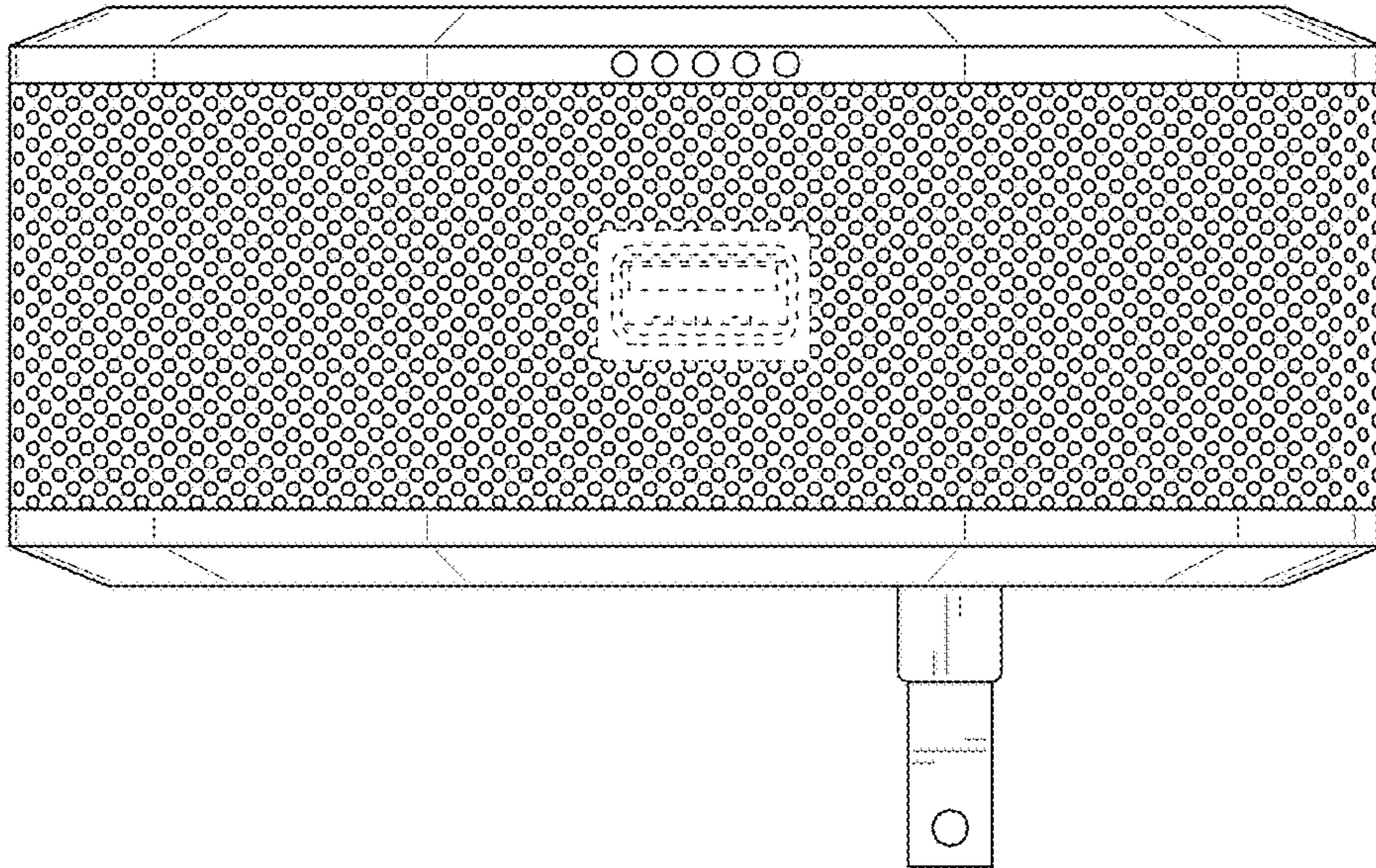


FIG. 18

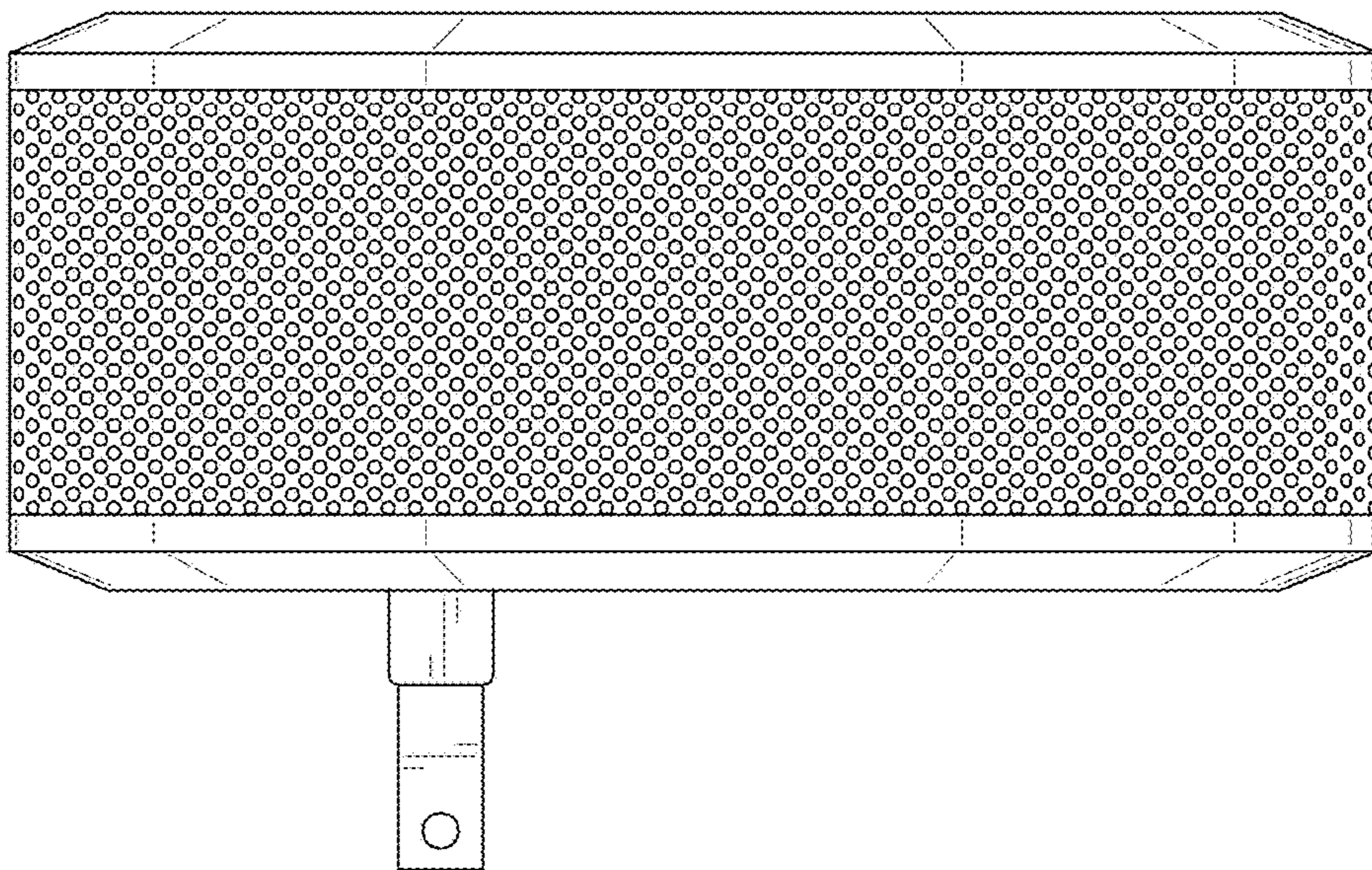


FIG. 19

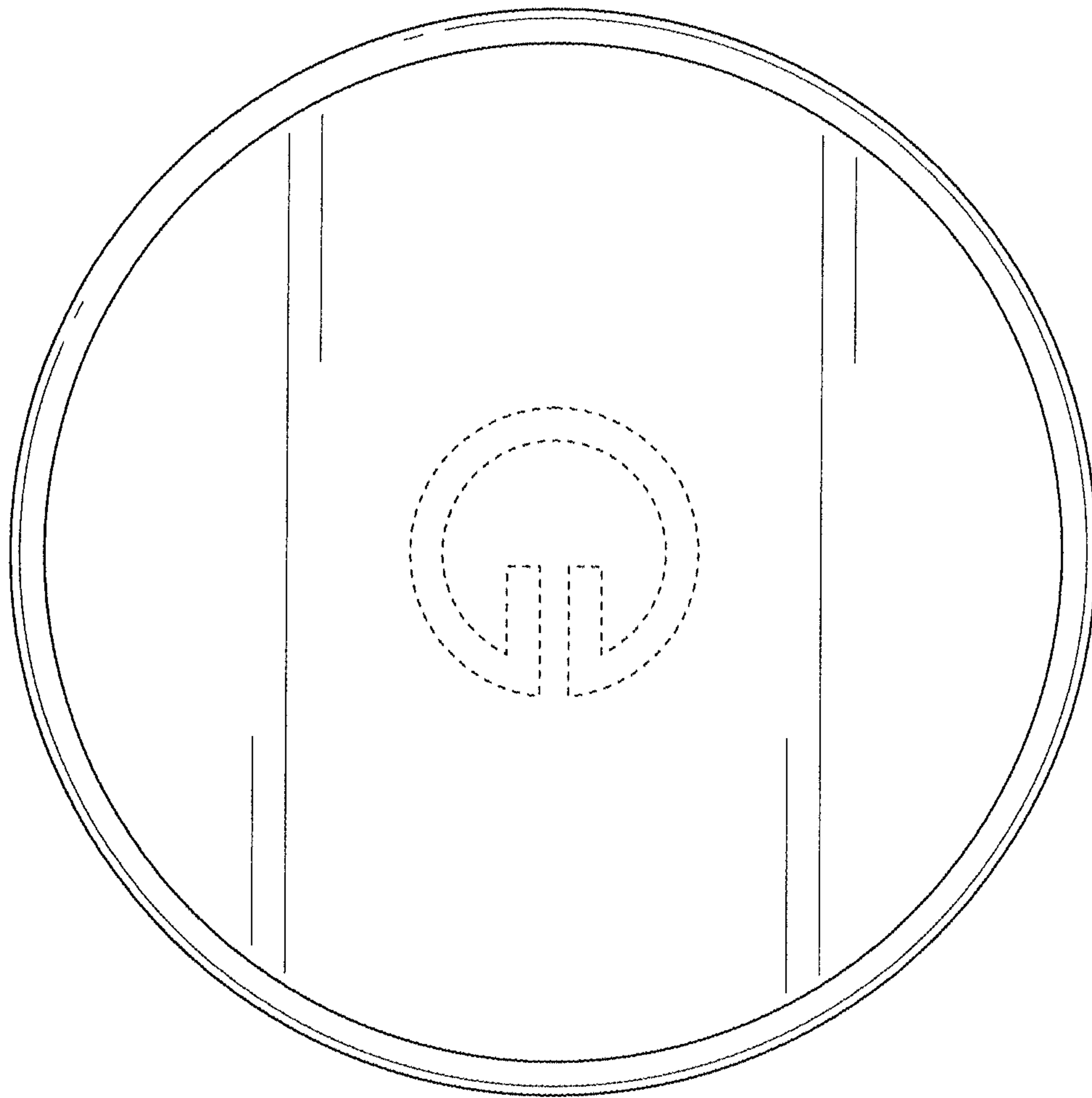


FIG. 20

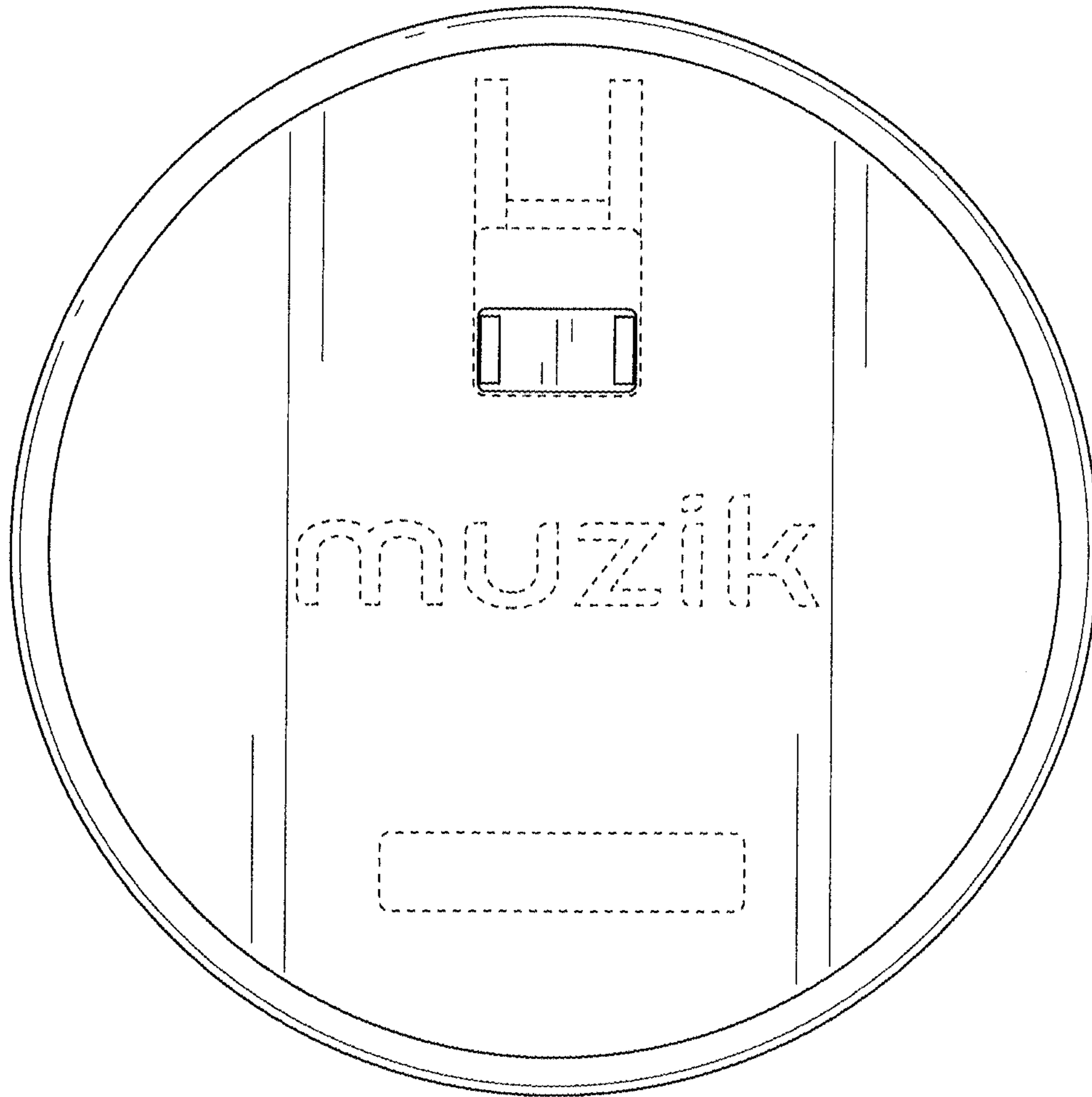


FIG. 21