

US00D829683S

(12) **United States Design Patent**
Su et al.

(10) **Patent No.:** **US D829,683 S**
(45) **Date of Patent:** **** Oct. 2, 2018**

(54) **IP DESKTOP PHONE**

DESCRIPTION

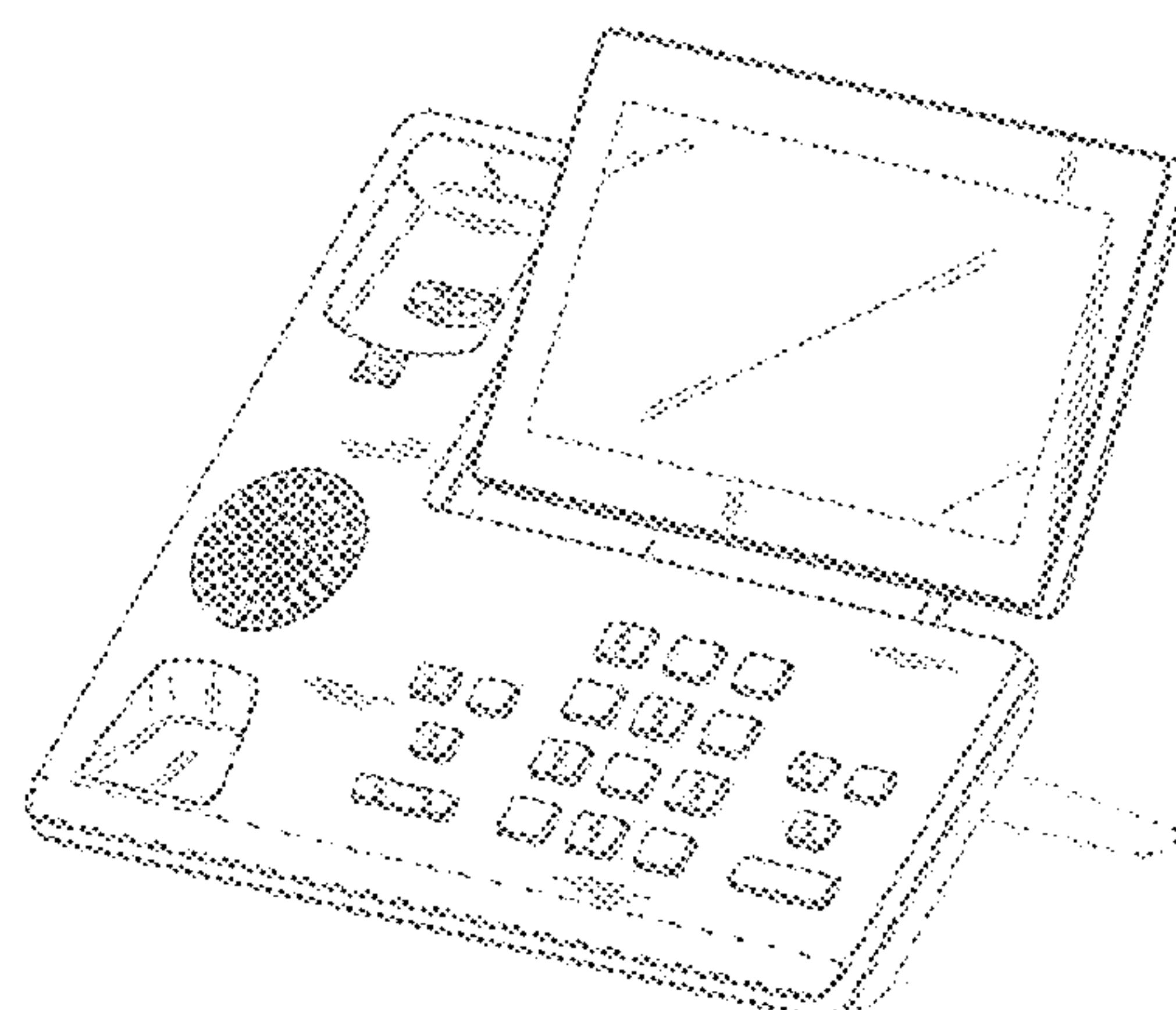
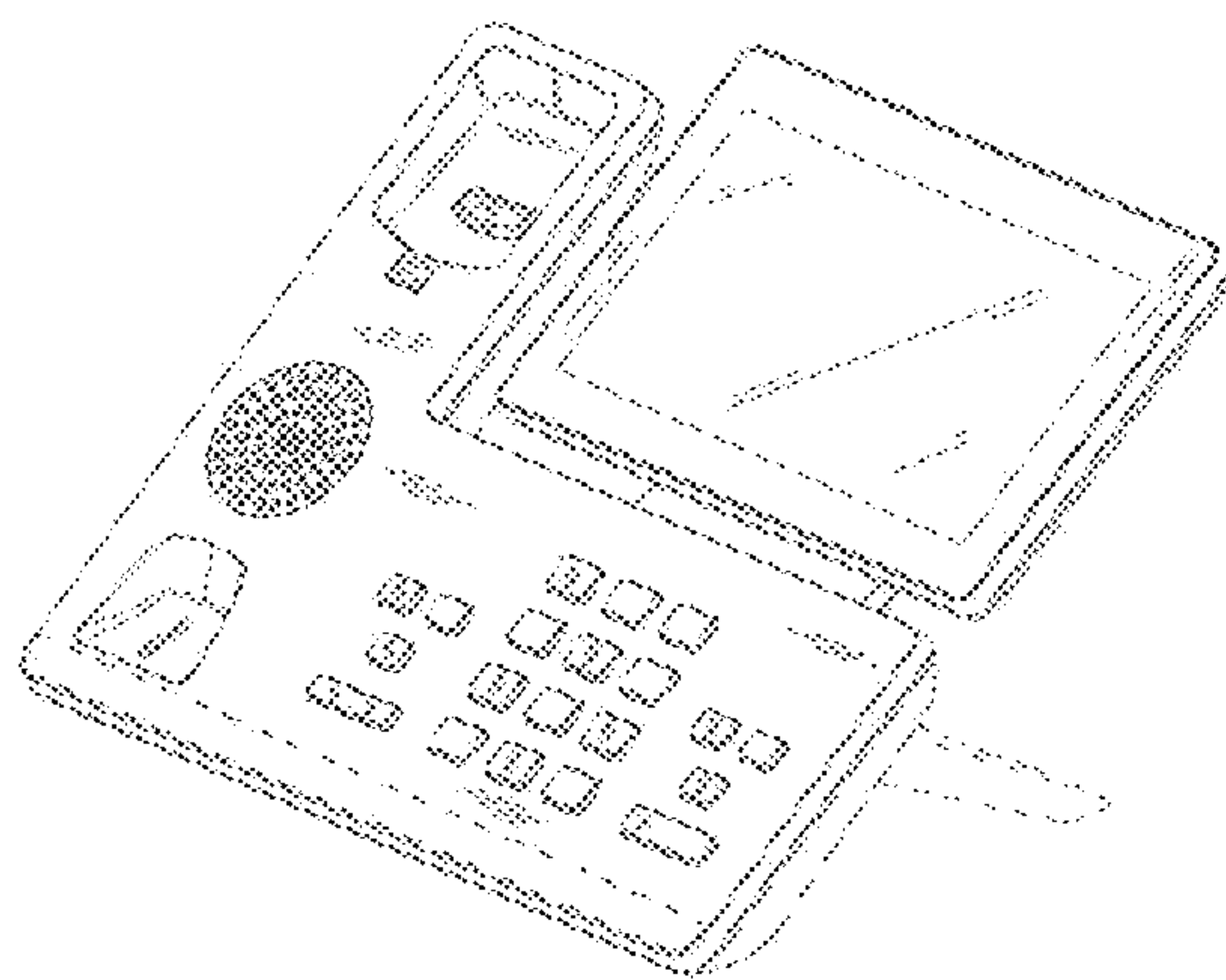
- (71) Applicant: **YEALINK (XIAMEN) NETWORK TECHNOLOGY CO., LTD**, Xiamen (CN)
- (72) Inventors: **Jingfeng Su**, Xiamen (CN); **Jiancheng Zhang**, Xiamen (CN); **Weicen Xu**, Xiamen (CN)
- (73) Assignee: **YEALINK (XIAMEN) NETWORK TECHNOLOGY CO., LTD.**, Xiamen (CN)
- (**) Term: **15 Years**
- (21) Appl. No.: **29/583,779**
- (22) Filed: **Nov. 9, 2016**
- (30) **Foreign Application Priority Data**
 - Aug. 27, 2016 (CN) 2016 3 0432118
- (51) **LOC (11) Cl.** **14-03**
- (52) **U.S. Cl.**
 - USPC **D14/151**
- (58) **Field of Classification Search**
 - USPC ... D14/140, 140.1, 140.7, 140.8, 141.2, 142, D14/144, 147, 148, 149, 150, 151, 158, (Continued)
- (56) **References Cited**
 - U.S. PATENT DOCUMENTS**
 - D271,972 S * 12/1983 Genaro D14/149
 - D304,564 S * 11/1989 Kido D14/151

FIG. 1 is a front view of a first embodiment of an IP desktop phone showing my new design; FIG. 2 is a back view thereof; FIG. 3 is a left view thereof; FIG. 4 is a right view thereof; FIG. 5 is a top view thereof; FIG. 6 is a bottom view thereof; FIG. 7 is a perspective view thereof; FIG. 8 is another perspective view thereof with a phone receiver illustrated in broken lines; FIG. 9 is a front view of the first embodiment of the IP desktop phone with the display shown in an alternate position for use; FIG. 10 is a back view thereof; FIG. 11 is a left view thereof; FIG. 12 is a right view thereof; FIG. 13 is a top view thereof; FIG. 14 is a bottom view thereof; FIG. 15 is a perspective view thereof; FIG. 16 is another perspective view thereof with a phone receiver illustrated in broken lines; FIG. 17 is a front view of a second embodiment of the IP desktop phone the display shown in an alternate position for use, the only deviation from the first embodiment is the shape of the twelve buttons at the middle of the front surface; FIG. 18 is a back view thereof; FIG. 19 is a left view thereof; FIG. 20 is a right view thereof; FIG. 21 is a top view thereof; FIG. 22 is a bottom view thereof; FIG. 23 is a perspective view thereof; and, FIG. 24 is another perspective view thereof with a phone receiver illustrated in broken lines. The broken lines showing the phone receiver depict environmental subject matter only and form no part of the claim, while all other broken lines in the drawings depict portions of the IP desktop phone that form no part of the claimed design.

Primary Examiner — Susan Bennett Hattan
Assistant Examiner — Marie D. Fast Horse
 (74) *Attorney, Agent, or Firm* — Gokalp Bayramoglu

(57) **CLAIM**
 The ornamental design for an IP desktop phone, as shown and described.

1 Claim, 24 Drawing Sheets



(58) **Field of Classification Search**

USPC D14/159, 188, 217, 240, 243, 247, 248,
 D14/251, 299, 329, 462, 467, 471, 130;
 D21/517
 CPC H04M 1/00; H04M 1/003; H04M 1/006;
 H04M 1/02; H04M 1/0297; H04M 1/03;
 H04M 1/0214; H04M 1/6041; H04M
 1/6066; H04M 1/23; H04M 1/253; H04M
 1/2535; H04M 7/006

See application file for complete search history.

(56) **References Cited**

U.S. PATENT DOCUMENTS

D306,444 S * 3/1990 Fried D14/151
 D312,459 S * 11/1990 Oshima D14/151
 D313,235 S * 12/1990 Kido D14/151
 D321,188 S * 10/1991 Gordon D14/151
 D332,263 S * 1/1993 Taniguchi D14/151
 5,412,417 A * 5/1995 Tozuka H04N 7/142
 348/14.01
 D381,981 S * 8/1997 Johansson D14/151
 D394,259 S * 5/1998 Langlois D14/151
 5,761,297 A * 6/1998 Kingsbury H04M 1/0295
 379/428.03
 D398,302 S * 9/1998 Lio D14/130
 D405,447 S * 2/1999 Landry D14/151
 D410,005 S * 5/1999 Landry D14/151
 D412,171 S * 7/1999 Girardi D14/151
 D427,985 S * 7/2000 Takayama D14/130
 D457,870 S * 5/2002 Toyoshima D14/130
 D470,830 S * 2/2003 Weidinger D14/151
 D472,540 S * 4/2003 Katou D14/151

6,618,903 B2 * 9/2003 Kim H04M 1/02
 16/337
 D489,700 S * 5/2004 Hillenmayer D14/151
 D490,393 S * 5/2004 Taniguchi D14/151
 D490,394 S * 5/2004 Taniguchi D14/151
 D490,795 S * 6/2004 Watanabe D14/151
 D499,713 S * 12/2004 Shibata D14/151
 D500,482 S * 1/2005 Shibata D14/140.11
 D501,840 S * 2/2005 Pelletier D14/151
 D511,761 S * 11/2005 Robinson D14/151
 D512,705 S * 12/2005 Bhavnani D14/151
 D515,063 S * 2/2006 Yanagisawa D14/151
 D529,477 S * 10/2006 Hsu D14/151
 D530,303 S * 10/2006 Tang D14/151
 D537,065 S * 2/2007 Chen D14/151
 D550,195 S * 9/2007 Ju D14/151
 D551,203 S * 9/2007 Abe D14/151
 D552,588 S * 10/2007 Park D14/151
 D555,143 S * 11/2007 Chou D14/151
 D557,249 S * 12/2007 Weidinger D14/151
 D558,729 S * 1/2008 Daly D14/151
 D558,730 S * 1/2008 Nakashima D14/151
 D597,061 S * 7/2009 Akatsu D14/151
 D600,670 S * 9/2009 Akatsu D14/151
 D600,671 S * 9/2009 Akatsu D14/151
 D601,118 S * 9/2009 Akatsu D14/151
 D601,119 S * 9/2009 Akatsu D14/151
 D605,615 S * 12/2009 Fuxen D14/130
 D664,520 S * 7/2012 Shadovitz D14/150
 D739,373 S * 9/2015 Hillenmayer D14/144
 9,210,259 B2 * 12/2015 Schaade H04L 12/12
 D781,809 S * 3/2017 Schwarz D14/151
 D782,994 S * 4/2017 Schwarz D14/151
 D788,737 S * 6/2017 Takei D14/151
 2004/0247113 A1 * 12/2004 Akatsu H04M 1/02
 379/419

* cited by examiner

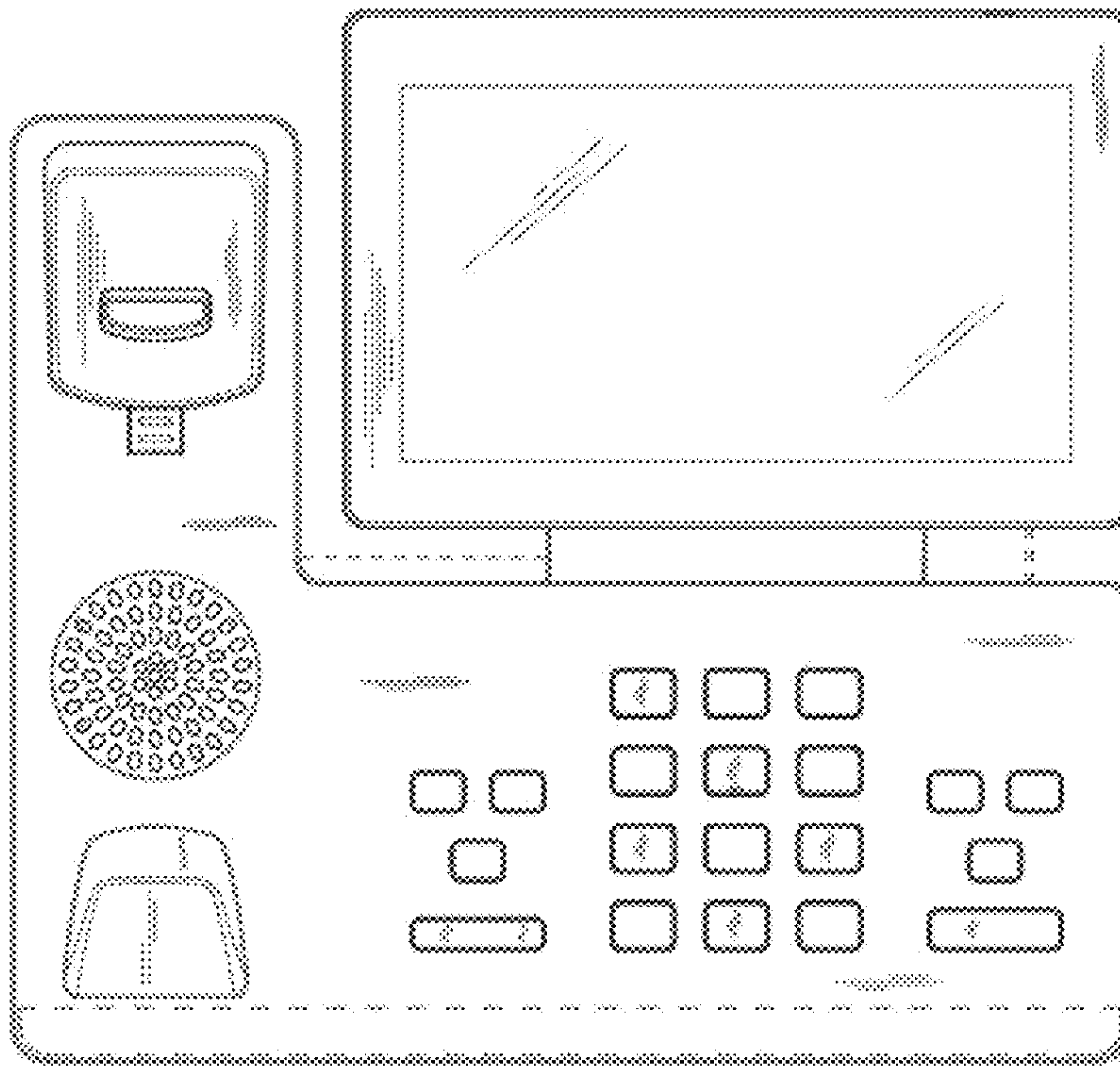


FIG. 1

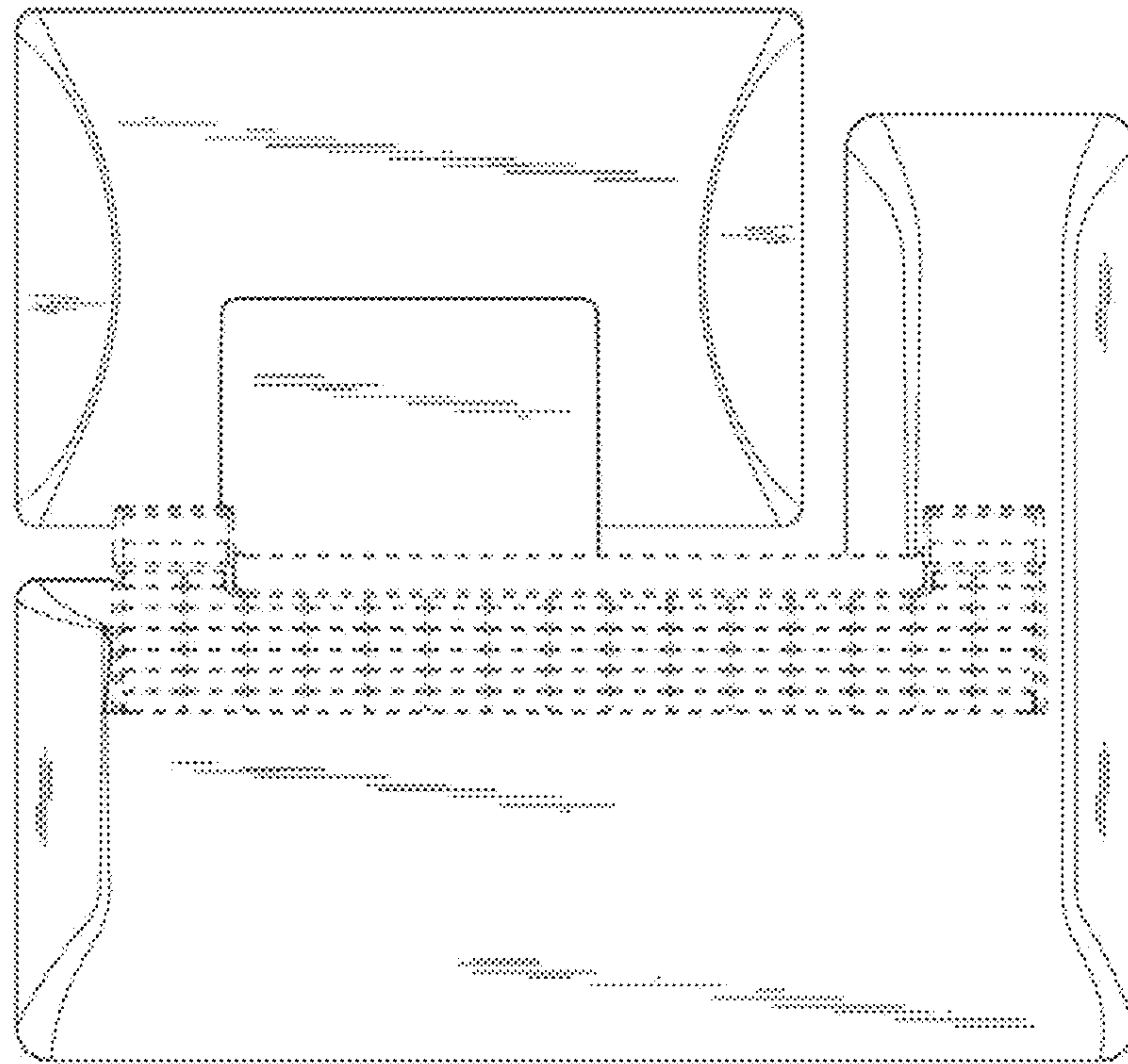


FIG.2

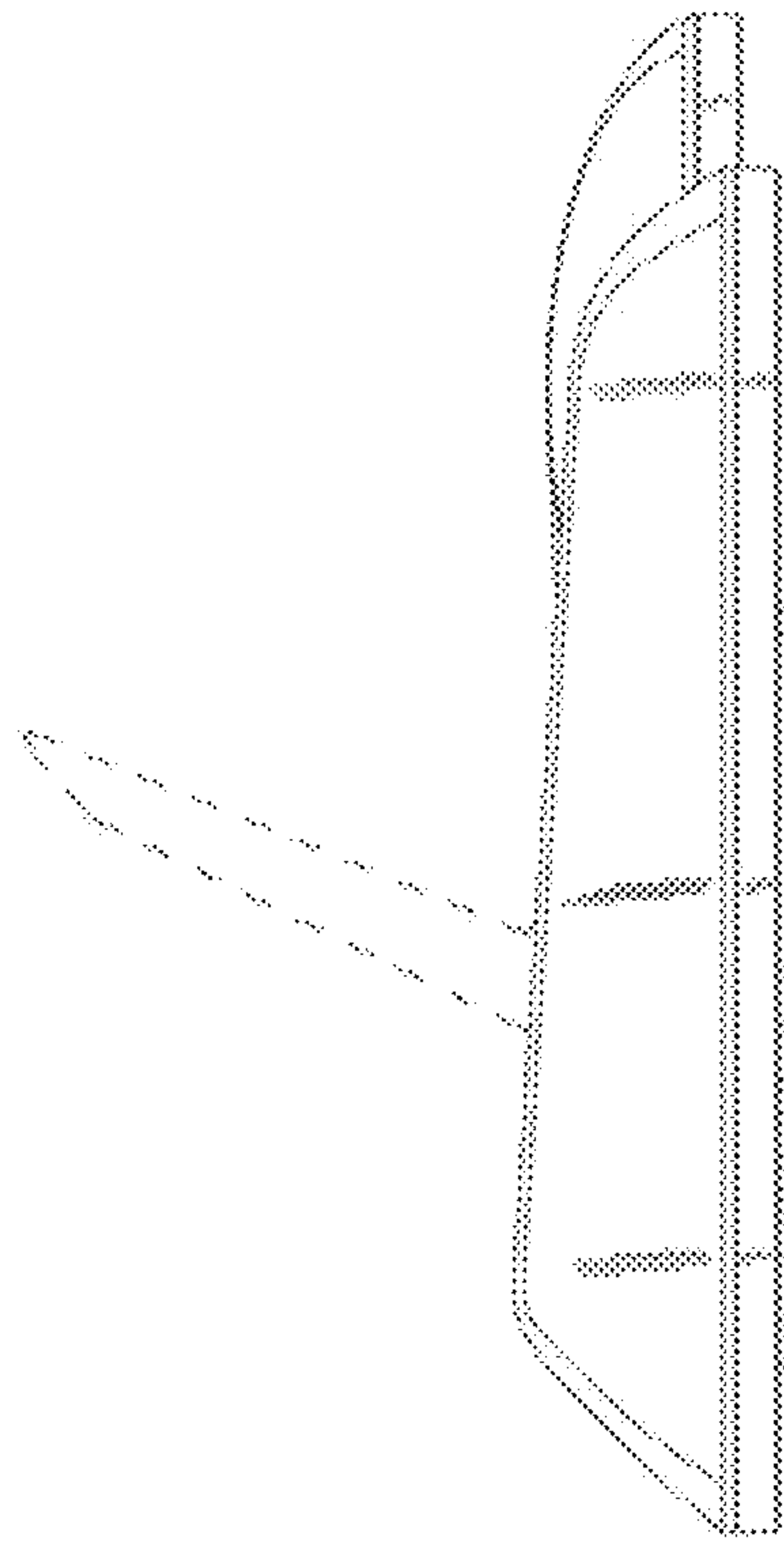


FIG.3

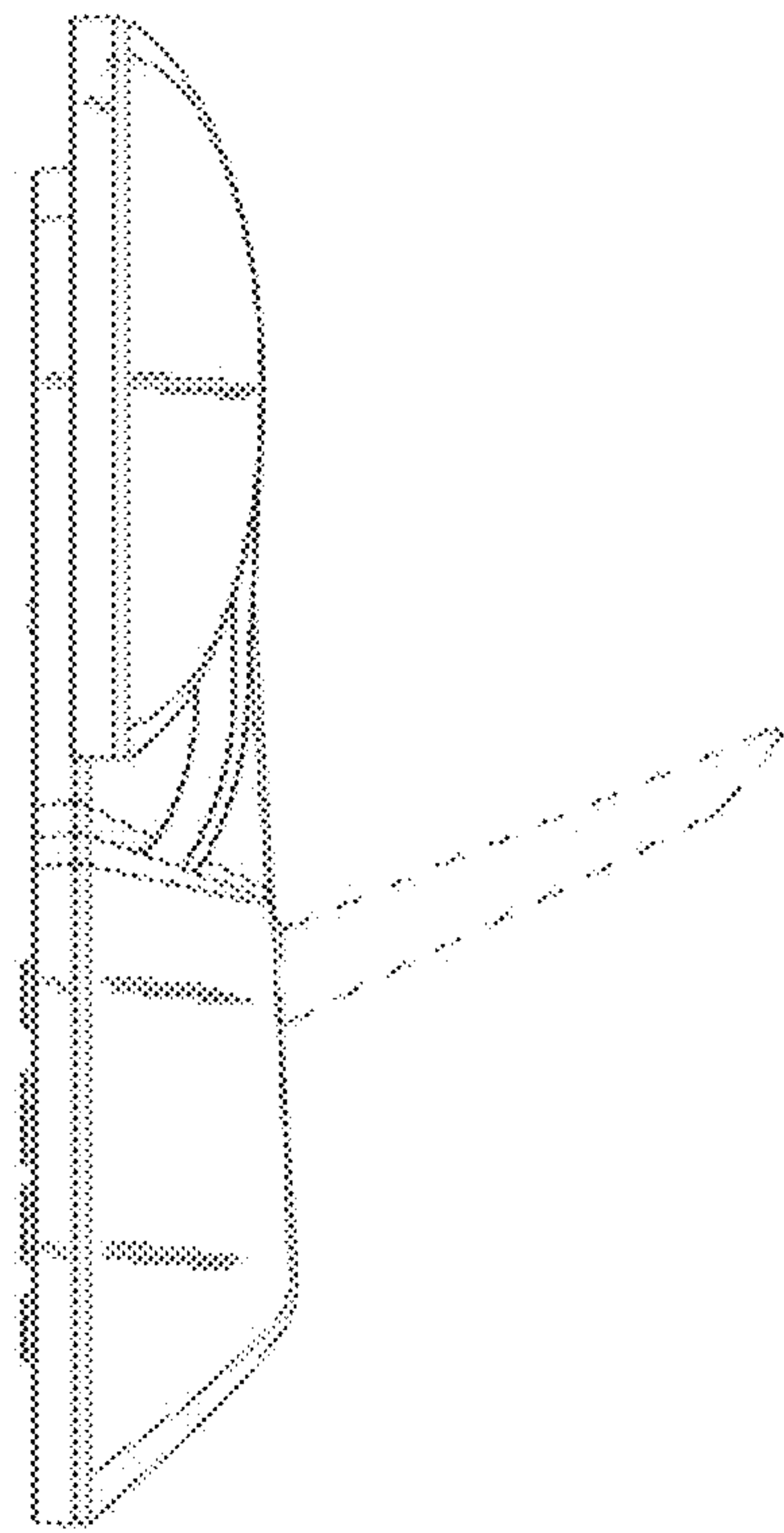


FIG. 4

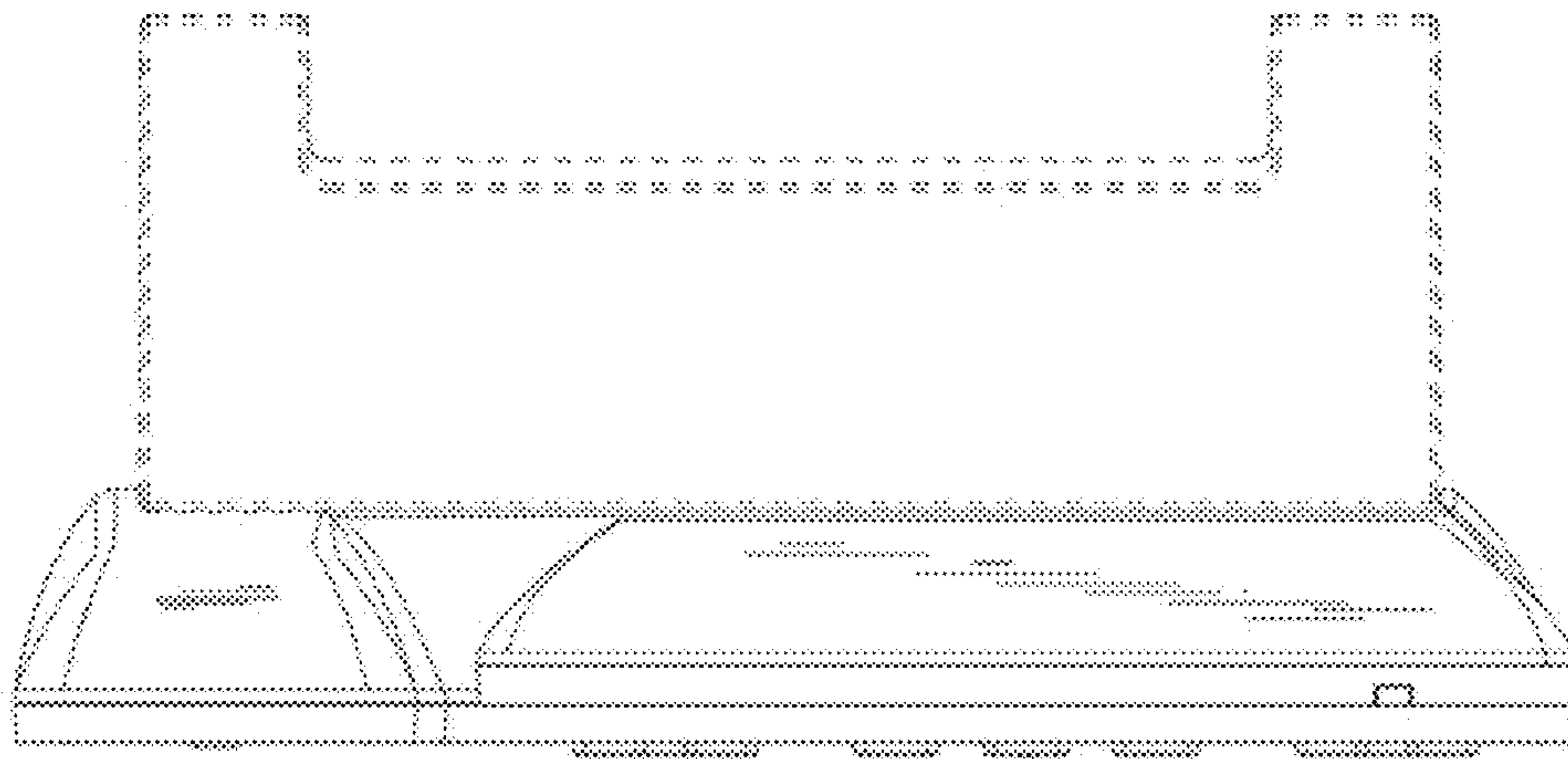


FIG.5

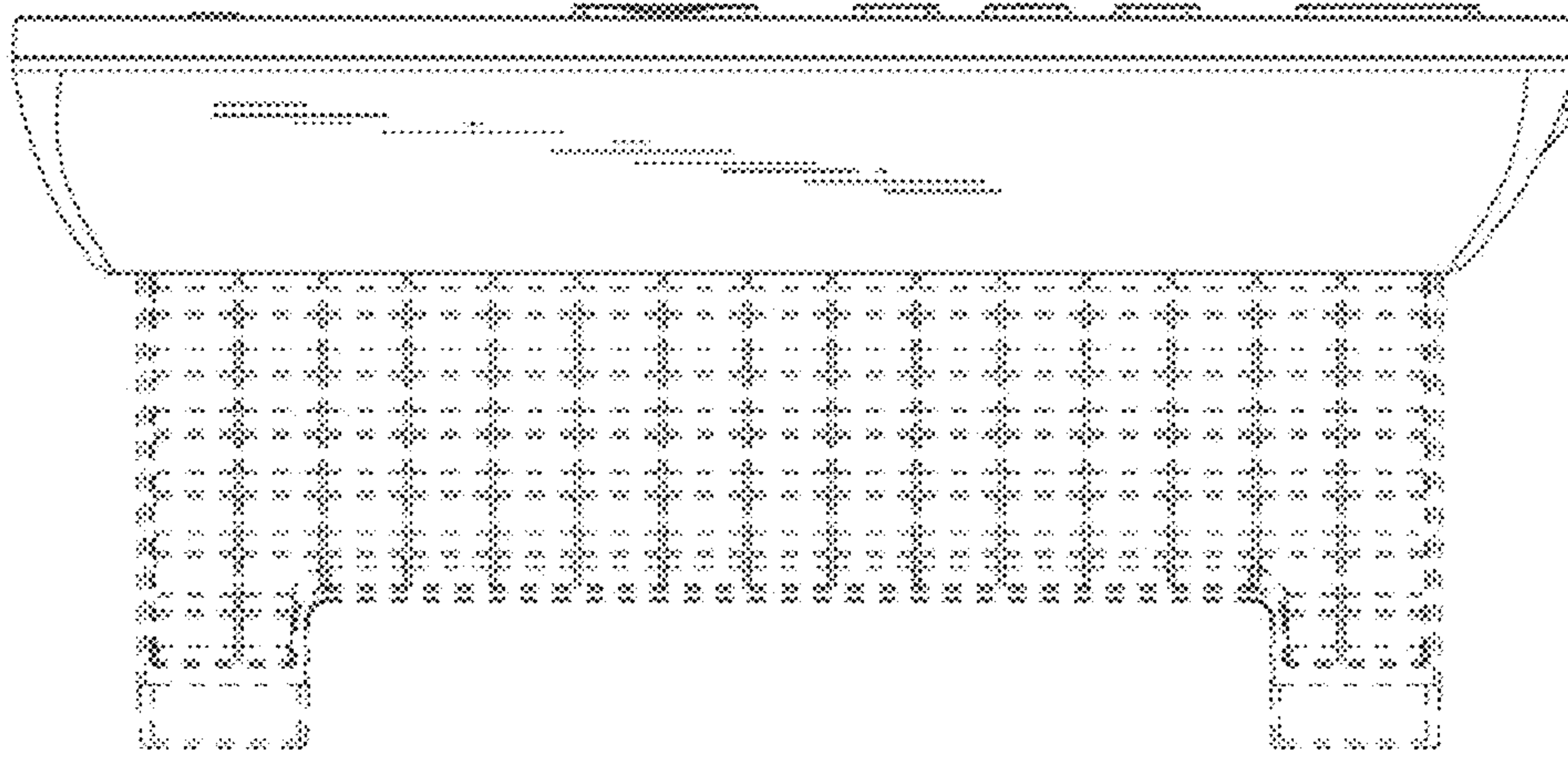


FIG.6

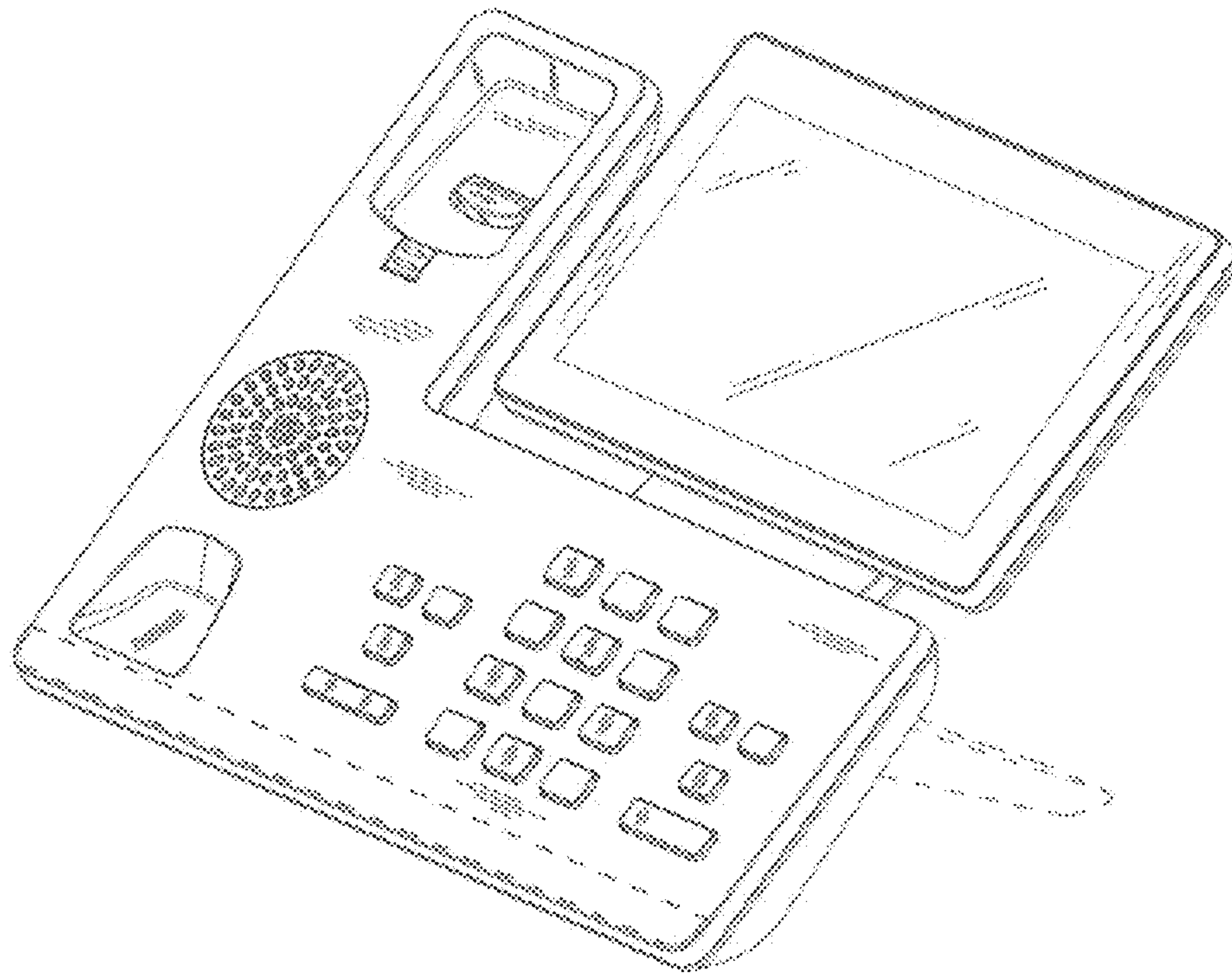


FIG. 7



FIG. 8

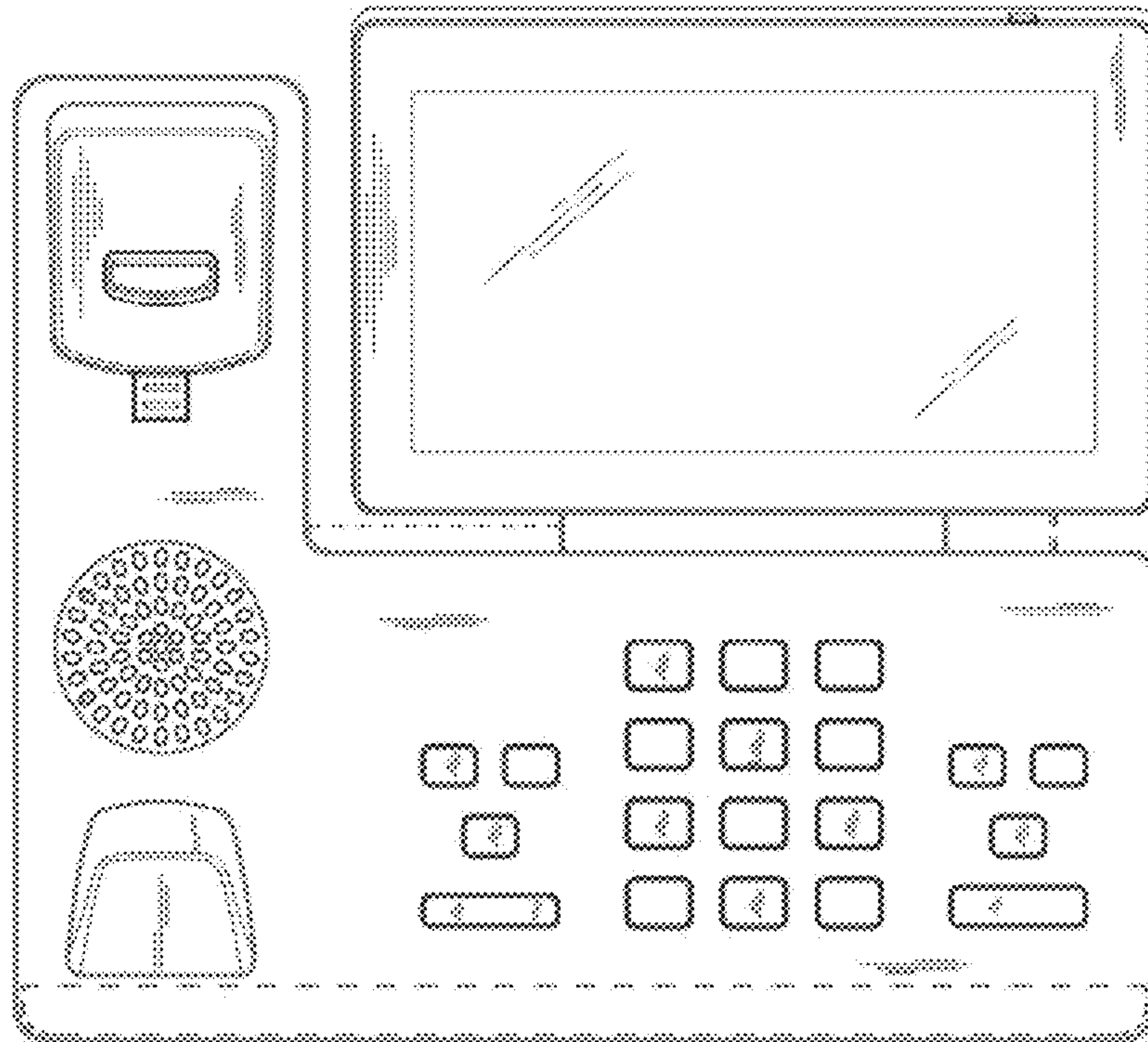


FIG.9

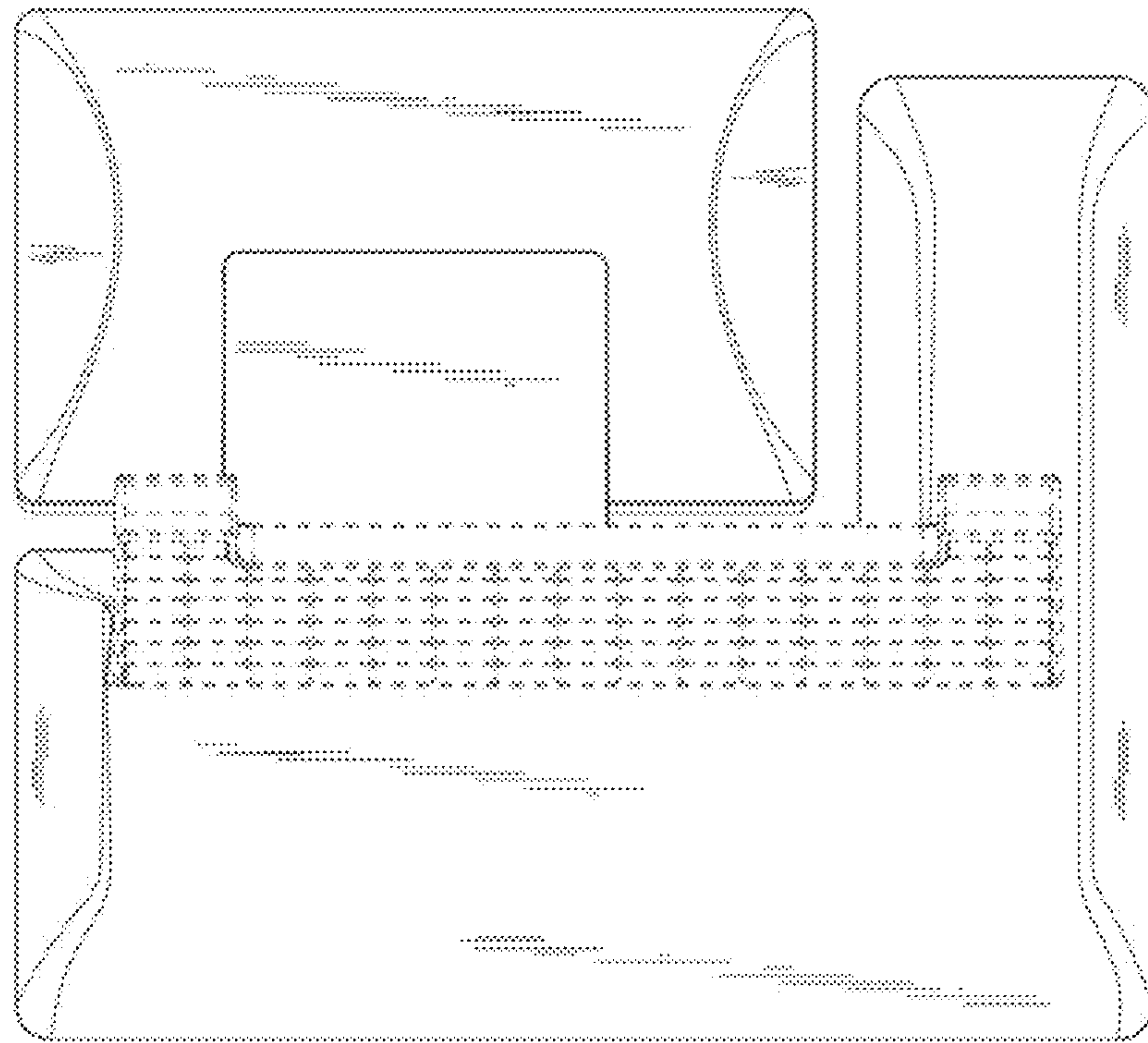


FIG. 10

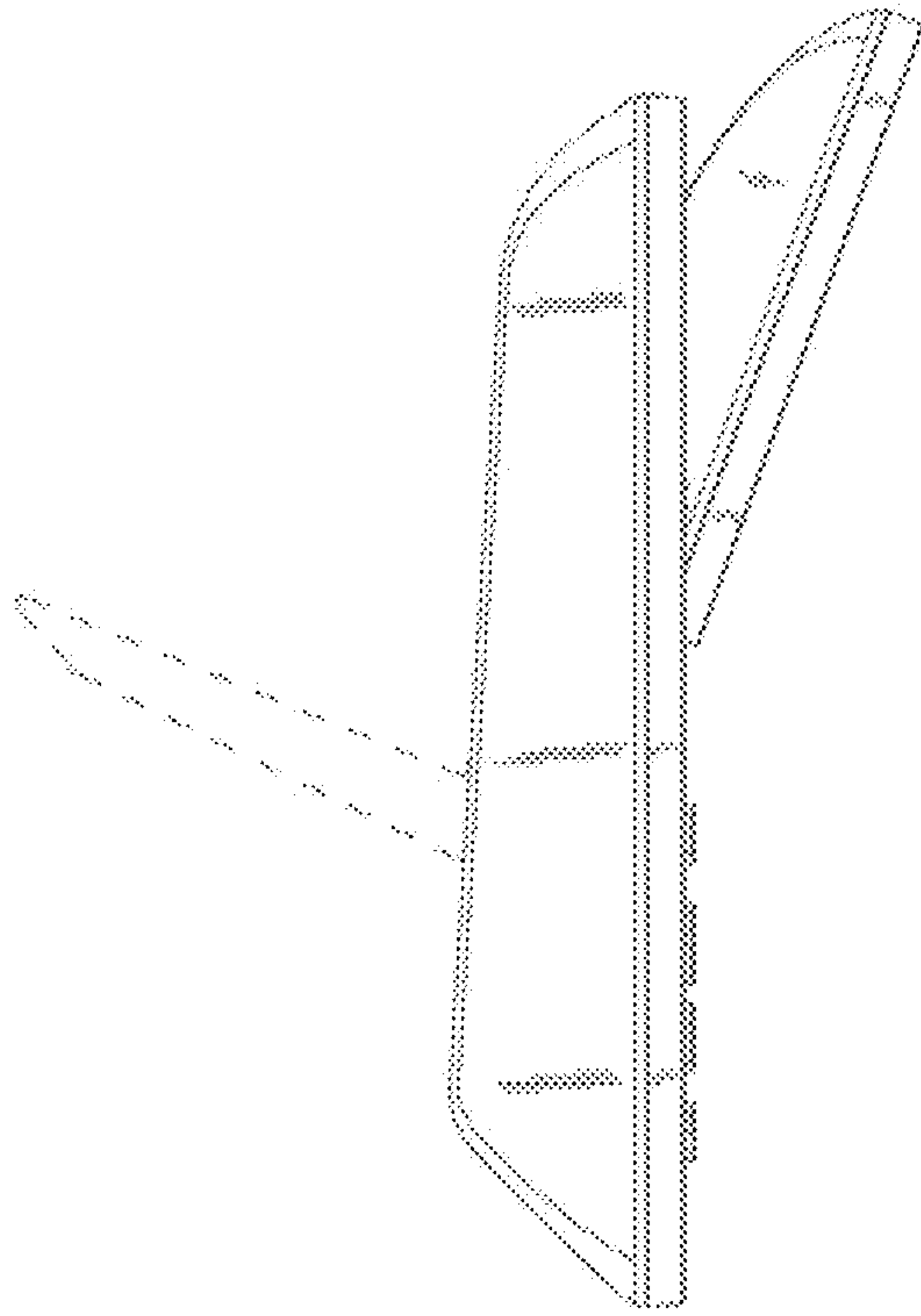


FIG. 11

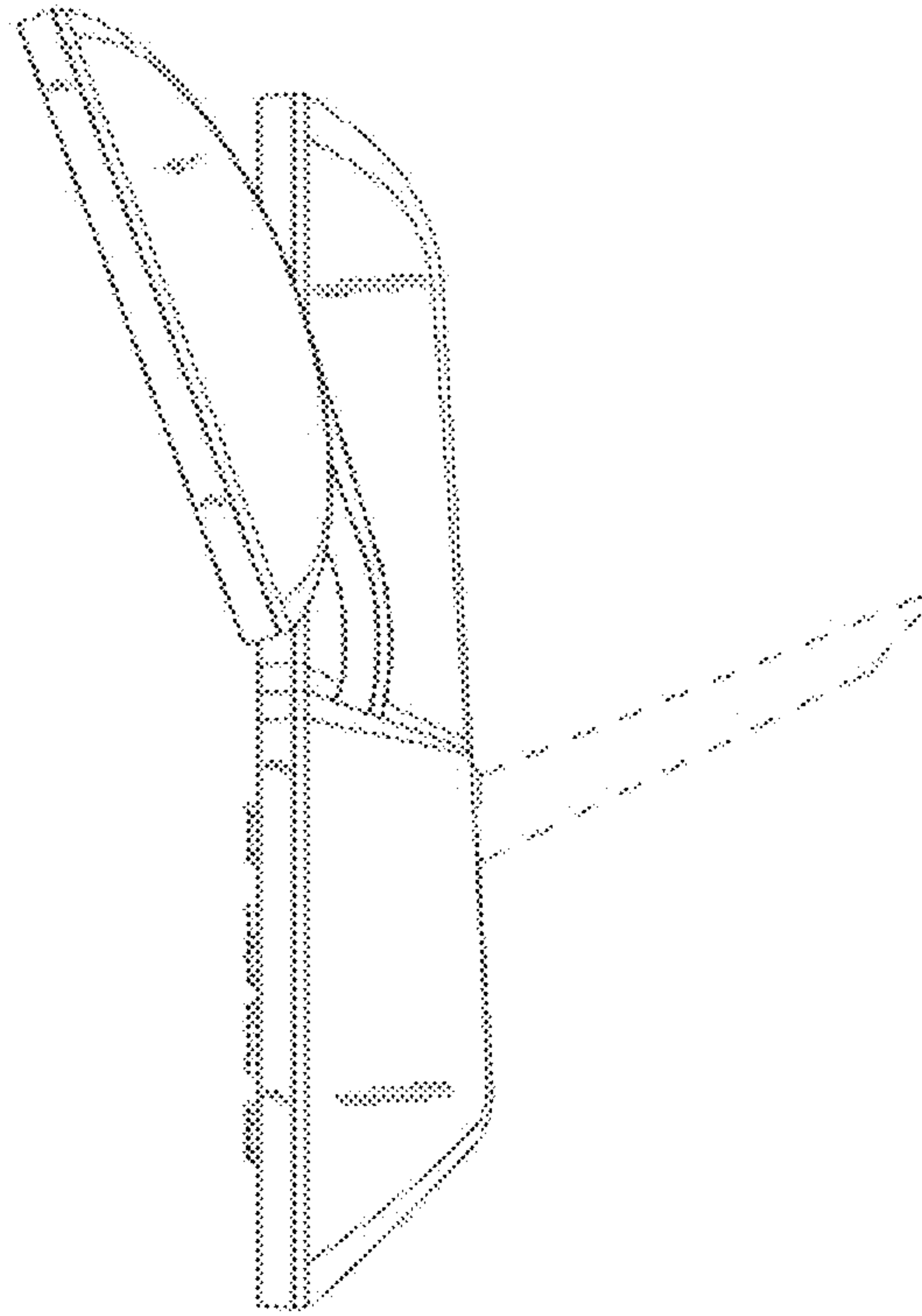


FIG. 12

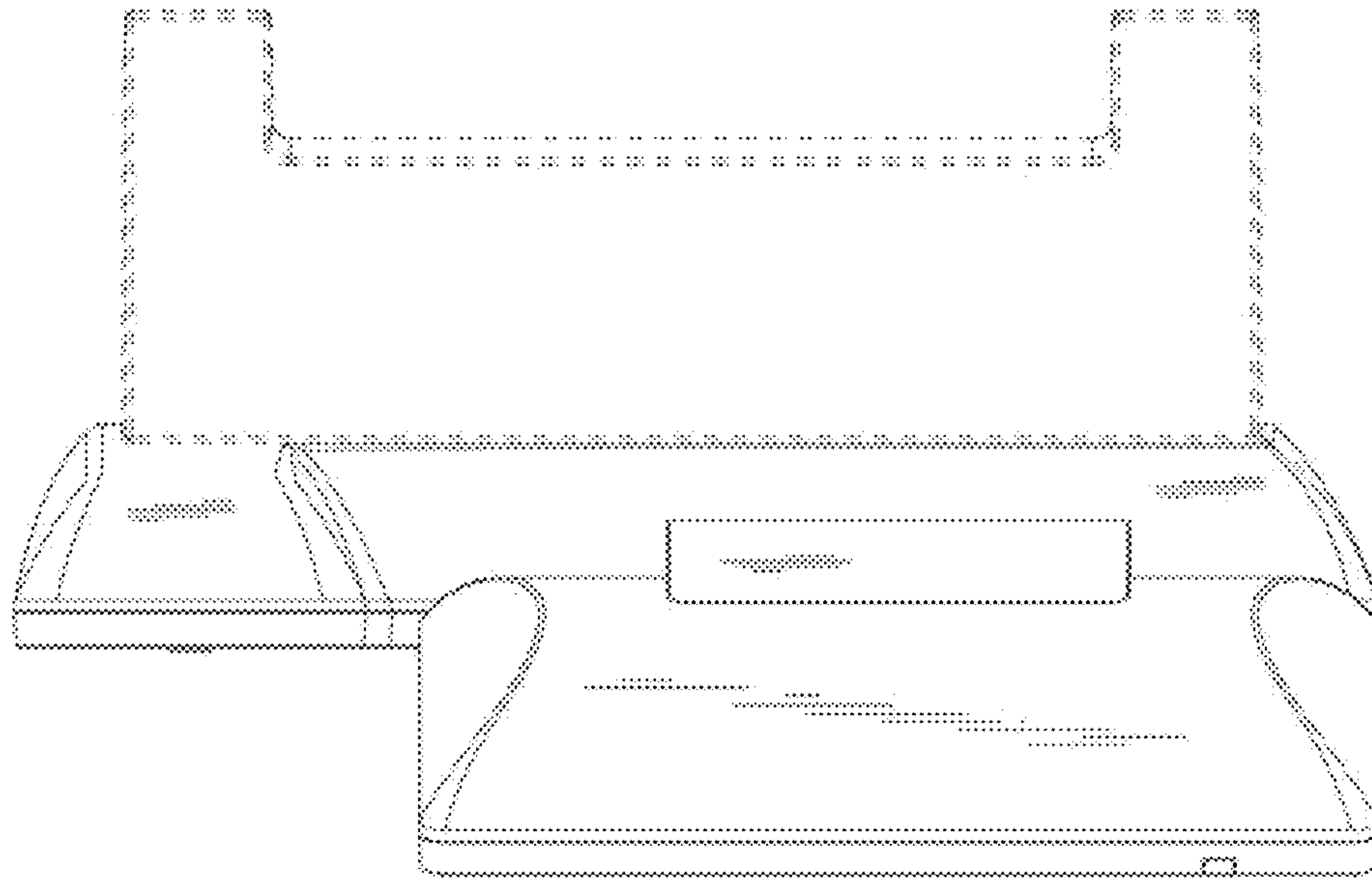


FIG. 13

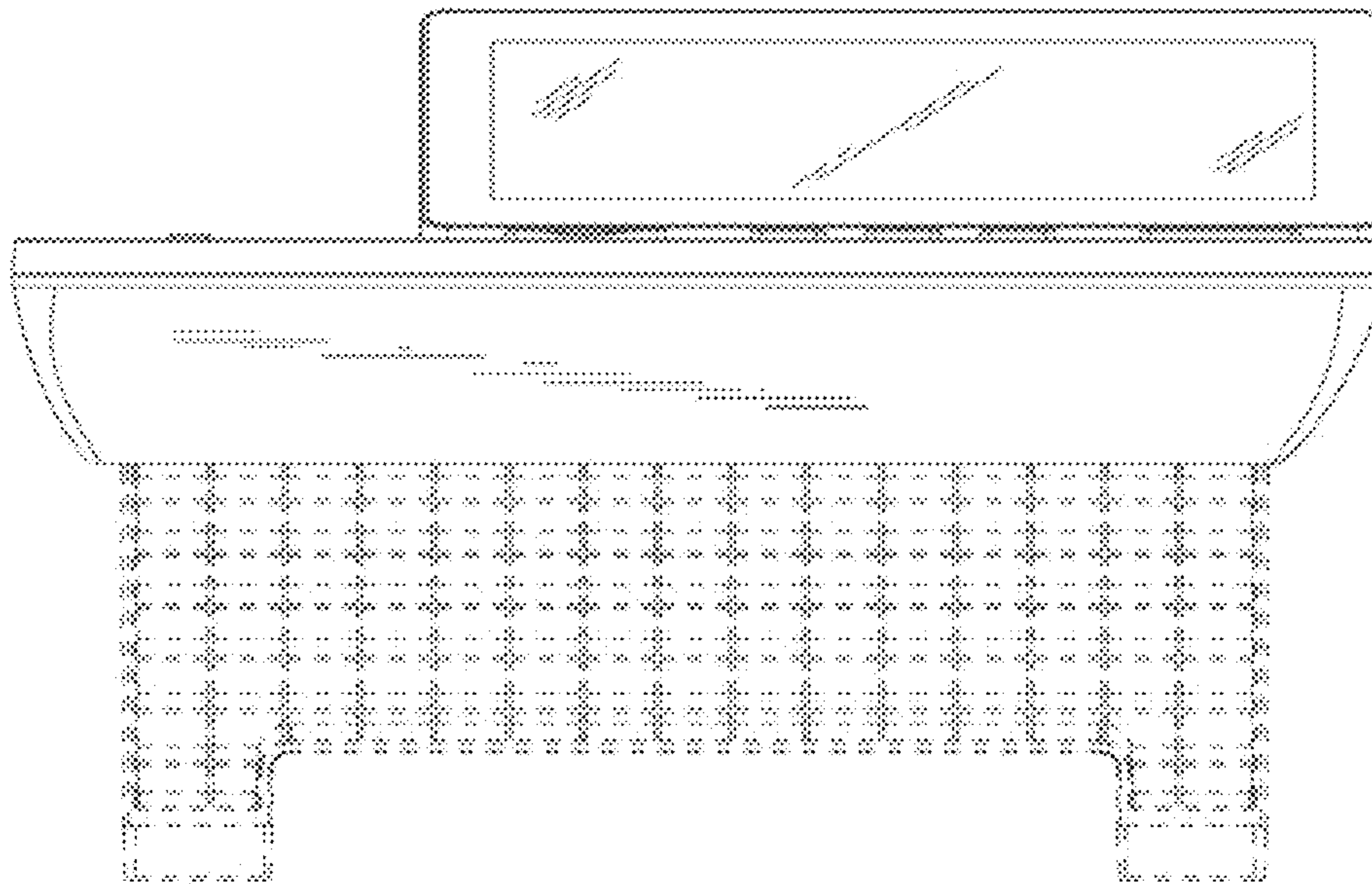


FIG. 14

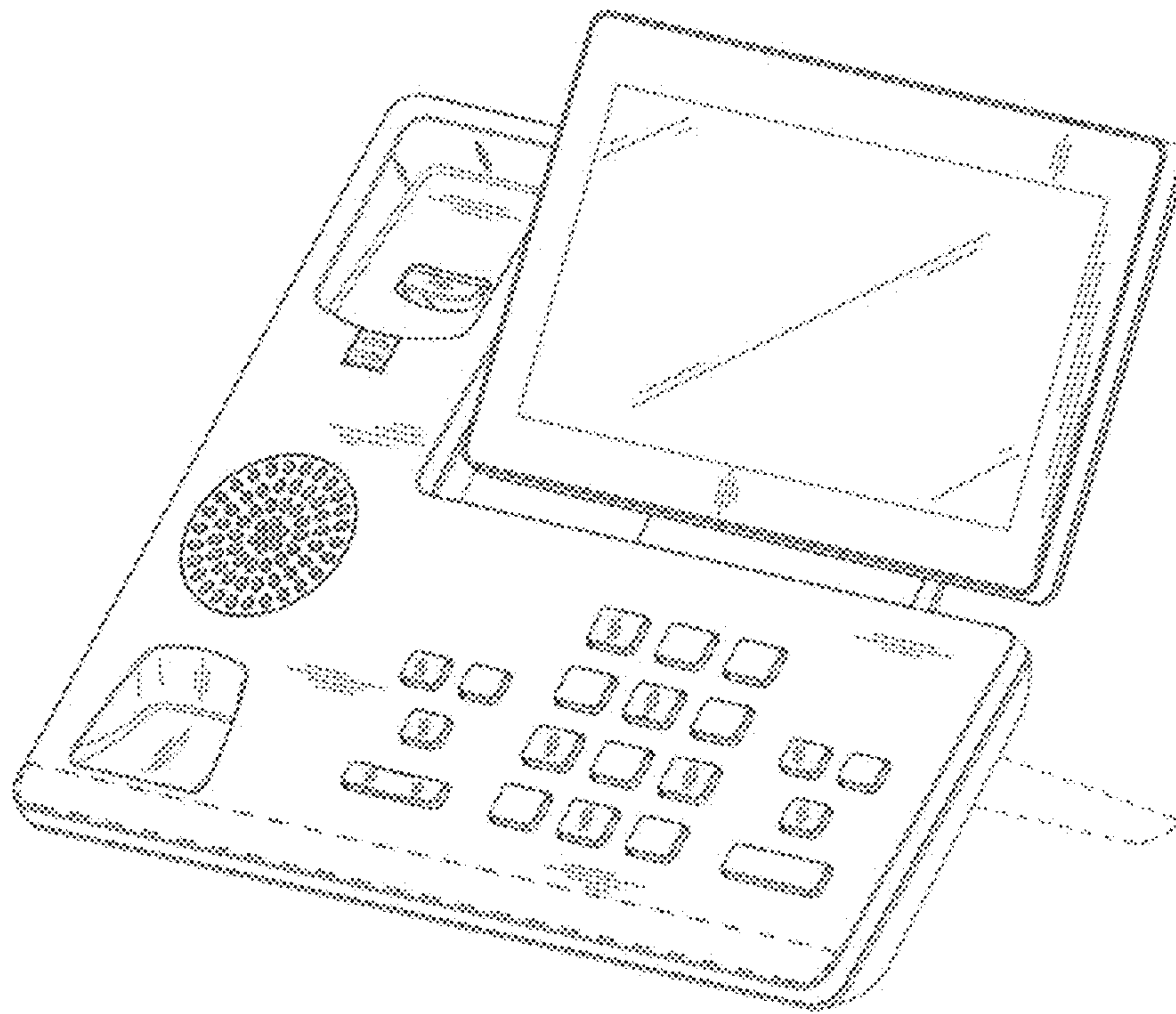


FIG.15

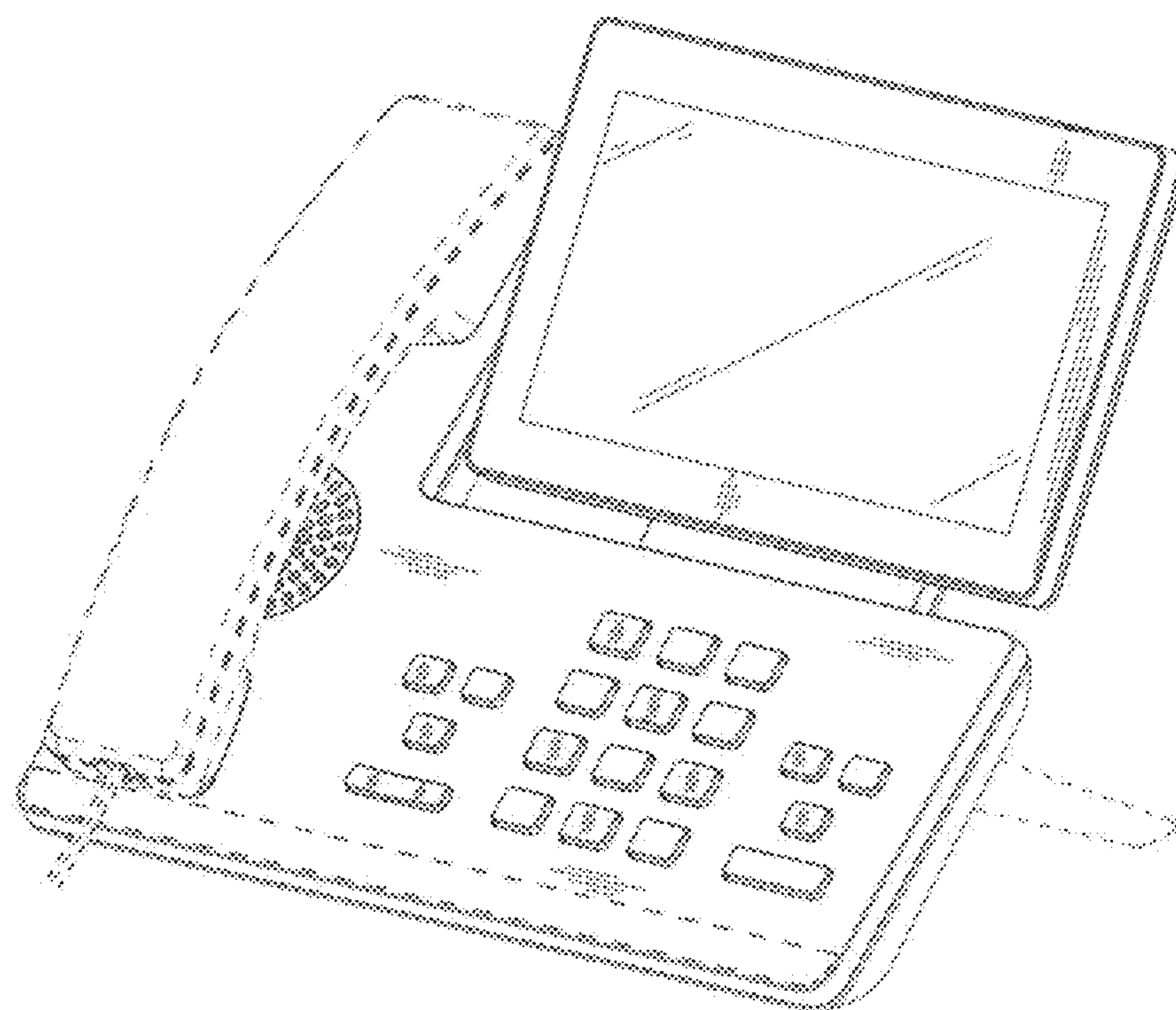


FIG. 16

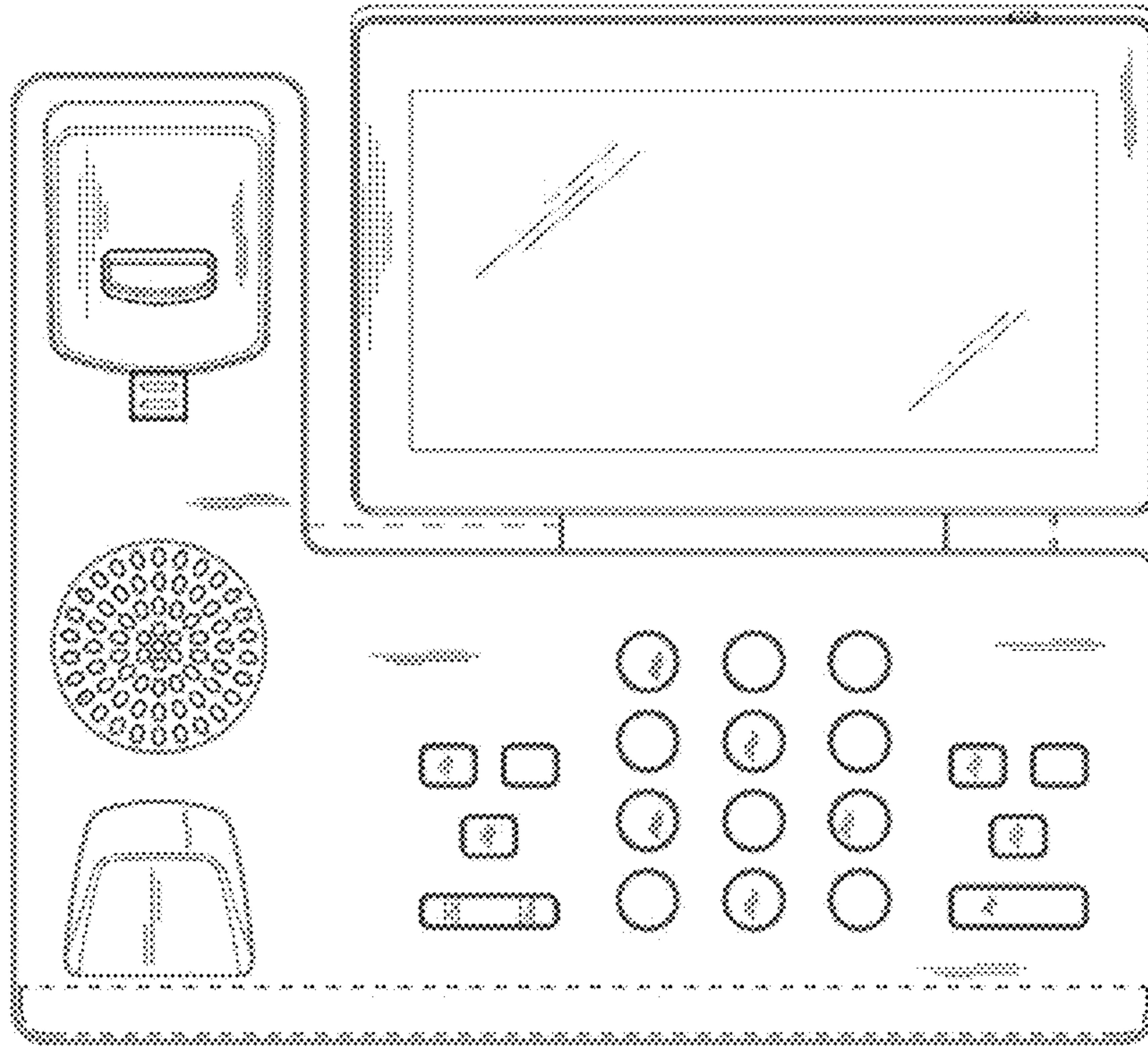


FIG. 17

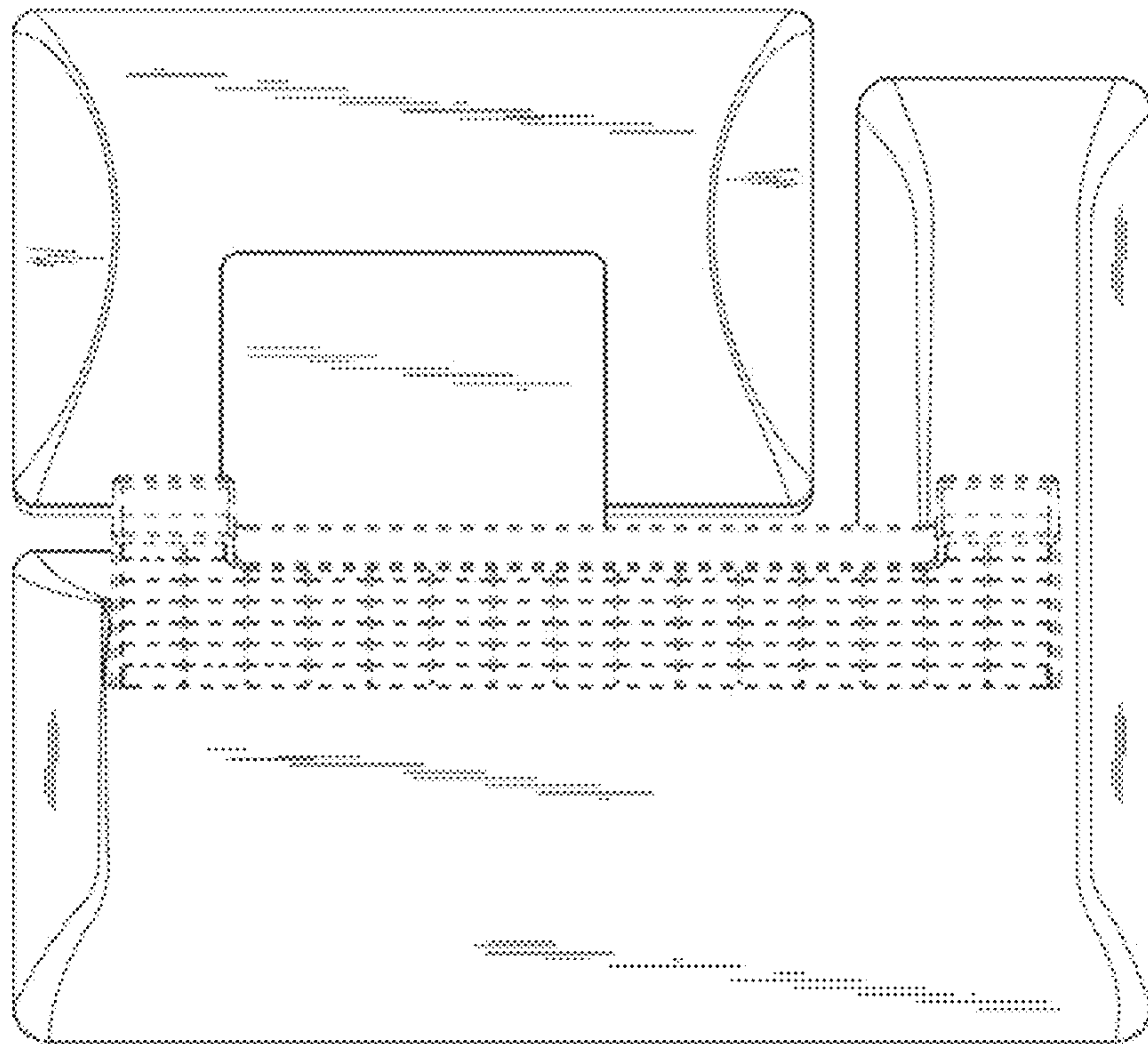


FIG. 18

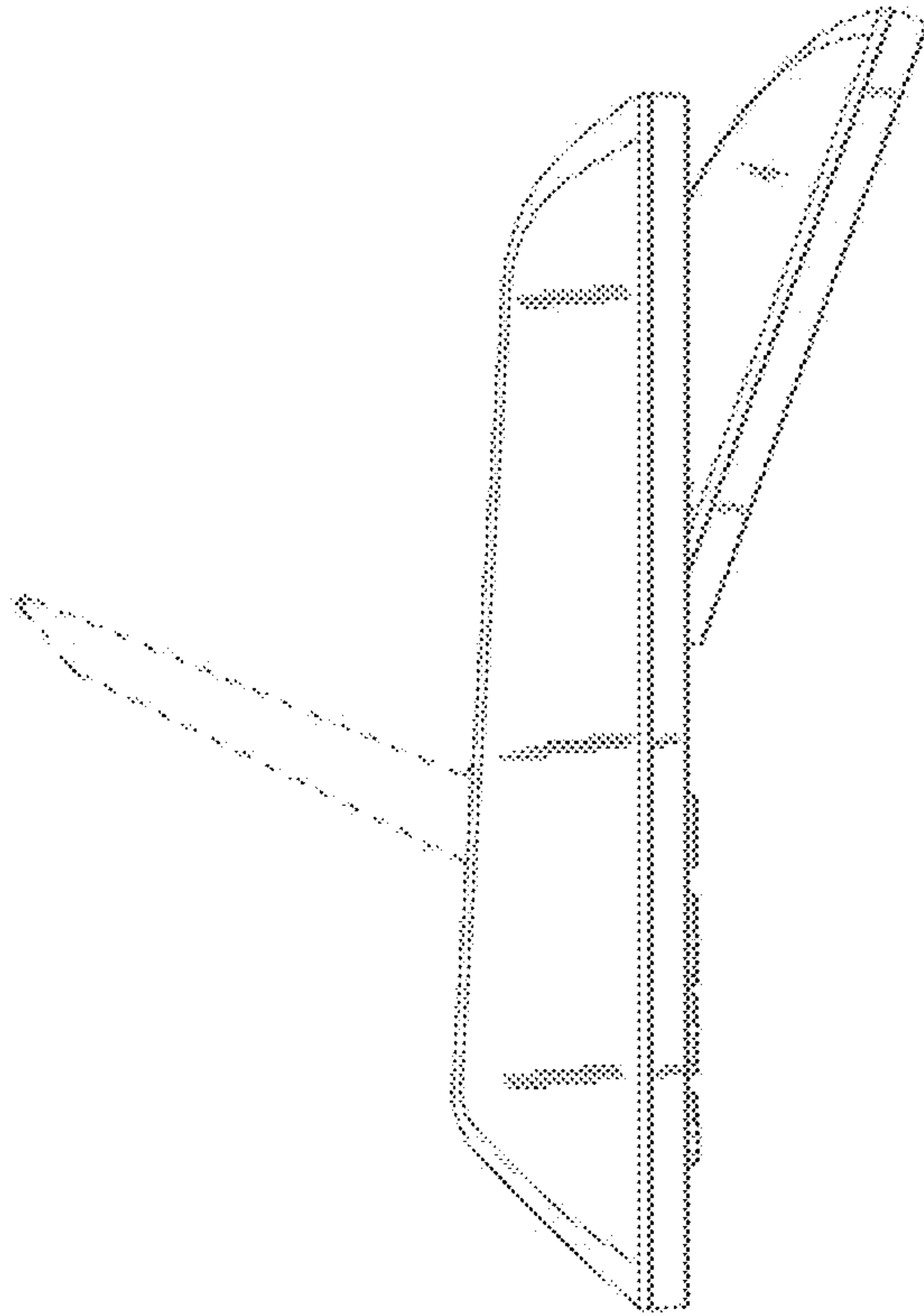


FIG. 19

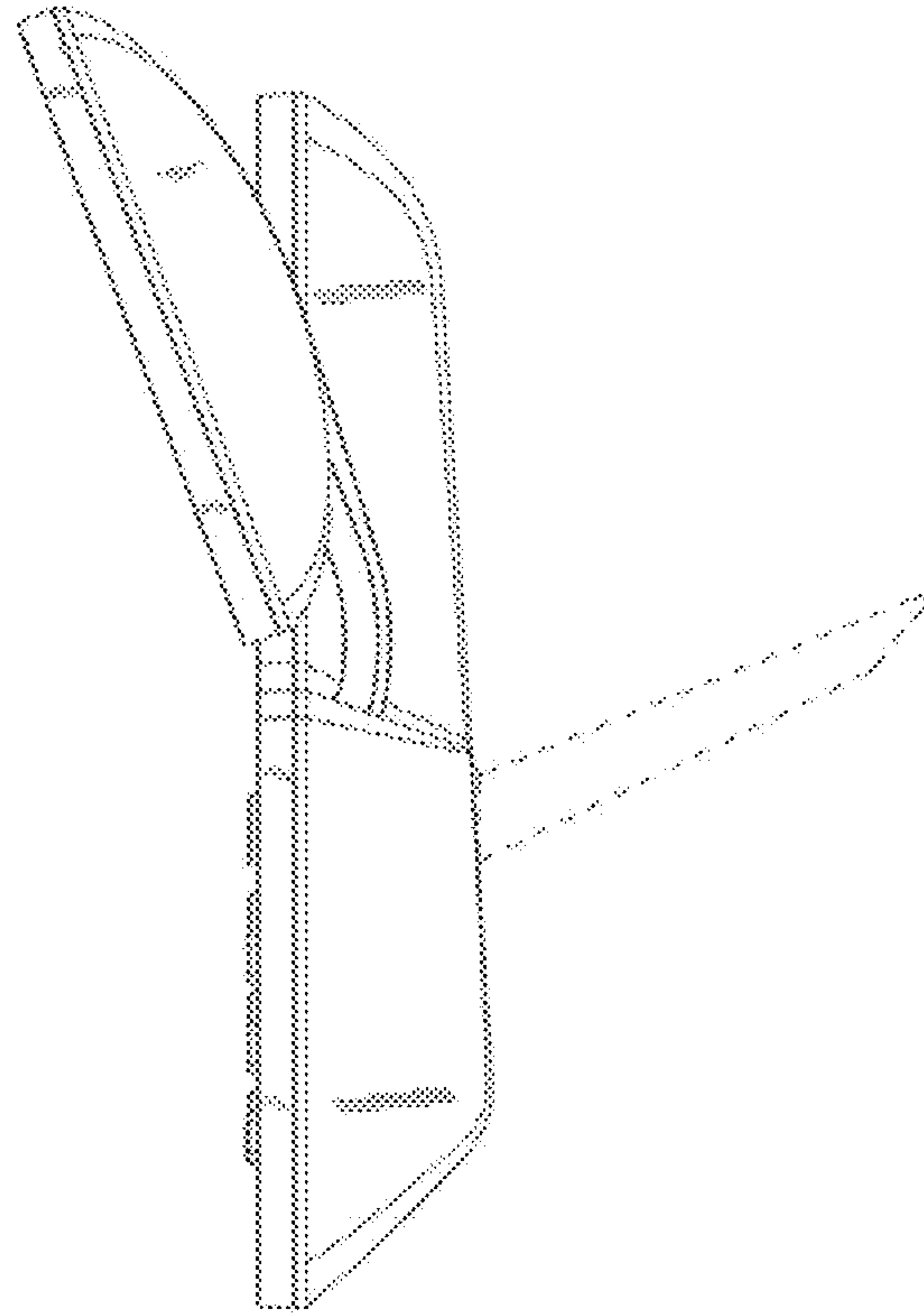


FIG.20

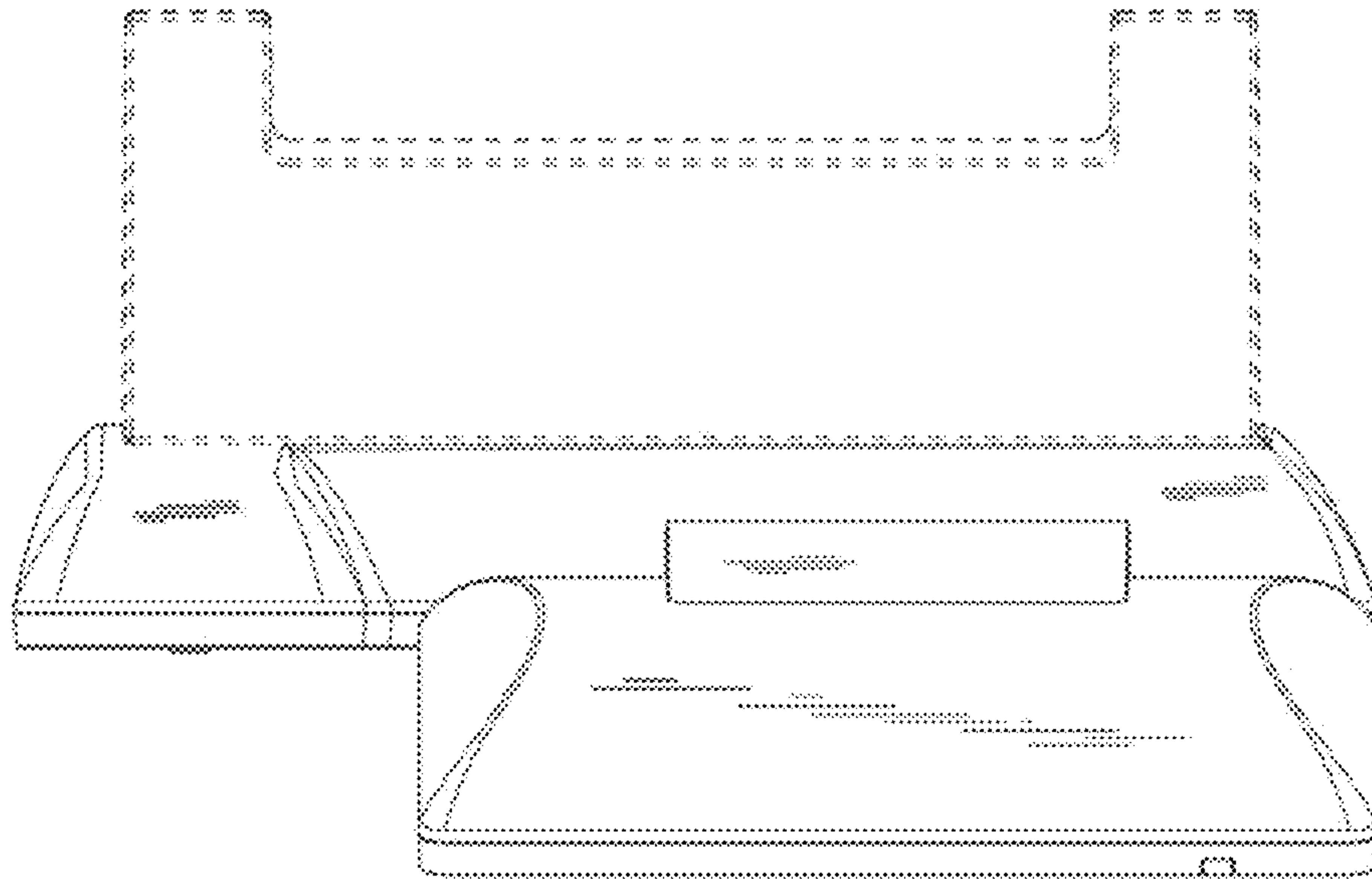


FIG.21

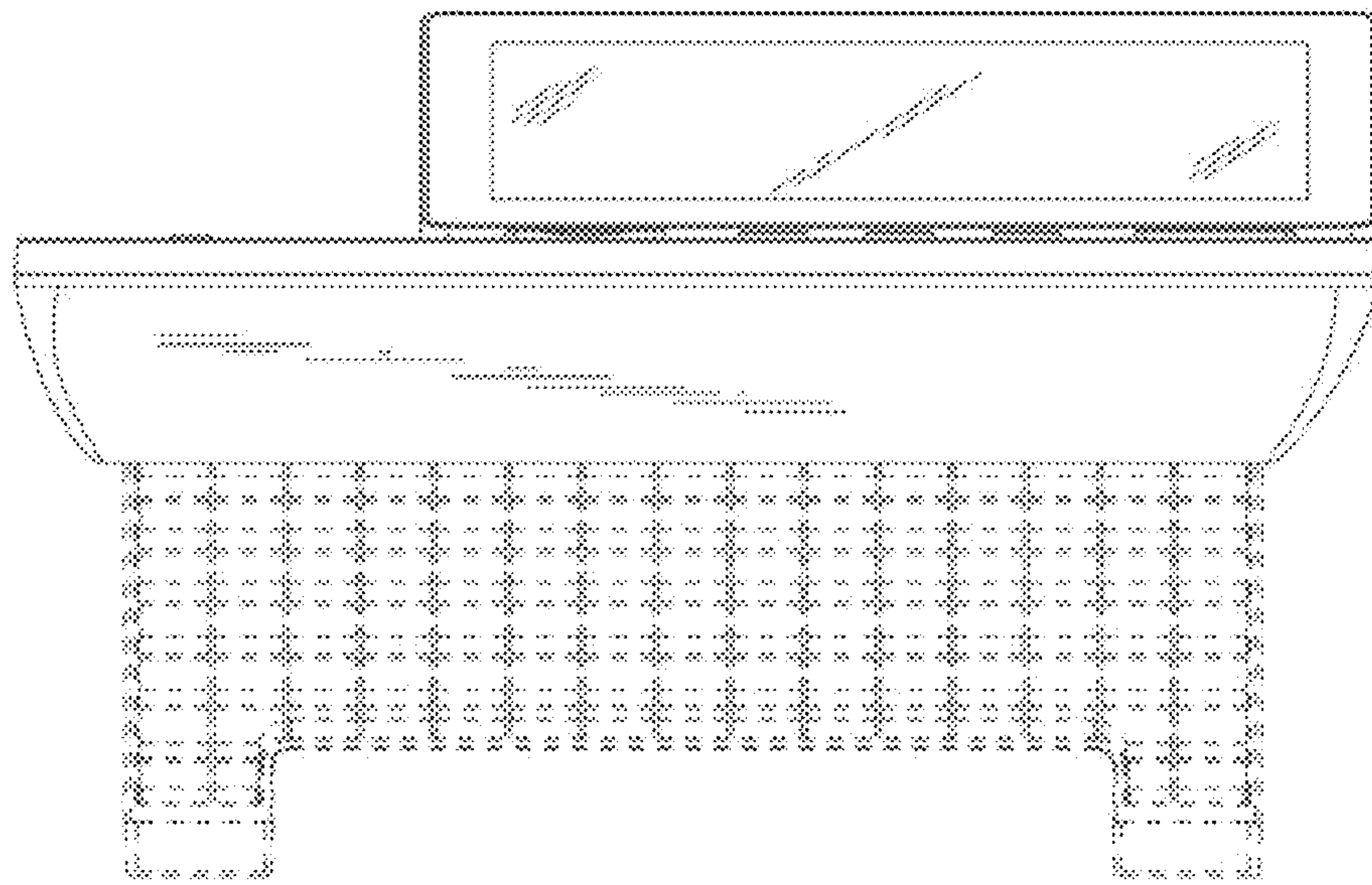


FIG.22

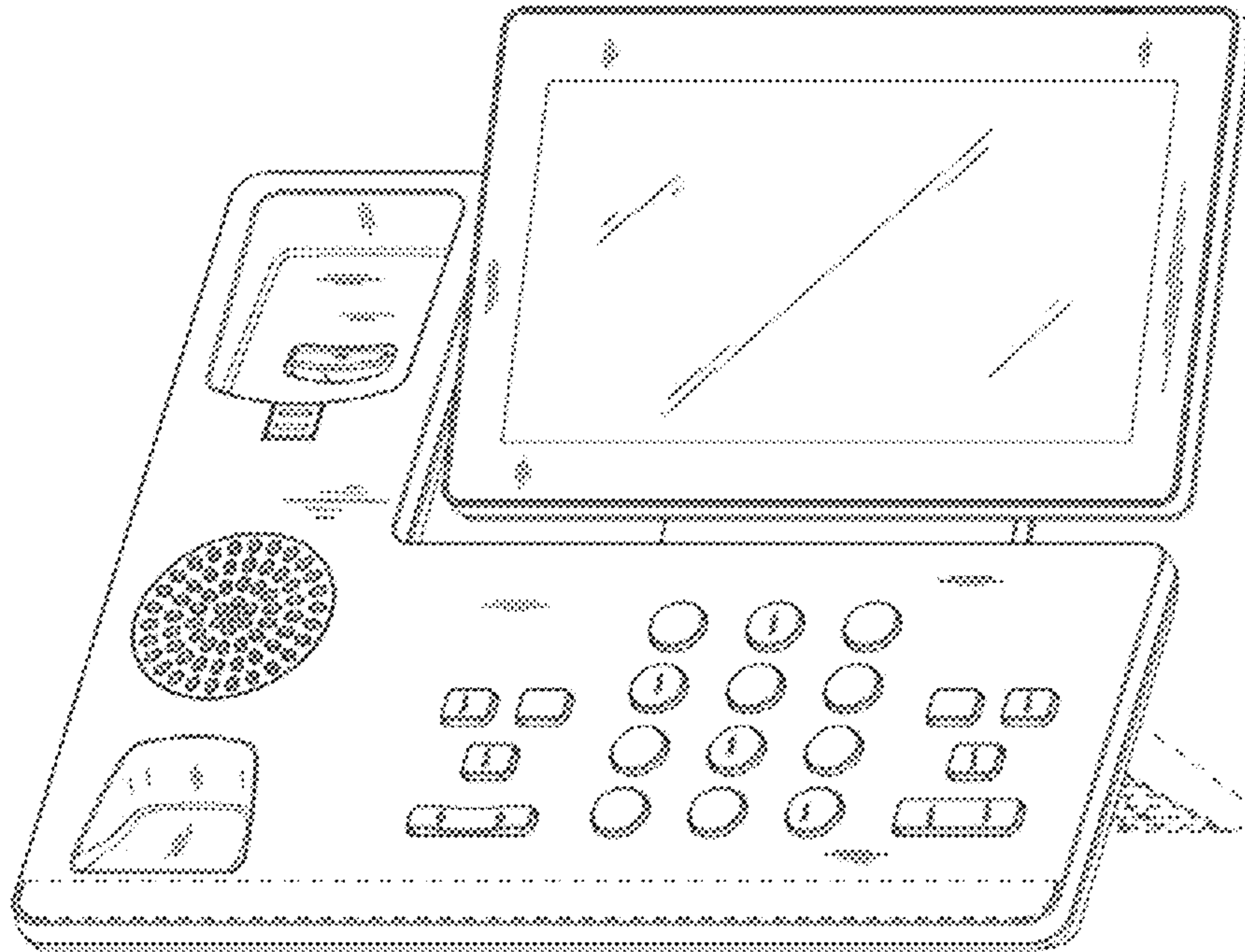


FIG.23

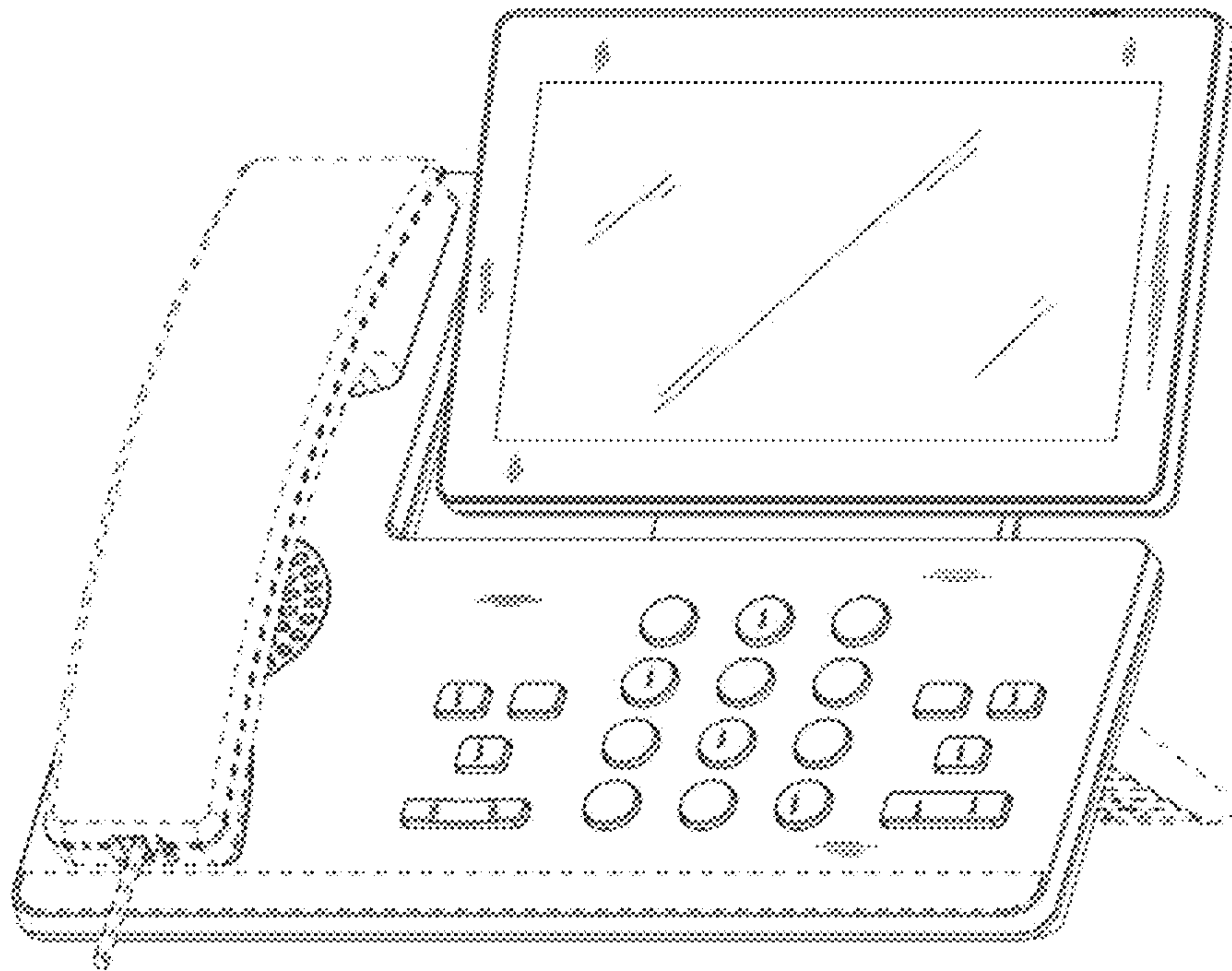


FIG.24