



US00D829681S

(12) **United States Design Patent** (10) **Patent No.:** **US D829,681 S**  
**Han et al.** (45) **Date of Patent:** **\*\* Oct. 2, 2018**

(54) **MOBILE PHONE**

(71) Applicant: **LG ELECTRONICS INC.**, Seoul (KR)

(72) Inventors: **Jongbeom Han**, Seoul (KR); **Haklim Lee**, Seoul (KR)

(73) Assignee: **LG ELECTRONICS INC.**, Seoul (KR)

(\*\*) Term: **15 Years**

(21) Appl. No.: **35/503,336**

(22) Filed: **Jan. 11, 2017**

(80) **Hague Agreement Data**

Int. Filing Date: **Jan. 11, 2017**

Int. Reg. No.: **DM/094401**

Int. Reg. Date: **Jan. 11, 2017**

Int. Reg. Pub. Date: **Jul. 14, 2017**

(30) **Foreign Application Priority Data**

Jul. 11, 2016 (KR) ..... 30-2016-0033673

(51) **LOC (11) Cl.** ..... **14-03**

(52) **U.S. Cl.**  
USPC ..... **D14/138 AB**

(58) **Field of Classification Search**  
USPC ..... D14/138 AA, 138 AB, 138 AC, 138 AD,  
D14/138 C, 138 G, 138 R, 248, 315-318,  
(Continued)

(56) **References Cited**

**U.S. PATENT DOCUMENTS**

7,408,698 B2 \* 8/2008 Kuo ..... G06F 1/1601  
204/450

D588,126 S \* 3/2009 Chiang ..... D14/345  
(Continued)

*Primary Examiner* — Richard E Chilcot

(74) *Attorney, Agent, or Firm* — Birch, Stewart, Kolasch & Birch, LLP

(57) **CLAIM**

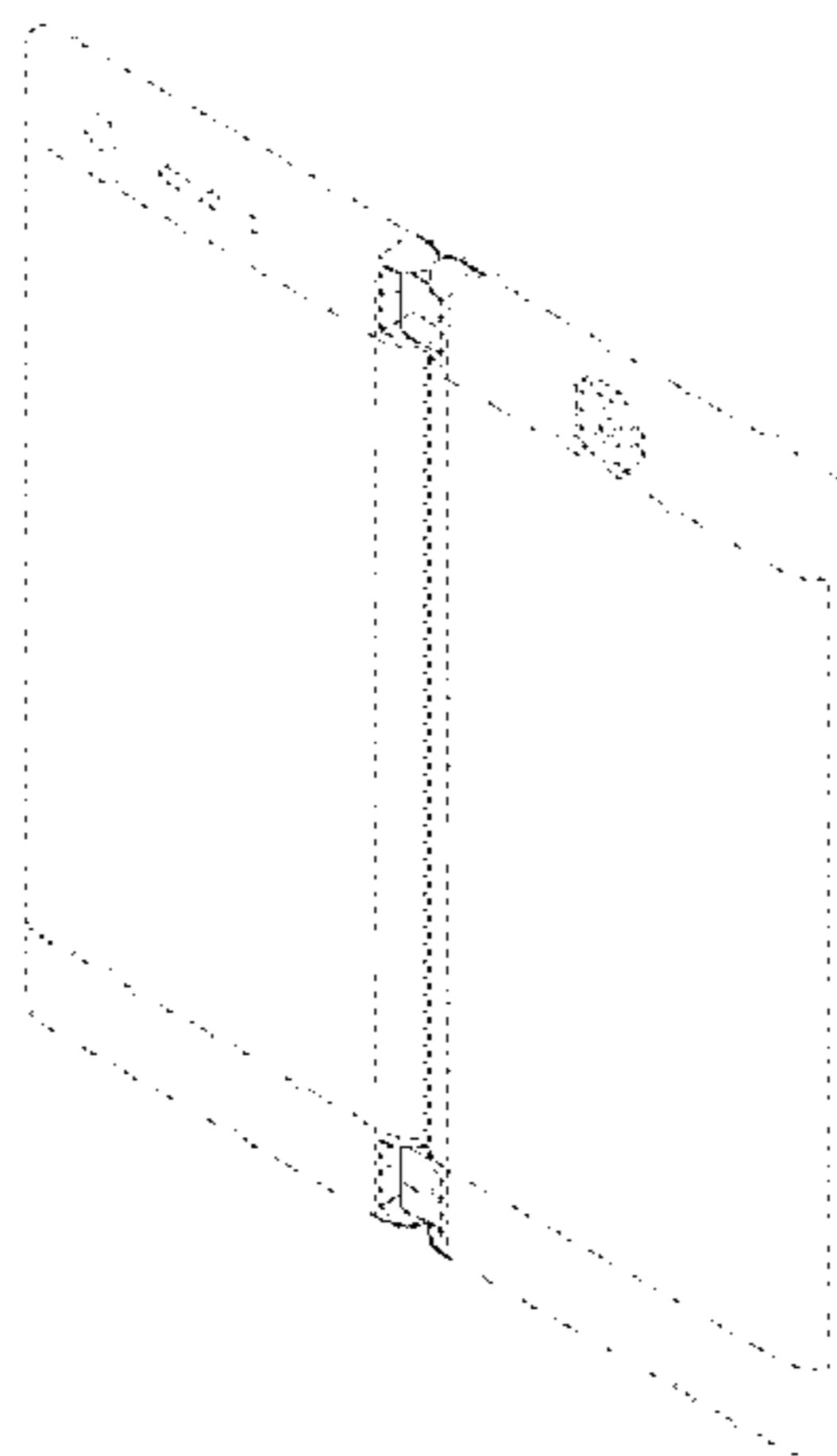
The ornamental design for a mobile phone, as shown and described.

**DESCRIPTION**

- 1. Mobile phone
- 1.1 : Perspective
- 1.2 : Front
- 1.3 : Back
- 1.4 : Left
- 1.5 : Top
- 1.6 : Back perspective
- 1.7 : Perspective view 2
- 1.8 : Front view 2
- 1.9 : Back view 2
- 1.10 : Left view 2
- 1.11 : Right view 2
- 1.12 : Top view 2
- 1.13 : Back perspective view 2
- 1.14 : Perspective view 3
- 1.15 : Front view 3
- 1.16 : Back view 3
- 1.17 : Left view 3
- 1.18 : Right view 3
- 1.19 : Top view 3
- 1.20 : Back perspective view 3

The broken lines depict portions of the mobile phone that form no part of the claimed design; the dash-dot broken lines define the boundary of the claimed design and form no part thereof; the reproduction 1.1 is a front perspective view of the mobile phone; the reproduction 1.2 is a front view thereof; the reproduction 1.3 is a back view thereof; the reproduction 1.4 is a left view thereof where the right view is a mirror image; the reproduction 1.5 is a top view thereof where the bottom view is a mirror image; the reproduction 1.6 is a back perspective view thereof; the reproduction 1.7 is a front perspective view in a condition that the subject design has been folded inwards; the reproduction 1.8 is a front view of the reproduction 1.7; the reproduction 1.9 is a back view of the reproduction 1.7; the reproduction 1.10 is

(Continued)



a left view of the reproduction 1.7; the reproduction 1.11 is a right view of the reproduction 1.7; the reproduction 1.12 is a top view of the reproduction 1.7 where the bottom view is a mirror image; the reproduction 1.13 is a back perspective view of the reproduction 1.7; the reproduction 1.14 is a front perspective view in a condition that the subject design has been folded outwards; the reproduction 1.15 is a front view of the reproduction 1.14; the reproduction 1.16 is a back view of the reproduction 1.14; the reproduction 1.17 is a left view of the reproduction 1.14; the reproduction 1.18 is a right view of the reproduction 1.14; the reproduction 1.19 is a top view of the reproduction 1.14 where the bottom view is a mirror image; the reproduction 1.20 is a back perspective view of the reproduction 1.14.

**1 Claim, 20 Drawing Sheets**

- (52) **U.S. Cl.**  
CPC ..... **G06F 1/1616** (2013.01)
- (58) **Field of Classification Search**  
USPC ..... D14/341, 342, 345, 346, 203.1, 203.3,  
D14/203.7, 218, 250  
CPC .. G06F 1/1652; G06F 1/1616; H04M 1/0214;  
H04M 1/0218; H04M 1/0268; H04M  
1/027; H04M 1/0202; H04M 1/0279;  
H04M 1/0235; H04M 1/0237; H04M  
1/0239; H04M 1/0266; H04M 1/0295

See application file for complete search history.

(56)

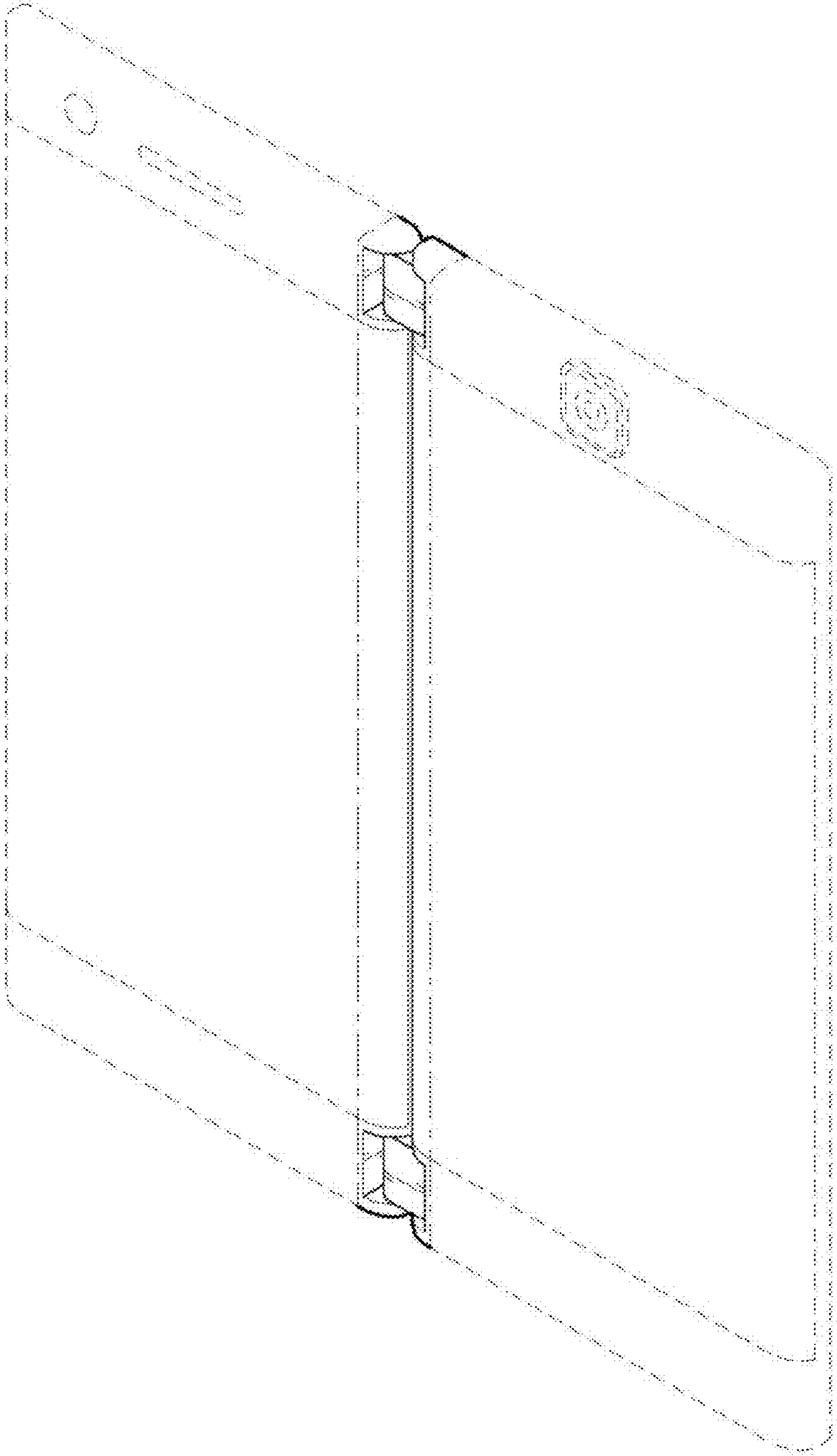
**References Cited**

U.S. PATENT DOCUMENTS

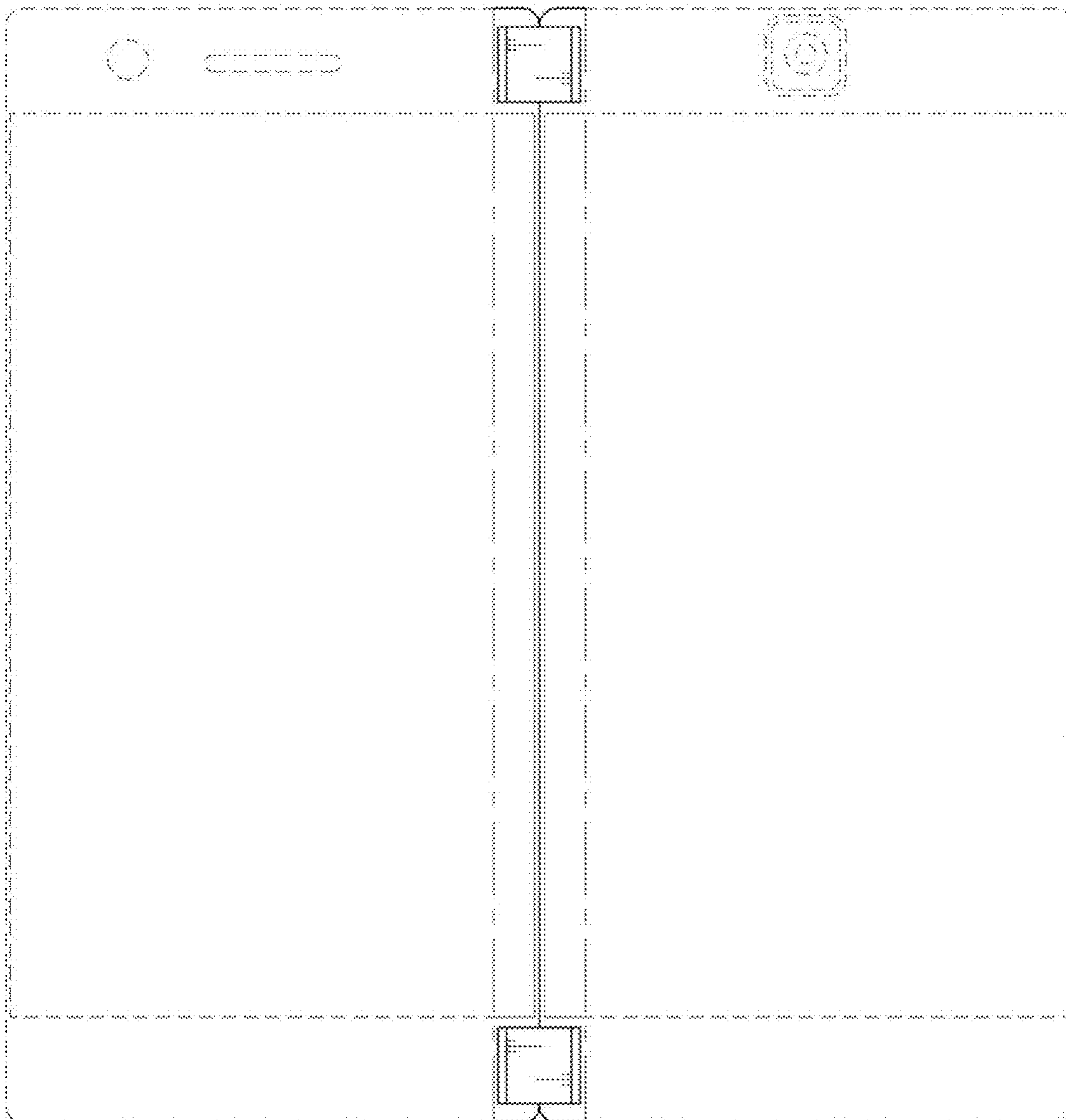
D681,000	S	*	4/2013	Koh	.....	D14/203.4
D681,054	S	*	4/2013	Koh	.....	D14/496
D689,054	S	*	9/2013	Snyder	.....	D14/440
D693,323	S	*	11/2013	Kawase	.....	D14/138 AB
D716,253	S	*	10/2014	Lee	.....	D14/138 AB
D716,751	S	*	11/2014	Lee	.....	D14/138 AB
D716,800	S	*	11/2014	Lee	.....	D14/345
D742,873	S	*	11/2015	Ahn	.....	D14/341
D746,285	S	*	12/2015	Okabe	.....	D14/345
9,239,594	B2	*	1/2016	Lee	.....	G06F 1/1652
D749,573	S	*	2/2016	Park	.....	D14/203.4
D749,575	S	*	2/2016	Park	.....	D14/203.4
D749,576	S	*	2/2016	Park	.....	D14/203.4
D754,657	S	*	4/2016	Kim	.....	D14/345
D767,525	S	*	9/2016	Byun	.....	D14/138 AB
D767,526	S	*	9/2016	Lee	.....	D14/138 AB
D769,209	S	*	10/2016	Byun	.....	D14/138 AB
D778,866	S	*	2/2017	Lee	.....	D14/138 AB
D782,436	S	*	3/2017	Kwak	.....	D14/138 AB
D784,945	S	*	4/2017	Choo	.....	D14/138 AB
D786,210	S	*	5/2017	Lee	.....	D14/138 AB
D788,774	S	*	6/2017	Seo	.....	D14/345
D791,725	S	*	7/2017	Lee	.....	D14/138 AB
D791,726	S	*	7/2017	Lee	.....	D14/138 AB
D795,826	S	*	8/2017	Yoon	.....	D14/138 AB
D797,729	S	*	9/2017	Park	.....	D14/248
D798,257	S	*	9/2017	Choo	.....	D14/138 AB
D800,112	S	*	10/2017	Park	.....	D14/345
D815,055	S	*	4/2018	Seo	.....	D14/138 AB
2012/0044620	A1	*	2/2012	Song	.....	G06F 1/1616 361/679.01

\* cited by examiner

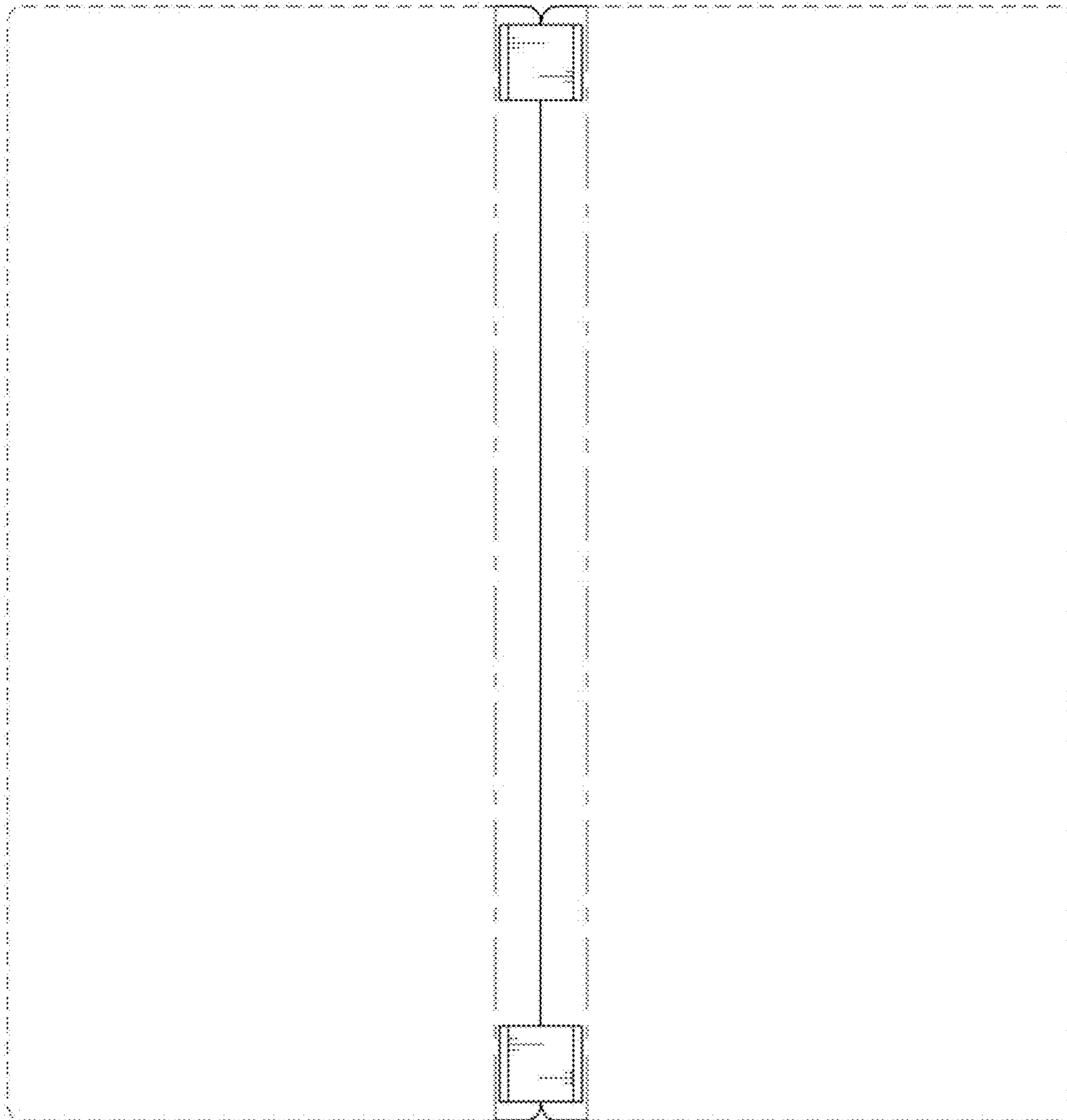
1.1



1.2

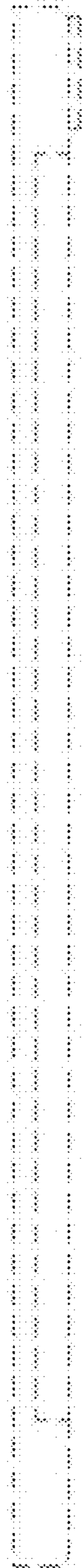


1.3





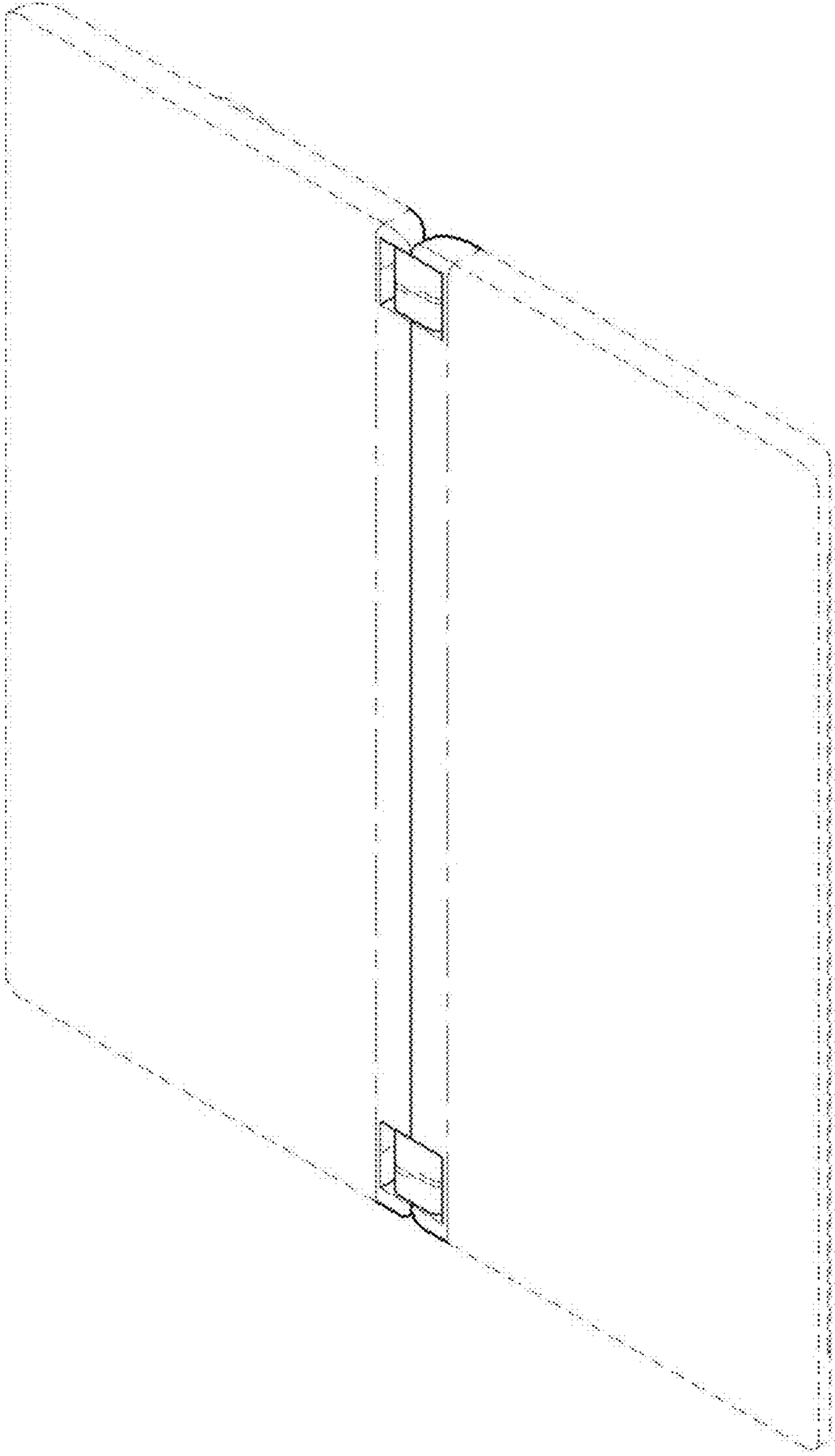
1.4



1.5

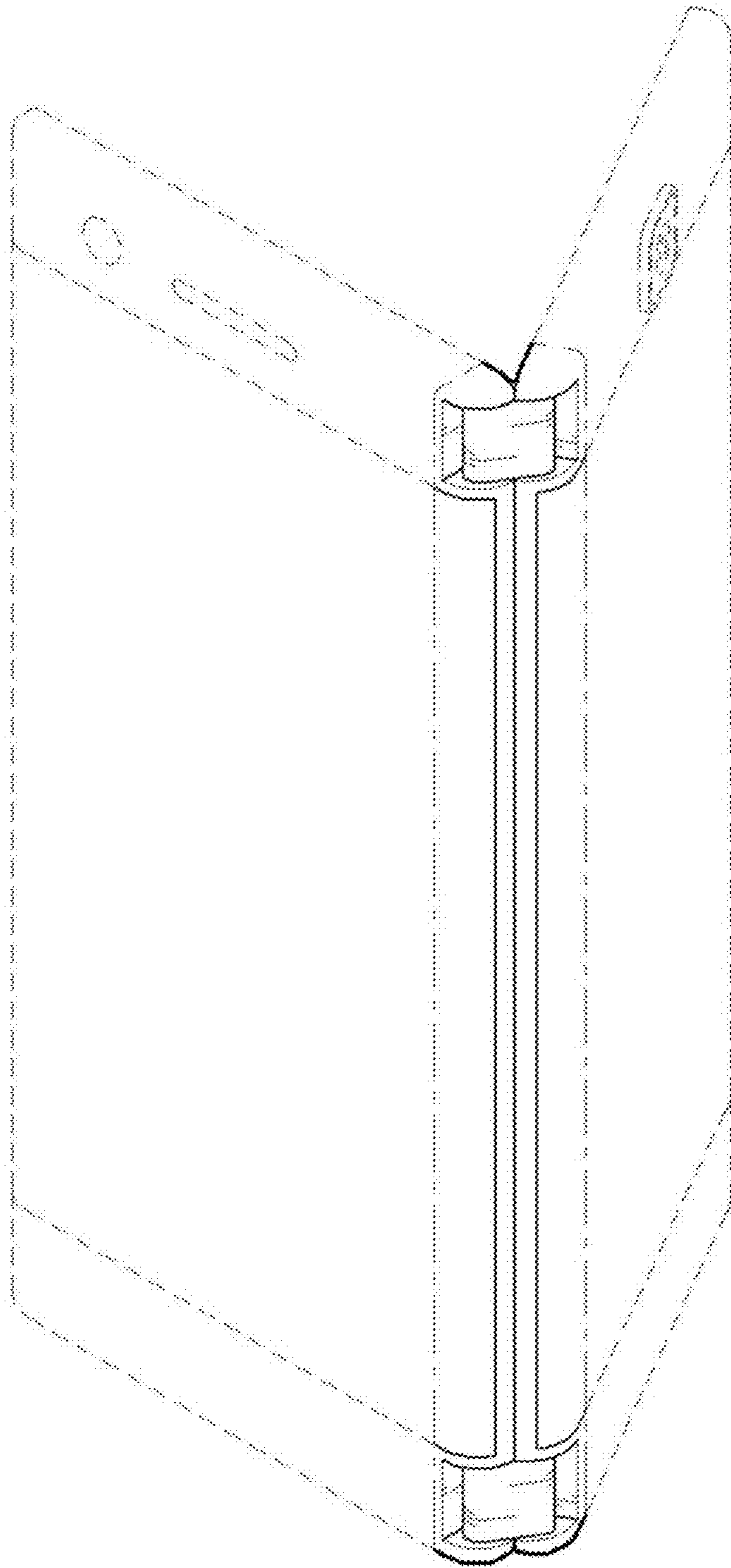


1.6

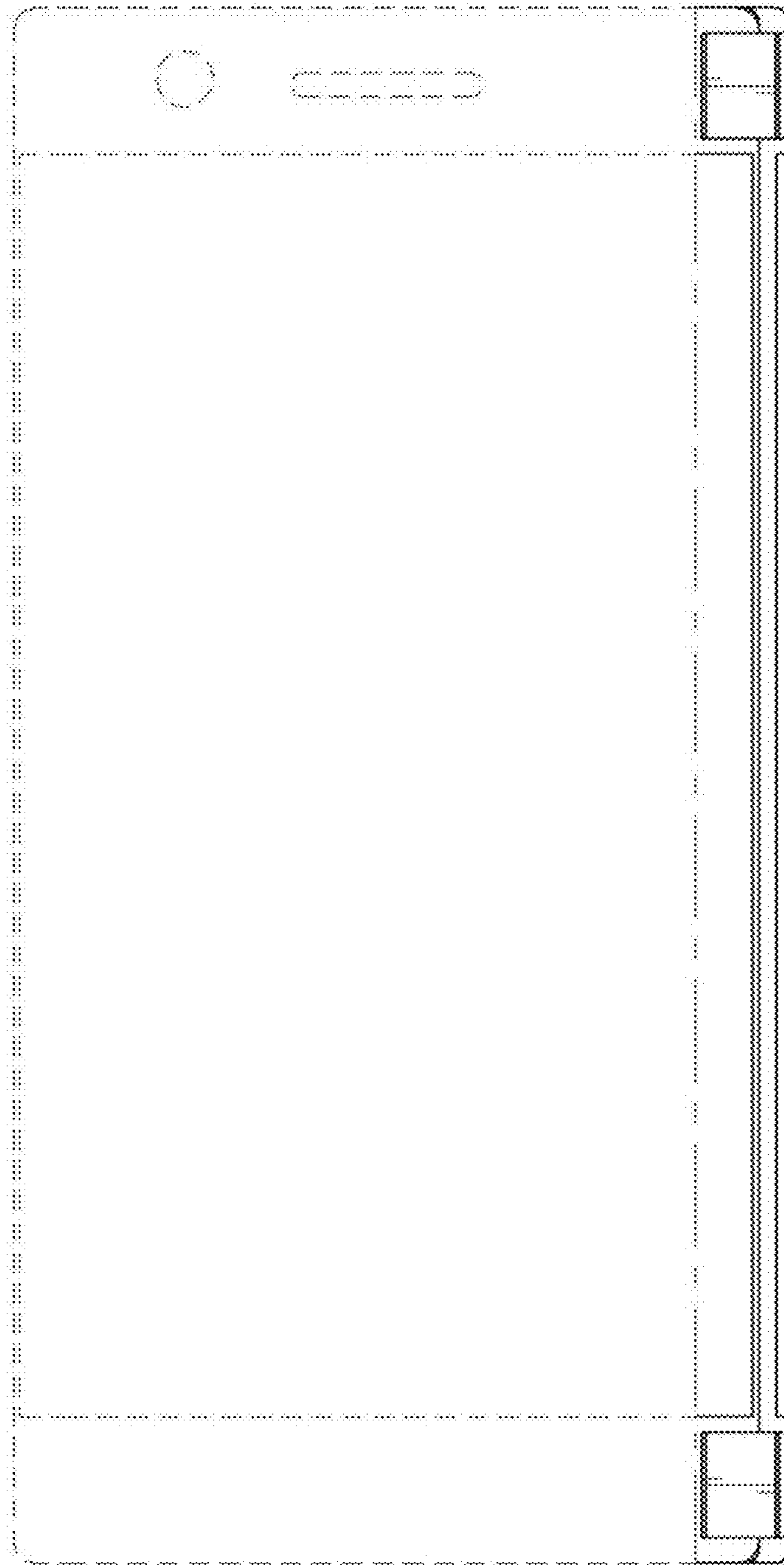




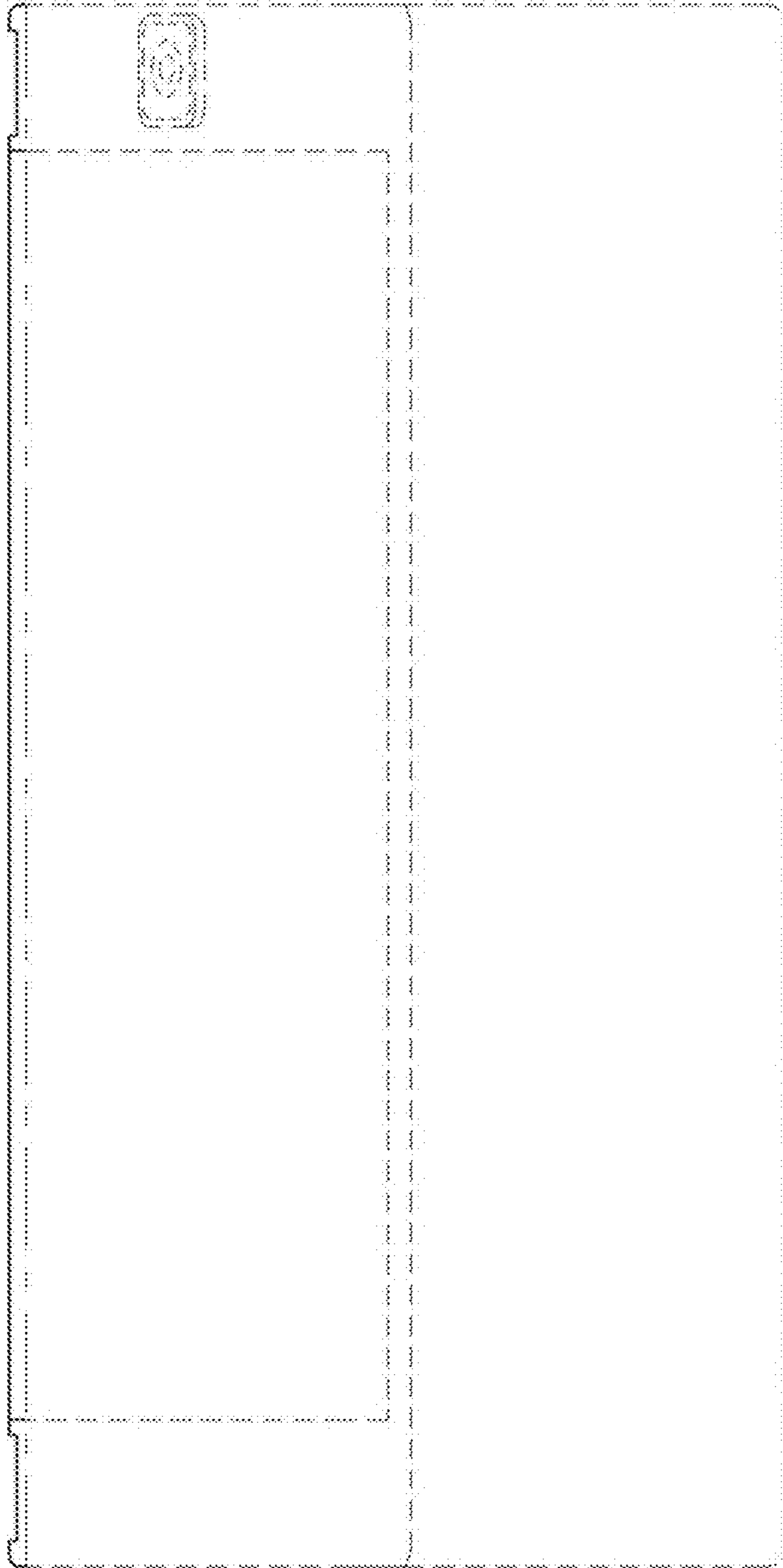
1.7



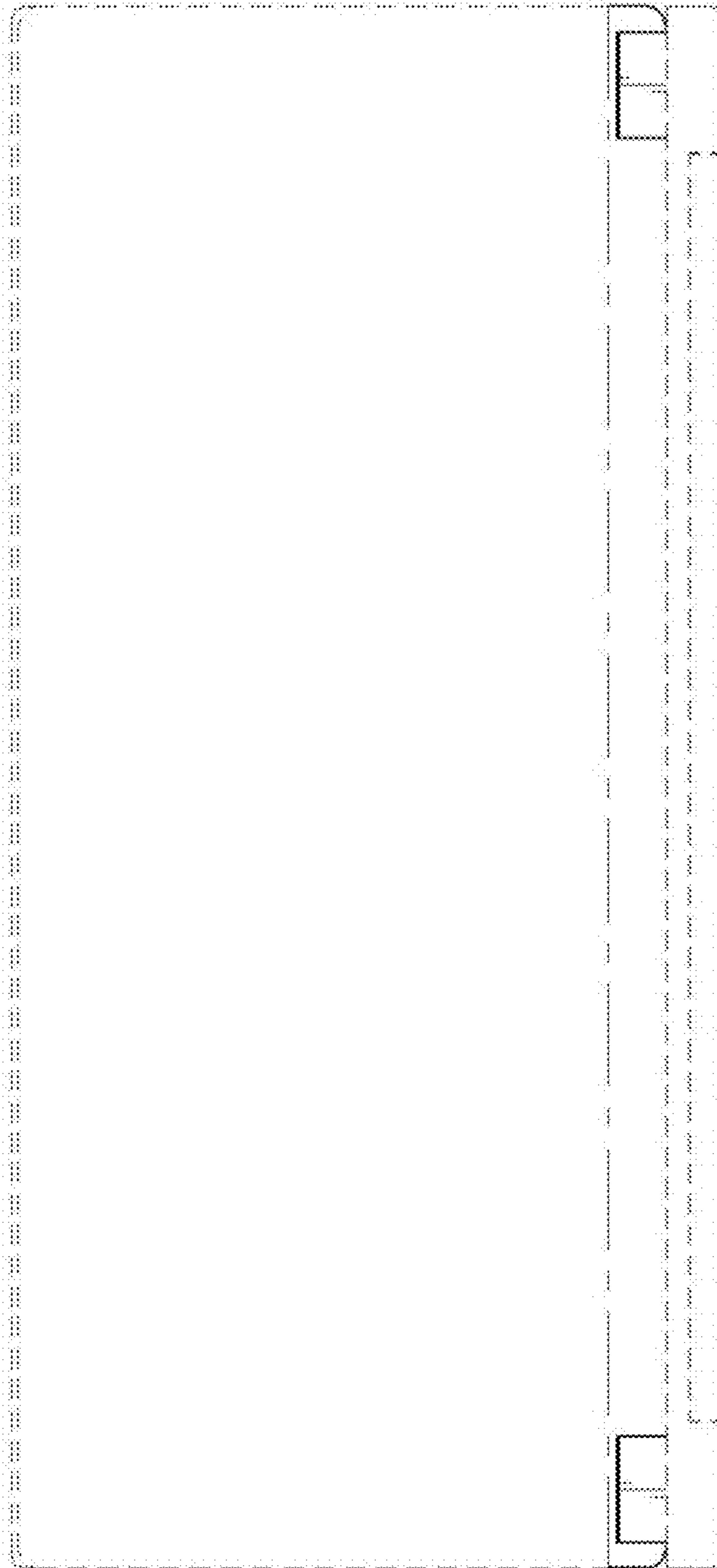
1.8



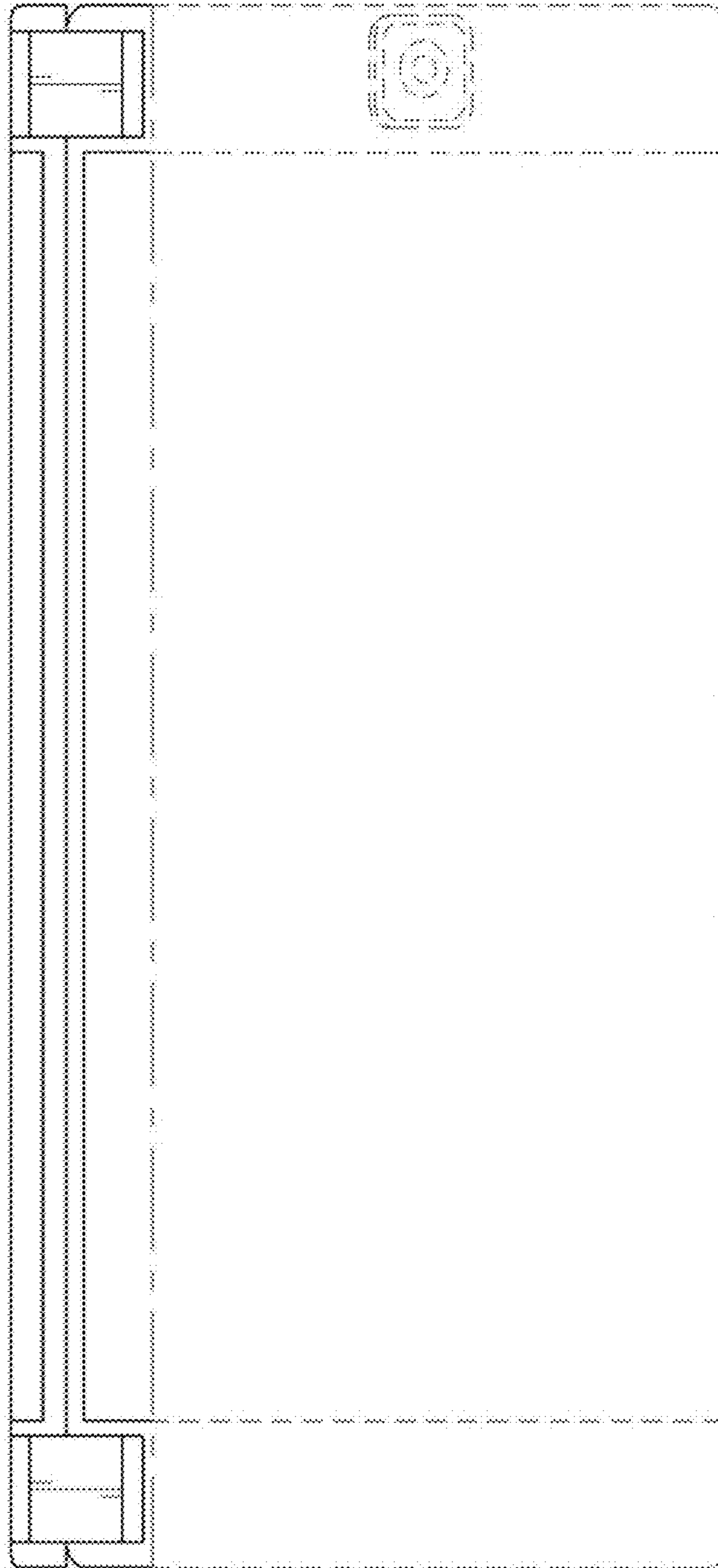
1.9



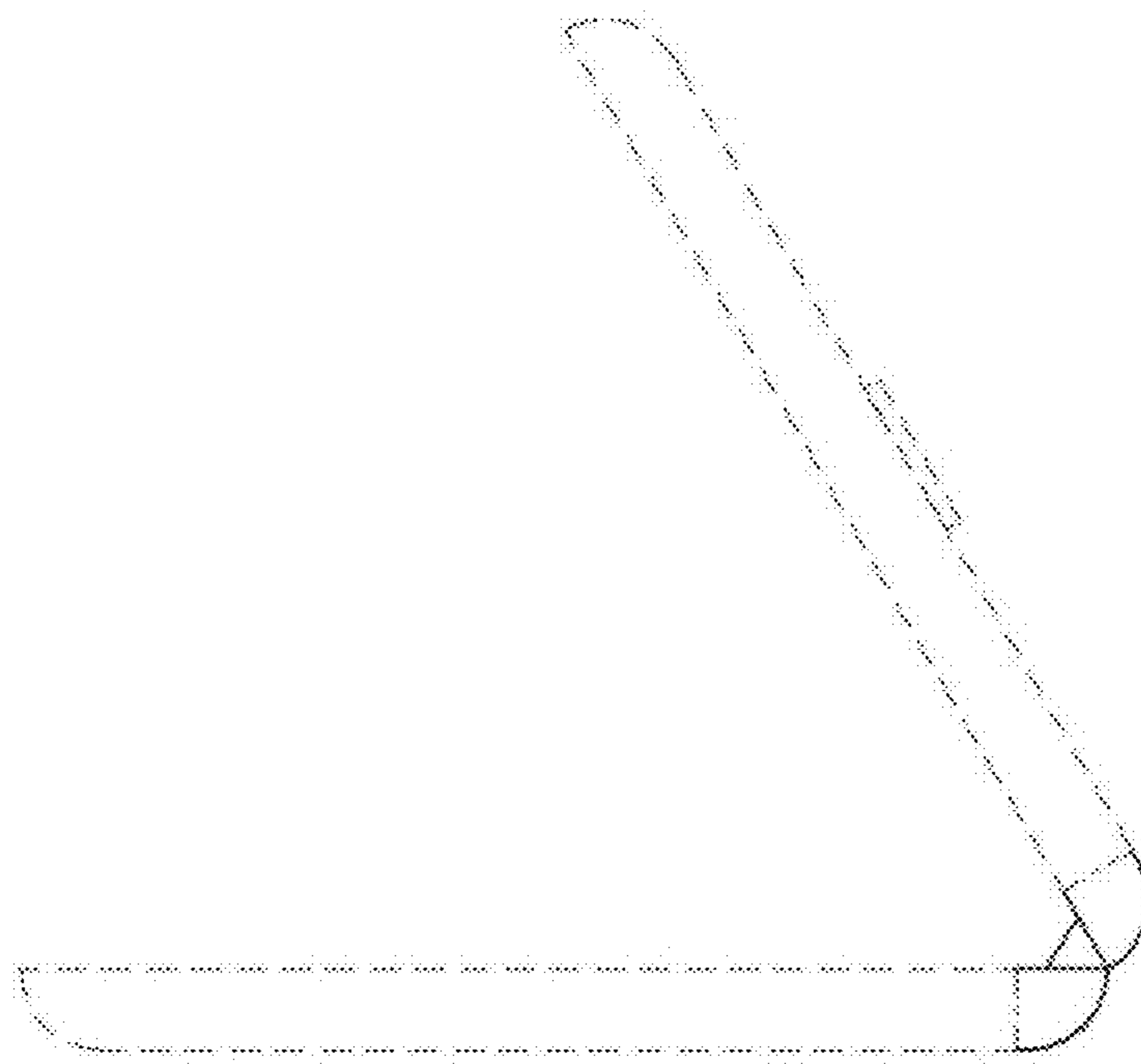
1.10



**1.11**

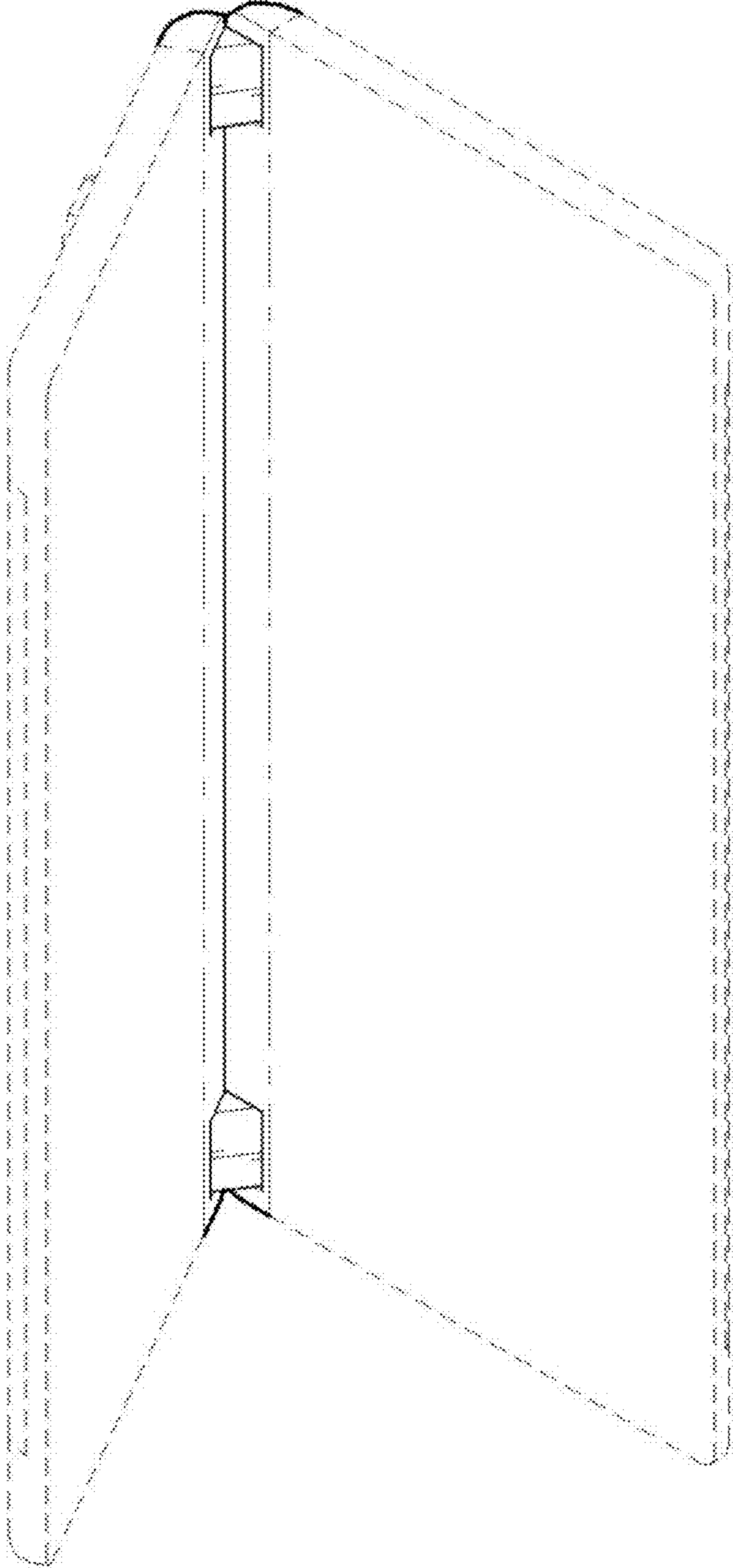


1.12

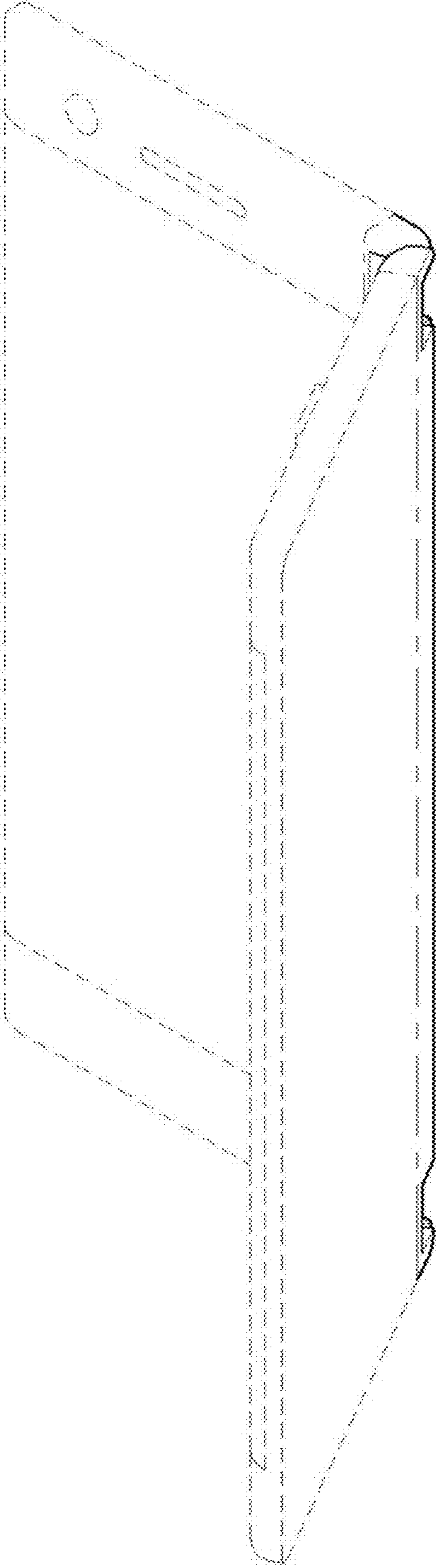




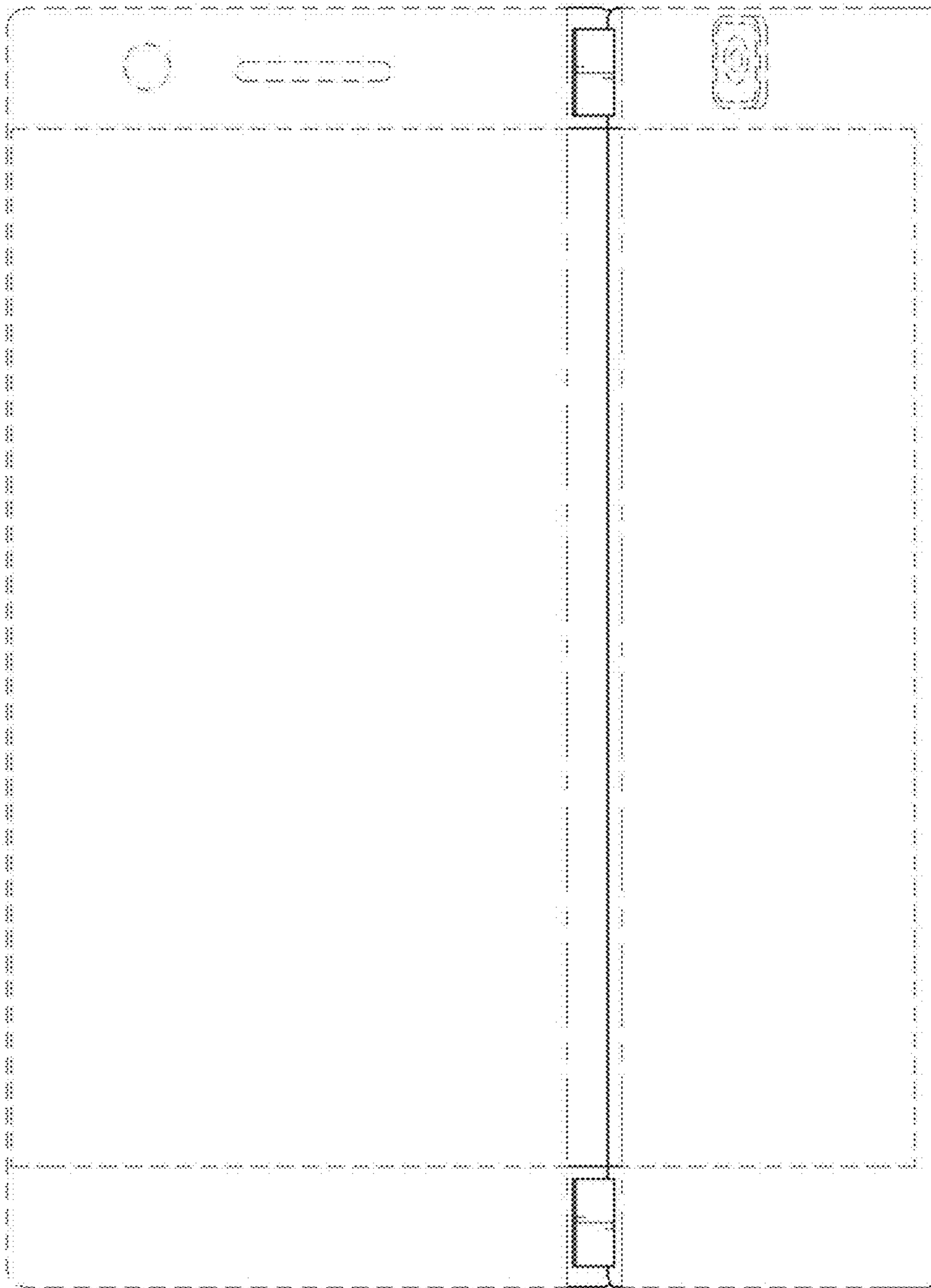
1.13



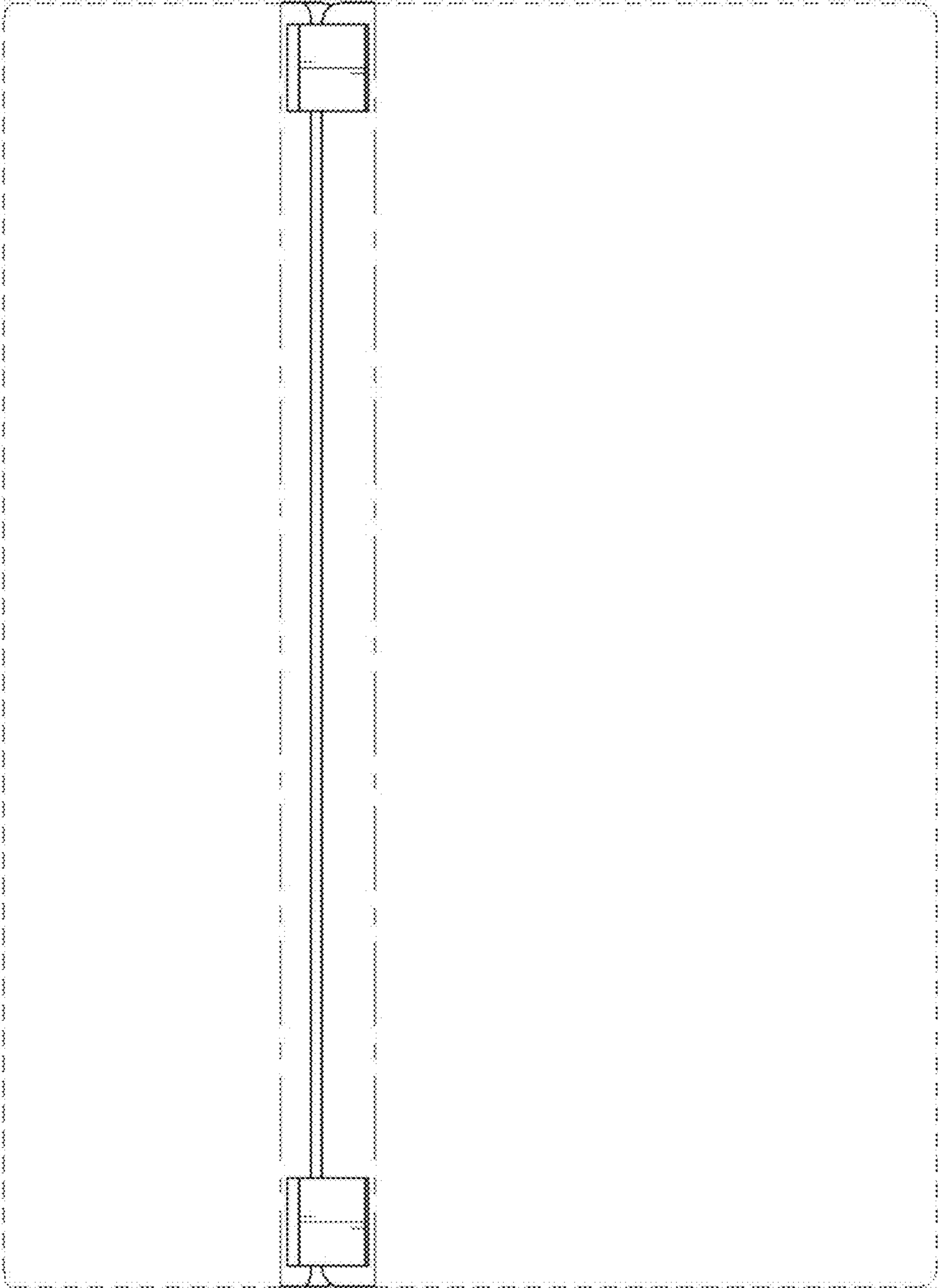
1.14



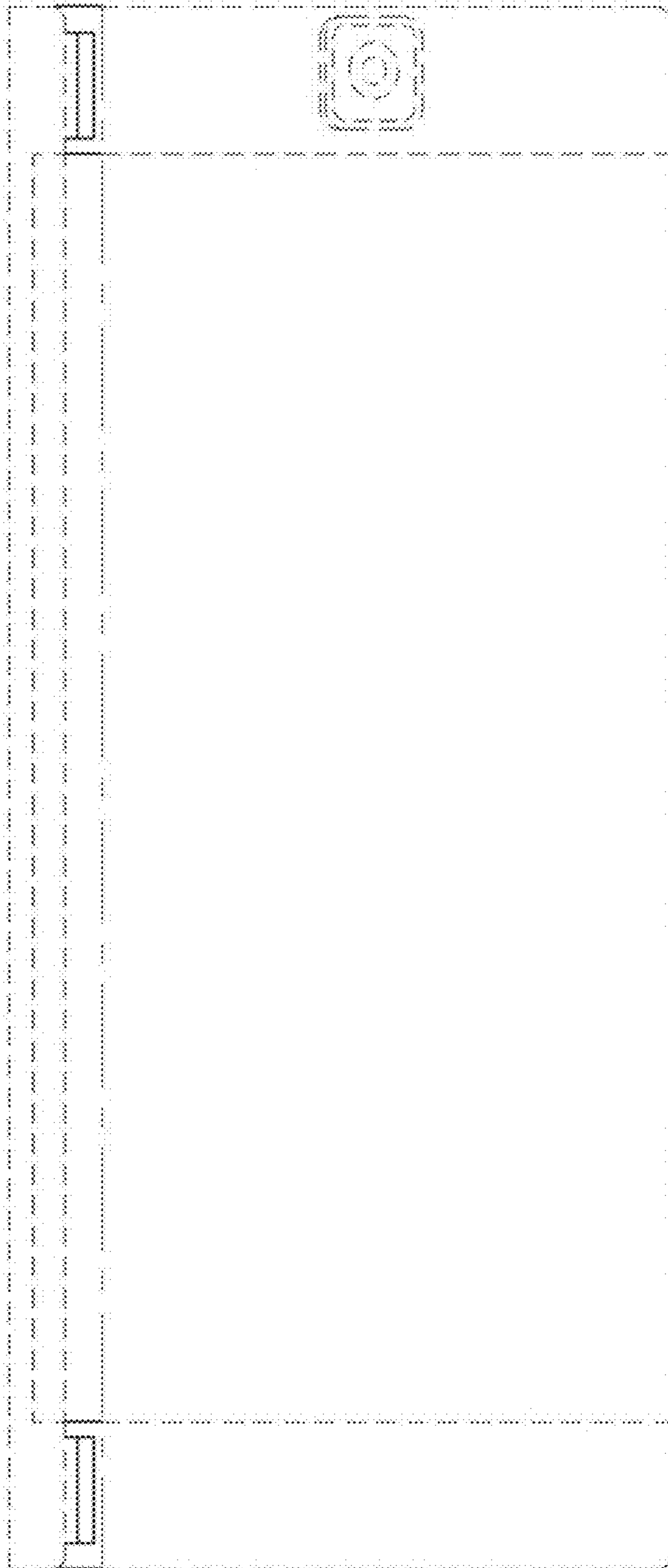
1.15



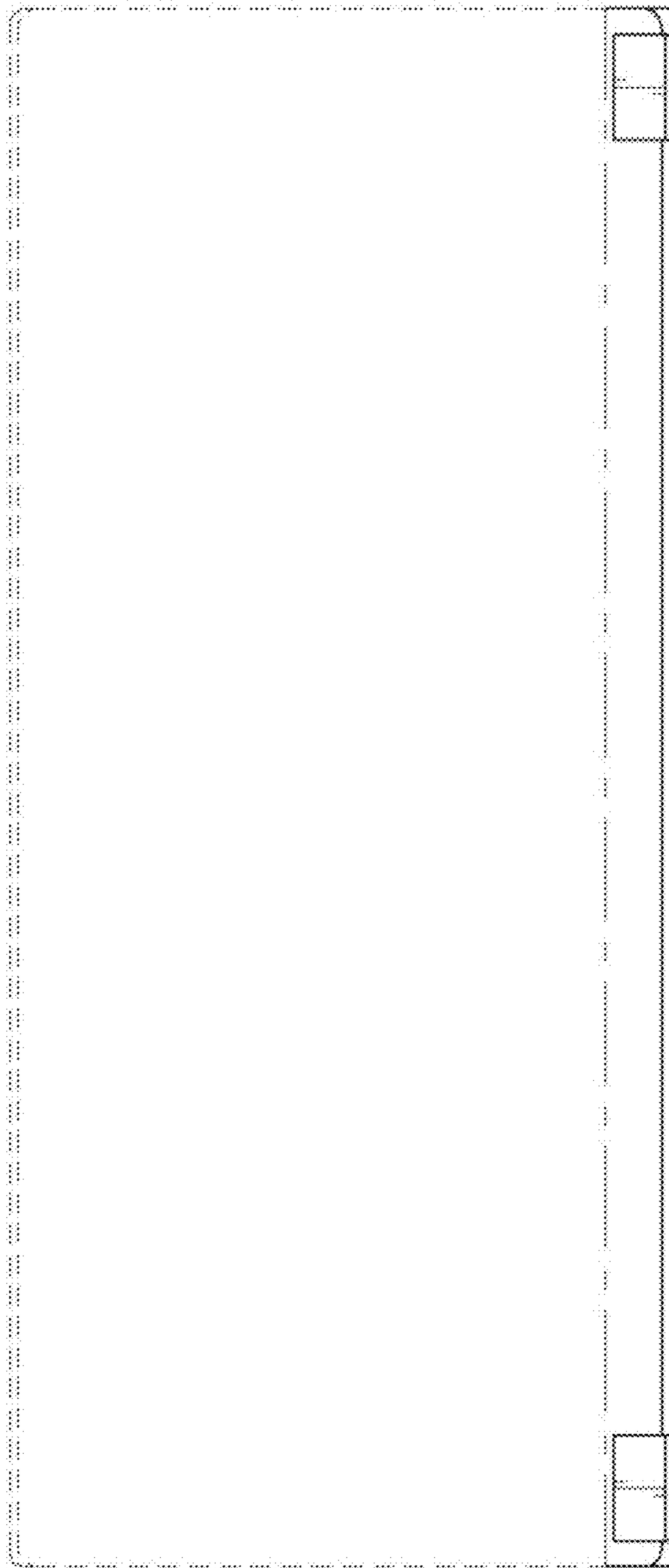
1.16



1.17

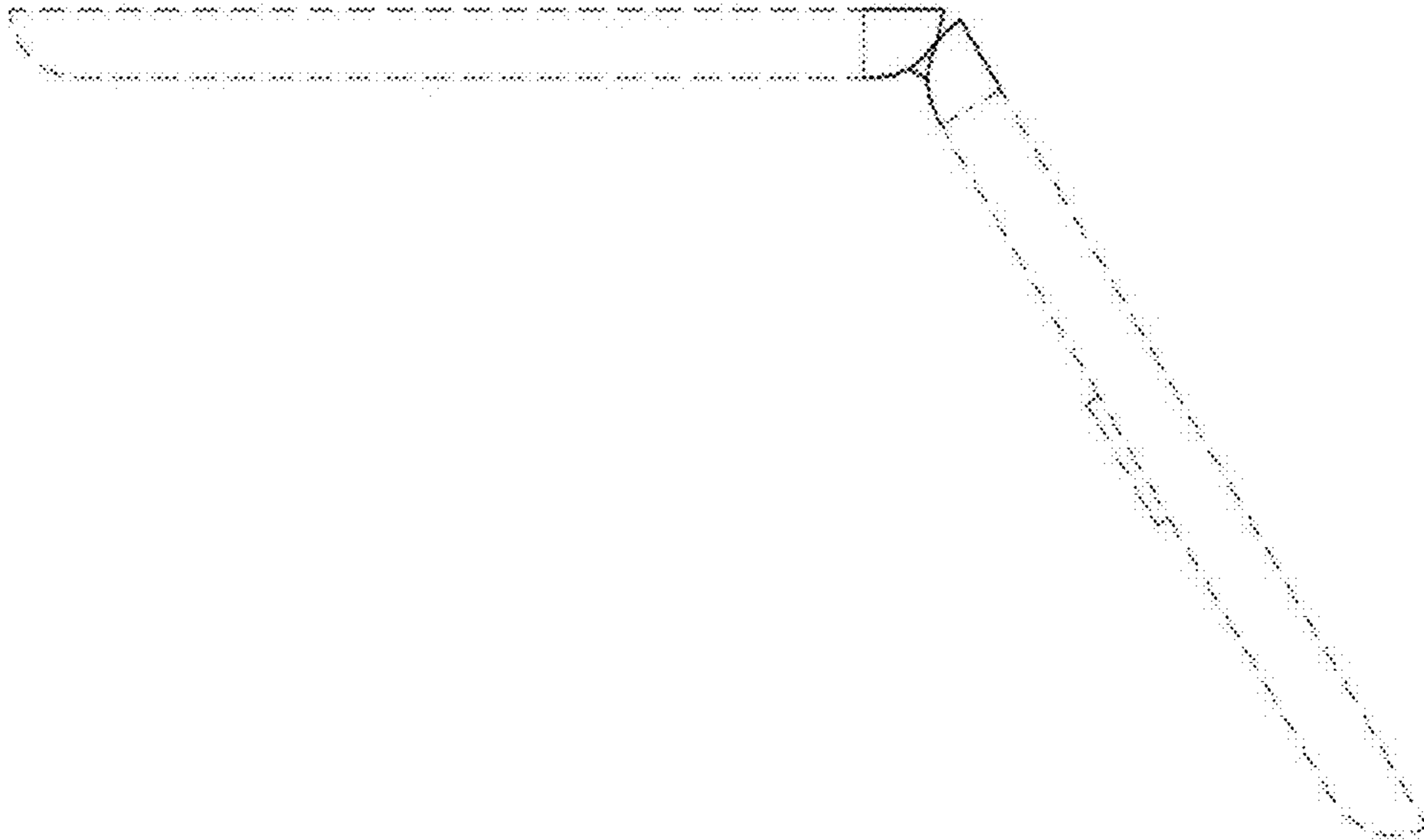


1.18





1.19



1.20

