



US00D829673S

(12) **United States Design Patent** (10) **Patent No.:** **US D829,673 S**  
**Mira et al.** (45) **Date of Patent:** **\*\* Oct. 2, 2018**

(54) **COMBINED LIQUID COOLING COLD PLATE AND VAPOR CHAMBER**  
(71) Applicant: **HEATSCAPE.COM, INC.**, Morgan Hill, CA (US)  
(72) Inventors: **Ali Mira**, Morgan Hill, CA (US); **Yashar Mira**, Morgan Hill, CA (US); **Michael Mira**, Morgan Hill, CA (US)  
(73) Assignee: **HEATSCAPE.COM, INC.**, Morgan Hill, CA (US)  
(\*\*) Term: **15 Years**

D573,110 S \* 7/2008 Otsuki ..... D13/179  
D715,747 S \* 10/2014 Imoto ..... D13/179  
D715,750 S \* 10/2014 Mira ..... D13/179  
D755,741 S \* 5/2016 Prajuckamol ..... D13/182  
D772,823 S \* 11/2016 Lindeman ..... D13/179  
D773,408 S \* 12/2016 Lindeman ..... D13/179  
D774,473 S \* 12/2016 Lindeman ..... D13/179  
D778,852 S \* 2/2017 Matsumoto ..... D13/182  
2008/0007915 A1 \* 1/2008 Chen ..... H01L 23/4006  
361/701  
2009/0044929 A1 \* 2/2009 Yeh ..... F28D 1/05391  
165/104.19  
2009/0268409 A1 \* 10/2009 Zhou ..... H01L 23/34  
361/710  
2012/0261095 A1 \* 10/2012 Wu ..... F28F 21/06  
165/104.26

(21) Appl. No.: **29/624,683**  
(22) Filed: **Nov. 2, 2017**

**Related U.S. Application Data**

(62) Division of application No. 29/555,494, filed on Feb. 22, 2016, now Pat. No. Des. 803,169.  
(51) **LOC (11) Cl.** ..... **13-03**  
(52) **U.S. Cl.**  
USPC ..... **D13/179**  
(58) **Field of Classification Search**  
USPC ..... D13/179, 122, 182  
CPC .. H05K 7/20; H05K 7/20172; H05K 7/20127;  
H05K 7/20336; H05K 7/20154; H05K  
7/20272; H01L 23/34; H01L 23/3672;  
H01L 23/40; H01L 23/4006; H01L  
23/4093; H01L 23/427; H01L 23/46;  
F28D 15/0275; F28D 1/0426; F28D  
15/0208; F28D 15/04; F28F 1/30; F28F  
2215/00; G06F 1/20  
See application file for complete search history.

(56) **References Cited**  
U.S. PATENT DOCUMENTS

D553,170 S \* 10/2007 Remsburg ..... D15/199  
D561,711 S \* 2/2008 Lin ..... D13/179

(Continued)

*Primary Examiner* — Jennifer Rivard  
*Assistant Examiner* — April Rivas  
(74) *Attorney, Agent, or Firm* — Kilpatrick Townsend & Stockton LLP

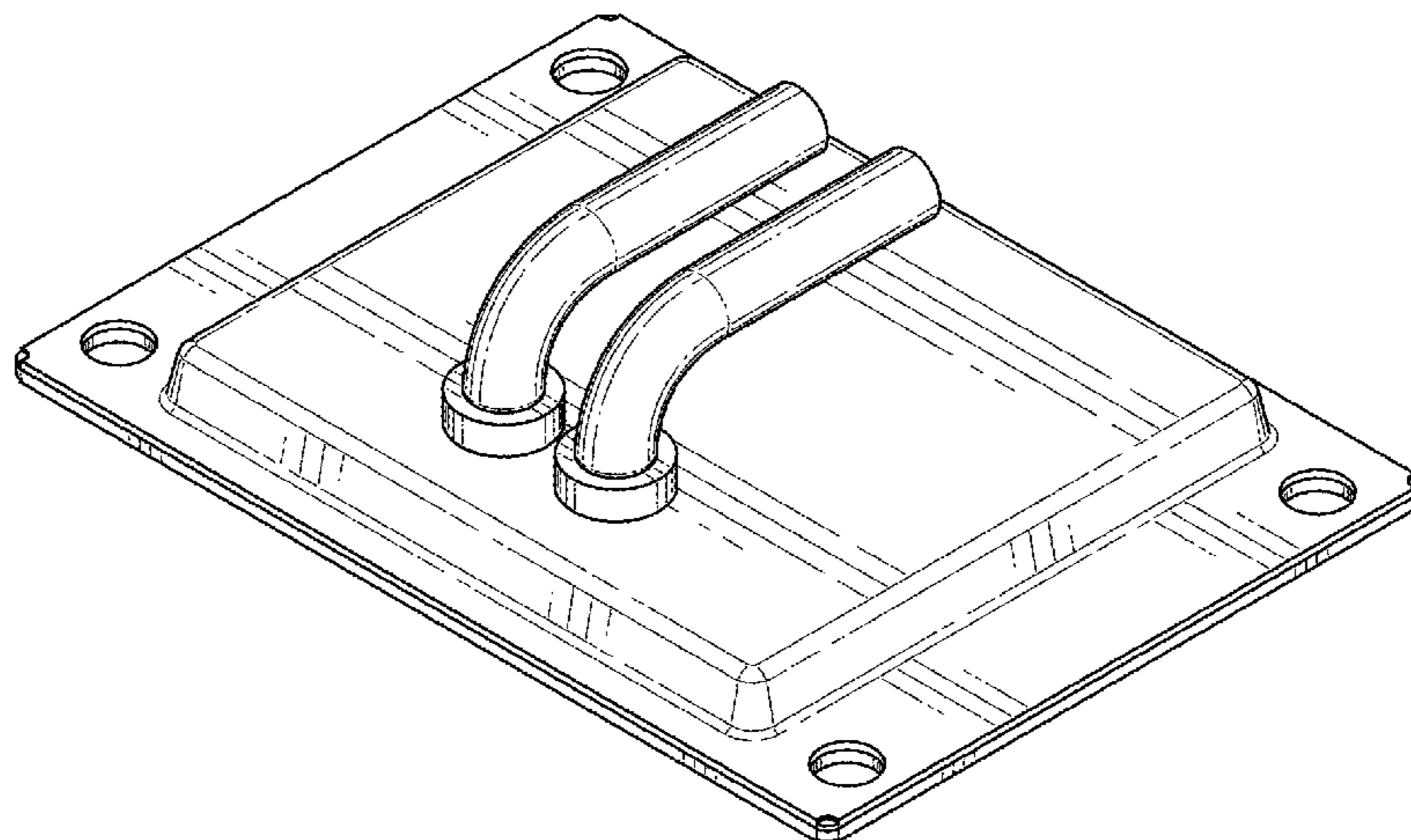
(57) **CLAIM**

The ornamental design for a combined liquid cooling cold plate and vapor chamber, as shown and described.

**DESCRIPTION**

FIG. 1 is a top perspective view of a combined liquid cooling cold plate and vapor chamber showing our new design; FIG. 2 is a top perspective disassembled view corresponding to FIG. 1; FIG. 3 is a left side elevational view of FIG. 1; FIG. 4 is a right side elevational view thereof; FIG. 5 is a rear elevational view thereof; FIG. 6 is a front elevational view thereof; FIG. 7 is a top plan view thereof; and, FIG. 8 is a bottom plan view thereof.

**1 Claim, 8 Drawing Sheets**



(56)

**References Cited**

U.S. PATENT DOCUMENTS

2016/0118317 A1\* 4/2016 Shedd ..... F25B 23/006  
257/712  
2016/0234968 A1\* 8/2016 Huang ..... H01L 23/427  
2016/0327996 A1\* 11/2016 Sasabe ..... H05K 7/20  
2016/0363967 A1\* 12/2016 Tsai ..... H05K 7/20254  
2016/0366788 A1\* 12/2016 Liao ..... B67D 7/36

\* cited by examiner

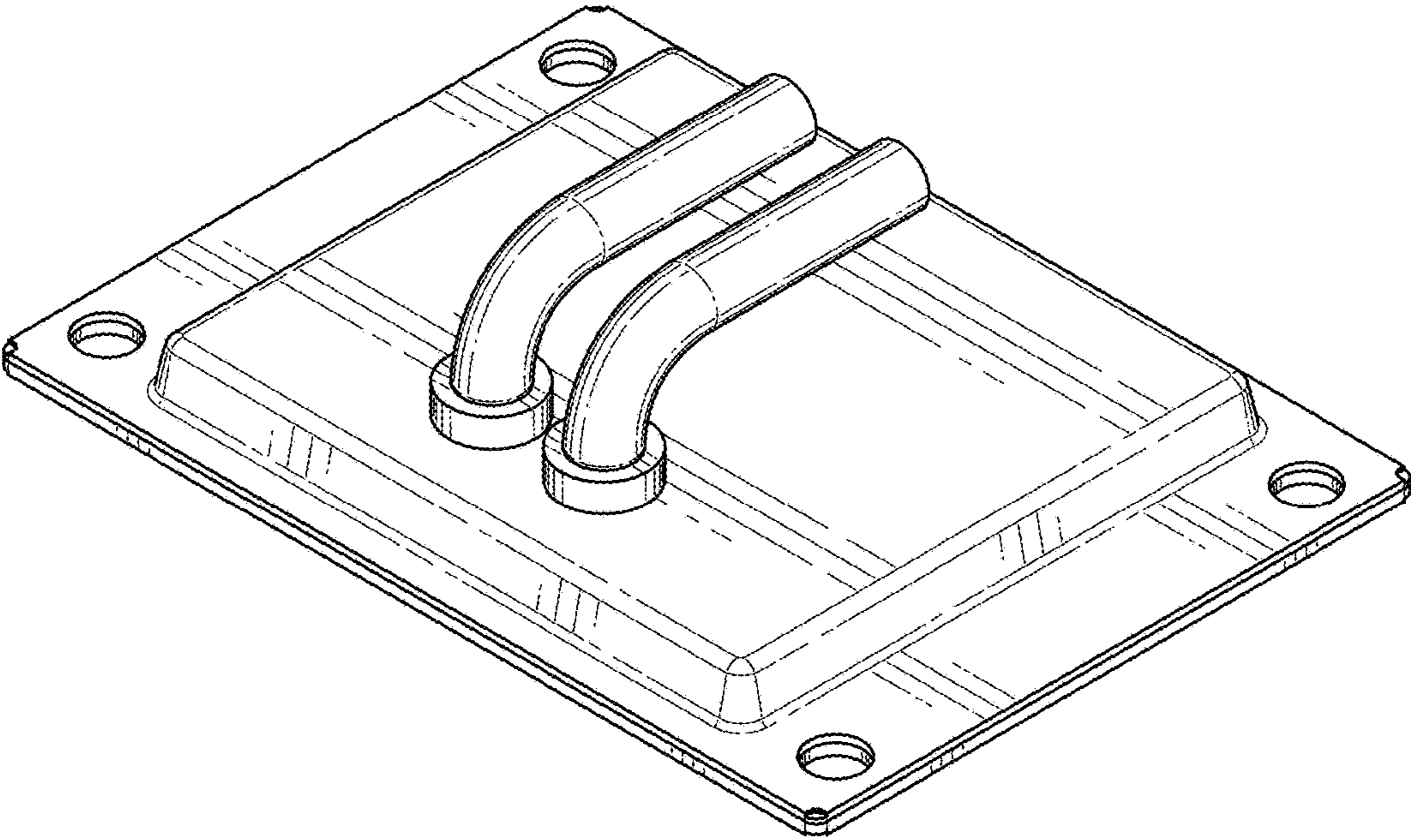


FIG. 1

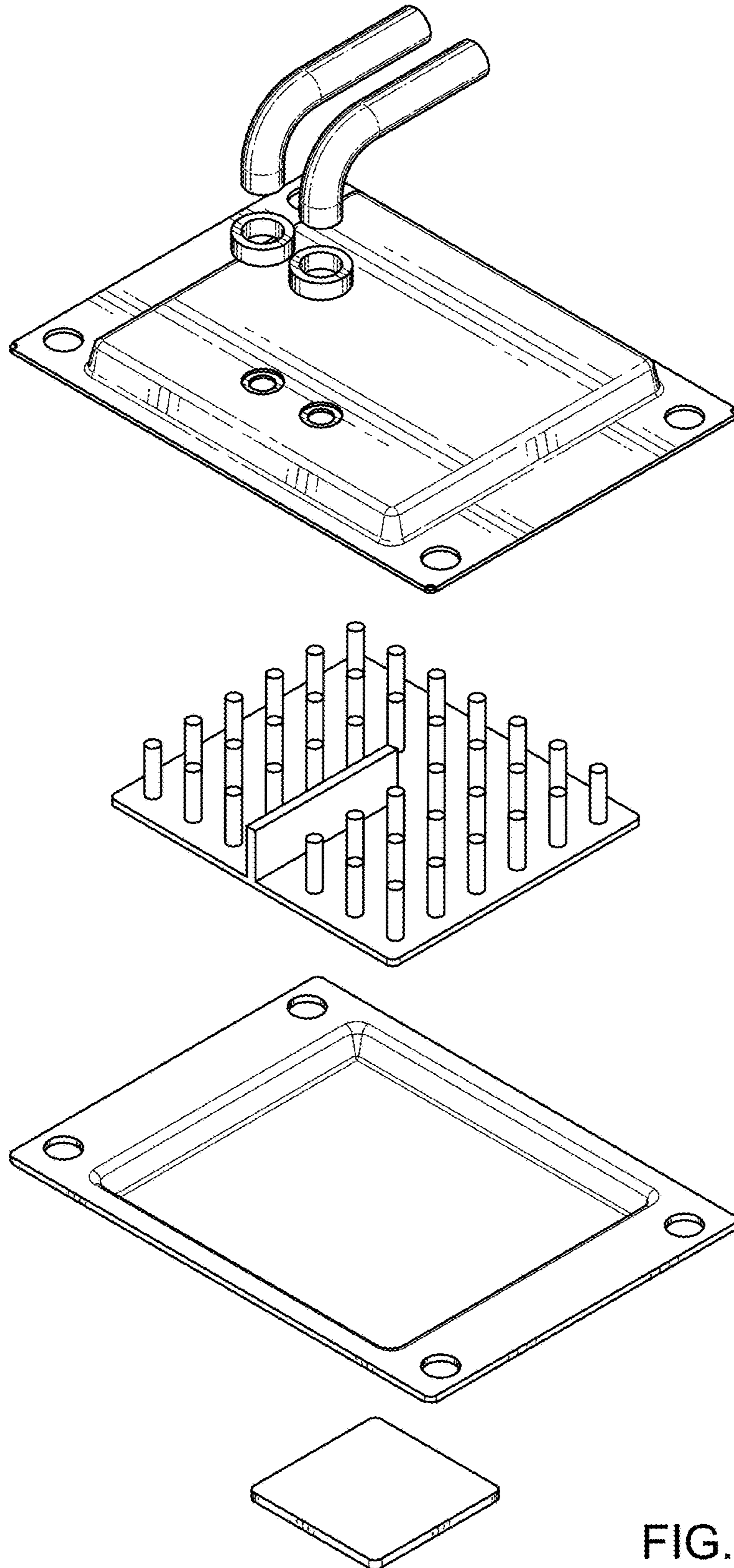


FIG. 2

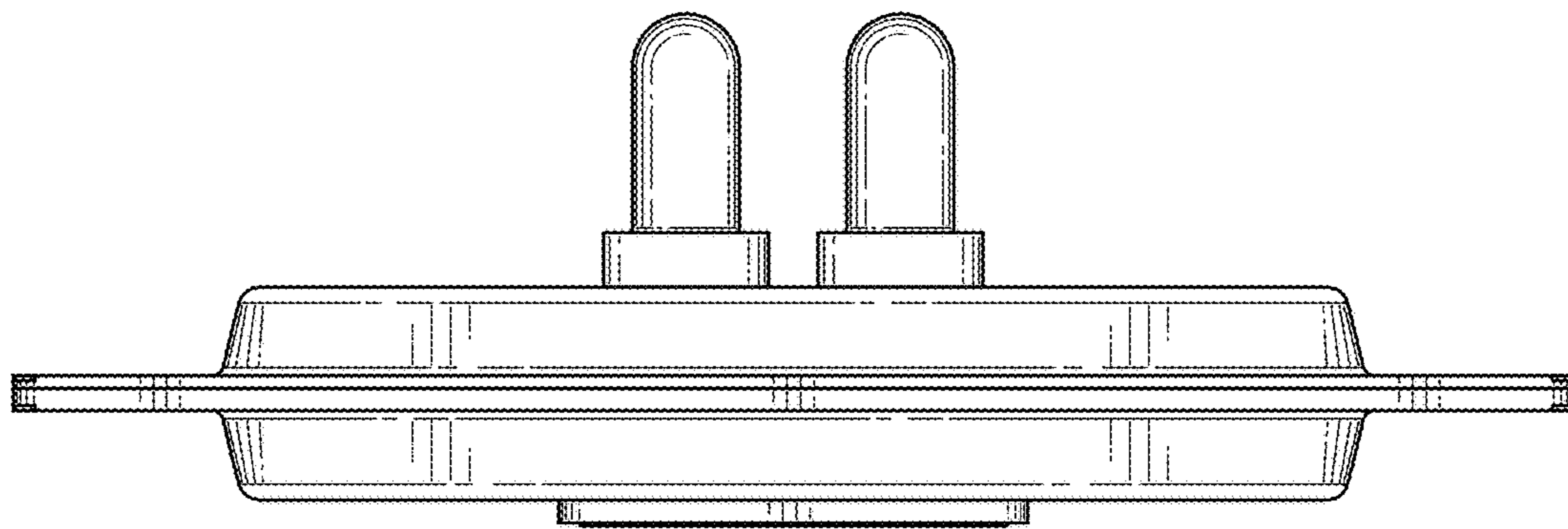


FIG. 3

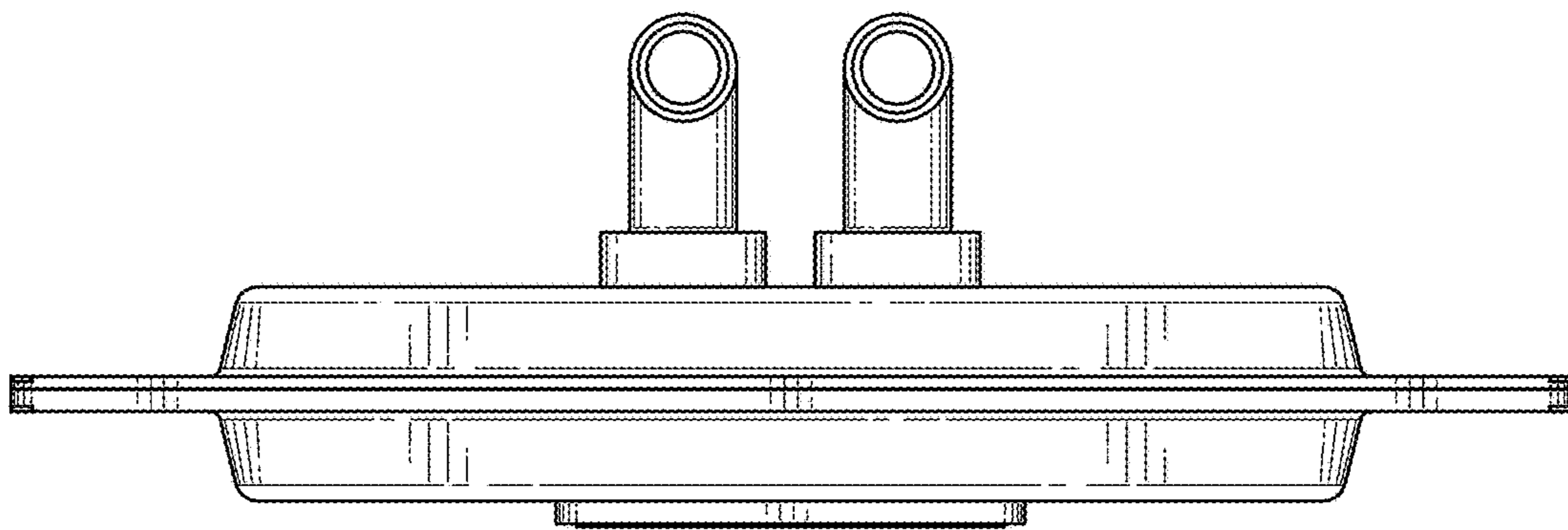


FIG. 4

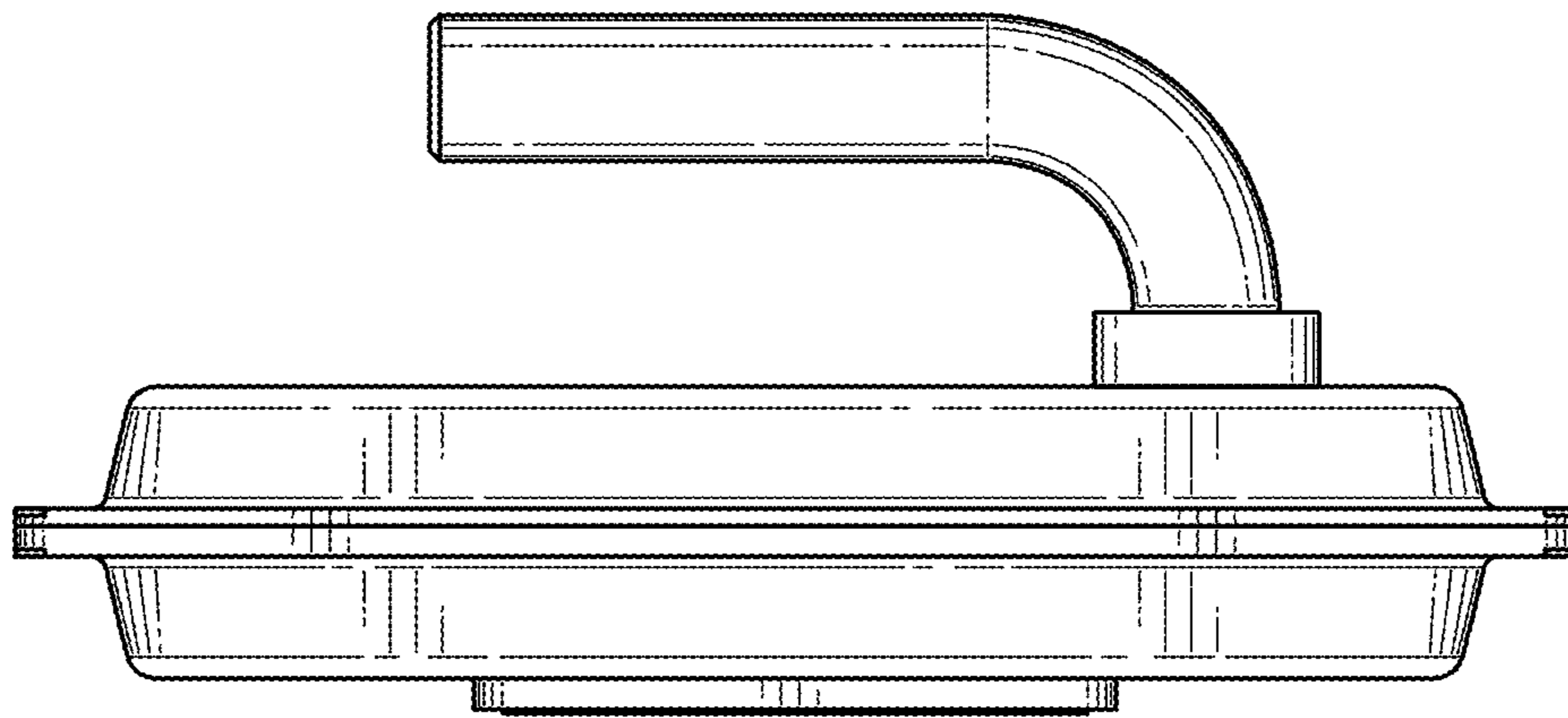


FIG. 5

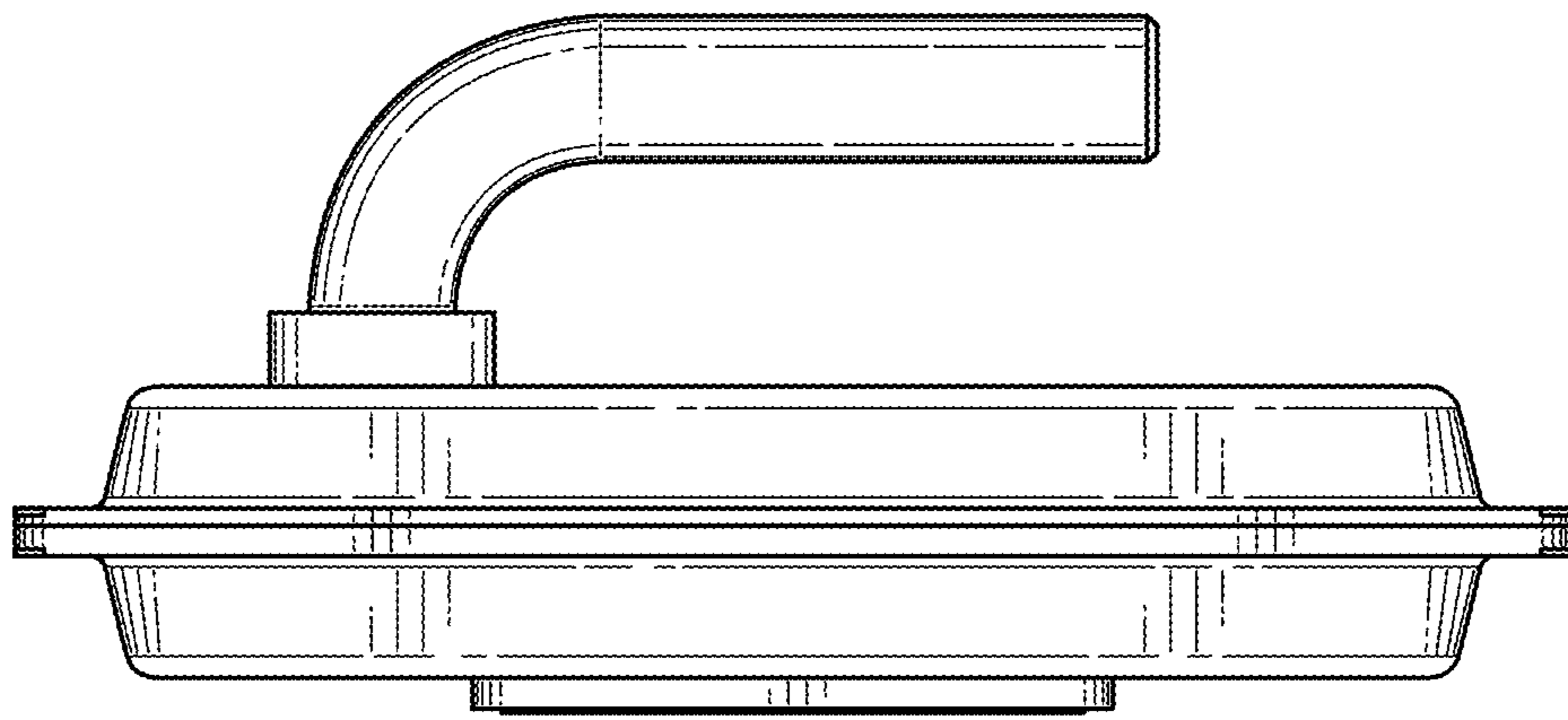


FIG. 6



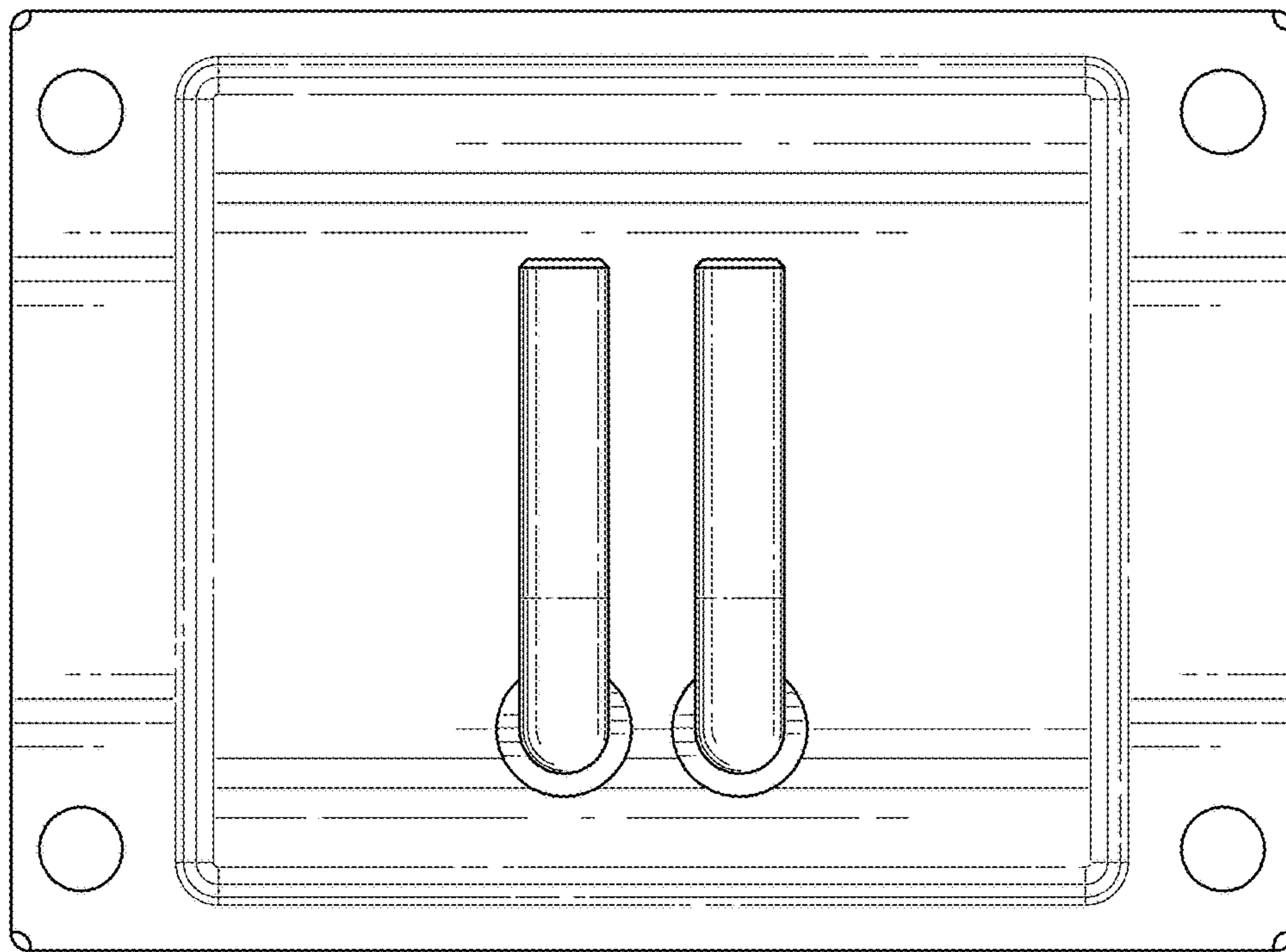


FIG. 7

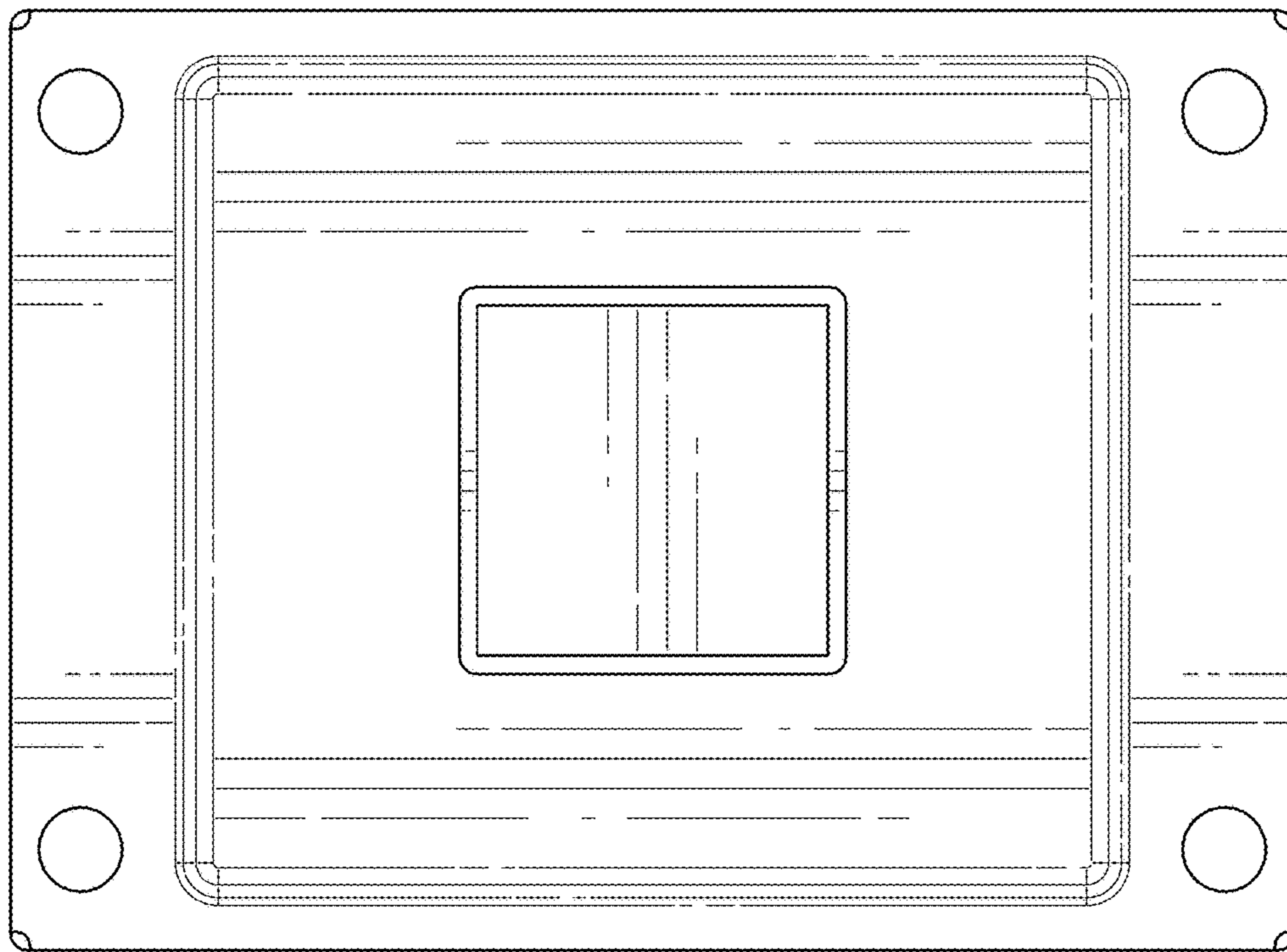


FIG. 8