



US00D829669S

(12) **United States Design Patent** (10) **Patent No.:** **US D829,669 S**  
**St. George et al.** (45) **Date of Patent:** **\*\* Oct. 2, 2018**

(54) **ATTACHMENT FOR AN ELECTRICAL CABLE**

D576,948 S \* 9/2008 Bernstine ..... D13/133  
D622,667 S \* 8/2010 Lin ..... D13/147  
D684,122 S \* 6/2013 Strater ..... D13/153  
D806,041 S \* 12/2017 Holley ..... D13/153

(71) Applicants: **Karl St. George**, Phetchaburi (TH);  
**Shane Holley**, Windermere, FL (US)

\* cited by examiner

(72) Inventors: **Karl St. George**, Phetchaburi (TH);  
**Shane Holley**, Windermere, FL (US)

*Primary Examiner* — Wan Laymon  
*Assistant Examiner* — Mark Booker

(73) Assignee: **Axcel Electronics Thailand Co. Ltd.**,  
Phetchaburi (TH)

(74) *Attorney, Agent, or Firm* — Christopher M. Ramsey;  
GrayRobinson, P.A.

(\*\*) Term: **15 Years**

(57) **CLAIM**

The ornamental design for an attachment for an electrical cable, substantially as shown and described.

(21) Appl. No.: **29/626,481**

**DESCRIPTION**

(22) Filed: **Nov. 17, 2017**

**Related U.S. Application Data**

(62) Division of application No. 29/542,877, filed on Oct. 19, 2015, now Pat. No. Des. 806,041.

(51) **LOC (11) Cl.** ..... **13-03**

(52) **U.S. Cl.**  
USPC ..... **D13/153**

(58) **Field of Classification Search**  
USPC ..... D13/153, 133, 138.1, 139.1, 152, 154,  
D13/156, 157; D9/428, 702, 710, 711,  
D9/713, 715; D14/184, 199, 205, 228,  
D14/238.1, 256; 379/431; 439/892, 894,  
439/901

CPC .... G02B 6/387; G02B 6/3897; G11B 33/027;  
H01R 4/70; H04N 5/2252

See application file for complete search history.

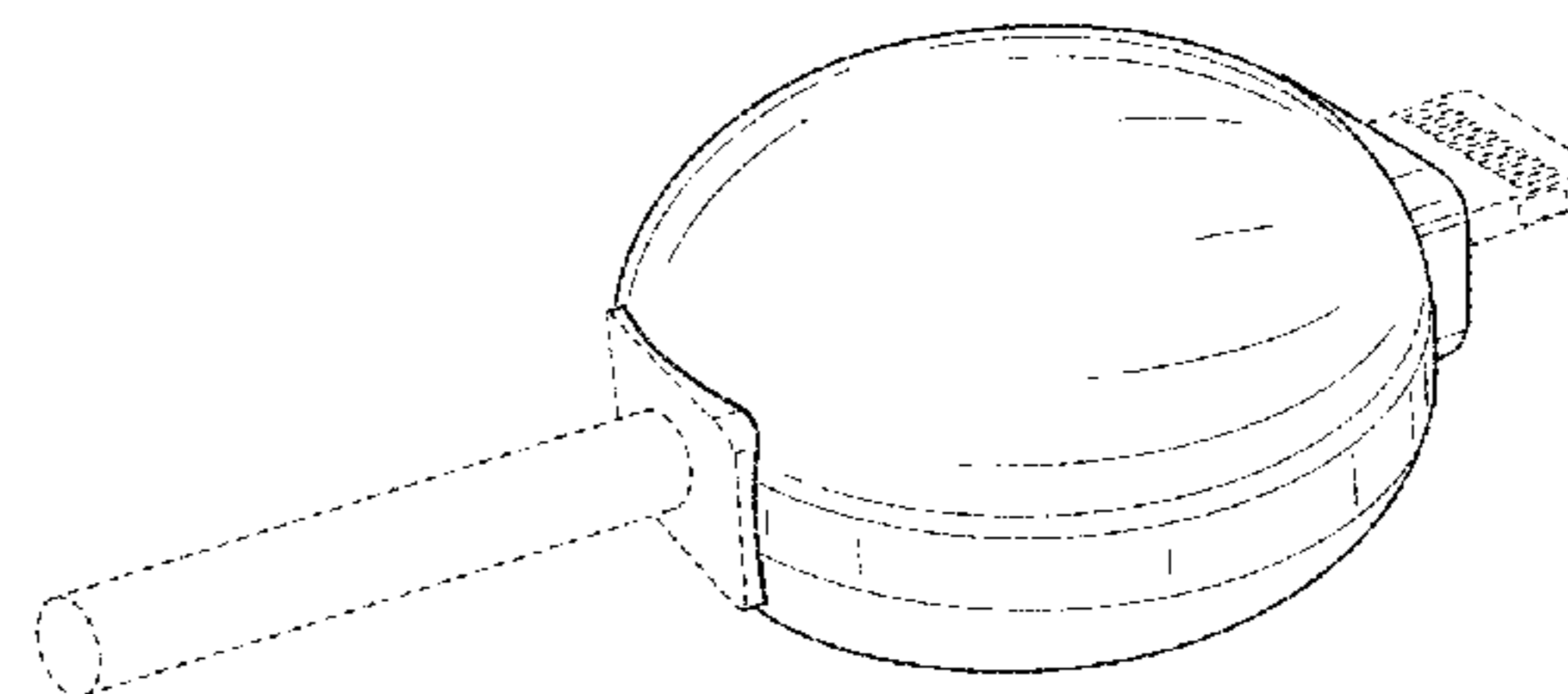
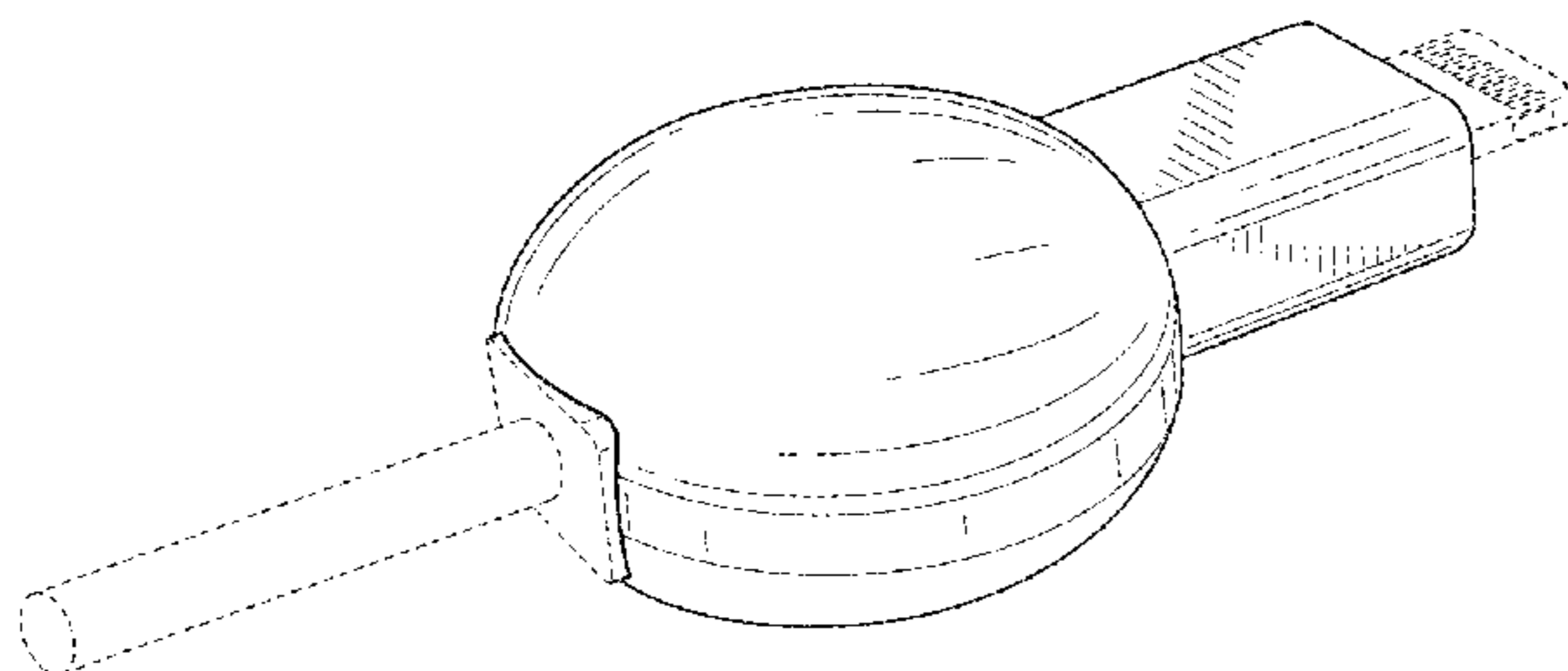
(56) **References Cited**

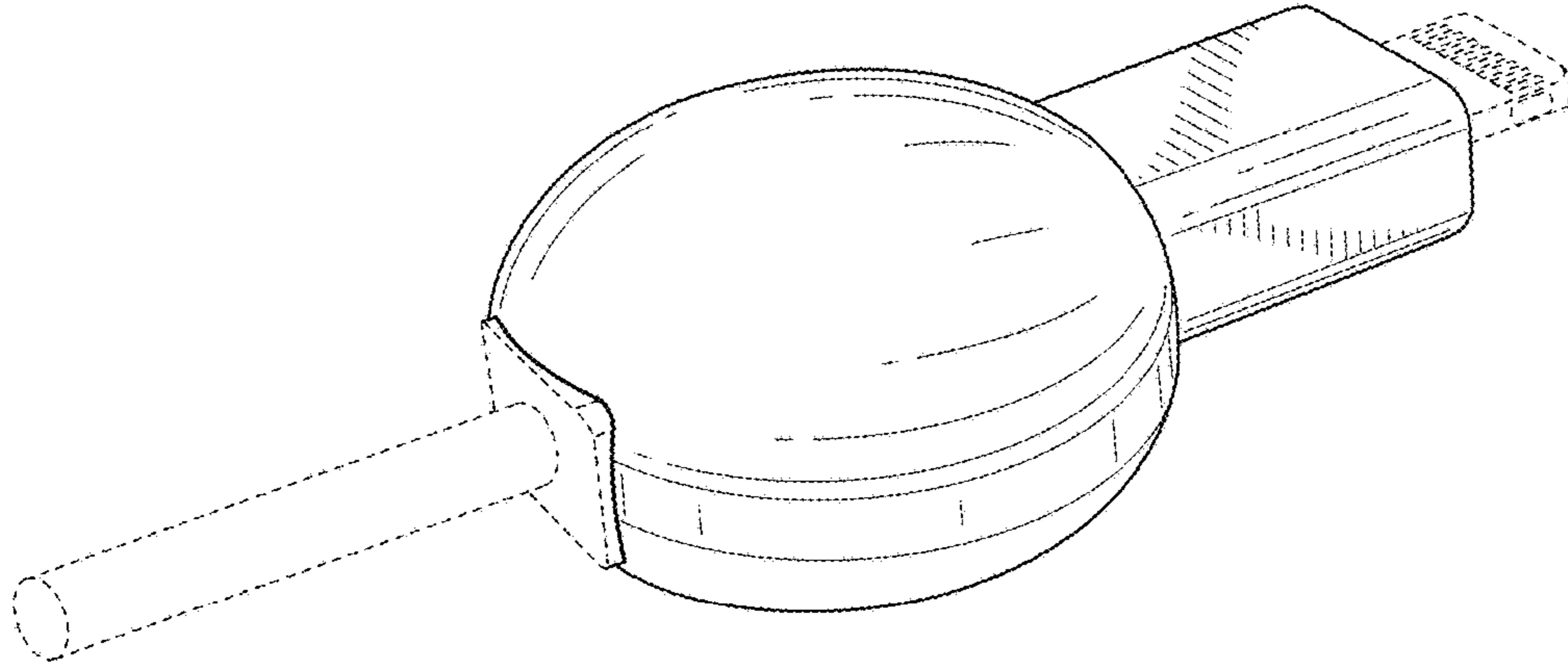
**U.S. PATENT DOCUMENTS**

D464,325 S \* 10/2002 Peters ..... D13/156  
D478,871 S \* 8/2003 Beaton ..... D13/152  
D550,077 S \* 9/2007 Lagreca ..... D9/428  
D561,022 S \* 2/2008 Terrasi ..... D9/424

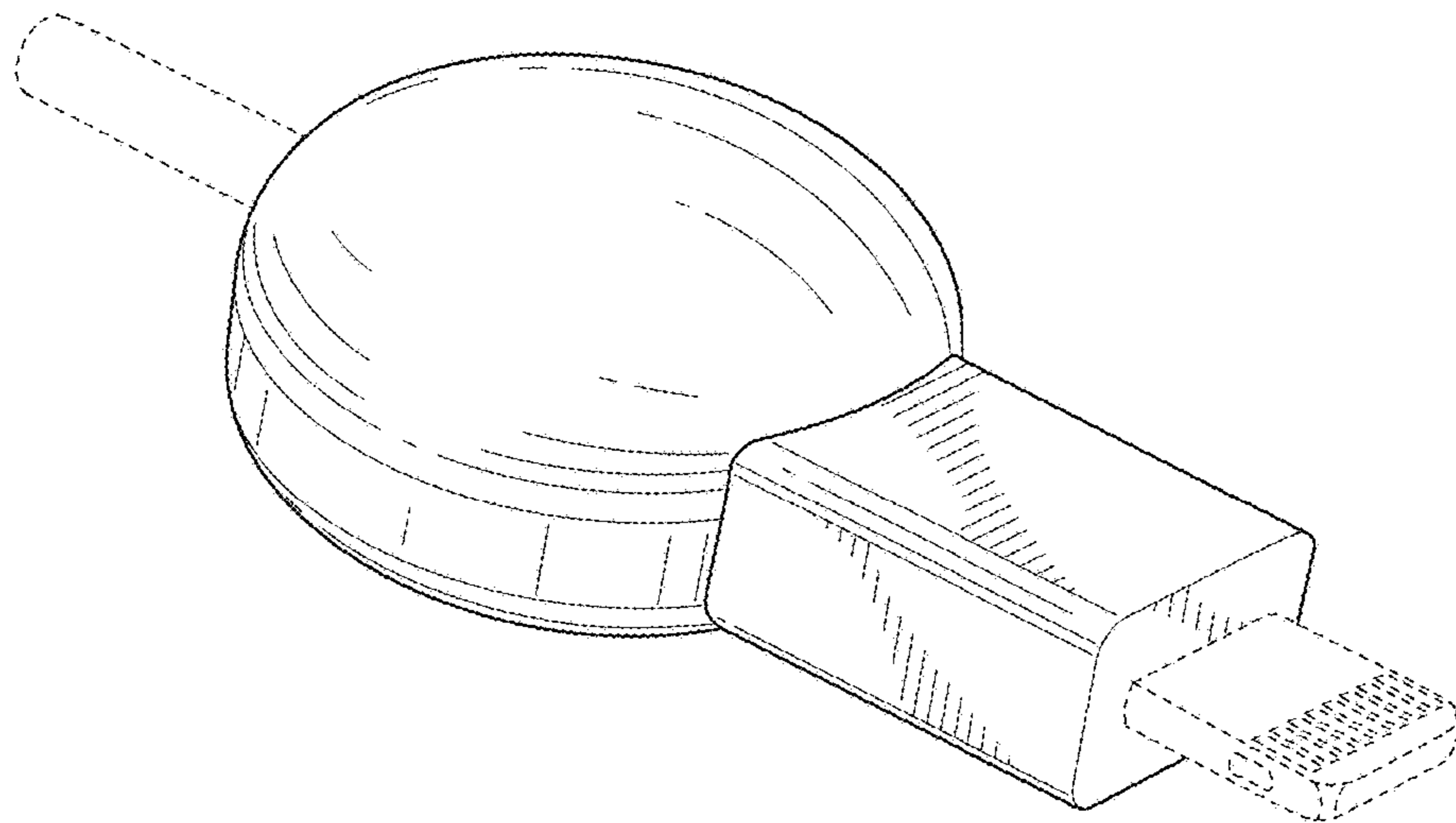
FIG. 1 is a reduced top rear perspective view of a first embodiment of an attachment for an electrical cable;  
FIG. 2 is a top front perspective view of the attachment in FIG. 1;  
FIG. 3 is a top view thereof;  
FIG. 4 is bottom view thereof;  
FIG. 5 is a front view thereof;  
FIG. 6 is a rear view thereof;  
FIG. 7 is a left side view thereof;  
FIG. 8 is a right side view thereof;  
FIG. 9 is a top rear perspective view of a second embodiment of an attachment for an electrical cable;  
FIG. 10 is a top front perspective view of the attachment in FIG. 9;  
FIG. 11 is a top view thereof;  
FIG. 12 is bottom view thereof;  
FIG. 13 is a front view thereof;  
FIG. 14 is a rear view thereof;  
FIG. 15 is a left side view thereof; and,  
FIG. 16 is a right side view thereof.  
The broken lines shown in the figures represent portions of the attachment for an electrical cable that form no part of the claimed design.

**1 Claim, 10 Drawing Sheets**

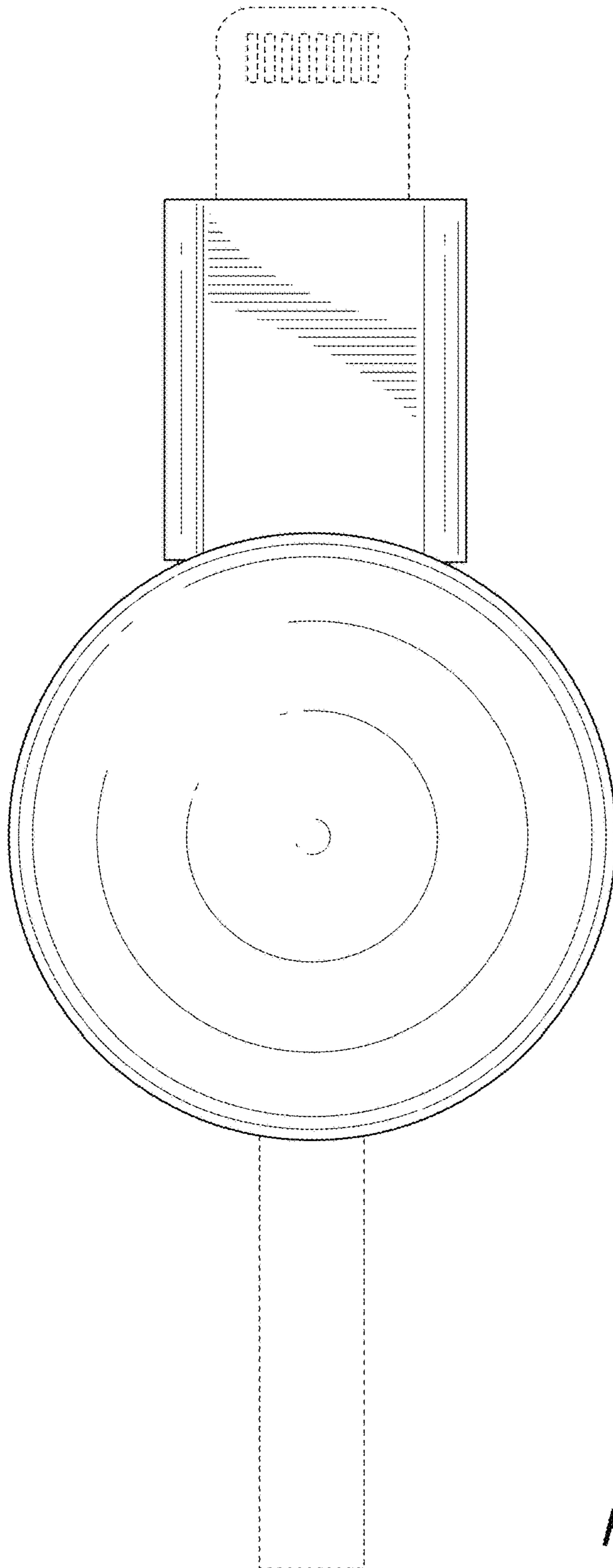




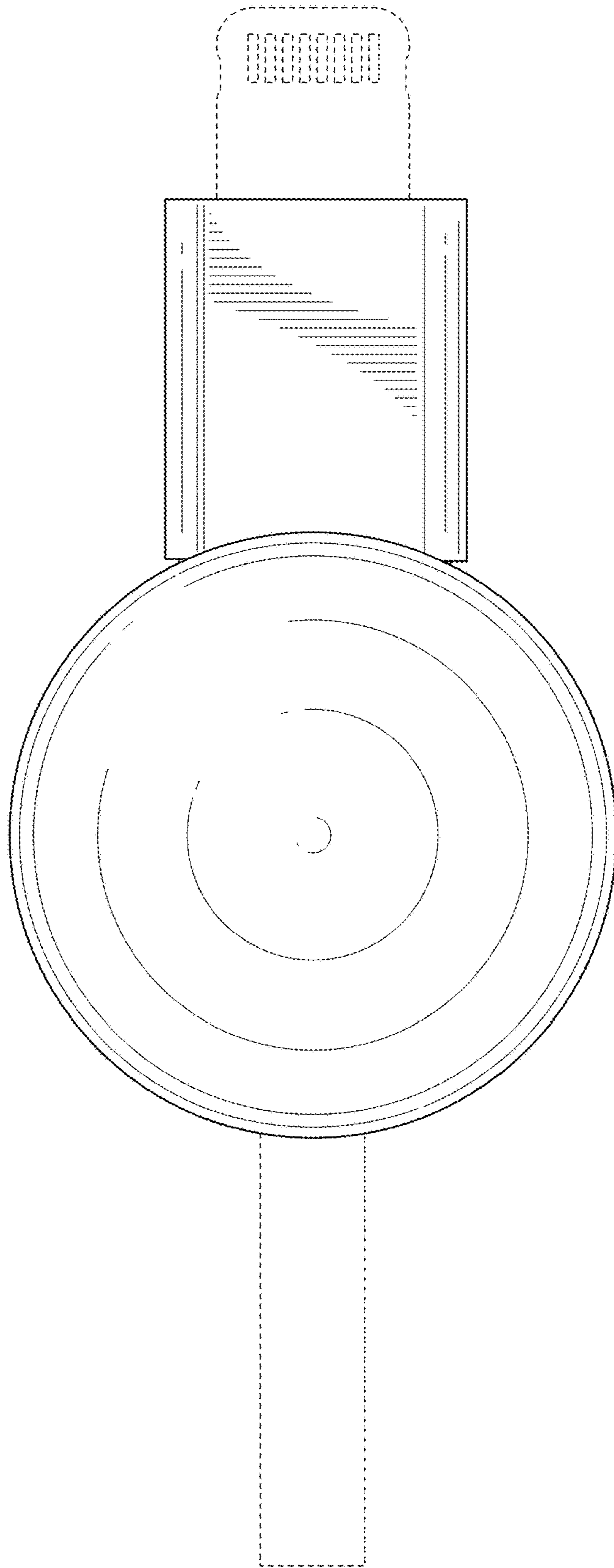
**FIG. 1**



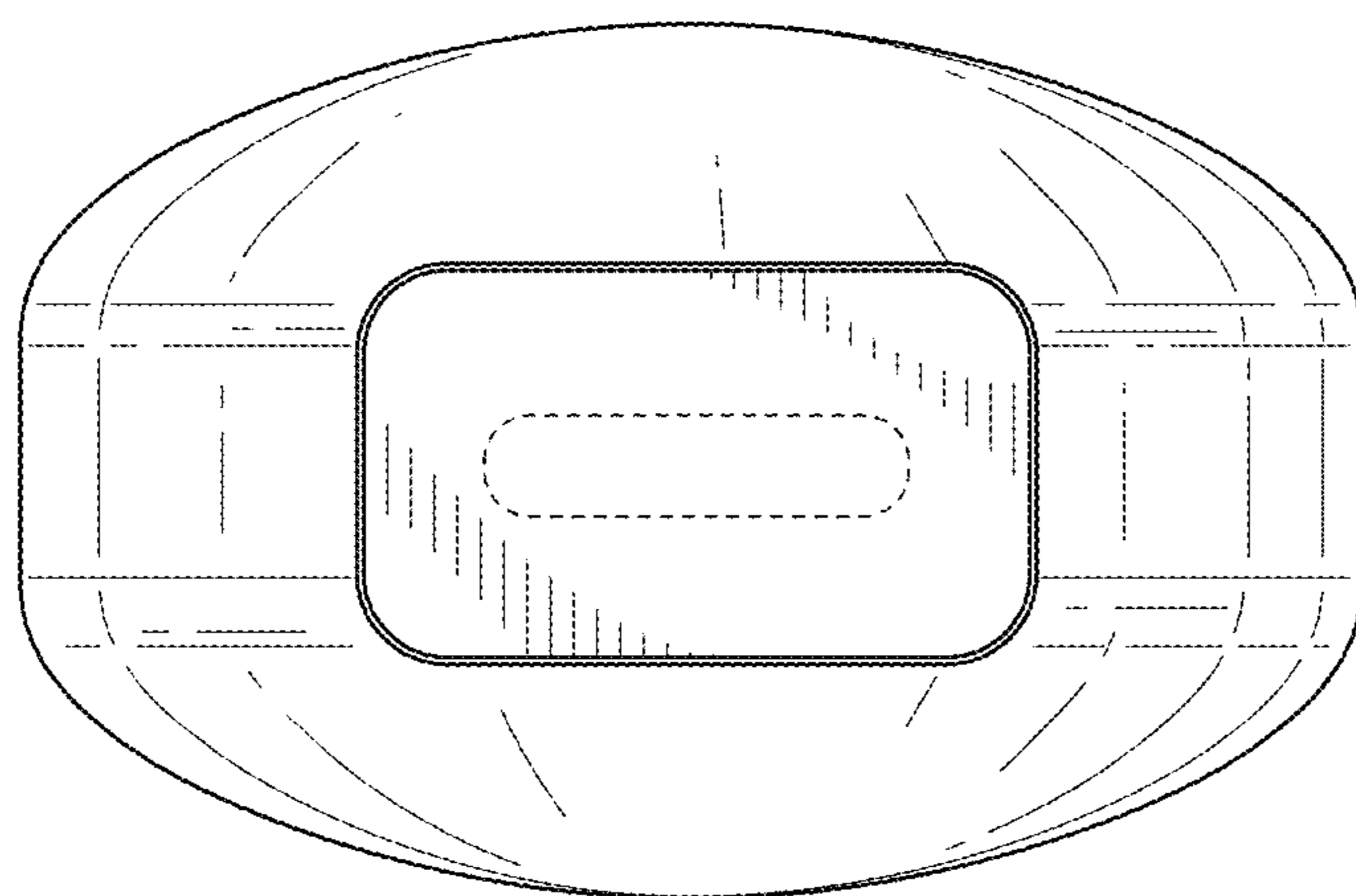
**FIG. 2**



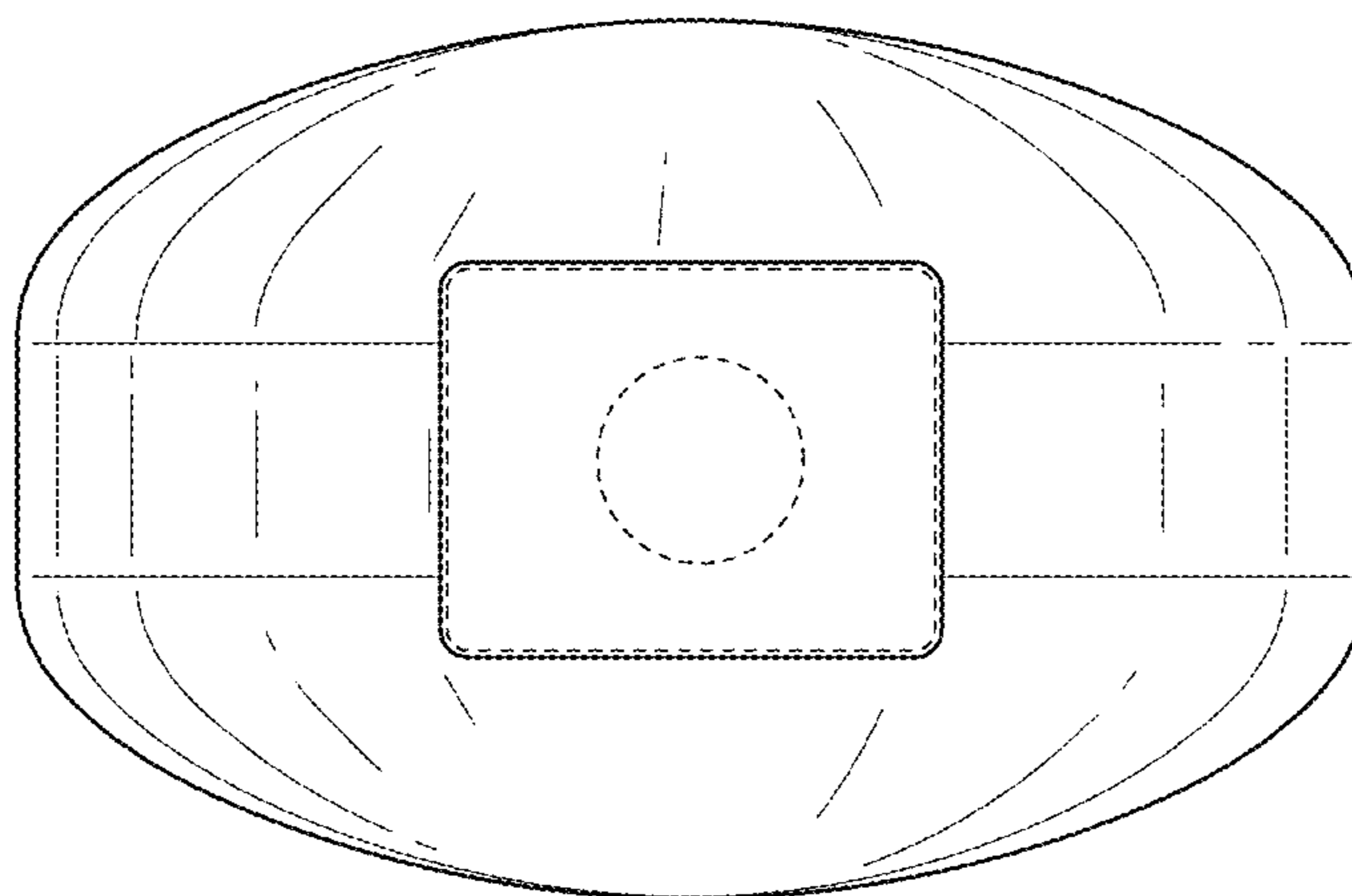
**FIG. 3**



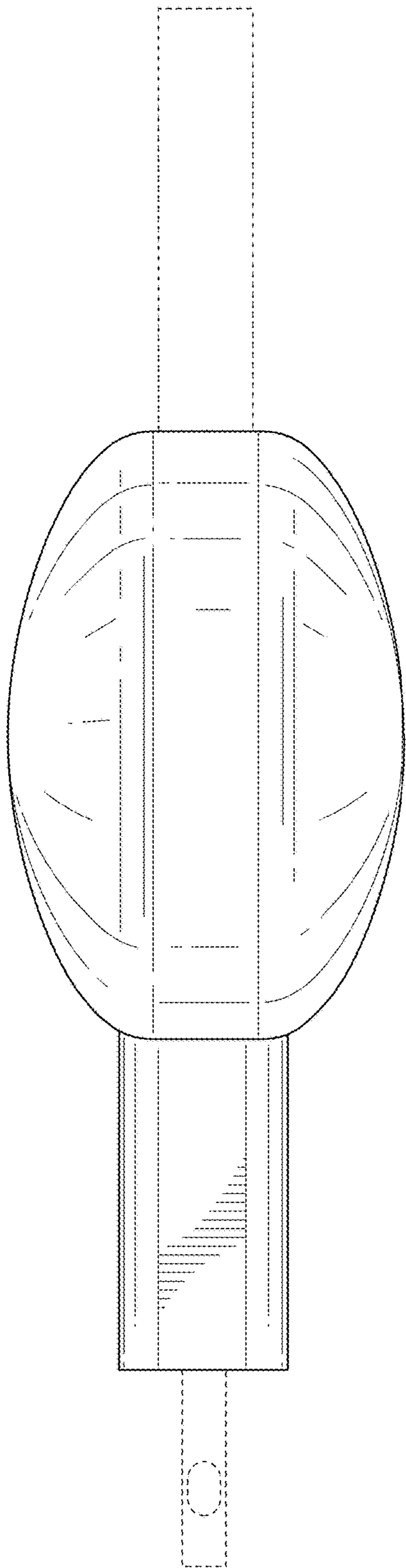
**FIG. 4**



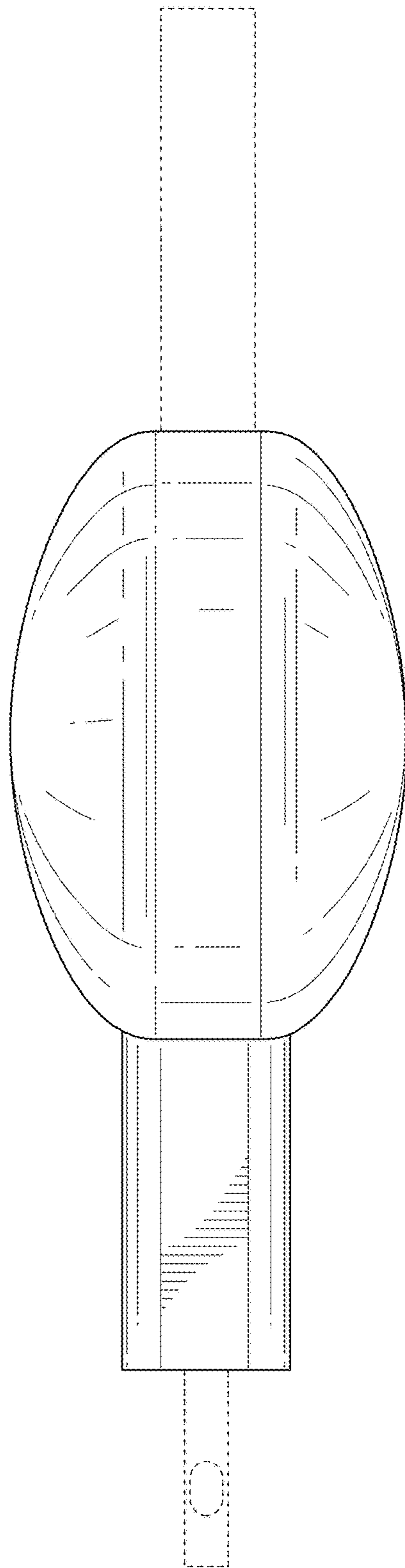
**FIG. 5**



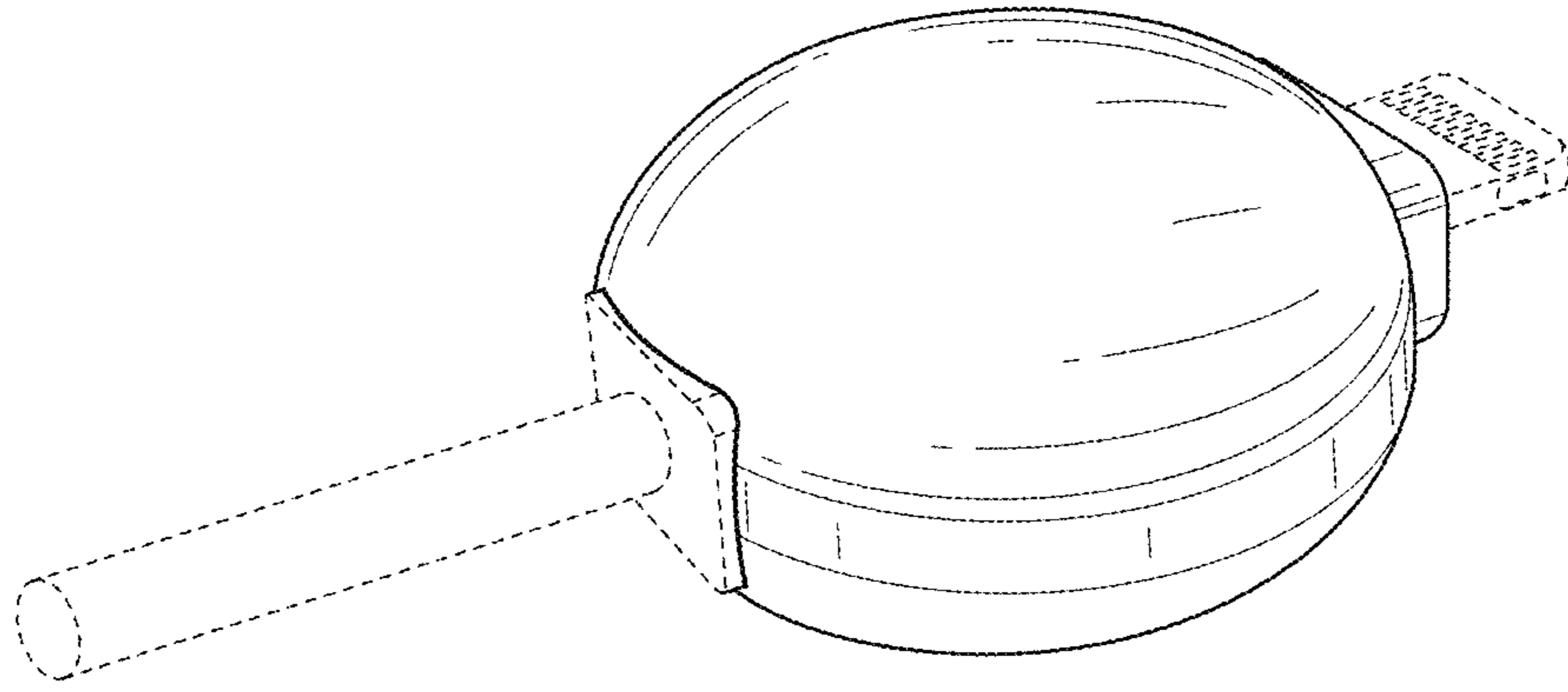
**FIG. 6**



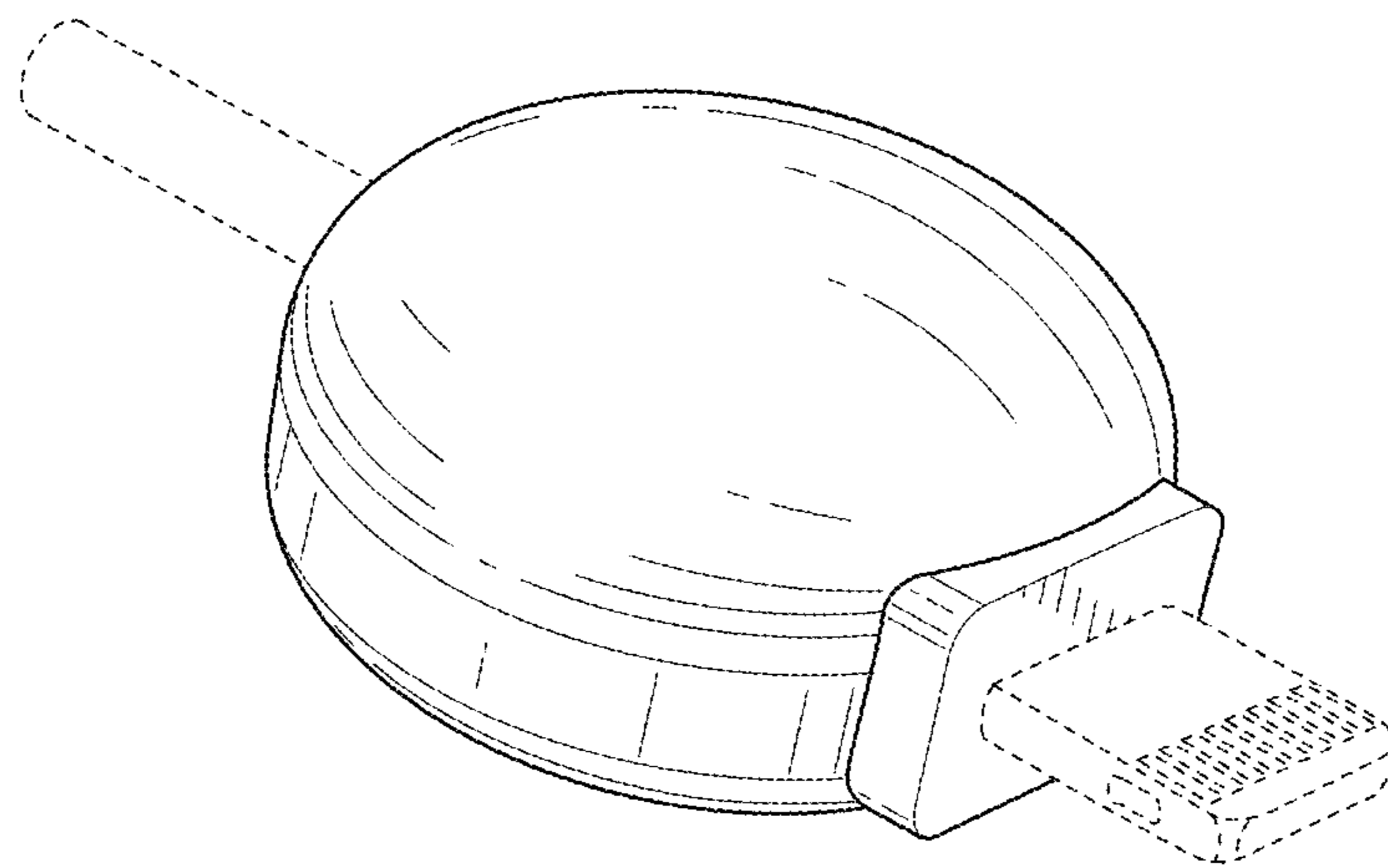
*FIG. 7*



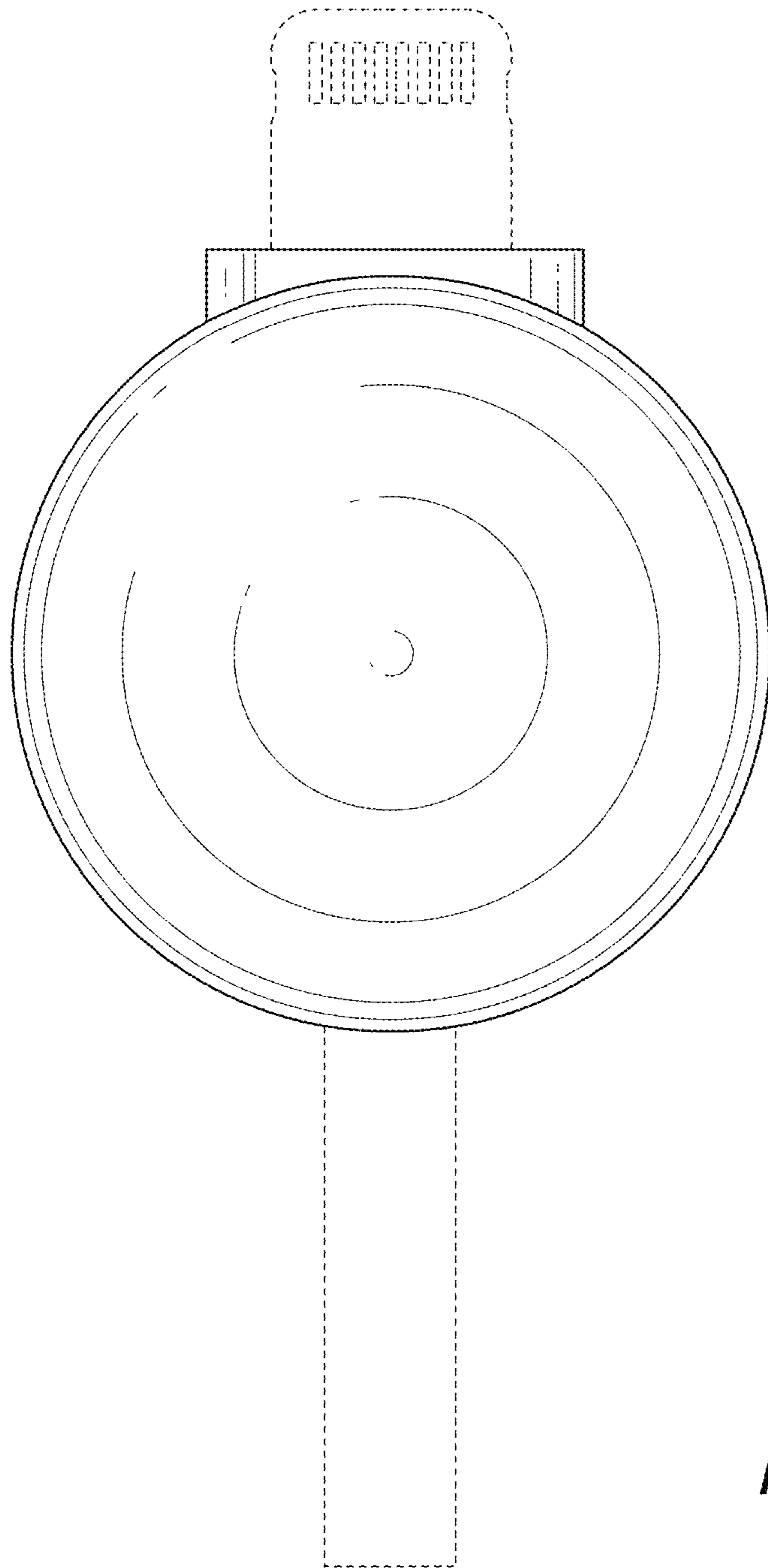
*FIG. 8*



**FIG. 9**

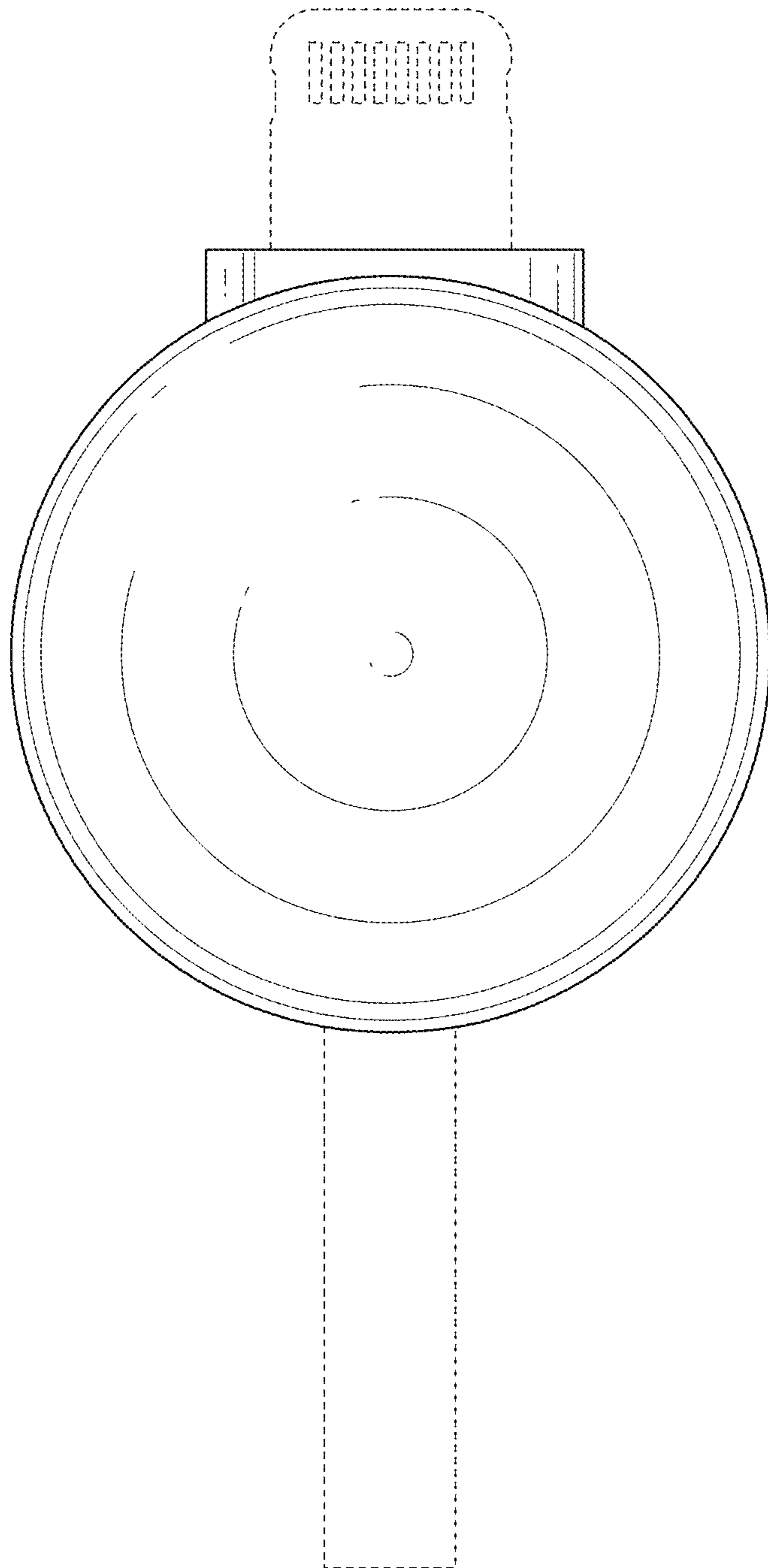


**FIG. 10**

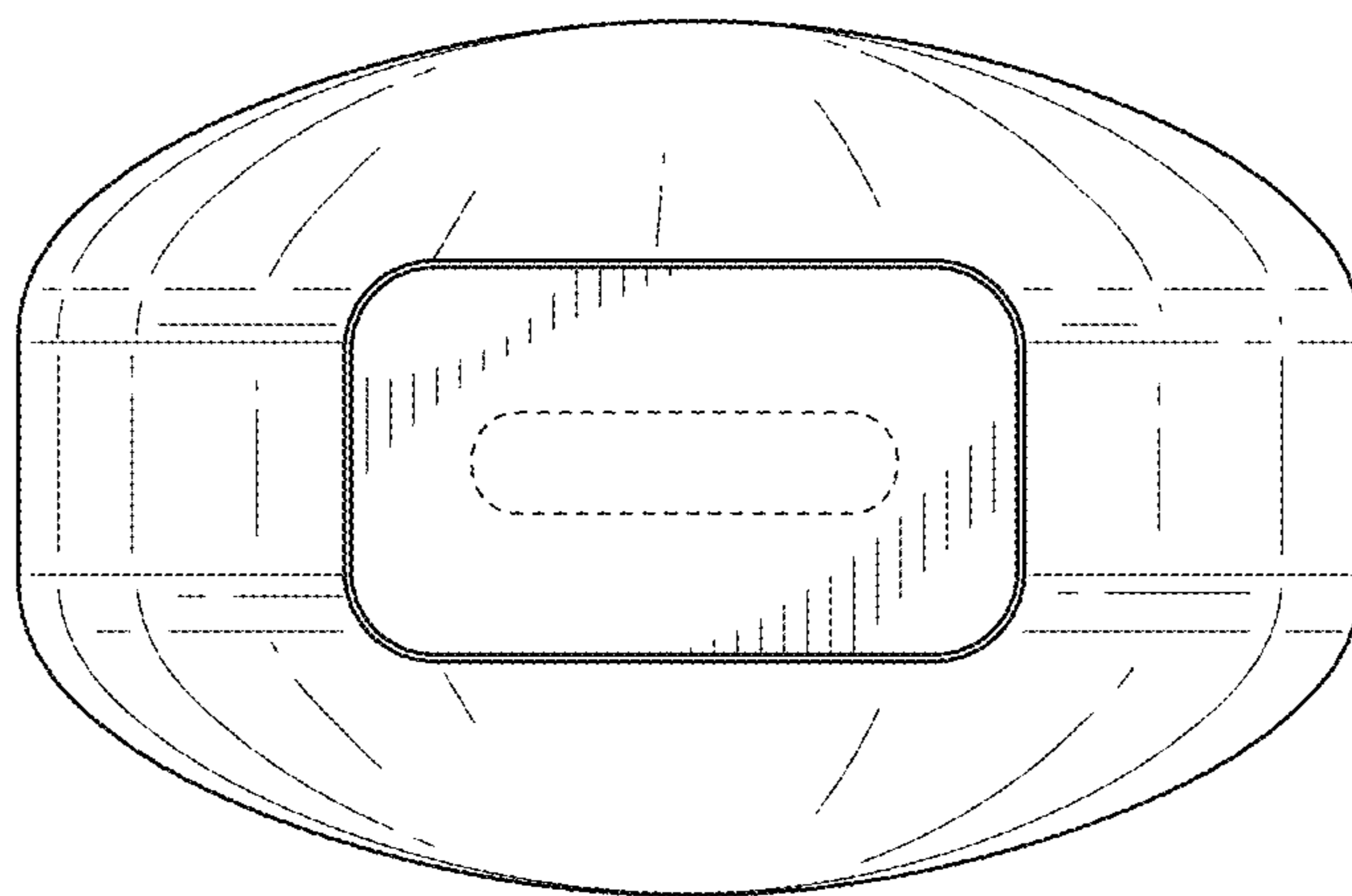


**FIG. 11**

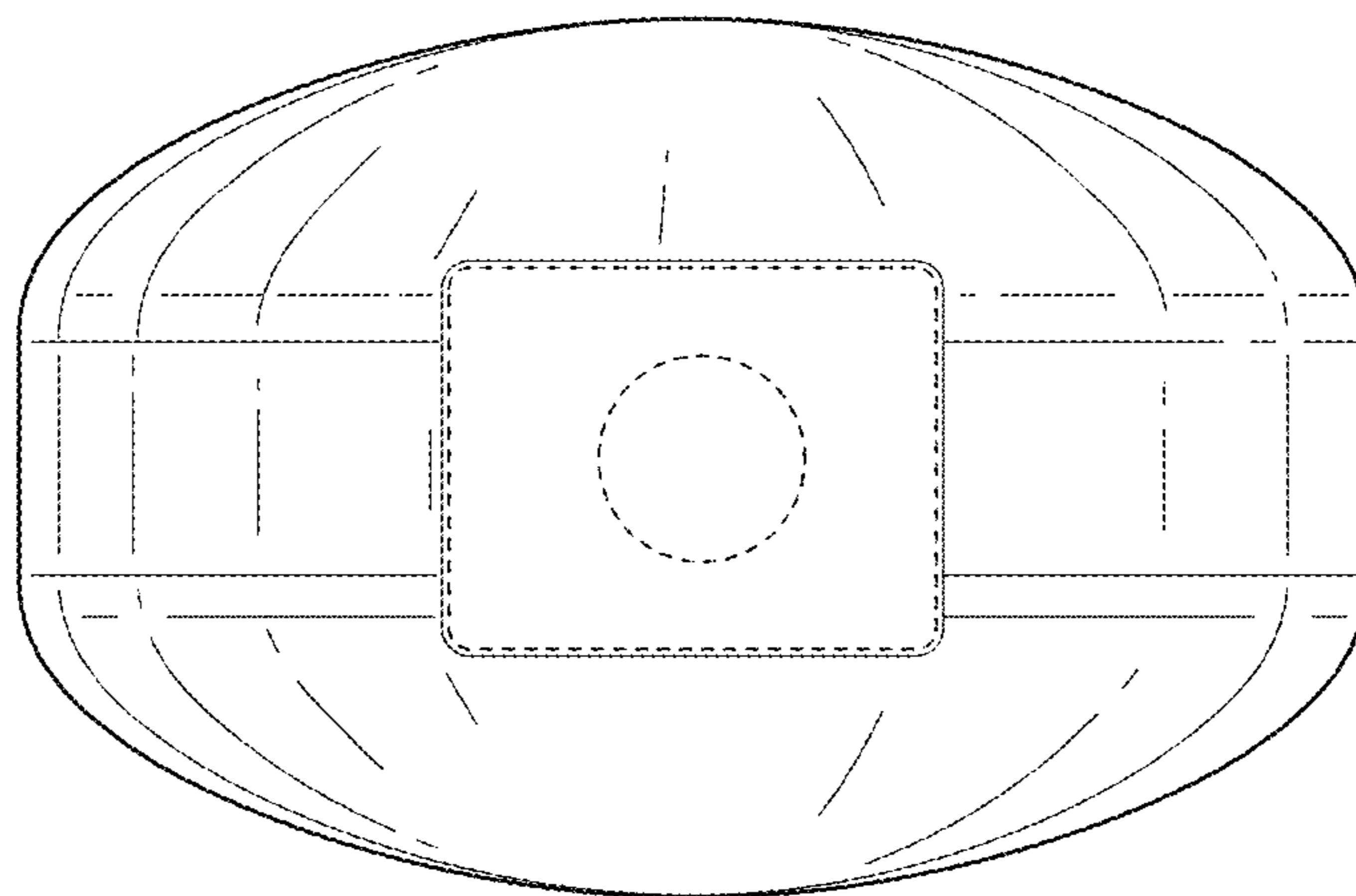




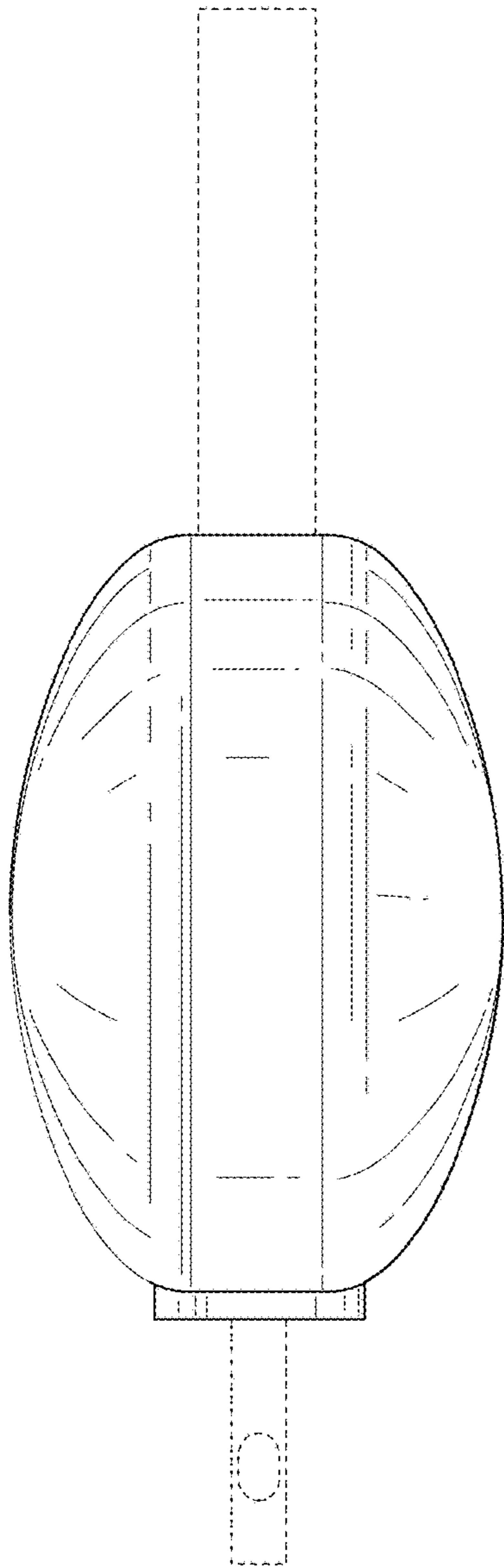
**FIG. 12**



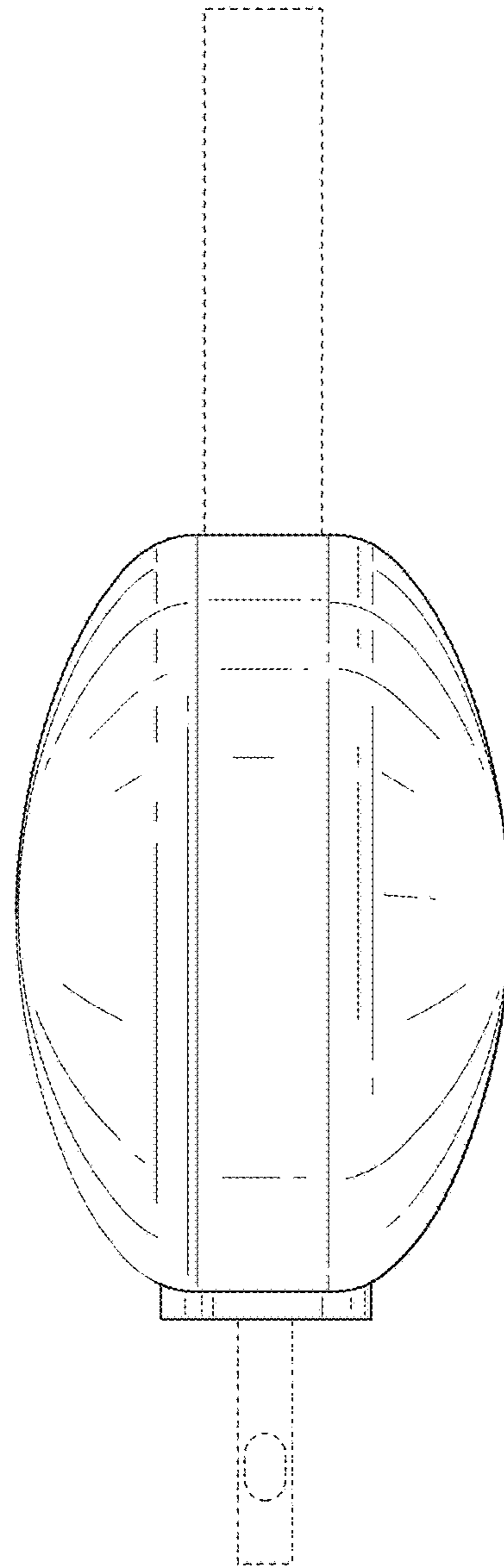
**FIG. 13**



**FIG. 14**



*FIG. 15*



*FIG. 16*