



US00D829666S

(12) **United States Design Patent** (10) **Patent No.:** **US D829,666 S**
Sutter et al. (45) **Date of Patent:** **** Oct. 2, 2018**

(54) **MODULAR ELECTRICAL CONNECTOR**

(71) Applicant: **IDEAL Industries, Inc.**, Sycamore, IL (US)

(72) Inventors: **Robert W. Sutter**, DeKalb, IL (US);
Jeffrey Meader, Naperville, IL (US)

(73) Assignee: **IDEAL Industries, Inc.**, Sycamore, IL (US)

(**) Term: **15 Years**

(21) Appl. No.: **29/598,023**

(22) Filed: **Mar. 22, 2017**

(51) **LOC (11) Cl.** **13-03**

(52) **U.S. Cl.**
USPC **D13/147**

(58) **Field of Classification Search**
USPC D13/123, 133, 146, 147, 154, 184, 199
CPC H01R 12/51; H01R 12/52; H01R 12/57;
H01R 12/592; H01R 12/61; H01R 12/63;
H01R 12/7005; H01R 12/716; H01R 12/72;
H01R 12/732; H01R 12/777; H01R 12/79;
H01R 12/87; H01R 12/89; H01R 13/213;
H01R 13/2464; H01R 13/2492; H01R 13/26;
H01R 13/28; H01R 13/428; H01R 13/434; H01R 13/4362;
H01R 13/4534; H01R 13/506; H01R 13/508;
H01R 13/5804; H01R 13/5816; H01R 13/585;
H01R 13/6271; H01R 13/635

See application file for complete search history.

(56) **References Cited**

U.S. PATENT DOCUMENTS

D260,513 S * 9/1981 Comstock D13/126
D304,027 S * 10/1989 Matsuzaki D13/147
D304,028 S * 10/1989 Matsuzaki D13/147
D399,047 S * 10/1998 Yoshida D13/147

D603,796 S * 11/2009 Sticker D13/147
D637,971 S * 5/2011 Canning D13/154
D768,083 S * 10/2016 Zhou D13/147
D768,574 S * 10/2016 Zhou D13/147
D815,601 S * 4/2018 Tsay D13/147
2015/0293317 A1* 10/2015 Kim G02B 6/423
385/89

FOREIGN PATENT DOCUMENTS

TW D157582 12/2013
TW D159820 4/2014

OTHER PUBLICATIONS

TIPO, Office Action issued on Taiwan Design Application No. 106305344, dated Apr. 27, 2018, 3 pages.

(Continued)

Primary Examiner — Daniel Bui

(74) *Attorney, Agent, or Firm* — Greenberg Traurig, LLP

(57) **CLAIM**

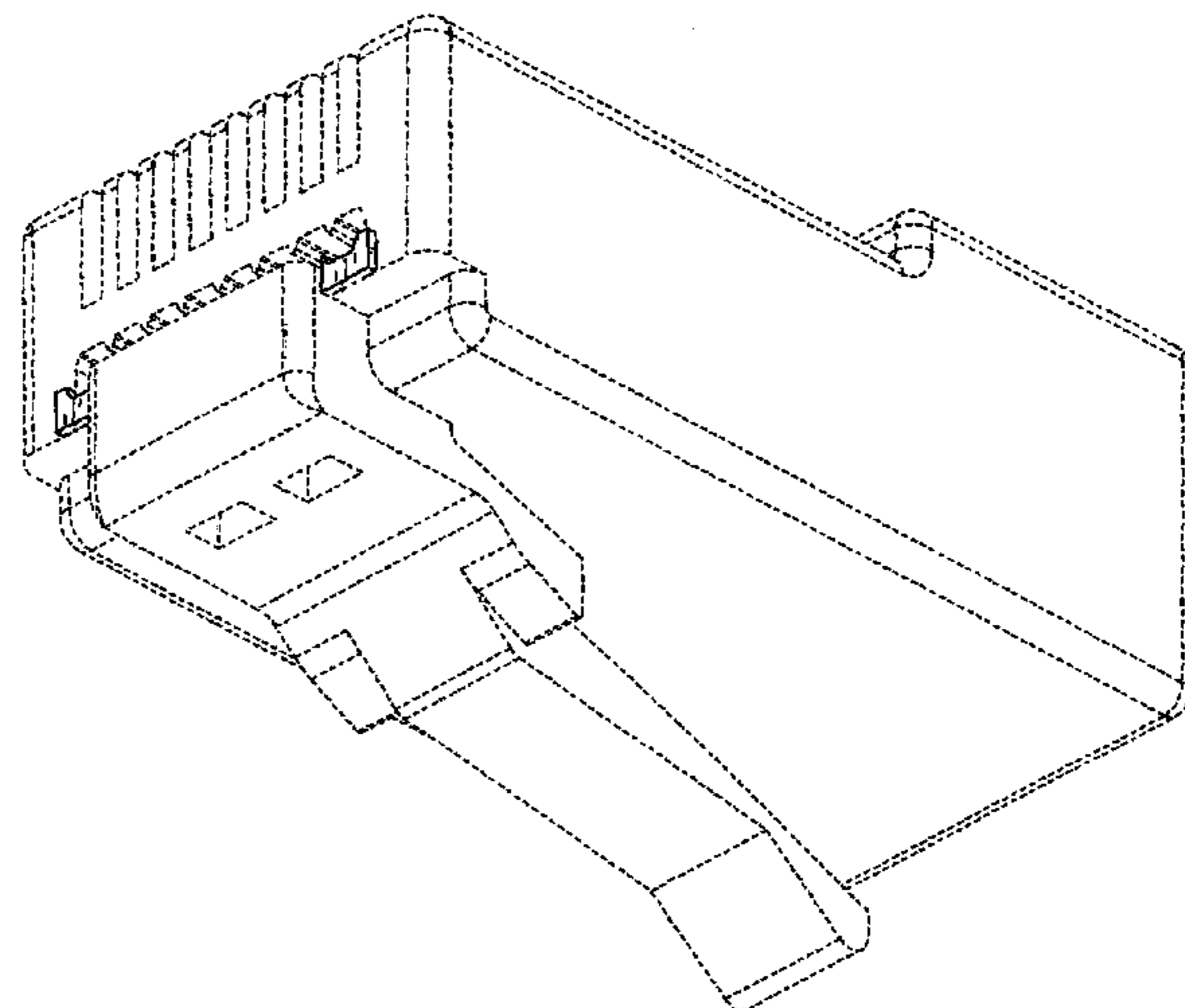
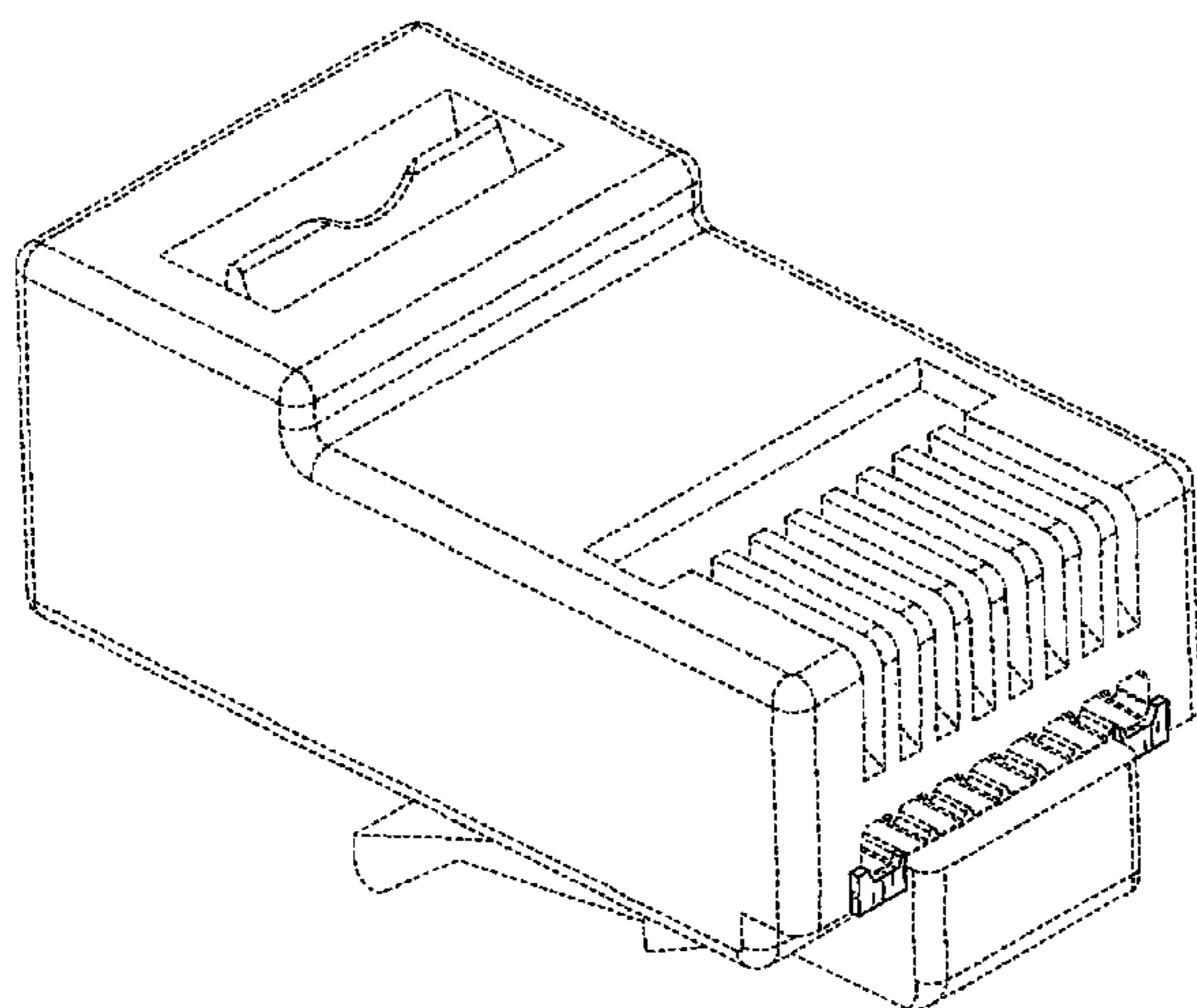
The ornamental design for a modular electrical connector, as shown and described.

DESCRIPTION

FIG. 1 is a top, front perspective view of a modular electrical connector showing our new design;
FIG. 2 is a bottom, front perspective view thereof;
FIG. 3 is a front side elevational view thereof;
FIG. 4 is a rear side elevational view thereof;
FIG. 5 is a left side elevational view thereof;
FIG. 6 is a right side elevational view thereof;
FIG. 7 is a top plan view thereof; and,
FIG. 8 is a bottom plan view thereof.

The broken line in the drawing views represents unclaimed portions of the modular electrical connector only and forms no part of the claimed design. The dash-dot line represents the boundary of the claimed design.

1 Claim, 8 Drawing Sheets



(56)

References Cited

OTHER PUBLICATIONS

TIPO, Office Action issued on Taiwan Design Application No. 106305343, dated May 14, 2018, 3 pages.

TIPO, Office Action issued on Taiwan Design Application No. 106305345, dated May 2, 2018, 5 pages.

TIPO, Office Action issued on Taiwan Design Application No. 106305346, dated Apr. 27, 2018, 3 pages.

TIPO, Office Action issued on Taiwan Design Application No. 106305347, dated May 2, 2018, 5 pages.

* cited by examiner

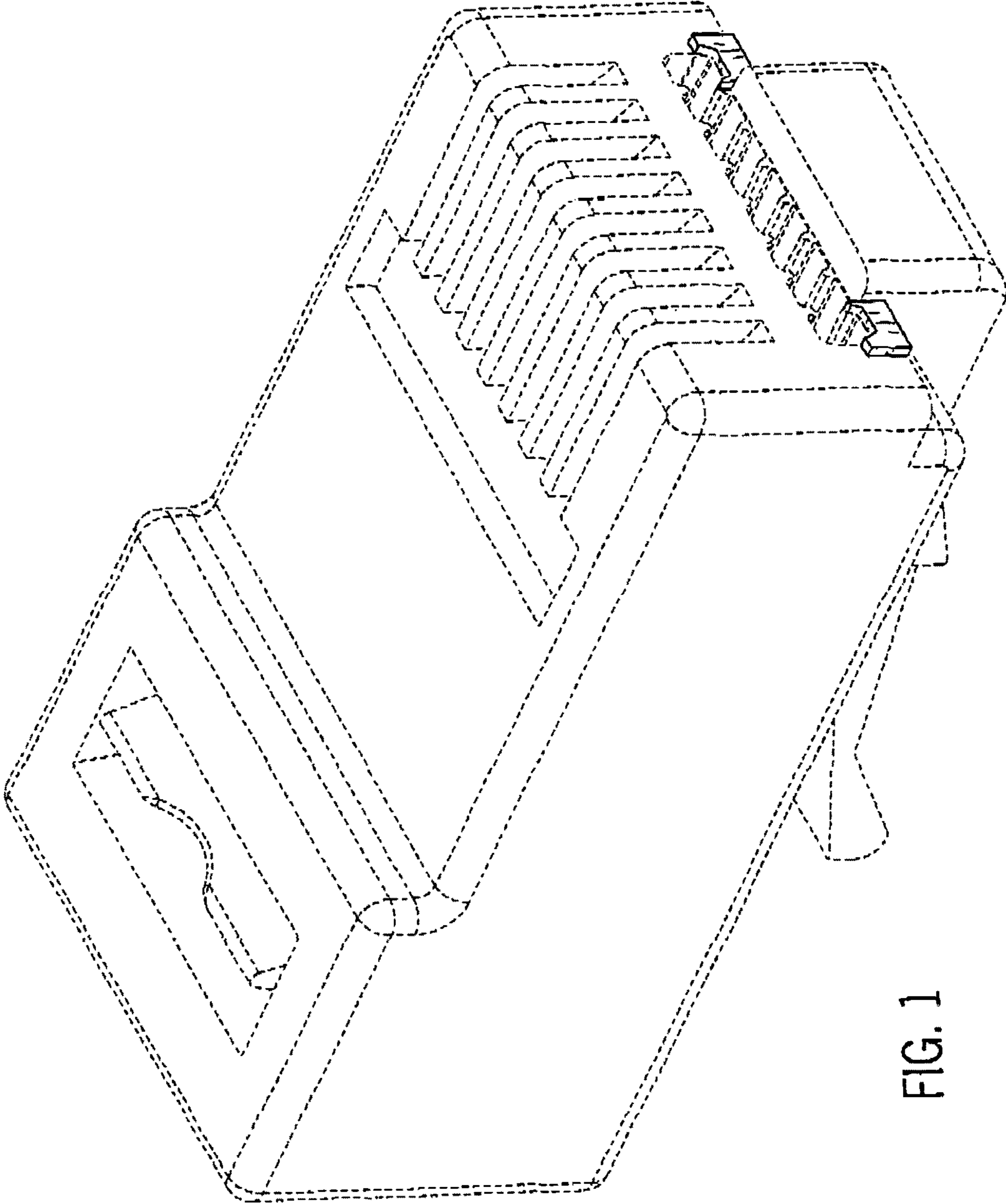


FIG. 1

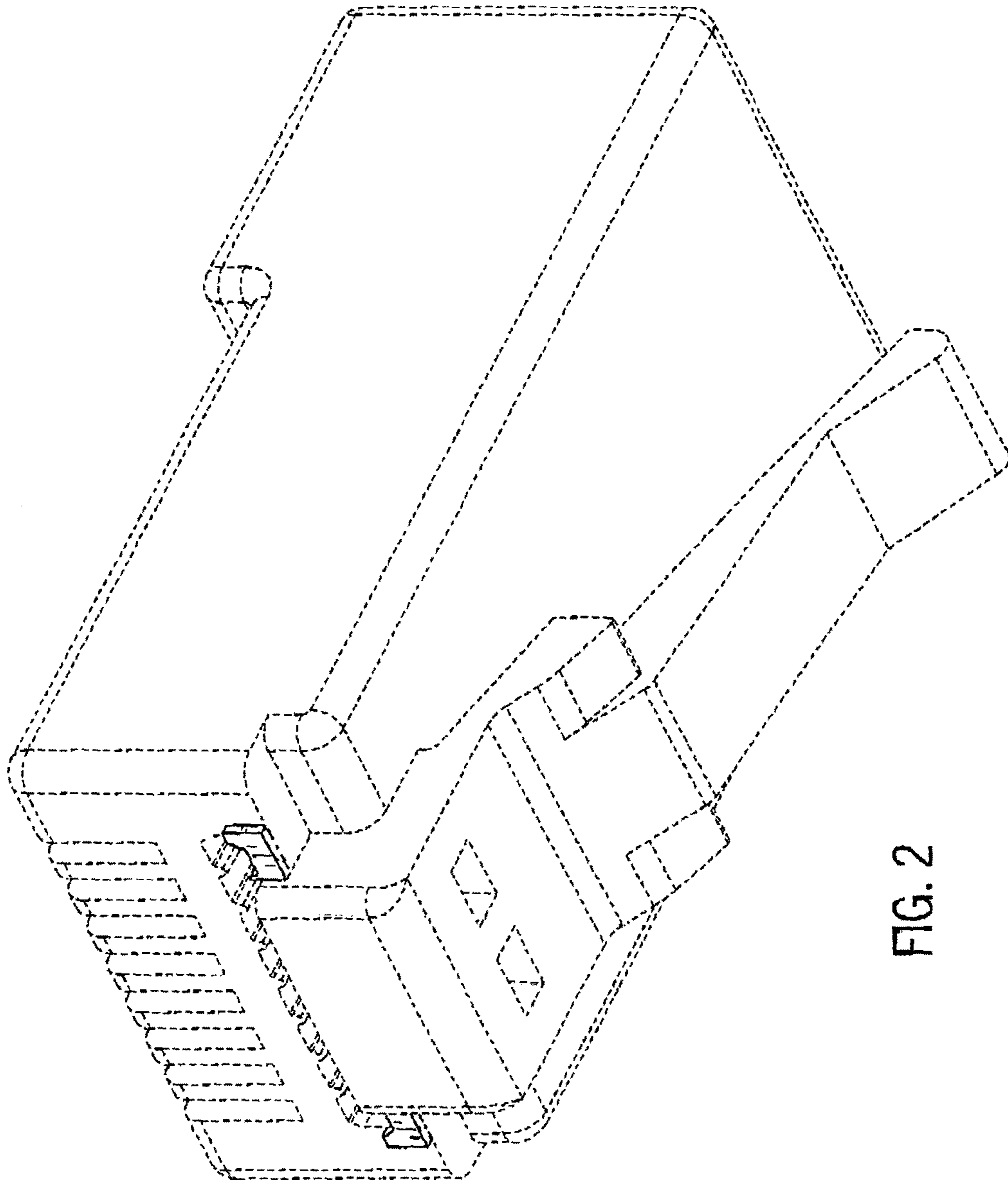


FIG. 2

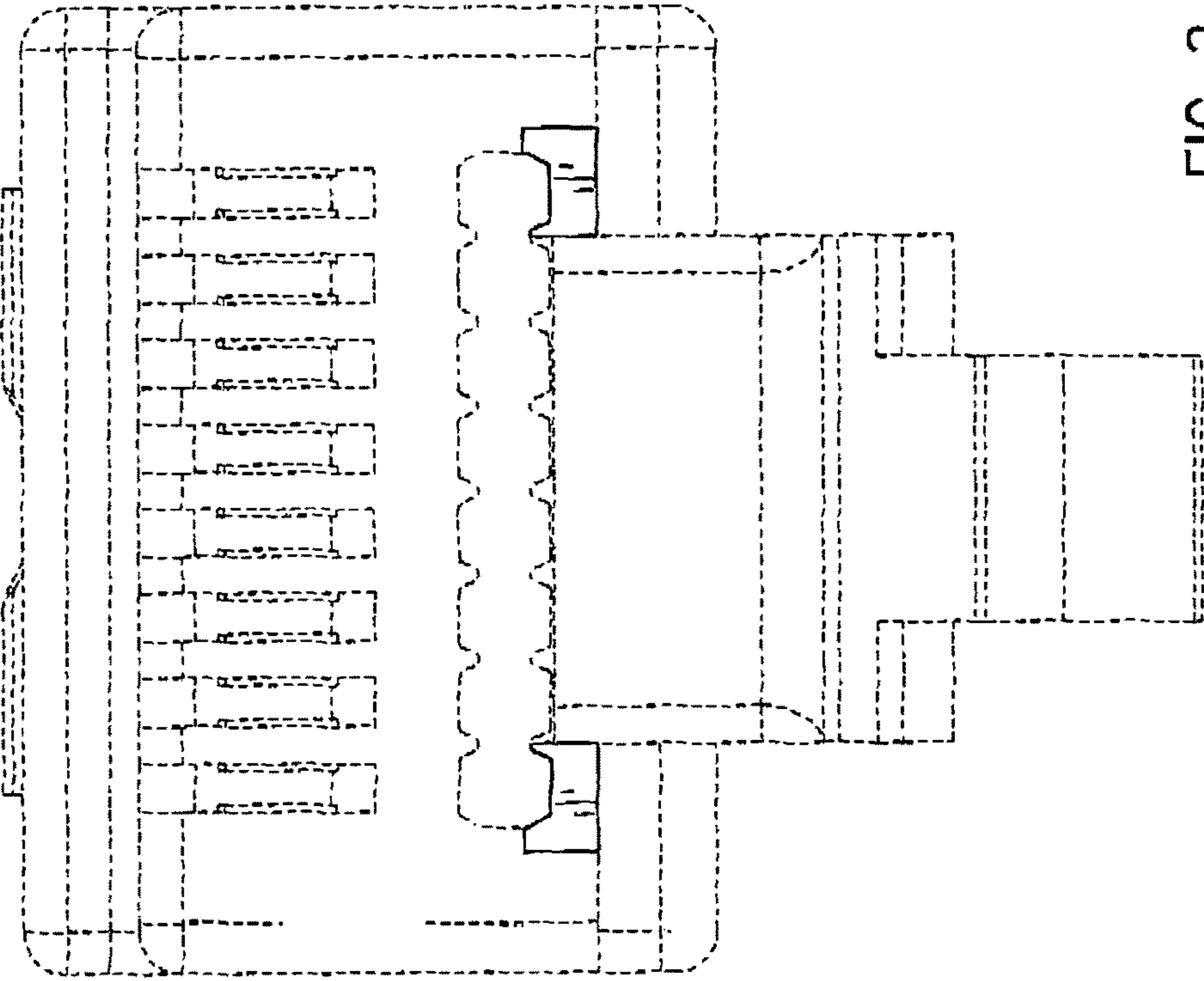


FIG. 3

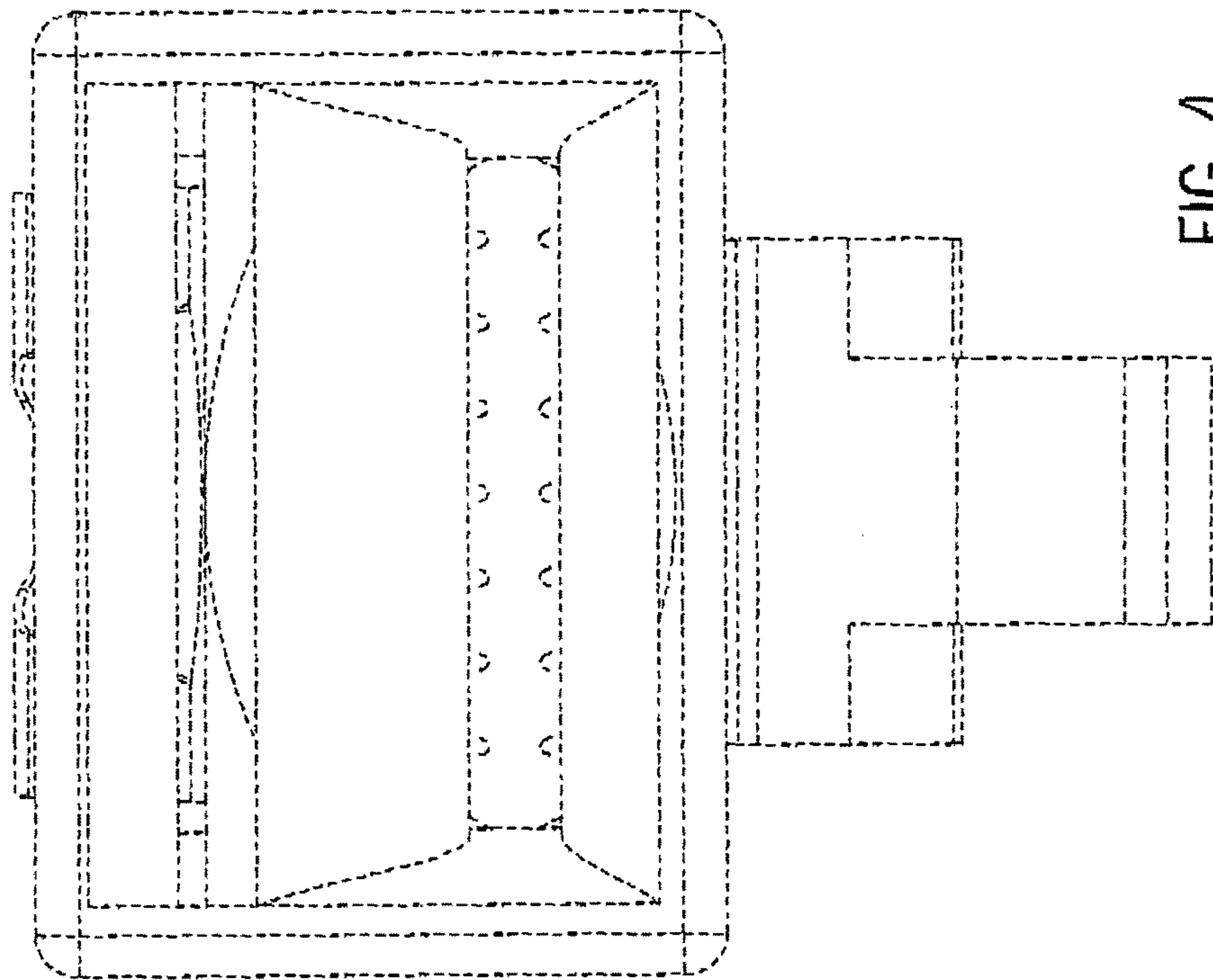


FIG. 4

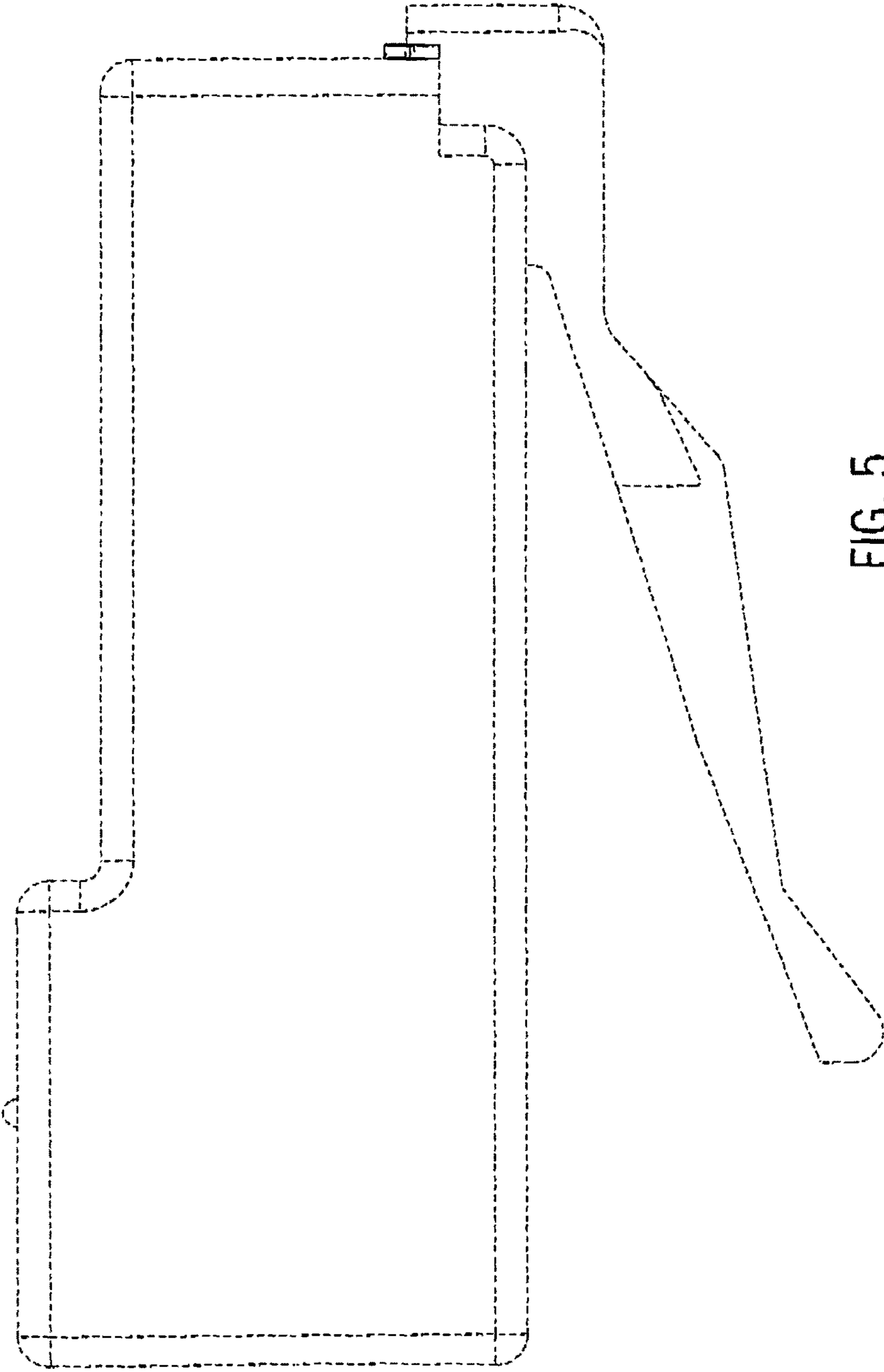


FIG. 5

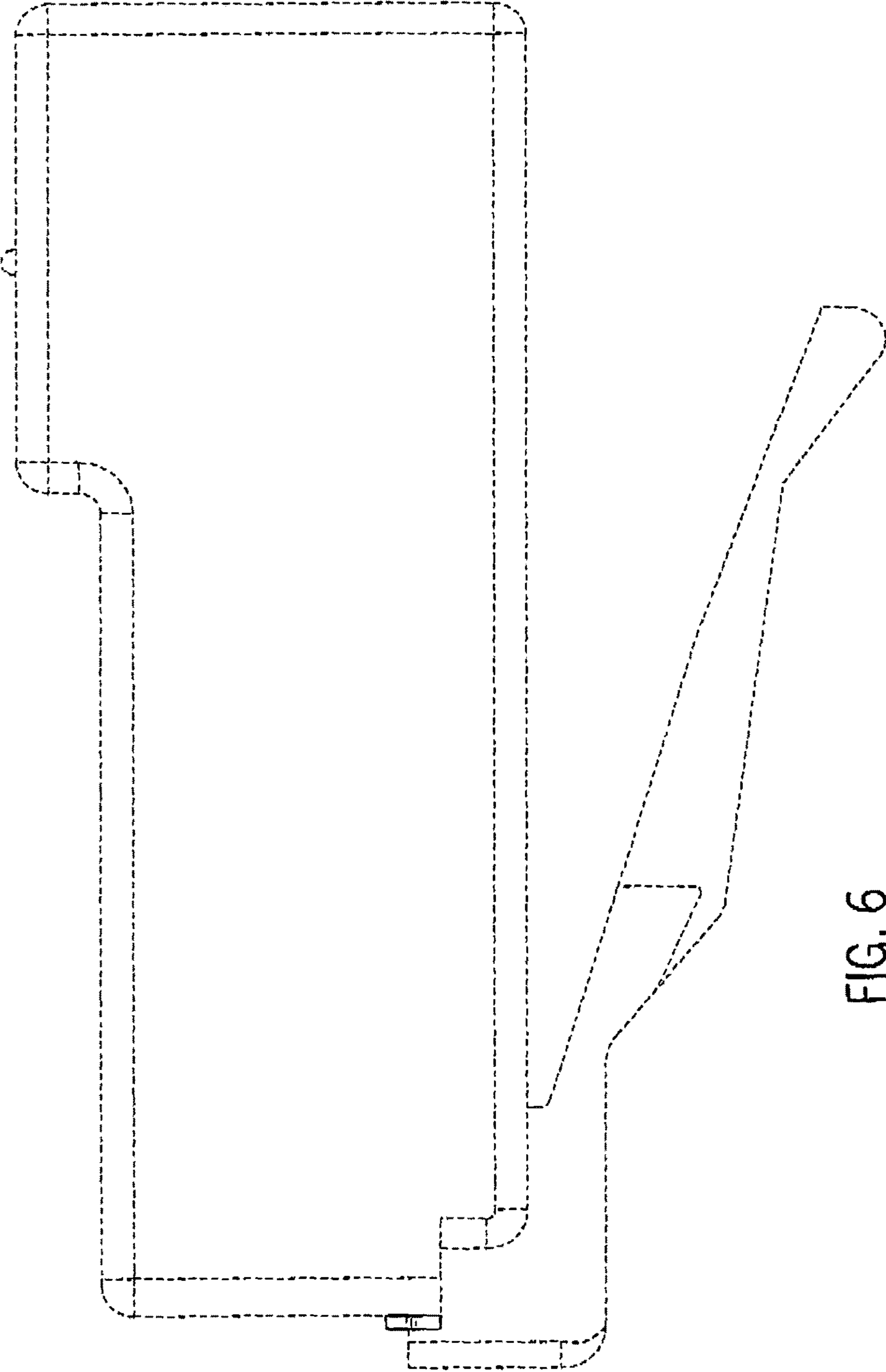


FIG. 6

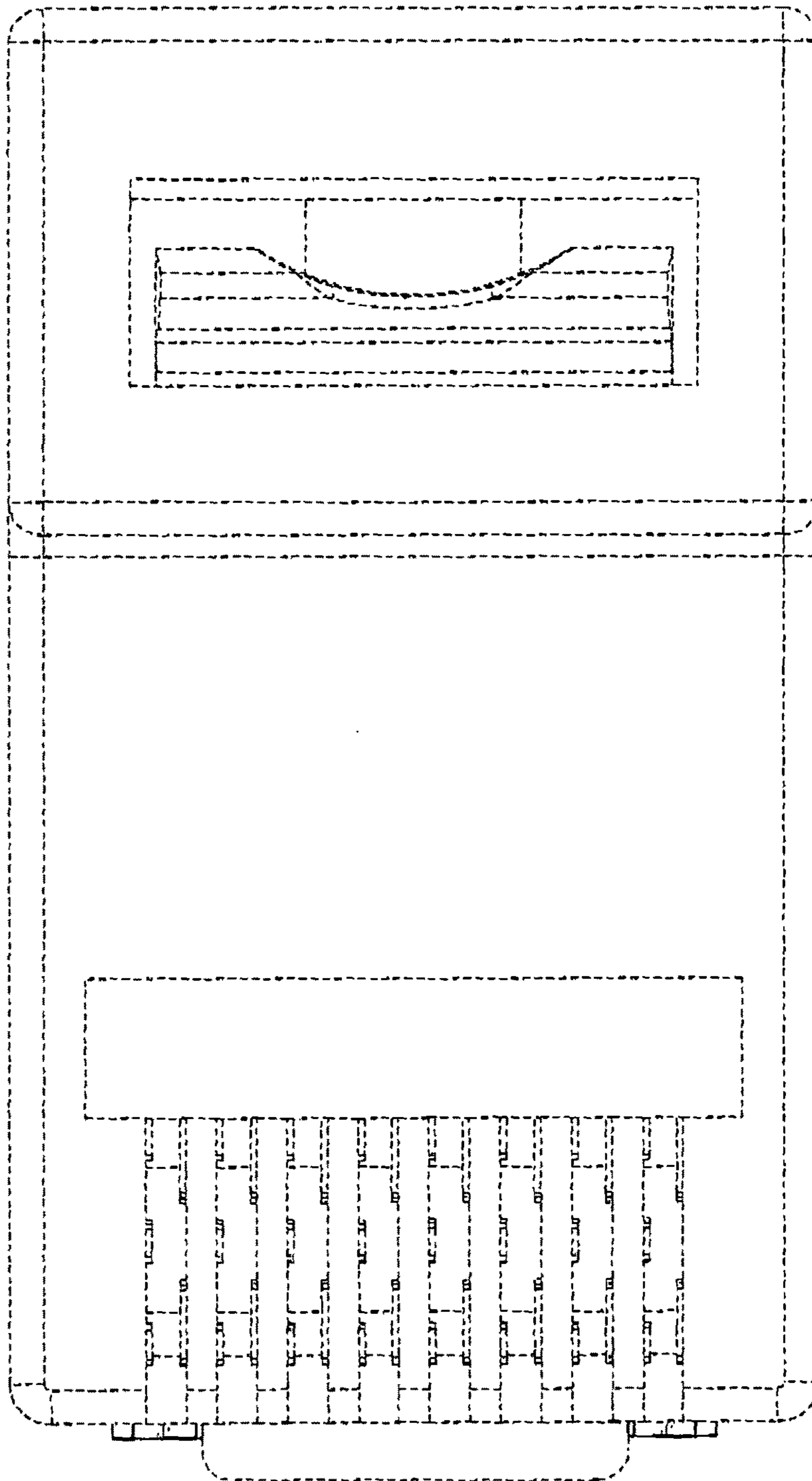


FIG. 7

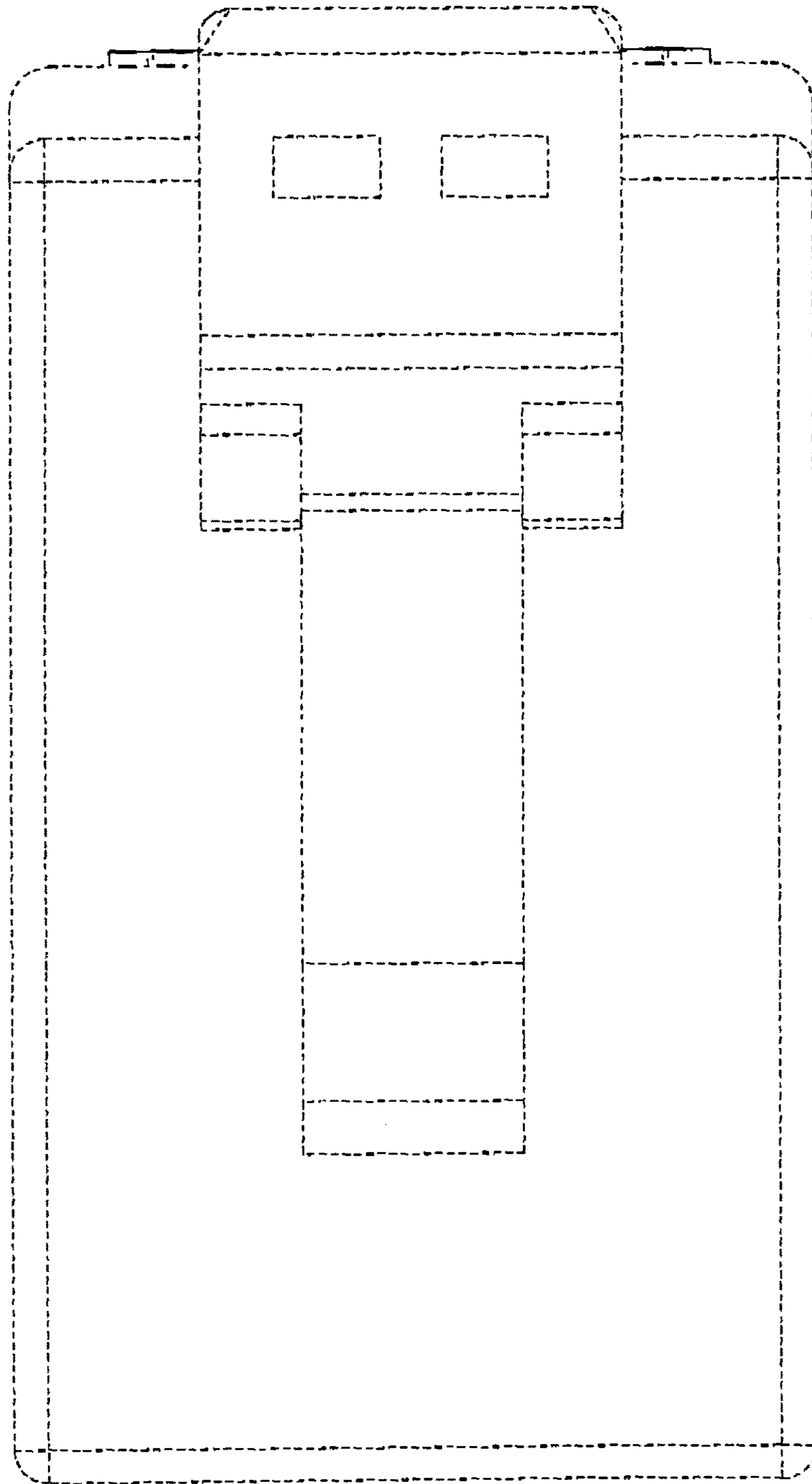


FIG. 8