



US00D829665S

(12) **United States Design Patent**
Zhu

(10) **Patent No.:** **US D829,665 S**

(45) **Date of Patent:** **** Oct. 2, 2018**

(54) **RV POWER INLET WITH ILLUMINATION**

(71) Applicant: **ZH Brothers International, Inc.**,
Mishawaka, IN (US)

(72) Inventor: **Guoqiang "Aston" Zhu**, Mishawaka,
IN (US)

(**) Term: **15 Years**

(21) Appl. No.: **29/618,990**

(22) Filed: **Sep. 26, 2017**

(51) **LOC (11) Cl.** **13-03**

(52) **U.S. Cl.**
USPC **D13/144**

(58) **Field of Classification Search**
USPC D13/108, 110, 123, 133, 137.1-137.4,
D13/138.1-138.2, 139.1-139.8, 152-154,
D13/146, 147, 156, 158, 177;
D8/350-353; D14/433
CPC H01R 13/04; H01R 25/00; H01R 25/006;
H01R 11/00; H01R 9/00; H01R 13/44;
H01R 13/447; B60L 1/00
See application file for complete search history.

(56) **References Cited**

U.S. PATENT DOCUMENTS

4,058,358	A *	11/1977	Carlisle	H01R 13/447 220/242
5,573,412	A *	11/1996	Anthony	H01R 13/5213 220/242
5,588,853	A *	12/1996	Anthony	H01R 13/5213 220/375
D410,632	S *	6/1999	Deutsch	D13/156
5,980,278	A *	11/1999	Winkler	H01R 13/5219 439/142
D528,983	S *	9/2006	Solida	D13/133
D600,206	S *	9/2009	Ledbetter	D13/110
9,276,346	B1 *	3/2016	Czarnecki	H01R 13/447
D766,830	S *	9/2016	Parks	D13/133
D768,080	S *	10/2016	Parks	D13/133

D770,384	S *	11/2016	Zetterqvist	D13/133
D777,671	S *	1/2017	Ishiguro	D13/133
D783,535	S *	4/2017	Dobler	D13/133
D789,298	S *	6/2017	Dobler	D13/133
D803,158	S *	11/2017	Smajda	D13/138.1

(Continued)

OTHER PUBLICATIONS

Amazon.com: Epicord RV Power 50Amp Inlet. Published Nov. 18, 2016. Retrieved from the internet at <<https://www.amazon.com/Epicord-Power-50Amp-Square-Non-Metallic/dp/B01MYRH YHB/>>, Apr. 11, 2018. 1 page. (Year: 2016).*

(Continued)

Primary Examiner — Rosemary K Tarcza
Assistant Examiner — Christy M Nemeth
(74) *Attorney, Agent, or Firm* — Botkin & Hall, LLP

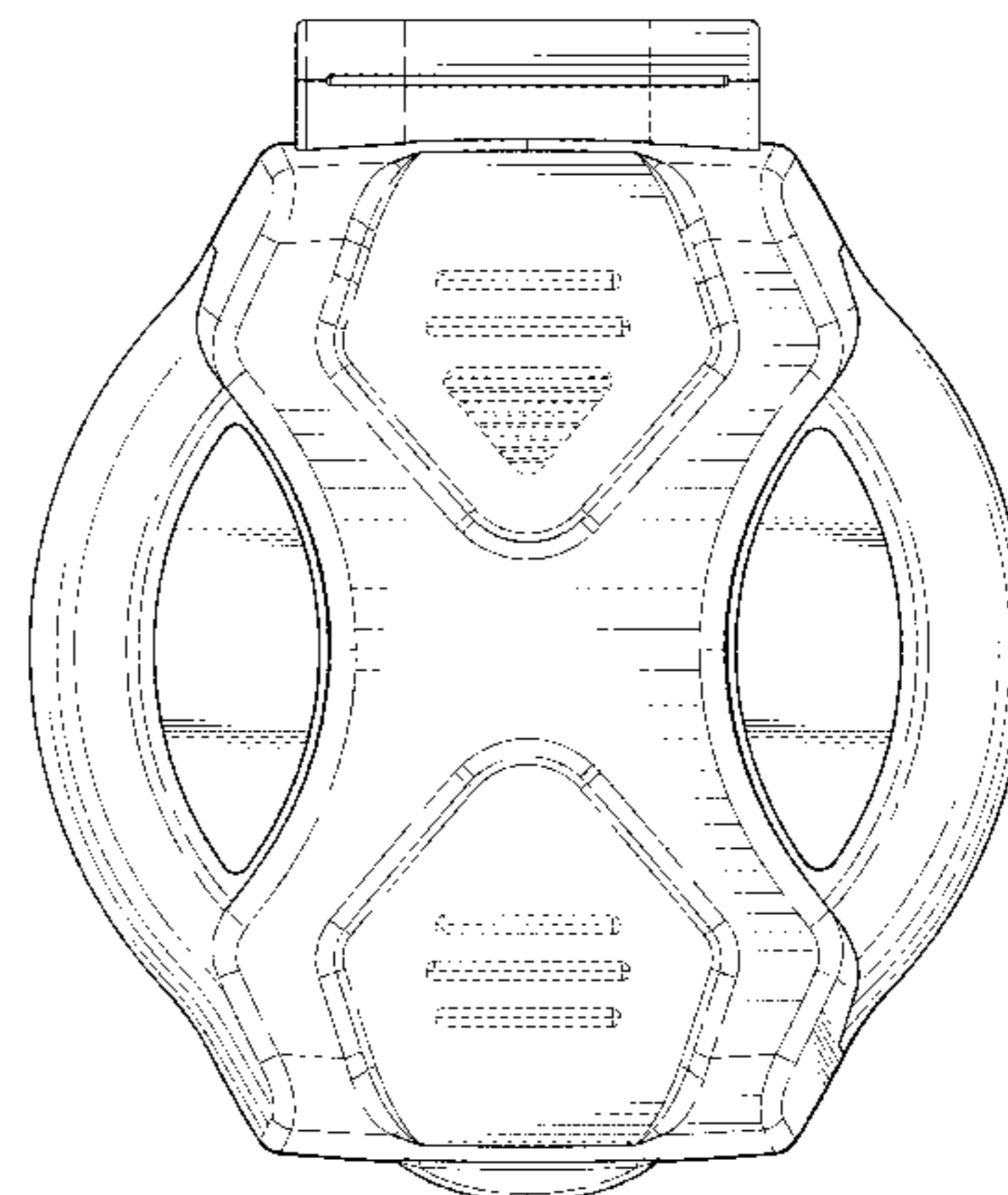
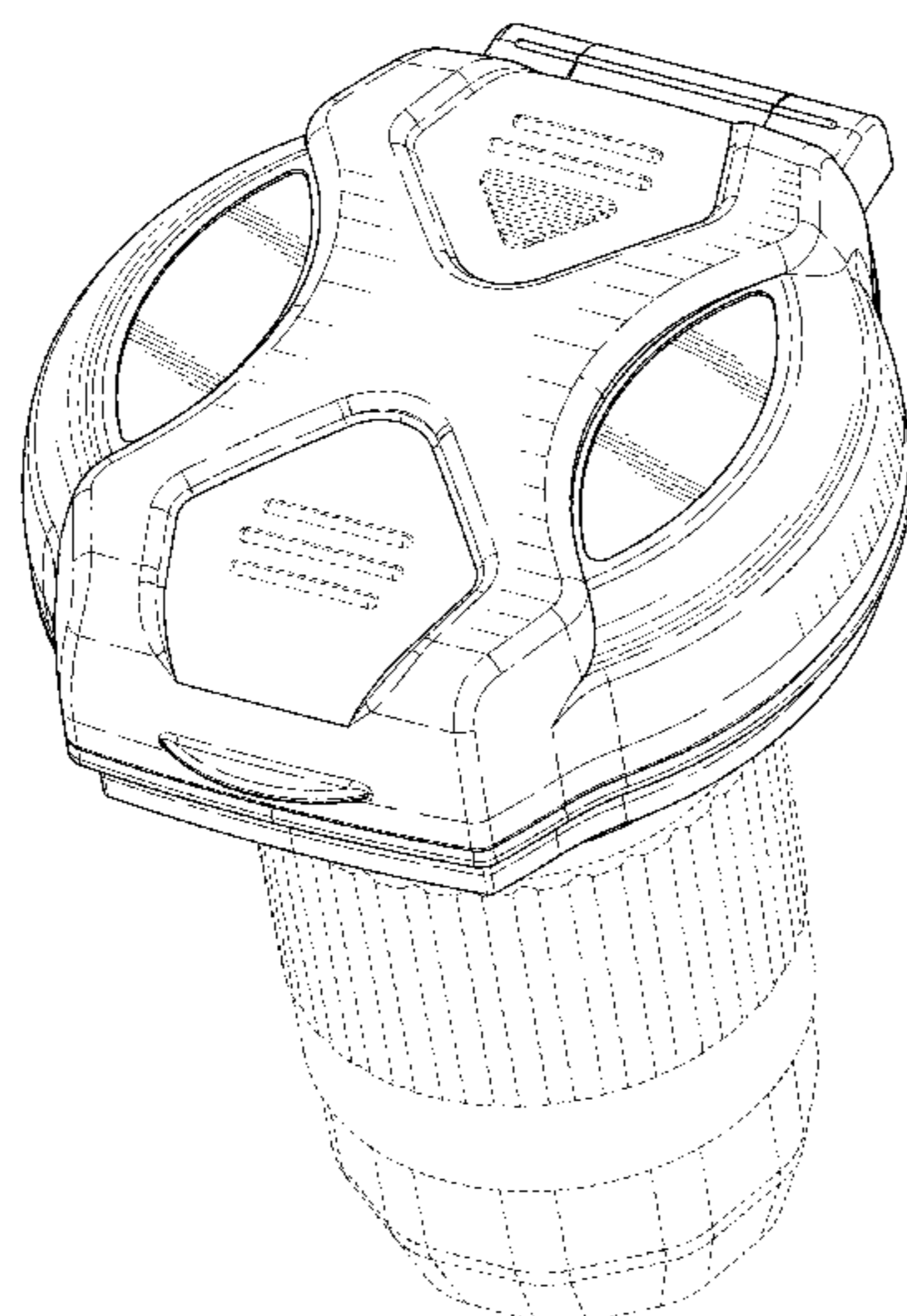
(57) **CLAIM**

The ornamental design for a RV power inlet with illumination, as shown and described.

DESCRIPTION

FIG. 1 is an isometric view of the RV power inlet with illumination;
FIG. 2 is a bottom side view of the RV power inlet with illumination of FIG. 1;
FIG. 3 is a right side view of the RV power inlet with illumination of FIG. 1;
FIG. 4 is a left side view of the RV power inlet with illumination of FIG. 1;
FIG. 5 is a front view of the RV power inlet with illumination of FIG. 1; and,
FIG. 6 is a rear view of the RV power inlet with illumination of FIG. 1.
The broken lines in the drawings are for the purpose of illustrating portions of the RV power inlet with illumination that form no part of the claimed design.

1 Claim, 6 Drawing Sheets



(56)

References Cited

U.S. PATENT DOCUMENTS

2012/0295457 A1* 11/2012 Holland H01R 13/447
439/142
2012/0312577 A1* 12/2012 Carbone H02G 3/088
174/66
2014/0328076 A1* 11/2014 Firman, II H01R 13/6675
362/511
2017/0005430 A1* 1/2017 O'Neill H01R 13/447
2018/0043848 A1* 2/2018 Kawai B60R 16/03

OTHER PUBLICATIONS

Trademark Serial No. 86133320, Word Mark: Epicord, published for opposition Apr. 22, 2014, (Registrant) ZH Brothers International, Inc., Trademark Electronic Service System (TESS), available at tmsearch.uspto.gov. (Year: 2014).*

* cited by examiner

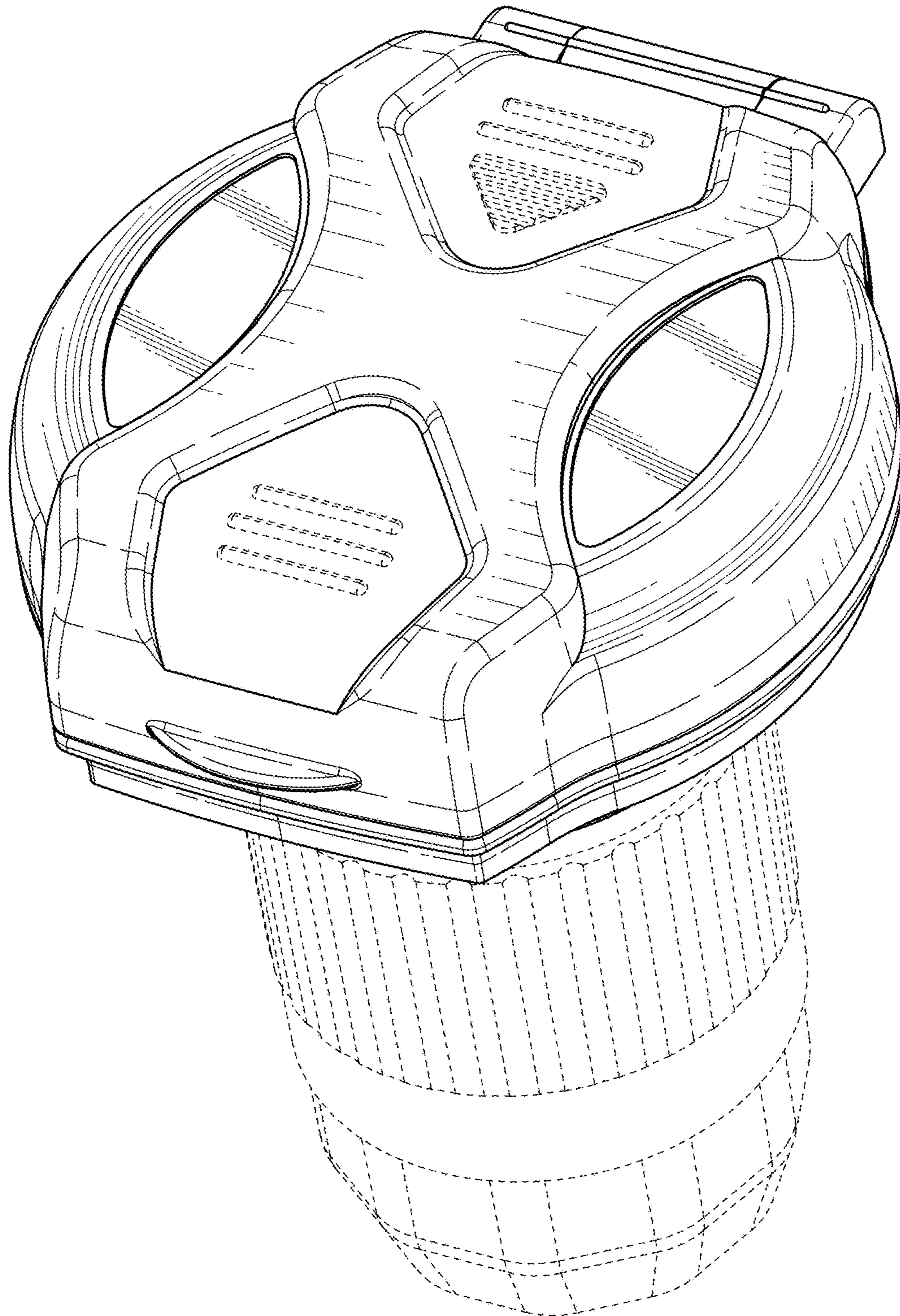


FIG. 1

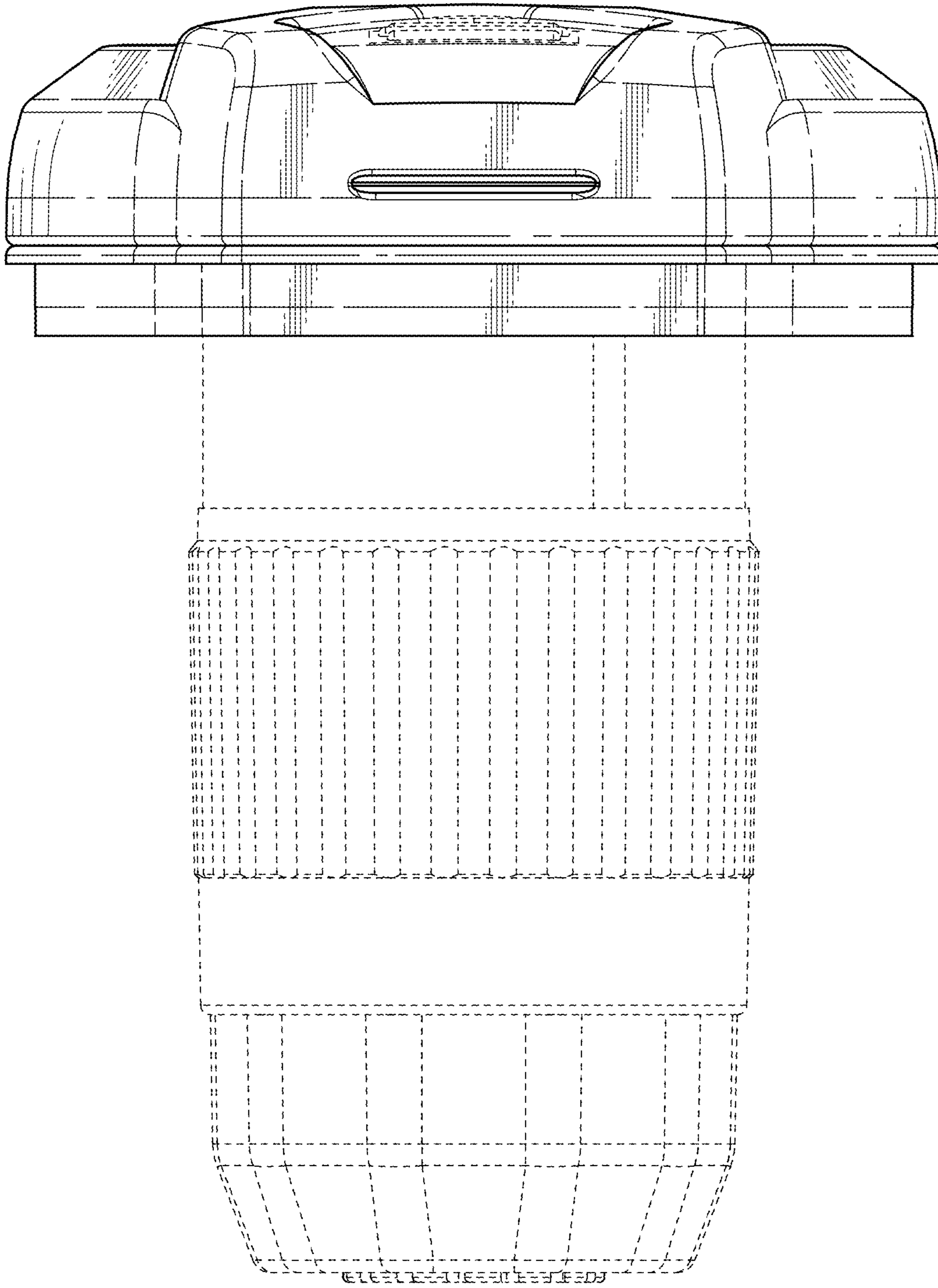


FIG. 2

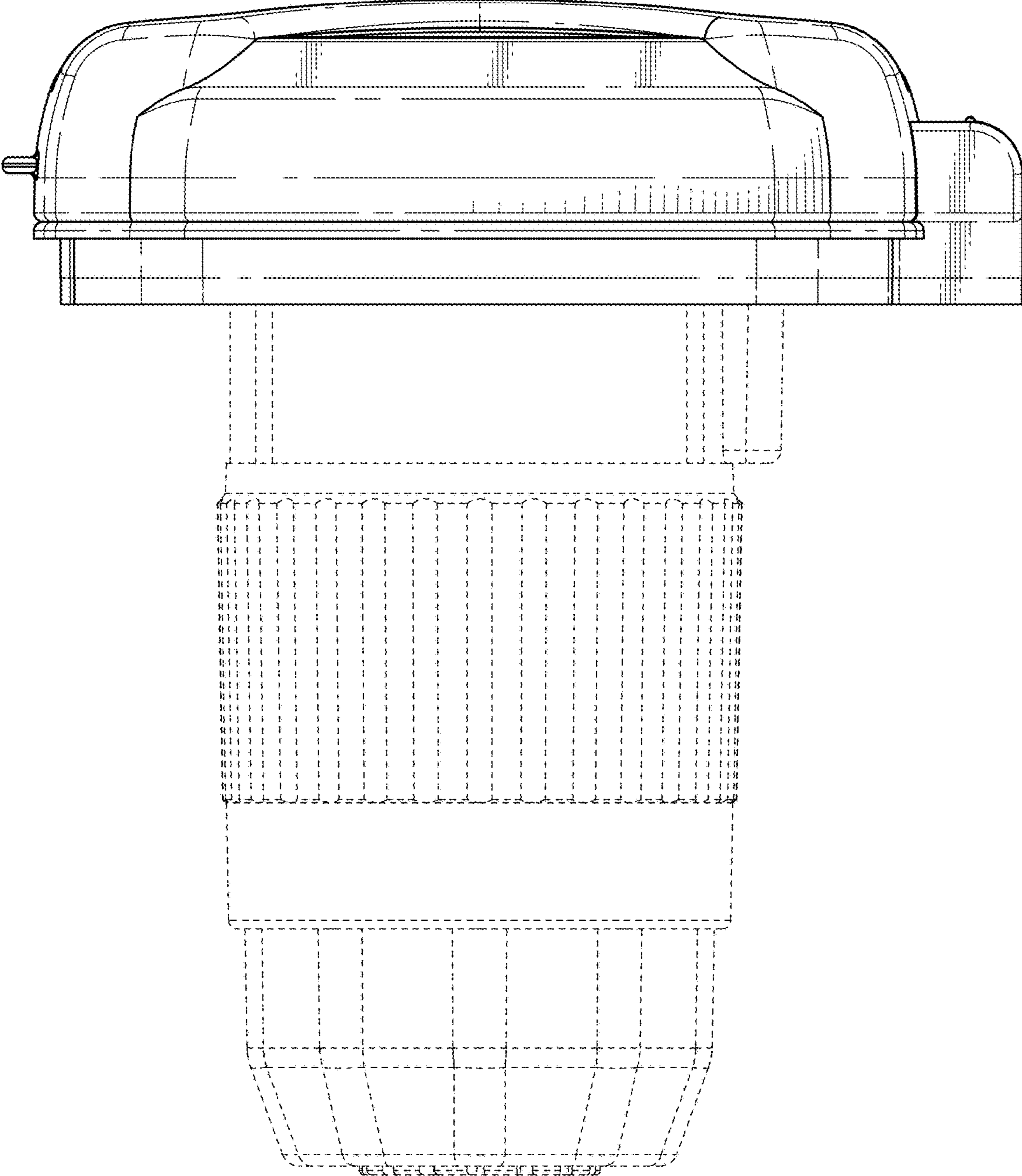


FIG. 3

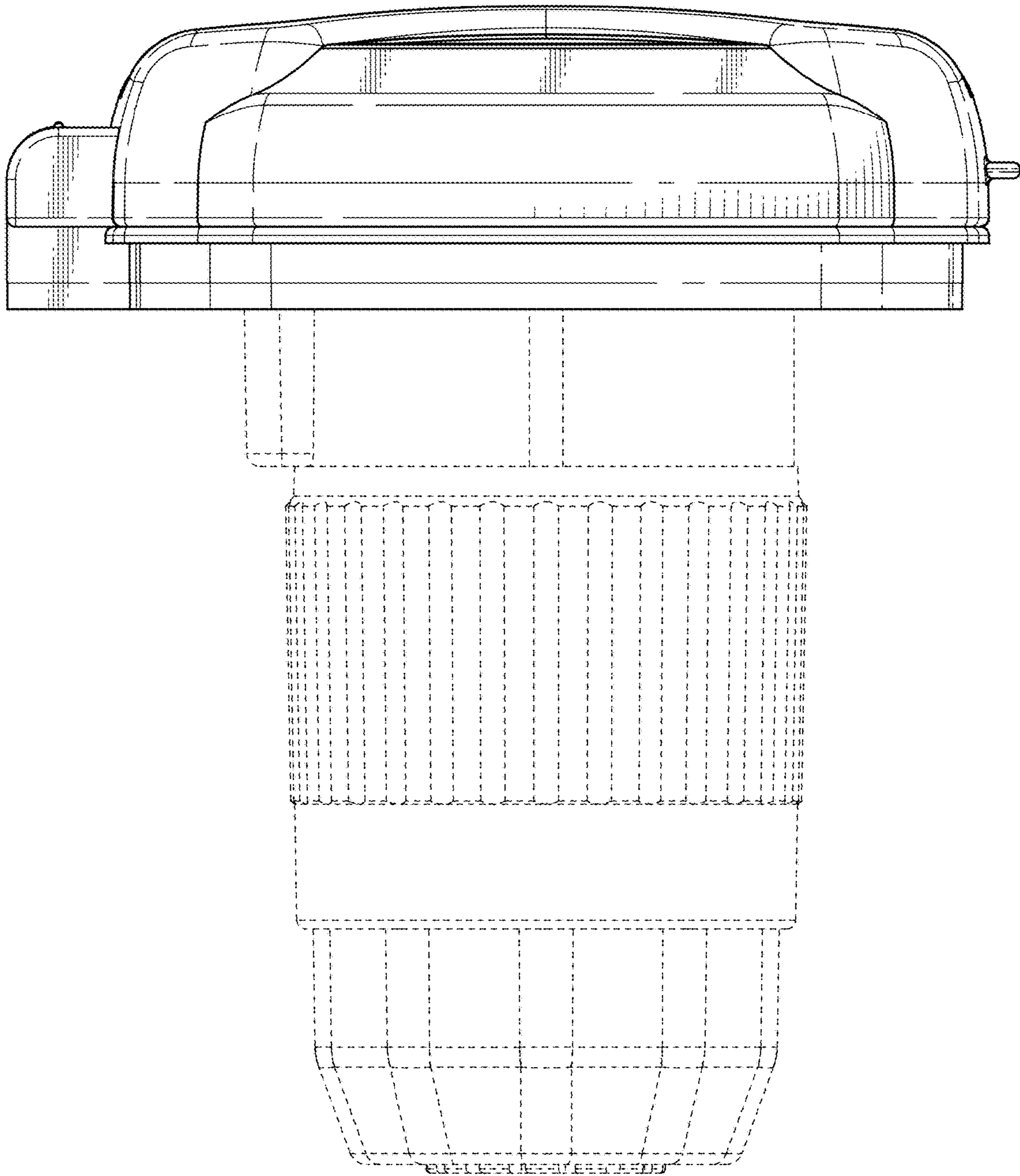


FIG. 4

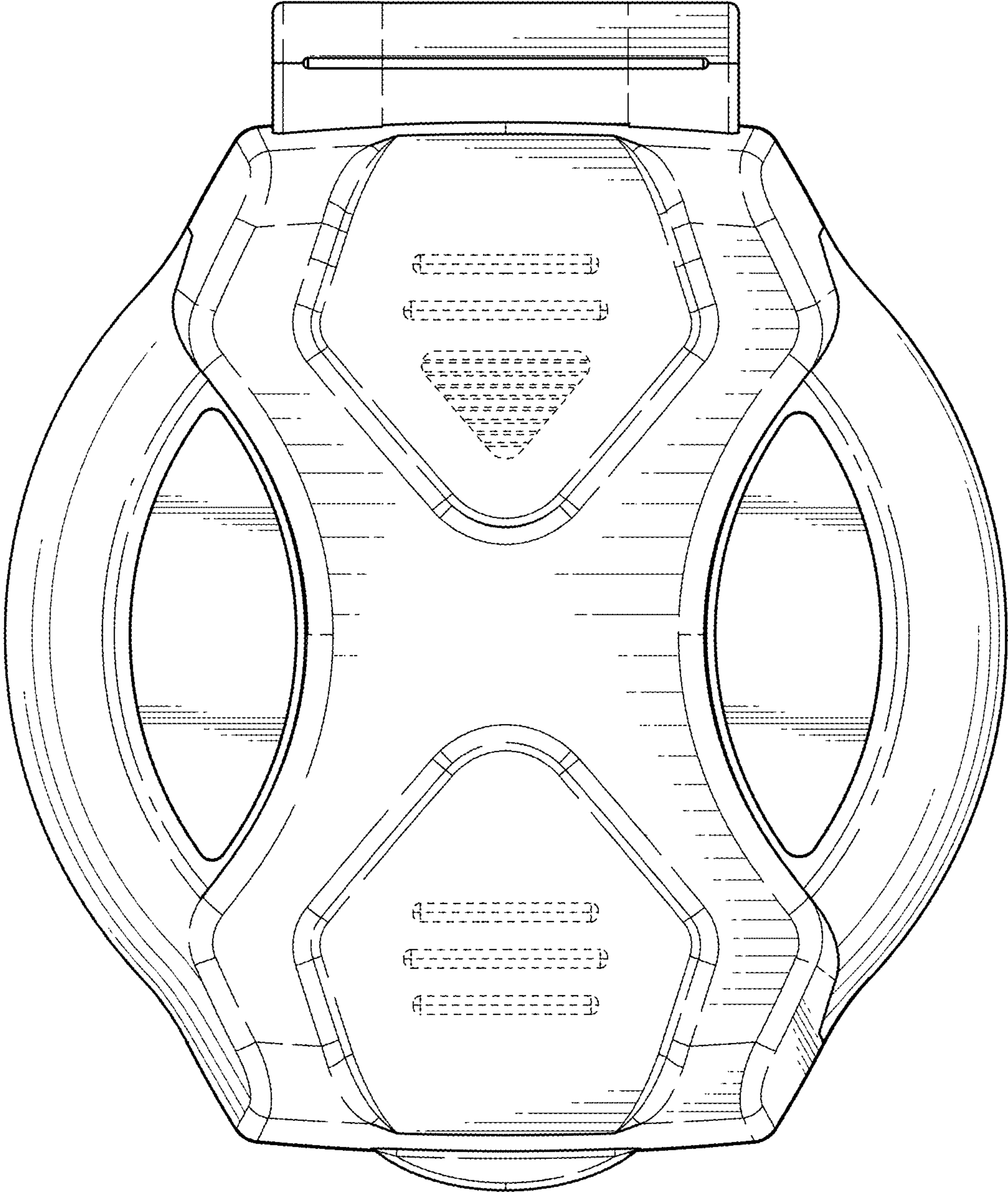


FIG. 5

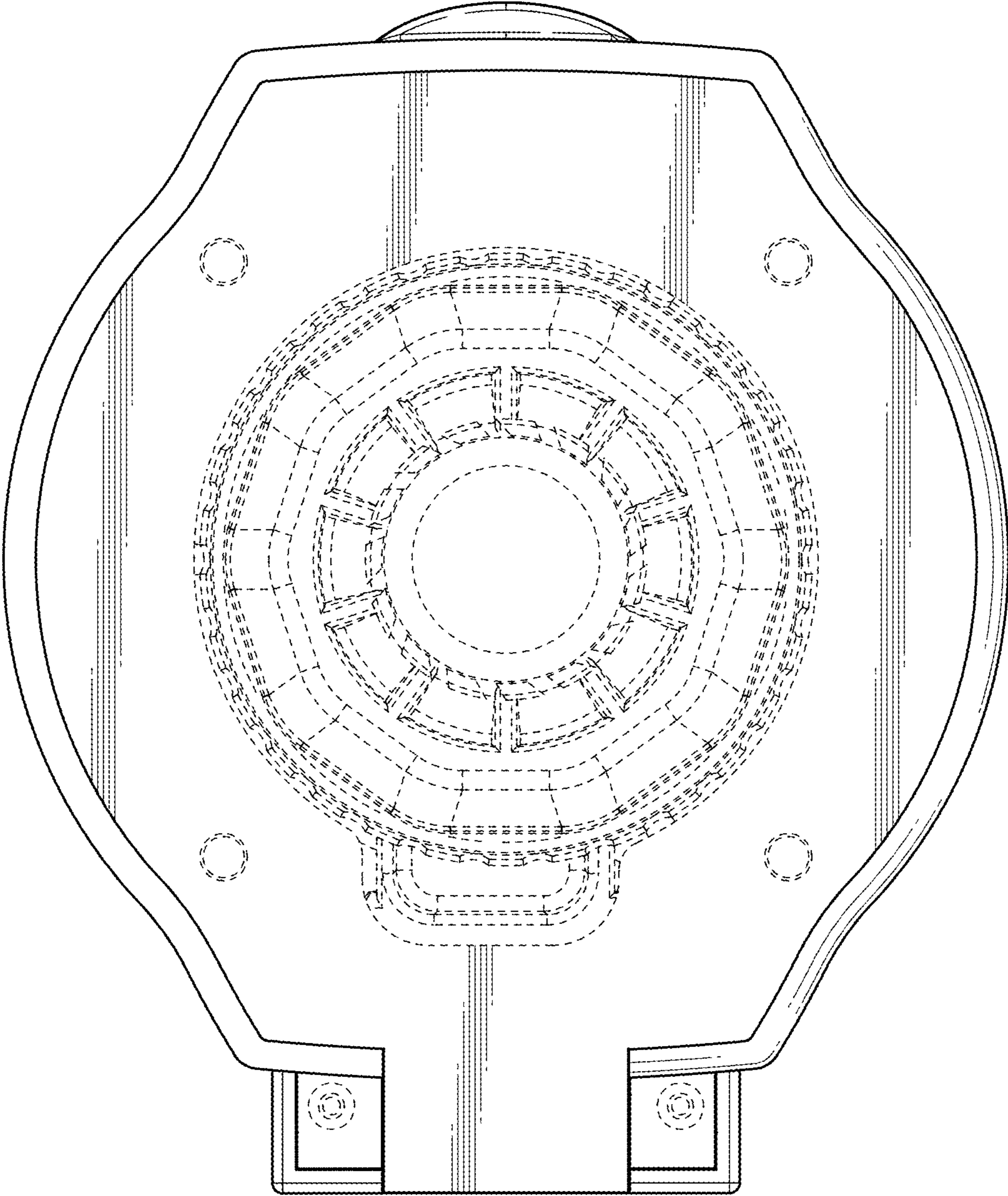


FIG. 6