



US00D829663S

(12) **United States Design Patent**
Liu

(10) **Patent No.:** **US D829,663 S**

(45) **Date of Patent:** **** Oct. 2, 2018**

(54) **ELECTRICAL SOCKET CONVERTER**

(71) Applicant: **Guangzhou Rimsea Technology Co., Ltd., Guangdong (CN)**

(72) Inventor: **Bingbin Liu, Guangdong (CN)**

(**) Term: **15 Years**

(21) Appl. No.: **29/607,954**

(22) Filed: **Jun. 18, 2017**

(51) **LOC (11) Cl.** **13-03**

(52) **U.S. Cl.**
USPC **D13/137.2**

(58) **Field of Classification Search**
USPC D13/108, 110, 123, 133, 137.1-137.4,
D13/138.1-138.2, 139.1-139.8, 152-154,
D13/146, 147, 156, 158; D14/433;
D8/350-353
CPC H01R 11/00; H01R 9/00; H01R 25/00;
H01R 25/006; H01R 13/11; H01R 24/76
See application file for complete search history.

(56) **References Cited**

U.S. PATENT DOCUMENTS

D623,595 S * 9/2010 Ruffner D13/110
D657,314 S * 4/2012 Ruffner D13/139.1
D664,094 S * 7/2012 Ruffner D13/138.2
D669,433 S * 10/2012 Lee D13/110
D700,144 S * 2/2014 Benedict D13/133
D702,639 S * 4/2014 Ruffner D13/110

D720,695 S * 1/2015 Shen D13/110
D741,265 S * 10/2015 Lee D13/137.2
D805,479 S * 12/2017 Lin D13/137.2
2015/0099380 A1 * 4/2015 Ruffner H01R 13/4534
439/137

* cited by examiner

Primary Examiner — Rosemary K Tarcza

Assistant Examiner — Christy M Nemeth

(74) *Attorney, Agent, or Firm* — Prakash Nama; Global IP Services, PLLC

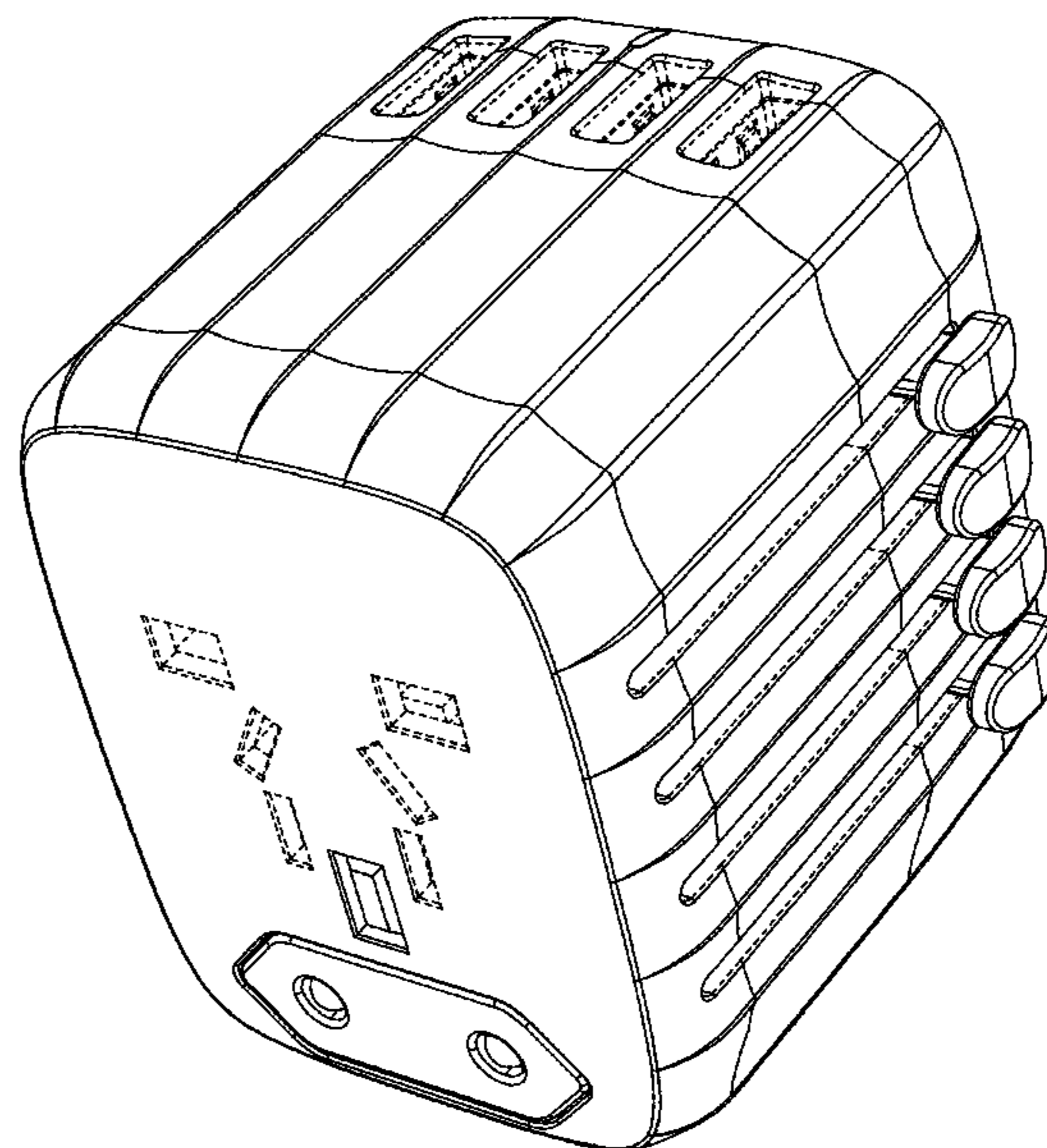
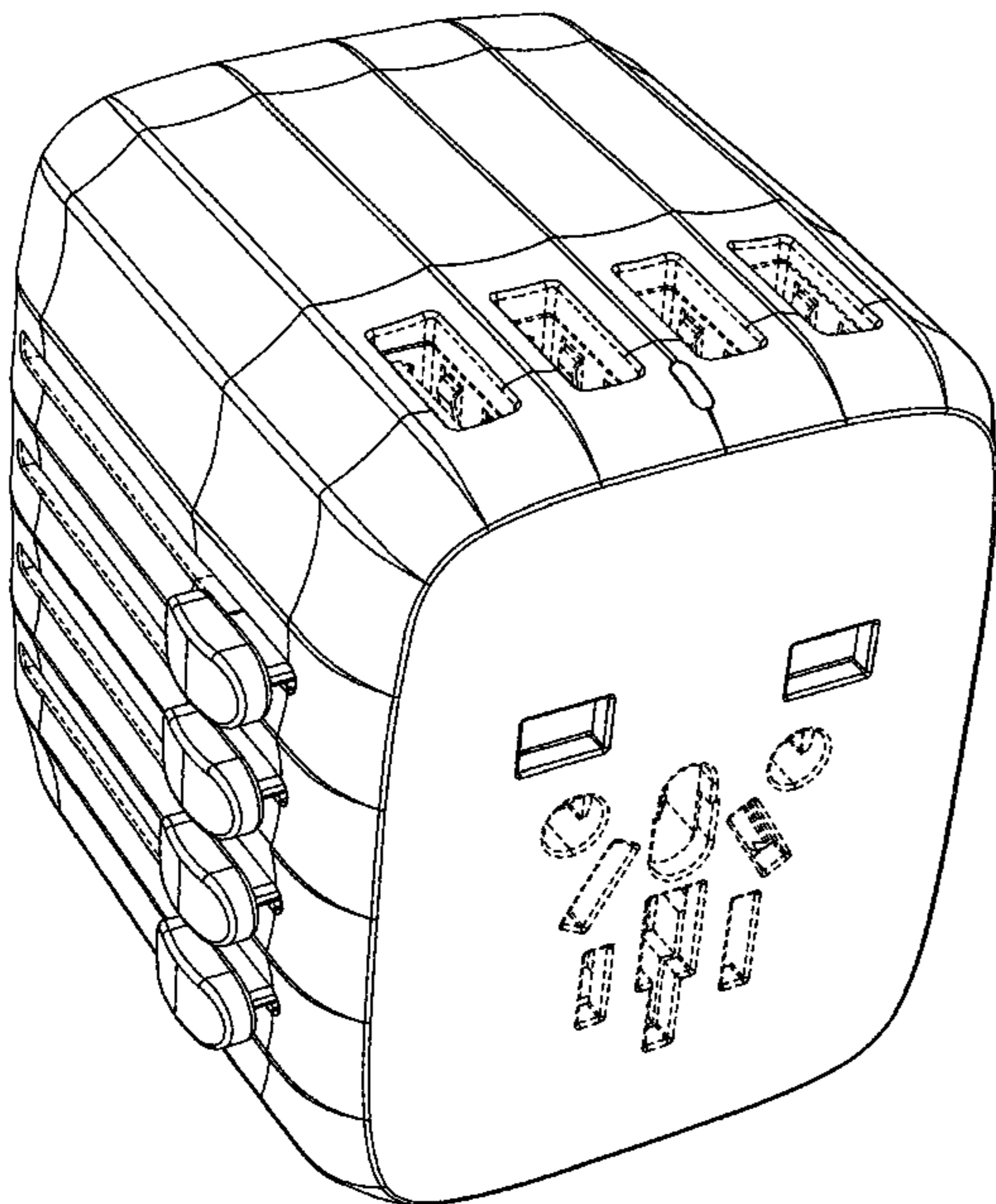
(57) **CLAIM**

The ornamental design for an electrical socket converter, as shown and described.

DESCRIPTION

FIG. 1 is a front elevational view of an electrical socket converter showing my new design; FIG. 2 is a rear elevational view thereof; FIG. 3 is a left side view thereof; FIG. 4 is a right side view thereof; FIG. 5 is a top plan view thereof; FIG. 6 is a bottom plan view thereof; FIG. 7 is a perspective view thereof; FIG. 8 is a second perspective view thereof; FIG. 9 is a third perspective view thereof; and, FIG. 10 is a fourth perspective view thereof. The broken lines in the drawings are for the purpose of illustrating portions of the electrical socket converter that form no part of the claimed design.

1 Claim, 10 Drawing Sheets



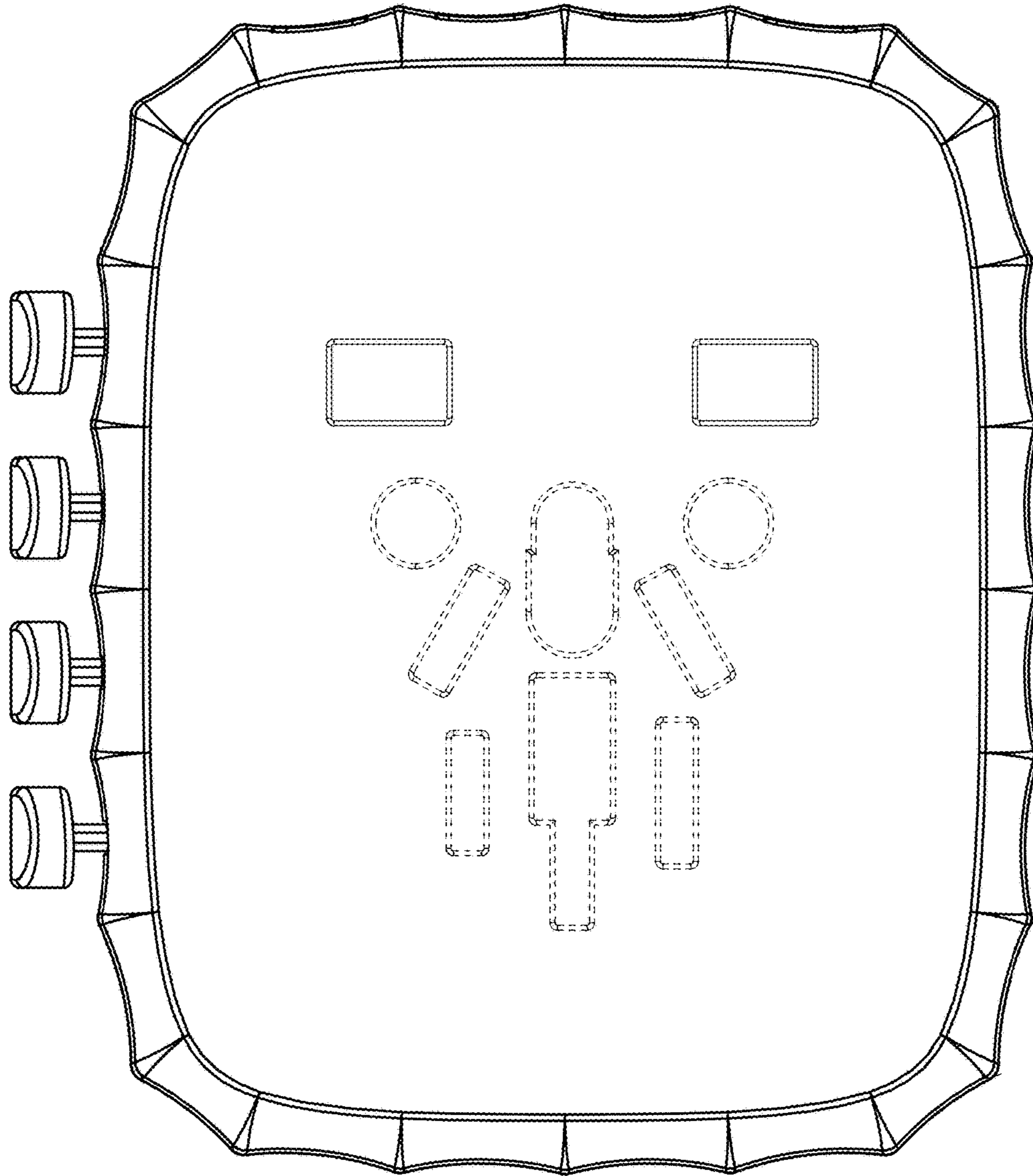


Fig. 1

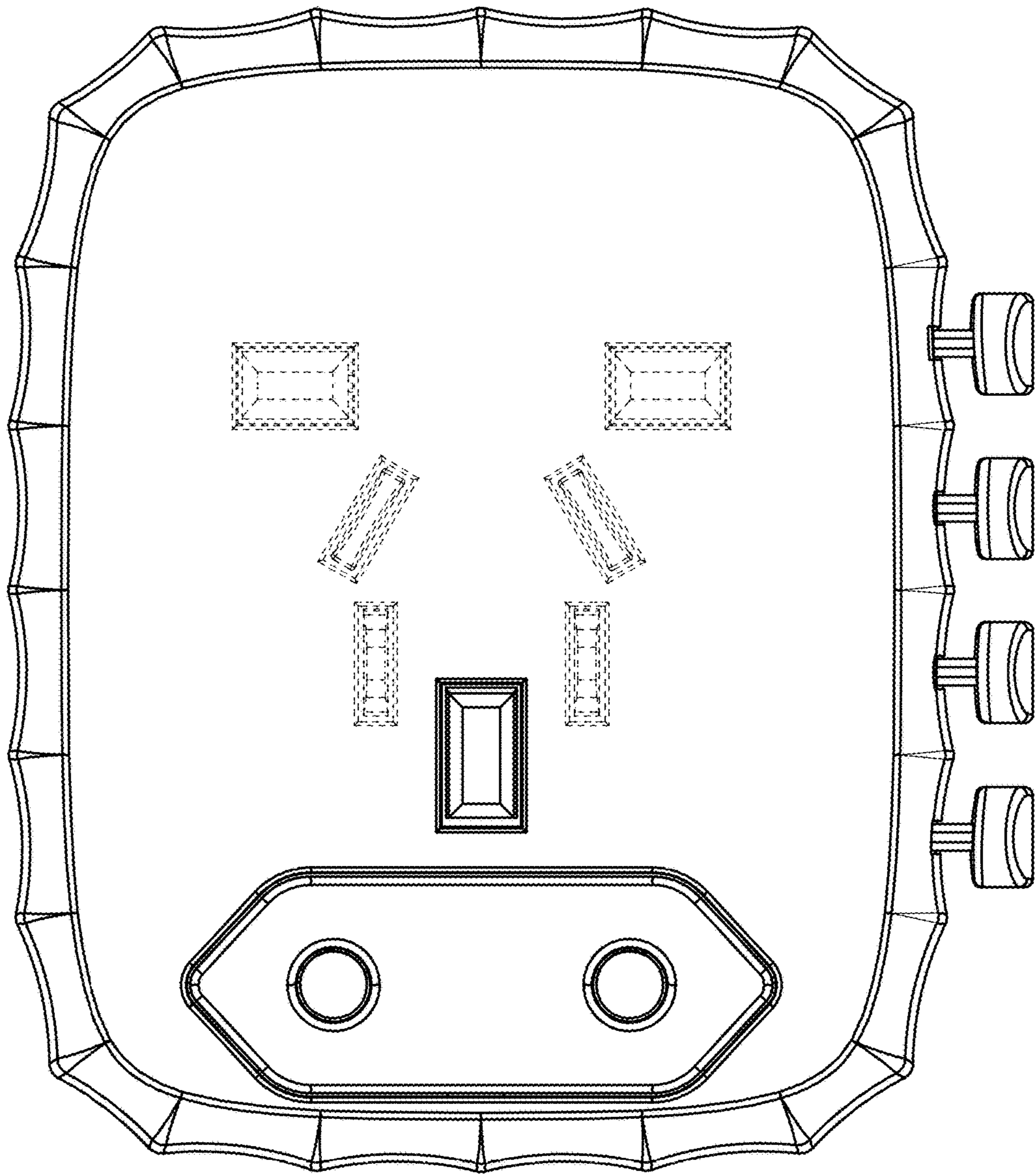


Fig. 2

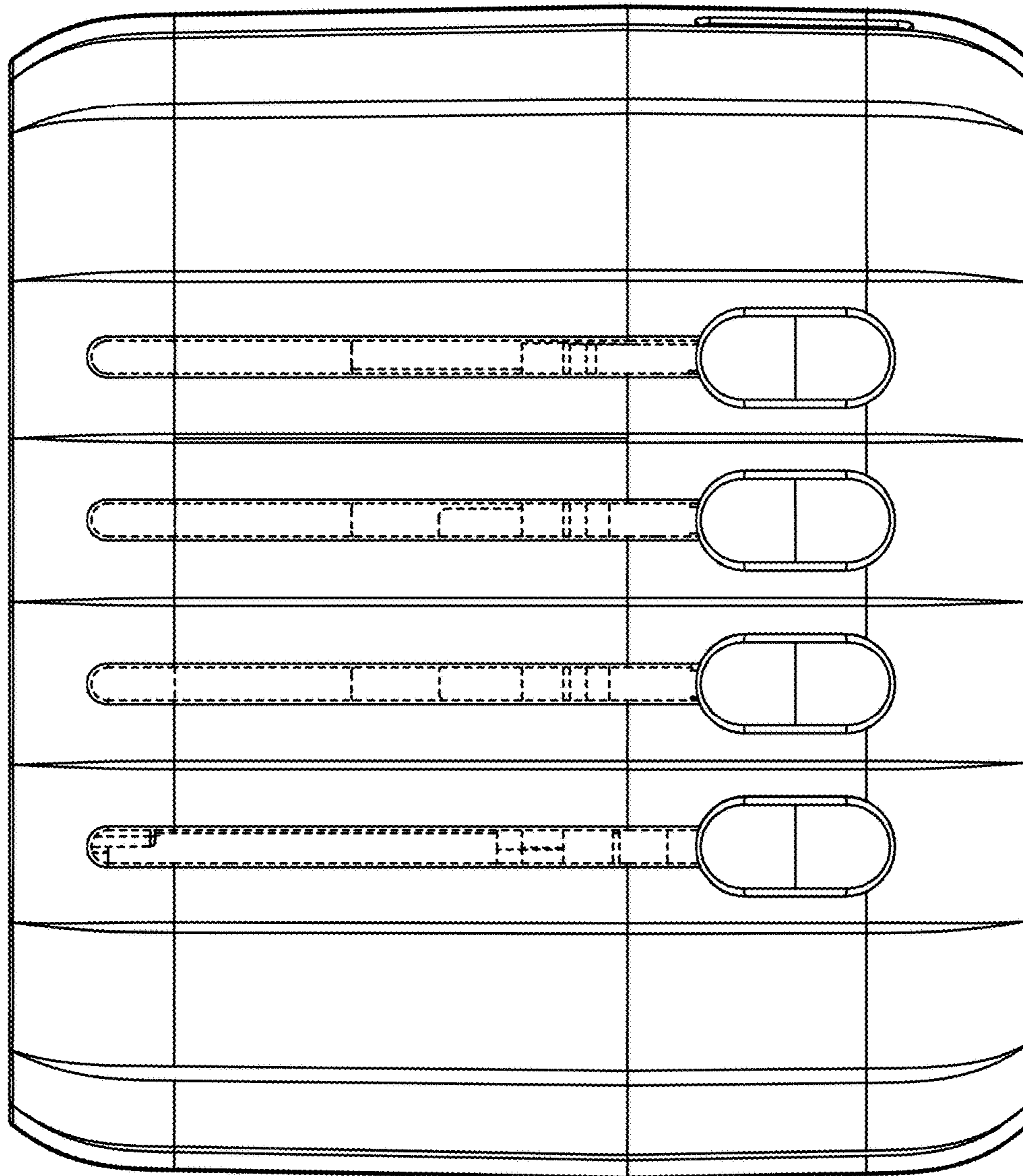


Fig. 3

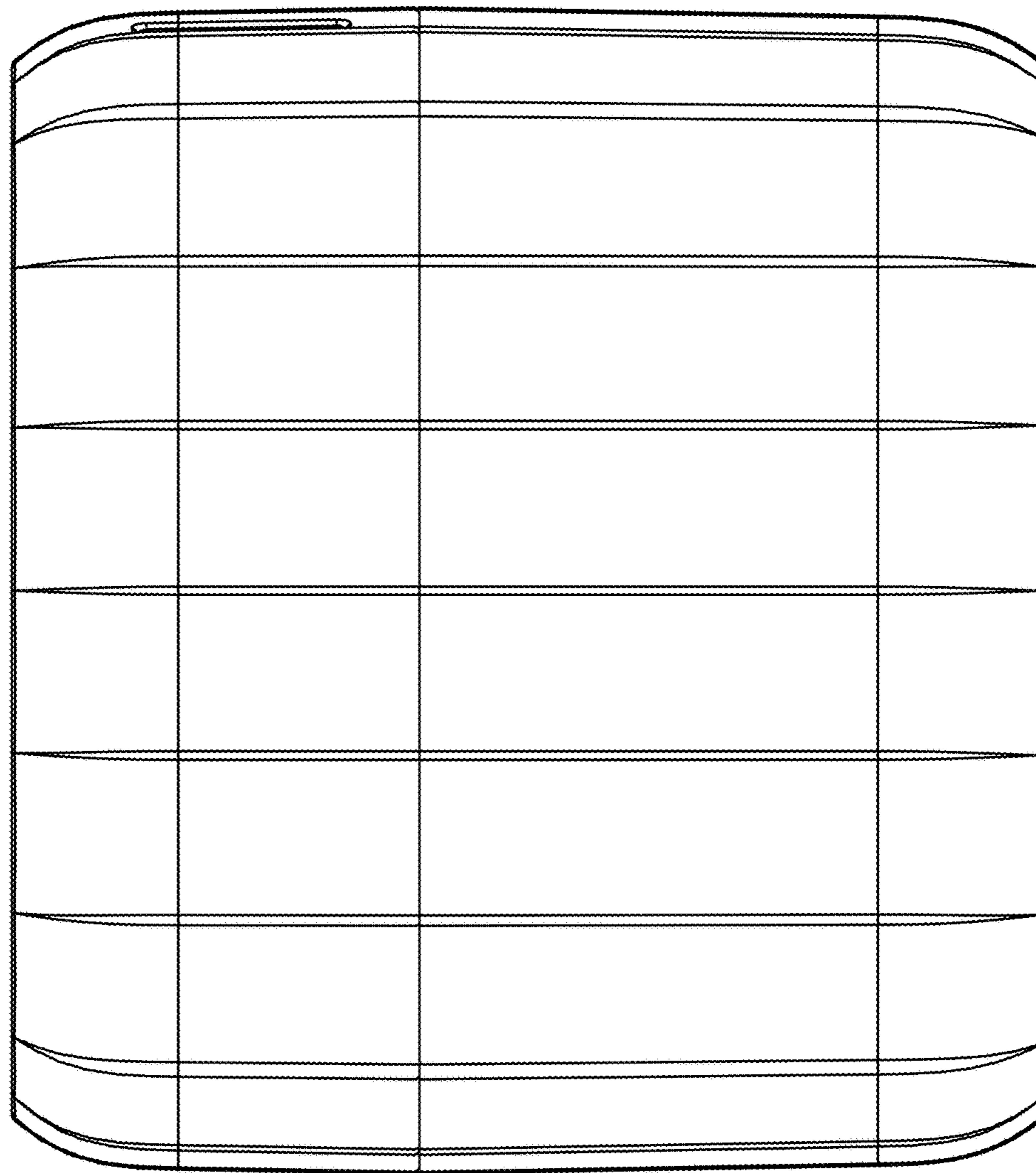


Fig. 4

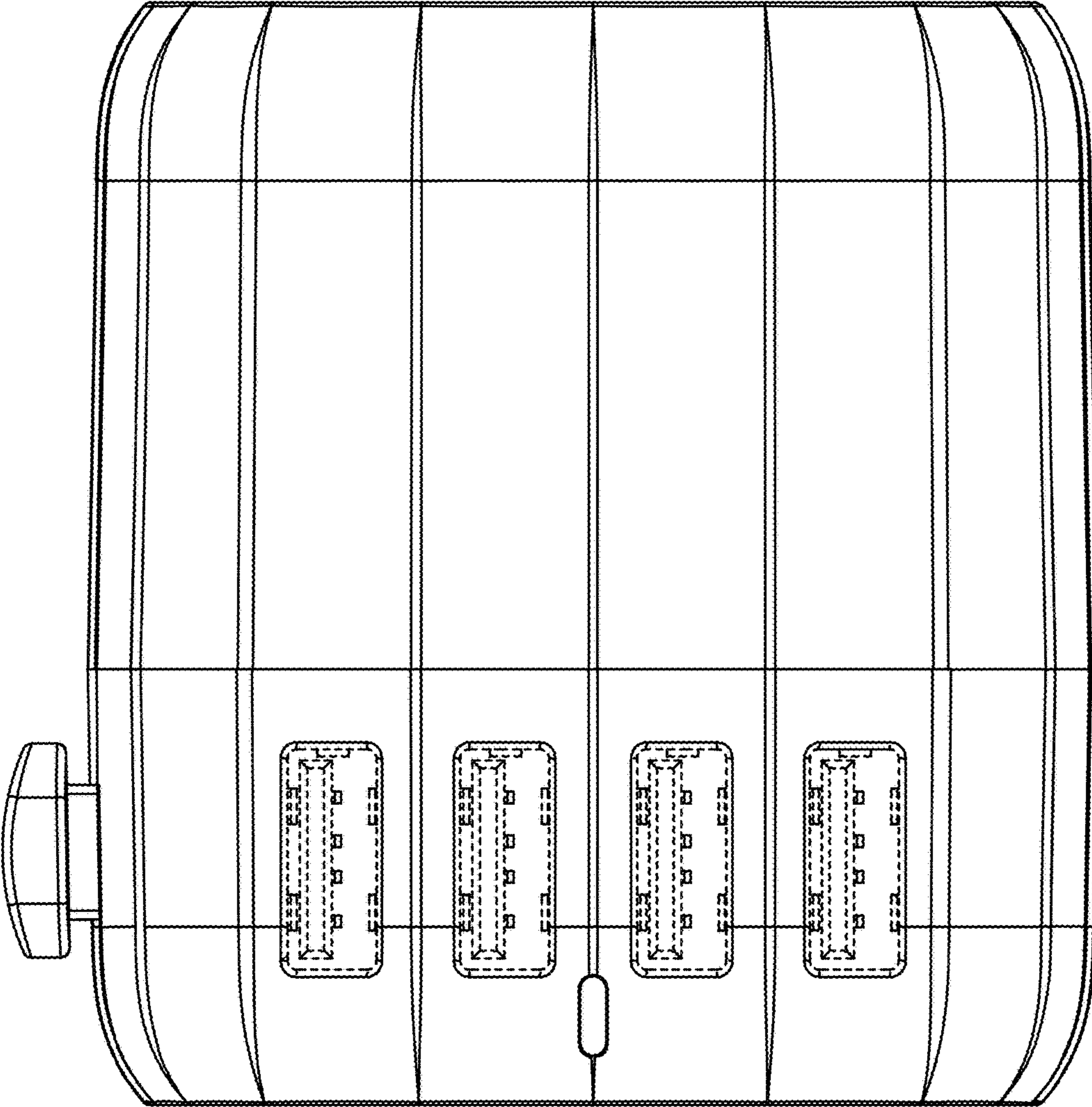


Fig. 5

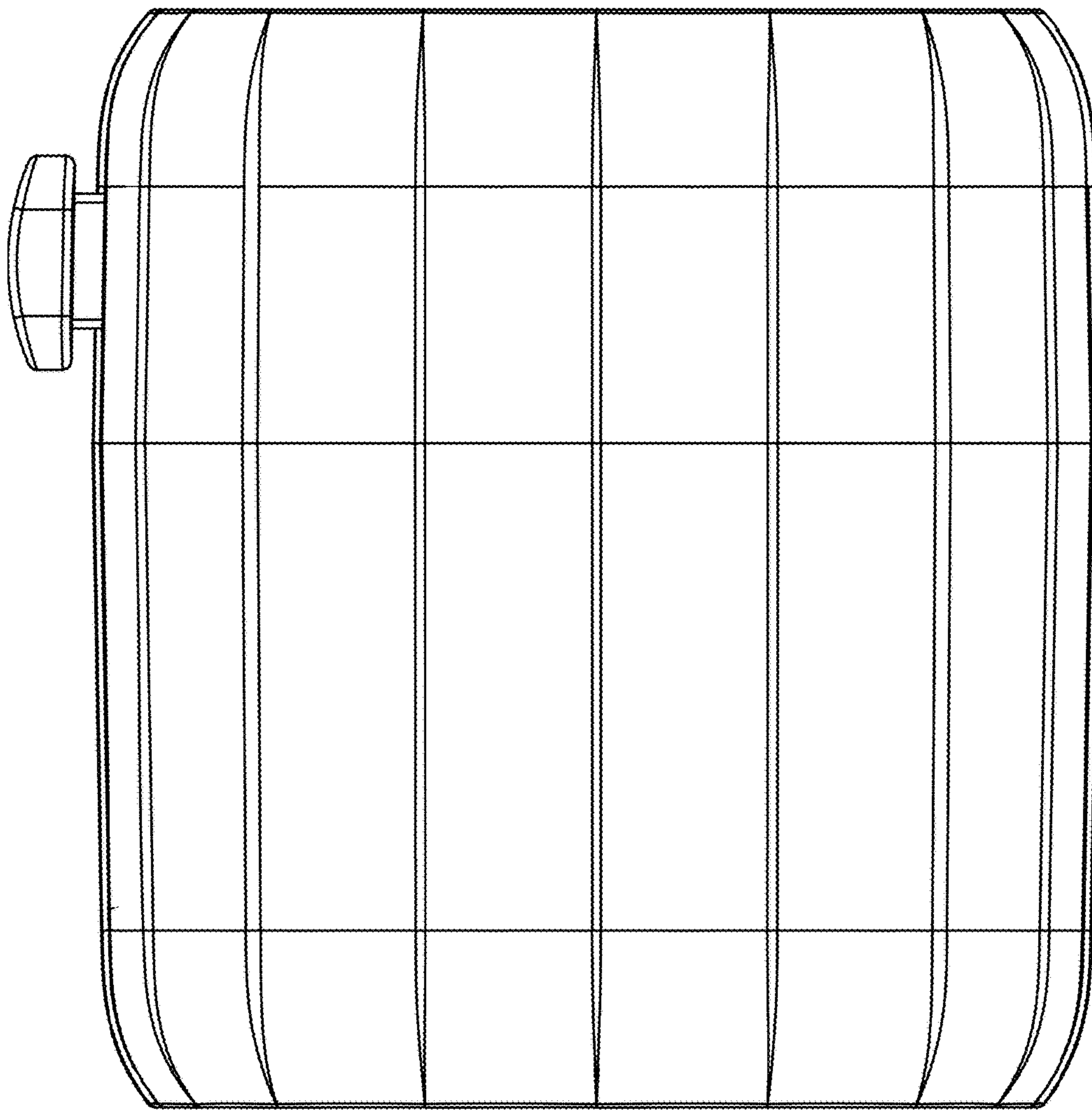


Fig. 6

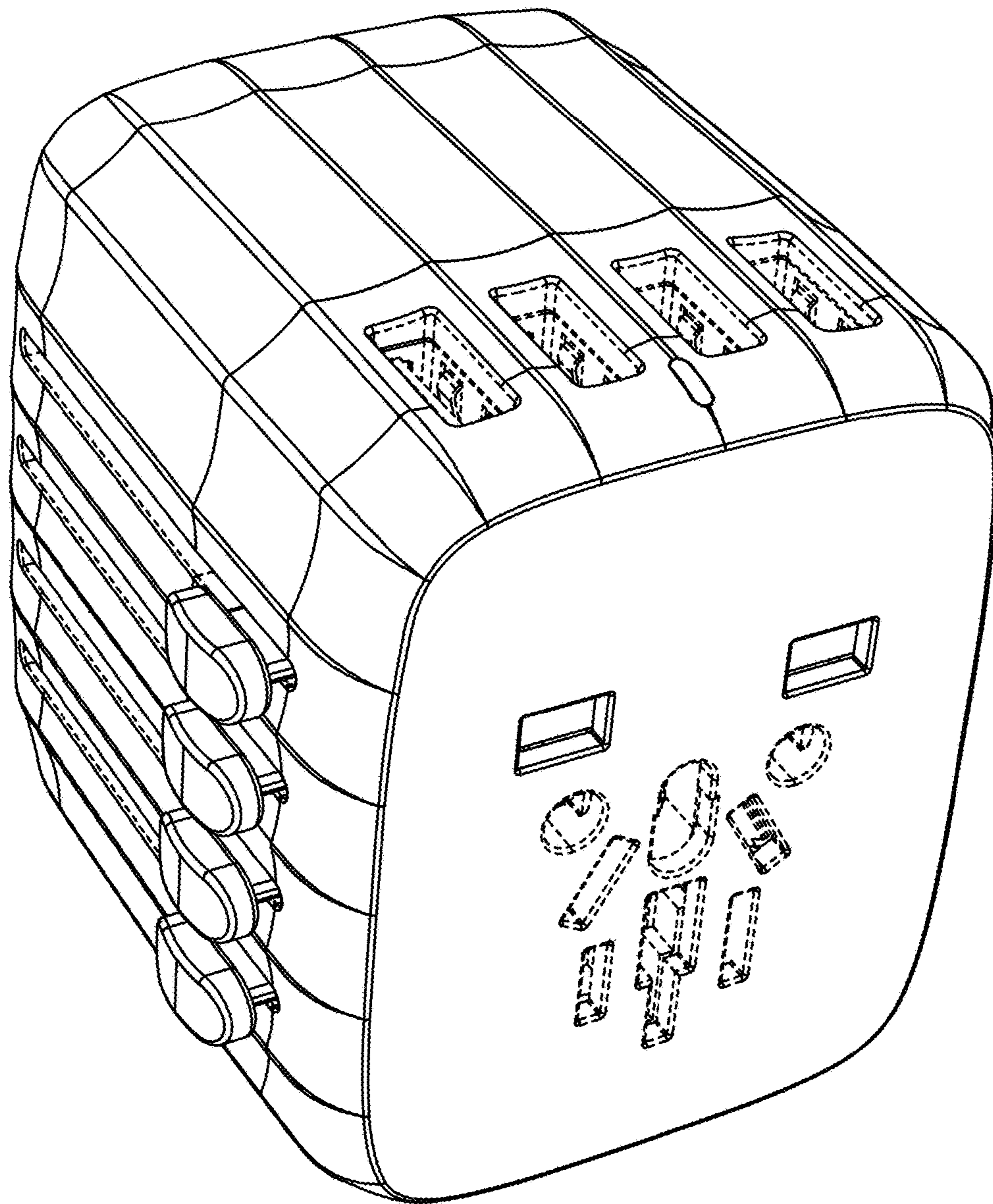


Fig. 7

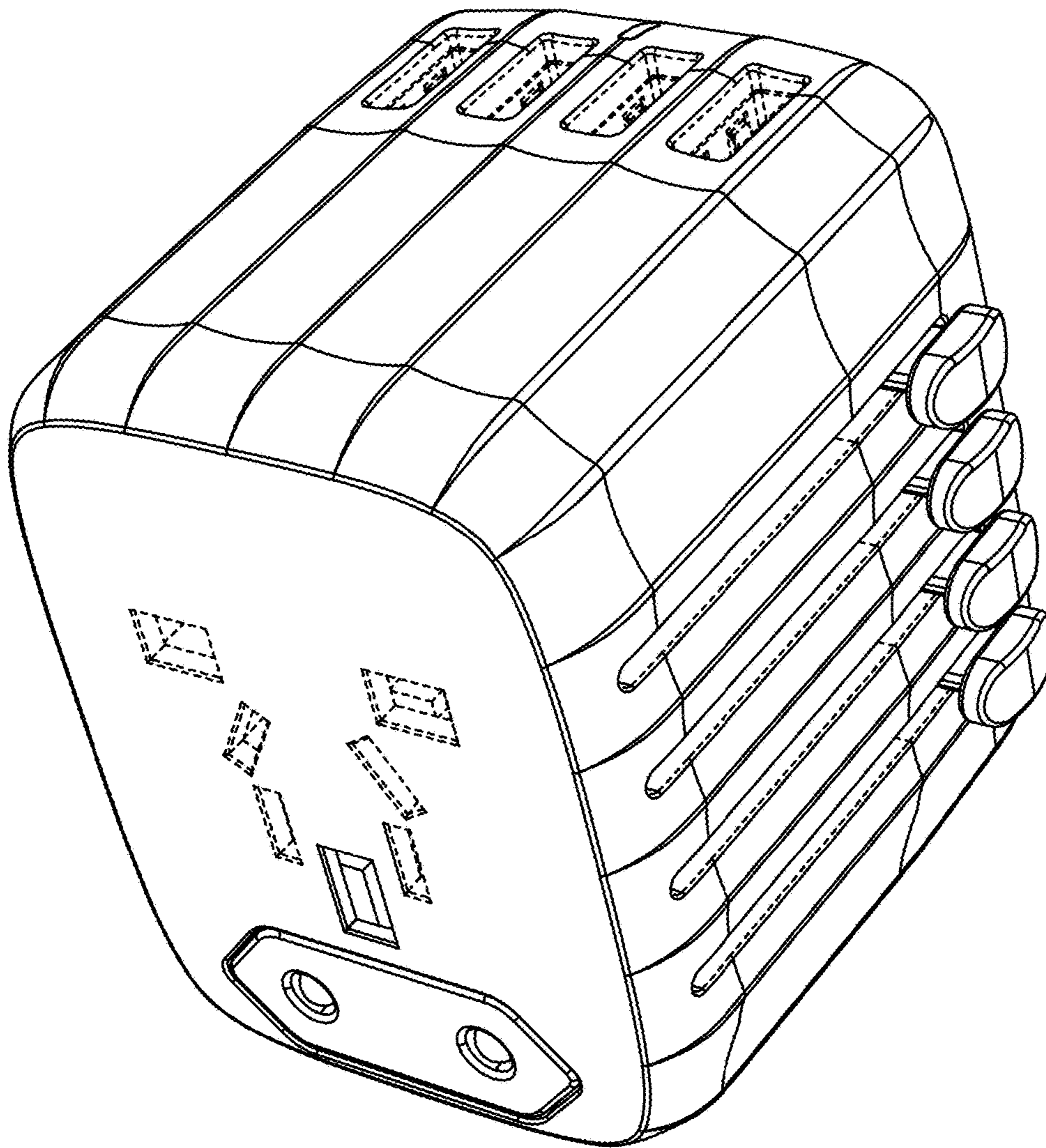


Fig. 8

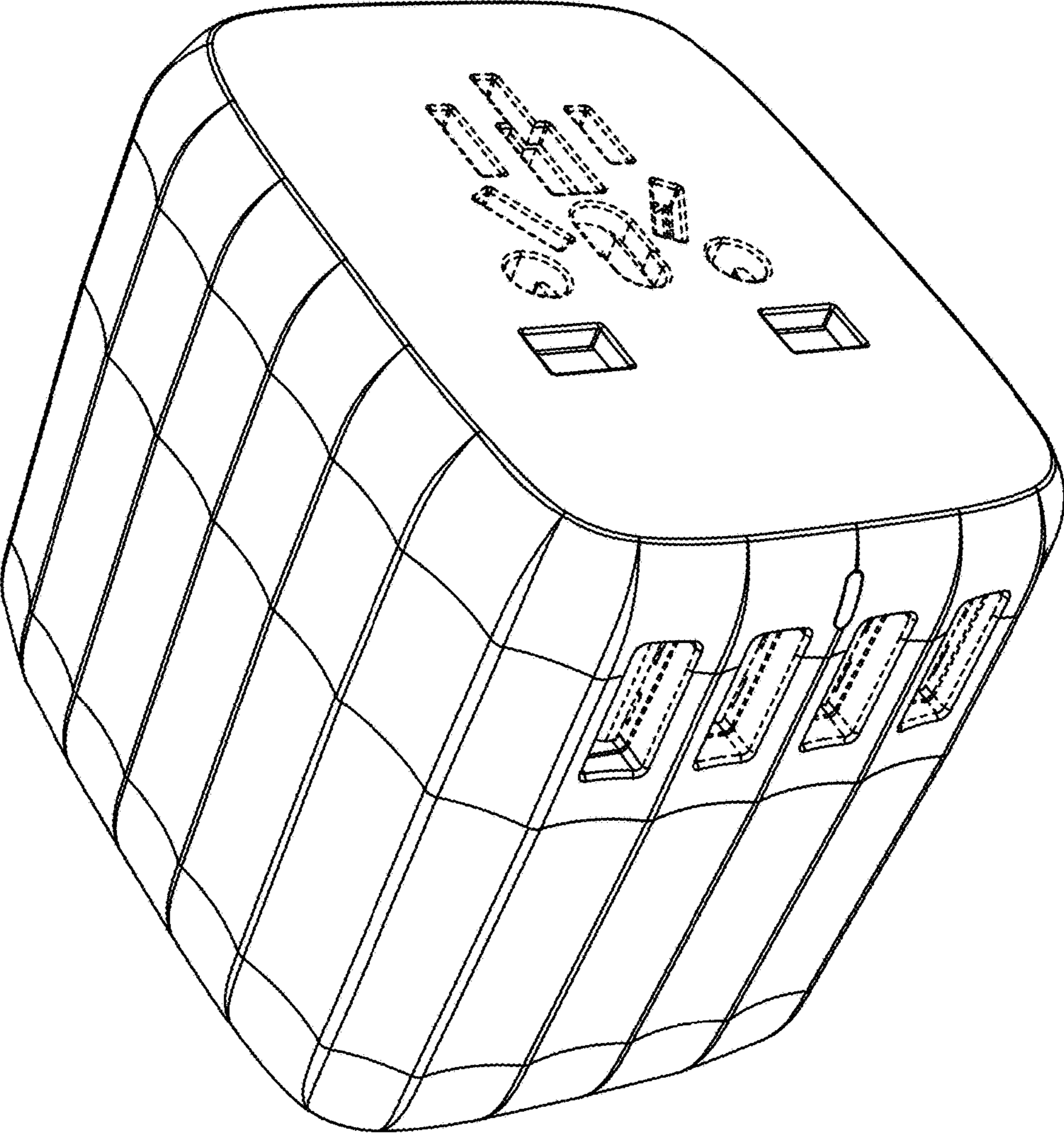


Fig. 9

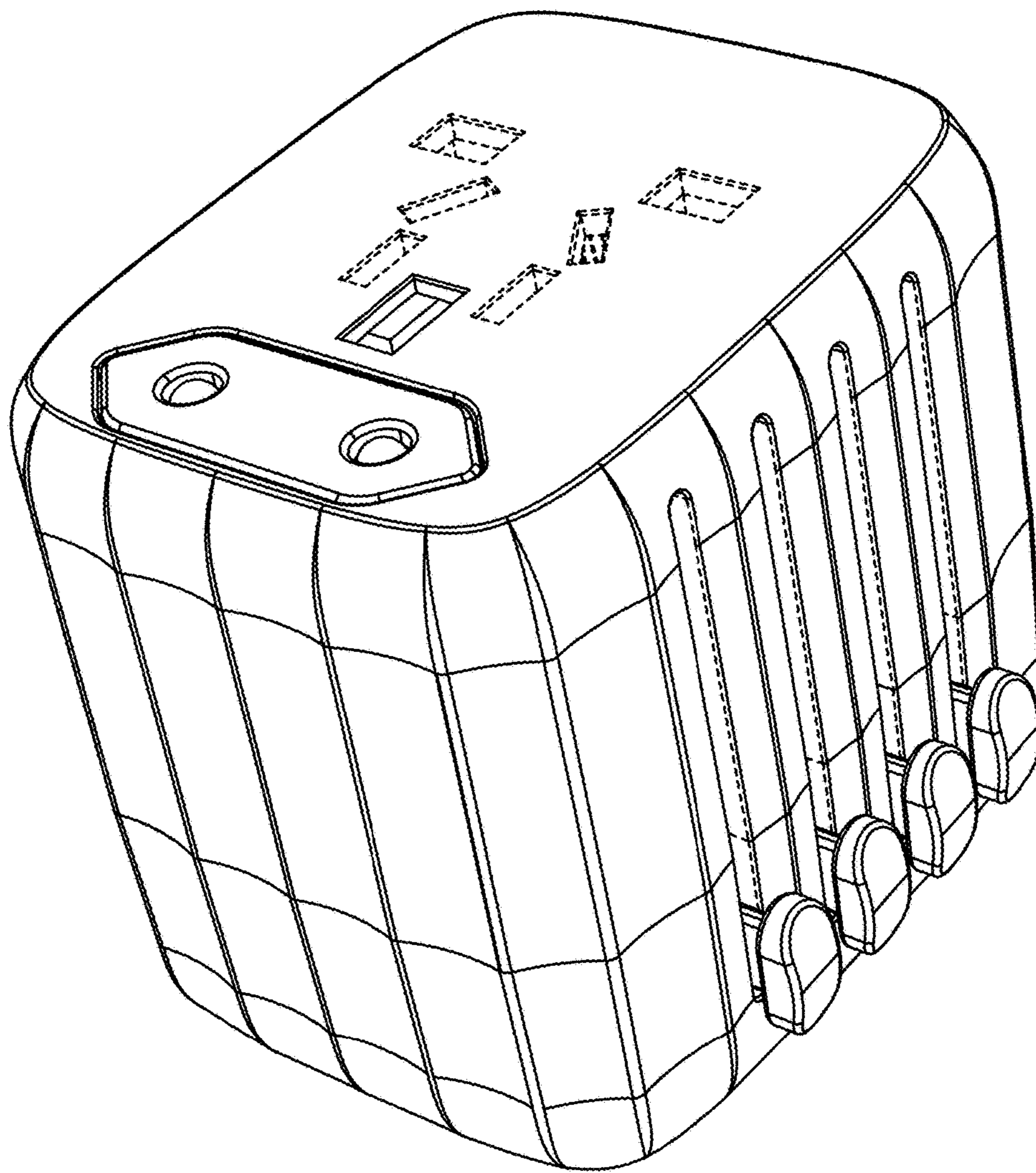


Fig. 10