



US00D829662S

(12) **United States Design Patent** (10) **Patent No.:** **US D829,662 S**  
**Kusano et al.** (45) **Date of Patent:** **\*\* Oct. 2, 2018**

(54) **POWER PLUG**  
(71) Applicant: **Sonos, Inc.**, Santa Barbara, CA (US)  
(72) Inventors: **Mieko Kusano**, Santa Barbara, CA (US); **Roland Bird**, Eindhoven (NL); **Niels van Hoof**, Eindhoven (NL); **Lukasz Natkaniec**, Munich (DE); **Wilfred Wei**, Shanghai (CN)

D347,621 S 6/1994 Rinker  
D353,362 S 12/1994 Dolson  
5,622,509 A 4/1997 Smythe  
(Continued)

FOREIGN PATENT DOCUMENTS

EM 002150193-0001 12/2012  
EM 002184184-0002 2/2013

(73) Assignee: **Sonos, Inc.**, Santa Barbara, CA (US)  
(\*\*) Term: **15 Years**  
(21) Appl. No.: **29/563,450**  
(22) Filed: **May 4, 2016**

OTHER PUBLICATIONS

“Notification of Grant of Patent Rights for a Design Patent”, issued by the State Intellectual Property Office of the P.R. China, in connection with Chinese Patent Application No. 201430416108.X, dated Apr. 20, 2015, 4 pages.

*Primary Examiner* — Rhea Shields  
(74) *Attorney, Agent, or Firm* — KPPB LLP

**Related U.S. Application Data**

(63) Continuation of application No. 29/489,649, filed on May 1, 2014, now Pat. No. Des. 760,167.  
(51) **LOC (11) Cl.** ..... **13-03**  
(52) **U.S. Cl.**  
USPC ..... **D13/137.1**  
(58) **Field of Classification Search**  
USPC ... D13/137.1–137.4, 139.1–139.8, 110, 156, D13/108, 107, 162.1; 439/369  
CPC ..... H01R 13/5808  
See application file for complete search history.

(57) **CLAIM**

The ornamental design for a “power plug,” as shown and described.

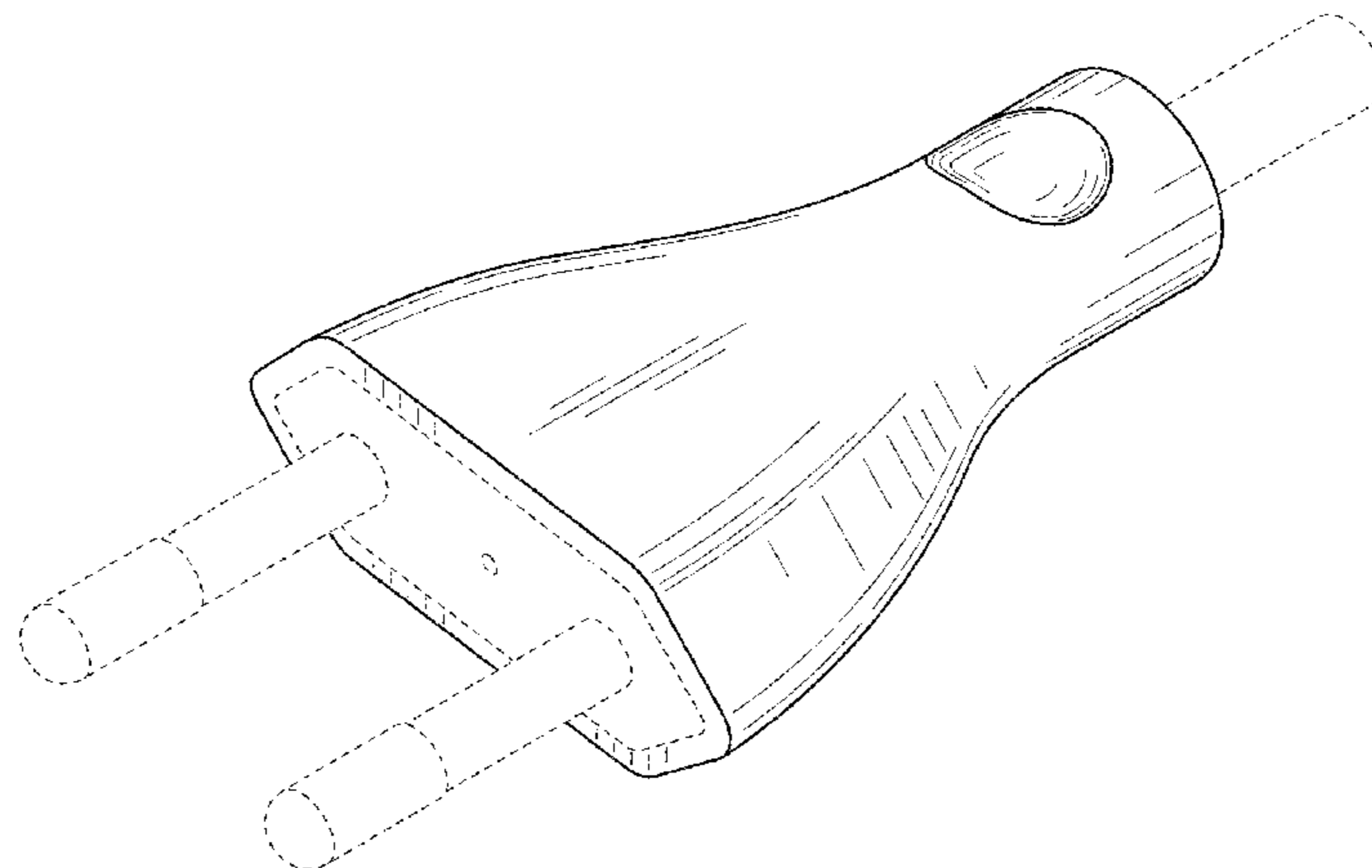
**DESCRIPTION**

FIG. 1 is a front perspective view of a power plug. FIG. 2 is a front side view of the device of FIG. 1. FIG. 3 is a rear side view of the device of FIG. 1. FIG. 4 is a left side view of the device of FIG. 1. FIG. 5 is a right side view of the device of FIG. 1. FIG. 6 is a top side view of the device of FIG. 1. FIG. 7 is a bottom side view of the device of FIG. 1. FIG. 8 is a front perspective view of a power plug. FIG. 9 is a front side view of the device of FIG. 8. FIG. 10 is a rear side view of the device of FIG. 8. FIG. 11 is a left side view of the device of FIG. 8. FIG. 12 is a right side view of the device of FIG. 8. FIG. 13 is a top side view of the device of FIG. 8; and, FIG. 14 is a bottom side view of the device of FIG. 8. The features shown in broken lines form no part of the claimed design.

(56) **References Cited**  
U.S. PATENT DOCUMENTS

D150,410 S 8/1948 Giammatteo  
2,771,590 A 11/1956 Nauslar  
3,382,355 A 5/1968 Prifogle et al.  
3,495,205 A 2/1970 Ricci  
D243,090 S 1/1977 Lawrence  
D243,244 S 2/1977 Creamer  
D257,035 S 9/1980 Ostrellich et al.  
4,954,091 A 9/1990 Marble  
D339,566 S 9/1993 Okamoto et al.  
D339,567 S 9/1993 Okamoto et al.

**1 Claim, 6 Drawing Sheets**



(56)

References Cited

U.S. PATENT DOCUMENTS

D484,460 S 12/2003 Cheng et al.  
 D485,239 S \* 1/2004 Whalin ..... D13/137.4  
 D493,142 S 7/2004 Siu  
 D495,996 S 9/2004 Parel et al.  
 D498,462 S 11/2004 Andre  
 D509,187 S 9/2005 Levine et al.  
 D585,378 S 1/2009 Haber et al.  
 D587,192 S \* 2/2009 McGinley ..... D13/110  
 D610,993 S \* 3/2010 Fahrendorff ..... D13/138.1  
 D611,409 S 3/2010 Green et al.  
 D617,275 S \* 6/2010 Fahrendorff ..... D13/138.1  
 D617,277 S \* 6/2010 Fahrendorff ..... D13/138.1  
 D620,889 S \* 8/2010 Smith ..... D13/108  
 D623,594 S \* 9/2010 Akana ..... D13/138.2  
 D627,728 S \* 11/2010 Smith ..... D13/108  
 D635,919 S \* 4/2011 Ahola ..... D13/138.1  
 D635,920 S \* 4/2011 Smith ..... D13/138.1  
 D640,631 S \* 6/2011 Smith ..... D13/138.1  
 8,021,183 B2 9/2011 Early et al.  
 D659,095 S \* 5/2012 McManigal ..... D13/110  
 D660,796 S \* 5/2012 Wen ..... D13/110  
 8,215,009 B2 7/2012 Early et al.  
 D669,434 S \* 10/2012 Kim ..... D13/110  
 D675,159 S \* 1/2013 Smith ..... D13/110  
 D676,810 S \* 2/2013 Smith ..... D13/110  
 D680,492 S \* 4/2013 Smith ..... D13/110  
 8,517,766 B2 8/2013 Golko et al.  
 D692,379 S \* 10/2013 Bae ..... D13/110

D692,384 S \* 10/2013 Galloway ..... D13/138.1  
 D697,481 S \* 1/2014 Akana ..... D13/138.1  
 8,647,156 B2 2/2014 Golko et al.  
 D705,733 S \* 5/2014 Zaslavsky ..... D13/137.2  
 8,734,178 B2 \* 5/2014 Inagaki ..... H01R 13/5808  
 439/369  
 D706,220 S \* 6/2014 Zaslavsky ..... D13/137.2  
 D707,626 S \* 6/2014 Atkinson ..... D13/110  
 8,753,132 B2 6/2014 Scritzky et al.  
 D708,149 S \* 7/2014 Auguste ..... D13/156  
 D708,586 S \* 7/2014 Auguste ..... D13/156  
 D711,823 S \* 8/2014 Akana ..... D13/110  
 D712,829 S 9/2014 Huang et al.  
 D721,037 S 1/2015 Kelly  
 D729,160 S \* 5/2015 Levy ..... D13/110  
 D731,970 S 6/2015 Kamath  
 D734,261 S \* 7/2015 Kelly ..... D13/110  
 D740,232 S \* 10/2015 Auguste ..... D13/156  
 D742,315 S 11/2015 Dang  
 D746,773 S \* 1/2016 Andre ..... D13/110  
 D750,571 S \* 3/2016 Auguste ..... D13/156  
 D751,039 S \* 3/2016 Ptok ..... D13/138.1  
 D760,167 S \* 6/2016 Kusano ..... D13/138.1  
 D763,190 S \* 8/2016 Akana ..... D13/110  
 D763,794 S \* 8/2016 Akana ..... D13/137.1  
 D778,835 S \* 2/2017 Akana ..... D13/110  
 D784,263 S \* 4/2017 Xu ..... D13/138.2  
 D788,033 S \* 5/2017 Tiainen ..... D13/107  
 D798,806 S \* 10/2017 Soriano ..... D13/108  
 D800,077 S \* 10/2017 Windstrup ..... D13/162.1

\* cited by examiner

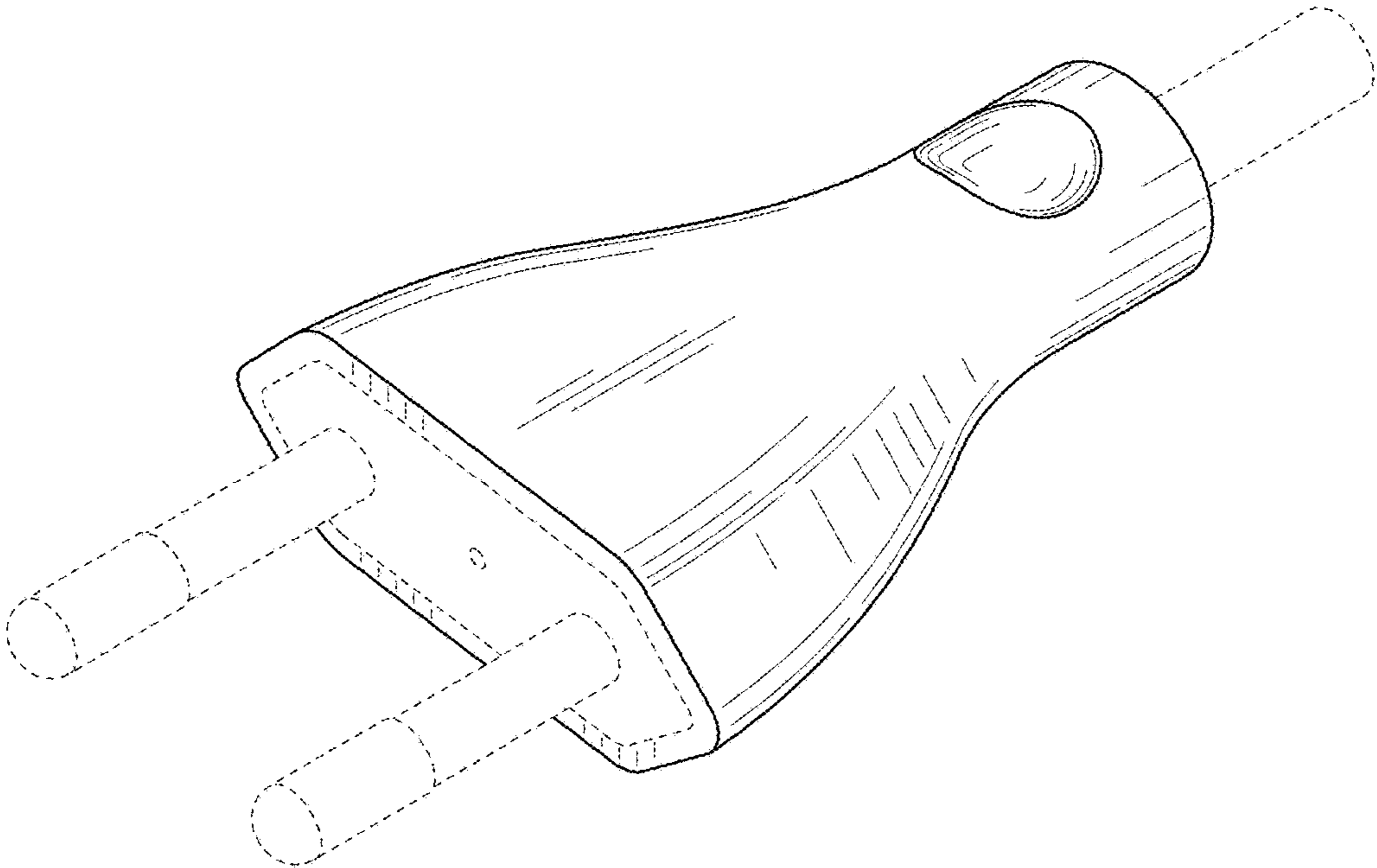


FIG. 1

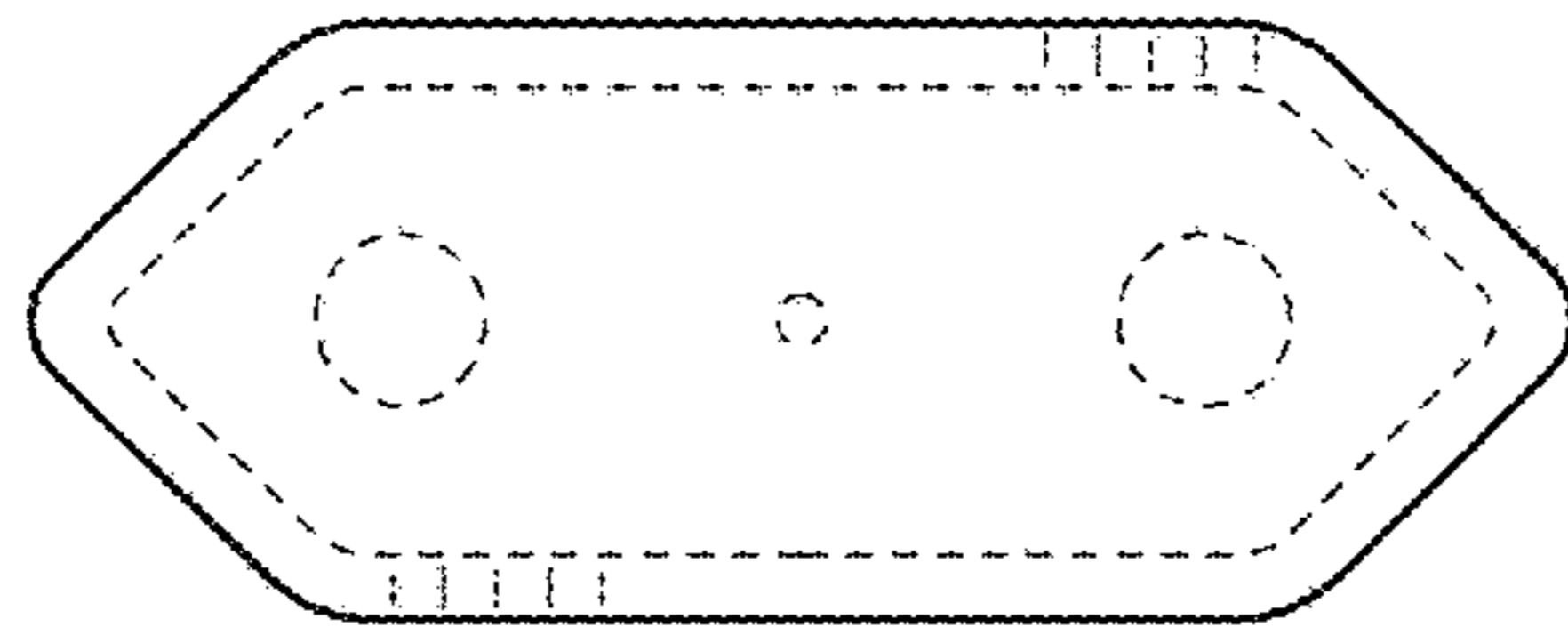


FIG. 2

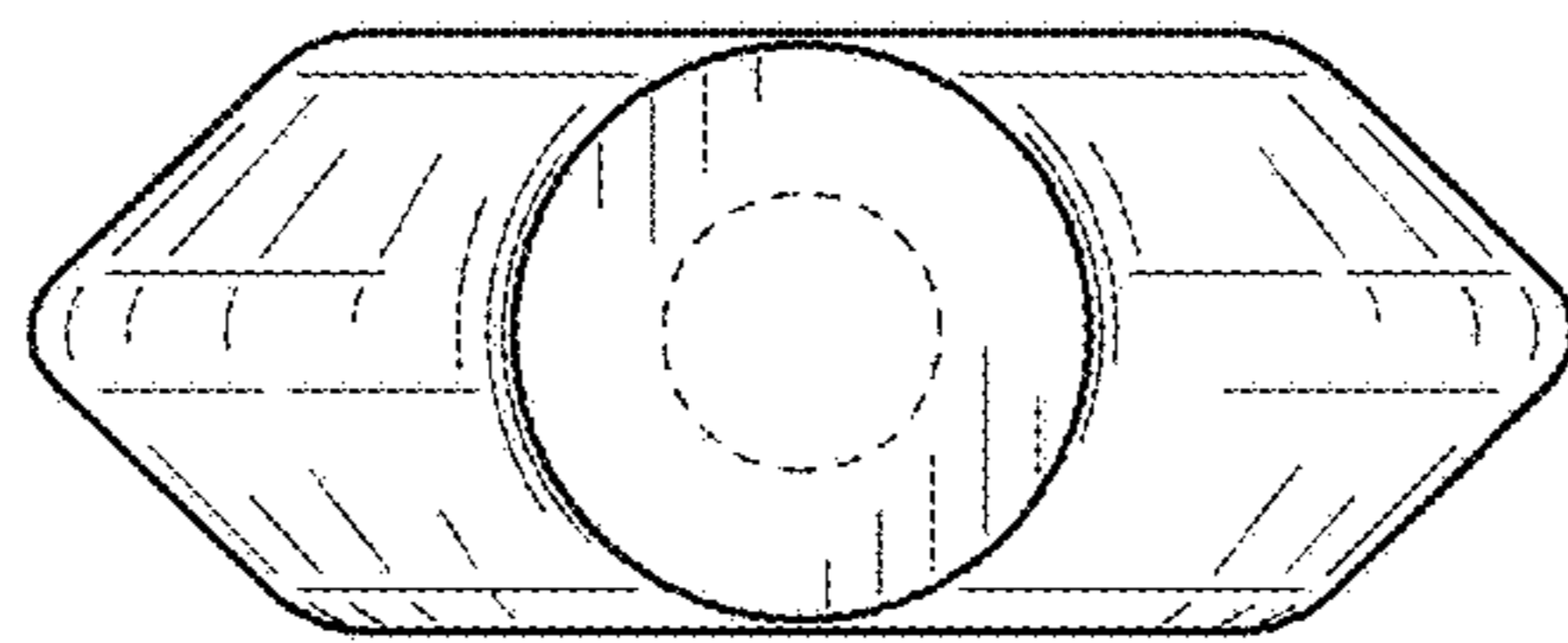


FIG. 3

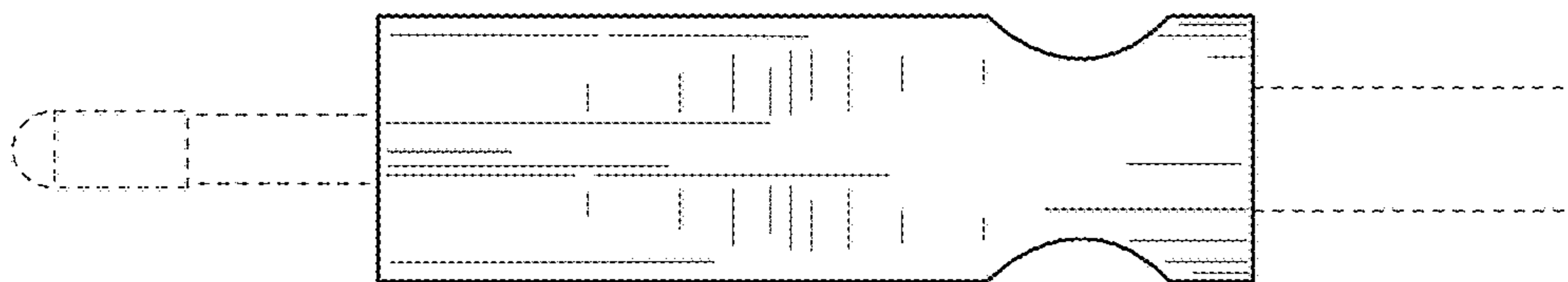


FIG. 4

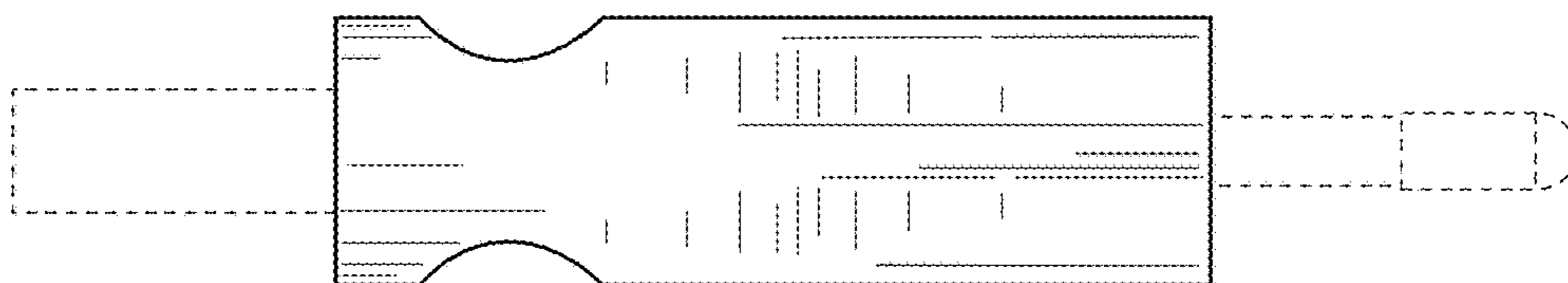


FIG. 5

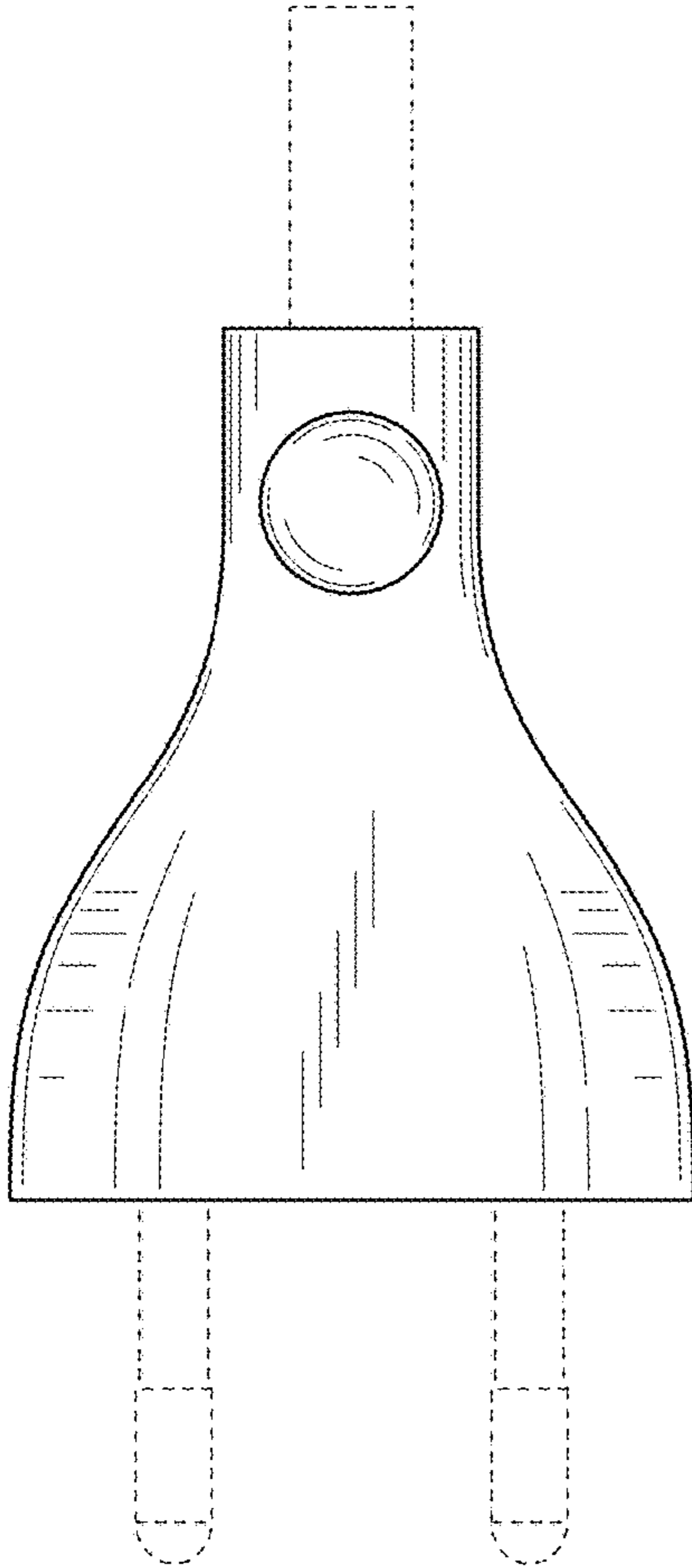


FIG. 6

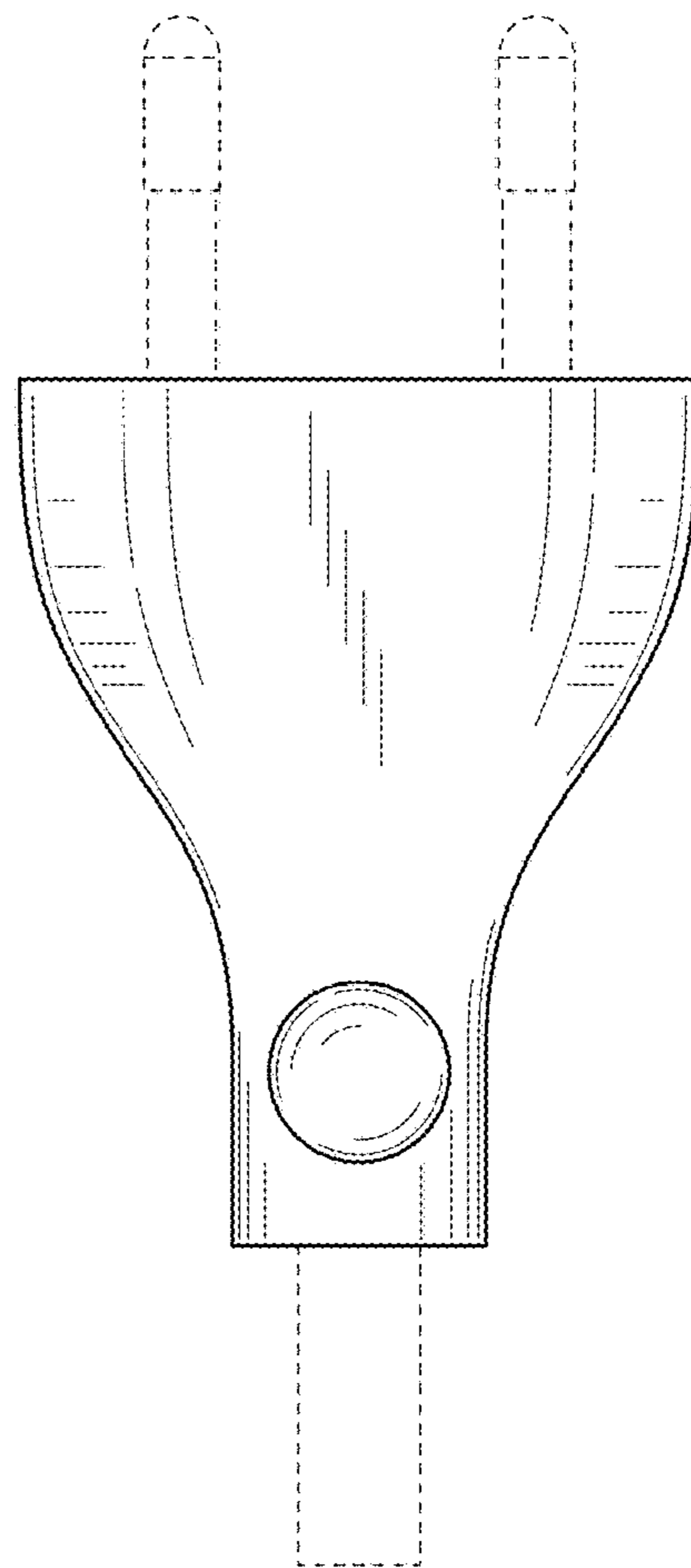


FIG. 7



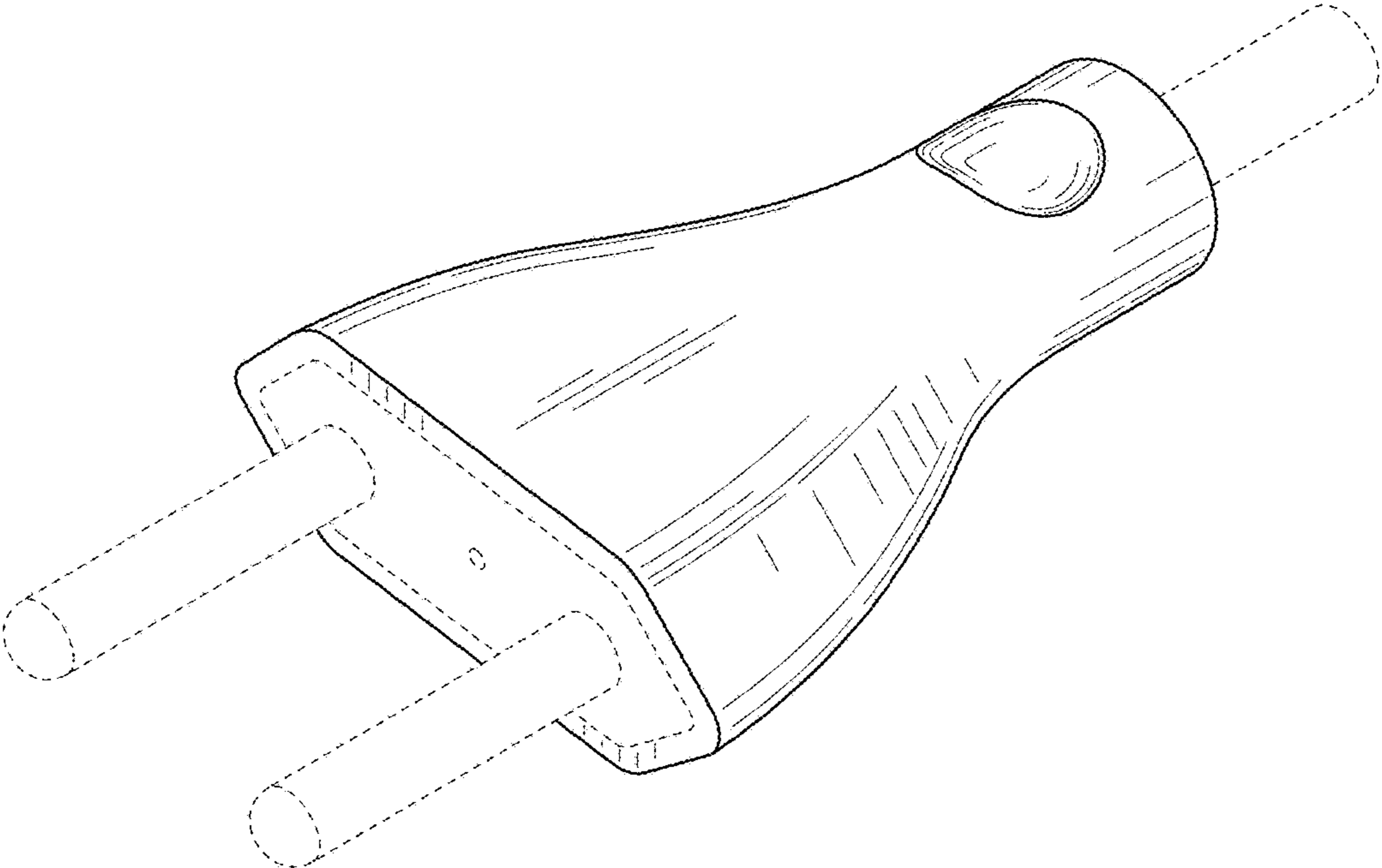


FIG. 8

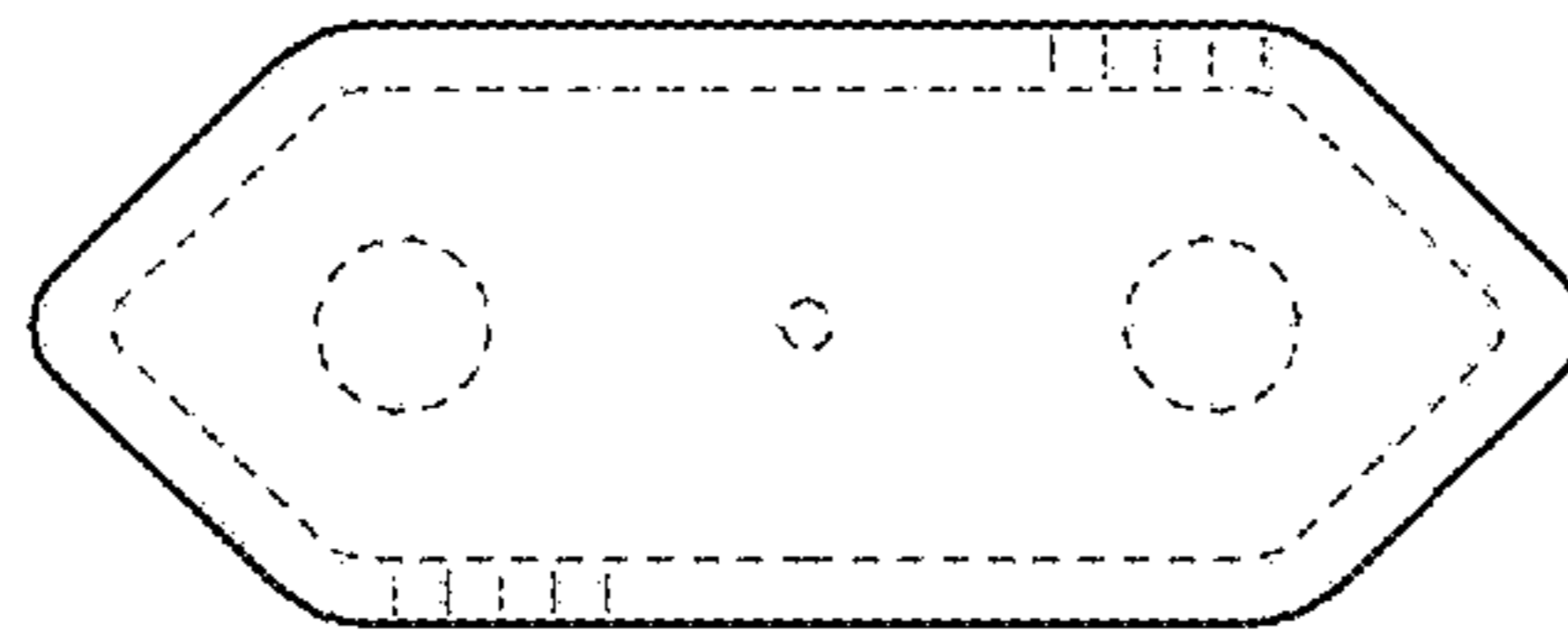


FIG. 9

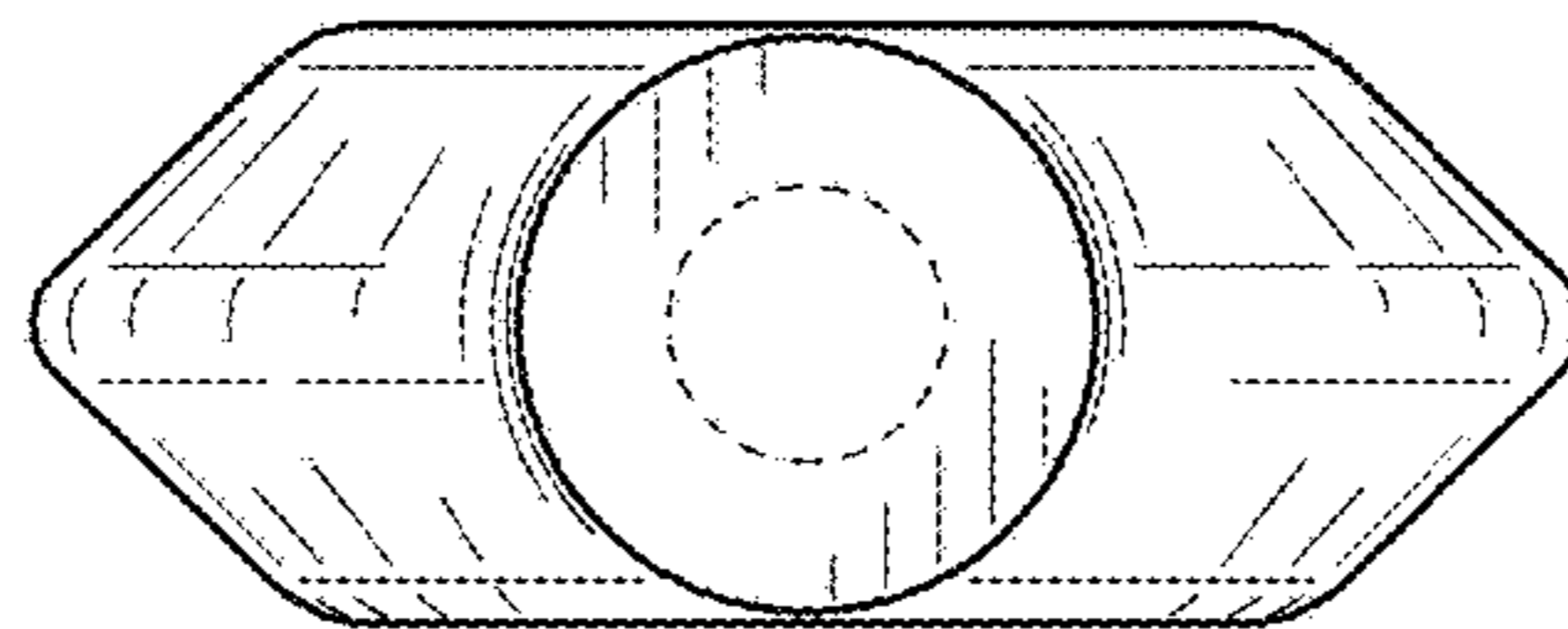


FIG. 10

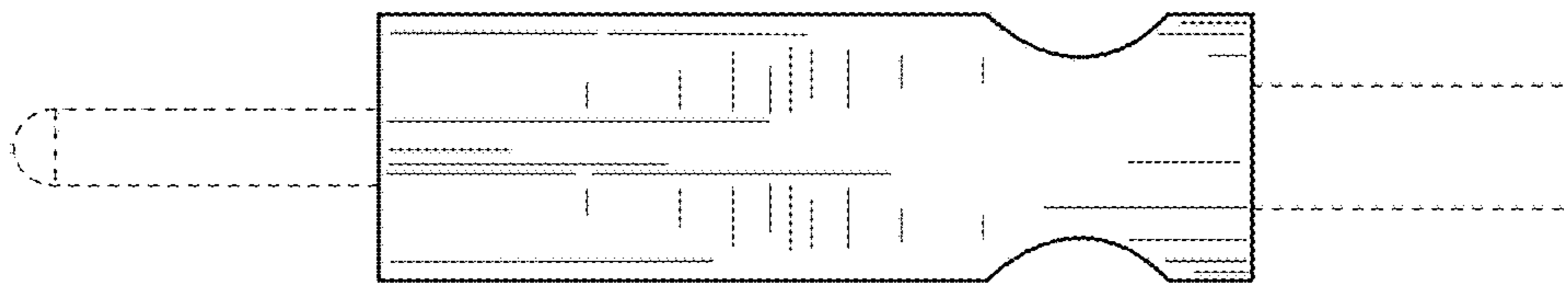


FIG. 11

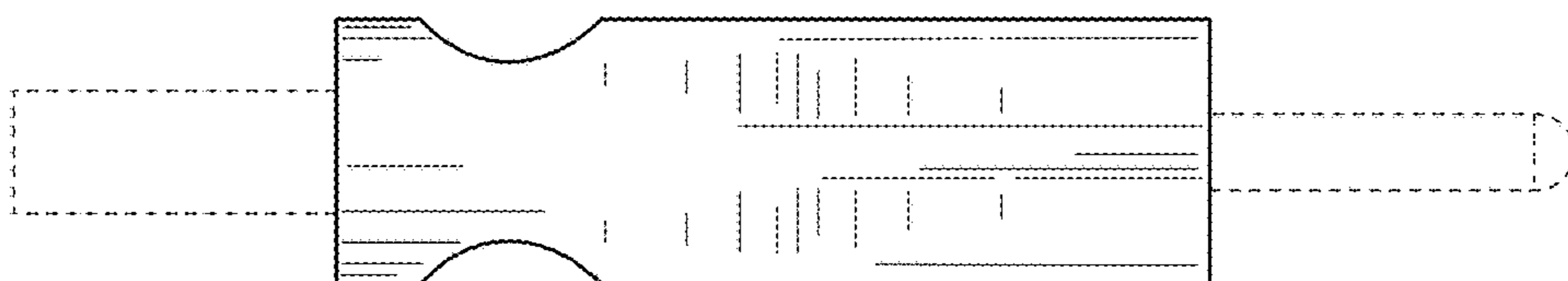


FIG. 12

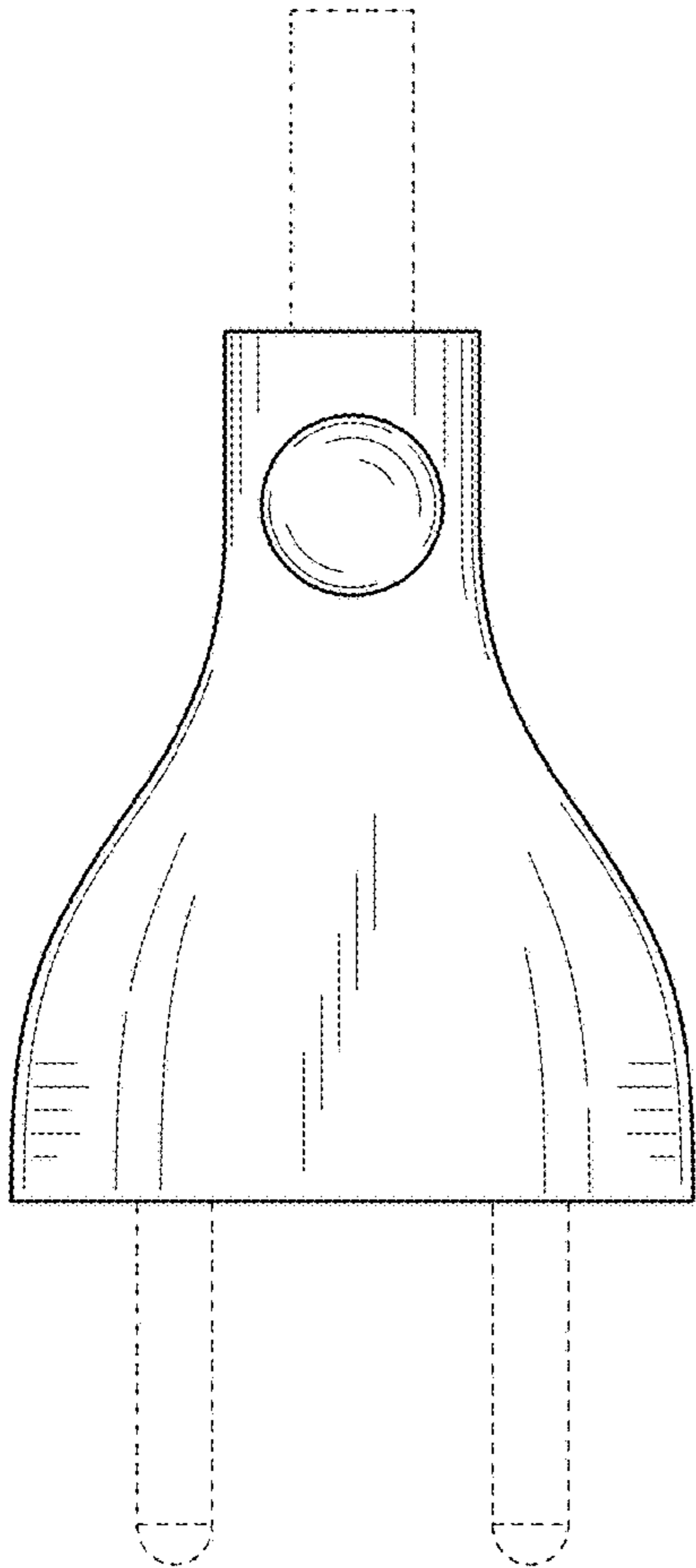


FIG. 13

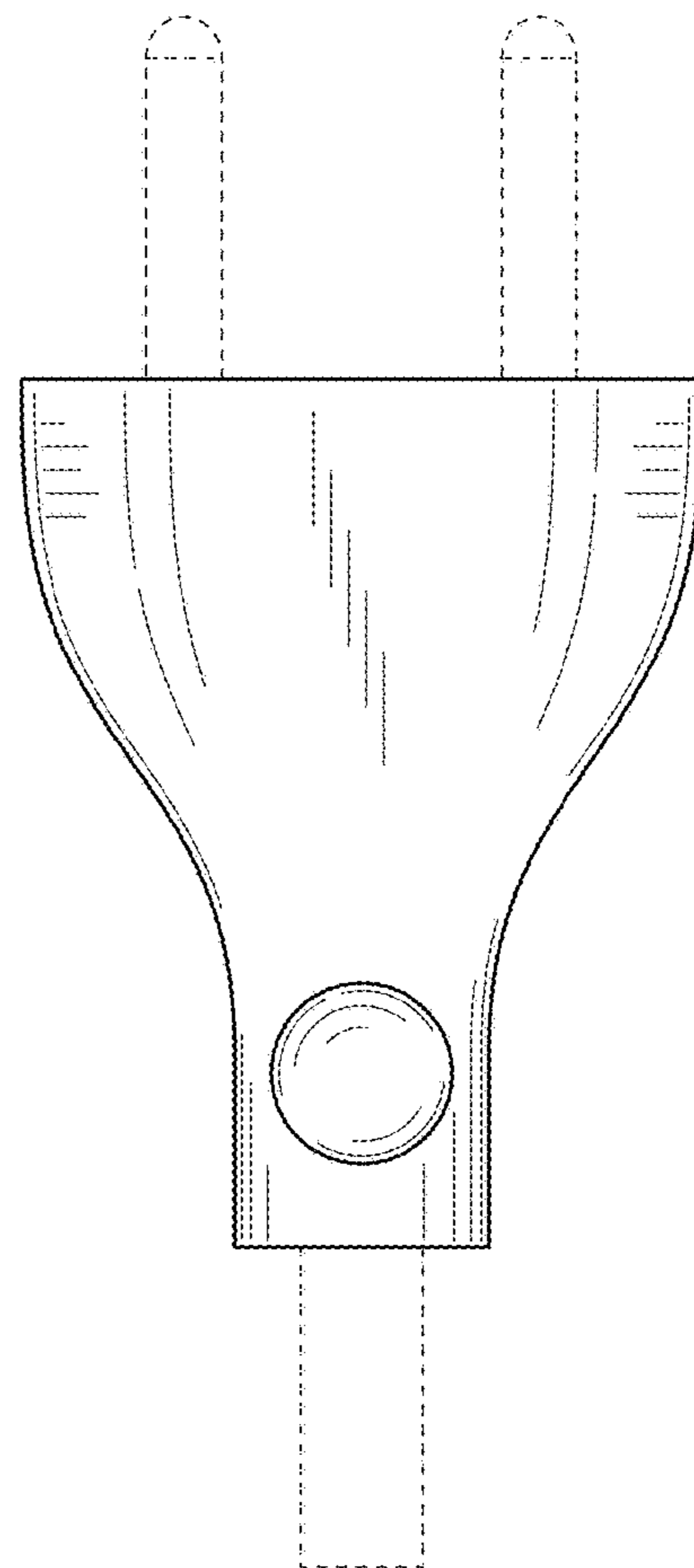


FIG. 14