



US00D829661S

(12) **United States Design Patent** (10) **Patent No.:** **US D829,661 S**
Horino et al. (45) **Date of Patent:** **** Oct. 2, 2018**

(54) **ELECTRIC CONNECTOR**
 (71) Applicant: **KYOCERA Corporation**, Kyoto-shi, Kyoto (JP)
 (72) Inventors: **Shintaro Horino**, Santa-Clara, CA (US); **Haruna Yoshida**, Yokohama (JP)
 (73) Assignee: **KYOCERA Corporation**, Kyoto-shi, Kyoto (JP)
 (**) Term: **15 Years**
 (21) Appl. No.: **29/611,750**
 (22) Filed: **Jul. 25, 2017**
 (30) **Foreign Application Priority Data**

Jan. 27, 2017 (JP) 2017-001472

(51) **LOC (11) Cl.** **13-03**
 (52) **U.S. Cl.**
 USPC **D13/133; D13/146**
 (58) **Field of Classification Search**
 USPC D13/118, 123, 133, 146, 147, 173, 184, D13/199
 CPC H01R 12/00; H01R 12/52; H01R 12/70; H01R 12/71; H01R 13/22; H01R 13/28; H01R 13/405; H01R 13/631; H01R 24/62; H05K 1/00
 See application file for complete search history.

(56) **References Cited**

U.S. PATENT DOCUMENTS

D733,058 S * 6/2015 Miyazaki D13/147
 D743,904 S * 11/2015 Kobuchi D13/147
 2008/0090459 A1 * 4/2008 Ho H01R 12/7076
 439/625
 2008/0207014 A1 * 8/2008 Takeuchi H01R 13/6275
 439/74

2015/0140841 A1 * 5/2015 Watanabe H01R 12/7011
 439/74
 2015/0214643 A1 * 7/2015 Lee H01R 12/7029
 439/655
 2016/0056553 A1 * 2/2016 Brubaker H01R 12/53
 439/78
 2016/0056557 A1 * 2/2016 Chen H01R 12/716
 439/660

FOREIGN PATENT DOCUMENTS

JP 1504094 S 8/2014
 JP 1555651 S 8/2016

* cited by examiner

Primary Examiner — Angela J Lee
Assistant Examiner — Shawn T Gingrich
 (74) *Attorney, Agent, or Firm* — Kenja IP Law PC

(57) **CLAIM**

The ornamental design for an electric connector, as shown and described.

DESCRIPTION

FIG. 1 is a front perspective view of an electric connector showing our new design;
 FIG. 2 is a front view thereof;
 FIG. 3 is a top view thereof;
 FIG. 4 is a right side view thereof;
 FIG. 5 is a left side view thereof;
 FIG. 6 is a bottom view thereof; and,
 FIG. 7 is a section view taken along line 7-7 in FIG. 2.
 The Dash-Dash broken lines shown in the drawings illustrate portions of the electric connector that form no part of the claimed design. The Dash-Dot-Dash broken lines in the drawings are used to show the boundary of the claim and form no part of the claimed design.

1 Claim, 7 Drawing Sheets

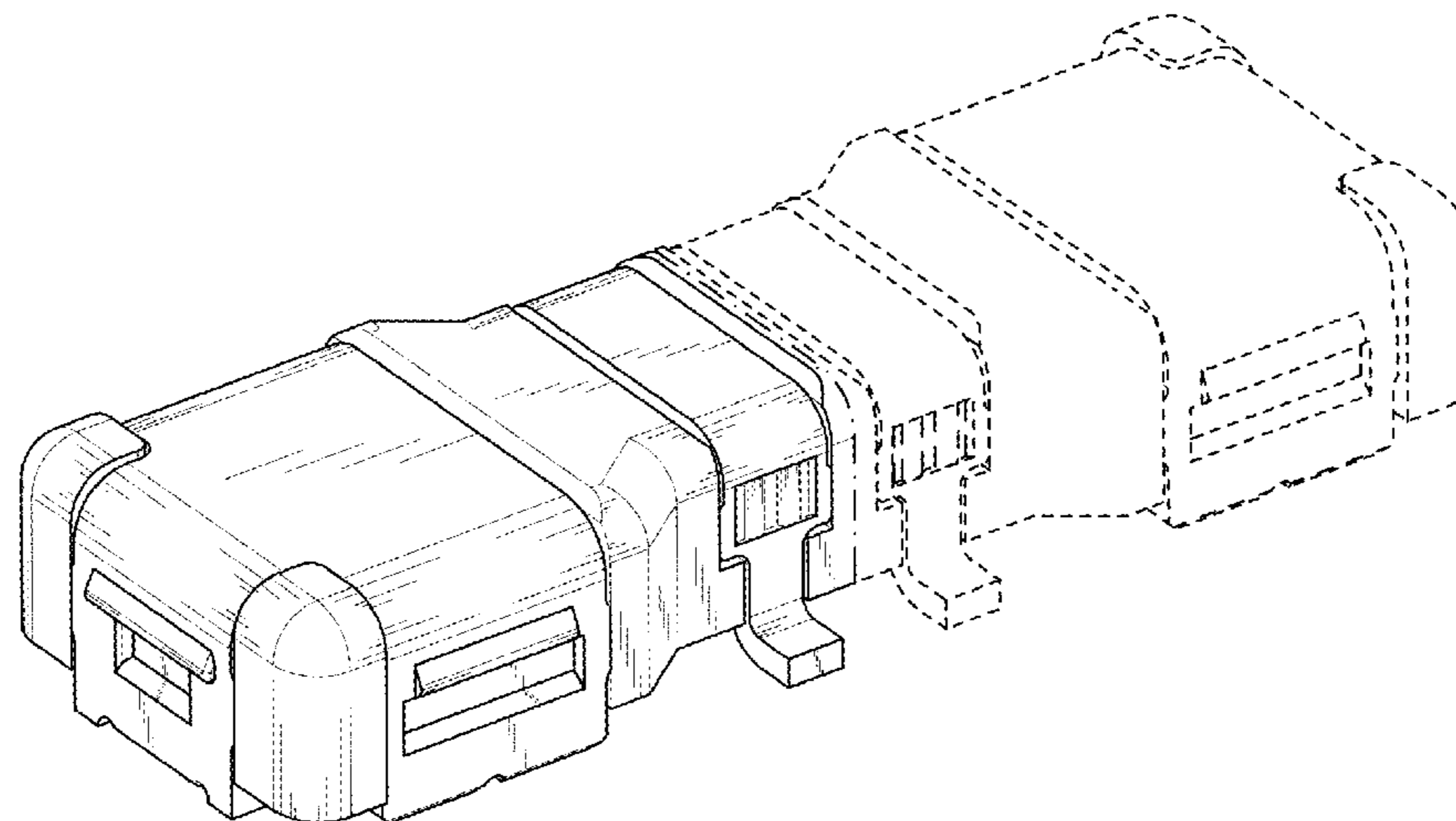


FIG. 1

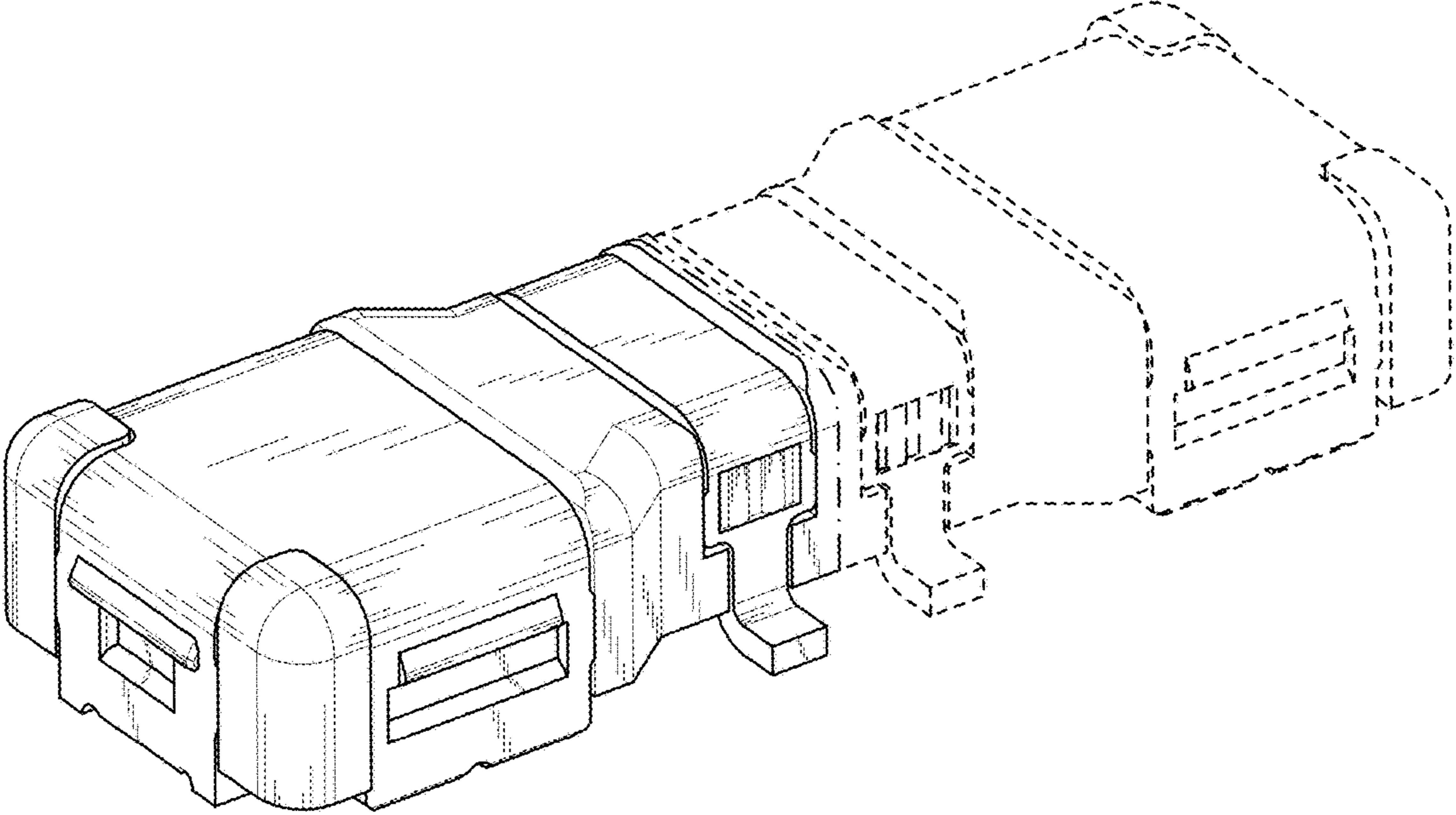


FIG. 2

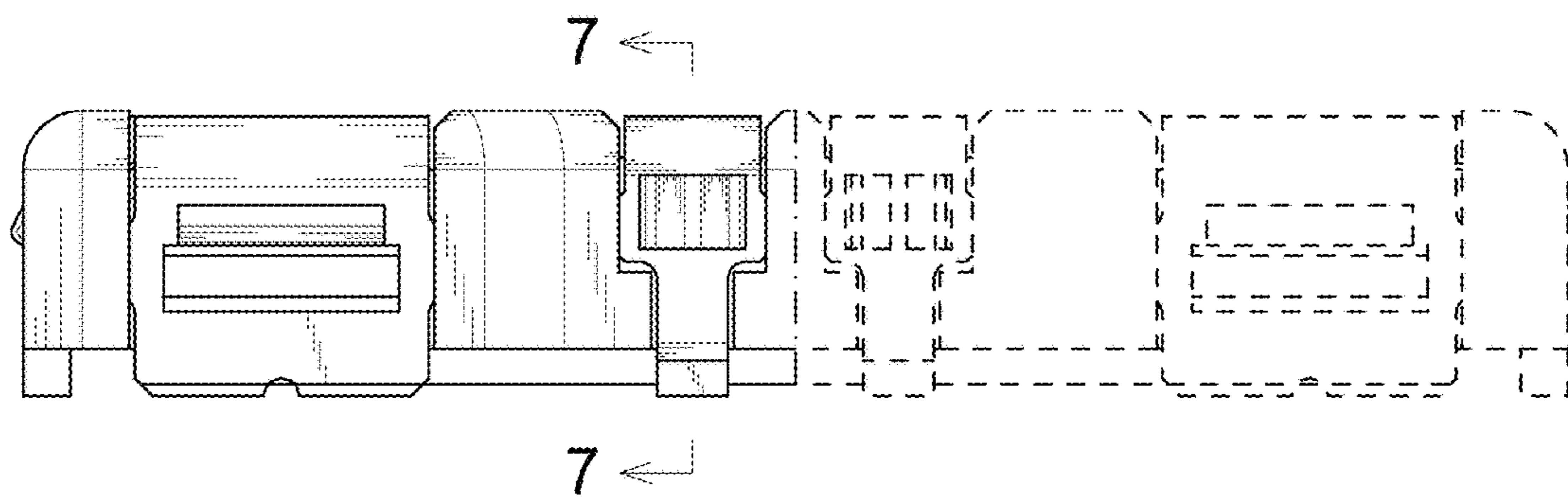


FIG. 3

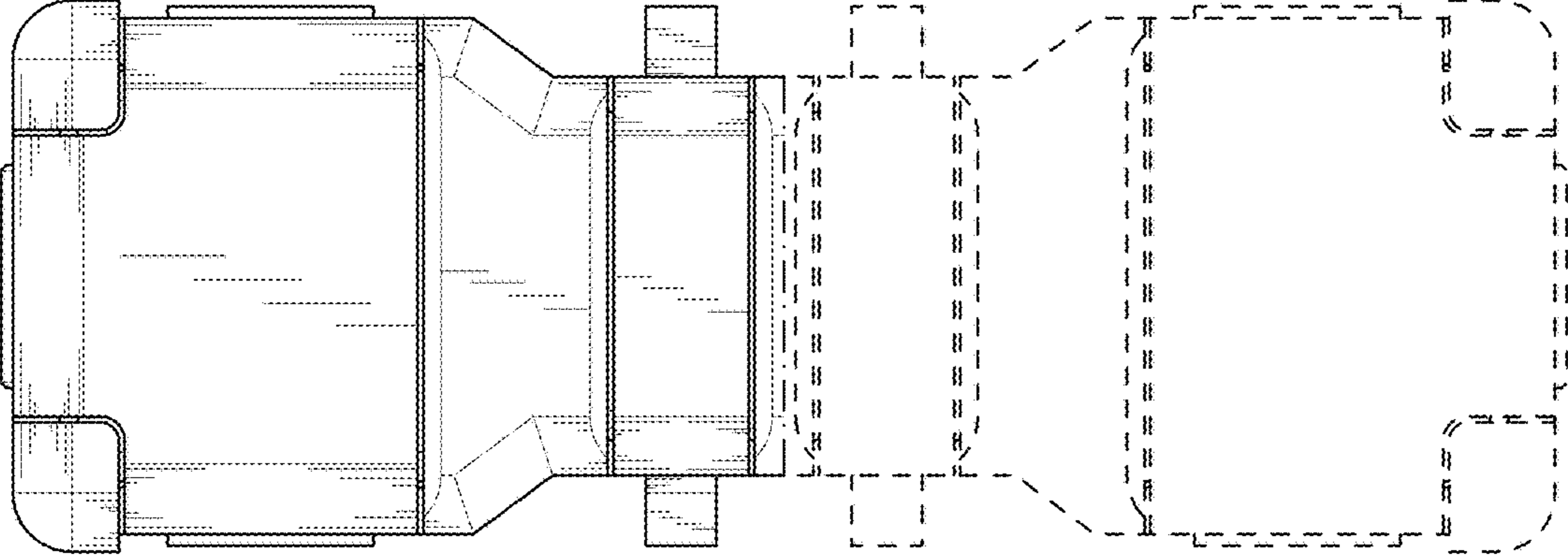


FIG. 4

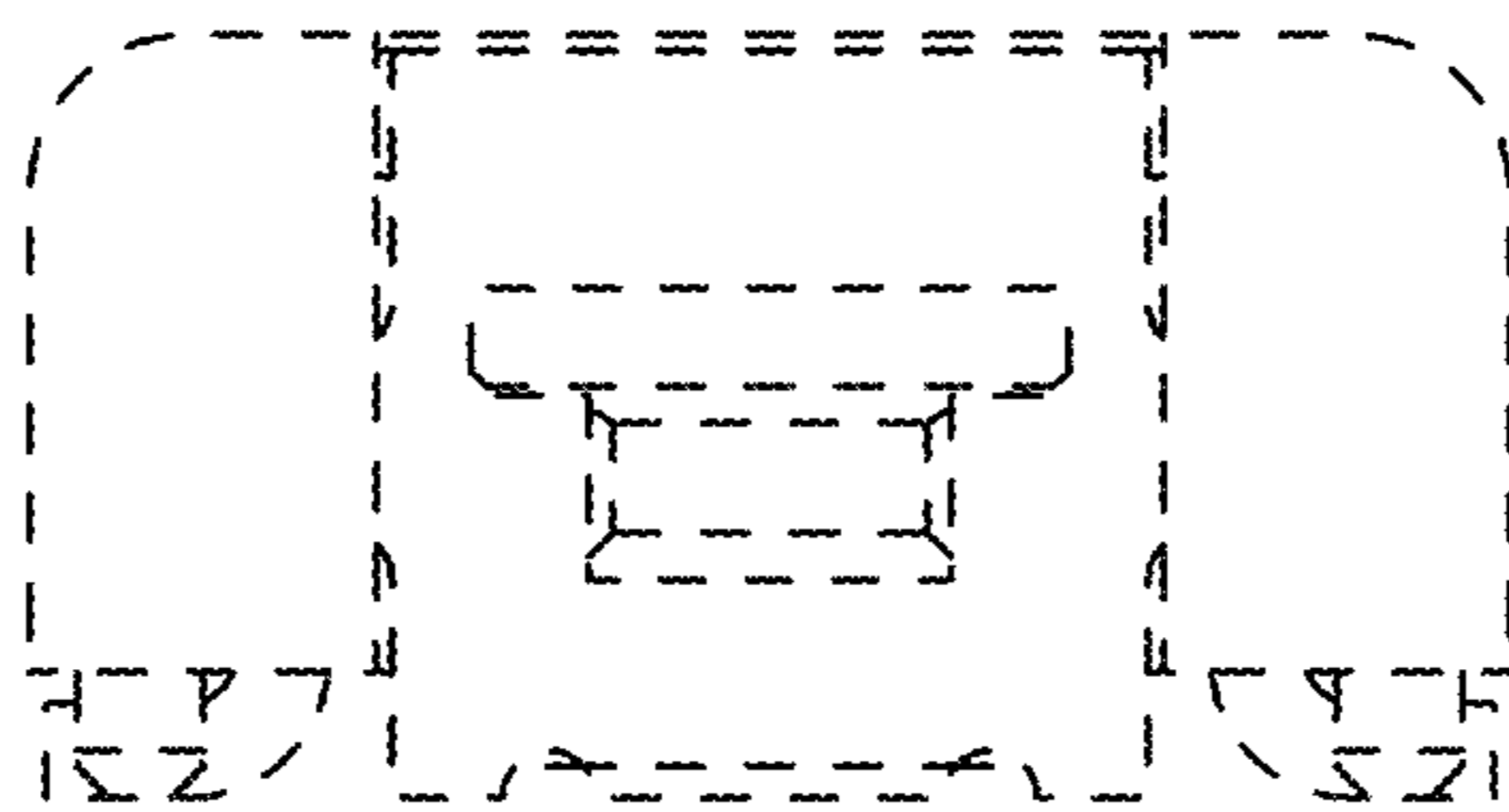


FIG. 5

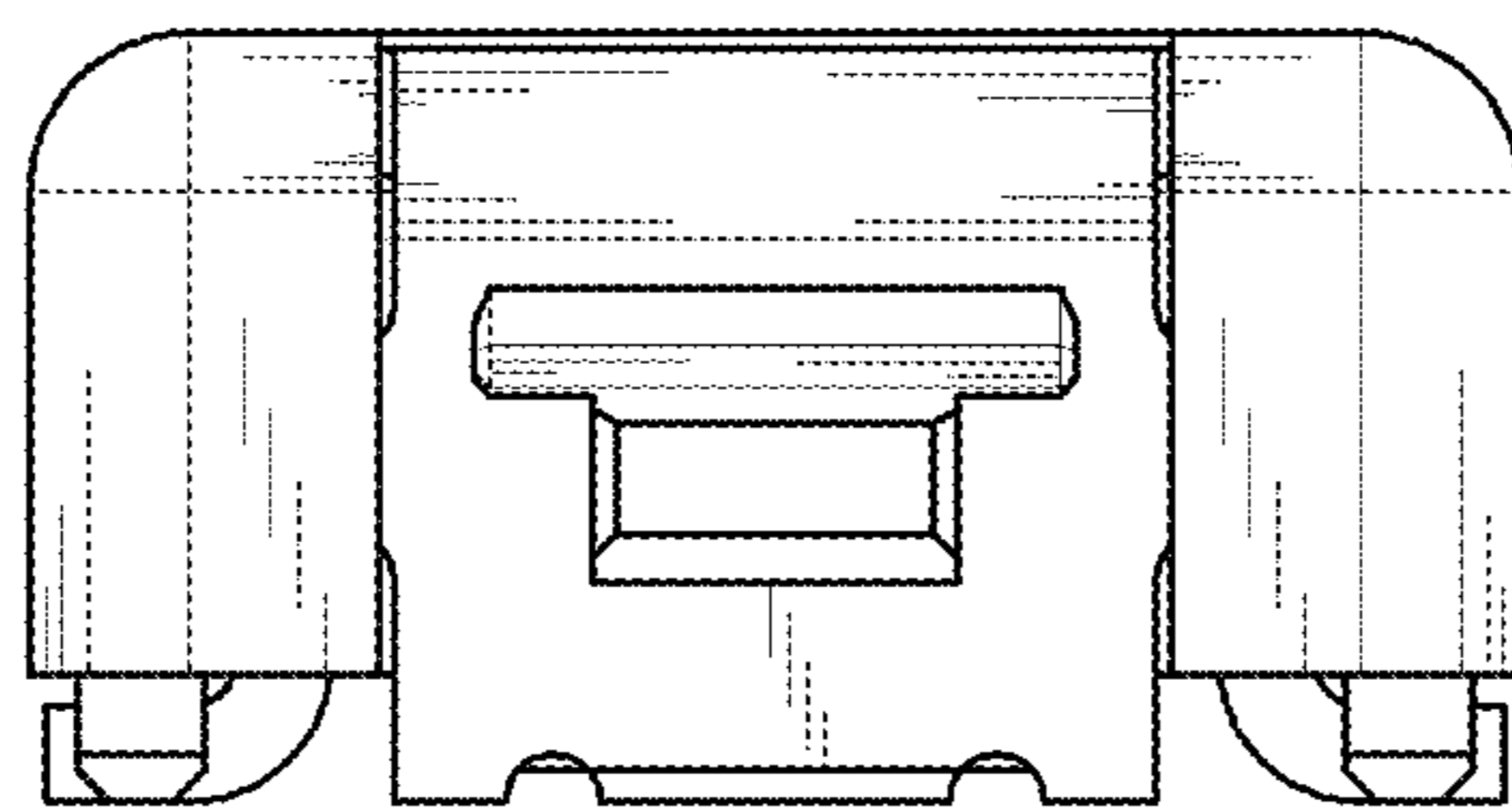


FIG. 6

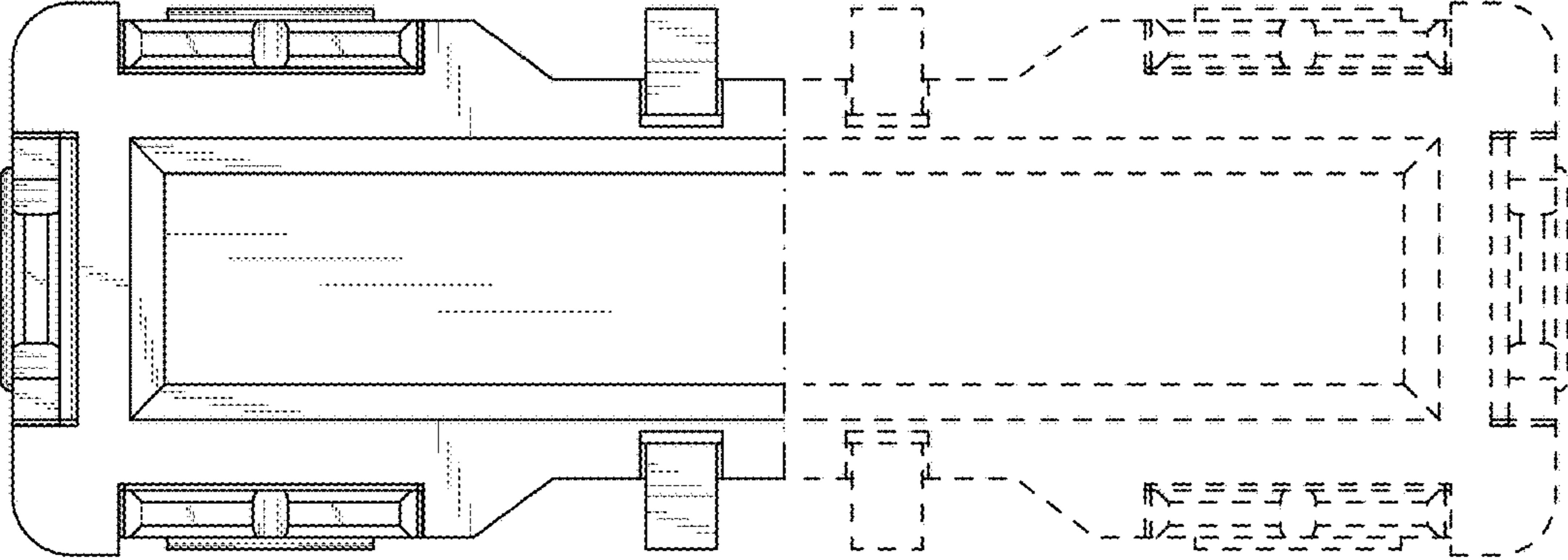


FIG. 7

