



US00D829659S

(12) **United States Design Patent** (10) **Patent No.:** **US D829,659 S**
Brandt et al. (45) **Date of Patent:** **** Oct. 2, 2018**

(54) **CONDUCTOR**

- (71) Applicant: **Eaton Corporation**, Cleveland, OH (US)
- (72) Inventors: **Douglas Michael Brandt**, Wampum, PA (US); **Brad Robert Leccia**, Bethel Park, PA (US); **Richard Blaine Frye, IV**, Aliquippa, PA (US); **Zachary Ryan Jenkins**, Pittsburgh, PA (US)
- (73) Assignee: **EATON INTELLIGENT POWER LIMITED**, Dublin (IE)
- (**) Term: **15 Years**
- (21) Appl. No.: **29/605,012**
- (22) Filed: **May 23, 2017**

Related U.S. Application Data

- (63) Continuation-in-part of application No. 29/564,946, filed on May 17, 2016, now Pat. No. Des. 801,930.
- (51) **LOC (11) Cl.** **13-03**
- (52) **U.S. Cl.**
USPC **D13/133**
- (58) **Field of Classification Search**
USPC D13/101-110, 116, 118, 123, 133-135, D13/146-151, 153-156, 159, 161, 173, D13/184, 199; D14/356, 432
CPC G01R 27/04; G01R 27/32; G01R 31/021; G01R 31/022; G01R 31/081; G01R 33/0283; H01H 2001/5827; H01H 39/006; H01H 53/00; H01H 53/02; H01H 71/002; H01H 71/462; H01H 2001/5861; H01R 4/02; H01R 4/2408; H01R 4/30; H01R 4/2437; H01R 4/2441; H01R 4/2458; H01R 4/38; H01R 4/60; H01R 13/04; H01R 13/10; H01R 13/15; H01R 13/516; H01R 13/631

See application file for complete search history.

(56) **References Cited**

U.S. PATENT DOCUMENTS

2,287,761 A	6/1942	Matthysse	
3,829,647 A *	8/1974	Cleveland	H01B 7/426 165/182
3,973,096 A *	8/1976	Burgoon	H01H 9/52 200/289
4,005,297 A *	1/1977	Cleveland	F28D 15/02 165/104.26
4,538,133 A	8/1985	Pflanz	
4,692,577 A *	9/1987	Swanson	H01H 39/006 200/82 B
D613,257 S	4/2010	Clifton	
8,278,582 B2 *	10/2012	Tu	H01H 9/52 200/289
D795,809 S *	8/2017	Brandt	D13/133
9,767,978 B1 *	9/2017	Brandt	H01H 71/0235
2007/0252667 A1	11/2007	Zhou et al.	

(Continued)

Primary Examiner — Mary Ann Calabrese

Assistant Examiner — Catherine Ho

(74) *Attorney, Agent, or Firm* — Eckert Seamans

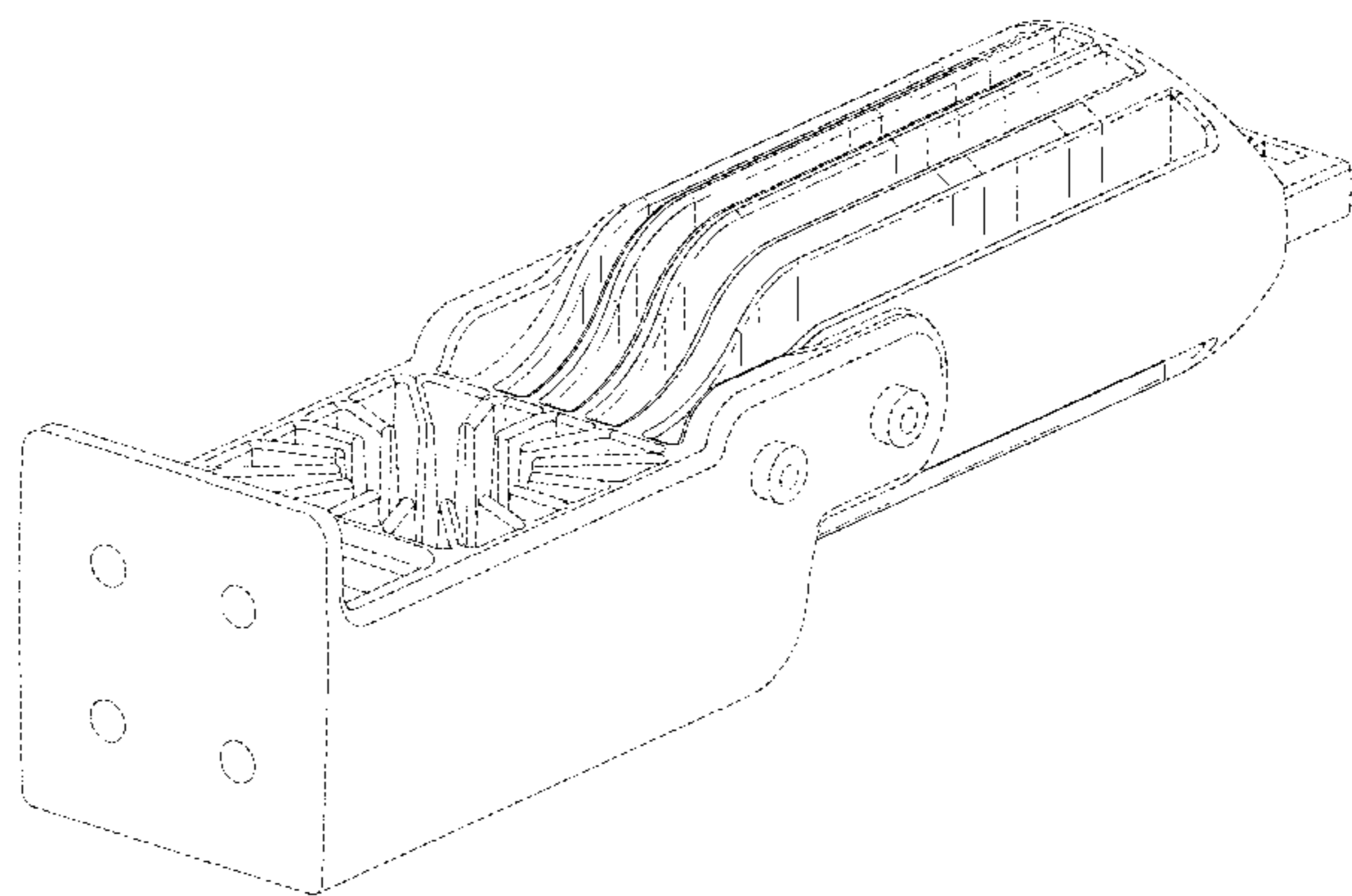
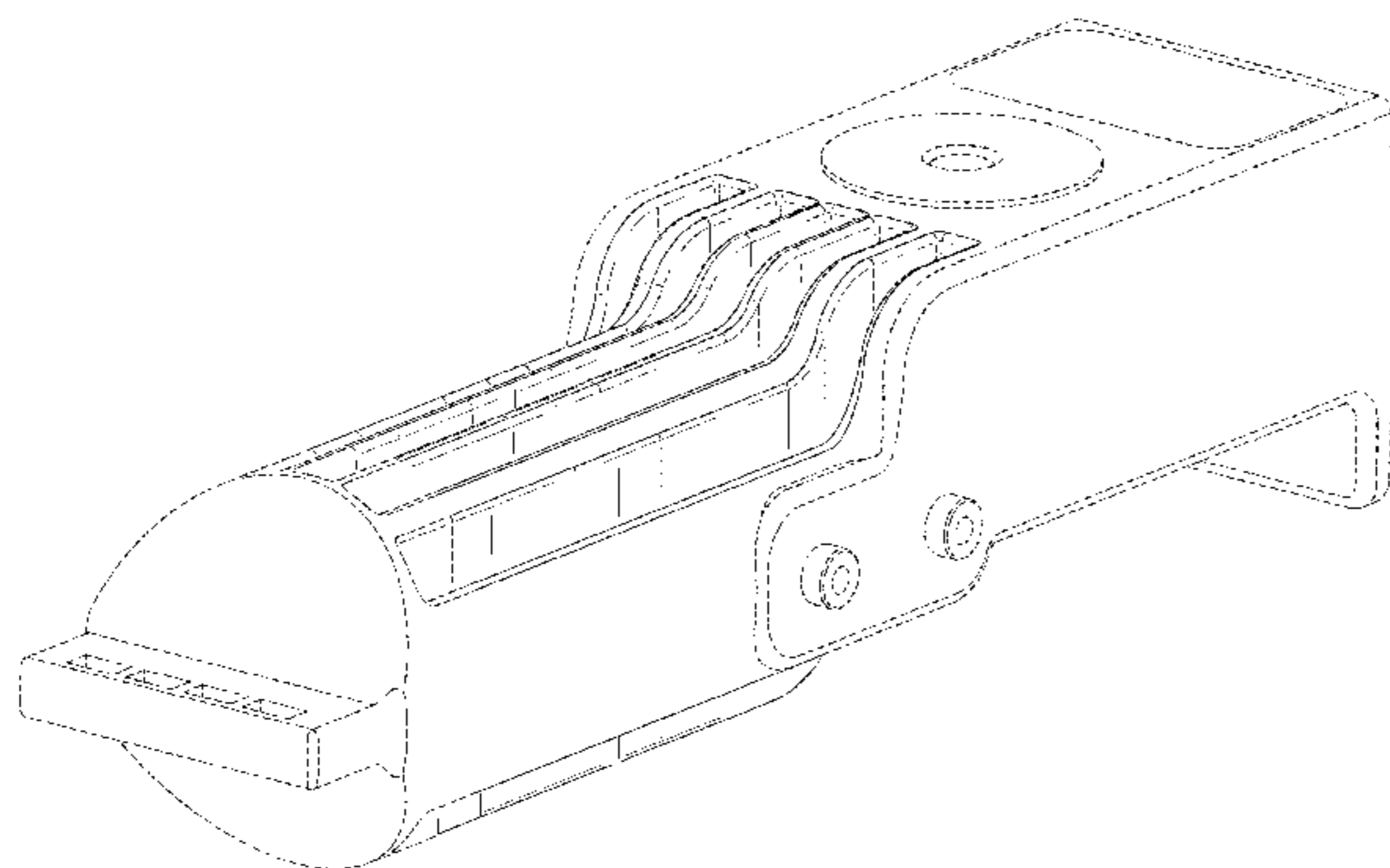
(57) **CLAIM**

The ornamental design for a conductor, as shown and described.

DESCRIPTION

FIG. 1 is an isometric view of the conductor;
 FIG. 2 is another isometric view of the conductor;
 FIG. 3 is a top view of the conductor;
 FIG. 4 is a bottom view of the conductor;
 FIG. 5 is a left view of the conductor;
 FIG. 6 is a right view of the conductor;
 FIG. 7 is a front view of the conductor; and,
 FIG. 8 is a back view of the conductor.
 The broken lines shown represent unclaimed subject matter and form no part of the claimed subject matter.

1 Claim, 7 Drawing Sheets



(56)

References Cited

U.S. PATENT DOCUMENTS

2007/0253124 A1 11/2007 Zhou et al.
2009/0255905 A1* 10/2009 Lee H01H 33/6606
218/139
2014/0087607 A1 3/2014 Kojima et al.
2015/0139275 A1* 5/2015 Park H01H 11/0062
374/152
2015/0180166 A1 6/2015 Wu et al.
2016/0197429 A1 7/2016 Borkar et al.
2016/0197430 A1 7/2016 Fujita et al.

* cited by examiner

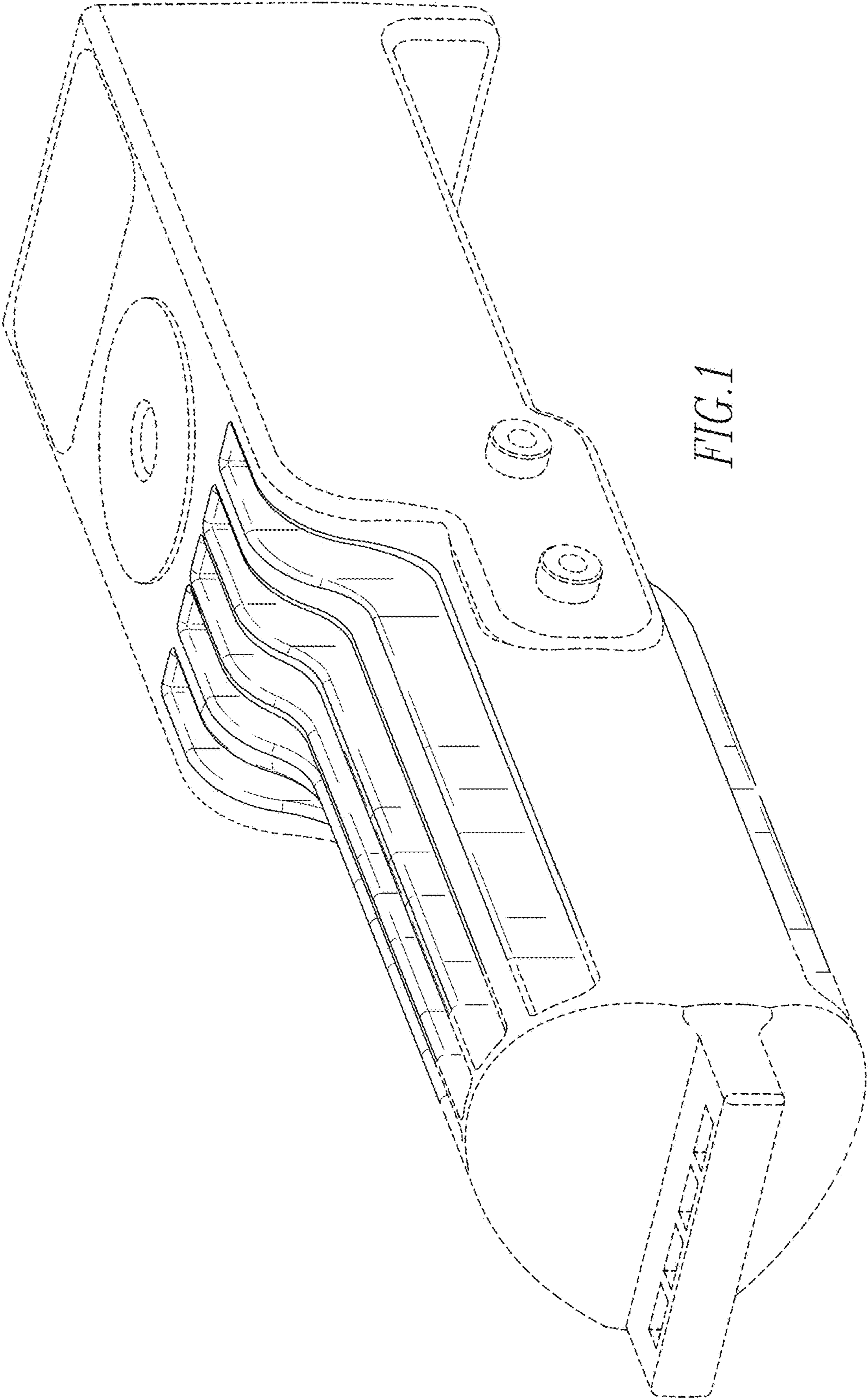


FIG. 1

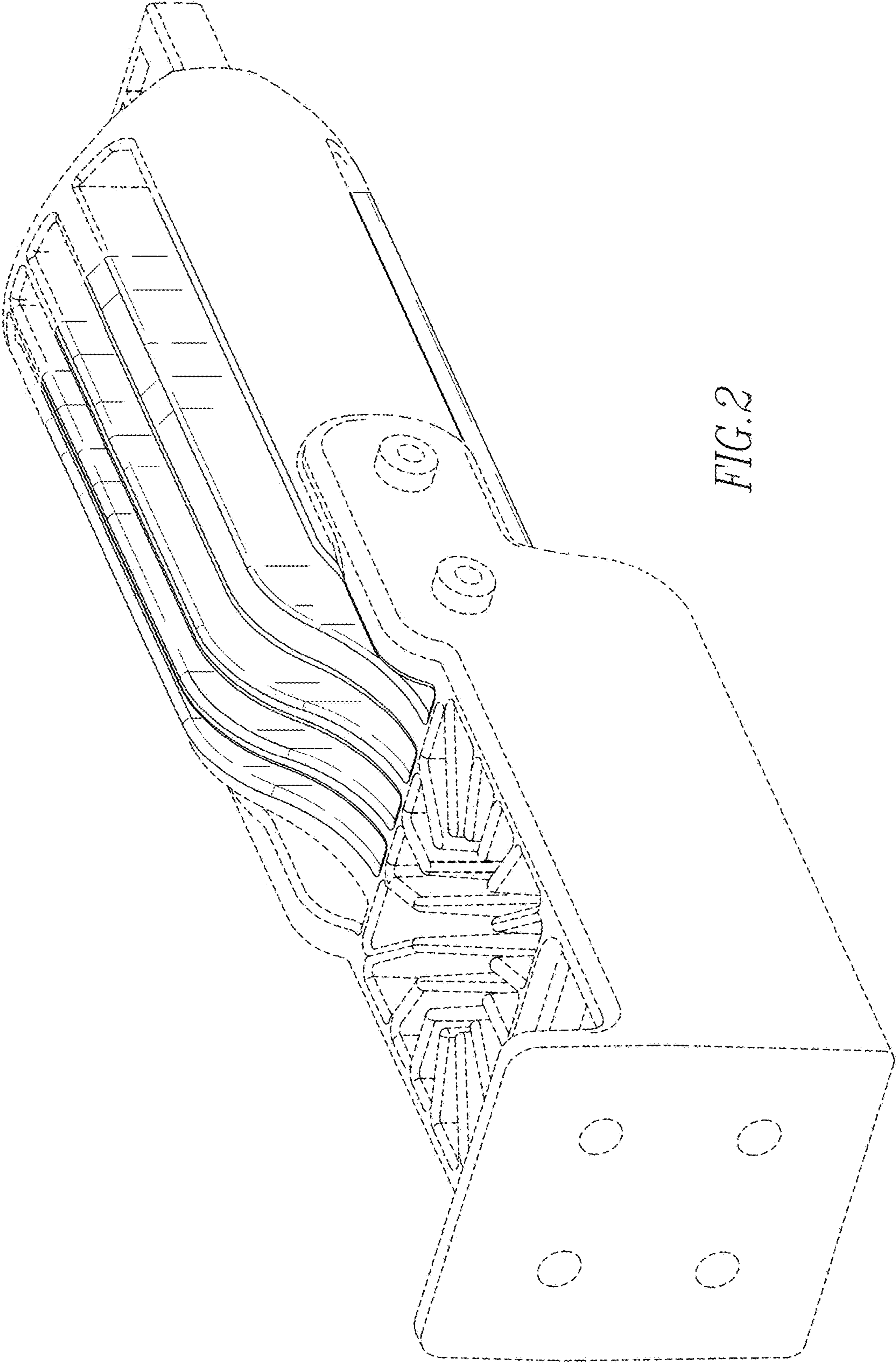


FIG. 2

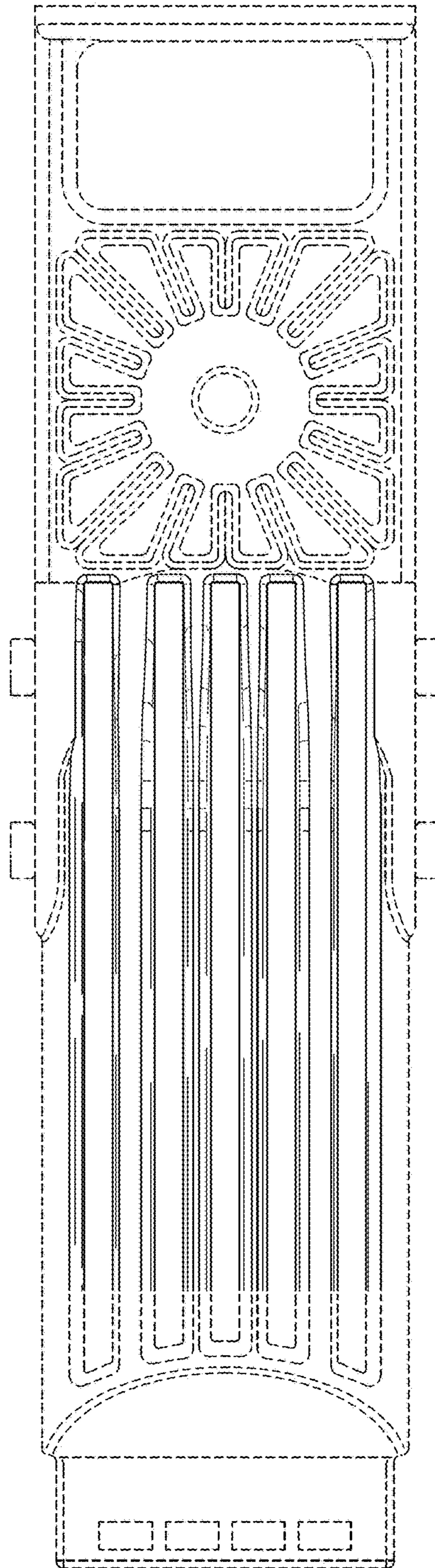


FIG. 3

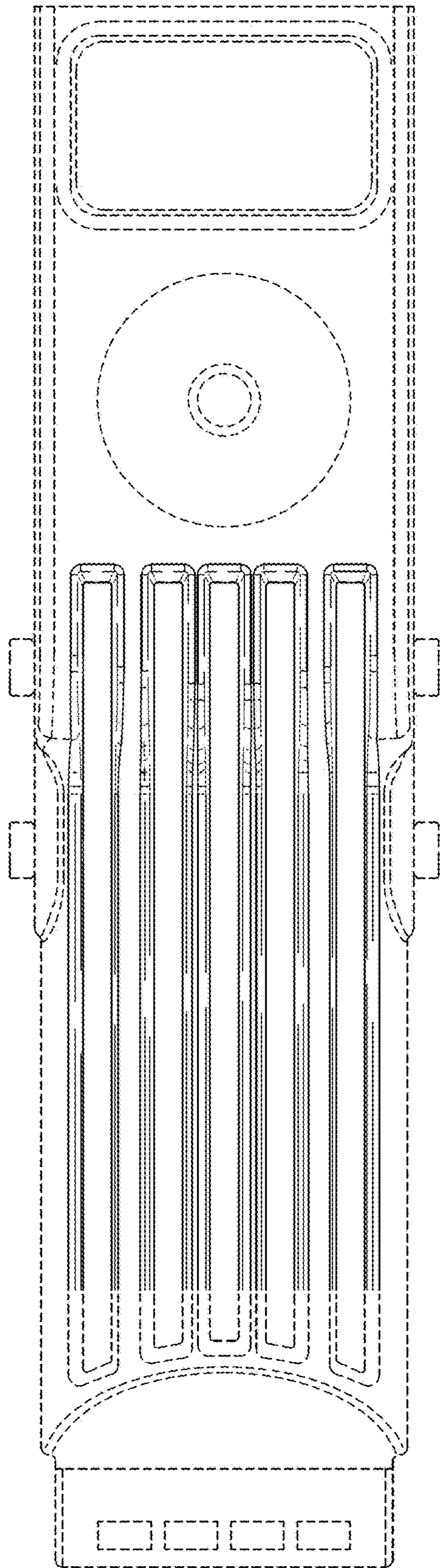


FIG. 4

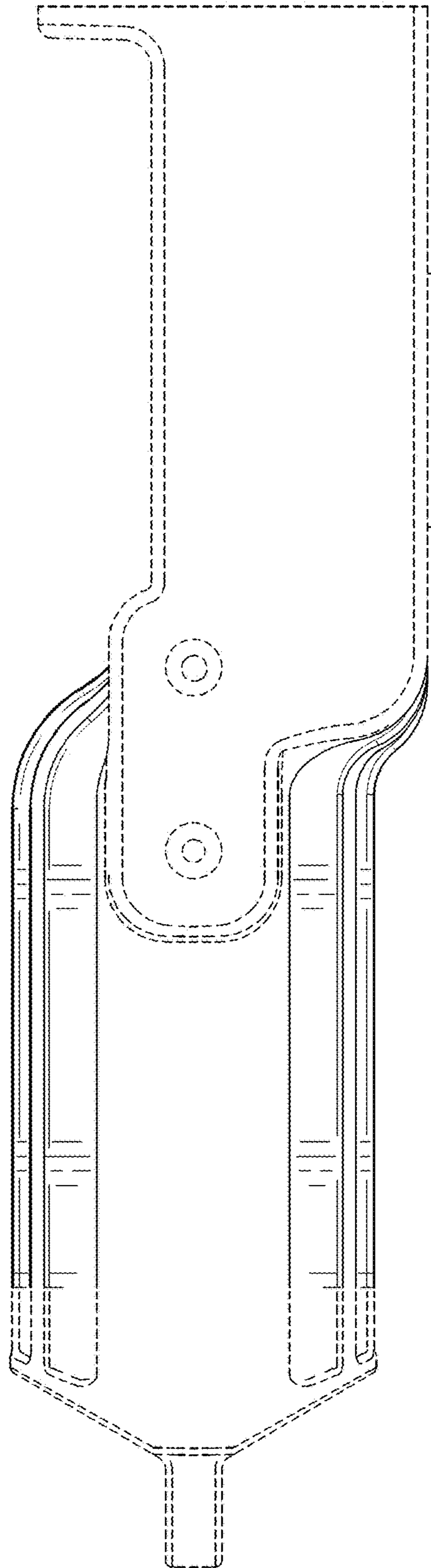


FIG. 5

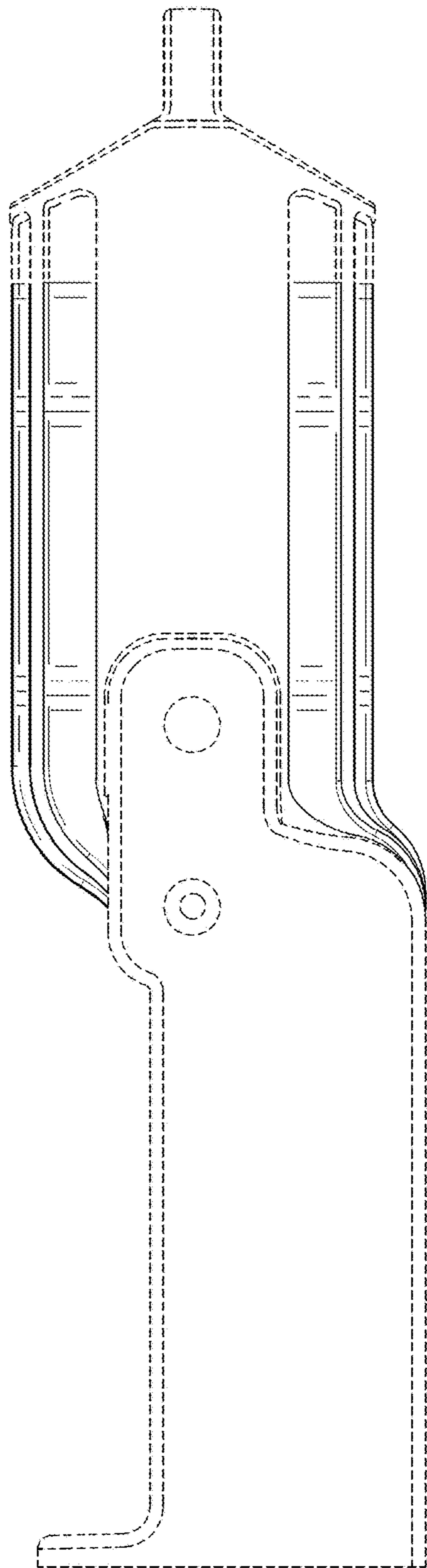


FIG. 6

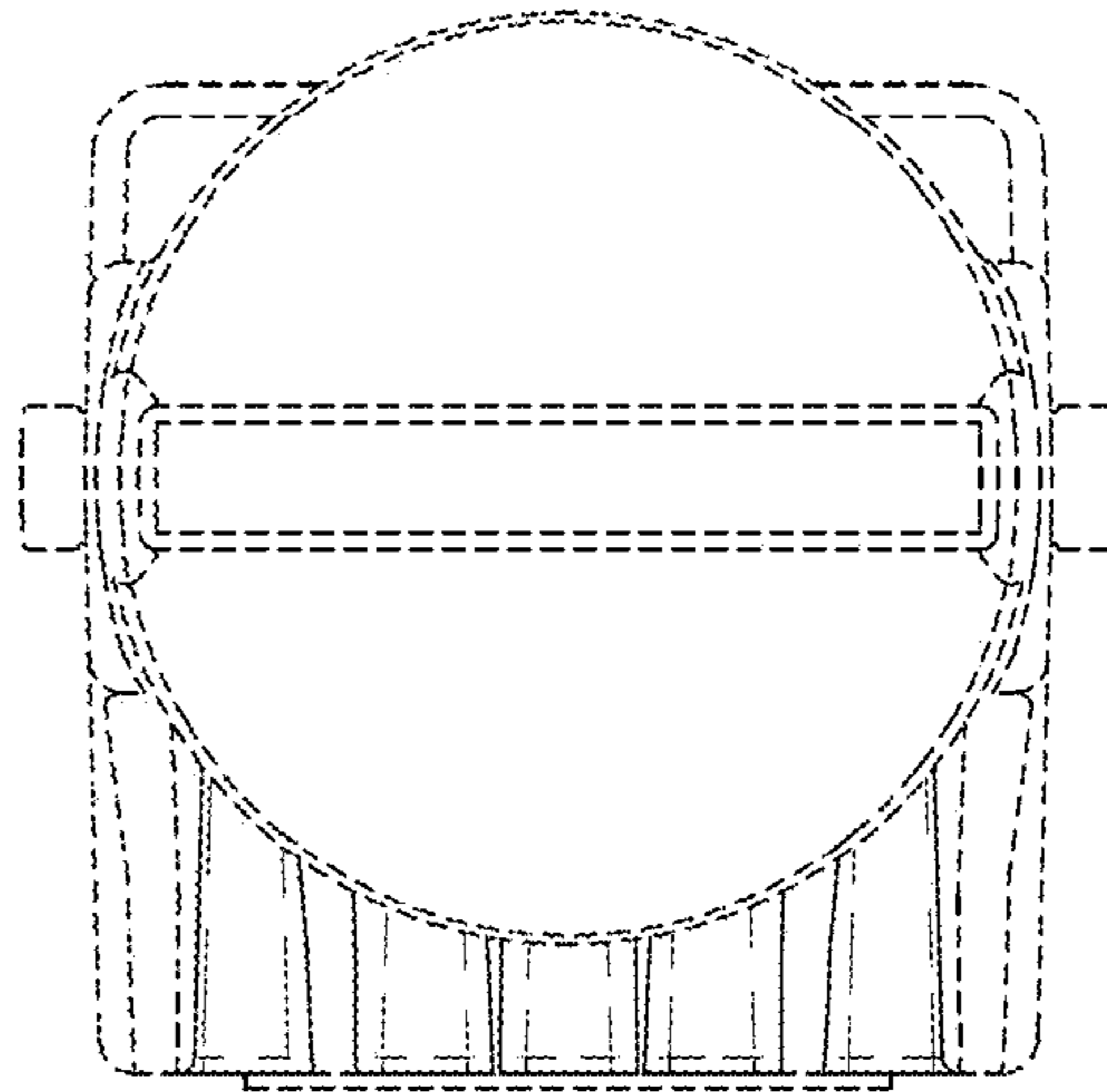


FIG. 7

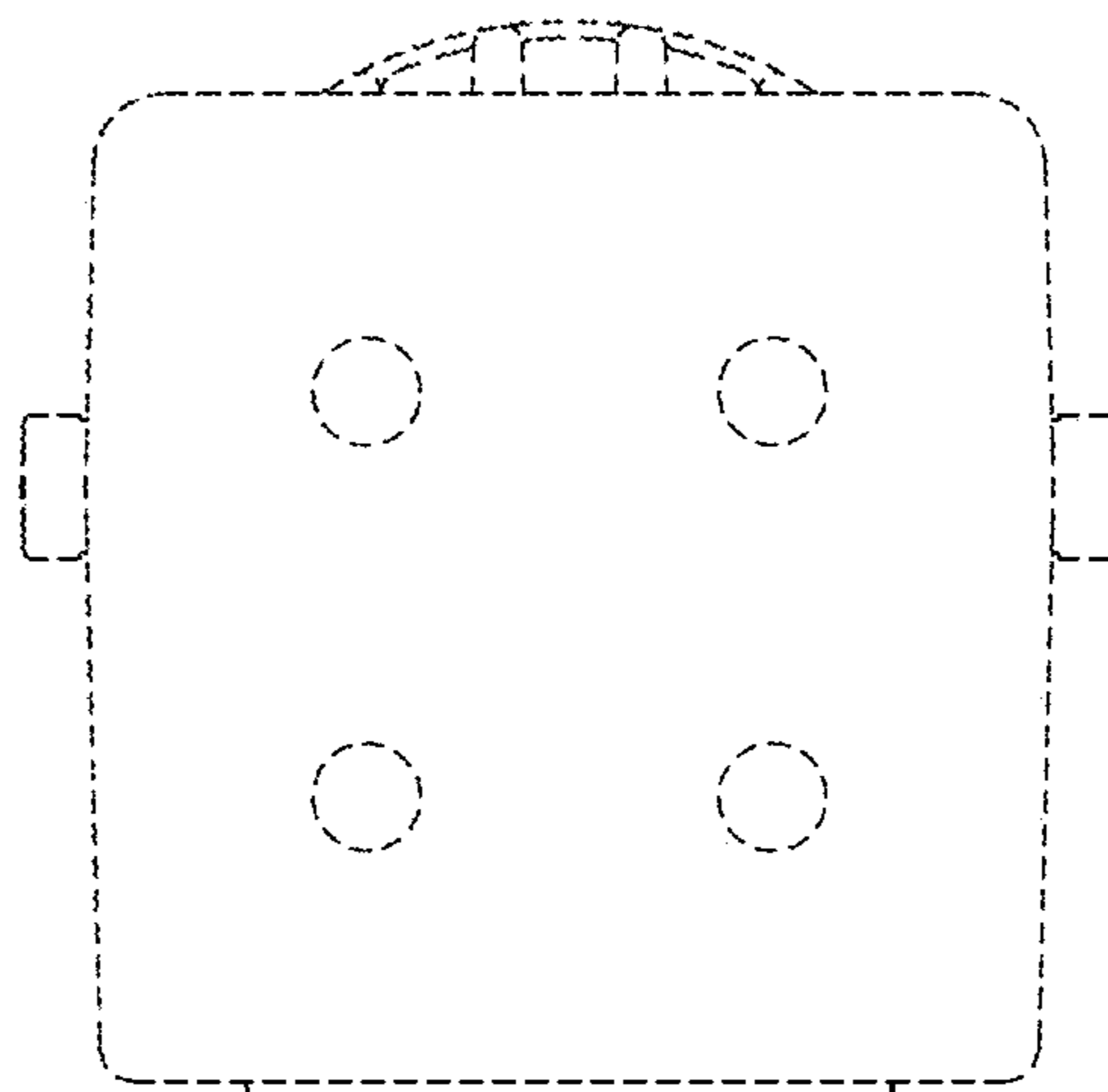


FIG. 8