



US00D829658S

(12) **United States Design Patent** (10) **Patent No.:** **US D829,658 S**
Ramanna et al. (45) **Date of Patent:** **** Oct. 2, 2018**

(54) **CONNECTOR ASSEMBLY**
(71) Applicant: **Molex, LLC**, Lisle, IL (US)
(72) Inventors: **Nrupathunga Chakravarthy Somanathapura Ramanna**, Bangalore (IN); **KrishnaPrasad Somanath**, Bangalore (IN); **Michael Gonzalez**, Lisle, IL (US)
(73) Assignee: **Molex, LLC**, Lisle, IL (US)
(**) Term: **15 Years**
(21) Appl. No.: **29/595,840**

D385,849 S * 11/1997 Mathews D13/133
5,685,731 A 11/1997 Lin
5,762,520 A 6/1998 Martin
5,908,327 A 6/1999 Tsuji et al.
5,928,038 A 7/1999 Berg et al.
7,217,161 B1 5/2007 Tyler et al.
D547,722 S 7/2007 Harano et al.
D555,593 S 11/2007 Harano et al.
D626,068 S * 10/2010 Giefers D13/133
D678,838 S * 3/2013 Henrink D13/133
D682,793 S 5/2013 Igelmund
D691,560 S * 10/2013 Wang D13/133
8,678,846 B2 3/2014 Hitchcock et al.
D714,724 S * 10/2014 Vogelmann D13/133
D774,466 S * 12/2016 Corona D13/147
D798,237 S * 9/2017 Peng D13/133

(Continued)

(22) Filed: **Mar. 2, 2017**
(51) **LOC (11) Cl.** **13-03**
(52) **U.S. Cl.**
USPC **D13/133**
(58) **Field of Classification Search**
USPC D13/107, 110, 112, 118, 123, 133,
D13/145-147, 149, 151, 154, 156, 173,
D13/184, 199
CPC H01R 13/00; H01R 13/40; H01R 13/50;
H01R 13/52; H01R 13/62; H01R 13/64;
H01R 13/405; H01R 13/58; H01R 13/63;
H01R 13/639; H01R 13/659; H01R
13/70; H01R 24/64
See application file for complete search history.

FOREIGN PATENT DOCUMENTS

WO 2008/148748 A1 12/2008
Primary Examiner — Cathron C Brooks
Assistant Examiner — Shawn T Gingrich
(74) *Attorney, Agent, or Firm* — Banner & Witcoff, Ltd.

(57) **CLAIM**

The ornamental design for connector assembly, as shown and described.

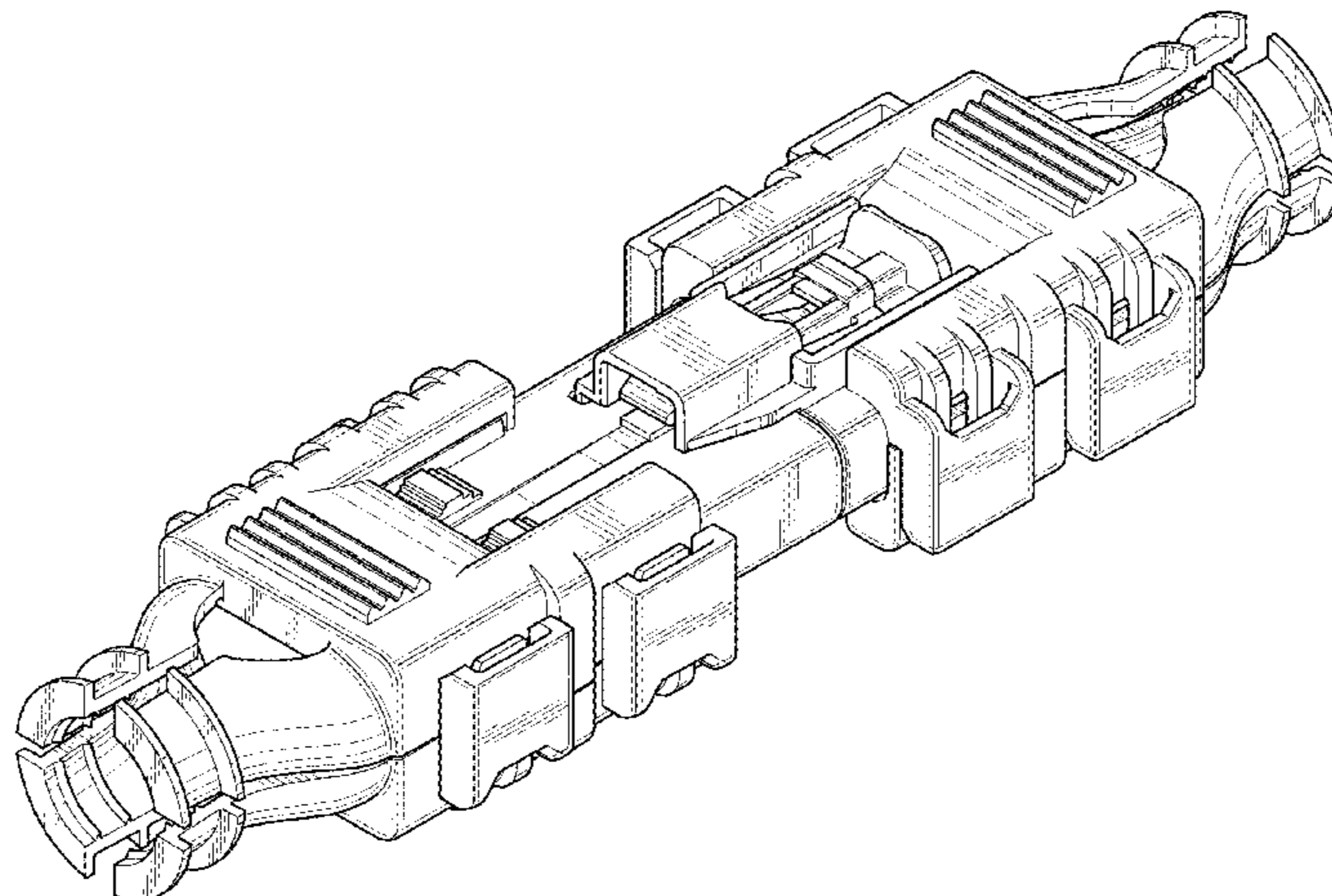
DESCRIPTION

FIG. 1 is a perspective view of connector assembly showing our new design;
FIG. 2 is a top view thereof;
FIG. 3 is a bottom view thereof;
FIG. 4 is a right side view thereof;
FIG. 5 is a left side view thereof;
FIG. 6 is a front view thereof; and,
FIG. 7 is a rear view thereof.
The broken lines depicting the remainder of the connector assembly show features that form no part of the claimed design.

(56) **References Cited**
U.S. PATENT DOCUMENTS

3,622,942 A 11/1971 Rynk
4,029,896 A 6/1977 Skinner
4,108,527 A 8/1978 Douty et al.
D251,906 S * 5/1979 Frantz D13/147
4,986,766 A 1/1991 Leonard et al.
D322,954 S * 1/1992 Avramovich D13/133
5,391,092 A 2/1995 Sumida
D379,177 S 5/1997 Chu

1 Claim, 7 Drawing Sheets



(56)

References Cited

U.S. PATENT DOCUMENTS

2010/0105238 A1* 4/2010 Good H01R 13/639
439/357
2013/0109225 A1* 5/2013 Liu H01R 24/64
439/492
2013/0130534 A1 5/2013 Ohkuma

* cited by examiner

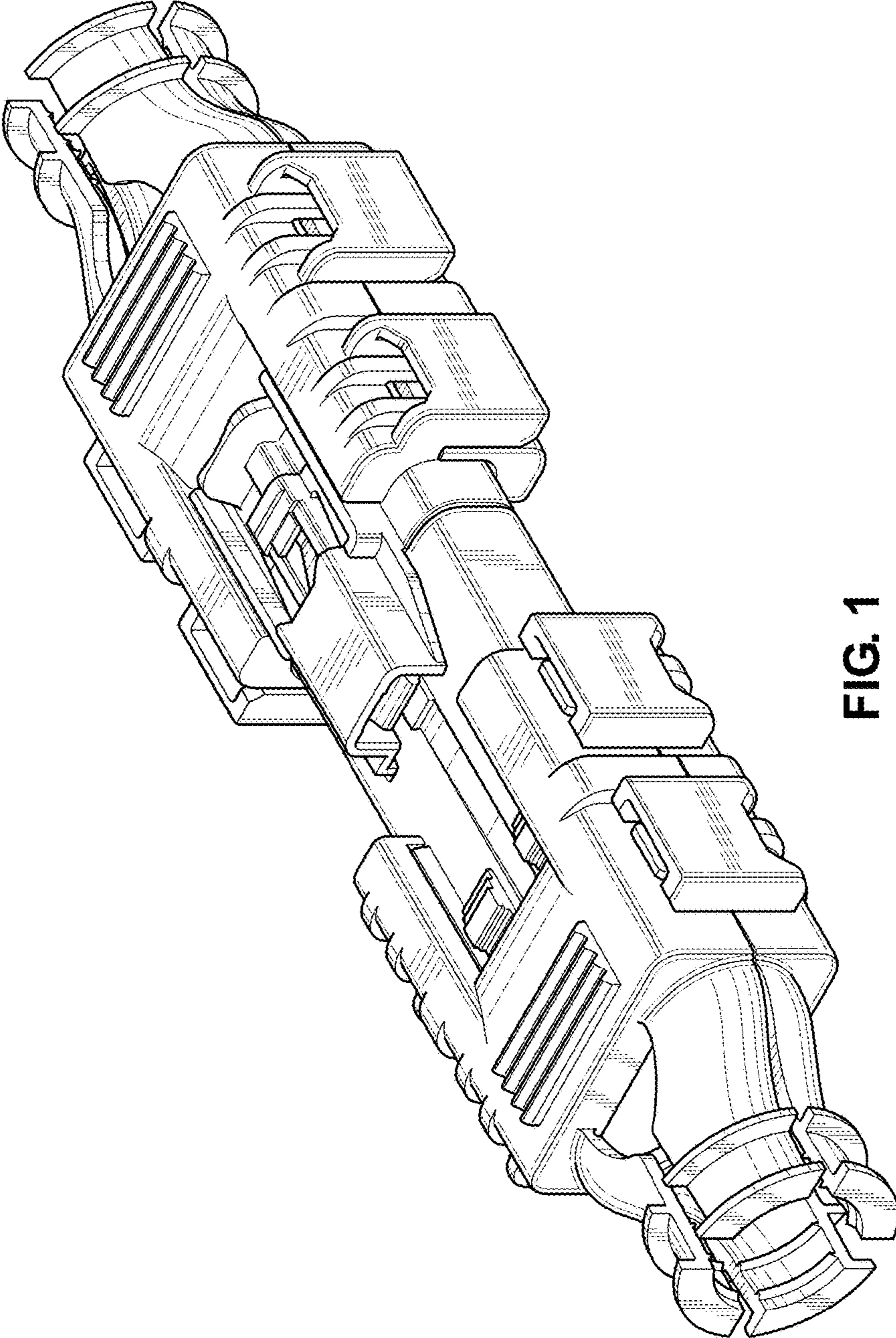


FIG. 1

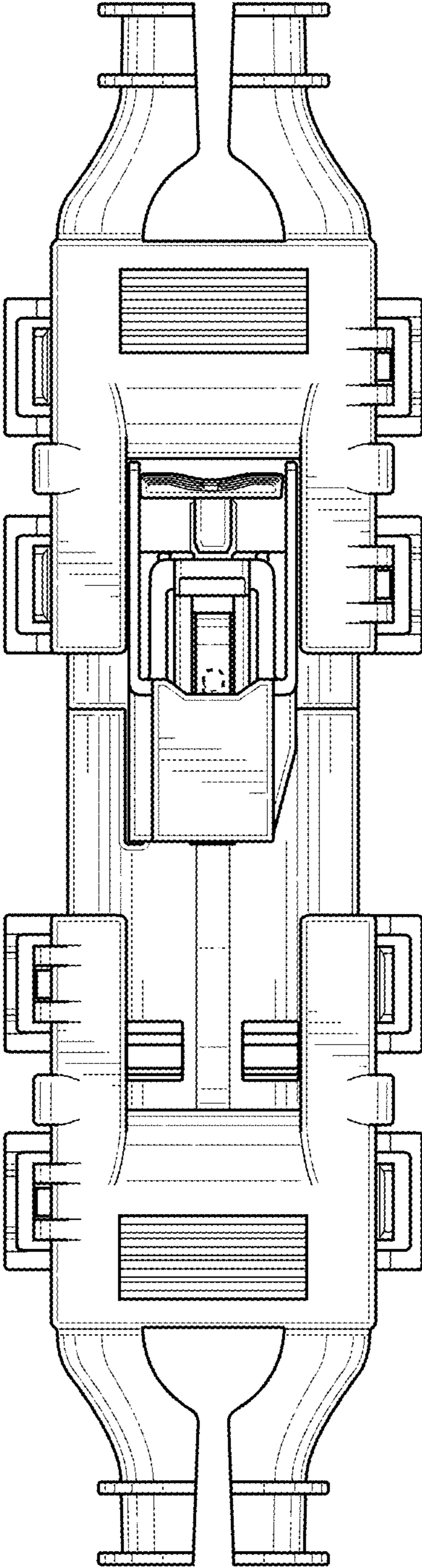


FIG. 2

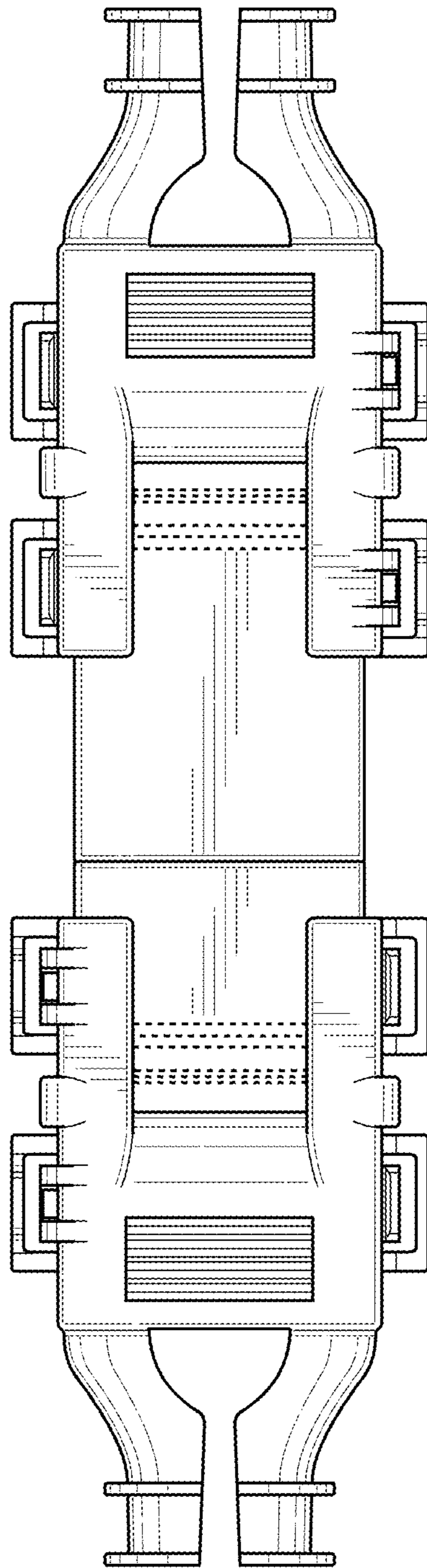


FIG. 3

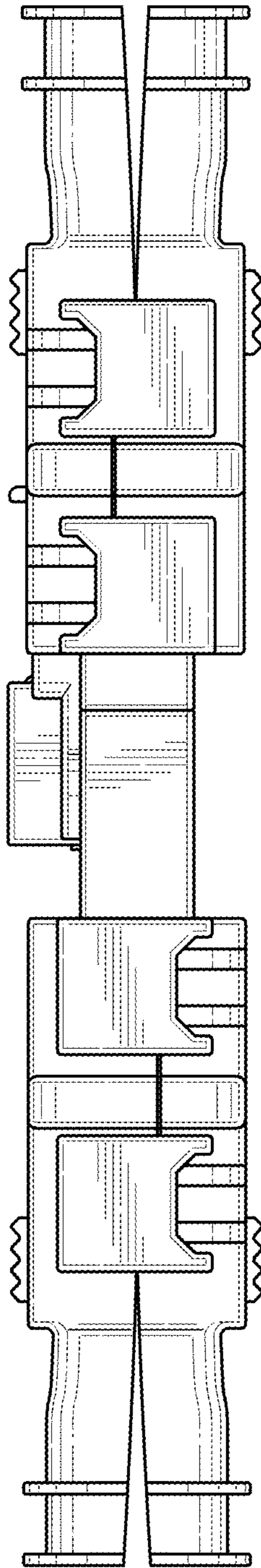


FIG. 4

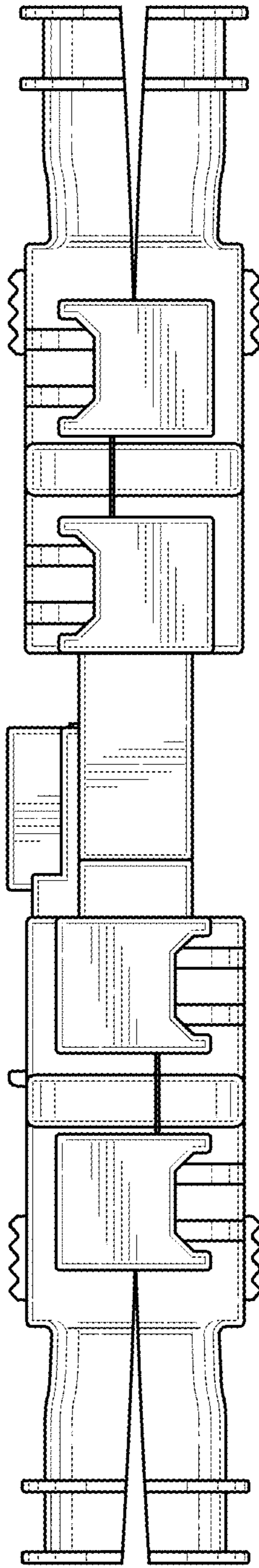


FIG. 5

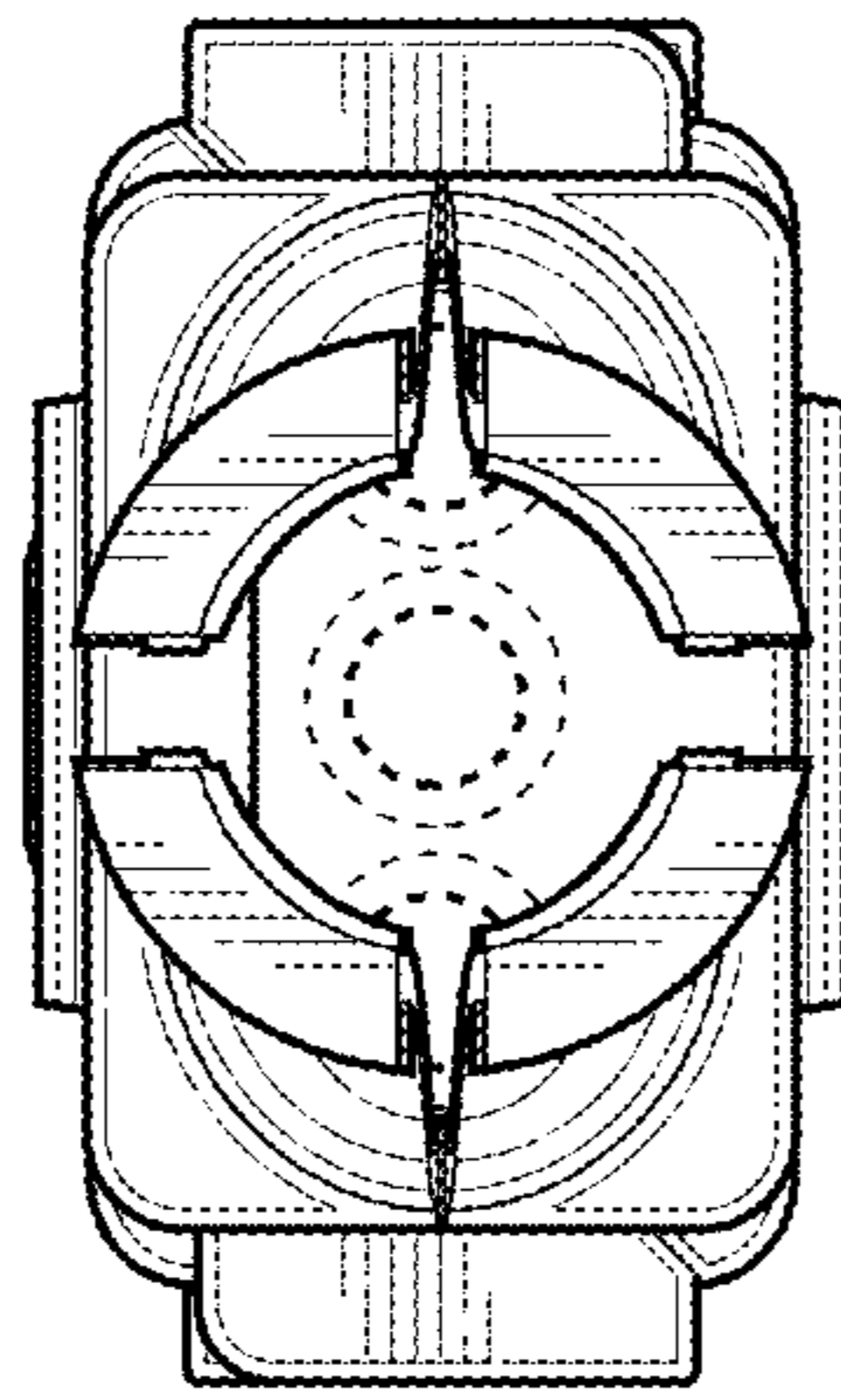


FIG. 6

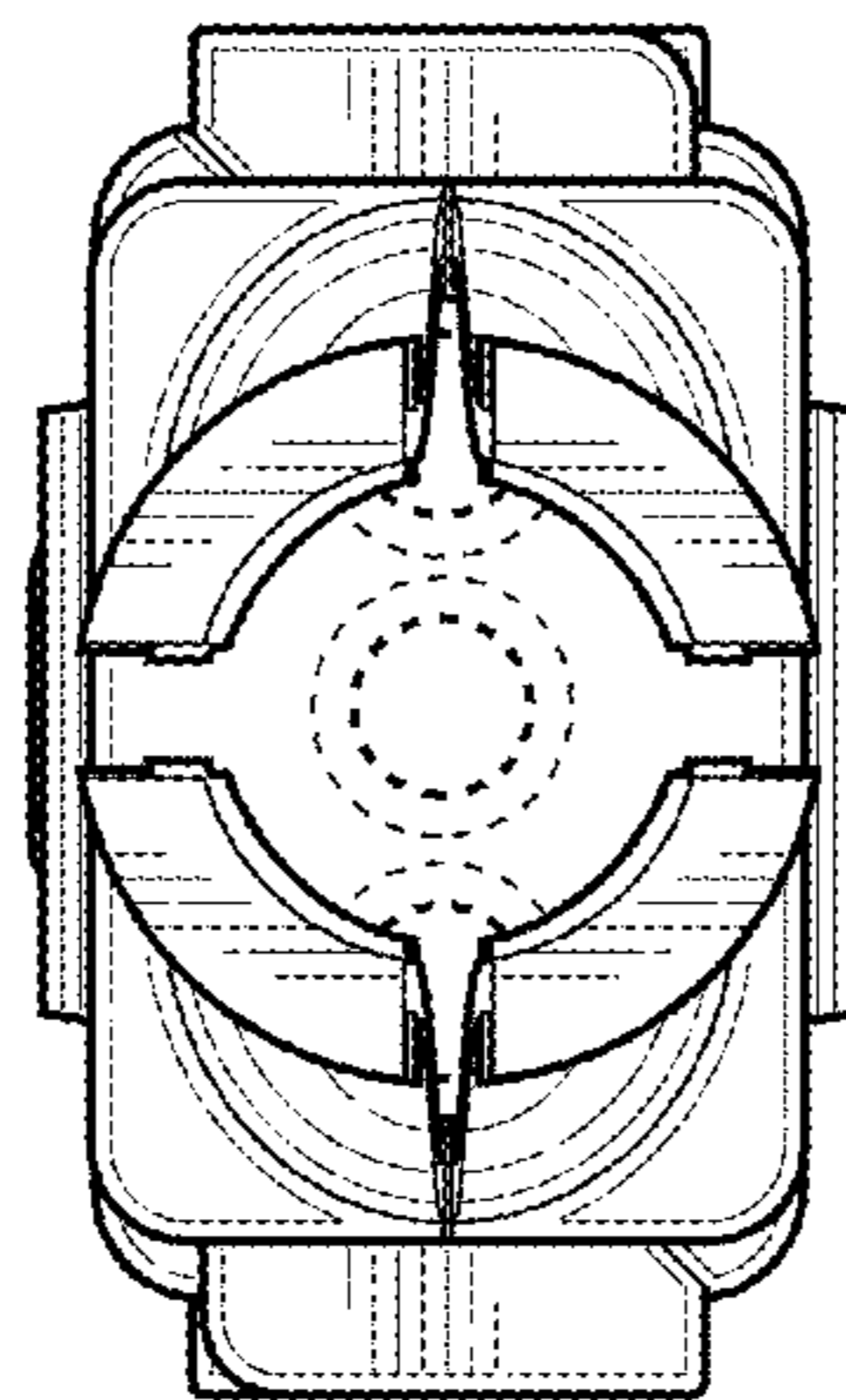


FIG. 7