



US00D829657S

(12) **United States Design Patent**
Hayashi

(10) **Patent No.:** **US D829,657 S**

(45) **Date of Patent:** **** Oct. 2, 2018**

(54) **ELECTRICAL CONNECTOR**

(71) Applicant: **Tyco Electronics Japan G.K.**,
Kanagawa (JP)

(72) Inventor: **Toshiaki Hayashi**, Kanagawa-ken (JP)

(73) Assignee: **Tyco Electronics Japan G.K.**,
Kanagawa (JP)

(**) Term: **15 Years**

(21) Appl. No.: **29/587,826**

(22) Filed: **Dec. 15, 2016**

(30) **Foreign Application Priority Data**

Jul. 7, 2016 (JP) 2016-014442

(51) **LOC (11) Cl.** **13-03**

(52) **U.S. Cl.**
USPC **D13/133**

(58) **Field of Classification Search**

USPC D13/101, 110, 118, 120, 123, 133, 134,
D13/146-149, 152-154, 173, 175, 177,
D13/178, 184, 199

CPC H01R 13/00; H01R 13/02; H01R 13/11;
H01R 13/40; H01R 13/51; H01R 13/533;
H01R 13/64; H01R 13/65; H01R 13/66;
H01R 13/74; H01R 24/60

See application file for complete search history.

(56) **References Cited**

U.S. PATENT DOCUMENTS

D465,458 S * 11/2002 Zhang D13/147
8,287,318 B1 * 10/2012 Walters F41F 3/0406
439/700
D695,223 S * 12/2013 Hyakutake D13/133
D698,730 S * 2/2014 Hori D13/146
8,824,841 B1 * 9/2014 Mullen G02B 6/32
29/428

D733,655 S * 7/2015 Sato D13/133
D753,065 S * 4/2016 Corona D13/146
D754,073 S * 4/2016 Katagiyama D13/133
D794,569 S * 8/2017 Giordano D13/133

FOREIGN PATENT DOCUMENTS

JP 984470 7/1997
JP 1414969 4/2011
JP 1434983 2/2012
JP 1435325 D 2/2012
JP 1540095 D 11/2014

* cited by examiner

Primary Examiner — Thomas J Johannes

Assistant Examiner — Shawn T Gingrich

(74) *Attorney, Agent, or Firm* — Barley Snyder

(57) **CLAIM**

The ornamental design for an electrical connector, as shown and described.

DESCRIPTION

FIG. 1 is a top elevation view of an electrical connector, showing the new design;

FIG. 2 is a front plan view thereof;

FIG. 3 is a rear plan view thereof;

FIG. 4 is a bottom plan view thereof;

FIG. 5 is a left side elevation view thereof;

FIG. 6 is a right side elevation view thereof;

FIG. 7 is a front, top and right side perspective view thereof;

FIG. 8 is a front, bottom right side perspective view thereof;

FIG. 9 is a rear, top and left side perspective view thereof;

and,

FIG. 10 is a rear, bottom and left side perspective view.

The broken line portion of the figure drawings is included to show portions of the article that form no part of the claimed design.

1 Claim, 10 Drawing Sheets

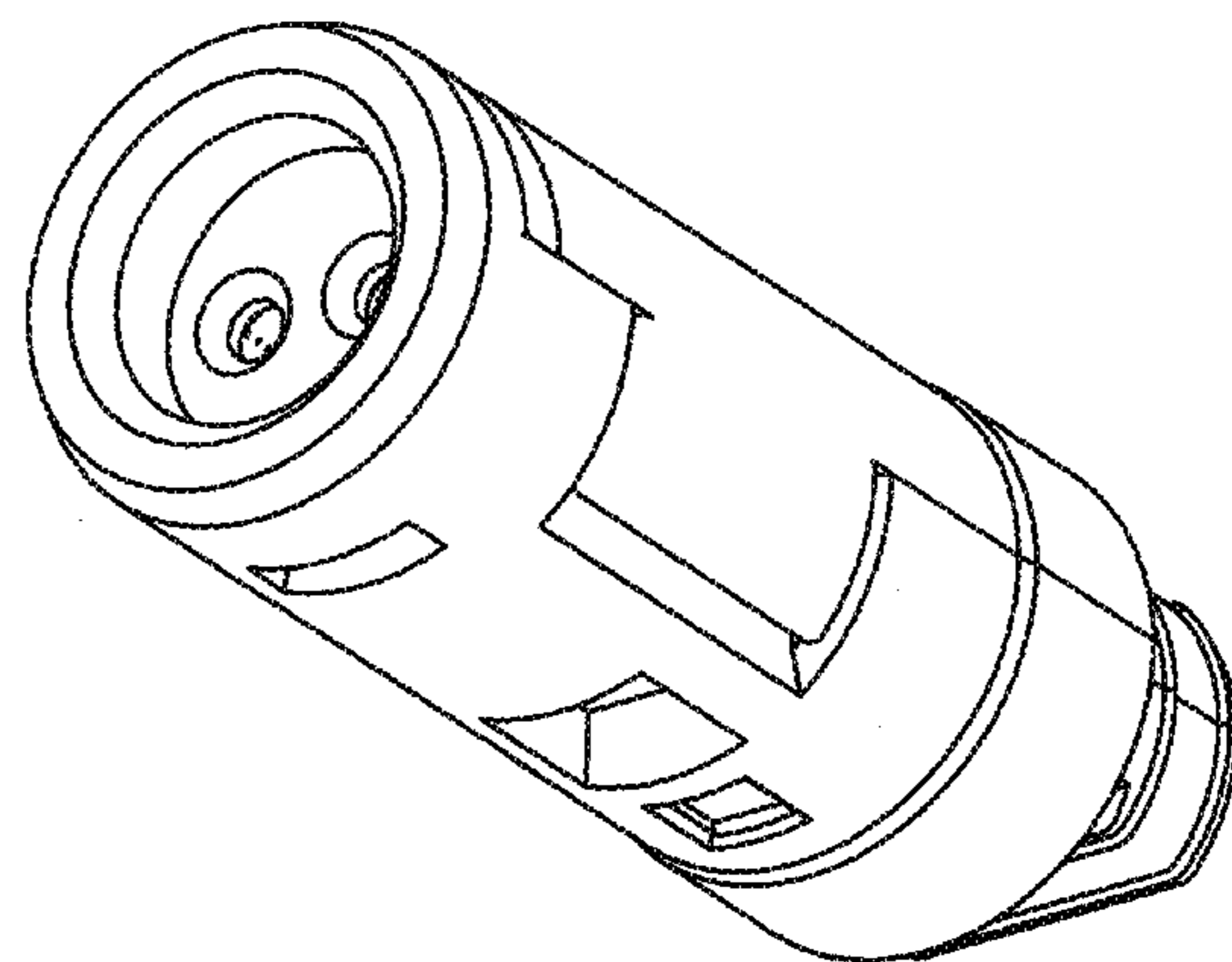
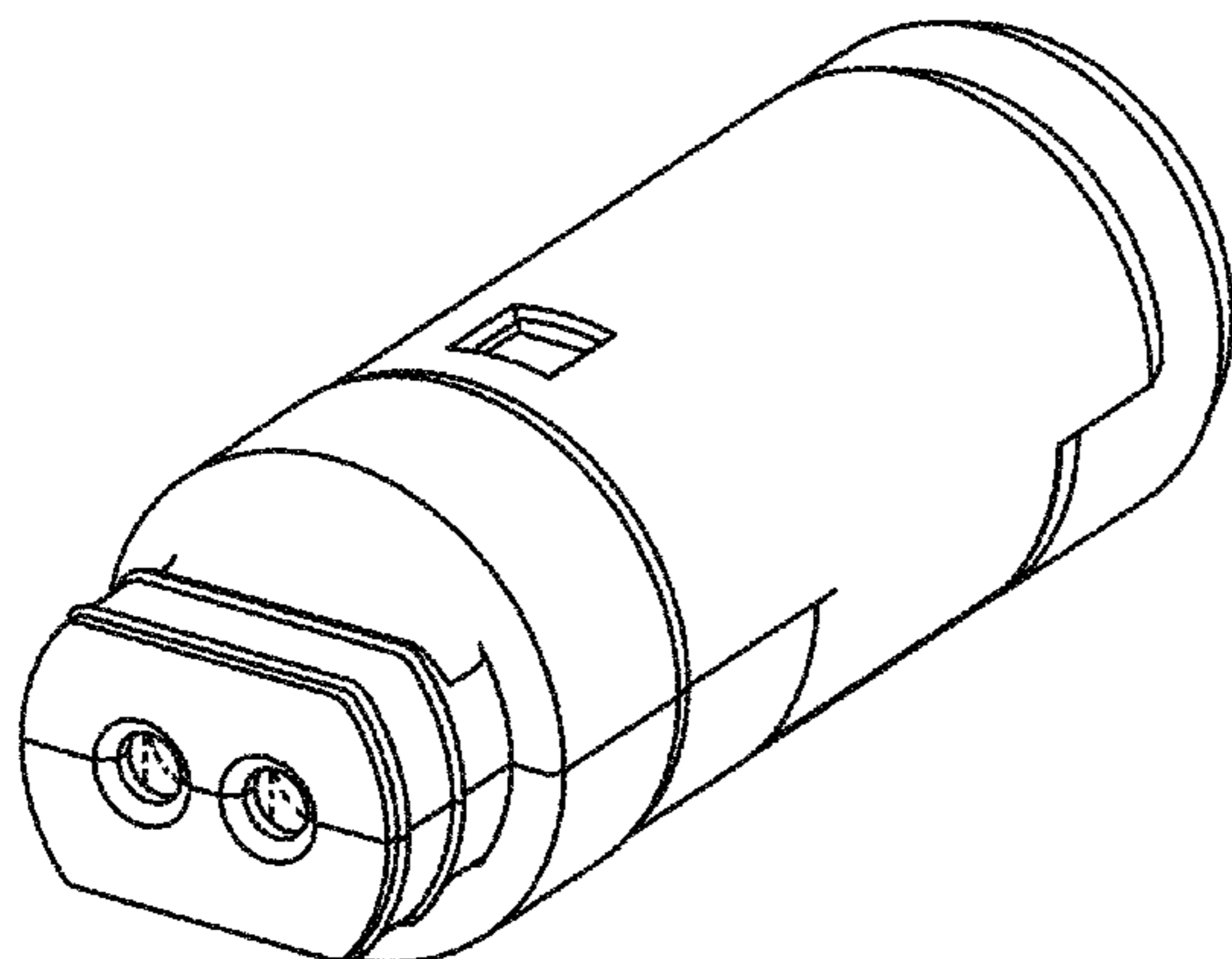


Fig. 1

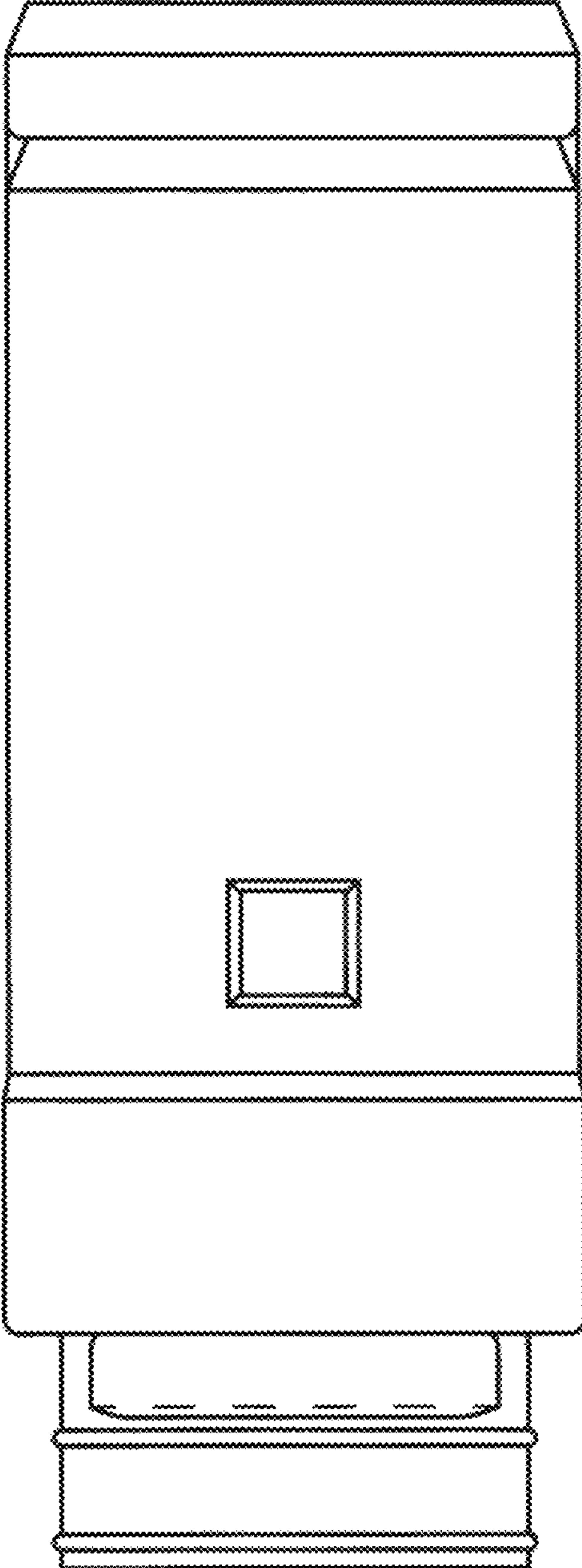


Fig. 2

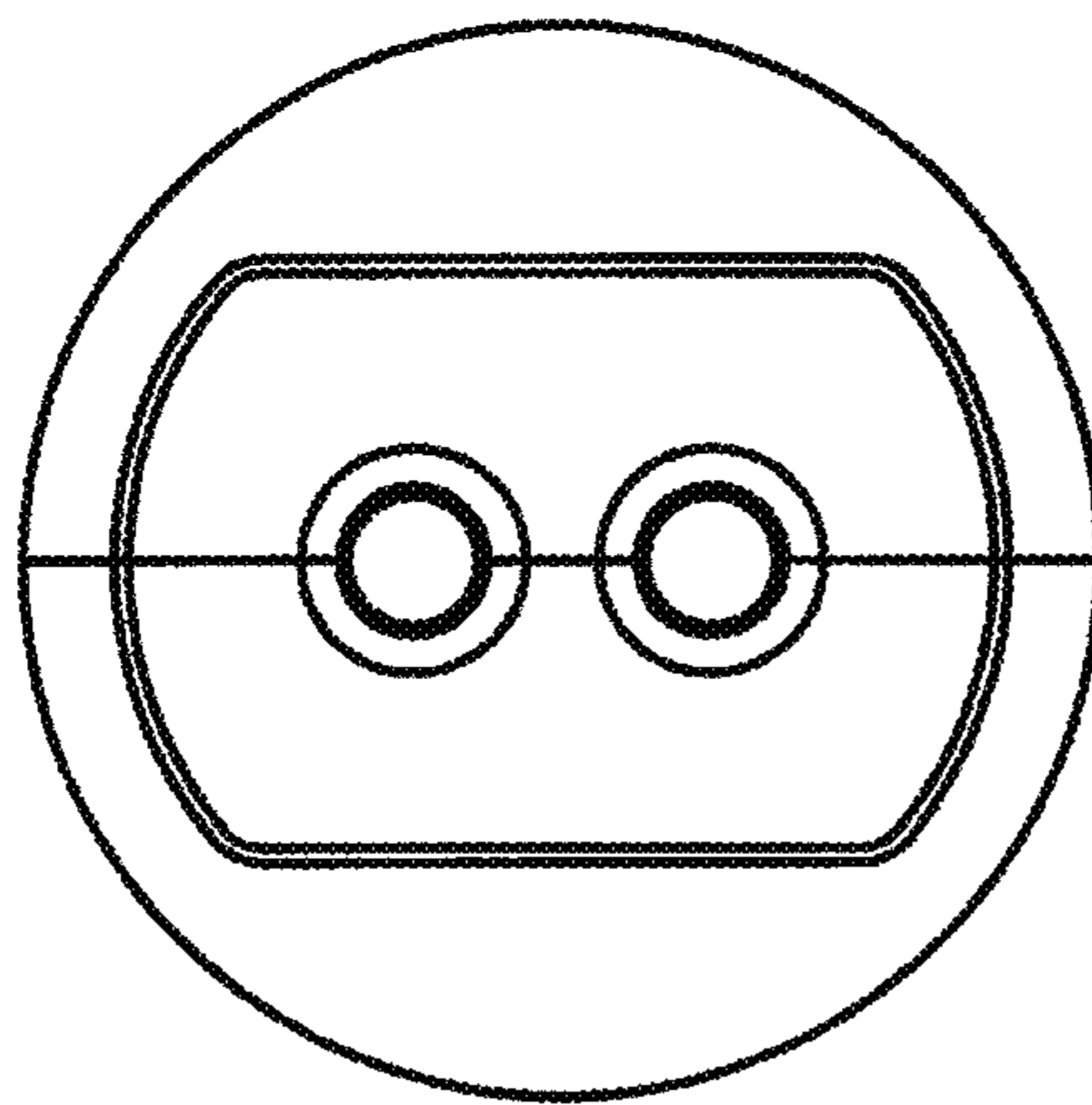


Fig. 3

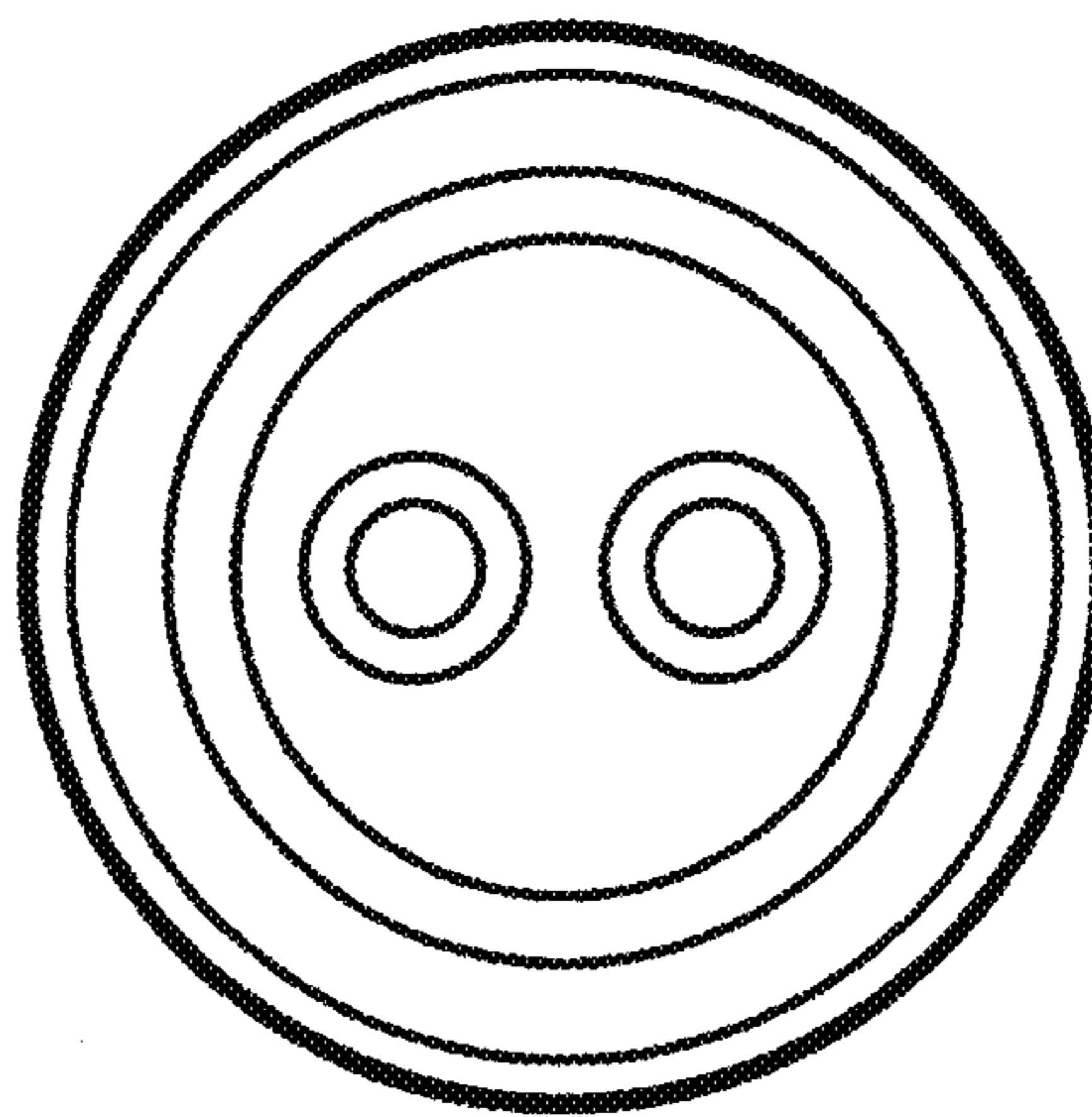


Fig. 4

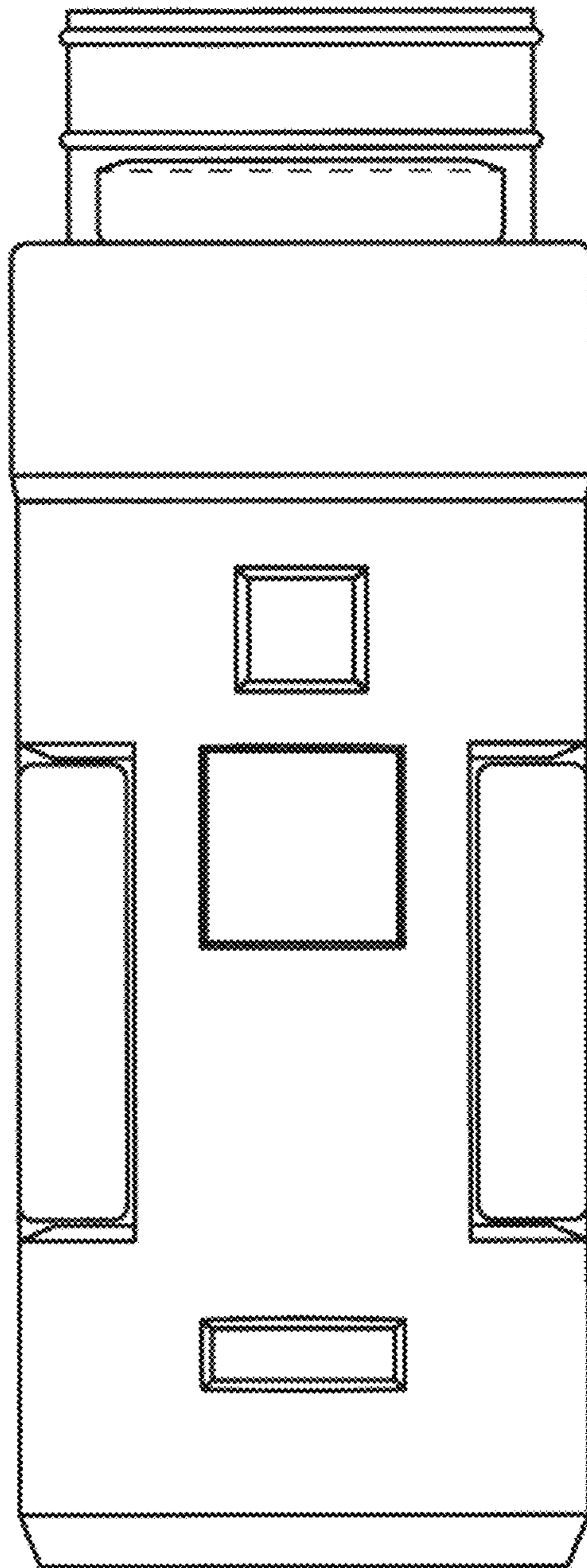


Fig. 5

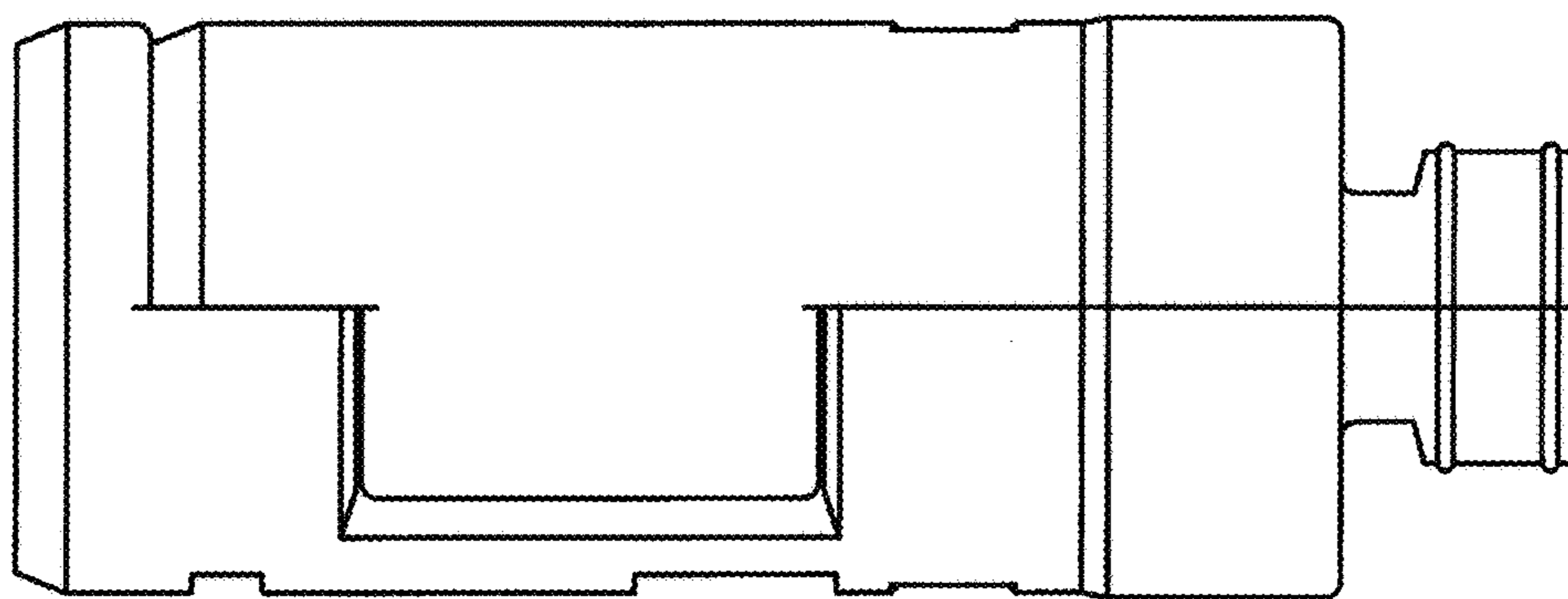


Fig. 6

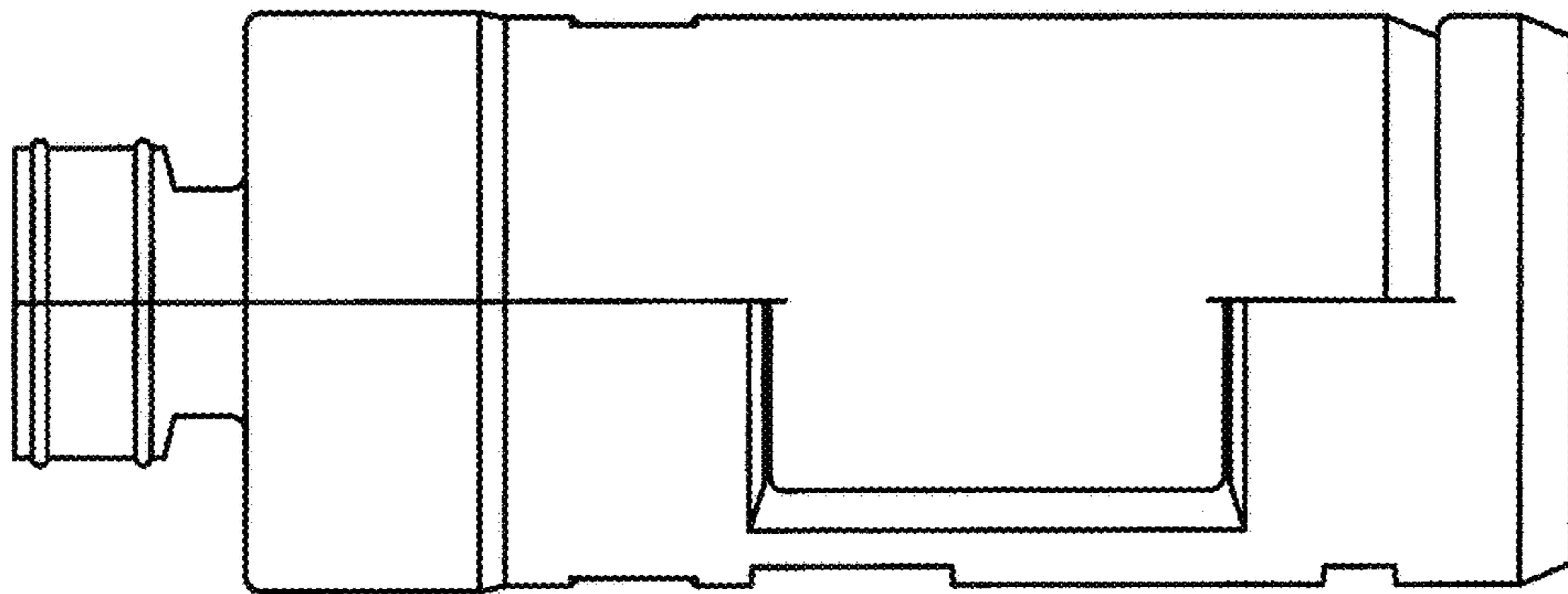


Fig. 7

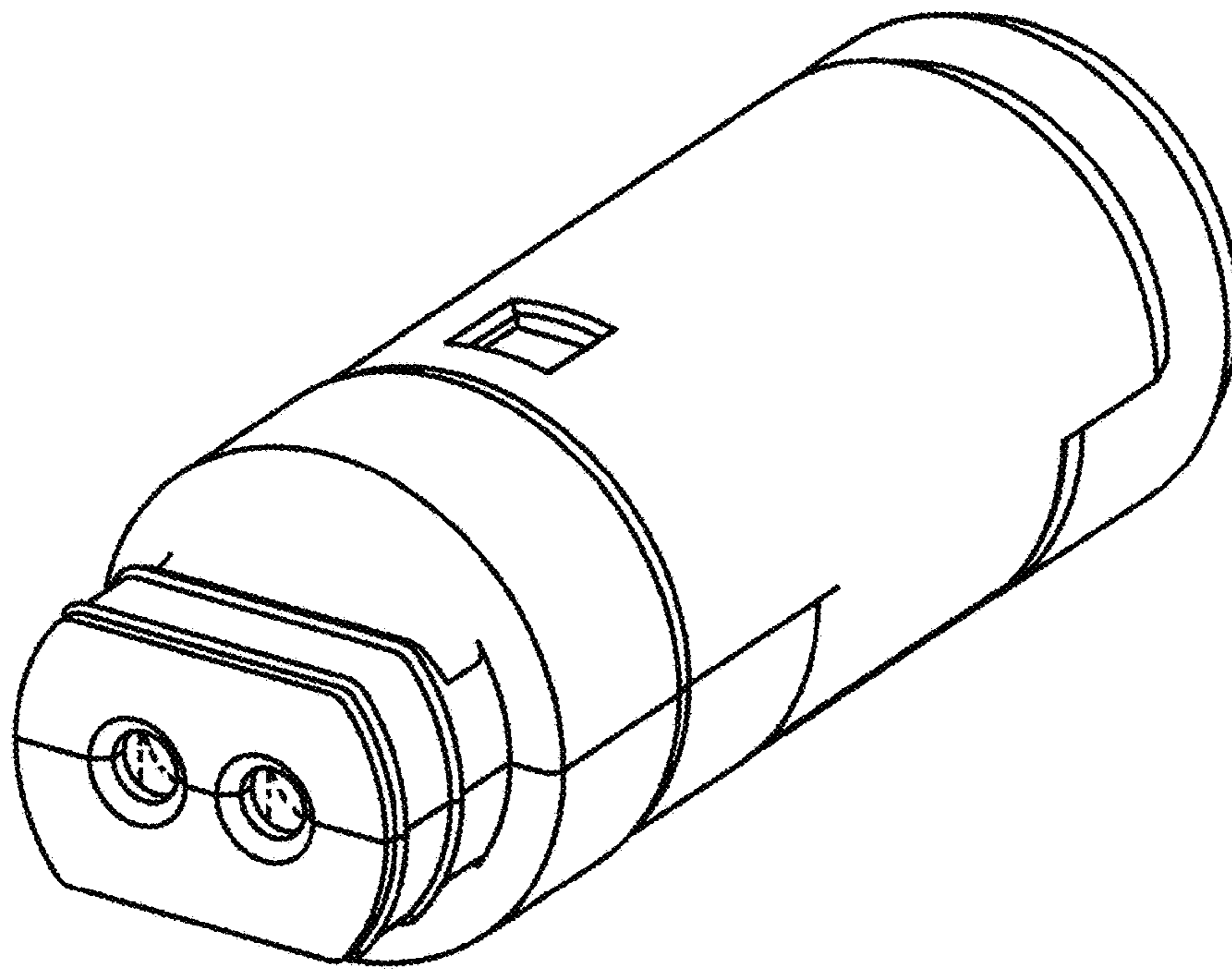


Fig. 8

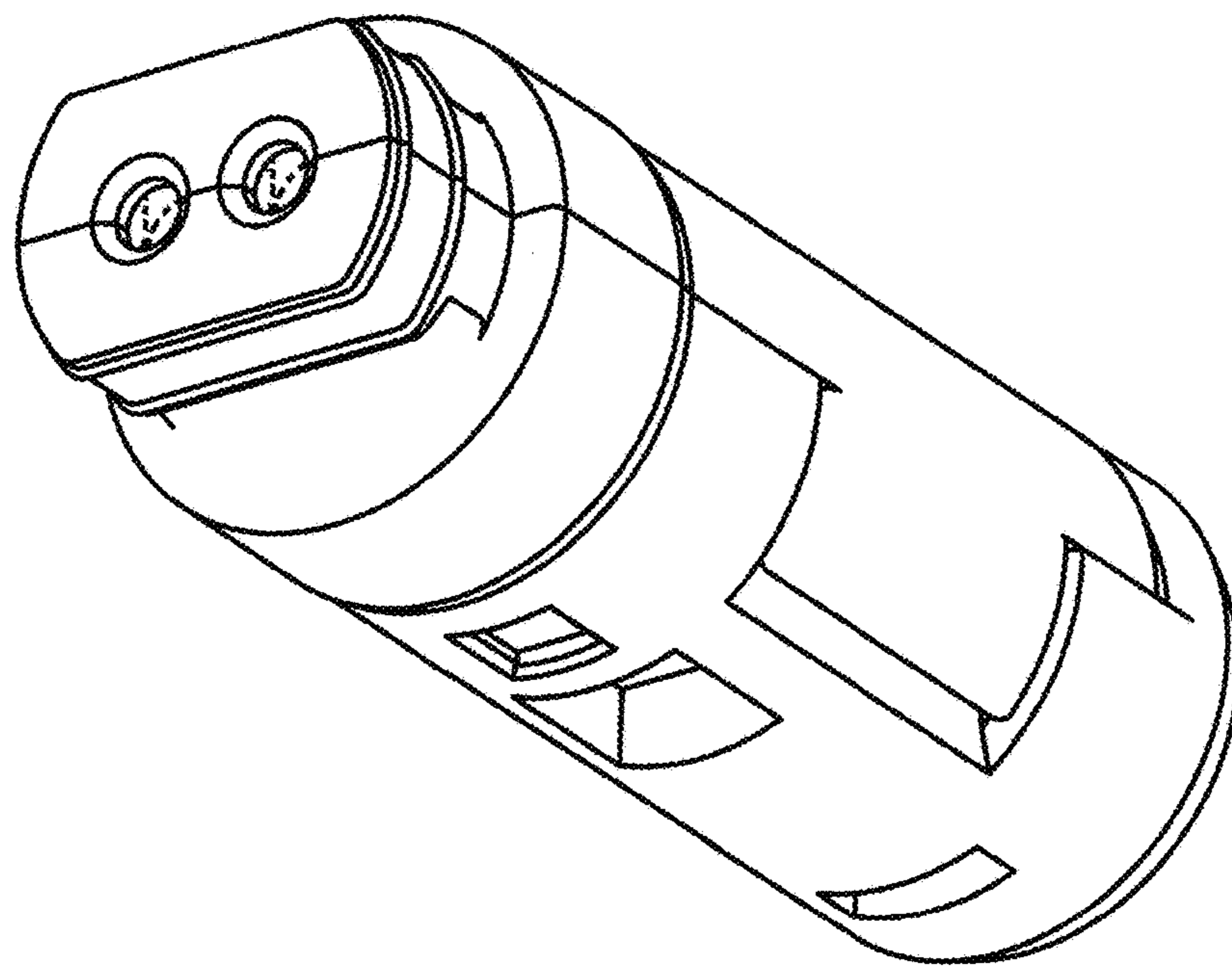


Fig. 9

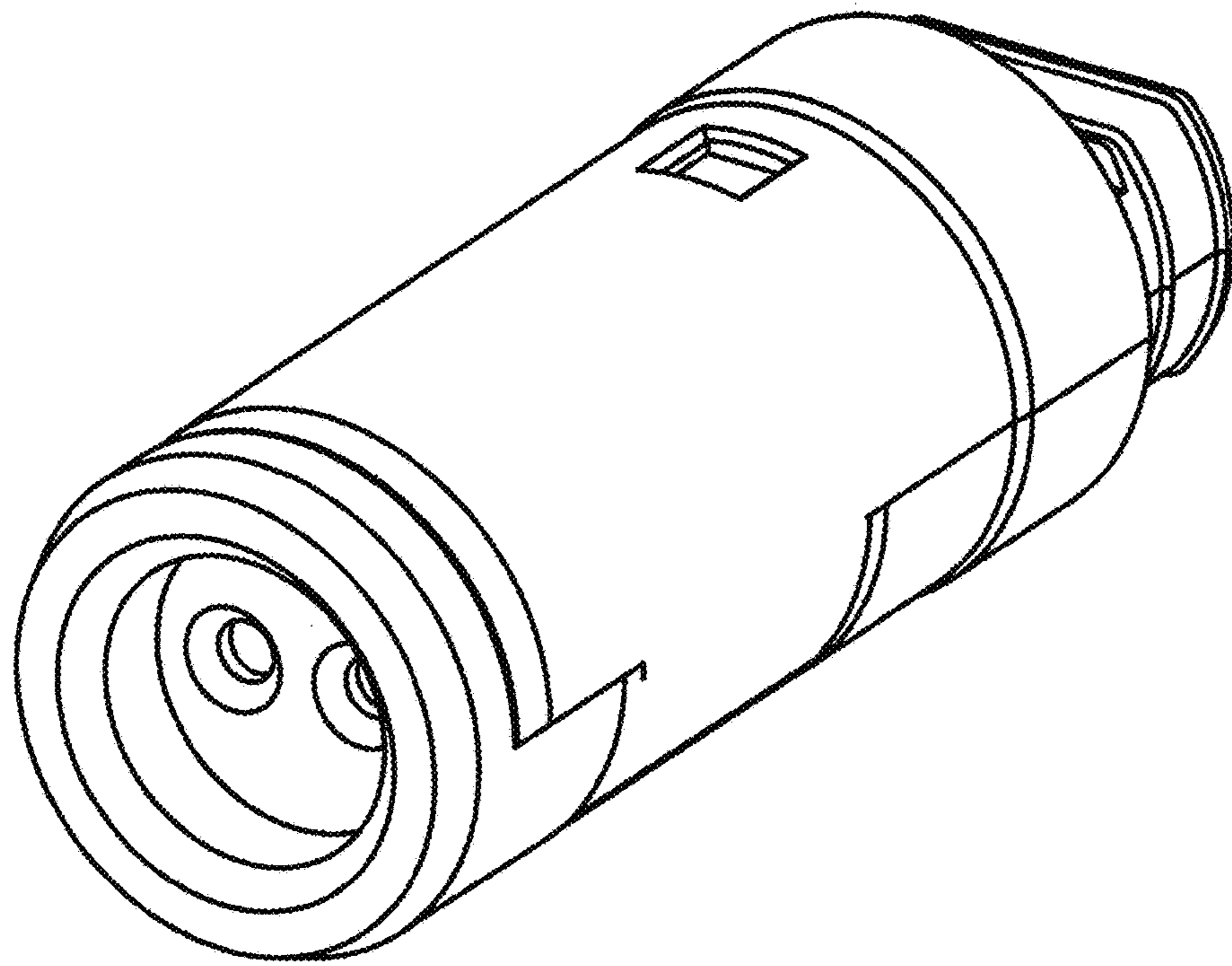


Fig. 10

