



US00D829656S

(12) **United States Design Patent**
Baiz et al.

(10) **Patent No.:** **US D829,656 S**
(45) **Date of Patent:** **** Oct. 2, 2018**

- (54) **ENGINE CAM GEAR SPIKE BOLT**
- (71) Applicants: **Enrique J. Baiz**, Miramar, FL (US);
Oswaldo Izquierdo, Homestead, FL (US)
- (72) Inventors: **Enrique J. Baiz**, Miramar, FL (US);
Oswaldo Izquierdo, Homestead, FL (US)
- (**) Term: **15 Years**
- (21) Appl. No.: **29/596,209**
- (22) Filed: **Mar. 6, 2017**
- (51) **LOC (11) Cl.** **13-01**
- (52) **U.S. Cl.**
USPC **D13/122; D8/397**
- (58) **Field of Classification Search**
USPC D13/112, 113, 118, 122, 149, 151, 154,
D13/199; D8/349, 382, 387, 394, 397;
D15/3, 5, 199; D12/213, 607
CPC B60B 23/00; B60B 29/00; B60B 30/00;
B60B 31/00; B60B 7/0013; F16B 37/00;
F16B 37/14; F16B 37/042; F16B 37/044;
F16B 37/145; F16B 35/041; F16B
35/044; Y10S 411/91; Y10S 411/924
See application file for complete search history.

8,201,892 B2 * 6/2012 Hall E21C 35/183
299/102
D703,147 S * 4/2014 Hanson D13/151
D720,208 S * 12/2014 Jordan D8/397

* cited by examiner

Primary Examiner — Derrick E Holland
(74) *Attorney, Agent, or Firm* — Quickpatents, LLC;
Kevin Prince

(57) **CLAIM**

We claim the ornamental design for an engine cam gear spike bolt, as shown and described.

DESCRIPTION

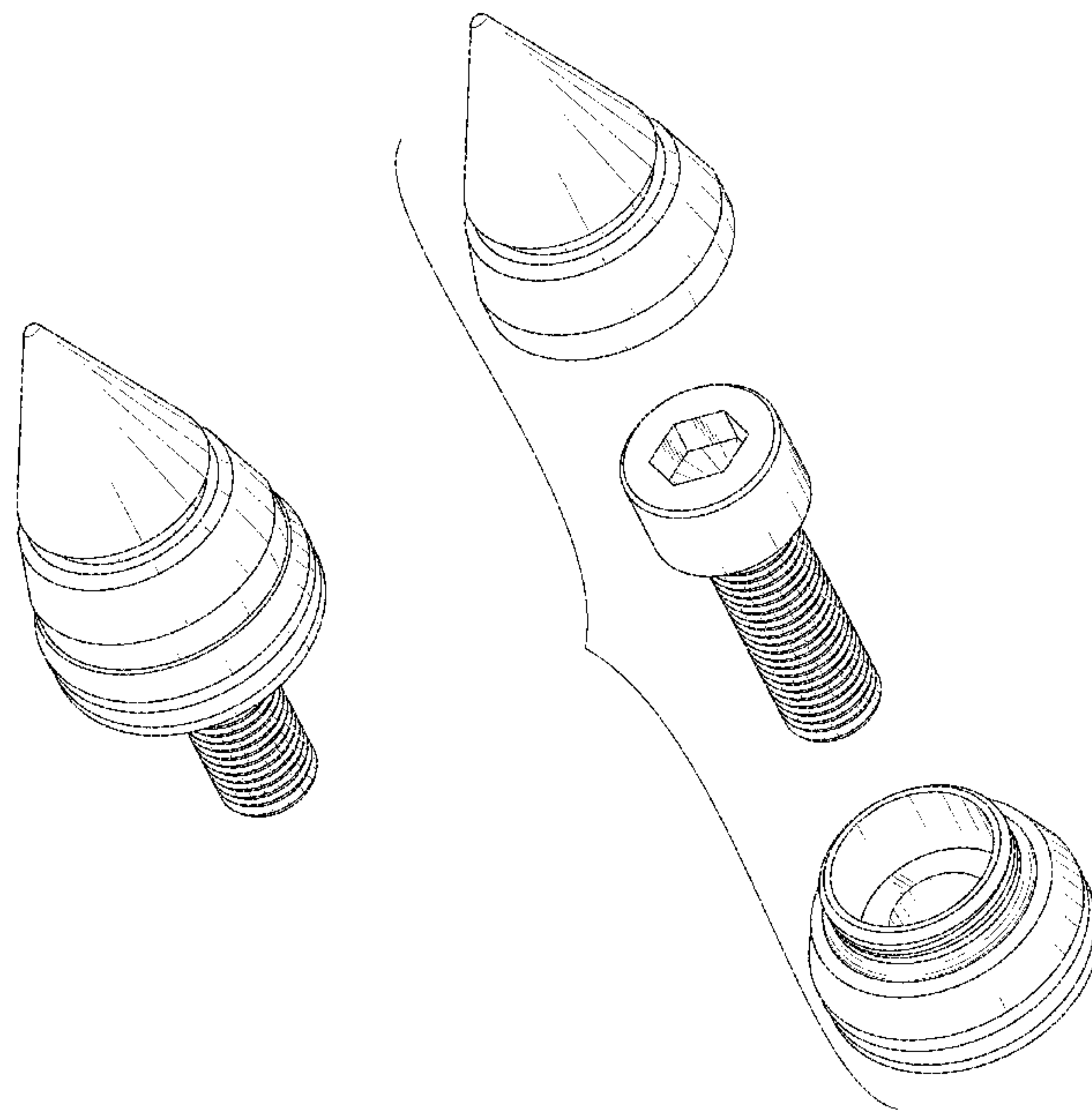
FIG. 1 is a perspective view of an engine cam gear spike bolt, showing a first embodiment of our new design;
FIG. 2 is an exploded top perspective view of FIG. 1;
FIG. 3 is an exploded bottom perspective view of FIG. 1;
FIG. 4 is an exploded front elevational view of FIG. 1;
FIG. 5 is an exploded left-side elevational view of FIG. 1;
FIG. 6 is an exploded rear elevational view of FIG. 1;
FIG. 7 is an exploded right-side elevational view of FIG. 1;
FIG. 8 is an exploded top plan view of FIG. 1;
FIG. 9 is an exploded bottom plan view of FIG. 1;
FIG. 10 is a perspective view of a second embodiment thereof;
FIG. 11 is an exploded top perspective view of FIG. 10;
FIG. 12 is an exploded bottom perspective view of FIG. 10;
FIG. 13 is an exploded front elevational view of FIG. 10;
FIG. 14 is an exploded left-side elevational view of FIG. 10;
FIG. 15 is an exploded rear elevational view of FIG. 10;
FIG. 16 is an exploded right-side elevational view of FIG. 10;
FIG. 17 is an exploded top plan view of FIG. 10; and,
FIG. 18 is an exploded bottom plan view of FIG. 10.

(56) **References Cited**

U.S. PATENT DOCUMENTS

- D341,127 S * 11/1993 Sachs D13/149
- D460,398 S * 7/2002 Berry D12/213
- D469,345 S * 1/2003 Berry D8/382
- 6,692,083 B2 * 2/2004 Latham E21C 35/18
299/104

1 Claim, 18 Drawing Sheets



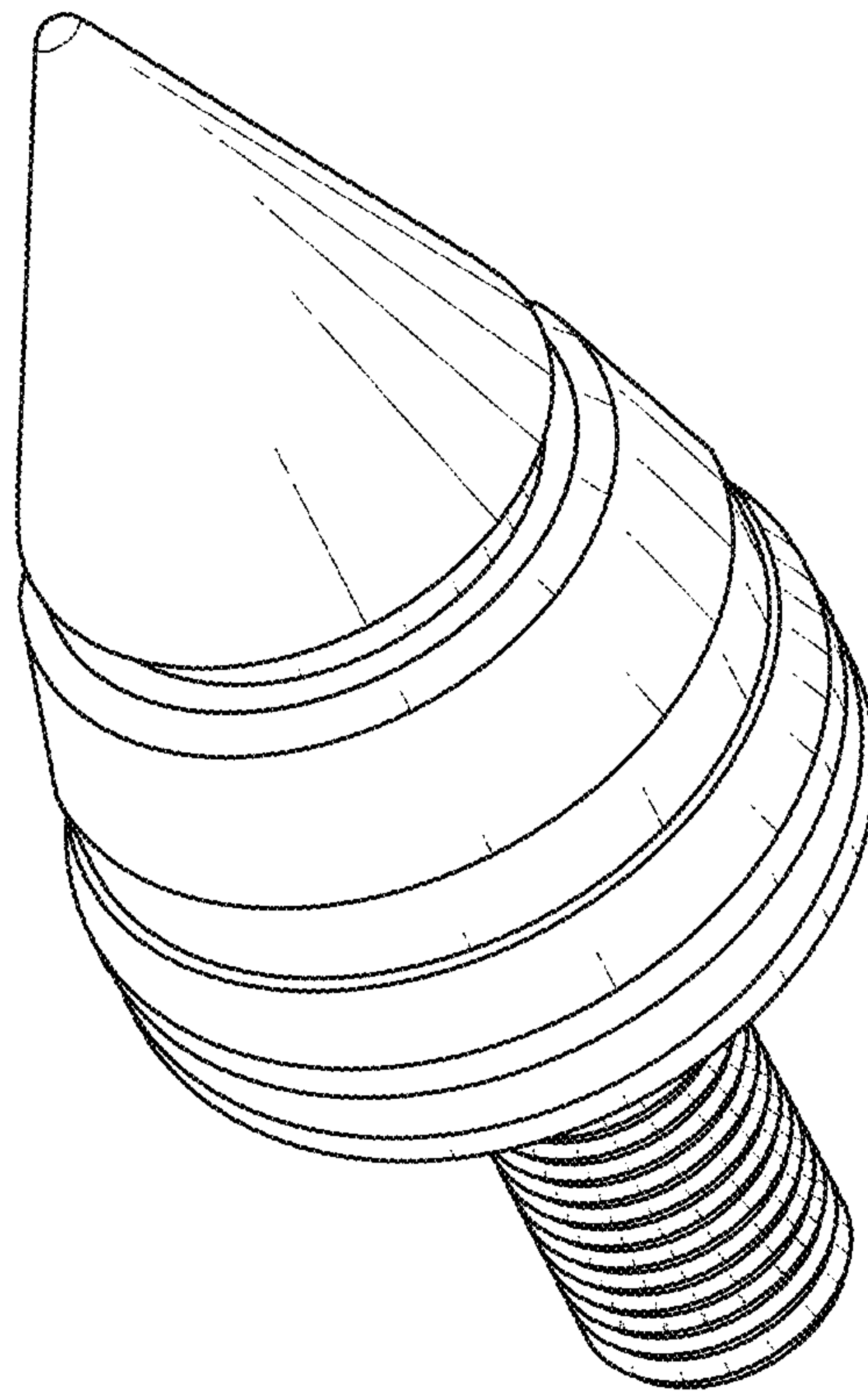


FIG. 1

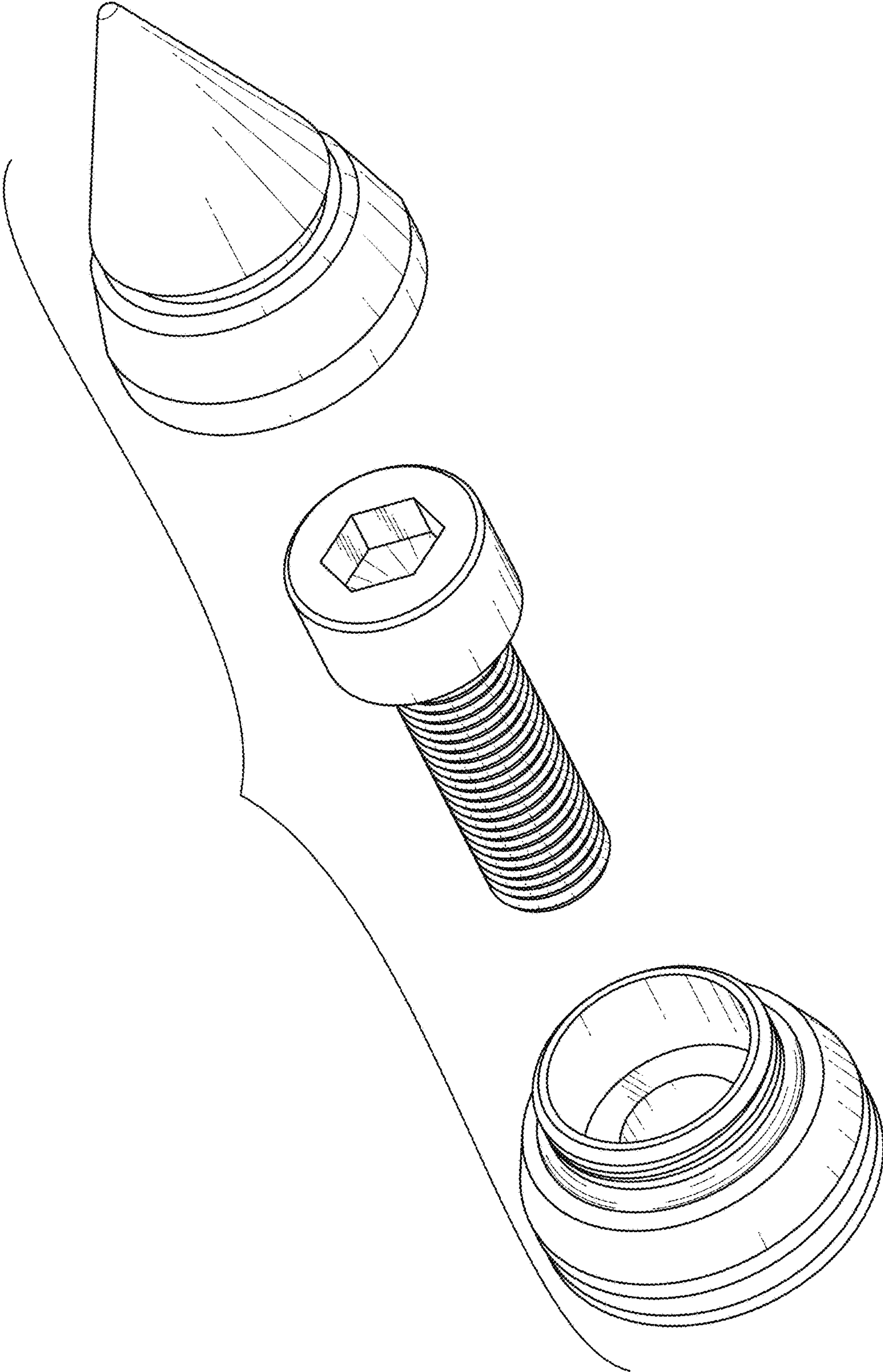


FIG. 2

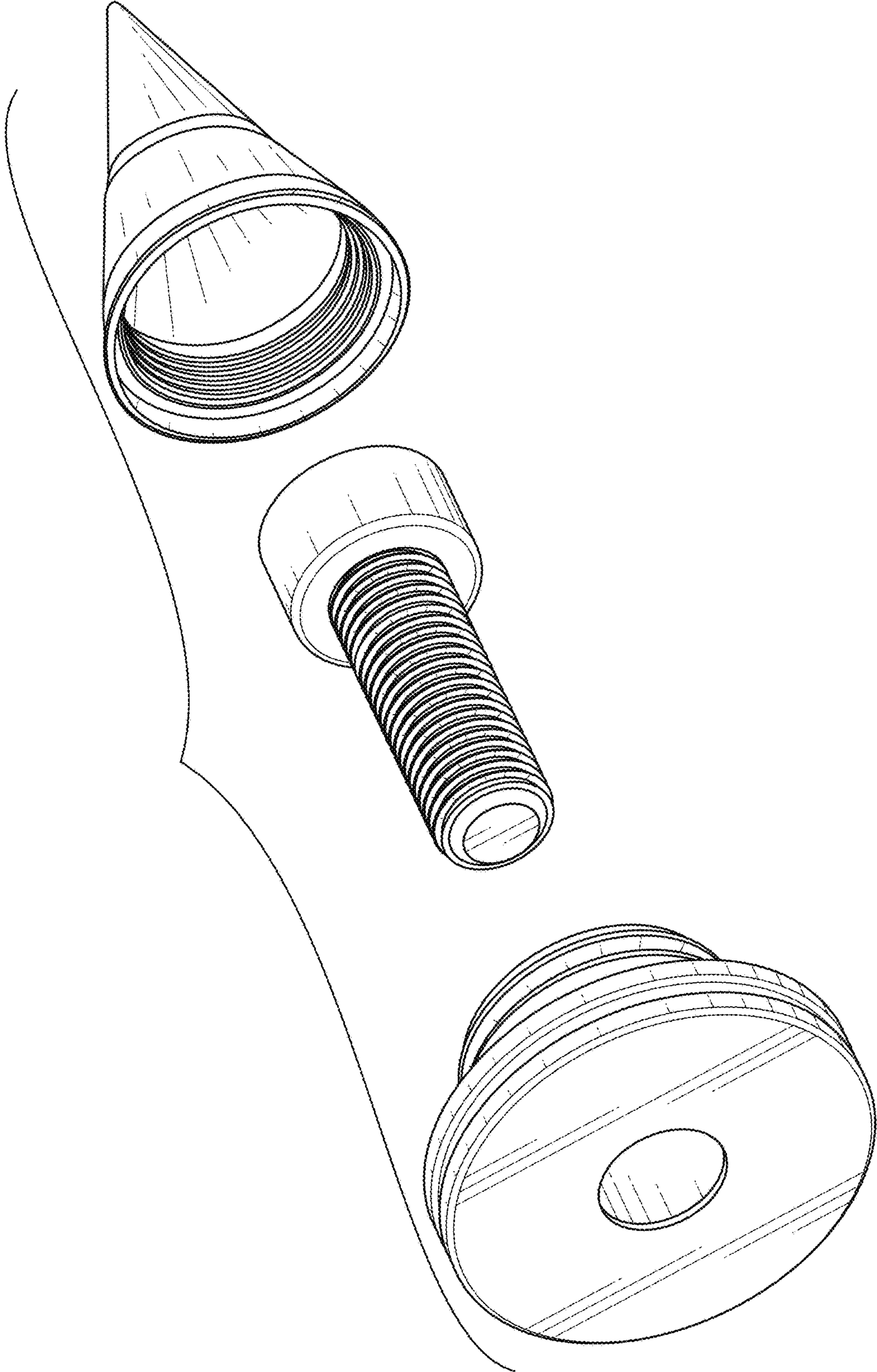


FIG. 3

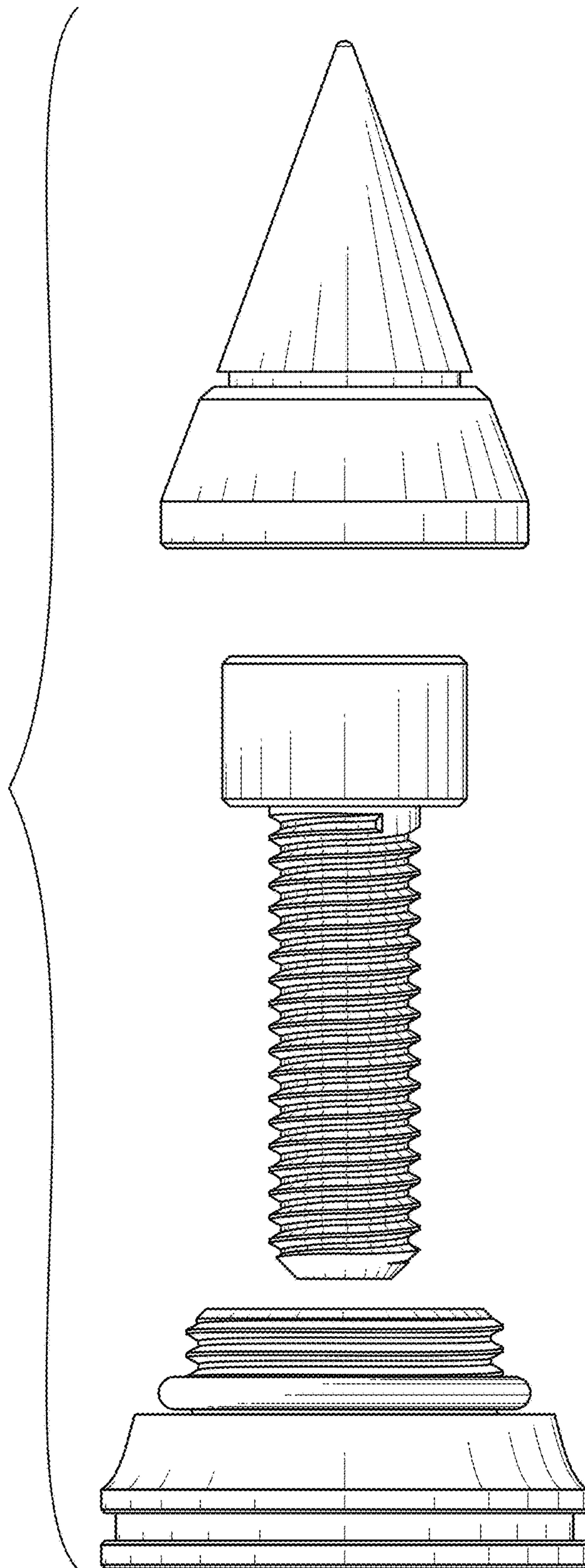


FIG. 4

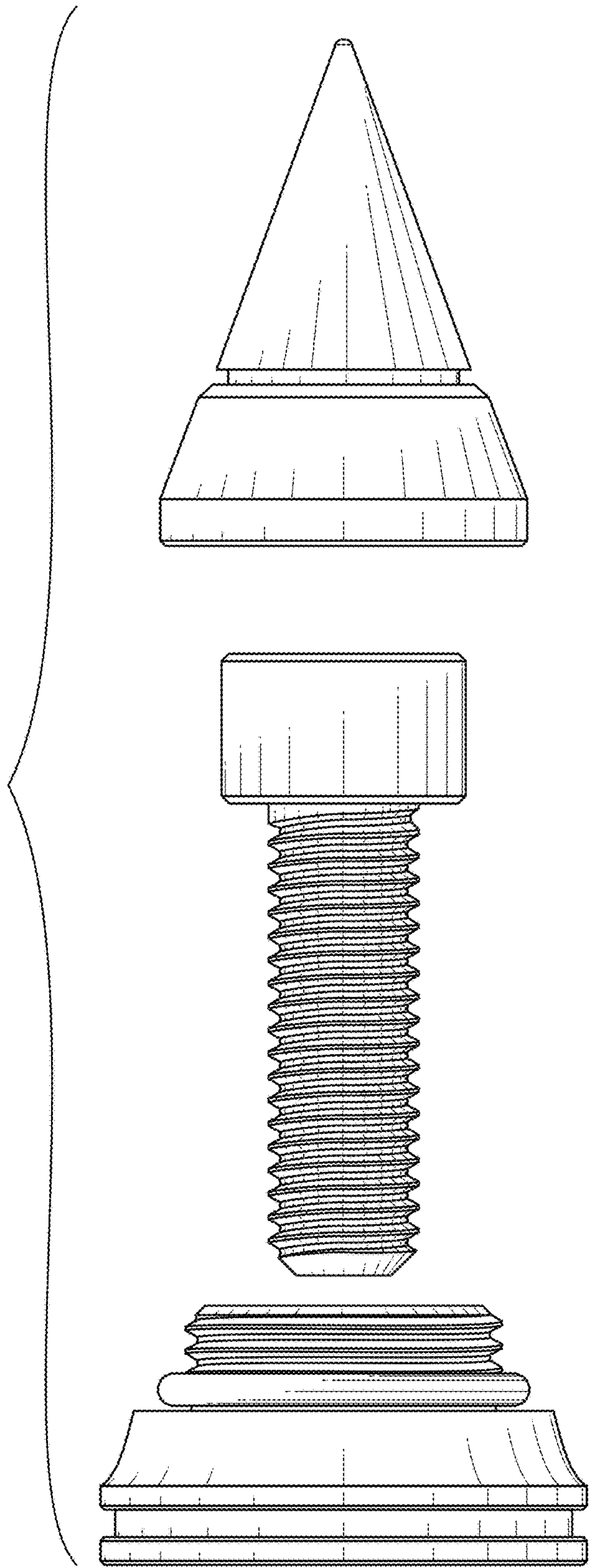


FIG. 5

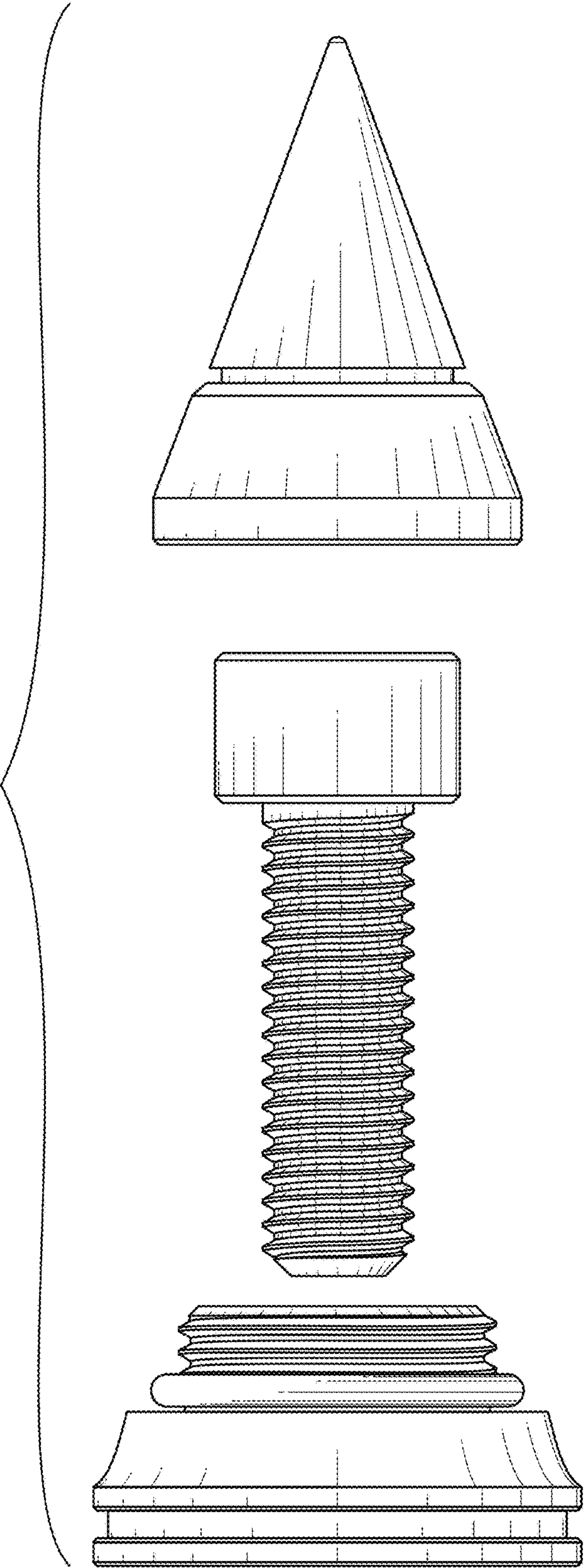


FIG. 6

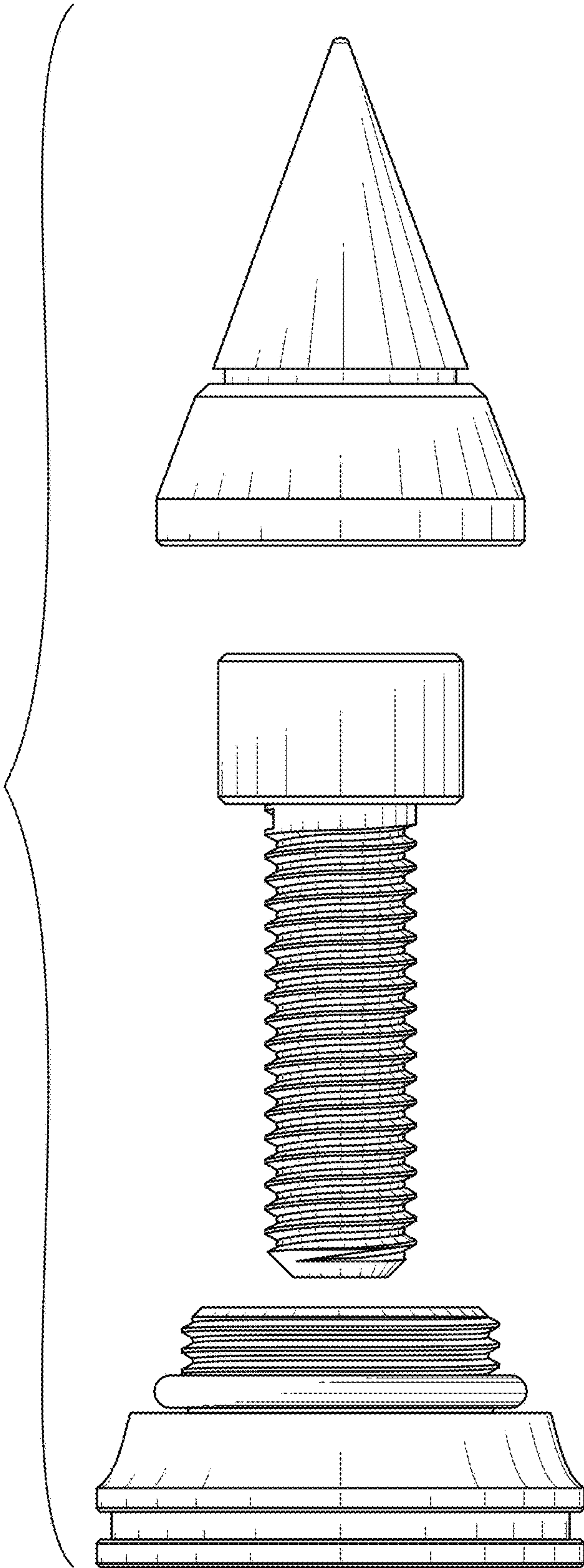


FIG. 7

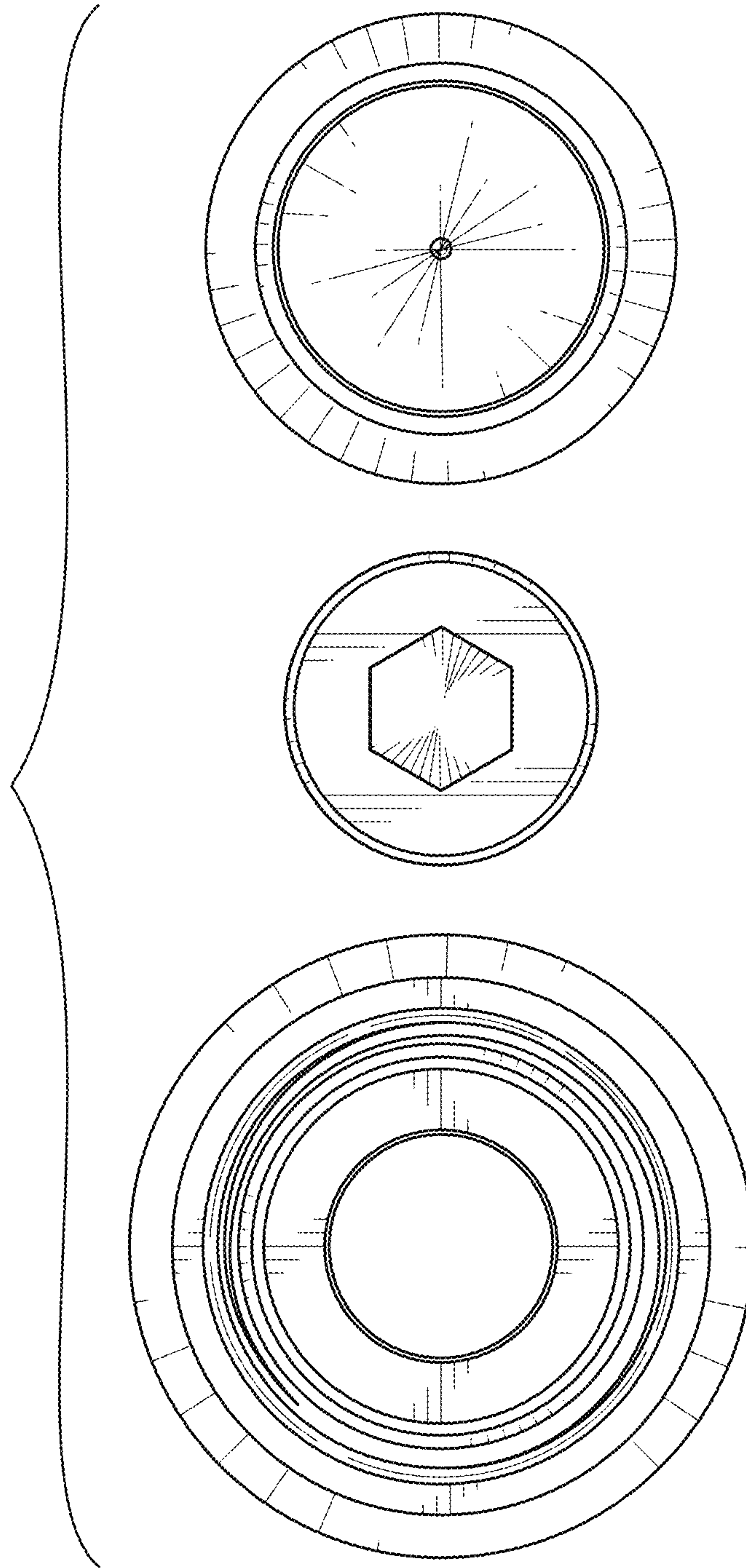


FIG. 8

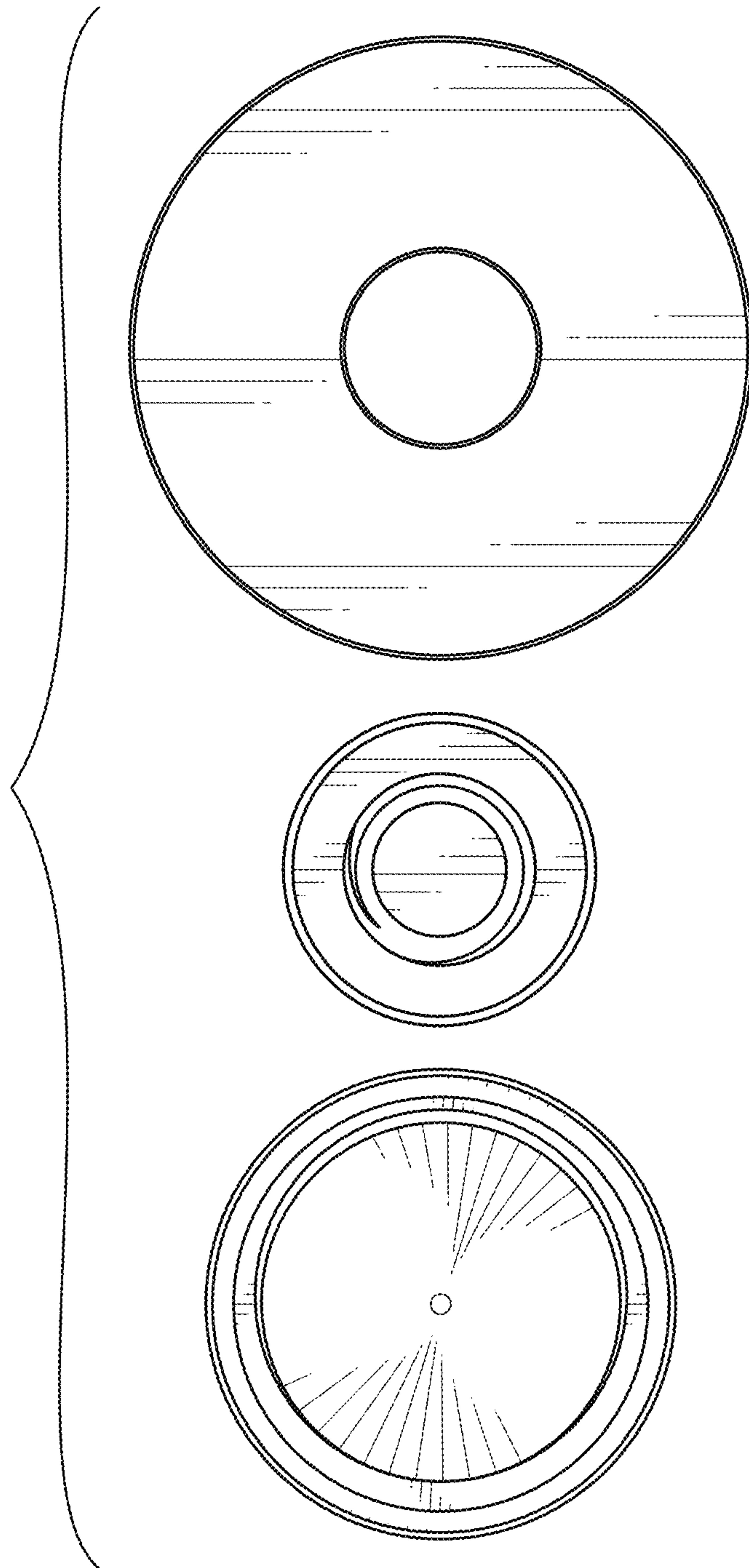


FIG. 9

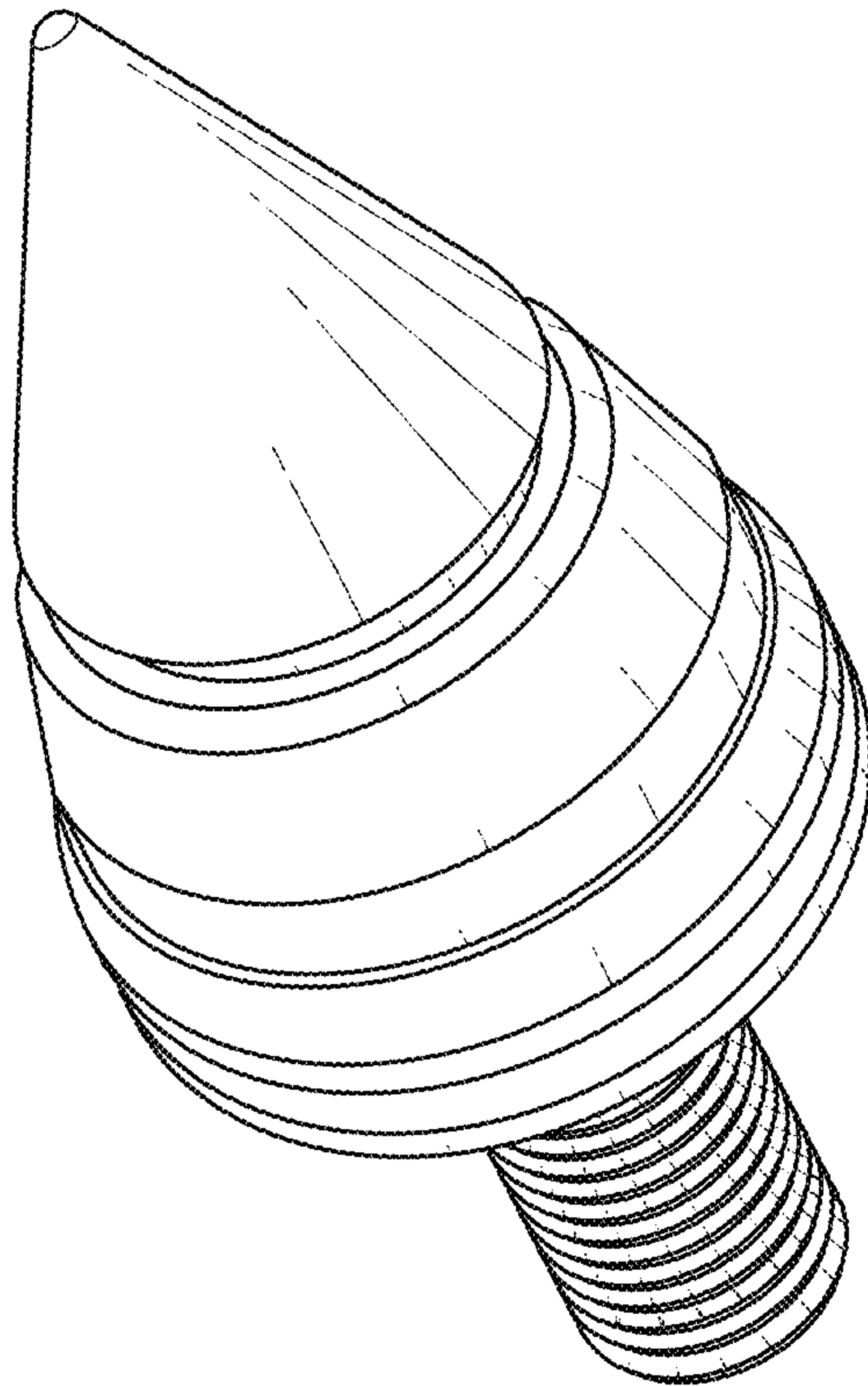


FIG. 10

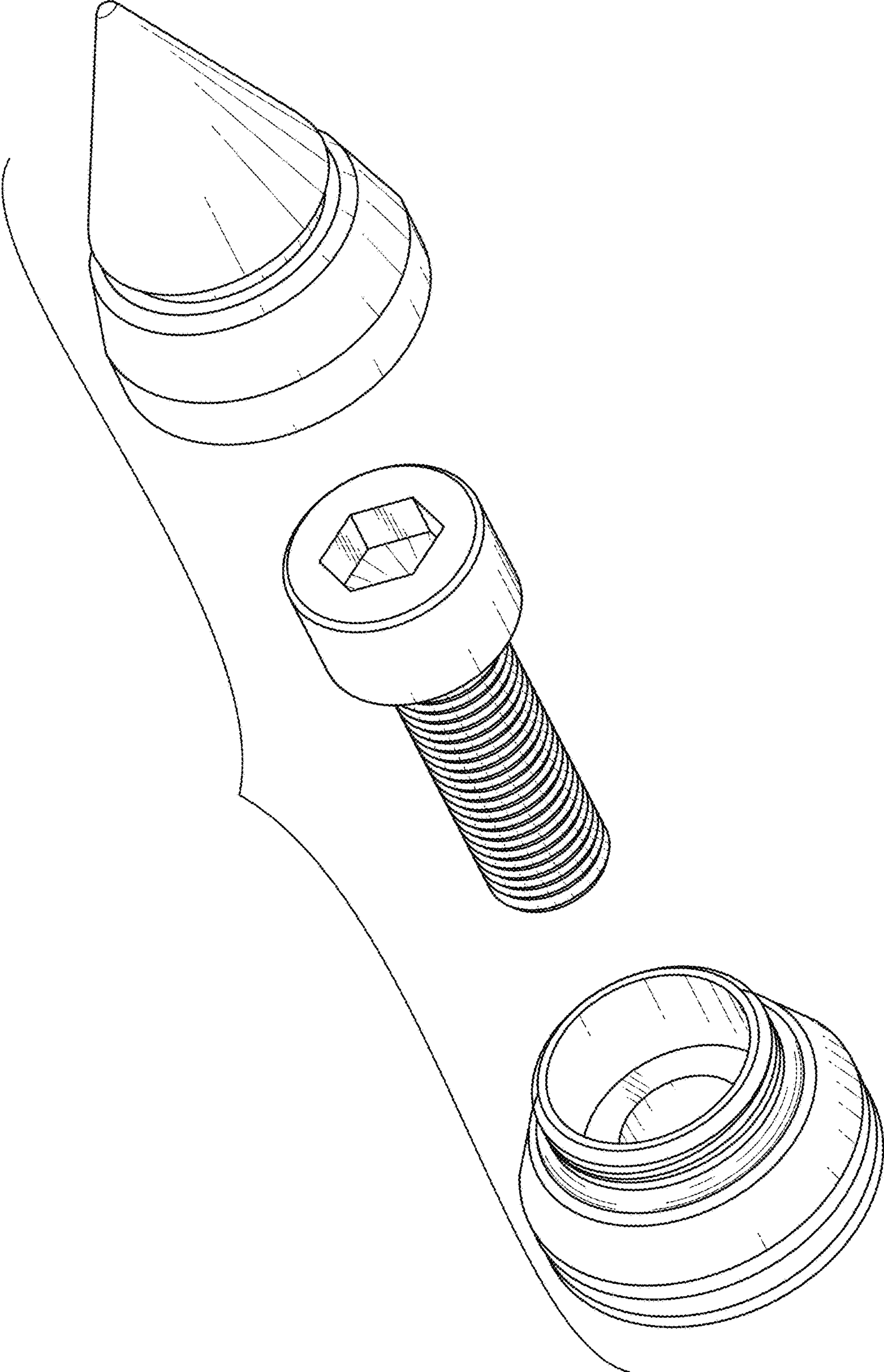


FIG. 11

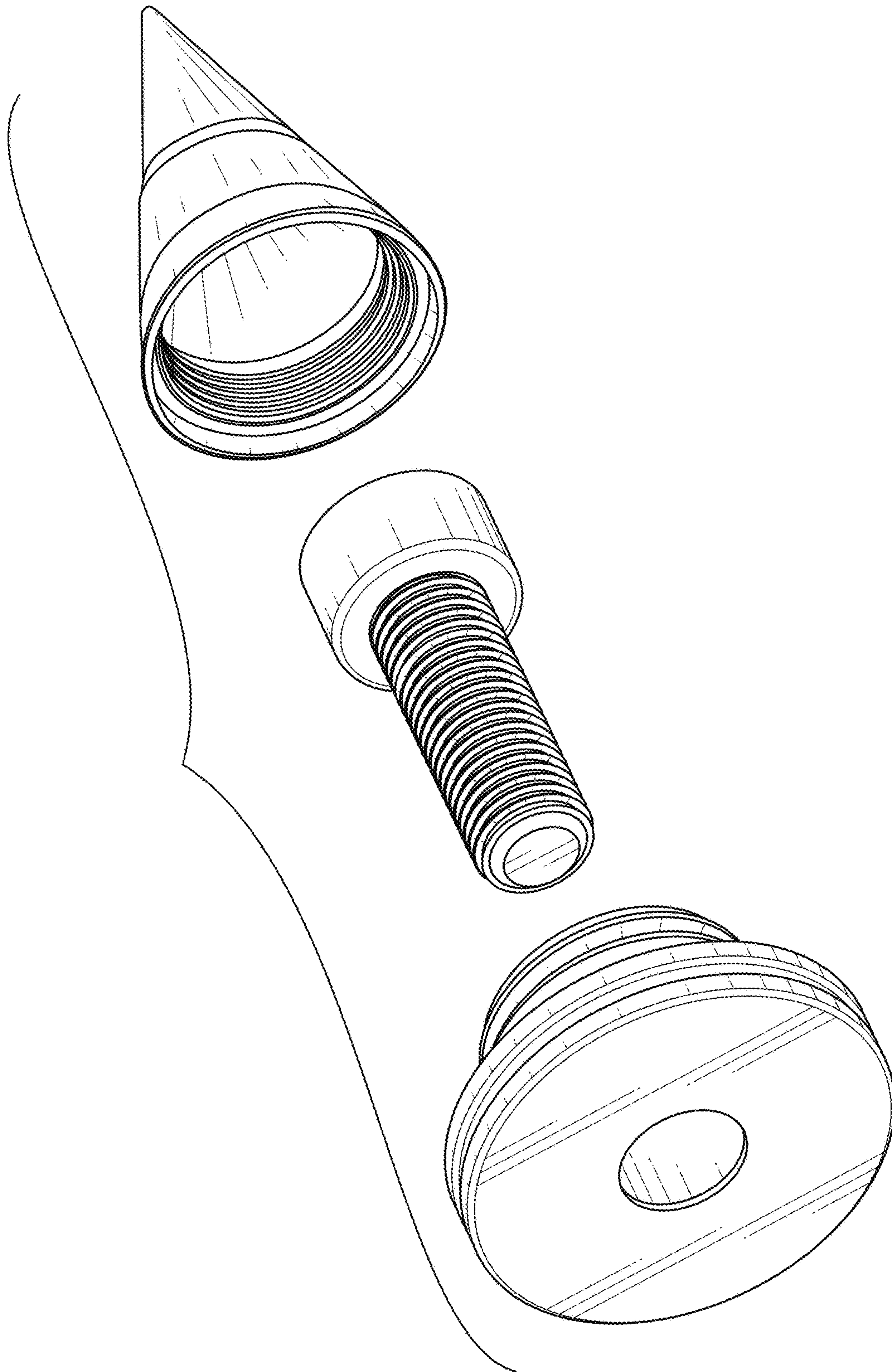


FIG. 12

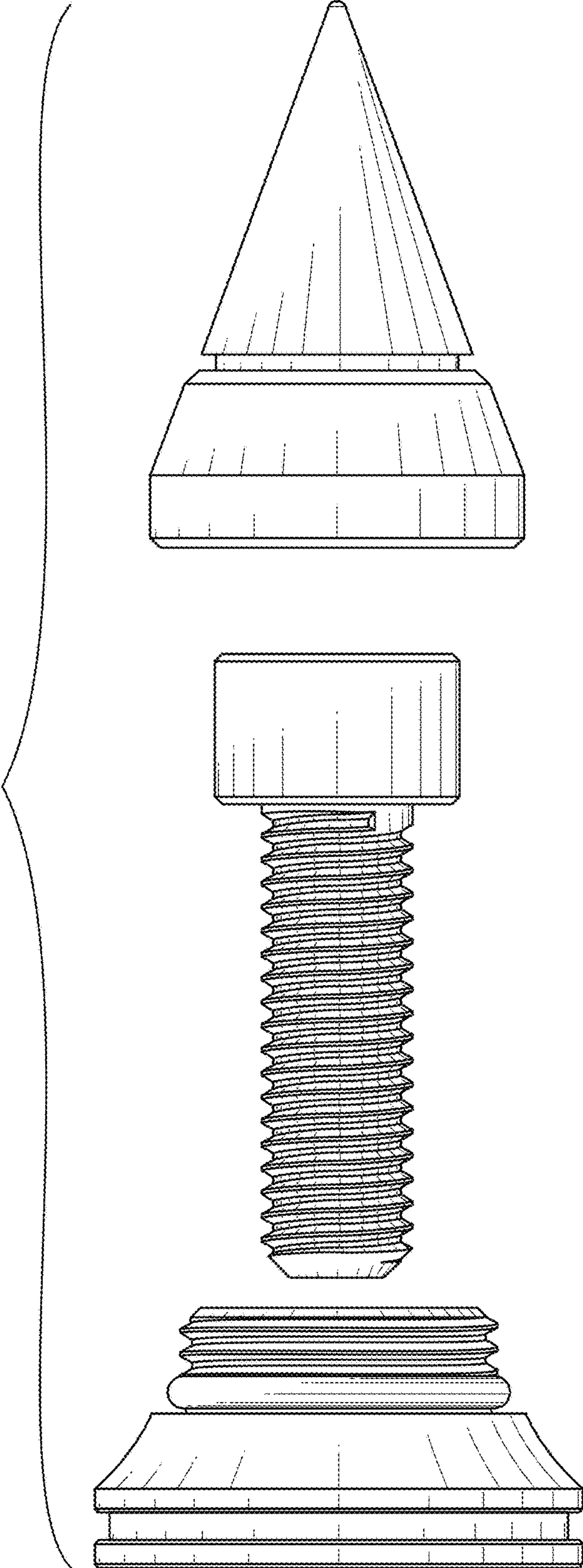


FIG. 13

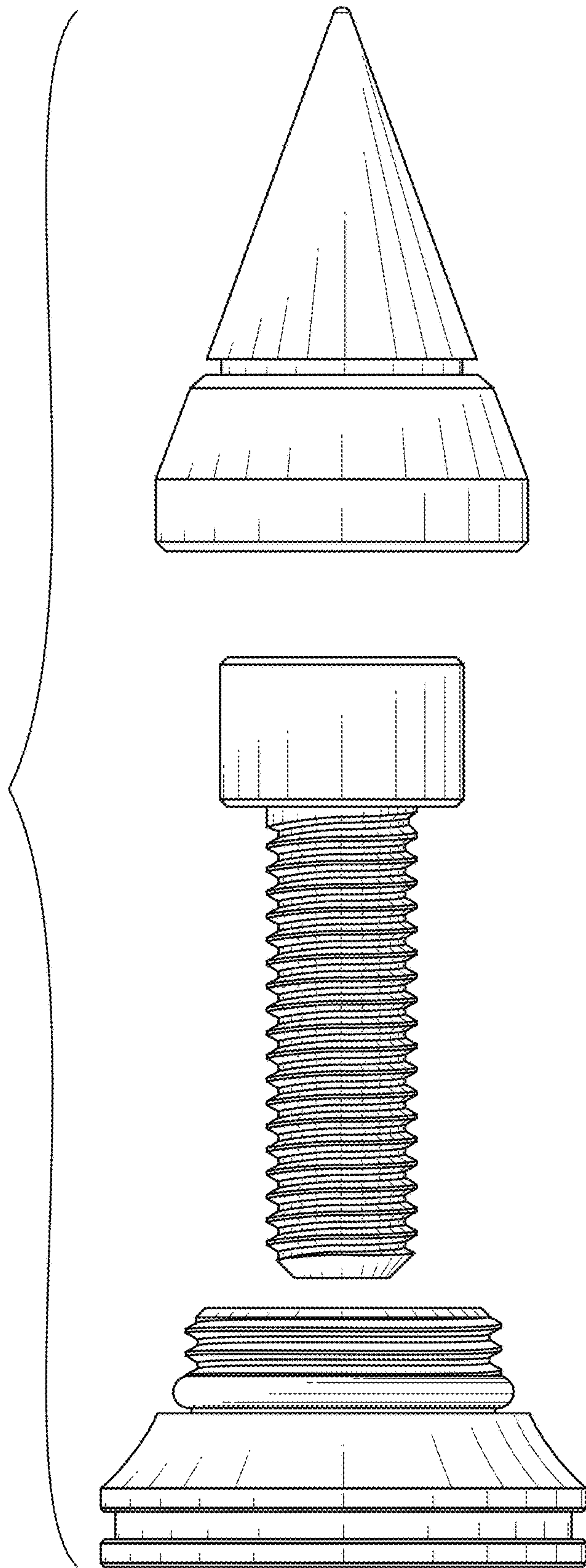


FIG. 14

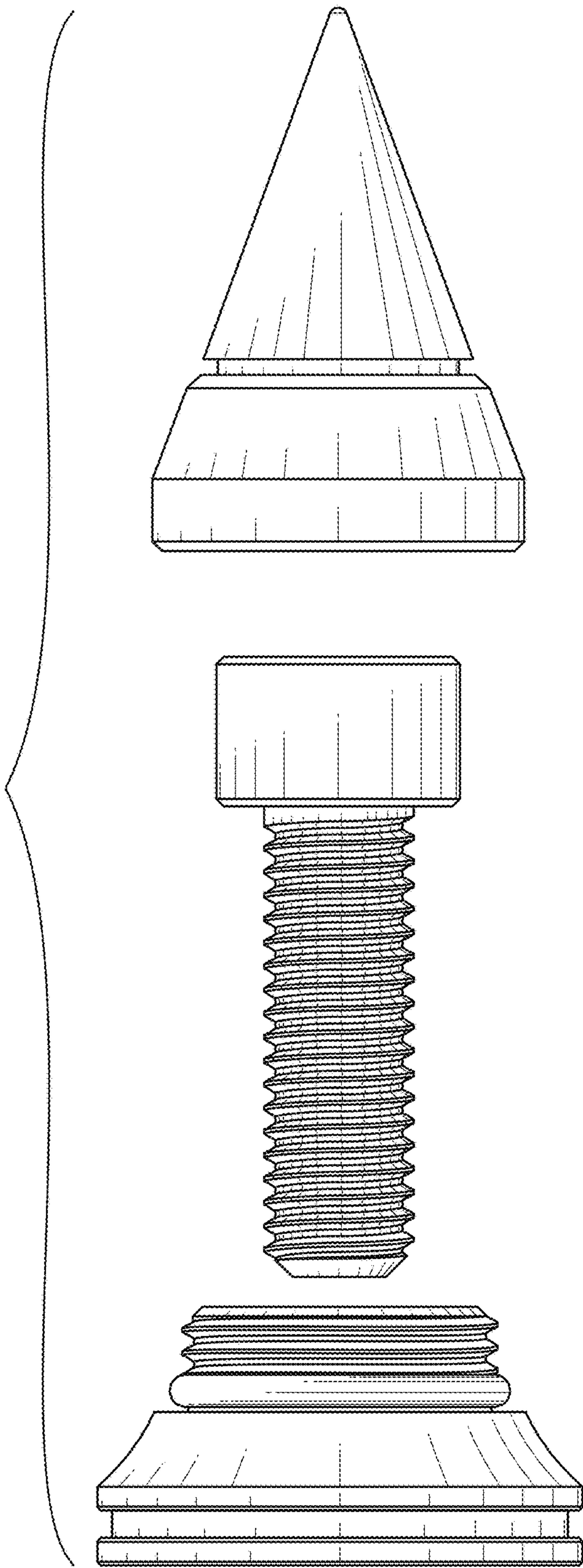


FIG. 15

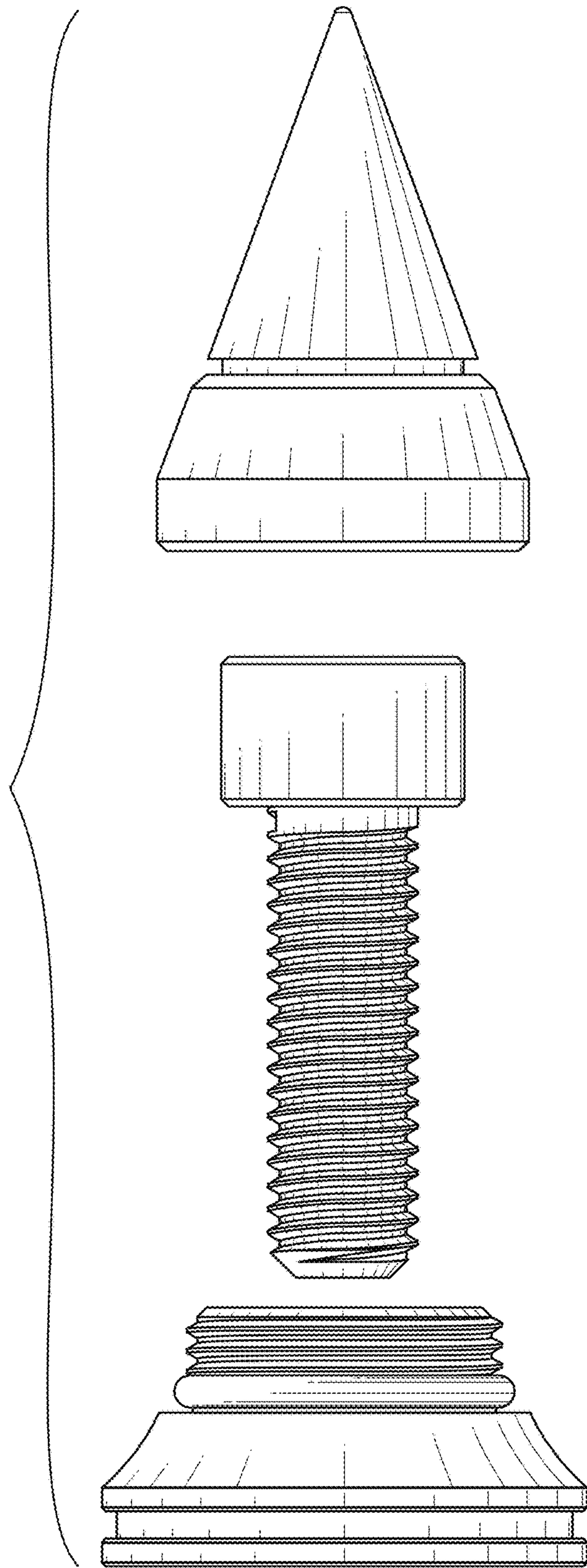


FIG. 16

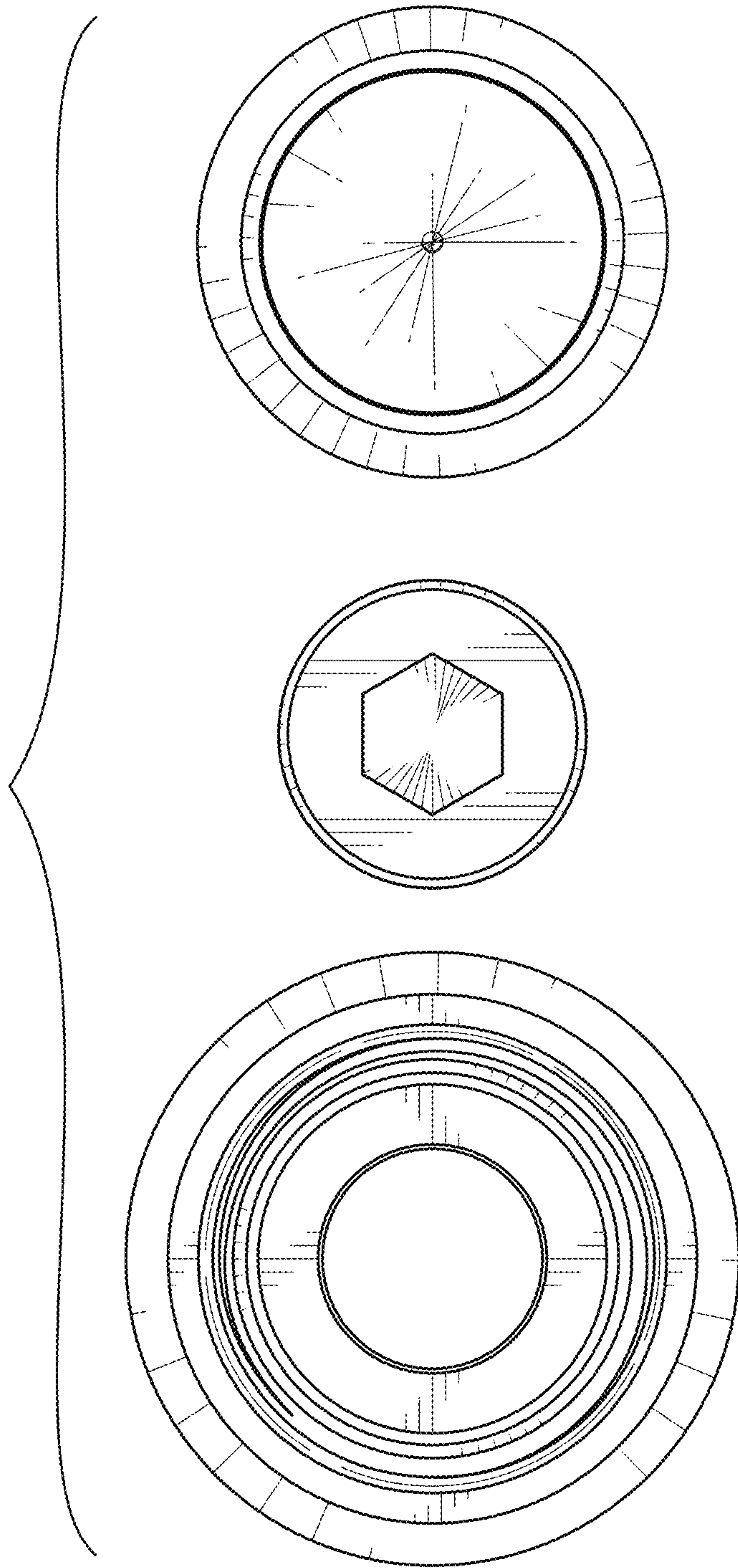


FIG. 17

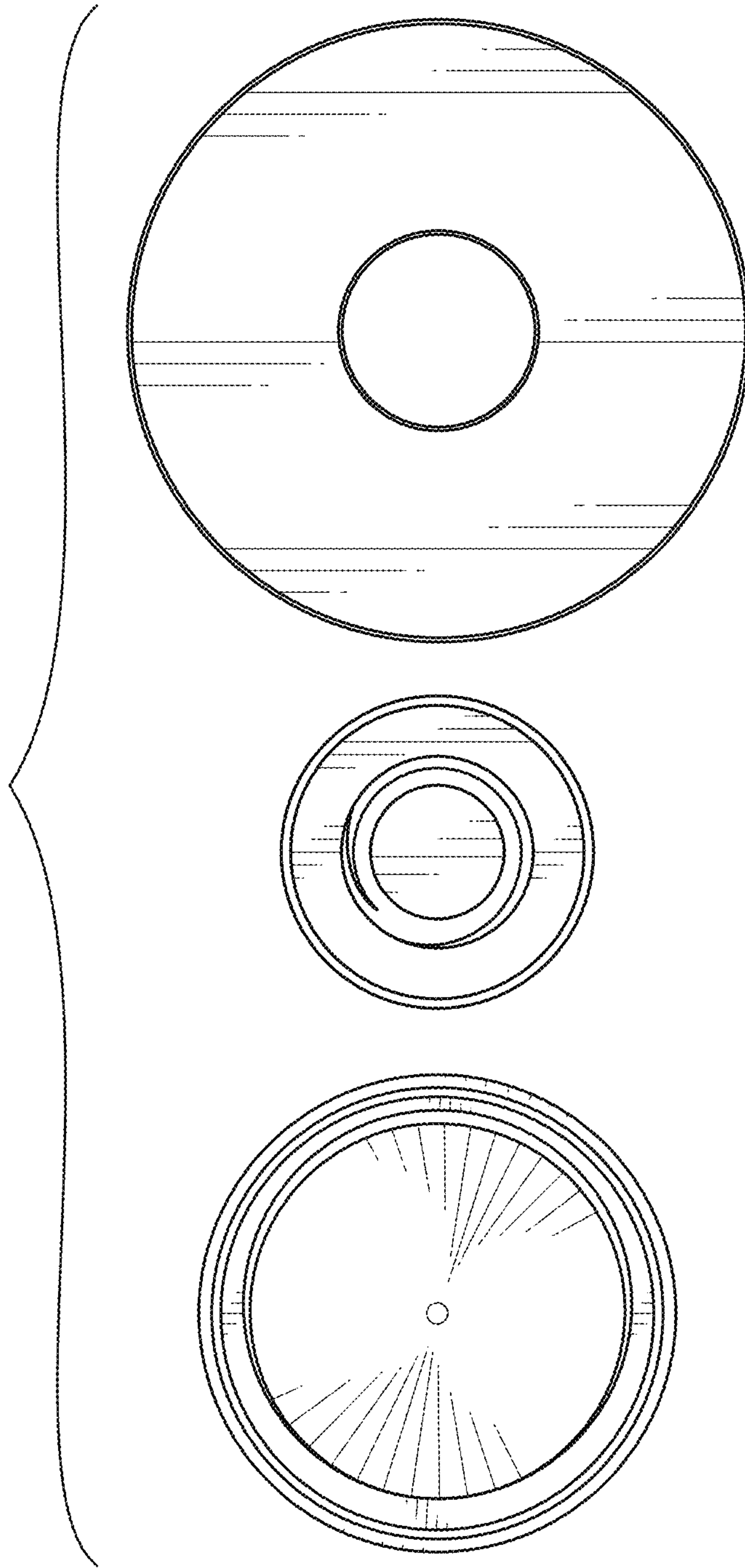


FIG. 18