



US00D829654S

(12) **United States Design Patent** (10) **Patent No.:** **US D829,654 S**
Sid (45) **Date of Patent:** **** Oct. 2, 2018**

(54) **CURRENT TRANSDUCER**

(71) Applicant: **LEM Intellectual Property SA,**
Fribourg (CH)
(72) Inventor: **Salim Sid,** Annemasse (FR)
(73) Assignee: **LEM INTELLECTUAL PROPERTY**
SA, Fribourg (CH)

(**) Term: **15 Years**

(21) Appl. No.: **29/619,310**

(22) Filed: **Sep. 28, 2017**

Related U.S. Application Data

(62) Division of application No. 35/501,128, filed on Dec. 22, 2015 (U.S. filing date under 35 U.S.C. 384), and having an international filing date of Dec. 22, 2015, now Pat. No. Des. 801,268.

(30) **Foreign Application Priority Data**

Dec. 22, 2015 (WO) DM/089118

(51) **LOC (11) Cl.** **13-02**

(52) **U.S. Cl.**
USPC **D13/110**

(58) **Field of Classification Search**

USPC D13/110, 101, 117, 123, 124, 159, 184,
D13/199; D10/75; 73/767, 771, 779,
73/801, 811; 324/117 H, 117 R, 120,
324/121 R, 127; 361/18, 30, 31,
361/93.1-93.9; 367/140;
369/13.11-13.13; 381/150; 336/173,
336/176, 178
CPC . G01L 19/0084; G01L 19/143; G01L 19/146;
G01L 19/147; G01R 1/04; G01R 15/207;
G01R 15/241; H01R 15/202; H01R
15/207; H01R 12/58; H01R 13/745;
H01R 13/6683; H01R 2201/20; H01R
2201/22

See application file for complete search history.

(56) **References Cited**

U.S. PATENT DOCUMENTS

D260,635 S * 9/1981 Lockwood D13/110
4,746,891 A * 5/1988 Zylstra H01F 38/30
336/171
5,184,107 A * 2/1993 Maurer G01L 19/0084
29/621.1

(Continued)

Primary Examiner — Derrick Holland

(74) *Attorney, Agent, or Firm* — Harness, Dickey & Pierce, P.L.C.

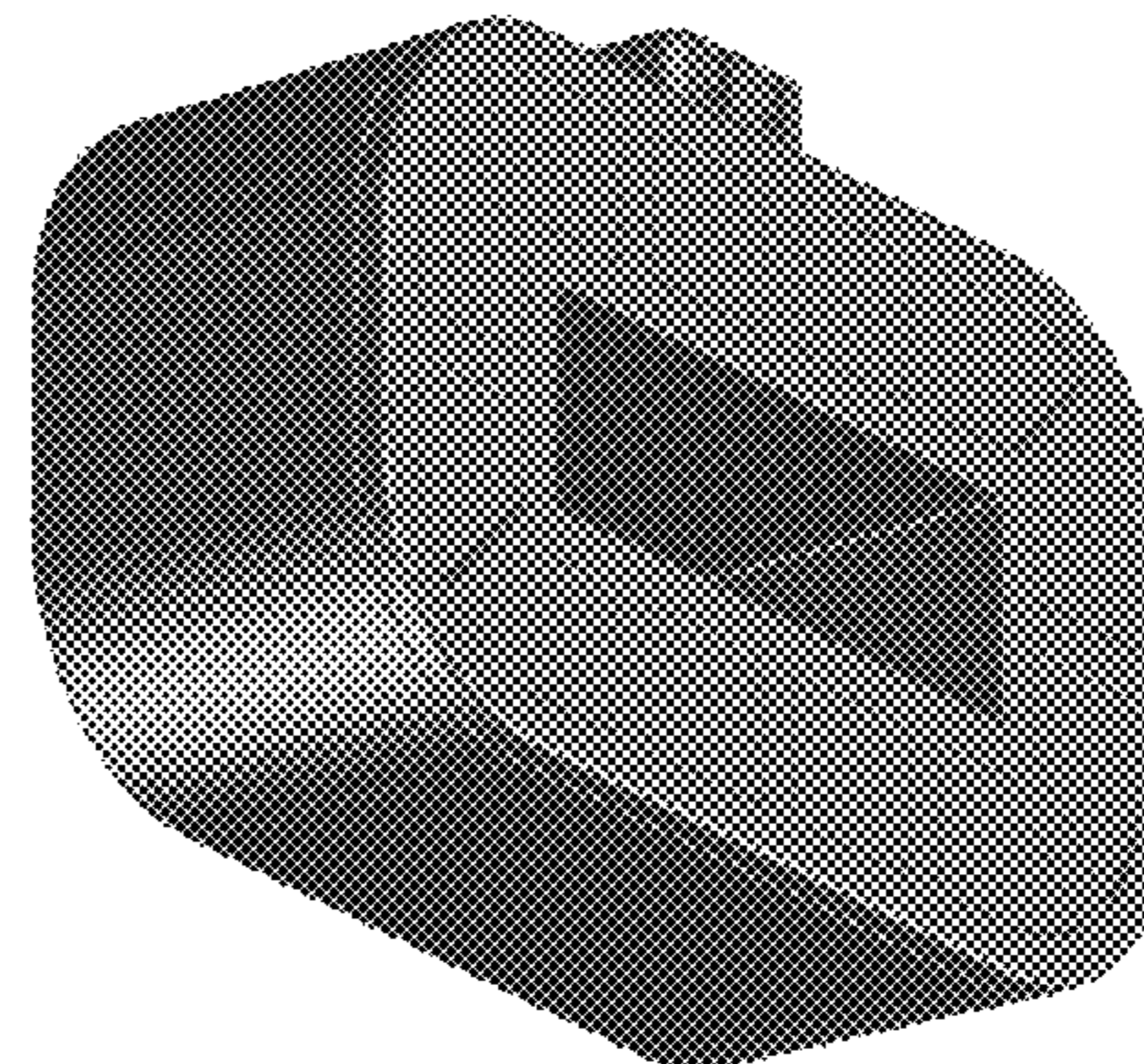
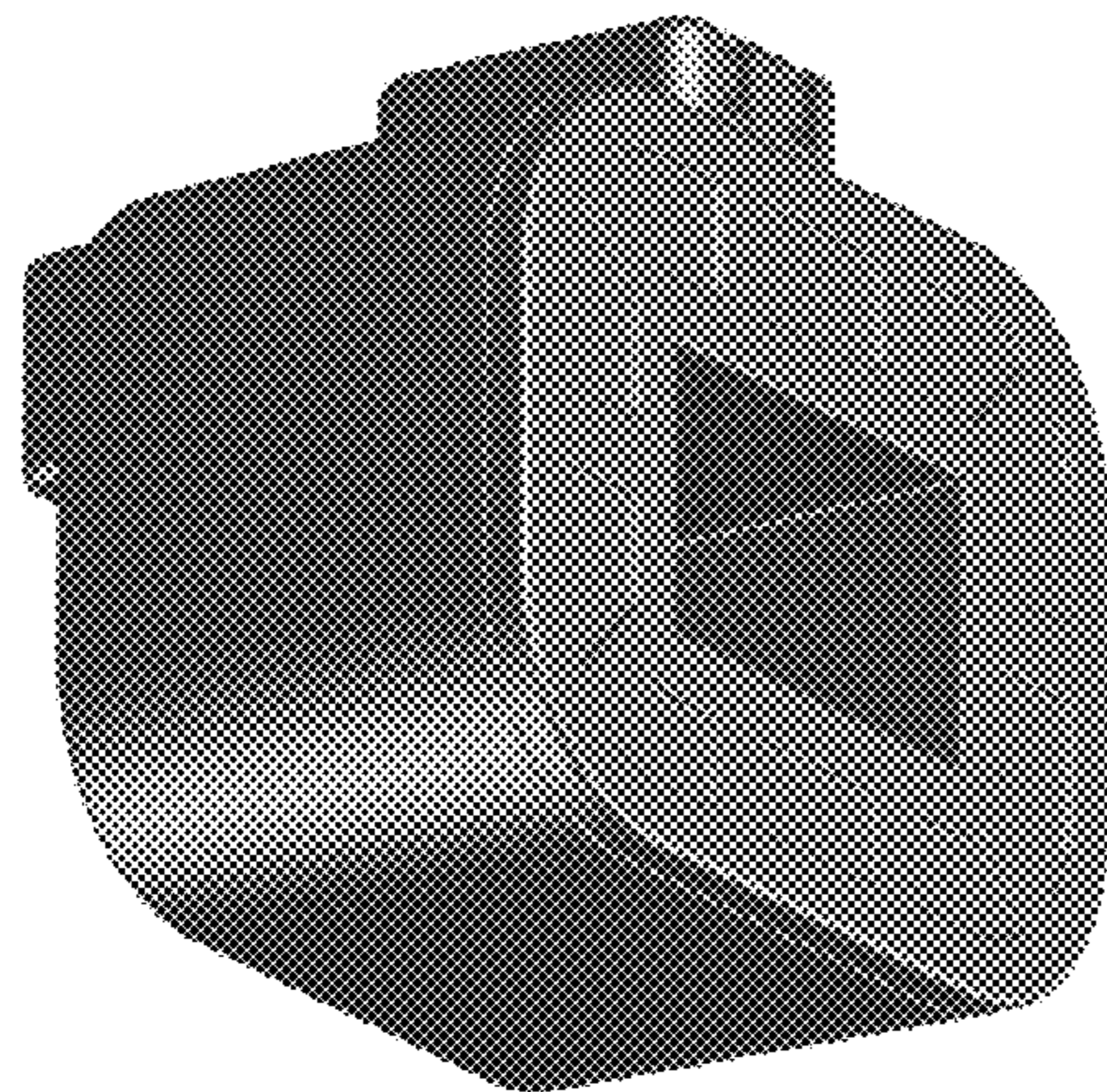
(57) **CLAIM**

The ornamental design for a current transducer, as shown and described.

DESCRIPTION

FIG. 1 is a bottom front perspective view of a first embodiment of a current transducer showing my new design; FIG. 2 is a top rear perspective view thereof; FIG. 3 is a front view thereof; FIG. 4 is a rear view thereof; FIG. 5 is a top plan view thereof; FIG. 6 is a bottom plan view thereof; FIG. 7 is a left side view thereof; and FIG. 8 is a right side view thereof. FIG. 9 is a bottom front perspective view of a second embodiment of a current transducer showing my new design; FIG. 10 is a top rear perspective view thereof; FIG. 11 is a front view thereof; FIG. 12 is a rear view thereof; FIG. 13 is a top plan view thereof; FIG. 14 is a bottom plan view thereof; FIG. 15 is a left side view thereof; and FIG. 16 is a right side view thereof.

1 Claim, 16 Drawing Sheets



(56)

References Cited

U.S. PATENT DOCUMENTS

7,705,272	B2	4/2010	Kelly et al.	
D640,198	S	6/2011	Wu et al.	
D649,115	S	11/2011	Miura	
D650,906	S	12/2011	Phillips	
D686,156	S	7/2013	Ye	
D688,626	S *	8/2013	Ye	D13/110
D693,301	S	11/2013	Laurino et al.	
D706,714	S	6/2014	Laurino et al.	
D721,651	S	1/2015	Iwakura et al.	
D742,842	S *	11/2015	Hayashi	D13/182
D769,190	S *	10/2016	Sid	D13/110
D769,817	S	10/2016	Sid	
D779,429	S	2/2017	Yamada	
D779,430	S	2/2017	Hayashizaka et al.	
D788,017	S	5/2017	Smallhorn	
2017/0010310	A1	1/2017	Morel et al.	

* cited by examiner

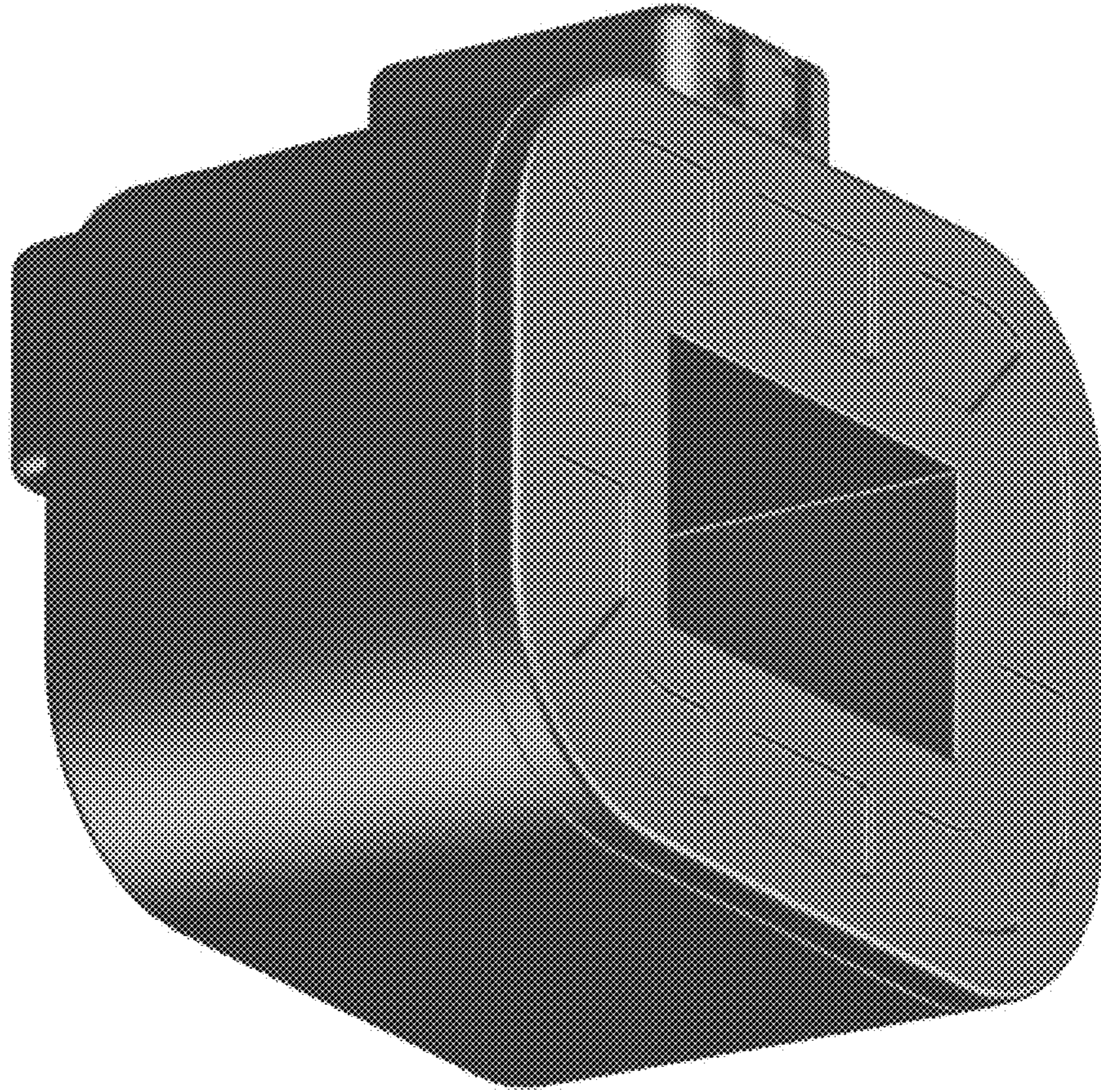


FIG. 1

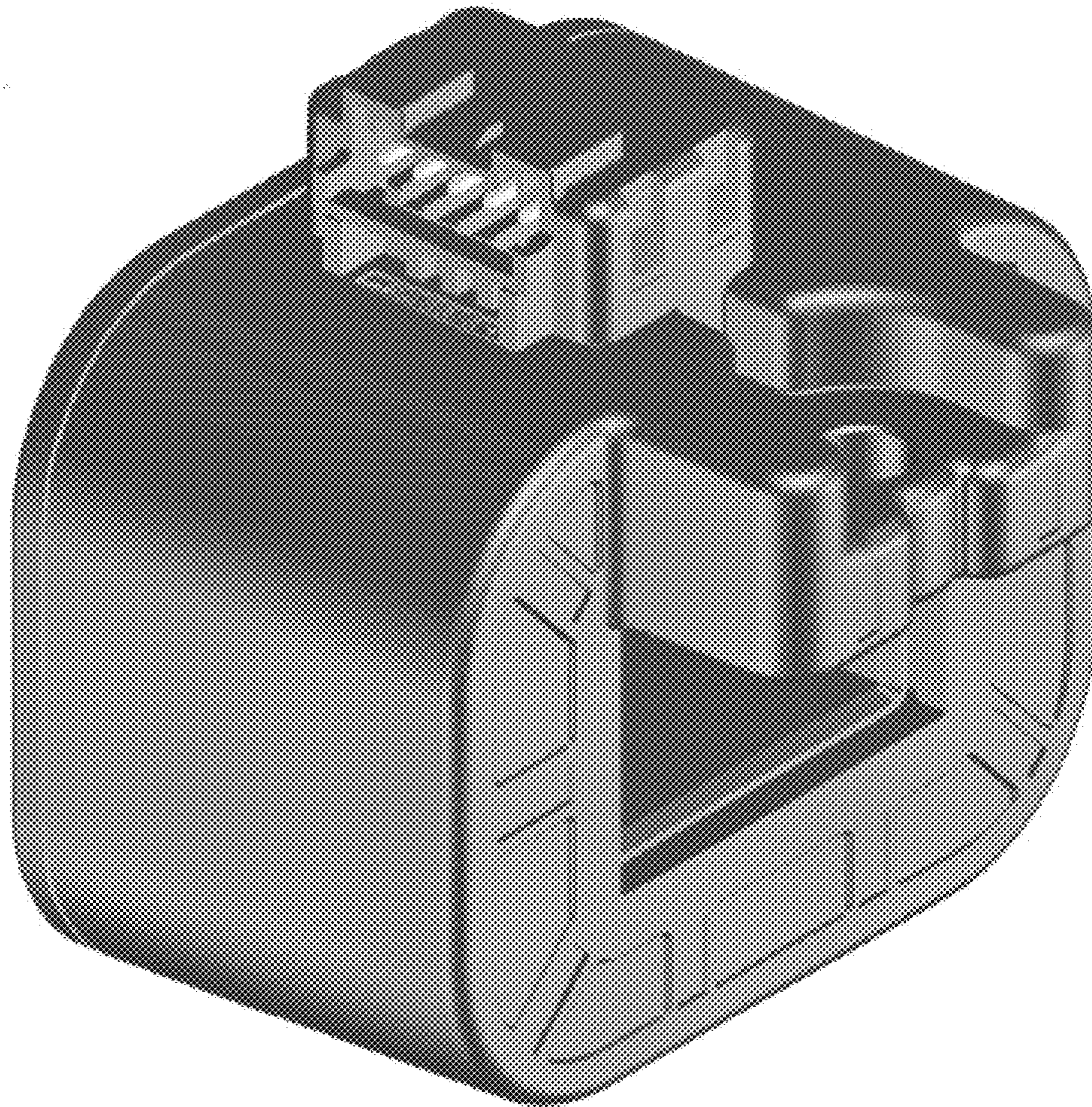


FIG. 2

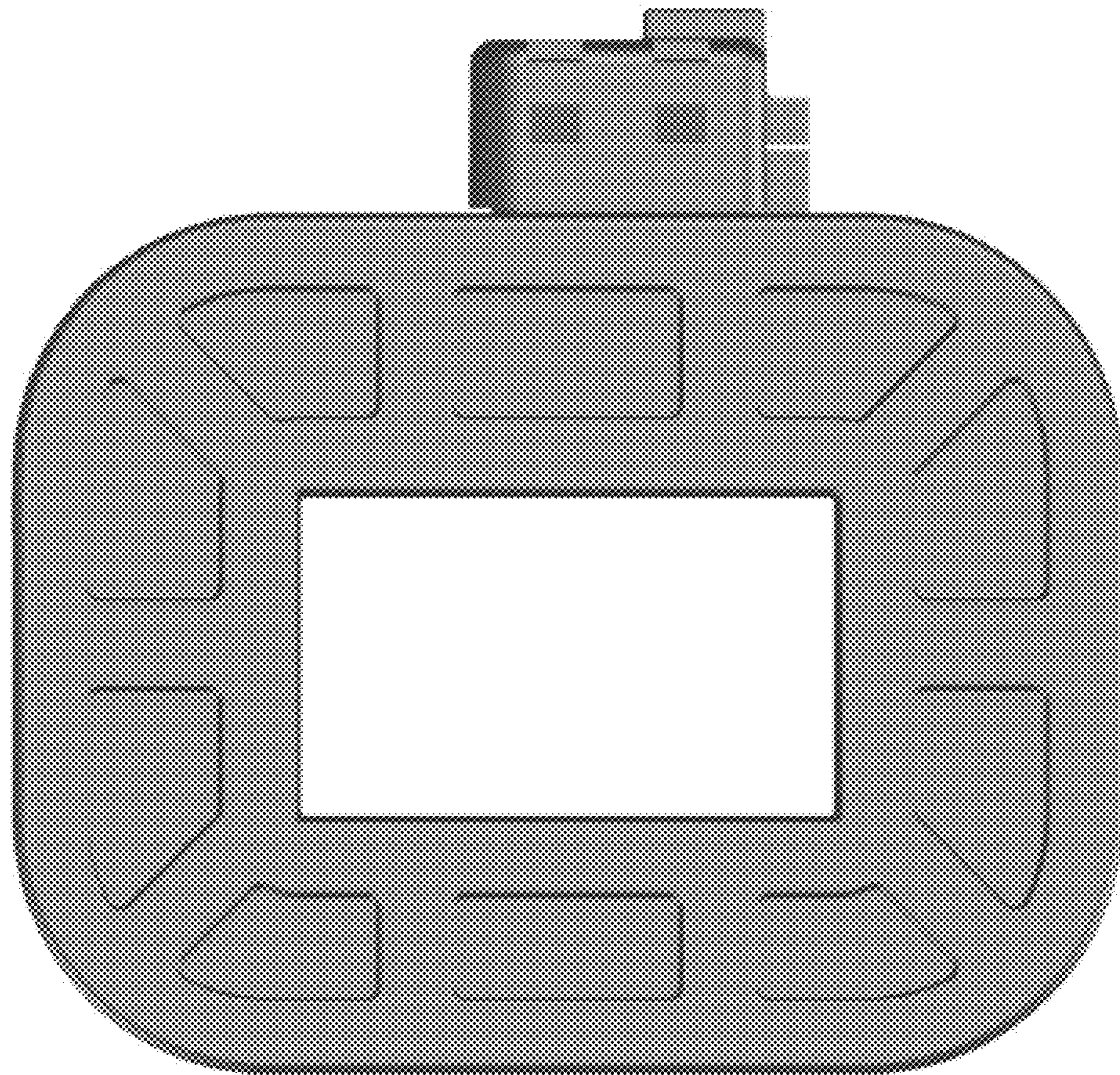


FIG. 3

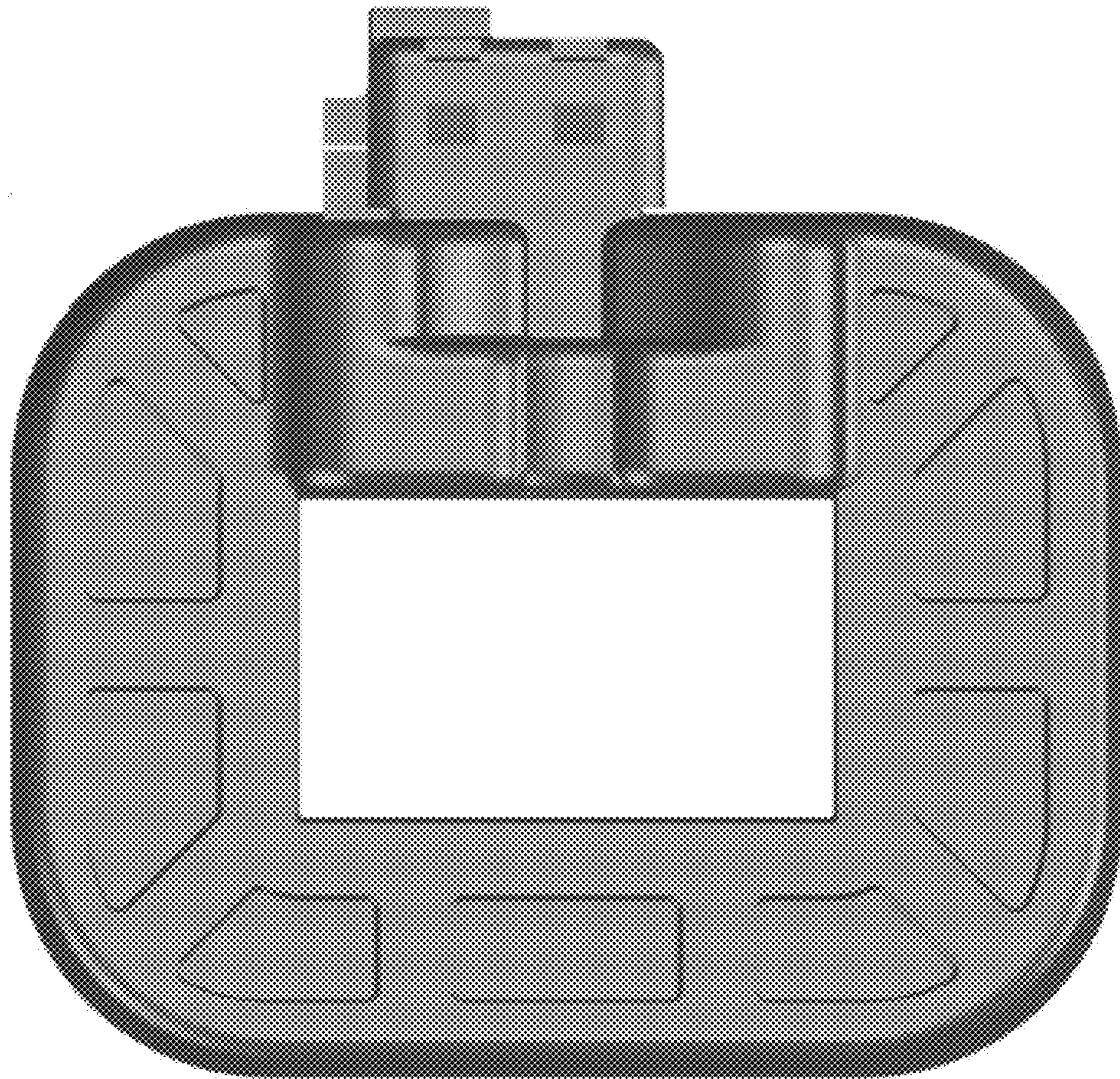


FIG. 4

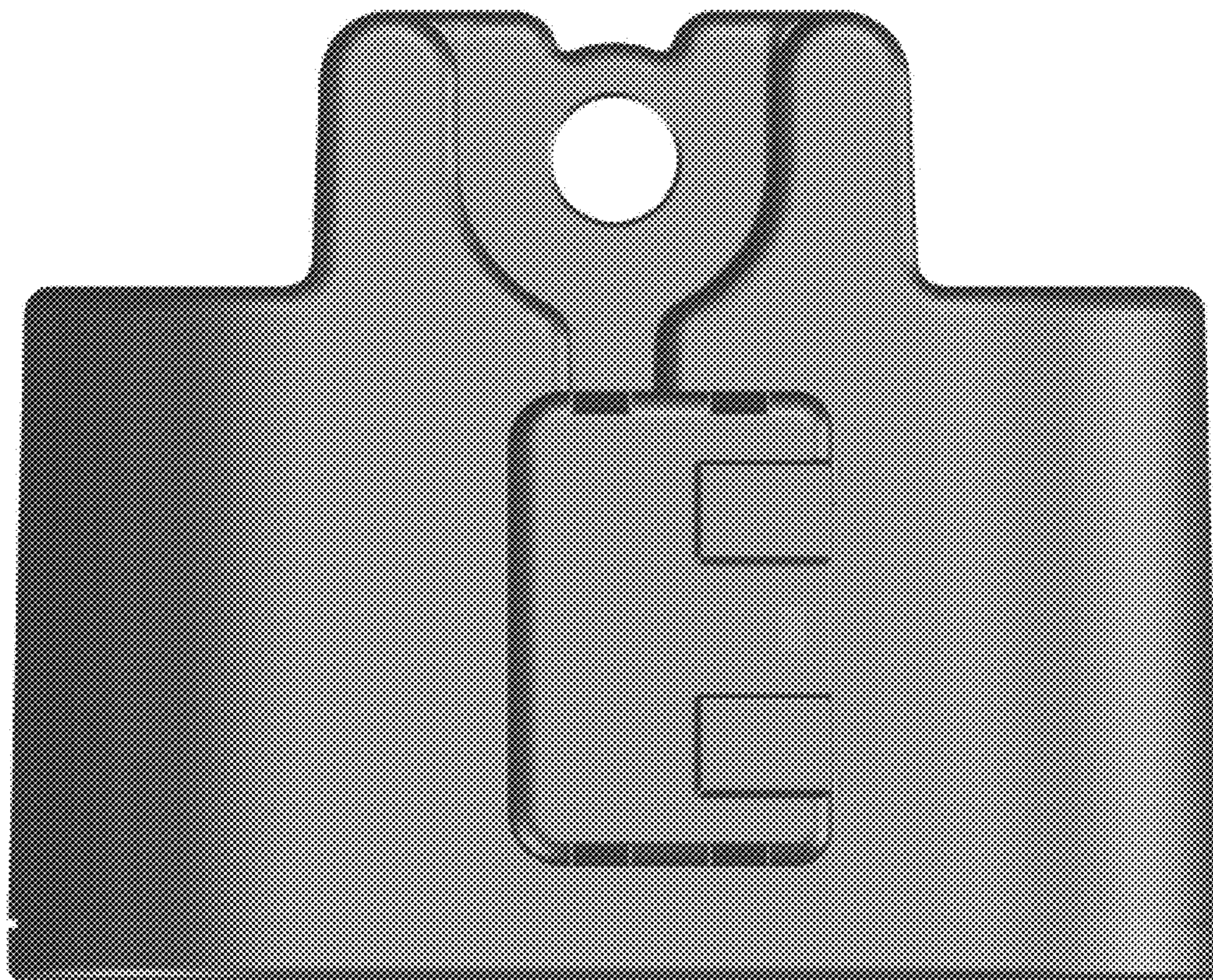


FIG. 5

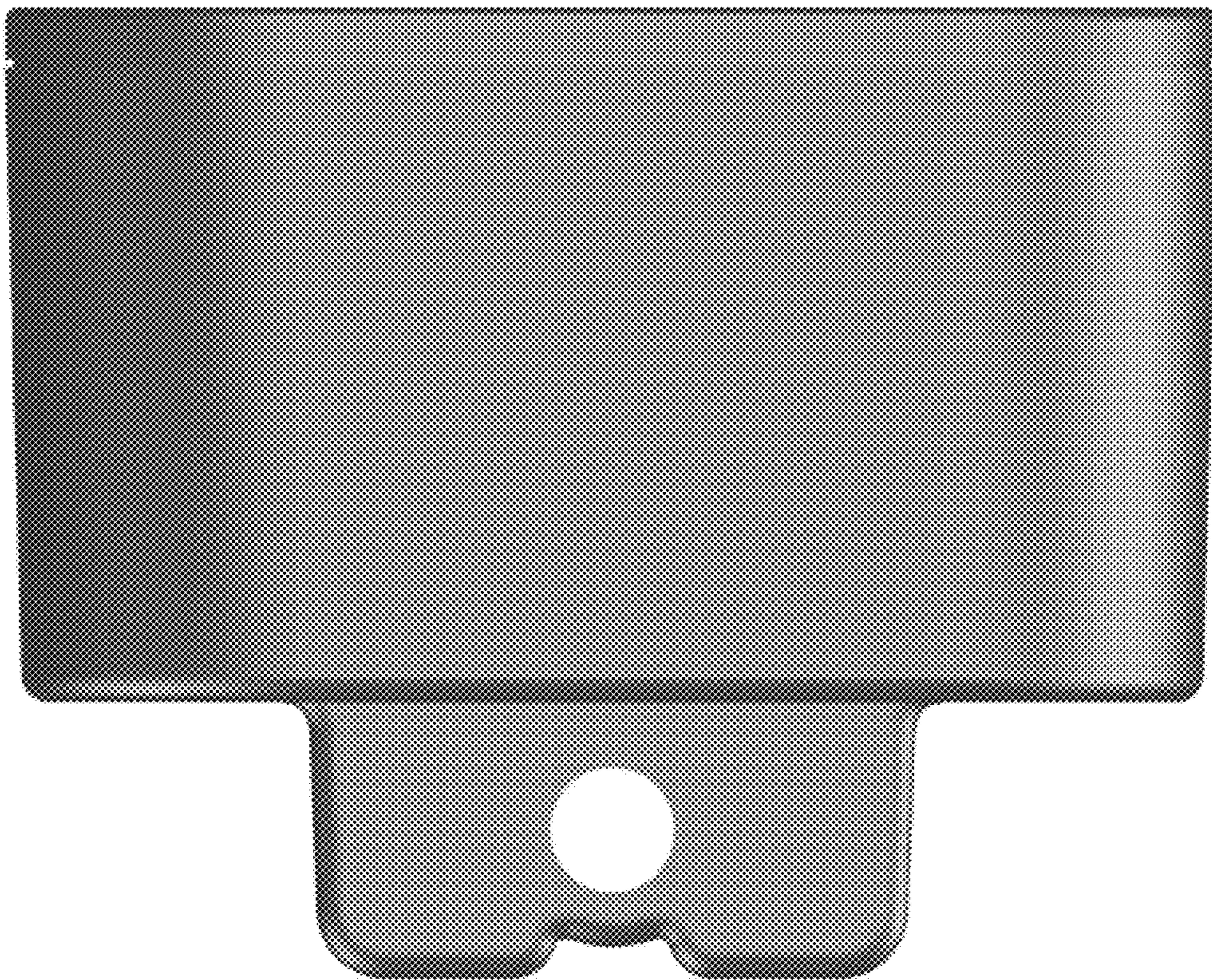


FIG. 6

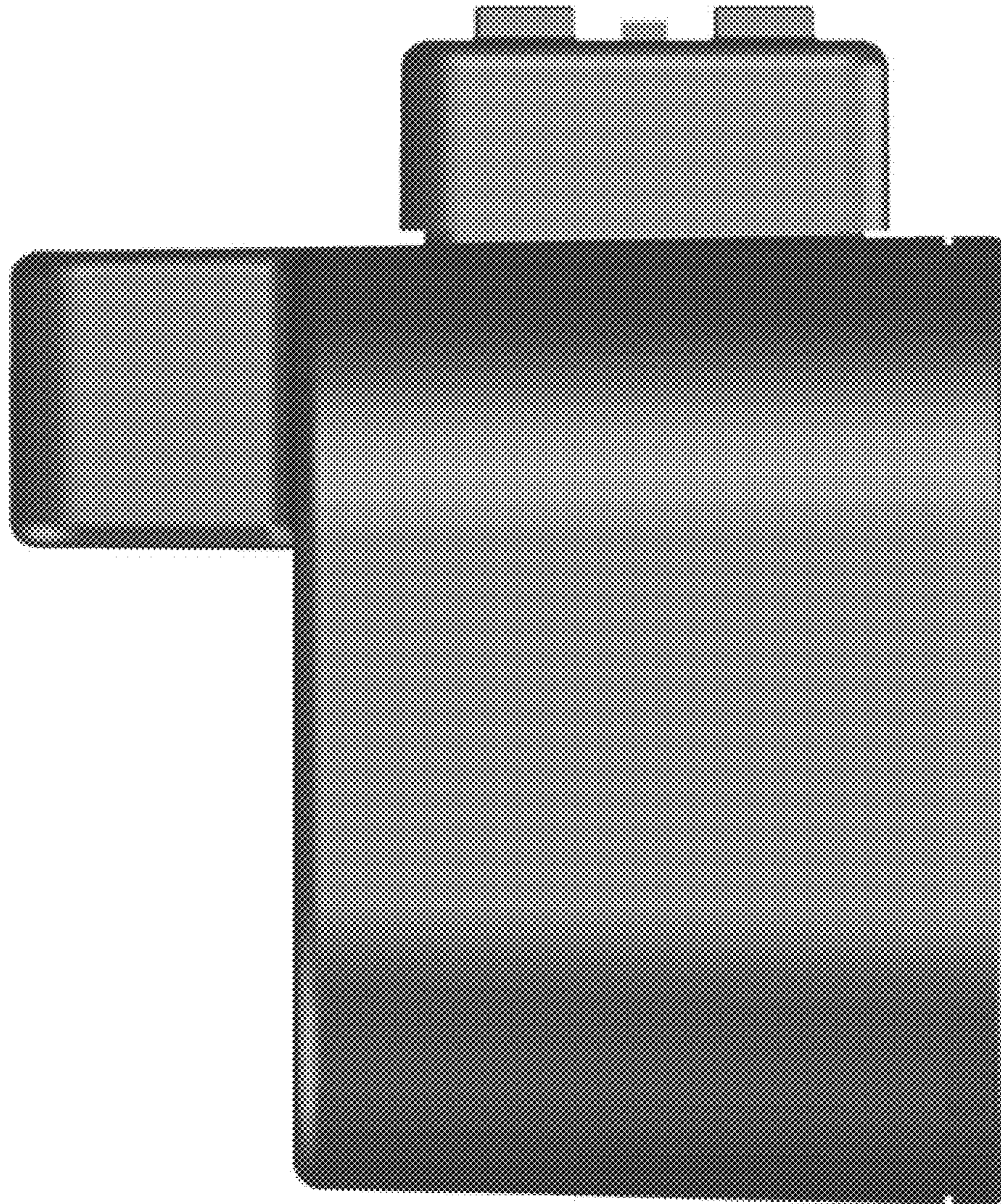


FIG. 7

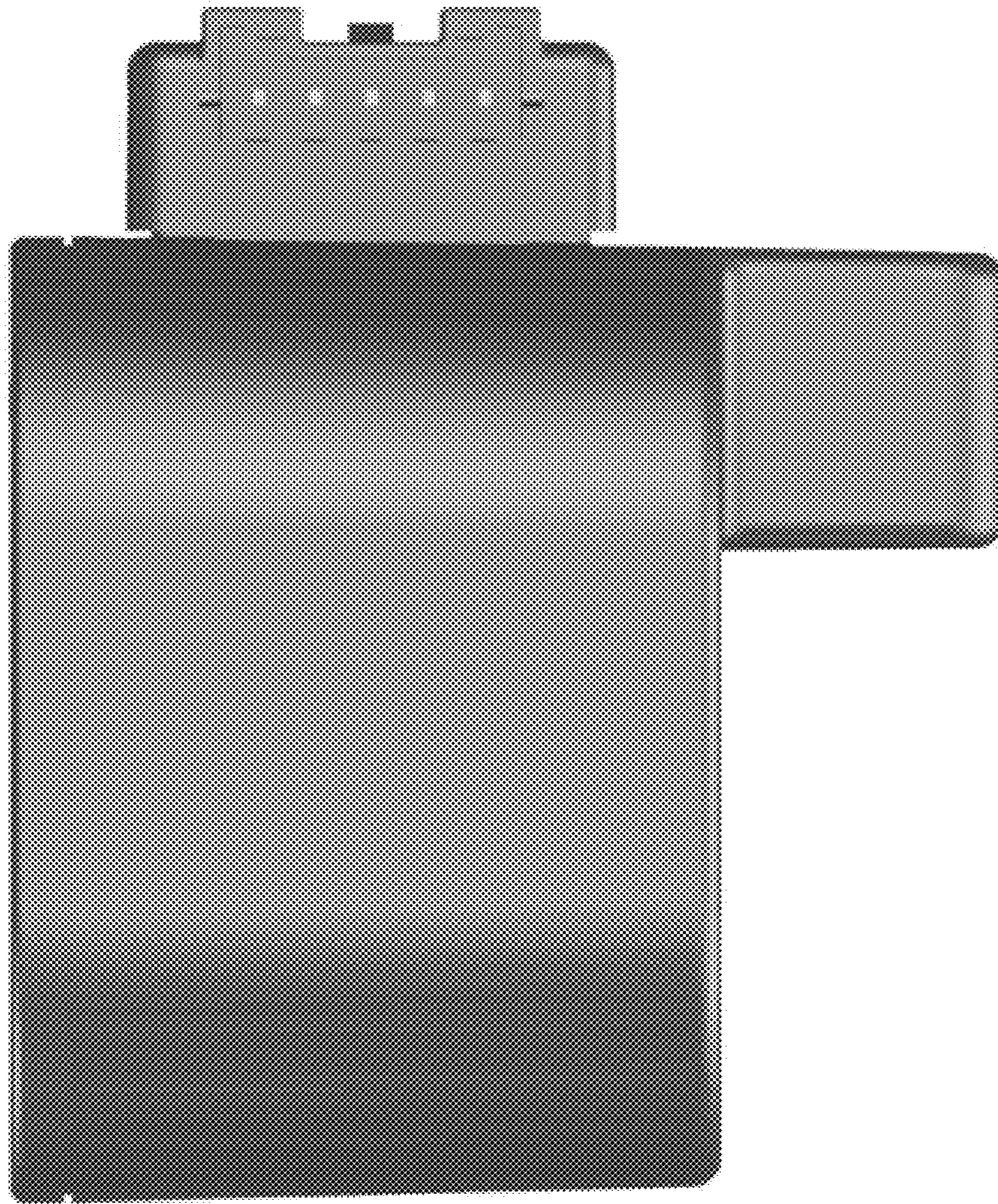


FIG. 8

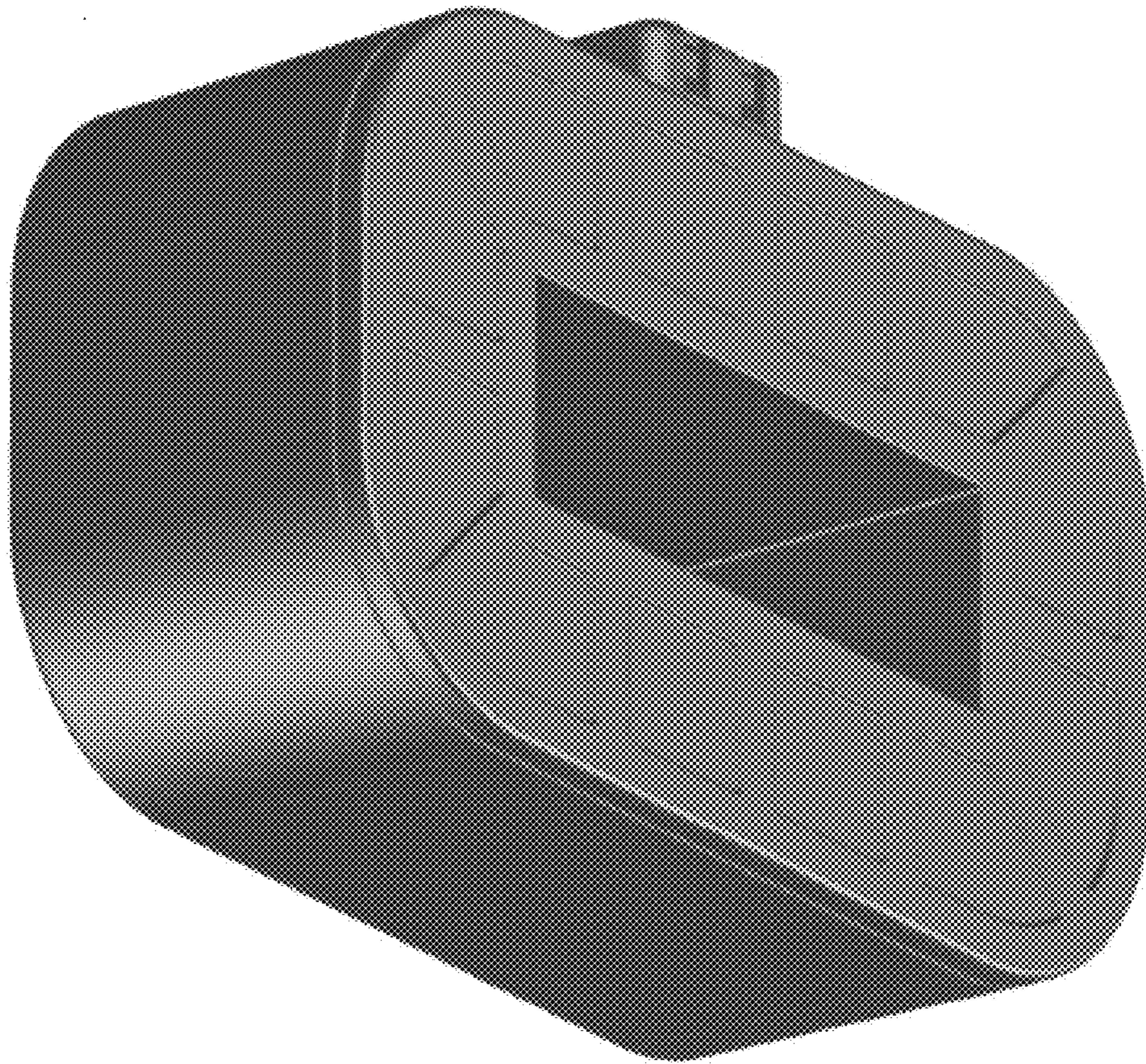


FIG. 9

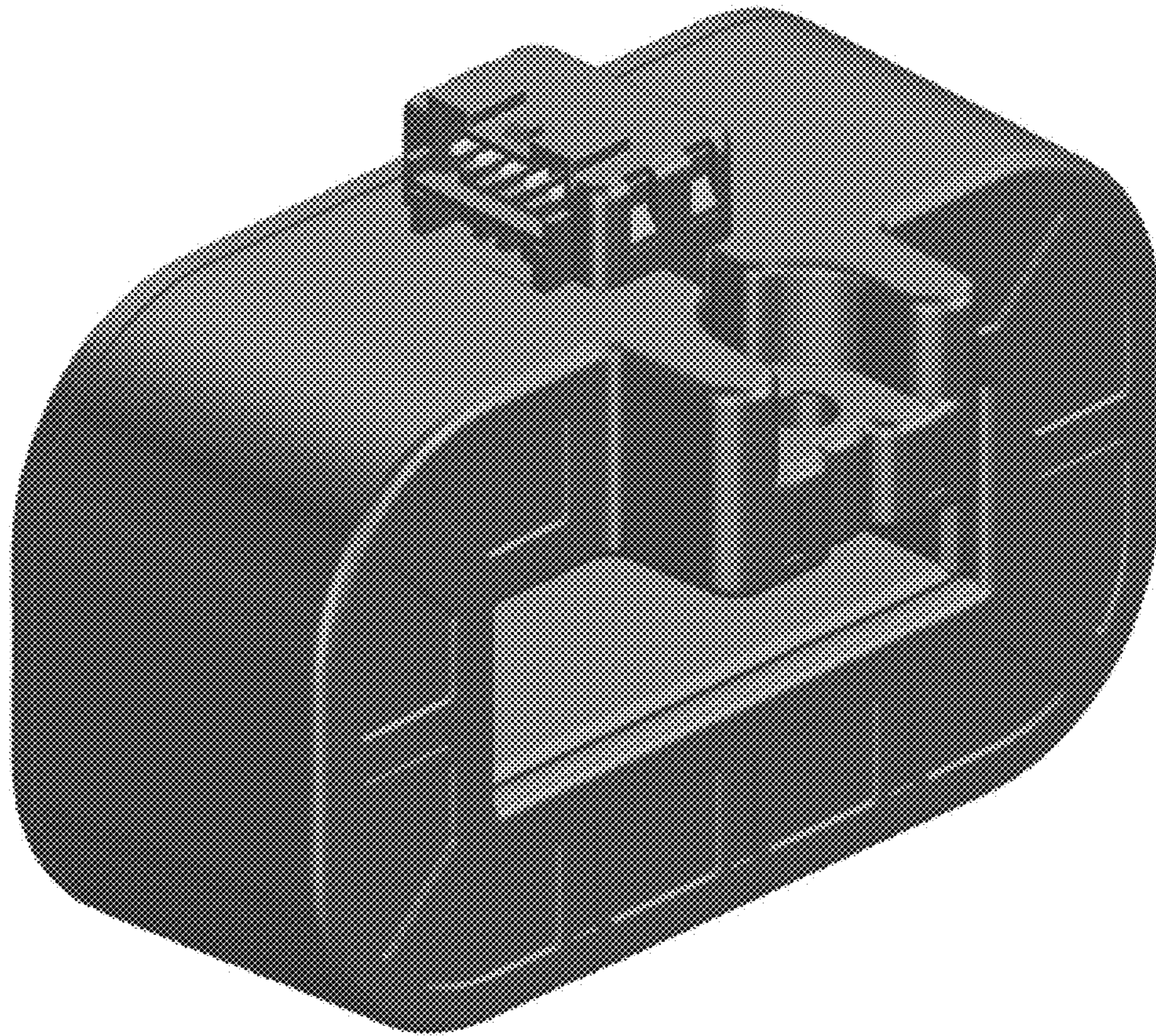


FIG. 10

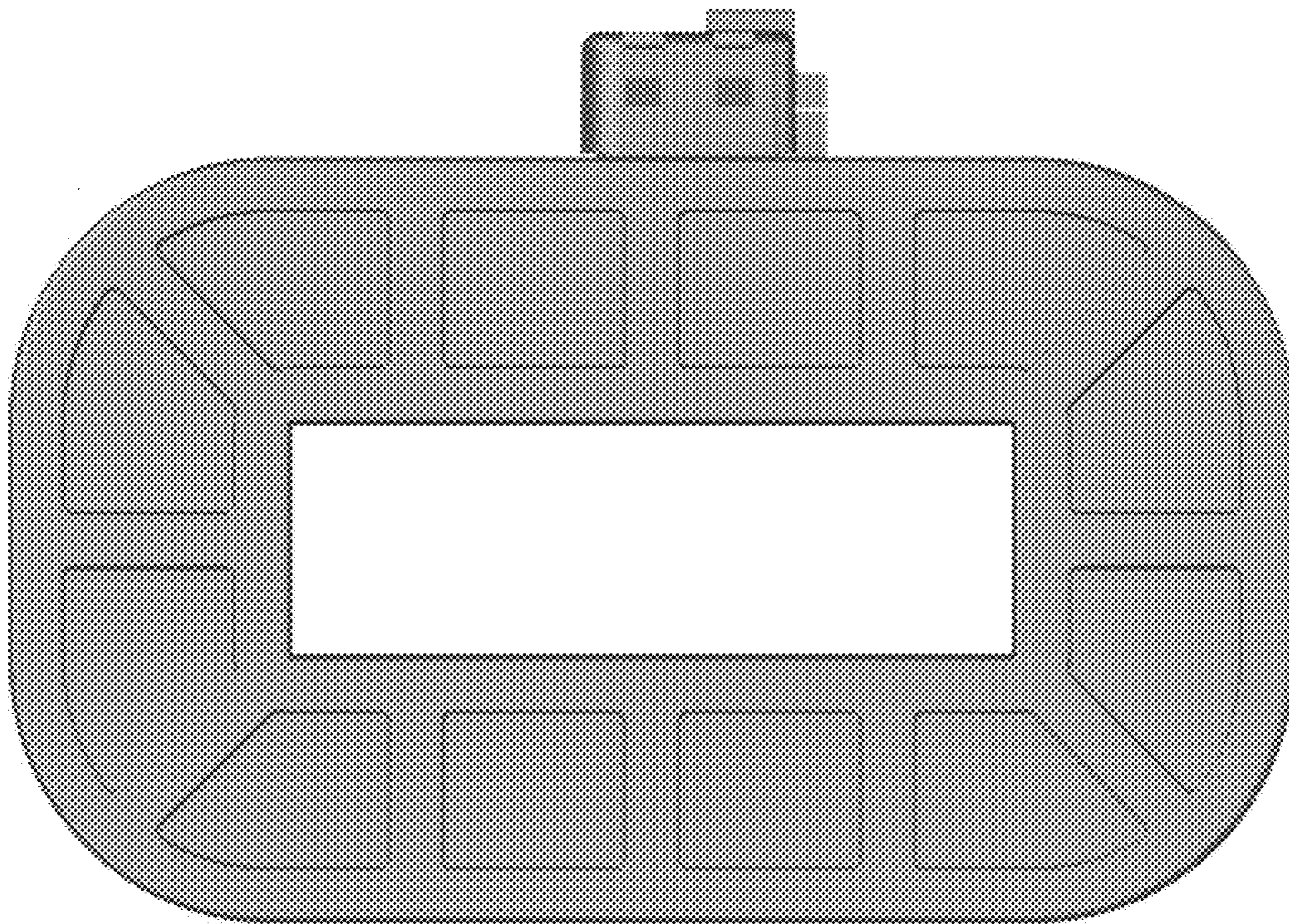


FIG. 11

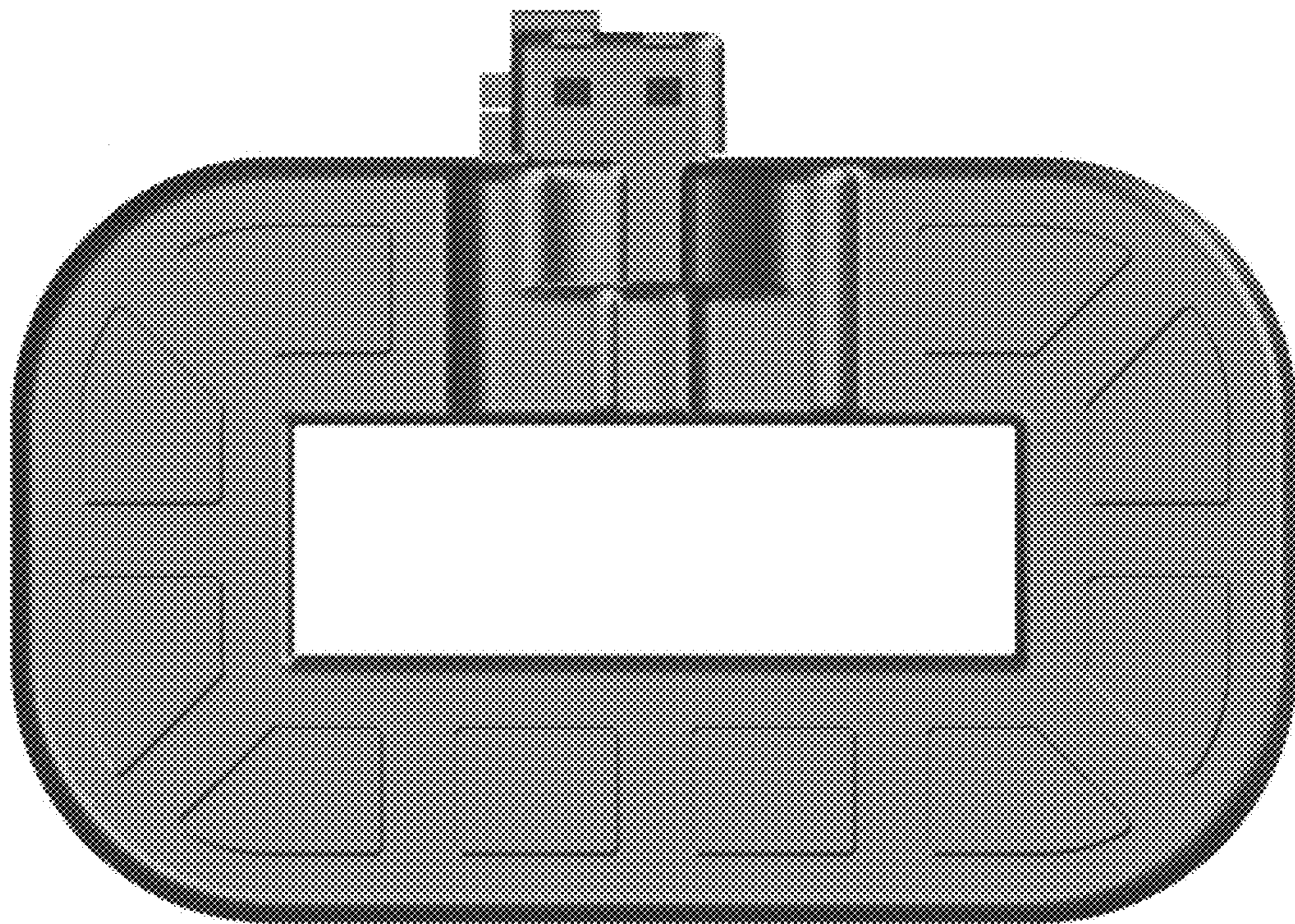


FIG. 12

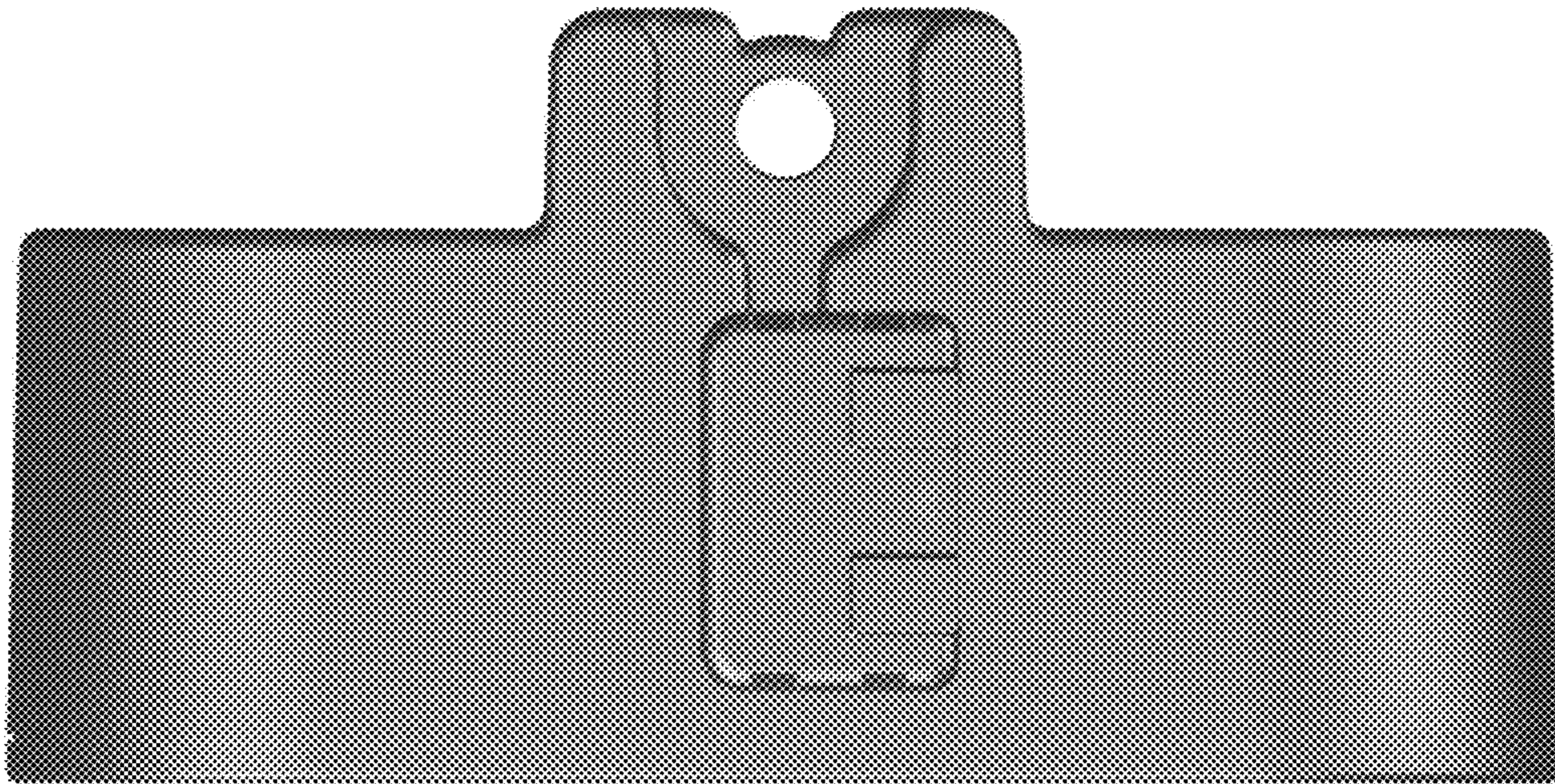


FIG. 13

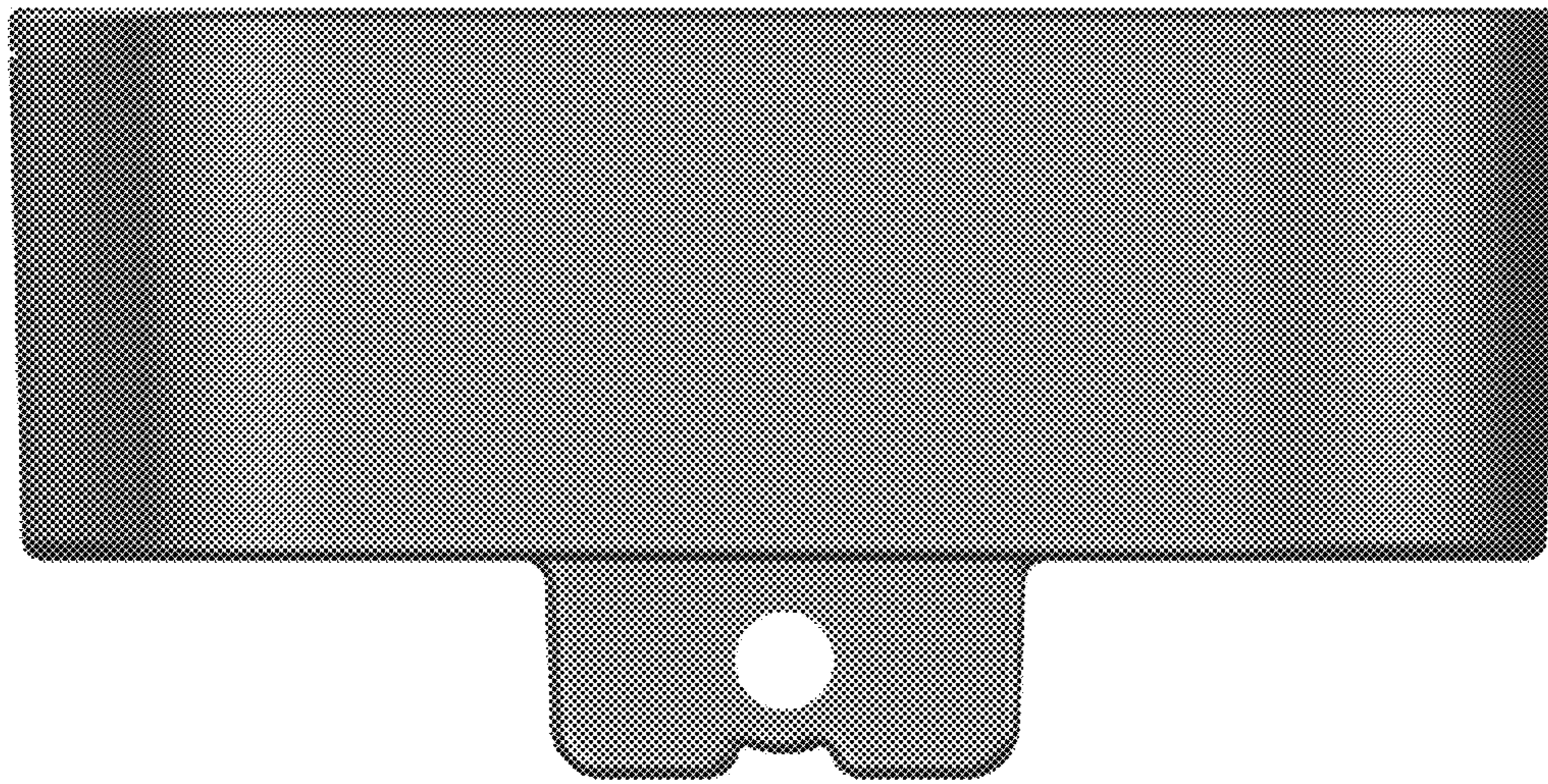


FIG. 14

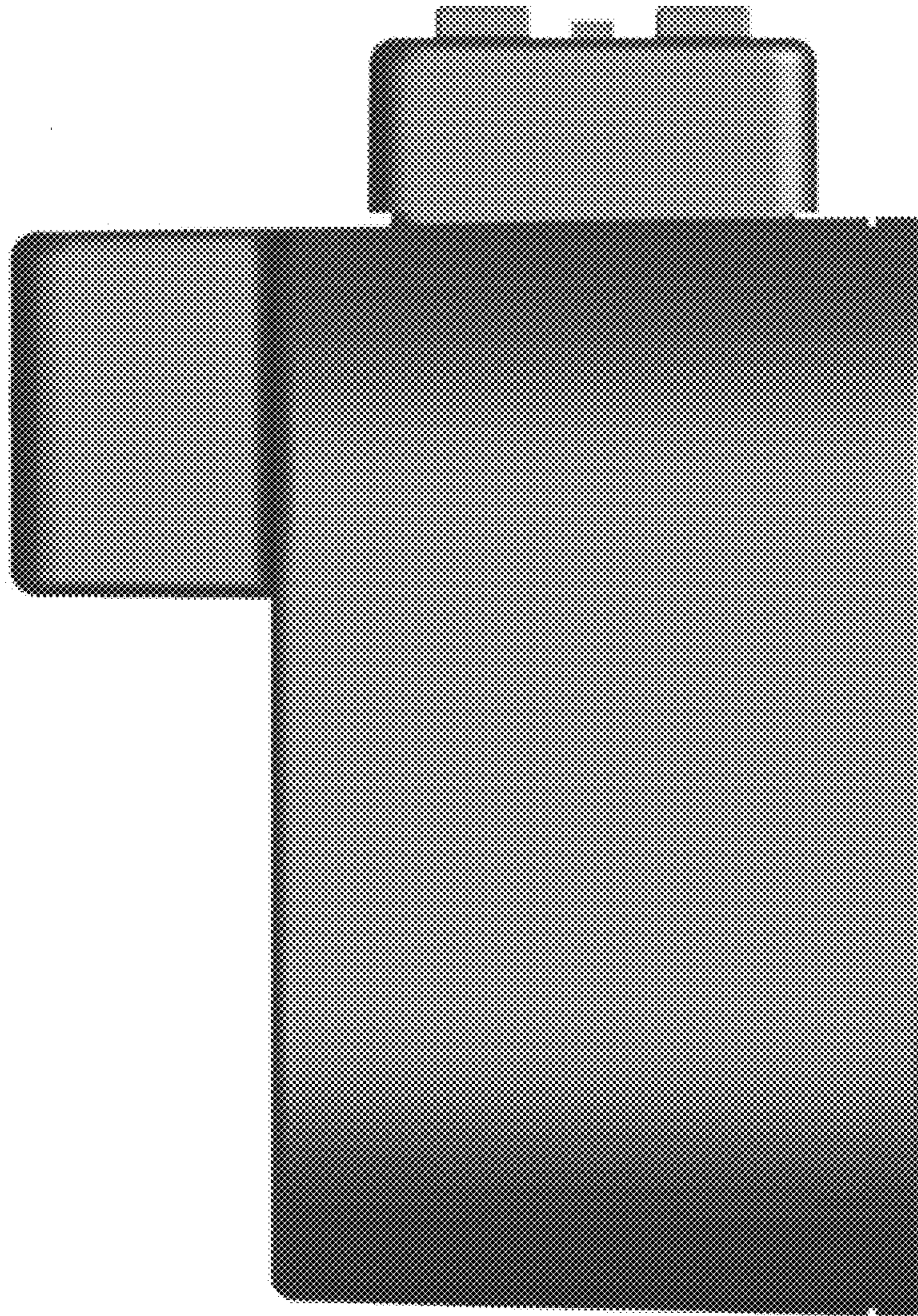


FIG. 15

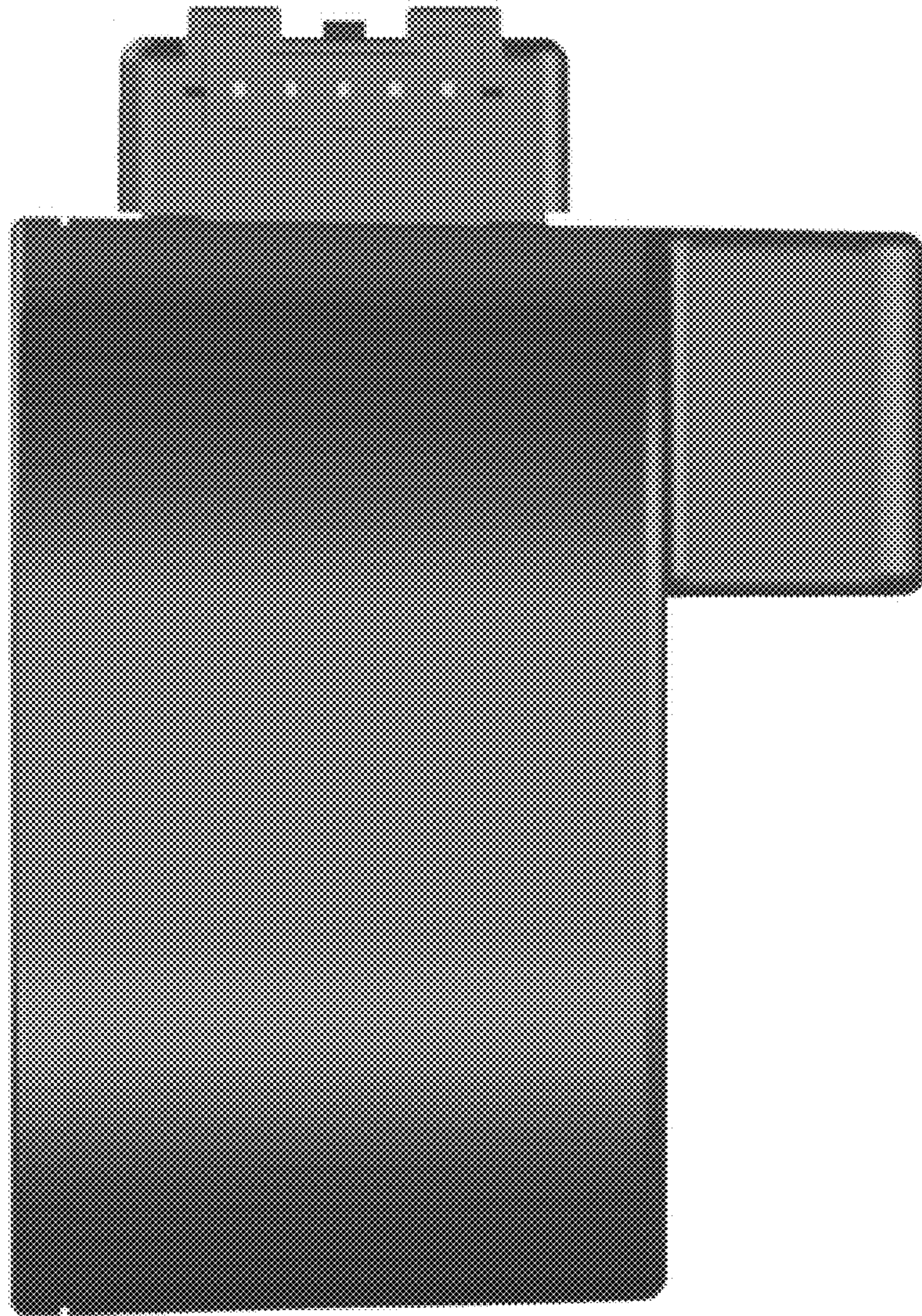


FIG. 16