

US00D829653S

(12) **United States Design Patent**  
**Inskeep et al.**

(10) **Patent No.:** **US D829,653 S**

(45) **Date of Patent:** **\*\* Oct. 2, 2018**

(54) **INVERTER**

(71) Applicants: **Mathew Inskeep**, Highland Beach, FL  
(US); **Ling To Shum**, Boca Raton, FL  
(US)

(72) Inventors: **Mathew Inskeep**, Highland Beach, FL  
(US); **Ling To Shum**, Boca Raton, FL  
(US)

(\*\*) Term: **15 Years**

(21) Appl. No.: **29/609,112**

(22) Filed: **Jun. 28, 2017**

(51) **LOC (11) Cl.** ..... **13-02**

(52) **U.S. Cl.**  
USPC ..... **D13/110**

(58) **Field of Classification Search**

USPC ..... D13/110, 108, 118, 123, 162, 168, 169,  
D13/174, 177, 184, 199; D14/257, 432,  
D14/438; 174/16.3, 17 R, 17.08;  
361/600, 601, 690, 694, 695, 679.01,  
361/679.61, 704, 730; 363/141, 142  
CPC ..... H05K 5/00; H05K 5/02; H05K 5/0247;  
H05K 7/00; H05K 7/20; H05K 7/20136;  
H05K 7/20154; H05K 7/209; H02M 7/00;  
H02M 7/003; H02J 7/0042  
See application file for complete search history.

(56) **References Cited**

**U.S. PATENT DOCUMENTS**

5,949,640 A \* 9/1999 Cameron ..... H05K 5/0247  
361/600  
D505,915 S \* 6/2005 Hussaini ..... D13/110

D526,614 S \* 8/2006 Kajiura ..... D13/110  
D609,180 S \* 2/2010 Suzuki ..... D13/110  
7,817,406 B2 \* 10/2010 Bremicker ..... H02M 7/003  
248/917  
D693,298 S \* 11/2013 Inskeep ..... D13/110  
D704,638 S \* 5/2014 Inskeep ..... D13/110  
D706,214 S \* 6/2014 Benn ..... D13/110  
D742,826 S \* 11/2015 Hetzroni ..... D13/110

\* cited by examiner

*Primary Examiner* — Derrick Holland

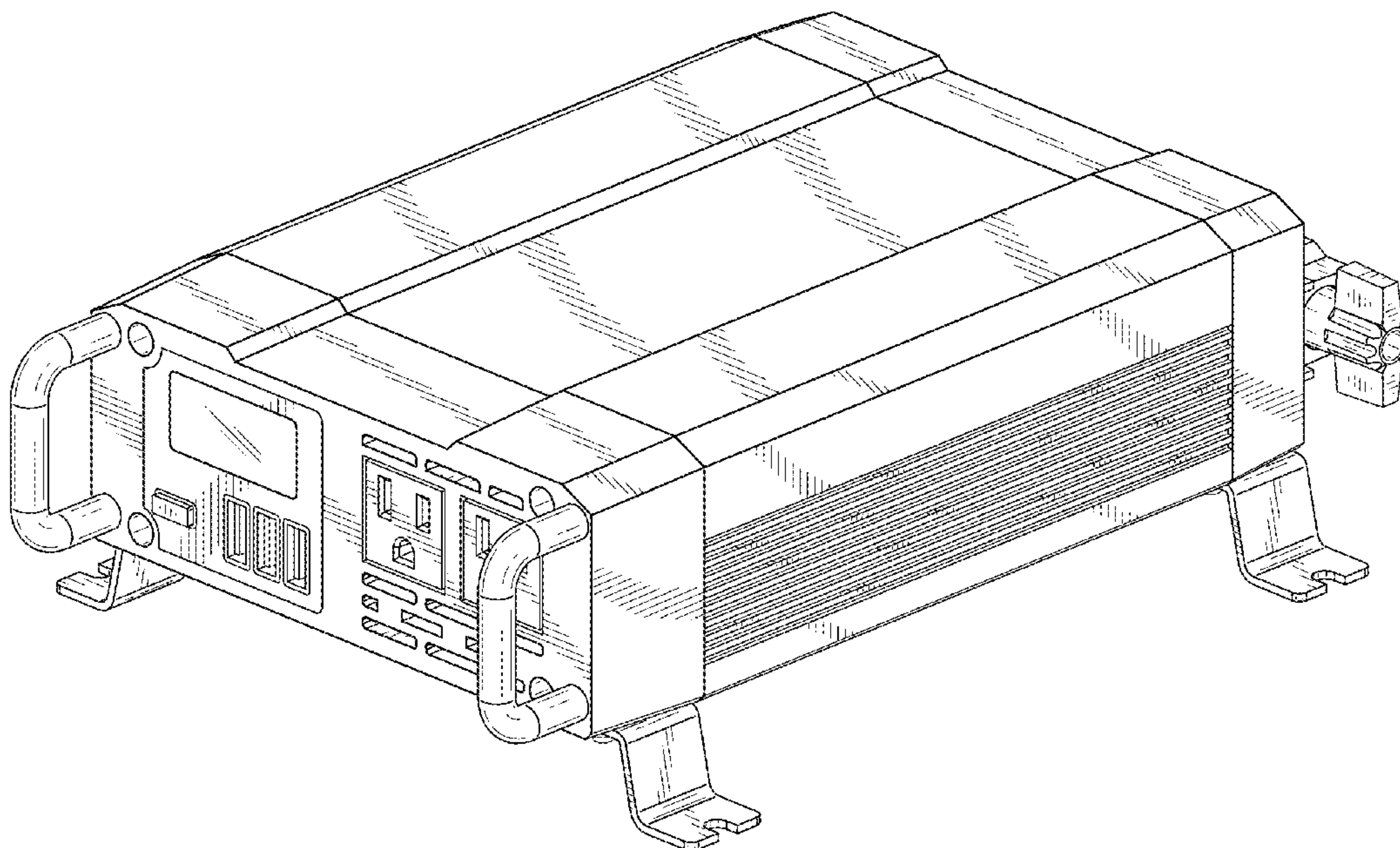
(57) **CLAIM**

The ornamental design for an inverter, as shown and described.

**DESCRIPTION**

FIG. 1 is a top perspective view of an inverter showing our new design.  
FIG. 2 is a bottom back facing perspective view thereof.  
FIG. 3 is a left side perspective back facing view thereof.  
FIG. 4 is a top view thereof.  
FIG. 5 is a bottom view thereof.  
FIG. 6 is a front view thereof.  
FIG. 7 is a back view thereof.  
FIG. 8 is a left side view thereof; and,  
FIG. 9 is a right side view thereof.

**1 Claim, 9 Drawing Sheets**



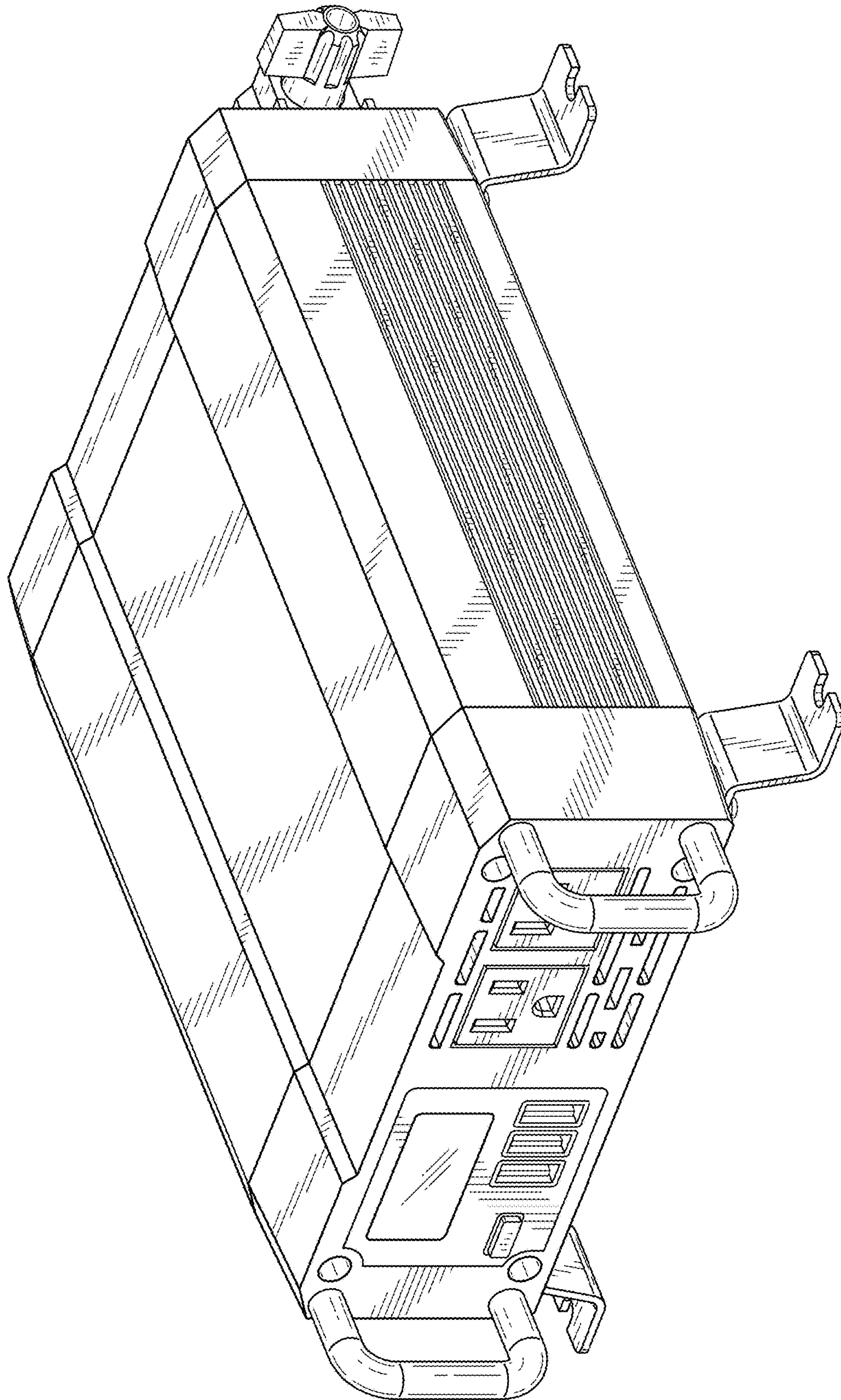


FIG. 1



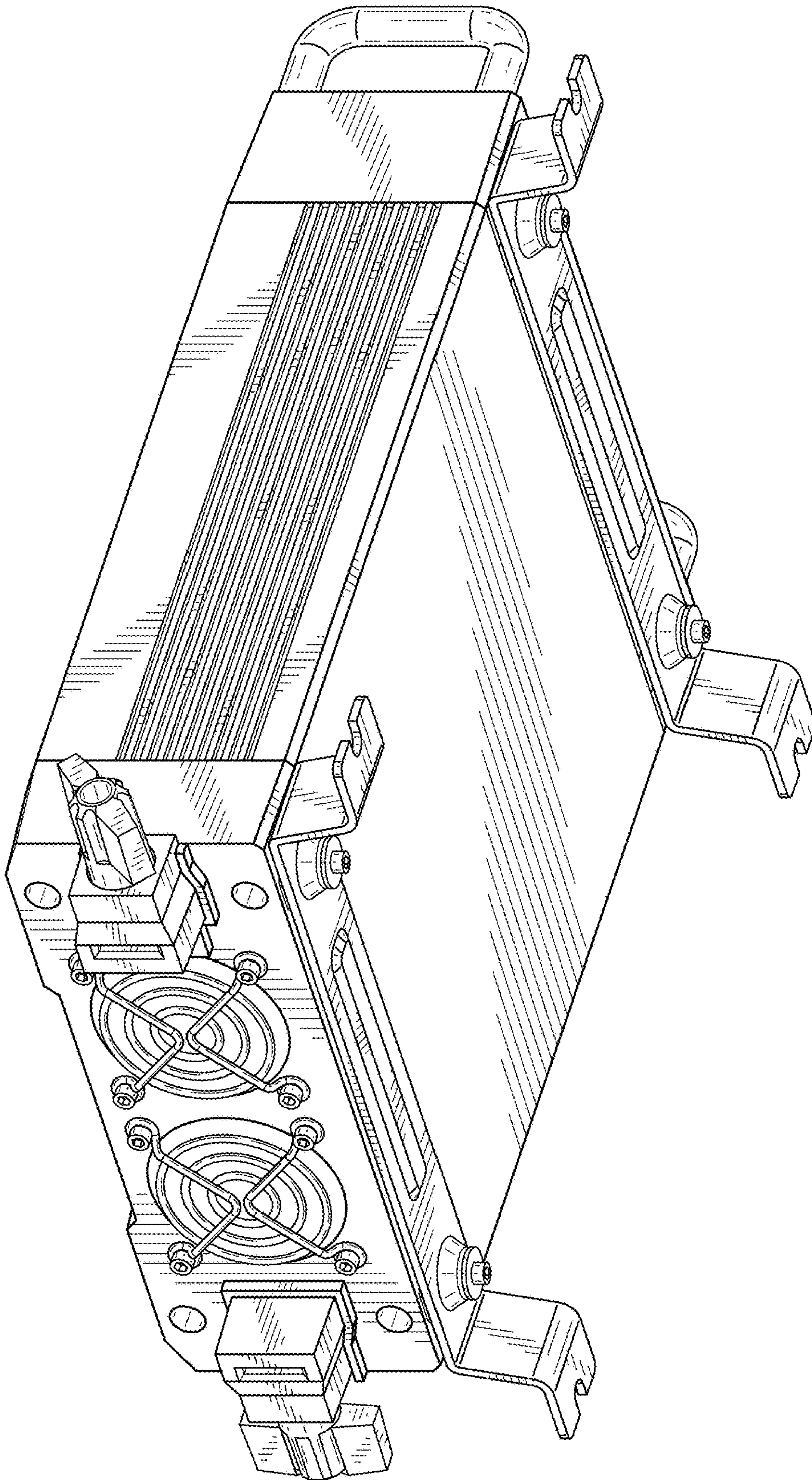


FIG. 2

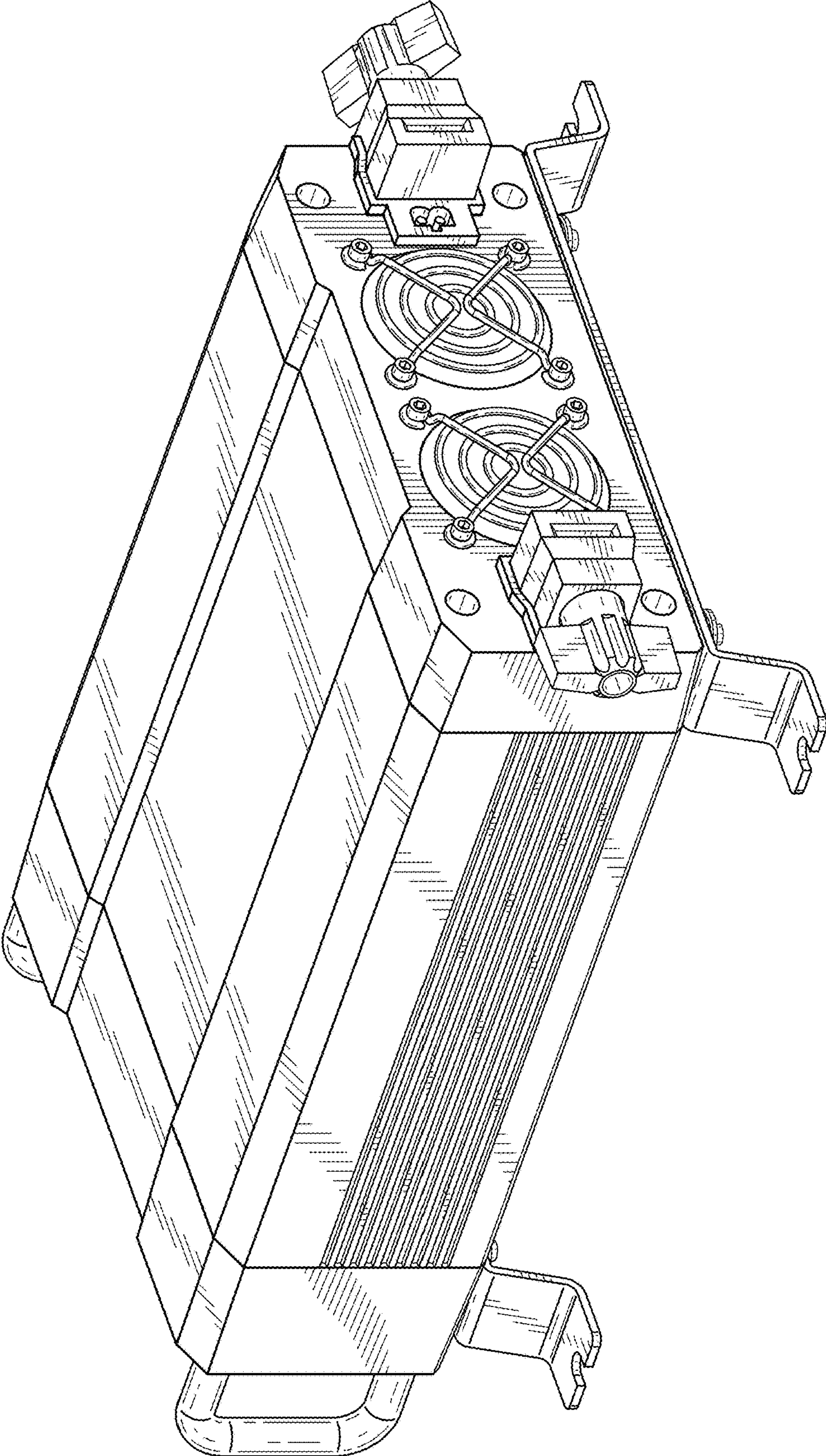


FIG. 3



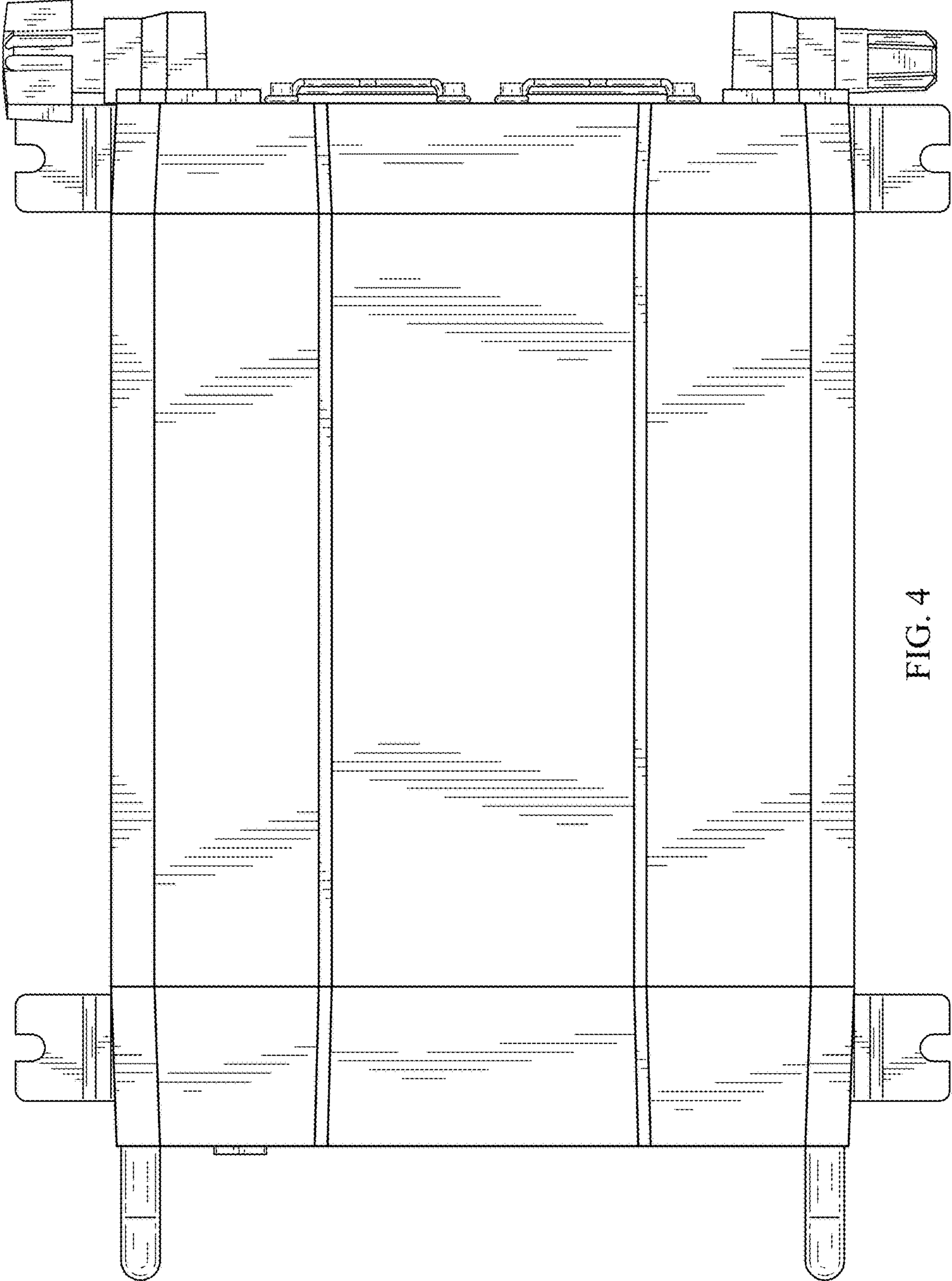


FIG. 4

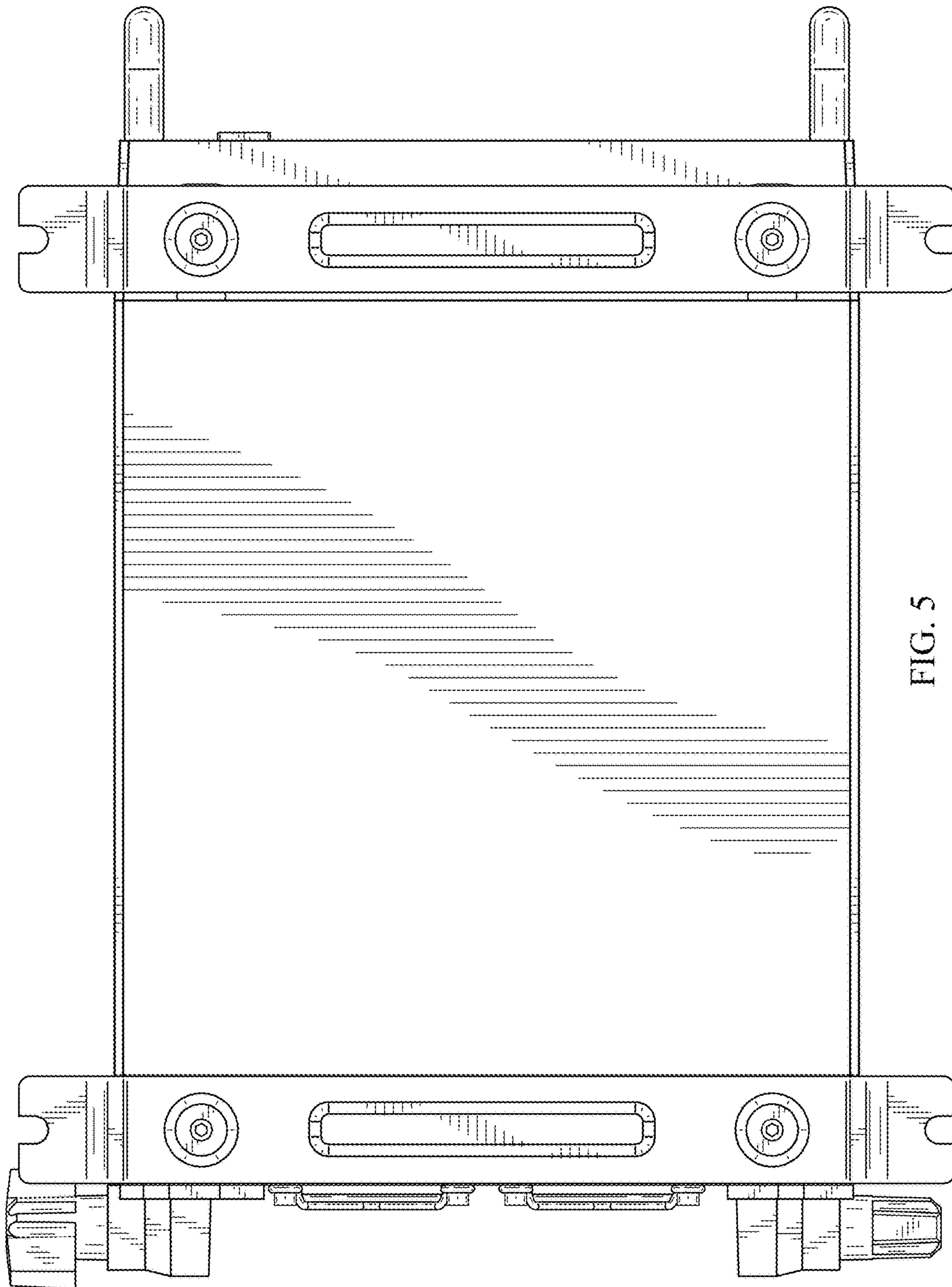


FIG. 5

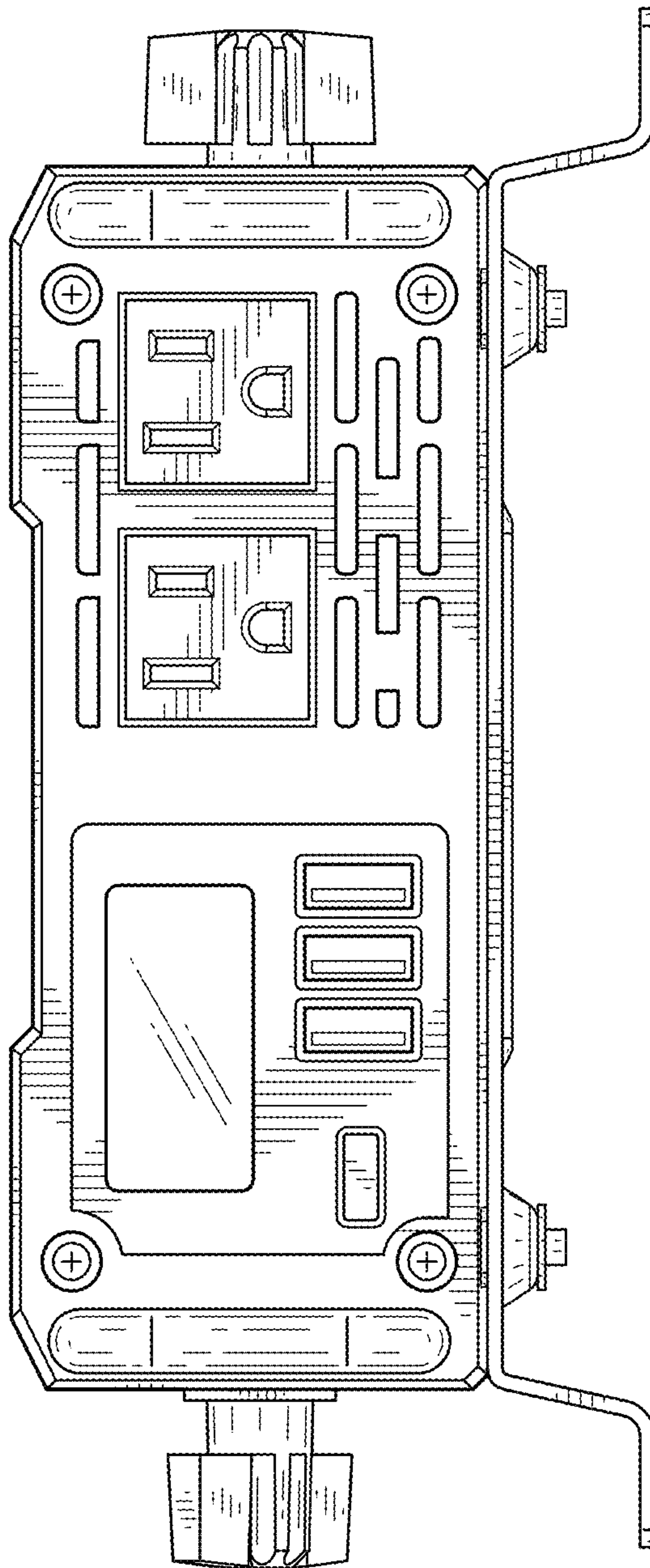


FIG. 6

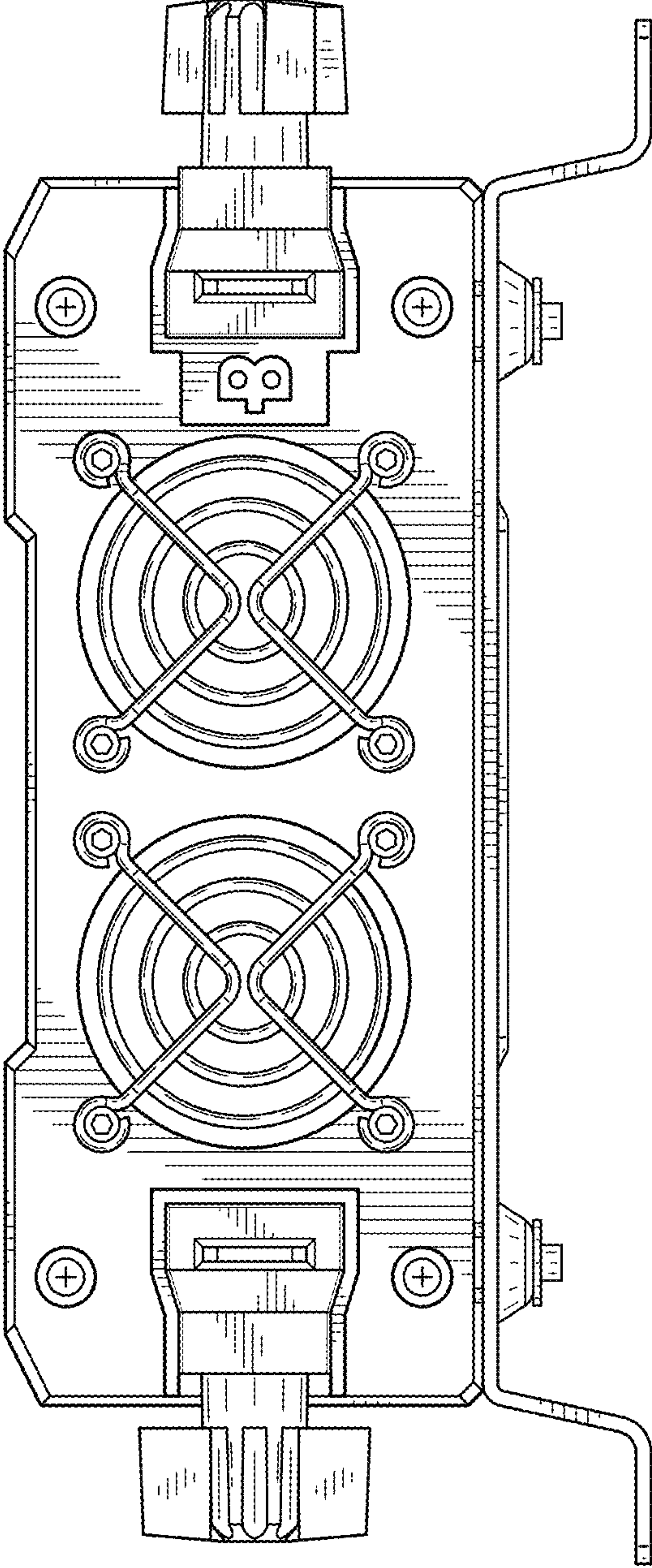


FIG. 7



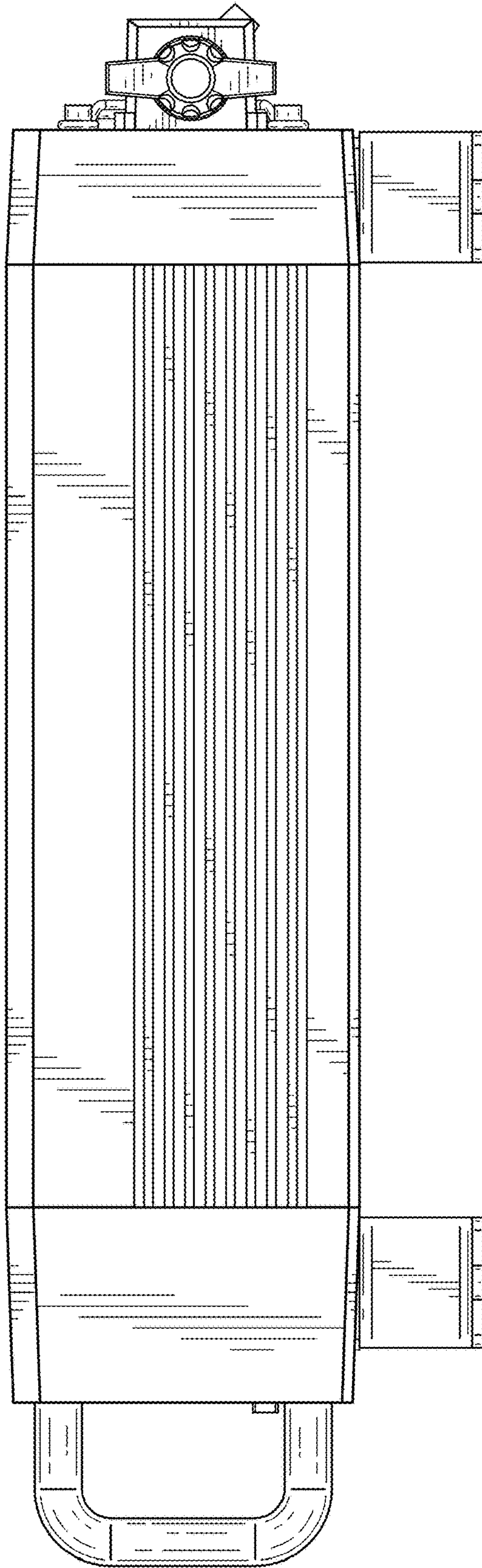


FIG. 8

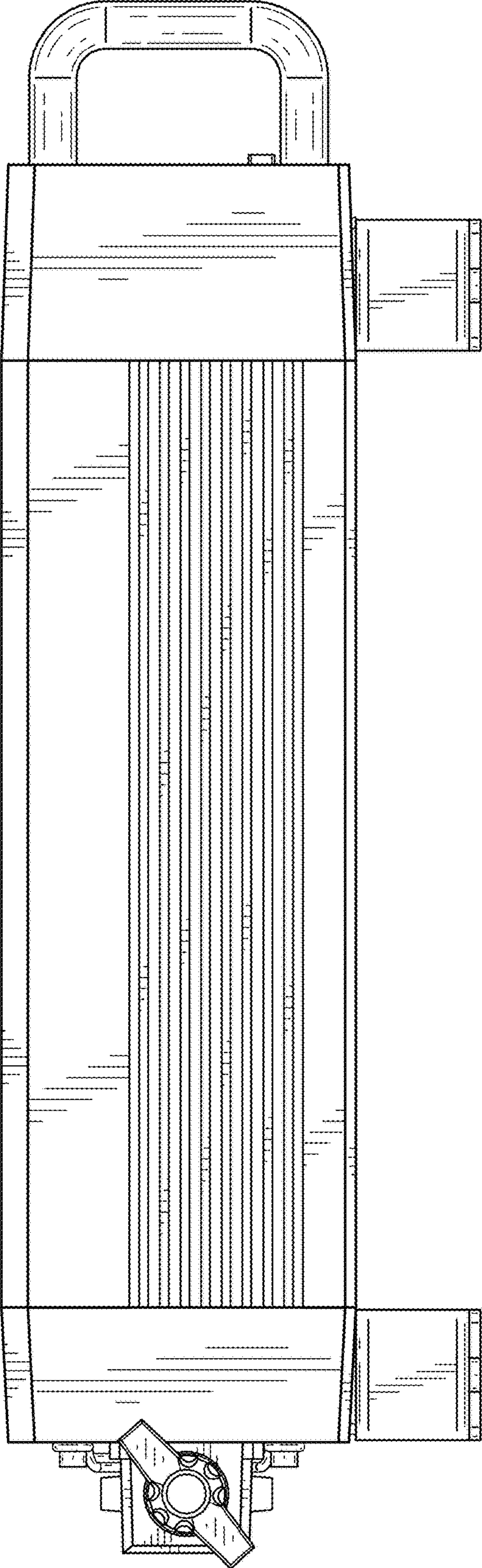


FIG. 9