



US00D829652S

(12) **United States Design Patent**  
**King et al.**

(10) **Patent No.:** **US D829,652 S**

(45) **Date of Patent:** **\*\* Oct. 2, 2018**

(54) **MOBILE DEVICE CHARGING STAND**

(71) Applicant: **LKP Technologies, LLC**, Imperial, PA (US)

(72) Inventors: **Douglas J. King**, Imperial, PA (US);  
**Michael J. Lavery**, South Park, PA (US); **Kevin L. Pinney**, Pittsburgh, PA (US)

(73) Assignee: **LKP Technologies, LLC**, Imperial, PA (US)

(\*\*) Term: **15 Years**

(21) Appl. No.: **29/597,194**

(22) Filed: **Mar. 15, 2017**

(51) **LOC (11) Cl.** ..... **13-02**

(52) **U.S. Cl.**  
USPC ..... **D13/108**

(58) **Field of Classification Search**  
USPC ..... D13/107-110, 118-119, 184; D14/251, D14/253, 432, 434

CPC ..... Y02E 60/12; Y02T 90/14; Y02T 90/122; Y02T 90/128; Y02T 90/163; H02J 7/025; H02J 7/0042; H02J 7/0044; H02J 7/0045; H02J 7/0003; H01F 38/14; H01R 13/6675; H01M 2/1022; H01M 2/1055; H01M 10/44; H01M 10/46; H01M 10/425; B60L 11/182

See application file for complete search history.

(56) **References Cited**

**U.S. PATENT DOCUMENTS**

D227,117 S 6/1973 Breger  
D275,482 S \* 9/1984 Coons ..... D13/108  
D284,005 S 5/1986 Isaacs  
D308,522 S 6/1990 Swinburne  
D360,723 S \* 7/1995 Kasai ..... D13/108

D416,914 S 11/1999 Lummis  
6,840,791 B2 \* 1/2005 Hsiu ..... H01R 13/501  
320/107  
D561,182 S \* 2/2008 Jenkins ..... D14/149  
D605,588 S 12/2009 Nomi et al.  
D607,816 S \* 1/2010 Chen ..... D13/108  
D642,519 S 8/2011 Woo et al.  
D657,741 S 4/2012 Fahrendorff et al.  
D671,543 S \* 11/2012 Sogabe ..... D14/447  
D677,669 S 4/2013 Liu  
D680,491 S 4/2013 Paschke et al.  
D682,780 S 5/2013 Brown  
D685,322 S 7/2013 Szymanski et al.  
D692,009 S \* 10/2013 Ashida ..... D14/447  
D700,888 S 3/2014 Serfoss  
D702,665 S \* 4/2014 Kim ..... D14/217  
D704,633 S 5/2014 Ryu et al.  
D707,624 S 6/2014 Morrison et al.  
D714,788 S \* 10/2014 Haller ..... D14/434  
D715,284 S 10/2014 Iwamoto  
D722,957 S 2/2015 Kotaniemi et al.  
D730,283 S 5/2015 Dorn et al.

(Continued)

*Primary Examiner* — Rosemary K Tarcza

*Assistant Examiner* — Nathaniel D. Buckner

(74) *Attorney, Agent, or Firm* — McKay & Associates, P.C.

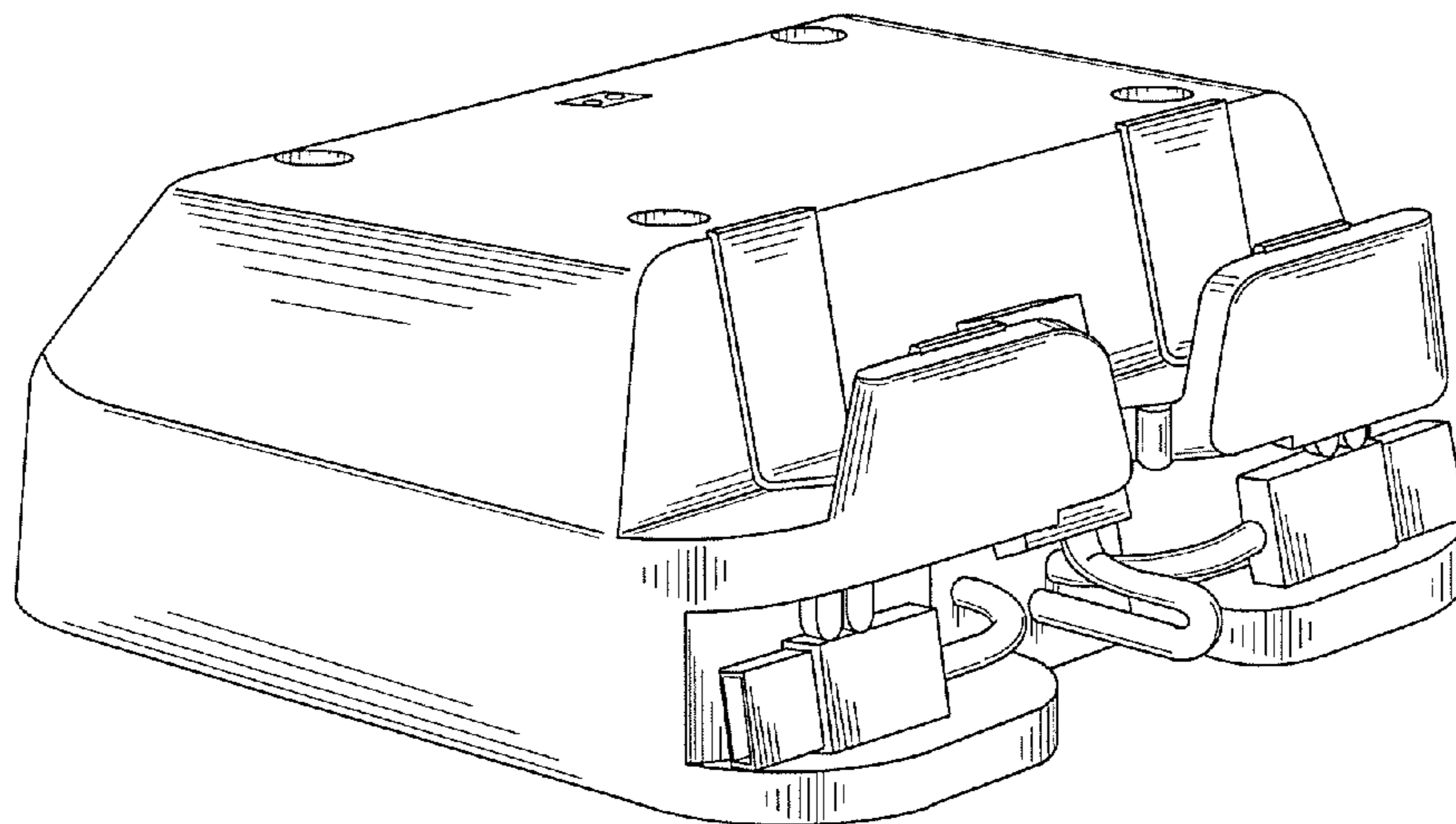
(57) **CLAIM**

The ornamental design for a mobile device charging stand, as shown and described.

**DESCRIPTION**

FIG. 1 is a perspective view of a mobile device charging stand showing our new design; FIG. 2 is a top plan view thereof; FIG. 3 is a bottom plan view thereof; FIG. 4 is a rear elevation view thereof; FIG. 5 is a front elevation view thereof; FIG. 6 is a left side view thereof; and, FIG. 7 is a right side view thereof.

**1 Claim, 5 Drawing Sheets**



(56)

**References Cited**

U.S. PATENT DOCUMENTS

D730,888 S *	6/2015	Malsan .....	D14/253
D754,135 S *	4/2016	Cromack .....	D14/447
D769,186 S *	10/2016	Yang .....	D13/108
D797,669 S *	9/2017	Chang .....	D13/108

\* cited by examiner

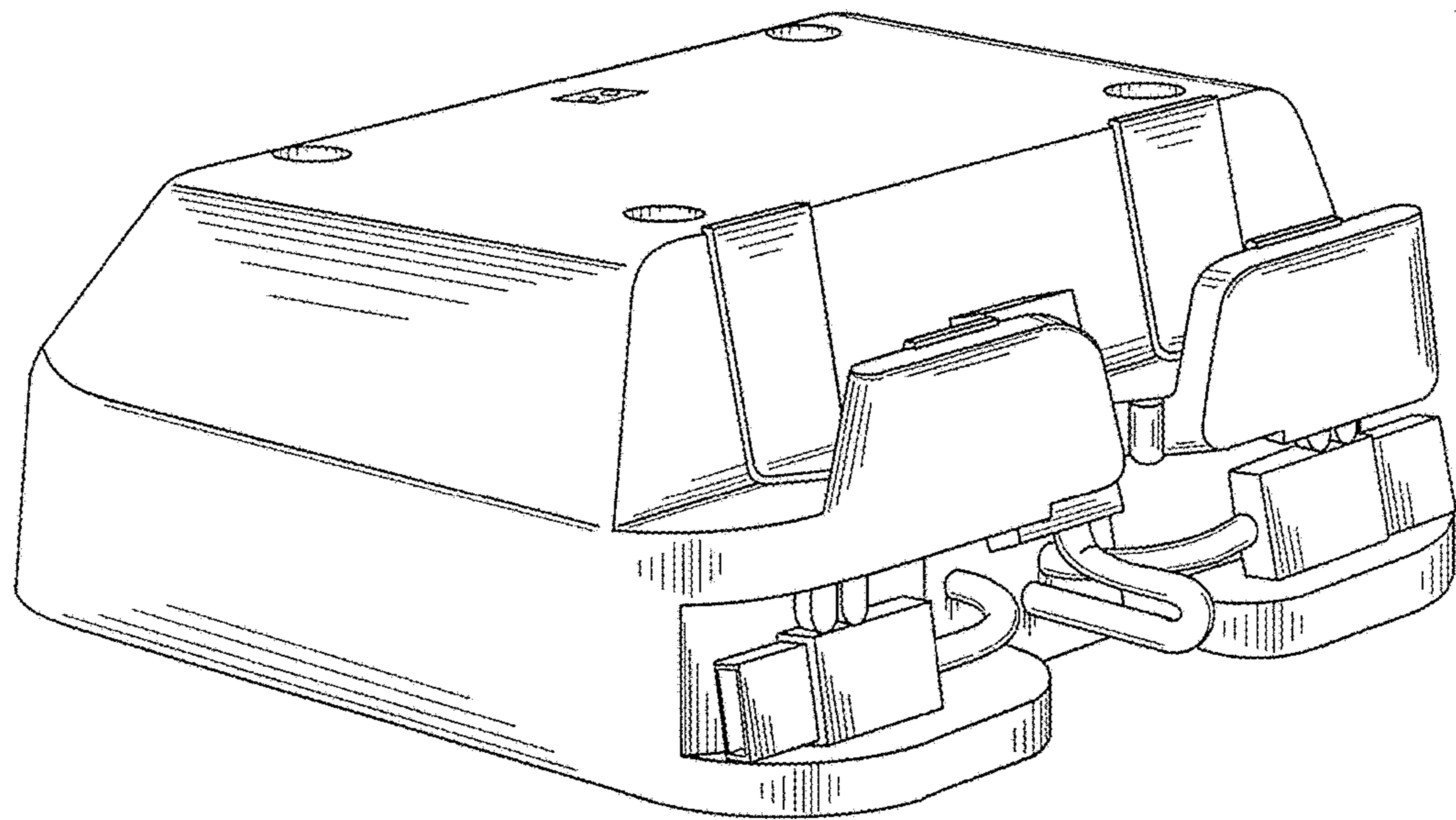


FIG. 1

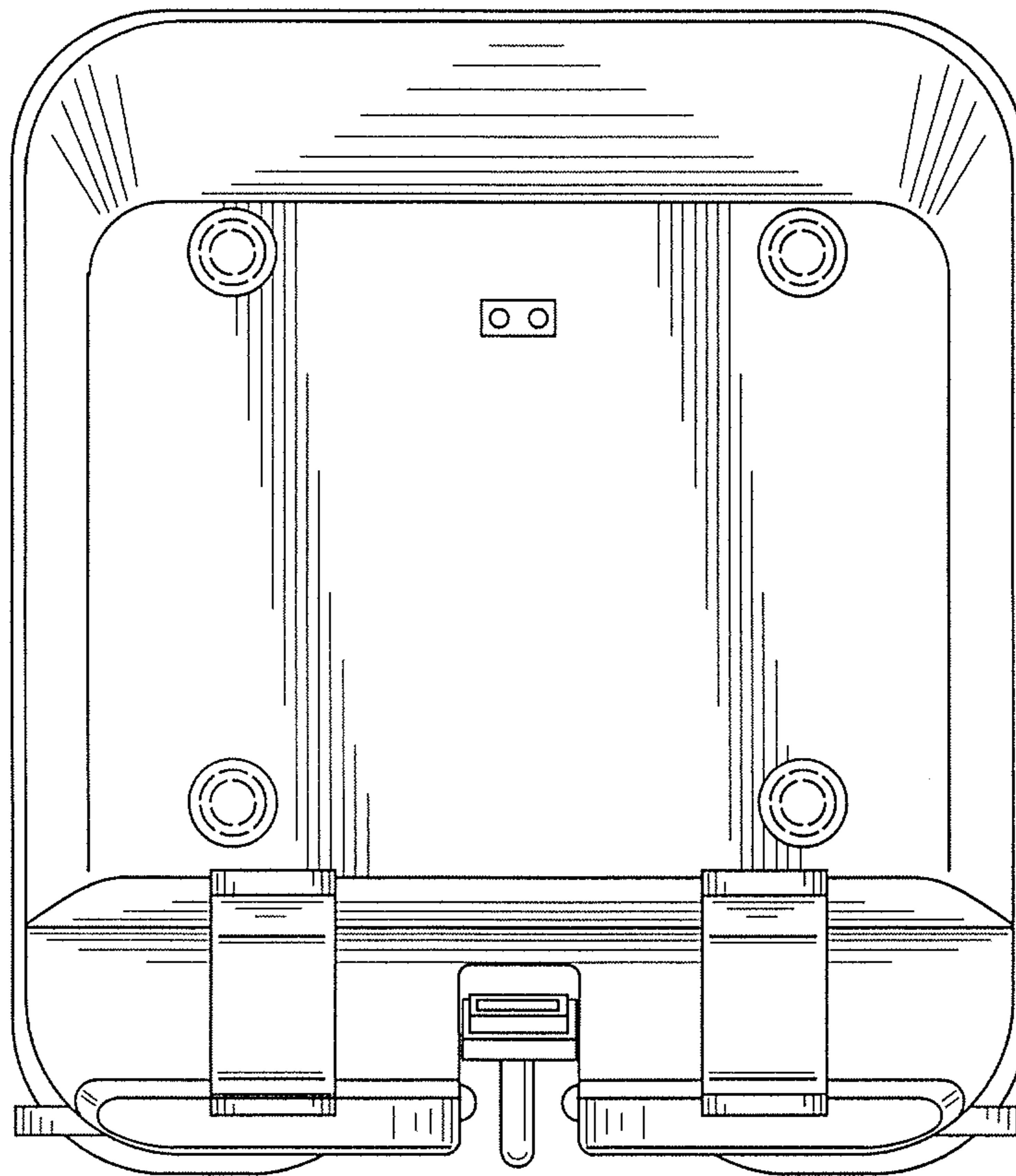


FIG. 2

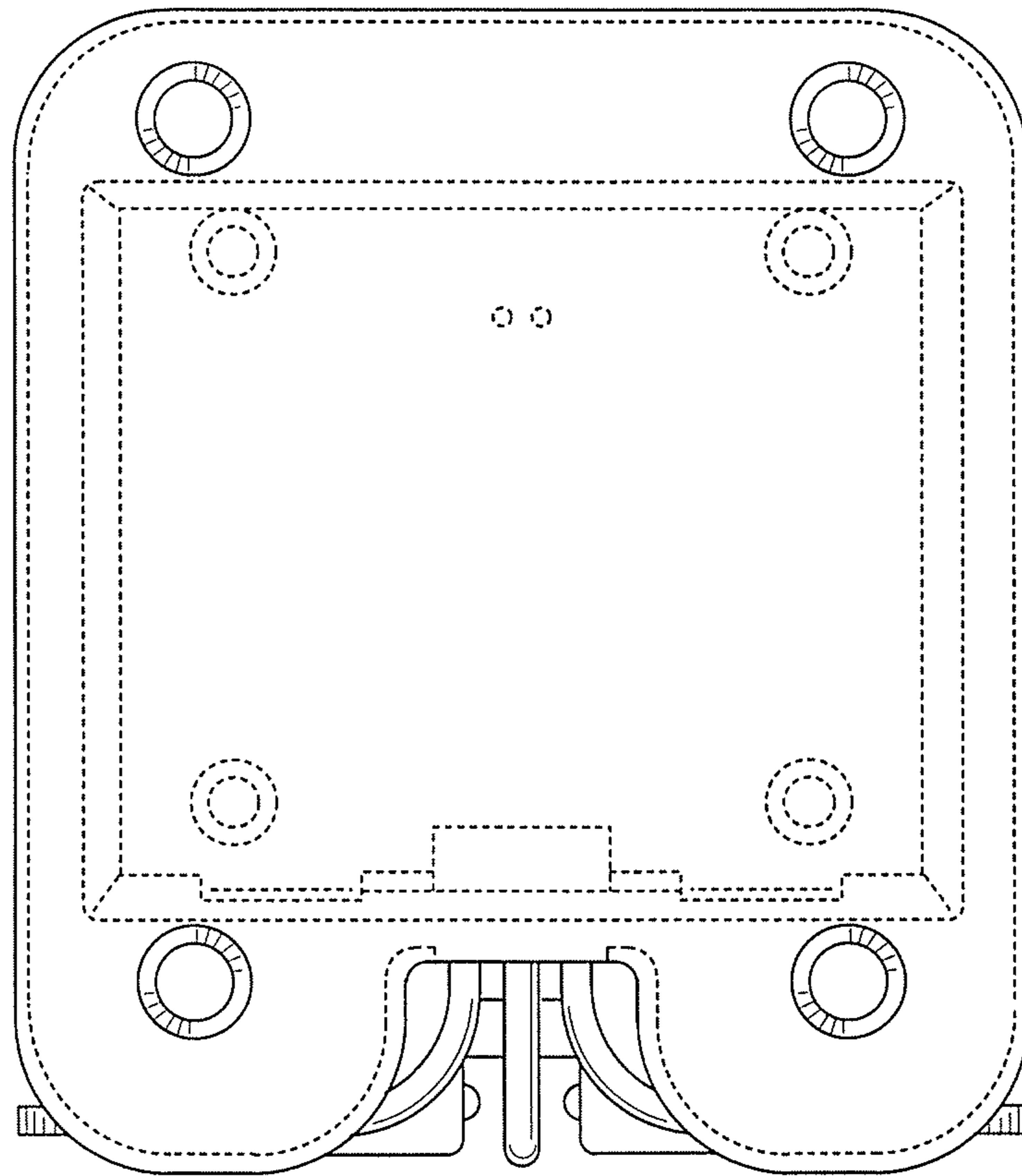


FIG. 3

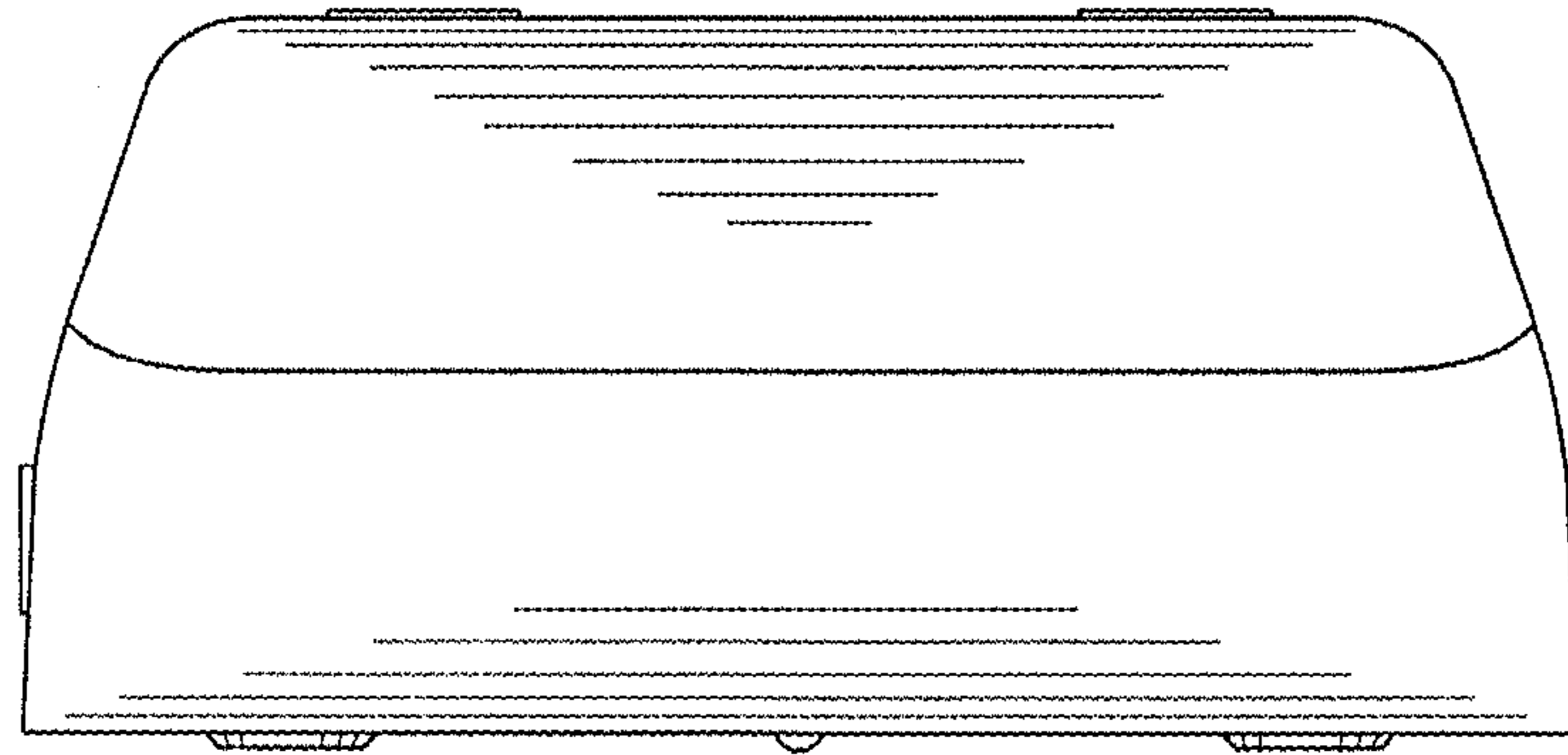


FIG. 4

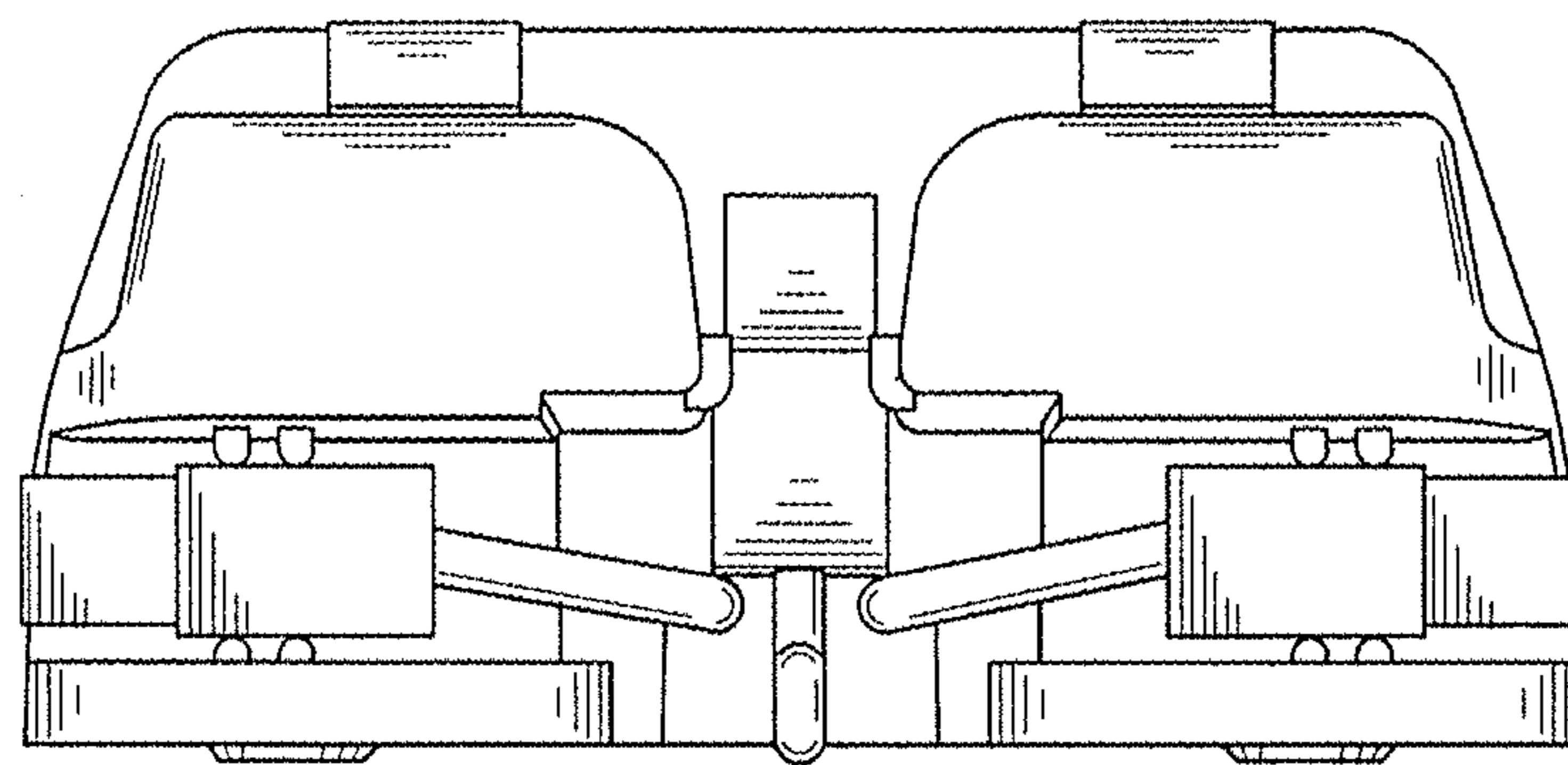


FIG. 5

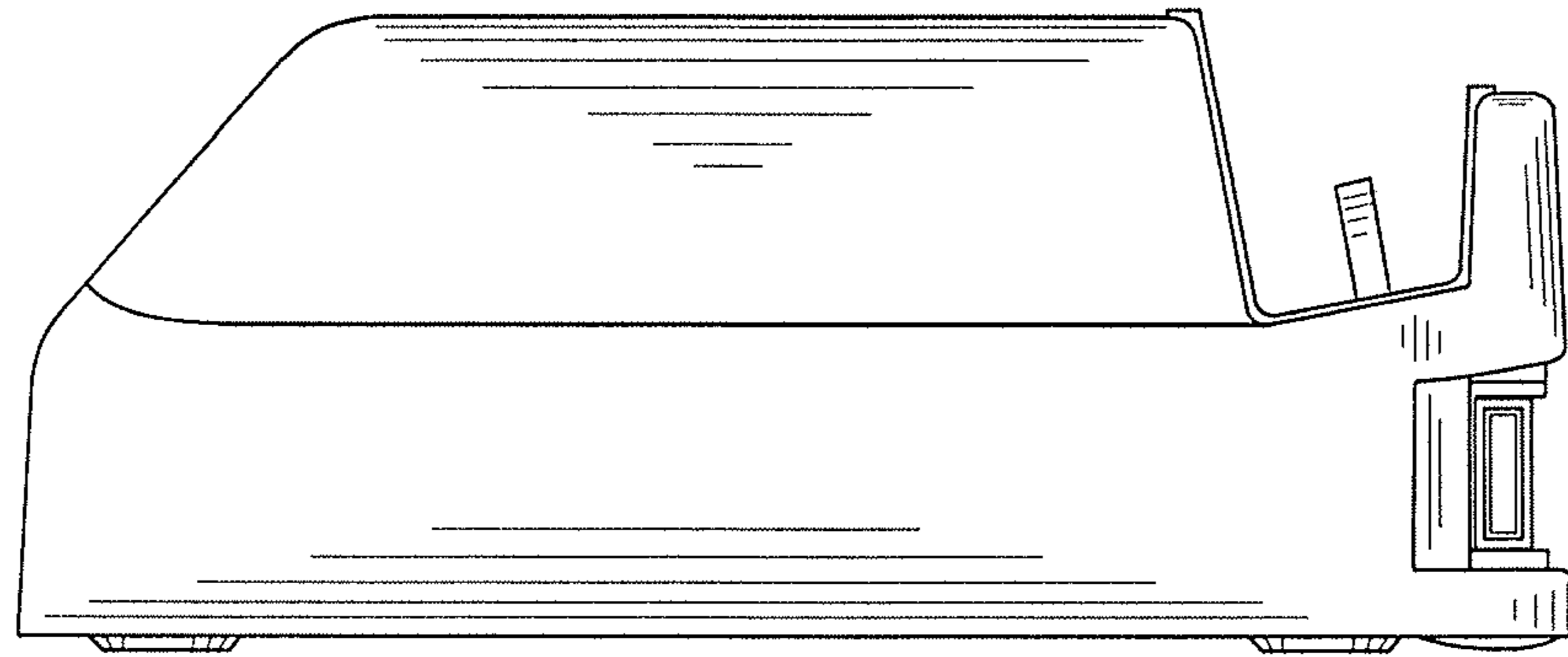


FIG. 6

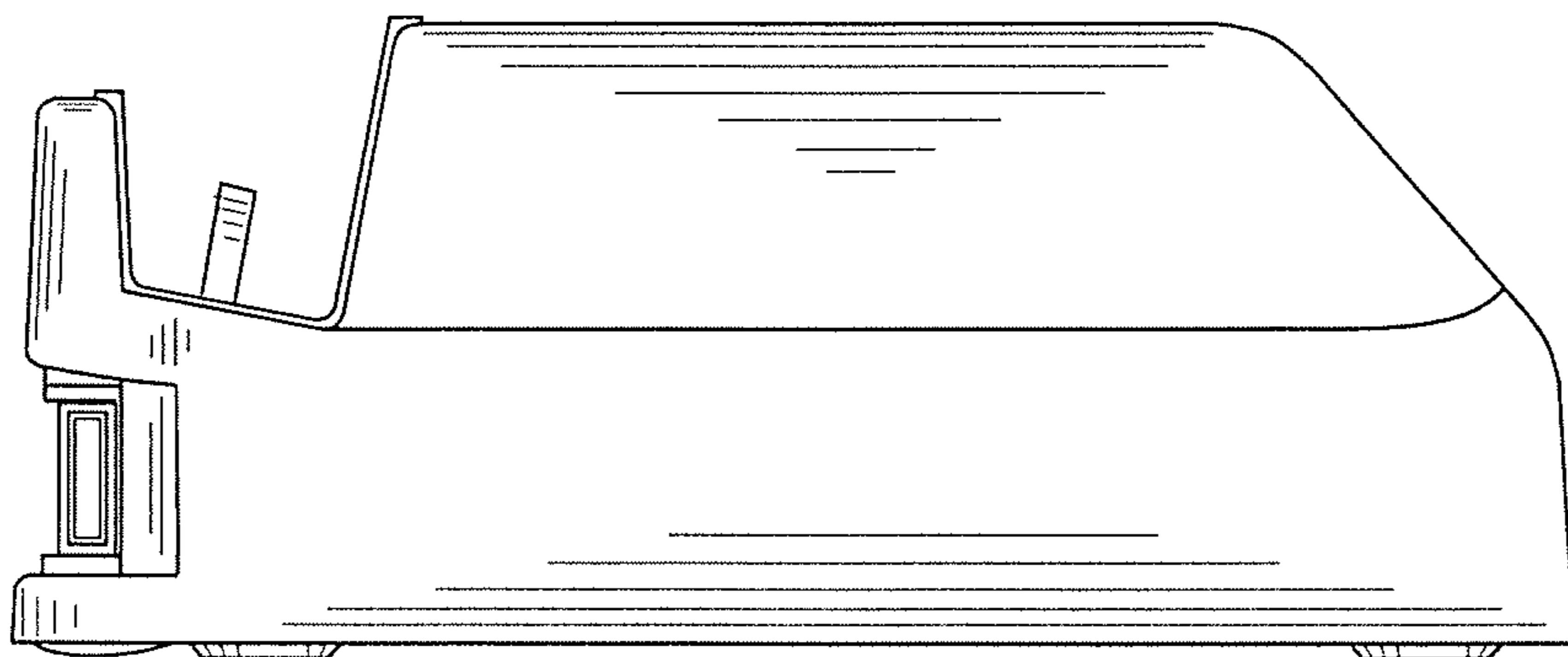


FIG. 7