

US00D829651S

(12) **United States Design Patent** (10) **Patent No.:** **US D829,651 S**
Warren (45) **Date of Patent:** **** Oct. 2, 2018**

(54) **MECHANICAL CHARGING DEVICE**
(71) Applicant: **William J Warren**, Frisco, TX (US)
(72) Inventor: **William J Warren**, Frisco, TX (US)
(**) Term: **15 Years**
(21) Appl. No.: **29/596,562**
(22) Filed: **Mar. 9, 2017**
(51) **LOC (11) Cl.** **13-02**
(52) **U.S. Cl.**
USPC **D13/108**
(58) **Field of Classification Search**
USPC D13/107-110, 118-119, 184; D14/251,
D14/253, 432, 434
CPC Y02E 60/12; Y02T 90/14; Y02T 90/122;
Y02T 90/128; Y02T 90/163; H02J 7/025;
H02J 7/0042; H02J 7/0044; H02J 7/0045;
H02J 7/0003; H01F 38/14; H01R
13/6675; H01M 2/1022; H01M 2/1055;
H01M 10/44; H01M 10/46; H01M
10/425; B60L 11/182
See application file for complete search history.

(56) **References Cited**
U.S. PATENT DOCUMENTS
D573,866 S * 7/2008 Smith D8/107
D617,863 S * 6/2010 Moody D22/108
D676,380 S * 2/2013 Sun D13/108
D680,941 S * 4/2013 Deppen D12/215
D723,457 S * 3/2015 Sorias D13/107

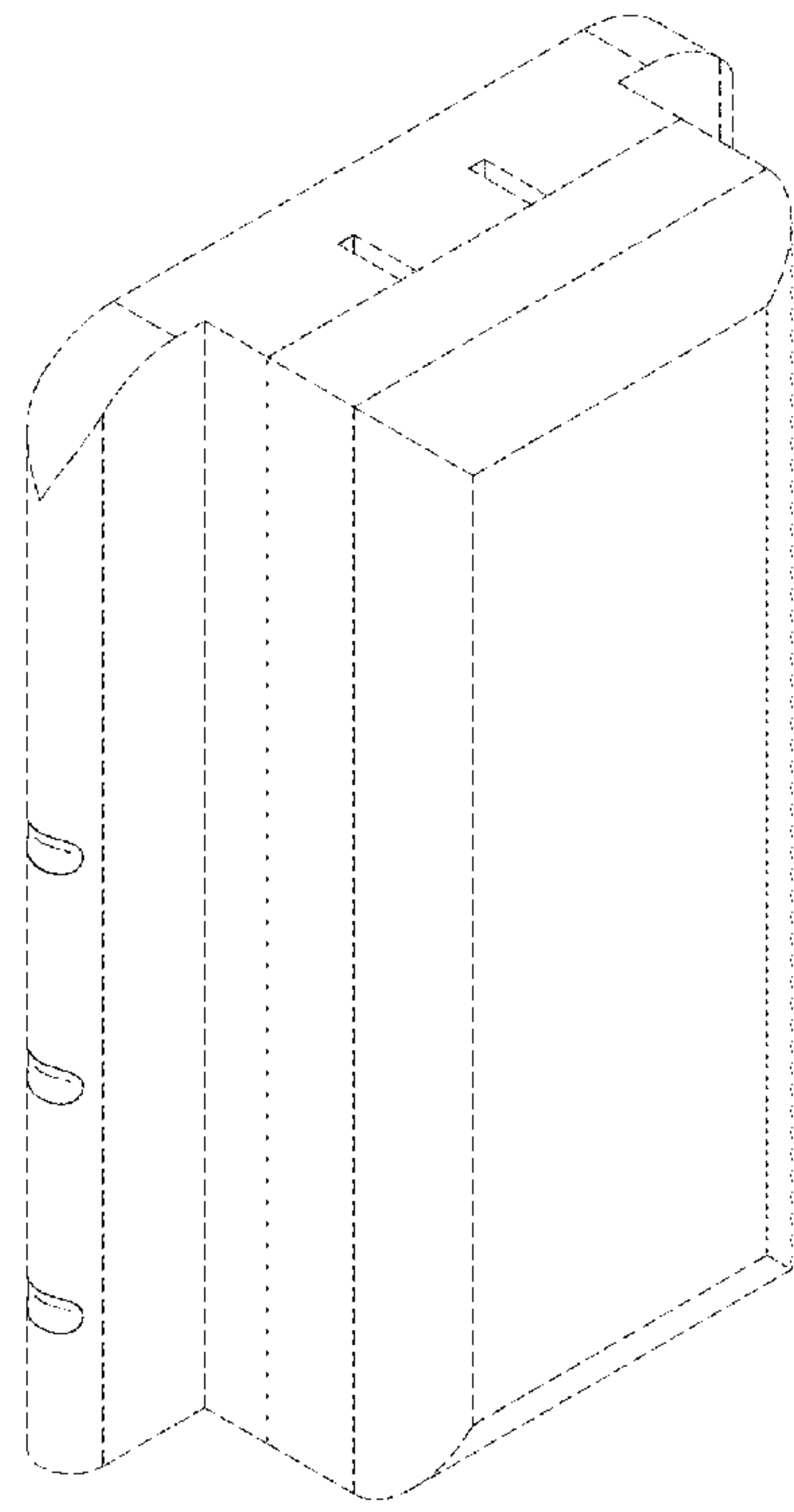
D745,628 S * 12/2015 Barfoot D22/108
D762,169 S * 7/2016 Lei D13/108
D778,706 S * 2/2017 Atkins D8/303
D783,526 S * 4/2017 Warren D13/108
D813,339 S * 3/2018 Maroney D22/108
D813,658 S * 3/2018 Wright D8/395
D814,264 S * 4/2018 Werdowatz D8/303
2016/0380457 A1 * 12/2016 Criss H02J 7/0045
320/107

* cited by examiner
Primary Examiner — Rosemary K Tarcza
Assistant Examiner — Nathaniel D. Buckner
(74) *Attorney, Agent, or Firm* — Carr & Ferrell LLP

(57) **CLAIM**
The ornamental design for a mechanical charging device, as shown and described.

DESCRIPTION
FIG. 1 is a top perspective view of a mechanical charging device showing my new design;
FIG. 2 is a front elevation view thereof;
FIG. 3 is a rear elevation view thereof;
FIG. 4 is a right side elevation view thereof;
FIG. 5 is a left side elevation view thereof;
FIG. 6 is a bottom plan view thereof;
FIG. 7 is a top plan view thereof;
FIG. 8 is a top rear perspective view thereof;
FIG. 9 is a top rear perspective view shown in an environment of use; and,
FIG. 10 is a second top rear perspective view shown in an environment of use.

1 Claim, 8 Drawing Sheets



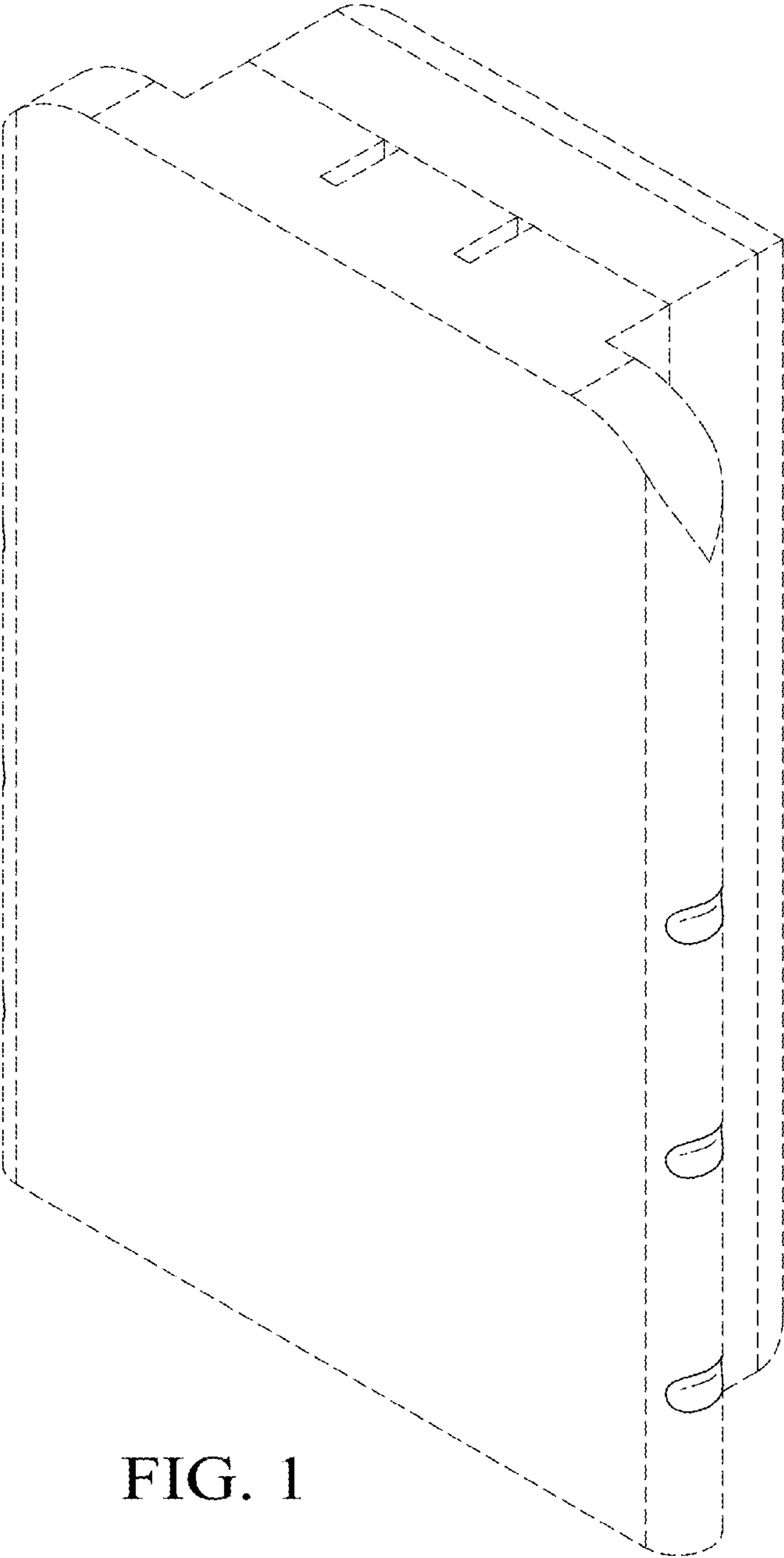


FIG. 1

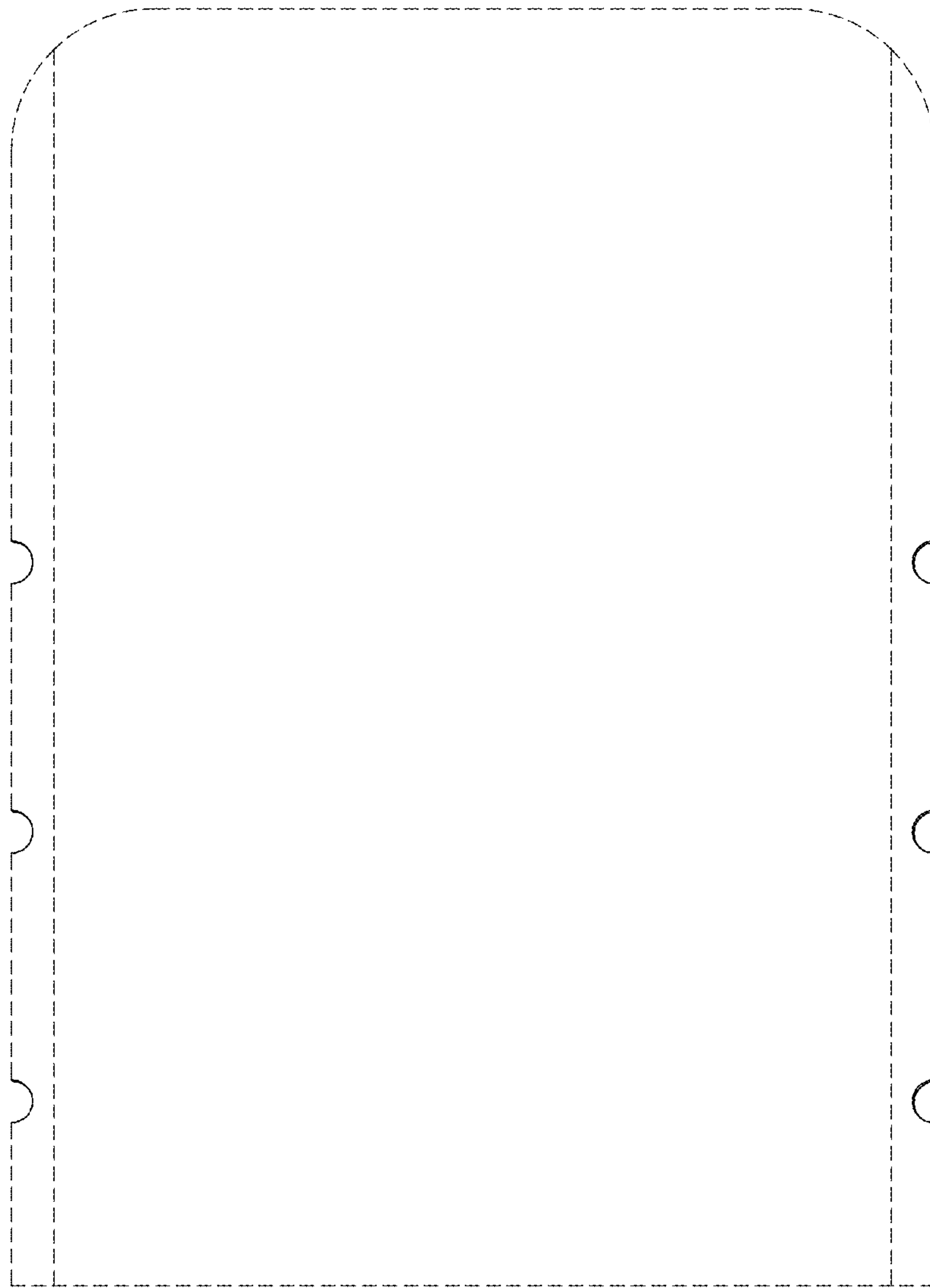


FIG. 2

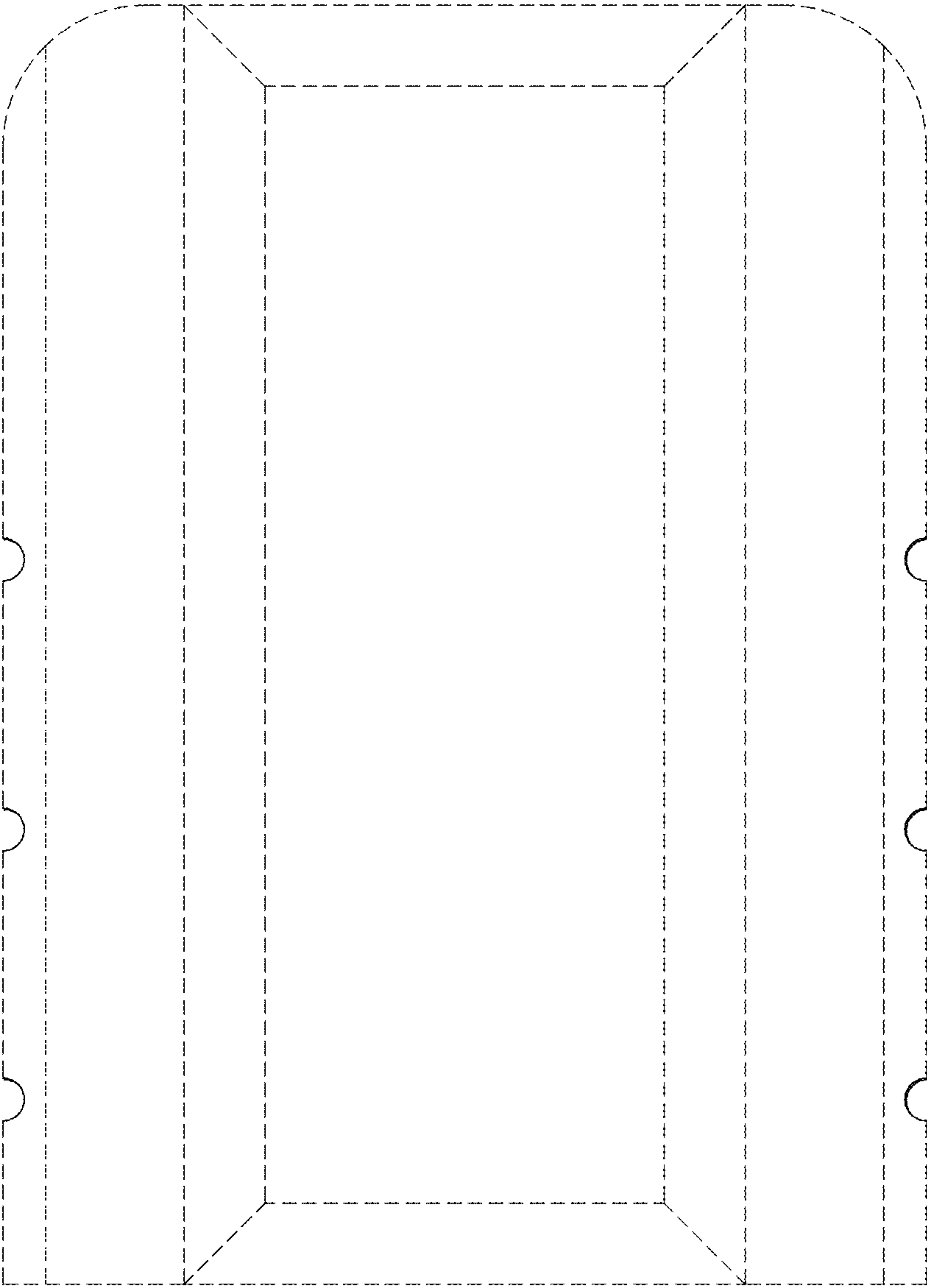


FIG. 3

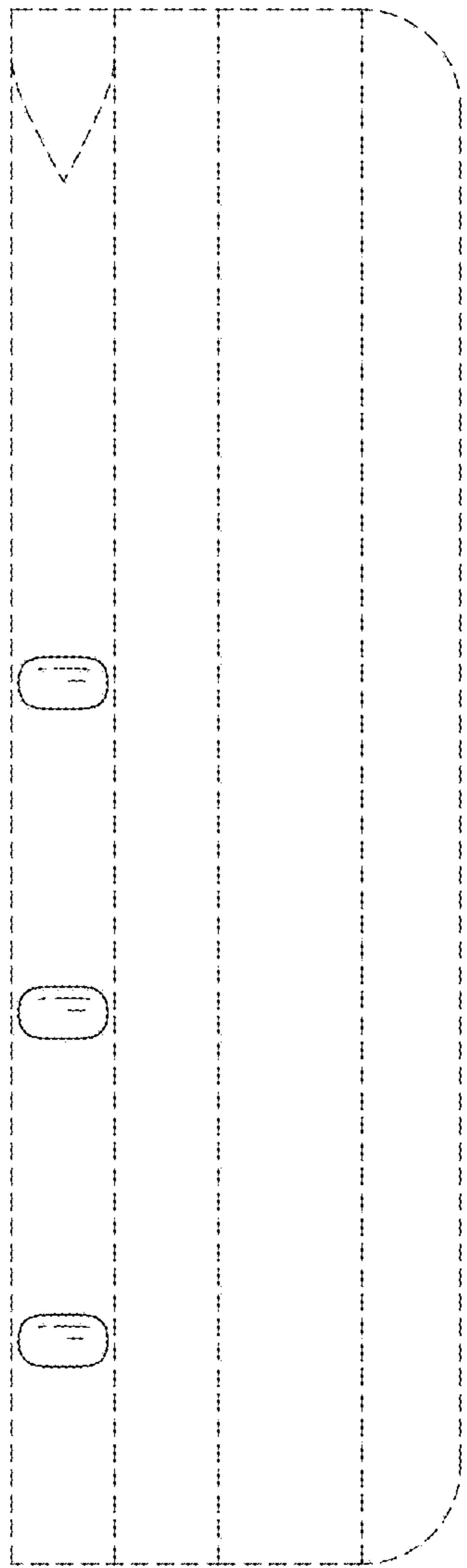


FIG. 4

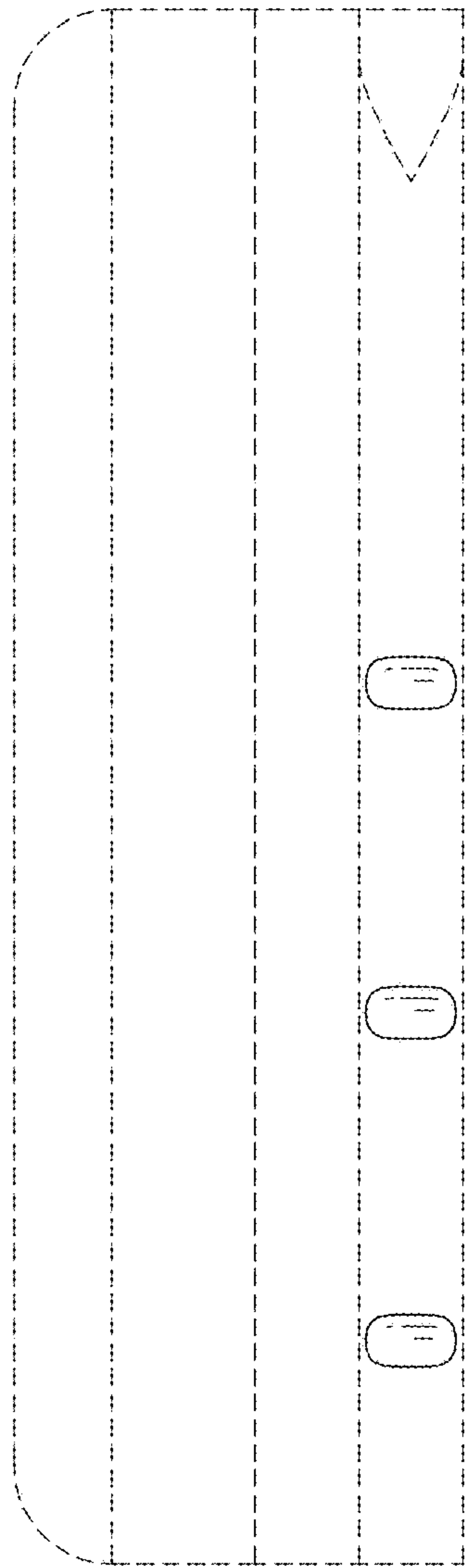


FIG. 5

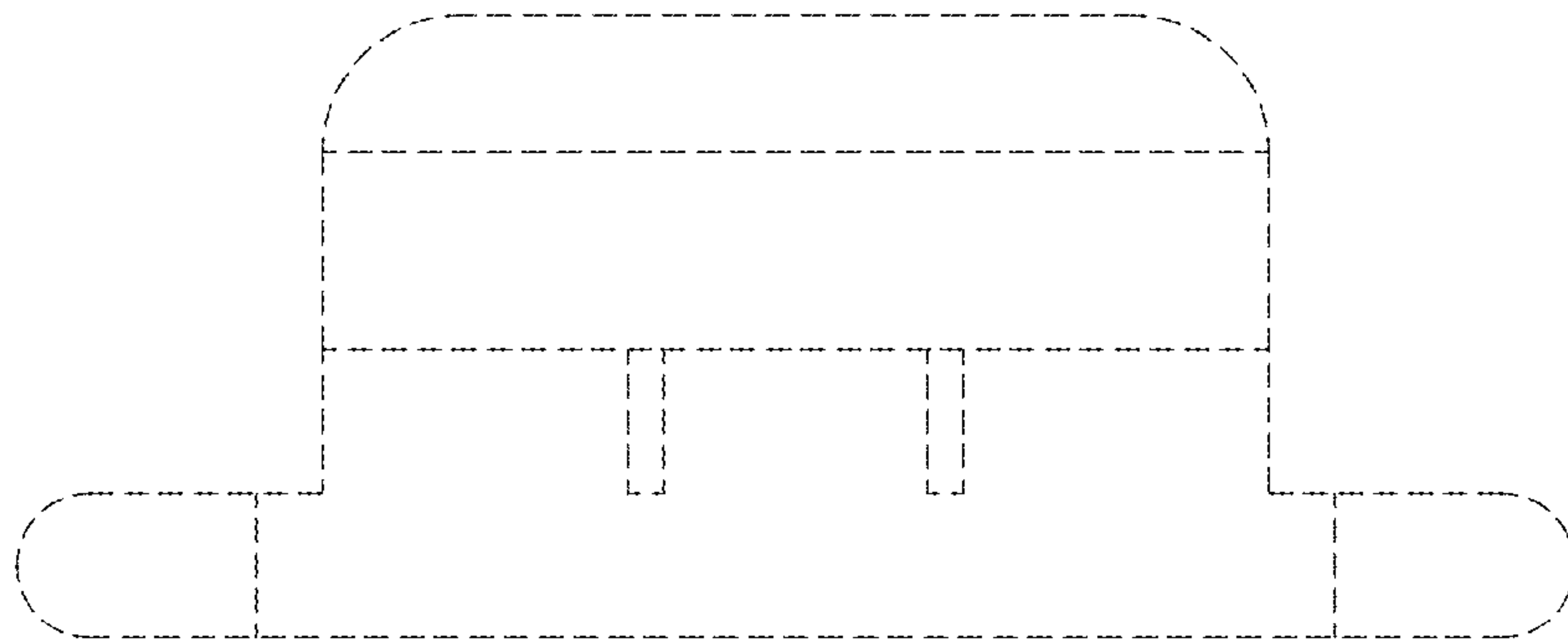


FIG. 6

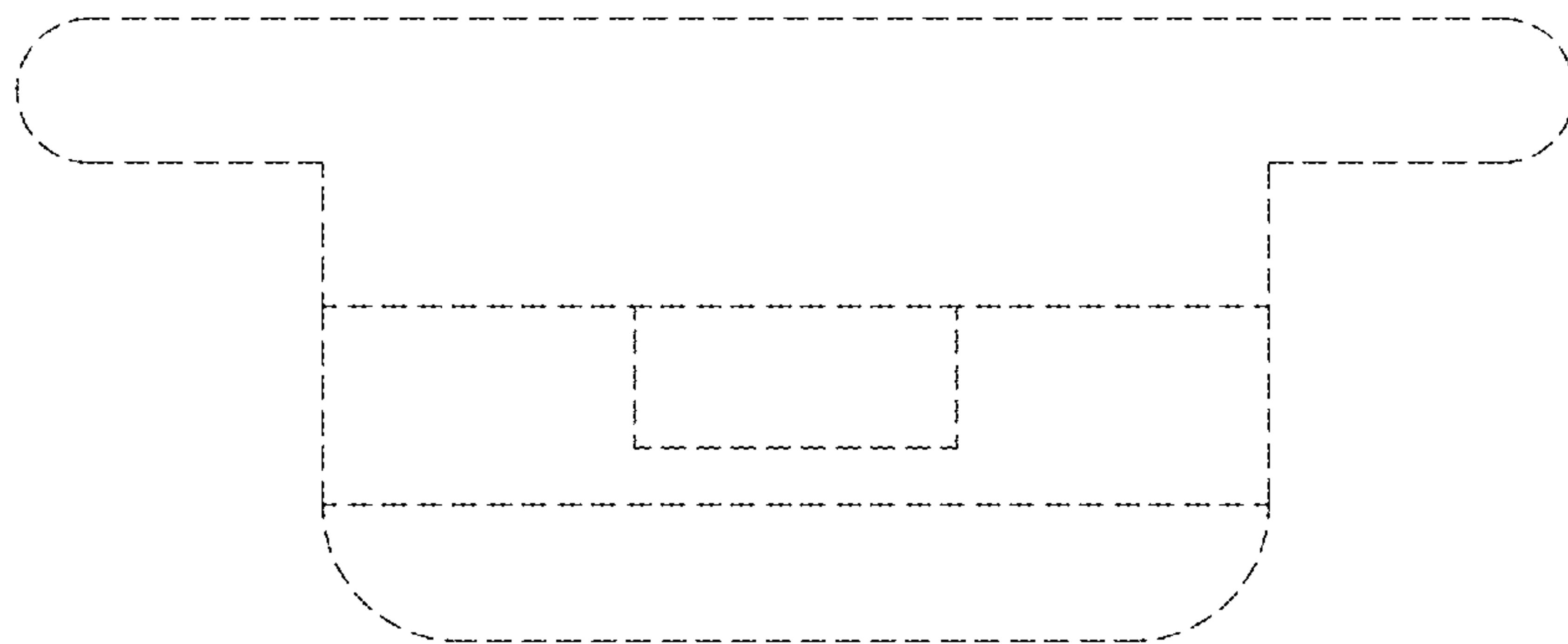


FIG. 7

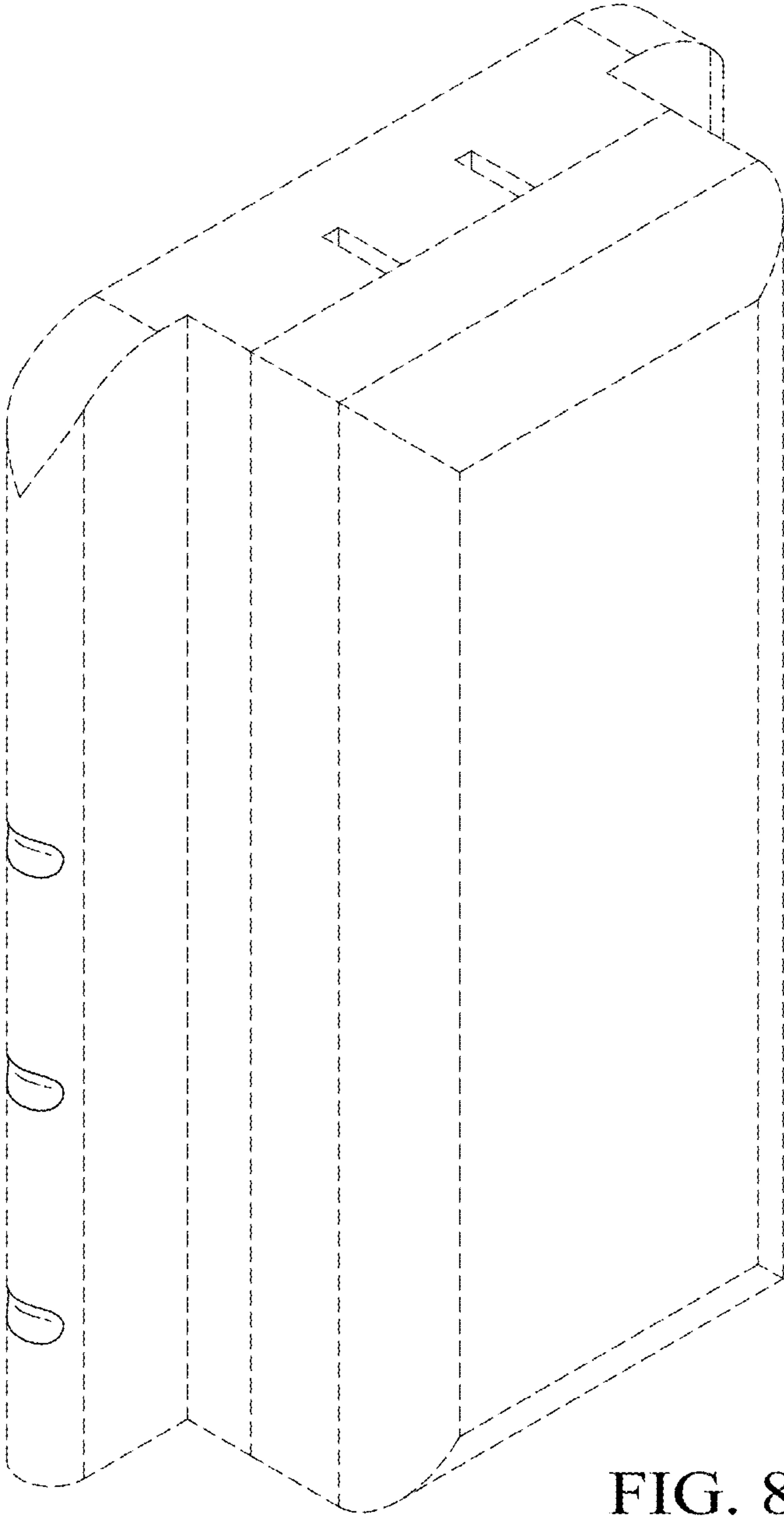


FIG. 8

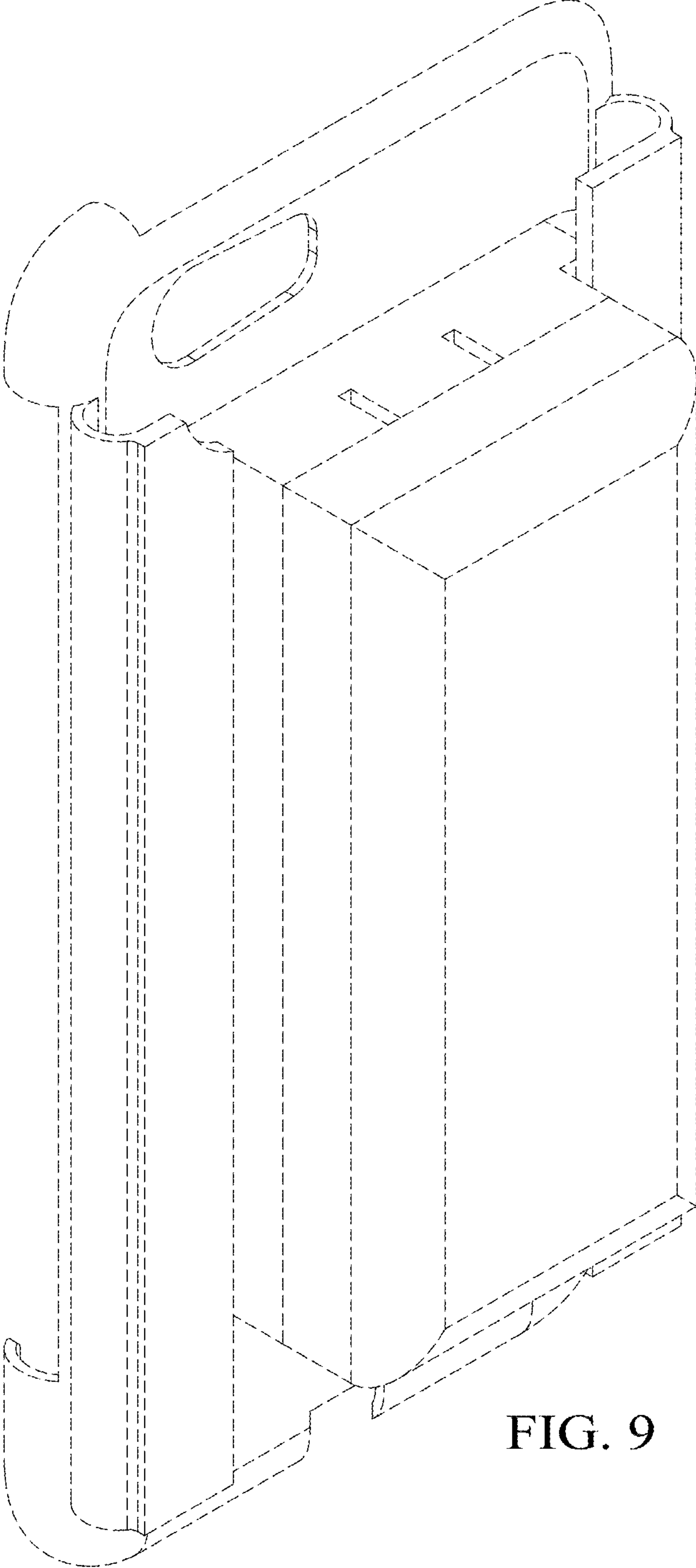


FIG. 9

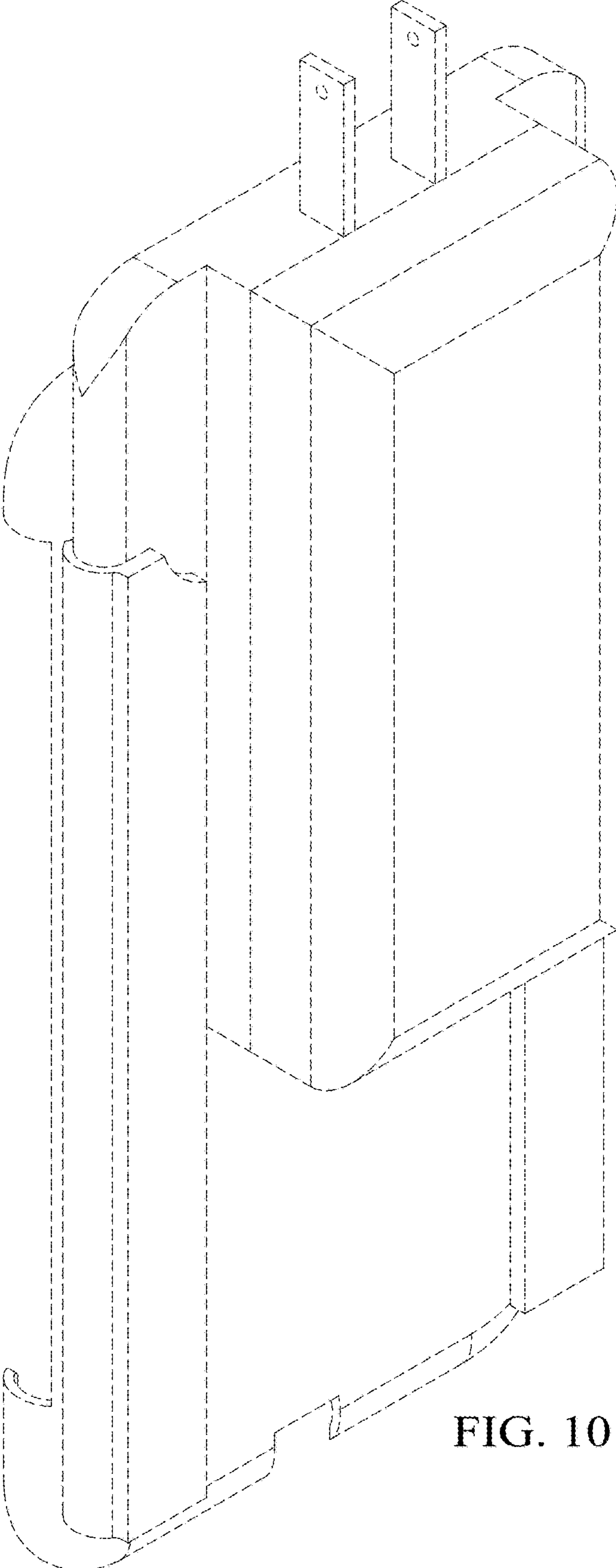


FIG. 10