



US00D829650S

(12) **United States Design Patent** (10) **Patent No.:** **US D829,650 S**
Buller (45) **Date of Patent:** **** Oct. 2, 2018**

(54) **CHARGING STAND**

(71) Applicant: **Jonathan Blake Buller**, Temecula, CA (US)

(72) Inventor: **Jonathan Blake Buller**, Temecula, CA (US)

(**) Term: **15 Years**

(21) Appl. No.: **29/584,637**

(22) Filed: **Nov. 16, 2016**

(51) **LOC (11) Cl.** **13-02**

(52) **U.S. Cl.**
USPC **D13/108**

(58) **Field of Classification Search**
USPC D13/107-110, 118-119, 184; D14/251, D14/253, 432, 434
CPC Y02E 60/12; Y02T 90/14; Y02T 90/122; Y02T 90/128; Y02T 90/163; H02J 7/025; H02J 7/0042; H02J 7/0044; H02J 7/0045; H02J 7/0003; H01F 38/14; H01R 13/6675; H01M 2/1022; H01M 2/1055; H01M 10/44; H01M 10/46; H01M 10/425; B60L 11/182
See application file for complete search history.

(56) **References Cited**

U.S. PATENT DOCUMENTS

| | | |
|------------|---------|--------------|
| D252,899 S | 9/1979 | Campbell |
| D273,165 S | 3/1984 | Sternberg |
| D278,102 S | 3/1985 | Wagner, Jr. |
| D281,657 S | 12/1985 | Roczey |
| D287,365 S | 12/1986 | Judd |
| D316,347 S | 4/1991 | Getto |
| D320,027 S | 8/1991 | Mintz et al. |
| D330,147 S | 10/1992 | Garber |
| D332,360 S | 1/1993 | Golds |
| D337,762 S | 7/1993 | Crane |
| D338,453 S | 8/1993 | Martin |

| | | | |
|--------------|---------|--------------------|---------|
| D351,147 S | 10/1994 | Hill | |
| D361,452 S | 8/1995 | Neylon | |
| D363,619 S | 10/1995 | Kamaze | |
| D368,605 S | 4/1996 | Lechleiter | |
| D371,220 S | 6/1996 | Behrens | |
| D391,098 S | 2/1998 | Northrop | |
| D411,824 S | 7/1999 | Wilson, Sr. et al. | |
| D435,253 S | 12/2000 | Oden, II et al. | |
| D468,305 S | 1/2003 | Ma et al. | |
| D469,073 S | 1/2003 | Muenschler et al. | |
| D475,011 S * | 5/2003 | Kataoka | D13/108 |
| D489,412 S | 4/2004 | Hsu | |
| D501,191 S | 1/2005 | Siebke | |
| D501,617 S | 2/2005 | Katz | |
| D502,913 S | 3/2005 | Fukami et al. | |

(Continued)

Primary Examiner — Rosemary K Tarcza
Assistant Examiner — Nathaniel D. Buckner
(74) *Attorney, Agent, or Firm* — Kirk A. Buhler; Buhler & Associates

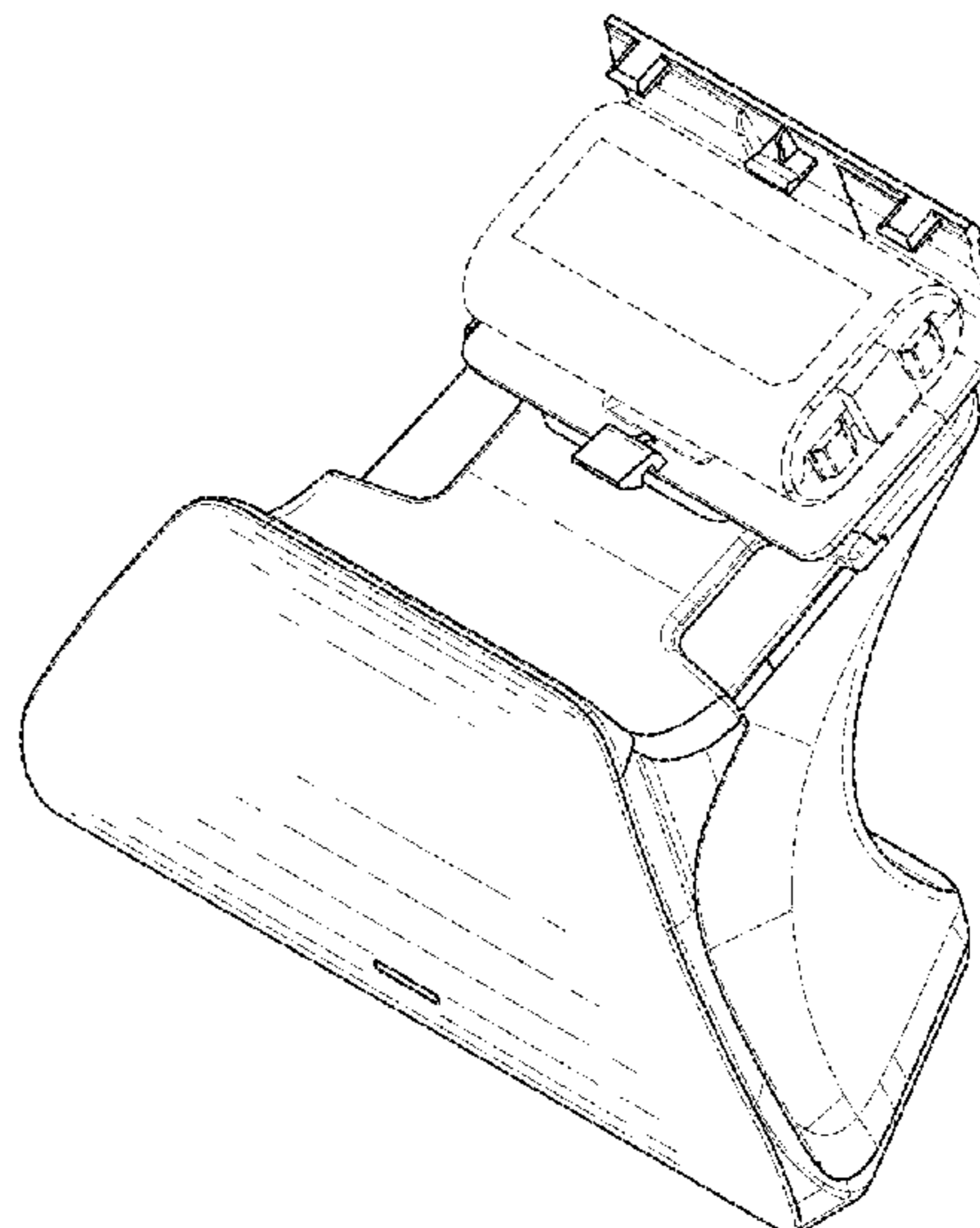
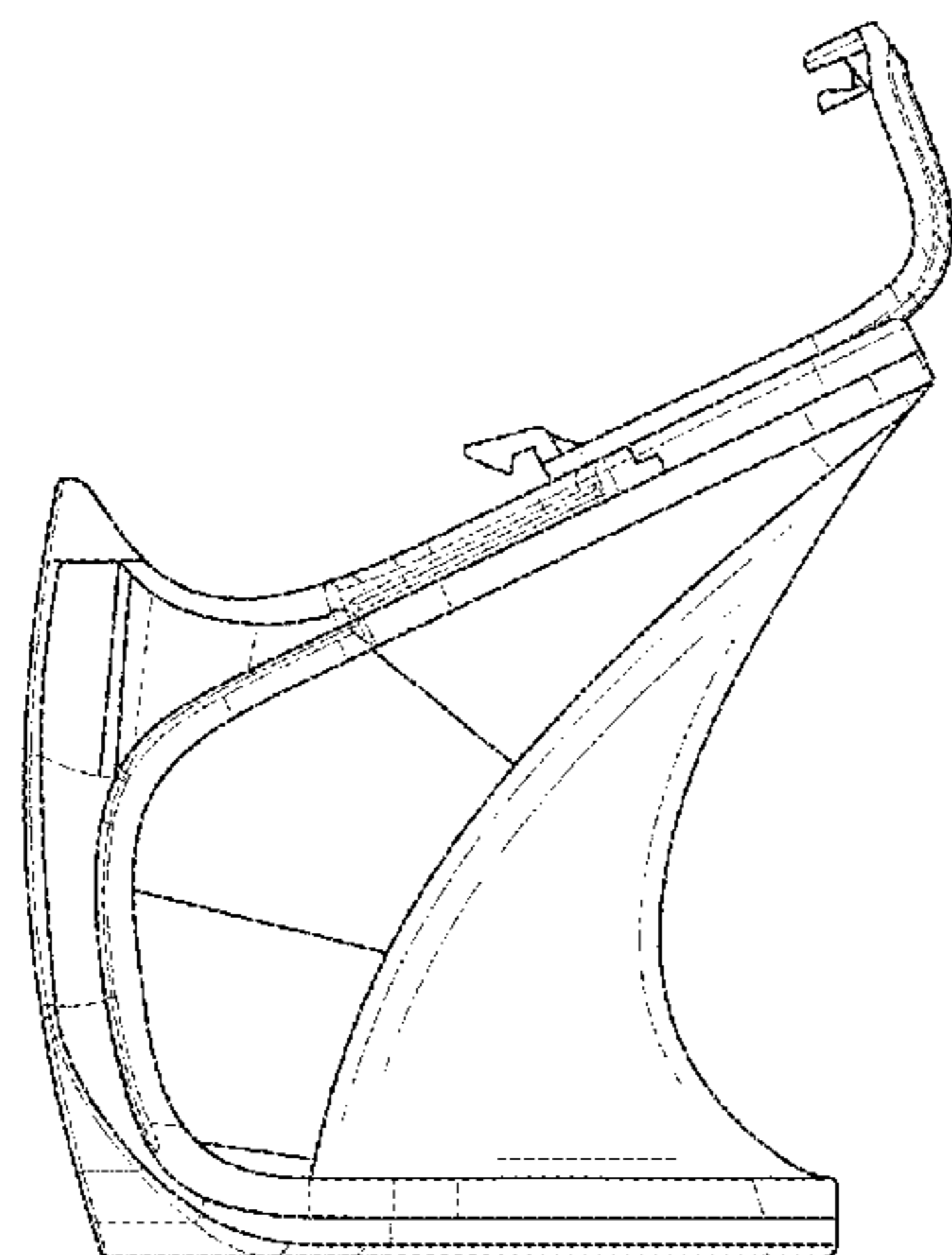
(57) **CLAIM**

The ornamental design for a charging stand, as shown and described.

DESCRIPTION

FIG. 1 is a top perspective view for a charging stand showing my new design;
FIG. 2 is a front view thereof;
FIG. 3 is a back view thereof;
FIG. 4 is a left side view thereof;
FIG. 5 is a right side view thereof;
FIG. 6 is a top view thereof;
FIG. 7 is a bottom view thereof;
FIG. 8 is a rear perspective view; and,
FIG. 9 is a front perspective view shown an environment of use.
The broken lines shown in the figures depict environmental subject matter or portions of the article and form no part of the claimed design.

1 Claim, 5 Drawing Sheets



(56)

References Cited

U.S. PATENT DOCUMENTS

D510,208 S 10/2005 Klimas
 D523,809 S 6/2006 Roth et al.
 D529,440 S 10/2006 Lodato et al.
 D532,746 S 11/2006 Meyers et al.
 D540,802 S 4/2007 Hussaini et al.
 D545,319 S 6/2007 Griffin
 D549,707 S 8/2007 Depay
 D555,589 S 11/2007 Hussaini et al.
 D568,809 S 5/2008 Izumo
 D574,375 S 8/2008 Prest et al.
 D585,897 S * 2/2009 Carnevali D14/434
 7,625,286 B2 12/2009 Hamada
 7,697,963 B1 4/2010 Pomery
 D615,491 S 5/2010 Emminger
 7,772,802 B2 8/2010 Manico et al.
 D626,558 S 11/2010 Julien
 D634,708 S 3/2011 Cowan et al.
 D636,395 S 4/2011 Anderson et al.
 7,942,747 B2 4/2011 Cole
 D641,022 S 7/2011 Dodo et al.
 D647,525 S 10/2011 Seto
 D647,881 S 11/2011 Warner
 8,054,295 B2 11/2011 Henty

D652,795 S 1/2012 Attanasio
 D666,025 S 8/2012 Cobbett et al.
 D674,381 S 1/2013 Ma
 D675,212 S * 1/2013 Chen D14/447
 D675,323 S 1/2013 Spainhower
 D678,281 S 3/2013 Yung
 D704,271 S 5/2014 Huang et al.
 D706,561 S 6/2014 Buller
 D714,576 S 10/2014 Buller
 D730,888 S * 6/2015 Malsan D14/253
 D742,885 S * 11/2015 Chen D14/434
 D750,020 S * 2/2016 Song D13/108
 D765,449 S * 9/2016 Buller D6/682.3
 D771,635 S * 11/2016 Kuo D14/434
 D780,762 S * 3/2017 Ju D14/434
 D781,784 S * 3/2017 Dingle D13/108
 D782,975 S * 4/2017 Chen D13/108
 D801,893 S * 11/2017 Simoens D12/174
 2002/0132651 A1 9/2002 Jinnouchi
 2007/0124778 A1 5/2007 Bennett et al.
 2007/0207862 A1 9/2007 Calhoun
 2008/0153594 A1 6/2008 Zheng
 2009/0072784 A1 3/2009 Erickson
 2009/0213081 A1 8/2009 Case, Jr.
 2009/0325717 A1 12/2009 Lee-Him
 2010/0234099 A1 9/2010 Rasmussen et al.

* cited by examiner

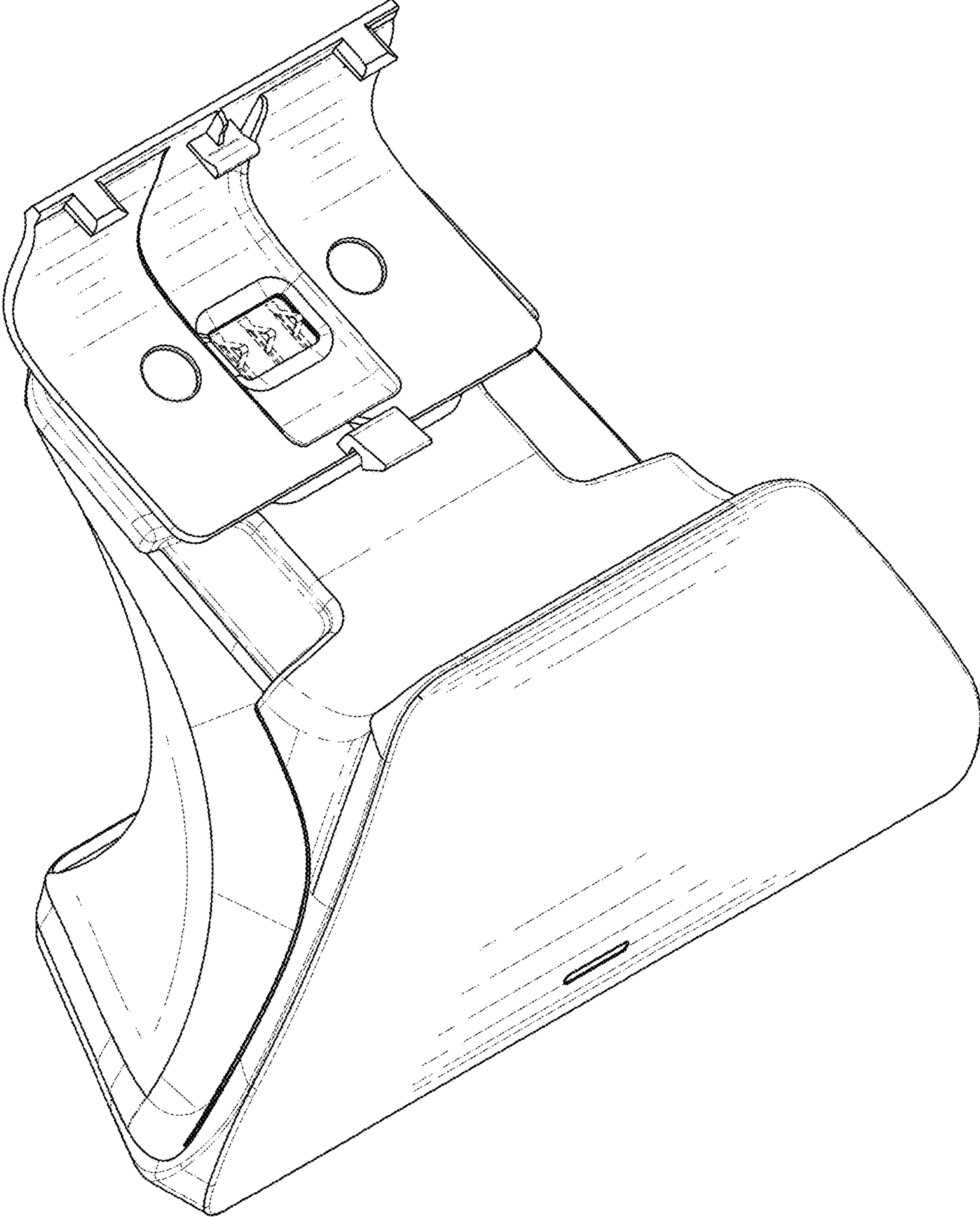


FIG. 1

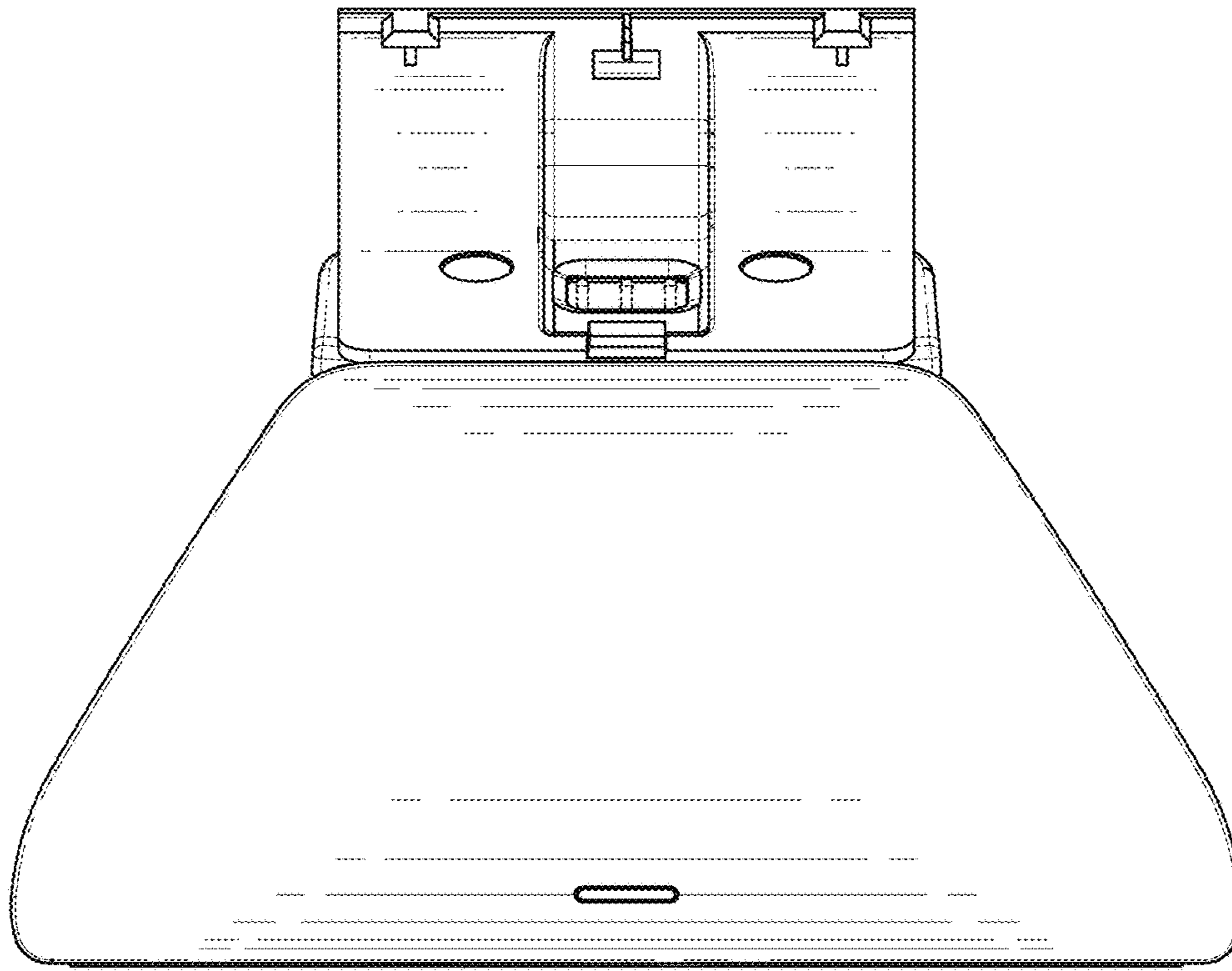


FIG. 2

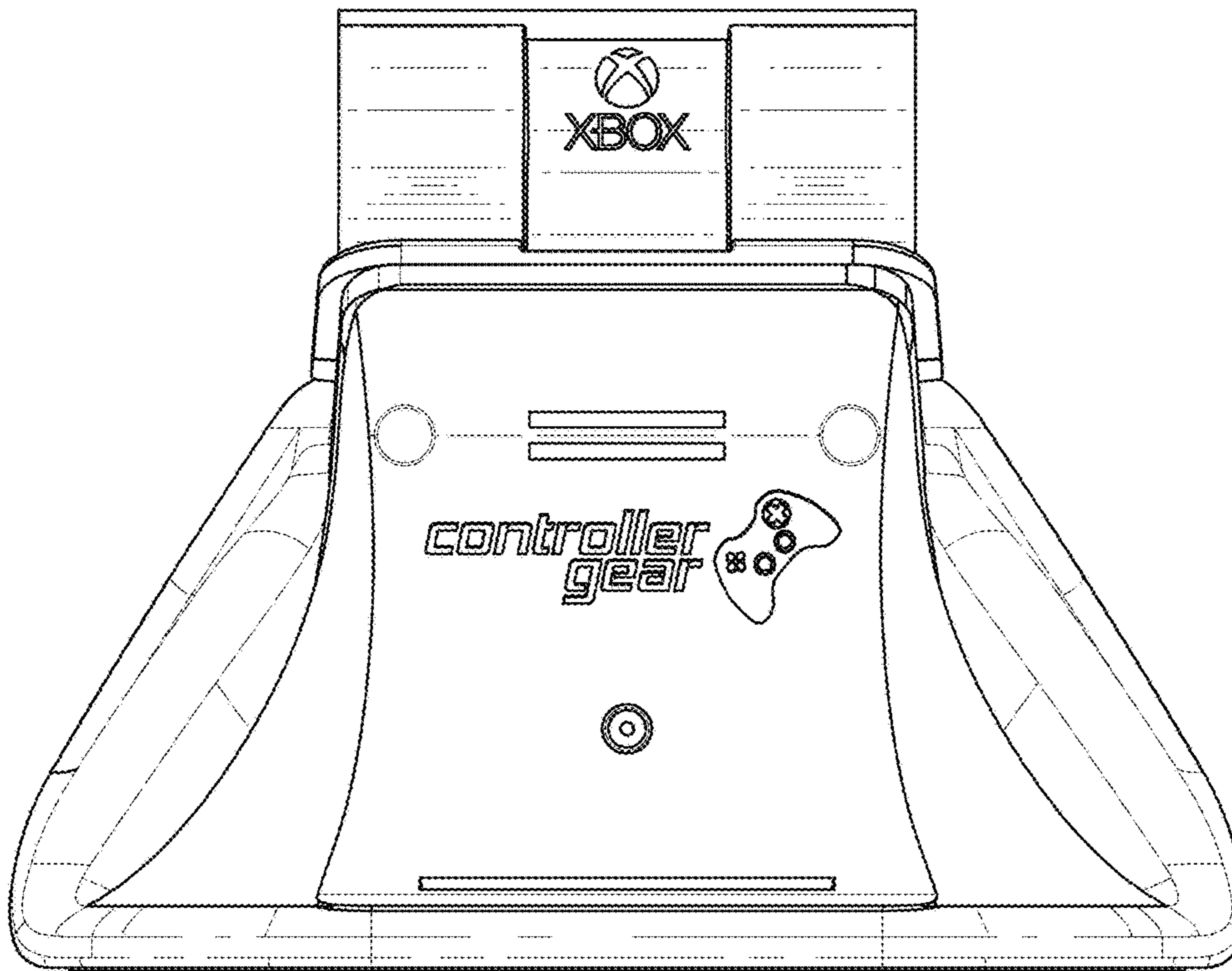


FIG. 3

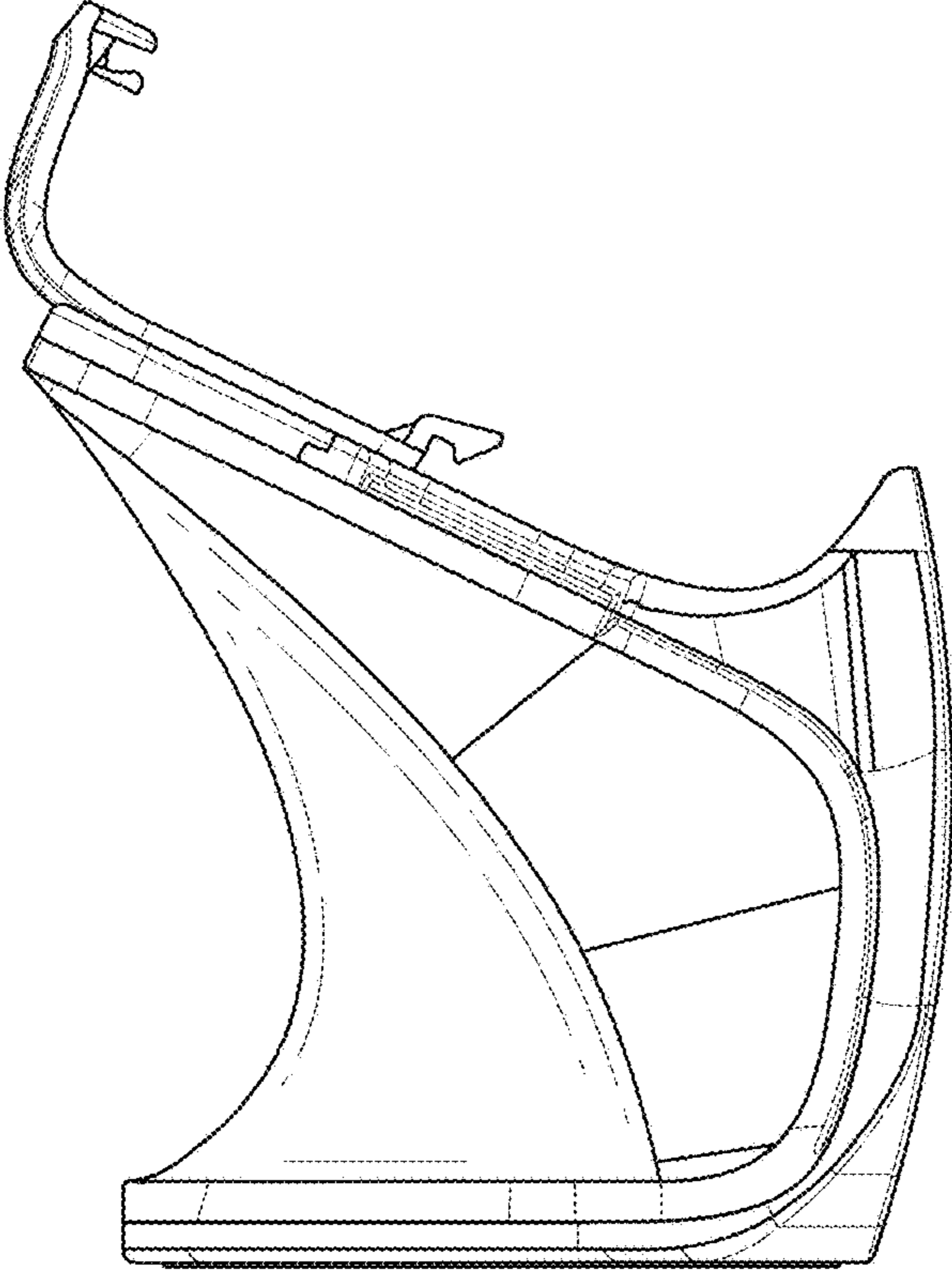


FIG. 4

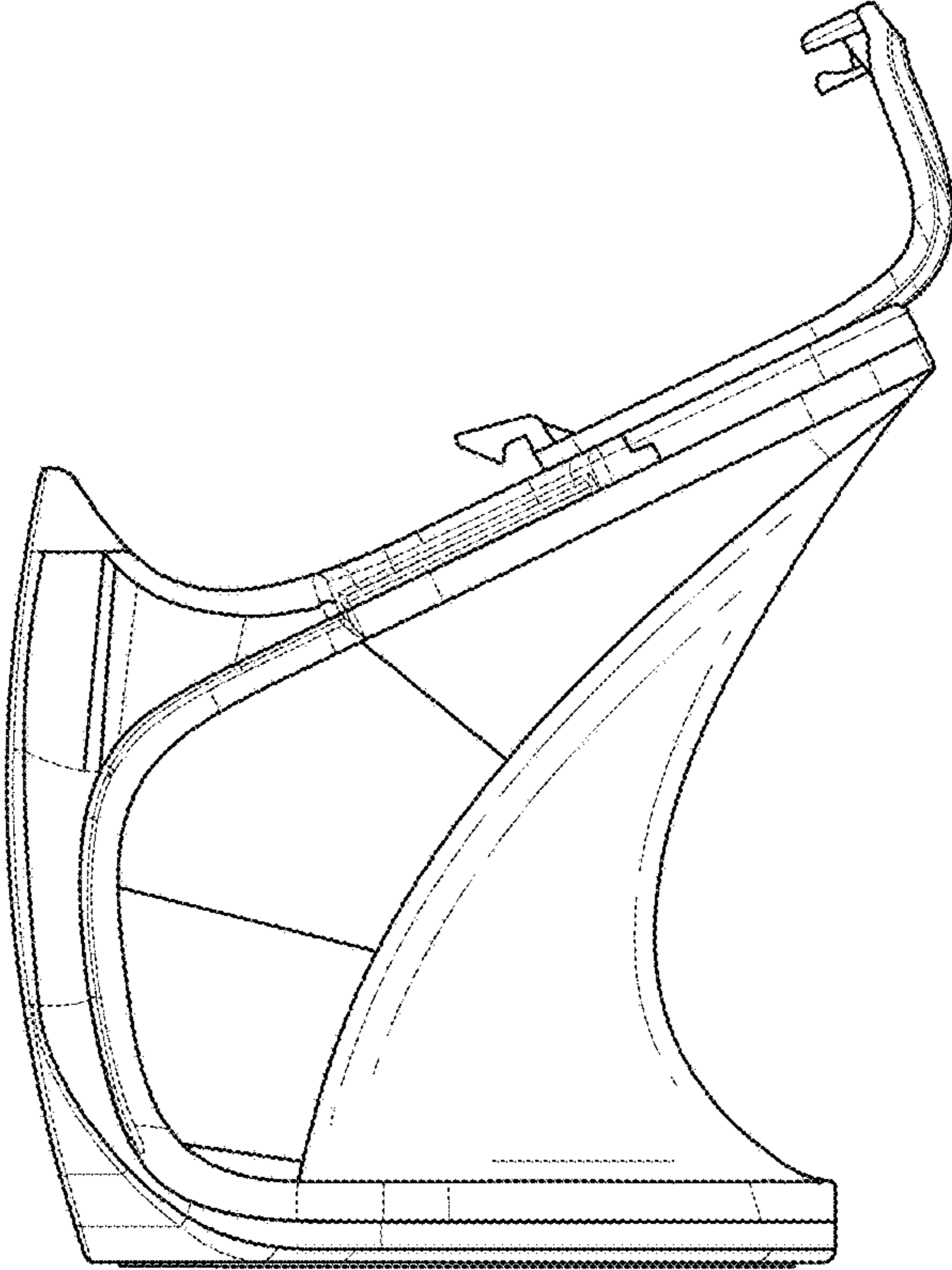


FIG. 5

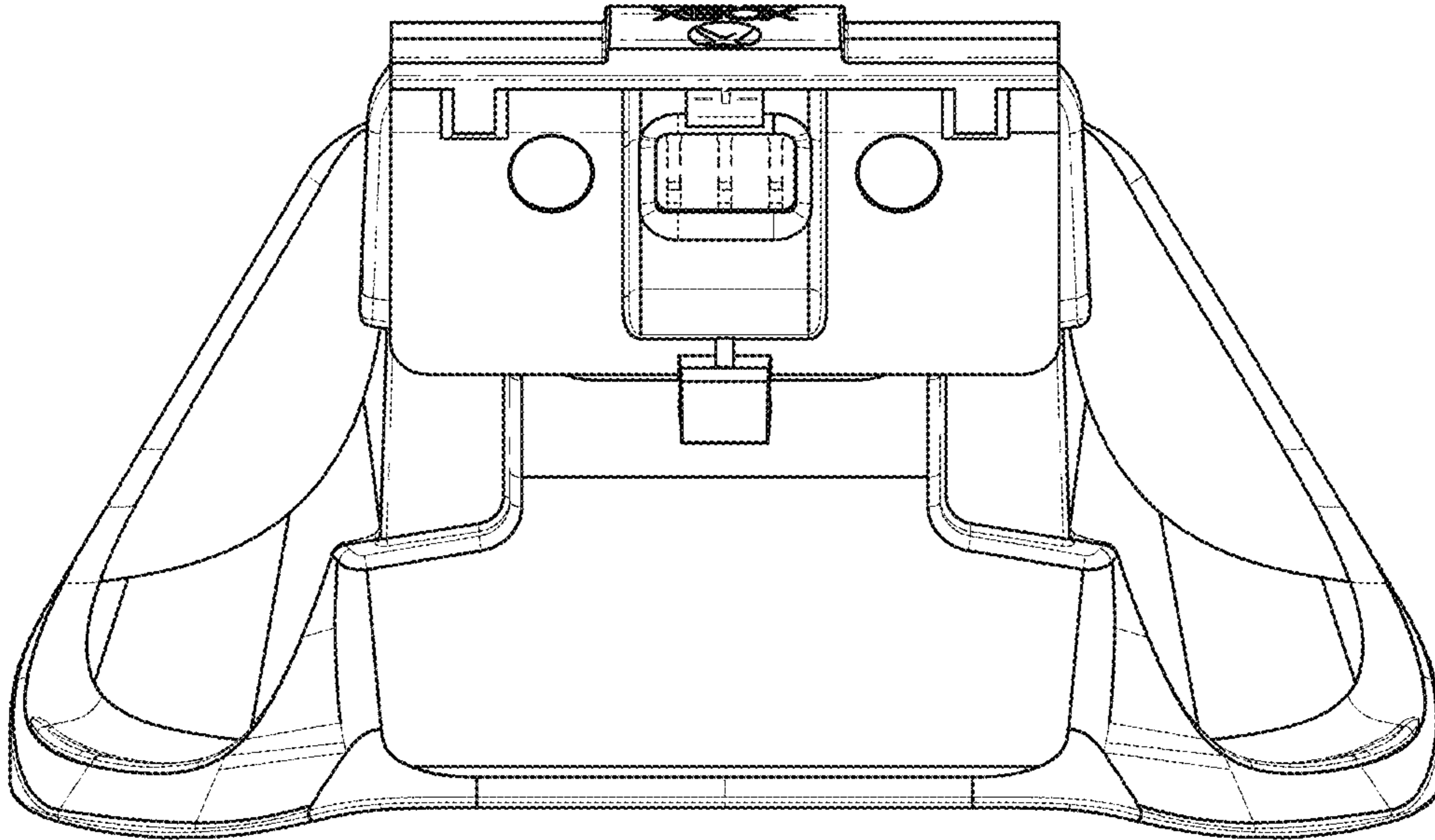


FIG. 6

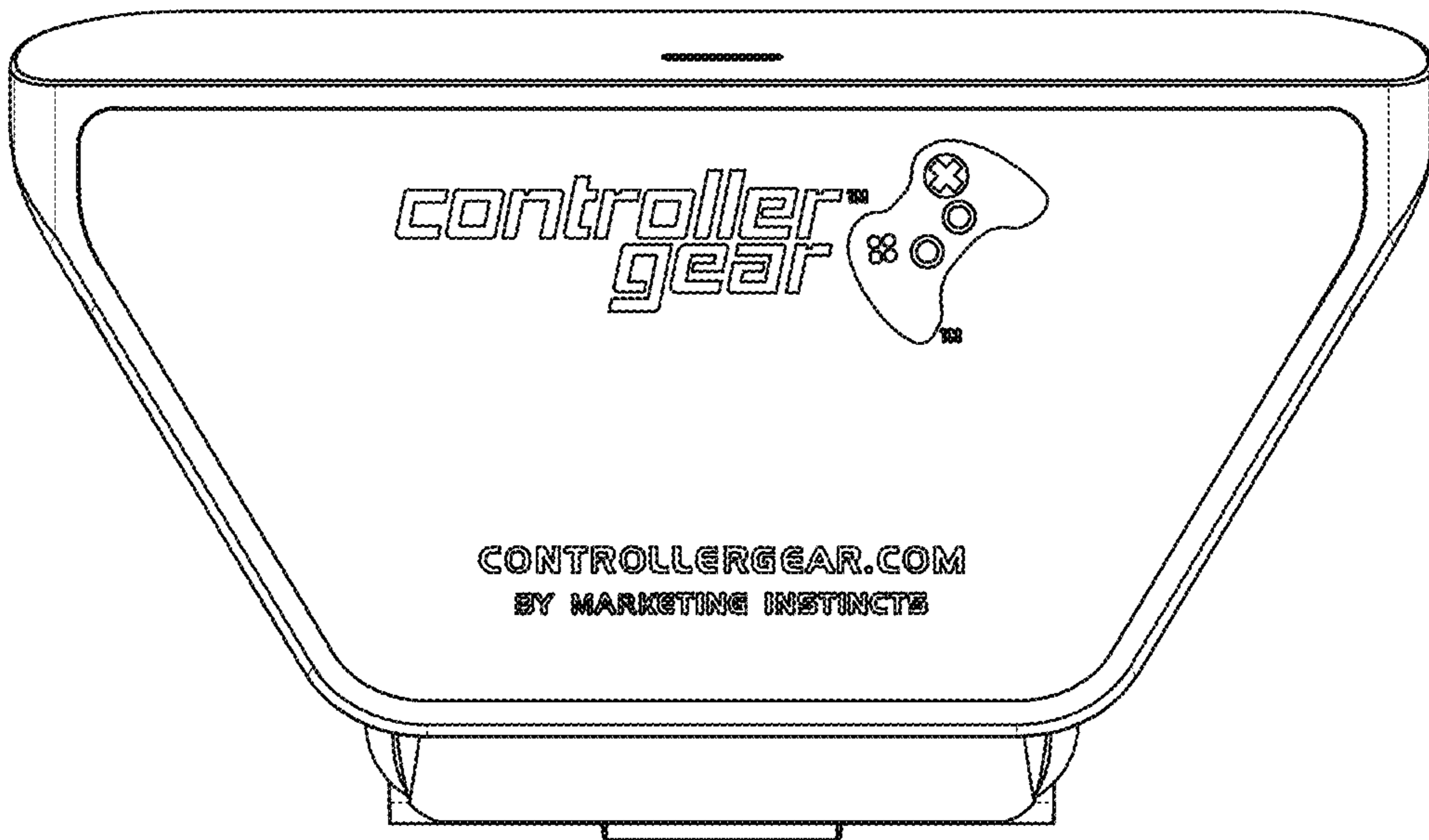


FIG. 7

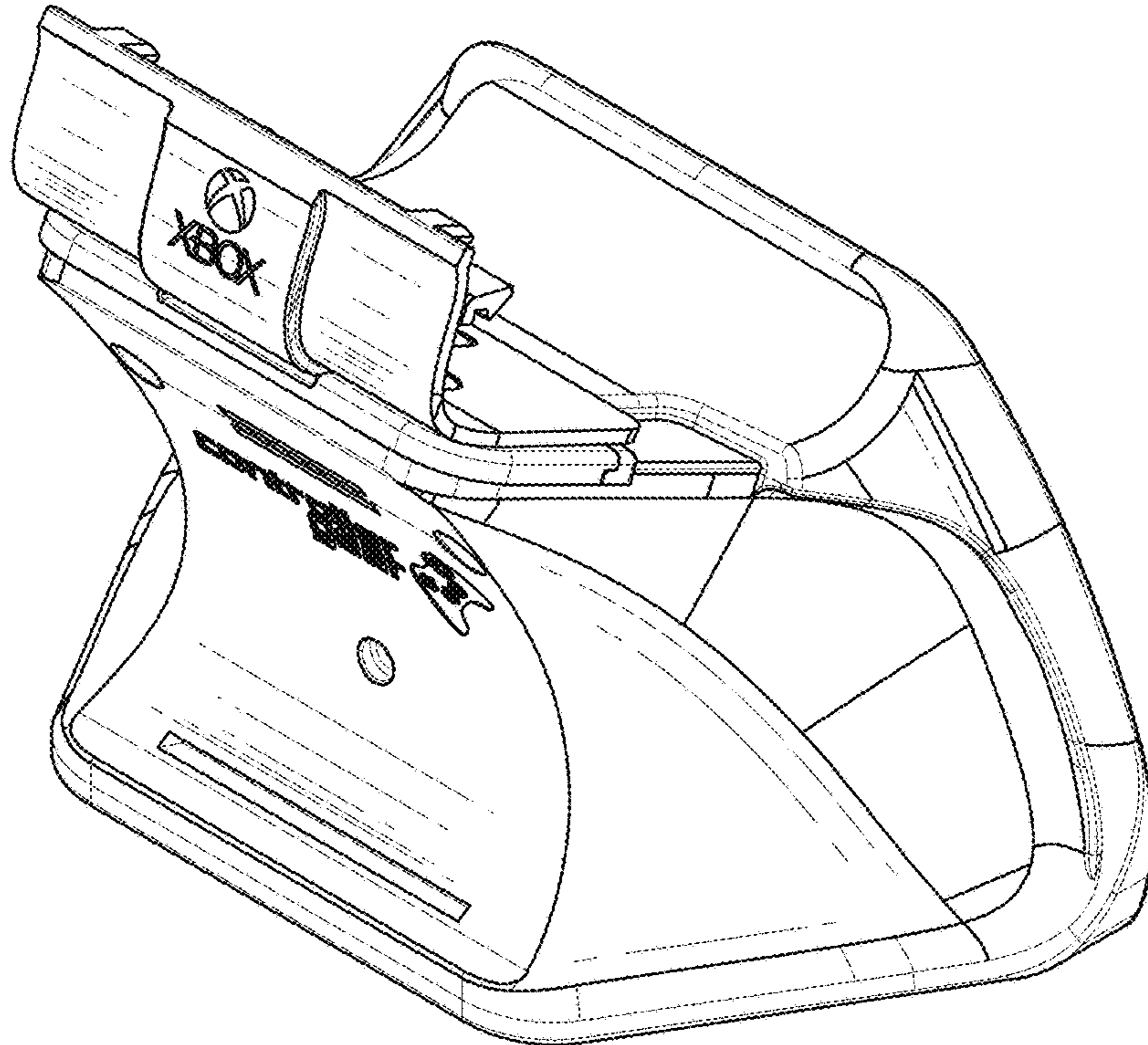


FIG. 8

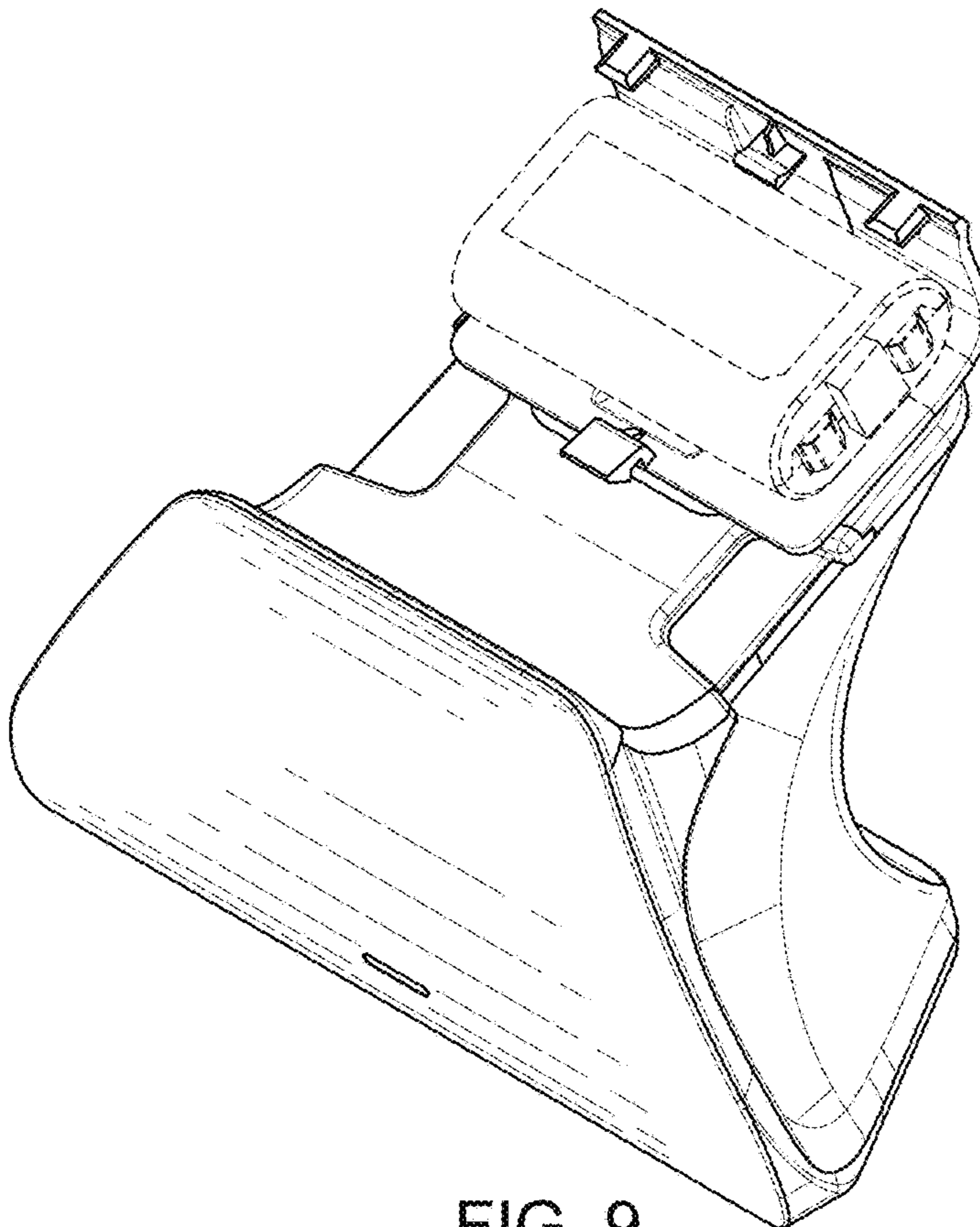


FIG. 9