



US00D829649S

(12) **United States Design Patent**  
**Lau et al.**

(10) **Patent No.:** **US D829,649 S**  
(45) **Date of Patent:** **\*\* Oct. 2, 2018**

(54) **BATTERY CHARGER**

(71) Applicant: **DELTA-Q TECHNOLOGIES CORP.**,  
Burnaby (CA)

(72) Inventors: **Ngai Eric Lau**, Burnaby (CA); **Jeff Douglas Everett**, Vancouver (CA);  
**Jonathan Eric Stroud**, Surrey (CA);  
**James Lennox Fox**, Vancouver (CA)

(73) Assignee: **DELTA-Q TECHNOLOGIES CORP.**,  
Burnaby (CA)

(\*\*) Term: **15 Years**

(21) Appl. No.: **29/626,628**

(22) Filed: **Nov. 17, 2017**

**Related U.S. Application Data**

(62) Division of application No. 29/535,892, filed on Aug. 11, 2015, now Pat. No. Des. 806,647.

(51) **LOC (11) Cl.** ..... **13-02**

(52) **U.S. Cl.**  
USPC ..... **D13/107**

(58) **Field of Classification Search**  
USPC ..... D13/107-110, 118-119, 184; D14/251,  
D14/253, 432, 434  
CPC ..... Y02E 60/12; Y02T 90/14; Y02T 90/122;  
Y02T 90/128; Y02T 90/163; H02J 7/025;  
H02J 7/0042; H02J 7/0044; H02J 7/0045;  
H02J 7/0003; H01F 38/14; H01R  
13/6675; H01M 2/1022; H01M 2/1055;  
H01M 10/44; H01M 10/46; H01M  
10/425; B60L 11/182

See application file for complete search history.

(56) **References Cited**

**U.S. PATENT DOCUMENTS**

D203,543 S 1/1966 Coe  
3,938,024 A 2/1976 Clarke  
4,412,277 A 10/1983 Mitchell  
4,559,590 A 12/1985 Dacidson

(Continued)

**FOREIGN PATENT DOCUMENTS**

CA 2 806 870 A1 4/2014  
WO 2010/025596 A1 3/2010

**OTHER PUBLICATIONS**

Chen et al., "Digital Control for Improved Efficiency and Reduced Harmonic Distortion Over Wide Load Range in Boost PFC Rectifiers," *IEEE Transactions on Power Electronics* 25(10):2683-2692, Oct. 2010.

(Continued)

*Primary Examiner* — Rosemary K Tarcza

*Assistant Examiner* — Nathaniel D Buckner

(74) *Attorney, Agent, or Firm* — Seed IP Law Group LLP

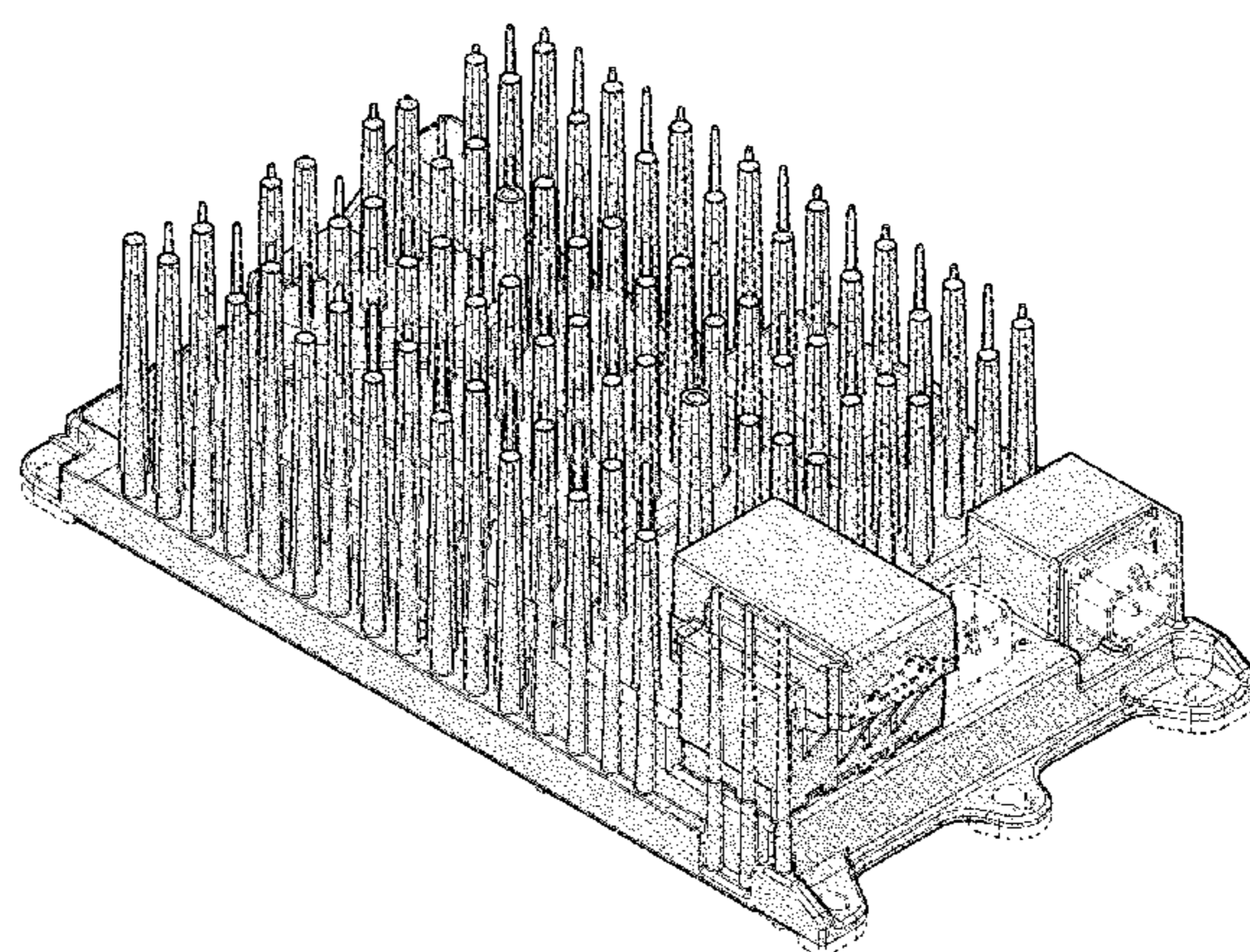
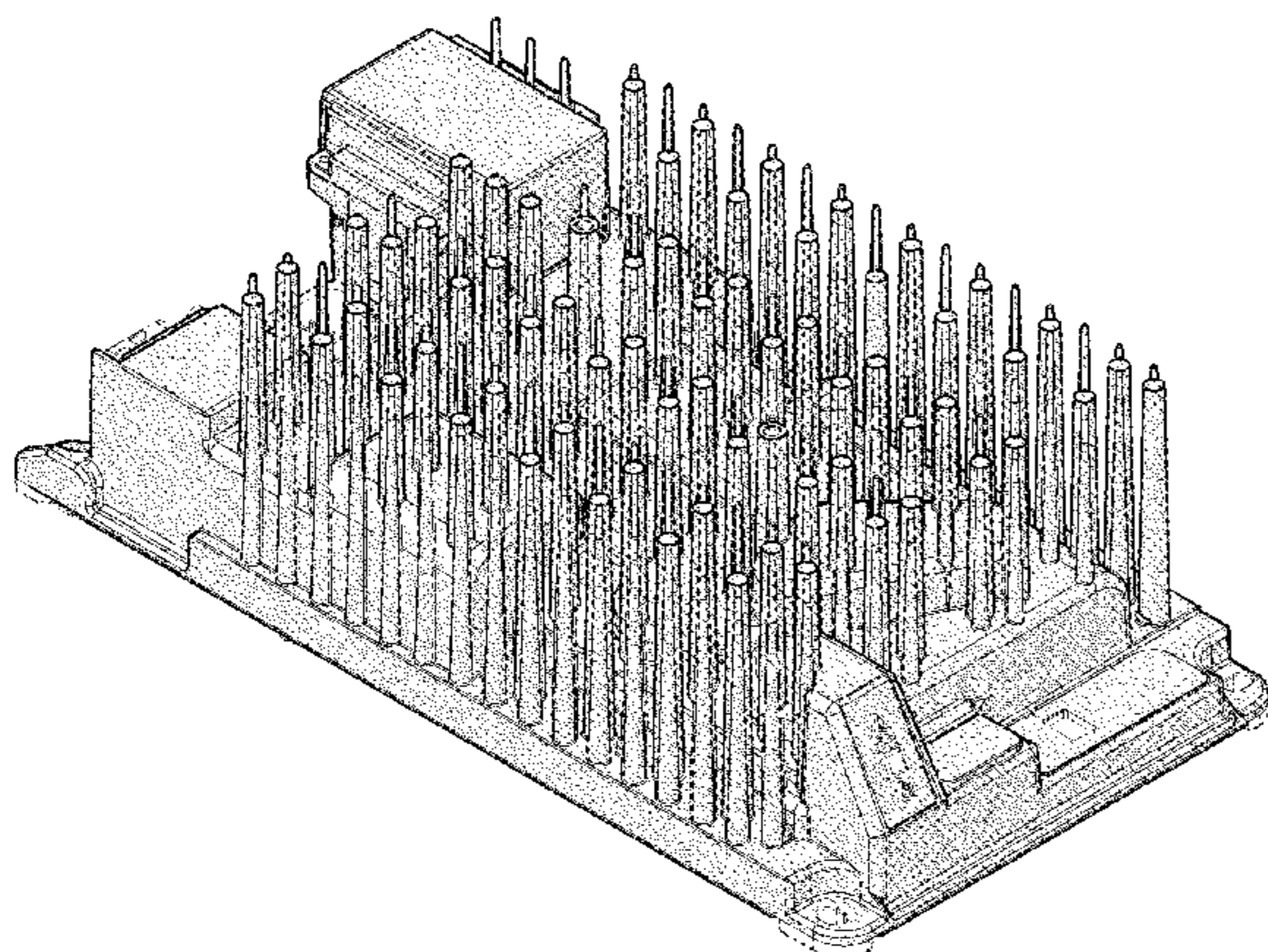
(57) **CLAIM**

The ornamental design for a battery charger, as shown and described.

**DESCRIPTION**

FIG. 1 is a top right-front isometric view of a battery charger showing an embodiment of our new design.  
FIG. 2 is a bottom left-rear isometric view thereof.  
FIG. 3 is a top left-rear isometric view thereof.  
FIG. 4 is a bottom right-rear isometric view thereof.  
FIG. 5 is a top left-front isometric view thereof.  
FIG. 6 is a top right-rear isometric view thereof.  
FIG. 7 is a top plan view thereof.  
FIG. 8 is a bottom plan view thereof.  
FIG. 9 is a front elevational view thereof.  
FIG. 10 is a rear elevational view thereof.  
FIG. 11 is a left side elevational view thereof; and,  
FIG. 12 is a right side elevational view thereof.  
The broken lines in the figures represent portions of the article which form no part of the claim.

**1 Claim, 10 Drawing Sheets**





(56)

References Cited

U.S. PATENT DOCUMENTS

D287,718 S \* 1/1987 Moeller ..... D13/123  
 D292,914 S \* 11/1987 Moeller ..... D13/123  
 D305,115 S 12/1989 Kondo  
 4,885,590 A 12/1989 Henze et al.  
 5,001,620 A 3/1991 Smit  
 5,034,871 A 7/1991 Okamoto et al.  
 5,065,278 A 11/1991 Schultz  
 5,077,486 A 12/1991 Marson et al.  
 D328,057 S 7/1992 Prager et al.  
 D336,074 S 6/1993 Friend et al.  
 D338,653 S 8/1993 Morgan et al.  
 D348,869 S 7/1994 Egger et al.  
 D351,134 S 10/1994 Hunziker  
 5,355,300 A 10/1994 Zinn  
 D358,753 S 5/1995 Yoshida et al.  
 D360,186 S 7/1995 Netz et al.  
 5,490,057 A 2/1996 Vinciarelli et al.  
 5,602,492 A 2/1997 Stich et al.  
 D378,915 S 4/1997 Widmayer et al.  
 D379,088 S 5/1997 Hopper  
 D379,799 S 6/1997 Widmayer et al.  
 D381,011 S 7/1997 Widmayer et al.  
 D388,399 S 12/1997 Widmayer et al.  
 D398,589 S 9/1998 Dodson  
 D401,216 S 11/1998 Person et al.  
 D409,138 S \* 5/1999 Gammenthaler ..... D13/110  
 D409,139 S 5/1999 Cornell et al.  
 D410,652 S 6/1999 Jones et al.  
 D416,873 S 11/1999 Korsunsky et al.  
 D427,146 S 6/2000 Wei  
 D427,147 S 6/2000 Wei  
 6,076,594 A 6/2000 Kuo  
 D449,587 S 10/2001 Cronin  
 D449,817 S 10/2001 Takeuchi et al.  
 6,320,772 B1 11/2001 Doyama et al.  
 D458,228 S 6/2002 Jacobson  
 6,462,966 B1 10/2002 Leung et al.  
 6,650,559 B1 11/2003 Okamoto et al.  
 D489,682 S 5/2004 Guillaume  
 6,736,195 B2 5/2004 Busch et al.  
 6,809,678 B2 10/2004 Very et al.  
 6,841,979 B2 1/2005 Berson et al.  
 6,847,195 B2 1/2005 Chen  
 6,862,201 B2 3/2005 Hodge, Jr.  
 D505,915 S 6/2005 Hussaini et al.  
 D507,528 S \* 7/2005 Feldman ..... D13/102  
 D510,320 S \* 10/2005 Tuomola ..... D13/110  
 7,116,090 B1 10/2006 Yang et al.  
 7,198,094 B2 4/2007 Barsun et al.  
 D541,743 S 5/2007 Virolainen et al.  
 D541,744 S 5/2007 Virolainen et al.  
 D541,745 S 5/2007 Virolainen et al.  
 D546,282 S \* 7/2007 Wardenburg ..... D13/110  
 D551,621 S 9/2007 Iacovelli et al.  
 D559,778 S \* 1/2008 Tsuzuki ..... D13/110  
 D562,765 S 2/2008 Tsuzuki et al.  
 7,365,987 B2 4/2008 Jeong  
 D568,841 S 5/2008 Fischer et al.  
 D571,314 S 6/2008 Horng  
 7,535,716 B2 5/2009 Fischer et al.  
 D593,512 S 6/2009 Lin  
 7,616,455 B2 11/2009 Cameron et al.  
 D606,017 S 12/2009 Charlson et al.  
 D621,812 S \* 8/2010 Wayman ..... D14/140.5  
 D638,376 S 5/2011 Herrmann et al.  
 D651,200 S 12/2011 Sugime et al.  
 D652,156 S 1/2012 Li et al.  
 D661,008 S 5/2012 Yuan  
 D662,880 S \* 7/2012 Scott ..... D13/110  
 D664,544 S 7/2012 Yi et al.  
 D667,789 S 9/2012 O'Neil  
 D672,730 S 12/2012 Lin  
 D675,622 S \* 2/2013 Petrick ..... D13/107  
 D677,621 S 3/2013 Beroukas et al.  
 D678,852 S 3/2013 Marshall

D682,207 S 5/2013 Nakahira et al.  
 D684,130 S \* 6/2013 Vincent ..... D13/184  
 D691,558 S 10/2013 Helosvouri et al.  
 8,546,974 B2 10/2013 Foxall et al.  
 8,552,695 B2 10/2013 Stacquadini  
 8,598,737 B2 12/2013 Foxall et al.  
 D698,481 S 1/2014 Wasserman et al.  
 D702,376 S 4/2014 Su  
 D703,132 S 4/2014 Pearson et al.  
 D705,728 S 5/2014 Choi  
 8,803,489 B2 8/2014 Li et al.  
 D713,336 S 9/2014 Perin  
 8,861,238 B2 10/2014 Huang et al.  
 8,937,469 B2 1/2015 Clark et al.  
 D722,958 S 2/2015 Kotaniemi et al.  
 D726,141 S 4/2015 Wilson  
 D730,333 S 5/2015 Matsumoto  
 9,028,096 B2 5/2015 Verdes et al.  
 D734,250 S 7/2015 Rennick  
 D739,347 S 9/2015 Huang et al.  
 D751,241 S 3/2016 Aldape  
 D751,751 S 3/2016 Lockart et al.  
 D755,740 S 5/2016 Chen et al.  
 D761,472 S 7/2016 Zhu  
 D761,729 S 7/2016 Leong  
 D767,815 S 9/2016 Lee  
 D768,585 S 10/2016 Moore et al.  
 D770,975 S 11/2016 Nada et al.  
 9,490,694 B2 11/2016 Alam  
 D793,350 S 8/2017 Kenchappa  
 D796,431 S 9/2017 Lau et al.  
 D805,473 S \* 12/2017 Montgomery ..... D13/110  
 D805,486 S \* 12/2017 Hochman ..... D13/184  
 D806,647 S 1/2018 Lau et al.  
 2002/0149951 A1 10/2002 Leung et al.  
 2005/0105311 A1 5/2005 Soldano  
 2007/0131387 A1 6/2007 Kawabata et al.  
 2008/0002444 A1 1/2008 Shekhawat et al.  
 2010/0110593 A1 5/2010 Kim et al.  
 2010/0165683 A1 7/2010 Sugawara  
 2010/0259240 A1 10/2010 Cuk  
 2011/0110127 A1 5/2011 Lee  
 2011/0211377 A1 9/2011 Uno  
 2011/0292703 A1 12/2011 Cuk  
 2012/0069615 A1 3/2012 Tomioka  
 2012/0249102 A1 10/2012 Cuk  
 2012/0256606 A1 10/2012 Van Den Brioke  
 2013/0235631 A1 9/2013 Pahlevaninezhad et al.  
 2014/0056045 A1 2/2014 Yan et al.  
 2014/0097808 A1 4/2014 Clark et al.  
 2014/0268952 A1 9/2014 Tong  
 2015/0171734 A1 6/2015 Tu et al.  
 2016/0056730 A1 2/2016 Yan et al.  
 2016/0099660 A1 4/2016 Khaligh et al.

OTHER PUBLICATIONS

Clark, "Digital Control Techniques for Power Quality Improvements in Power Factor Correction Applications," Master's Thesis, University of British Columbia, Jul. 2012, 114 pages.  
 De Gussemé et al., "Digitally Controlled Boost Power-Factor-Correction Converts Operating in Both Continuous and Discontinuous Conduction Mode," *IEEE Transactions on Industrial Electronics* 52(1):88-97, Feb. 2005.  
 De Gussemé et al., "Input-Current Distortion of CCM Boost PFC Converts Operated in DCM," *IEEE Transactions on Industrial Electronics* 54(2):858-865, Apr. 2007.  
 De Gussemé et al., "Sample Correction for Digitally Controlled Boost PFC Converters Operating in both CCM and DCM," *Eighteenth Annual IEEE Applied Power Electronics Conference and Exposition* 1:389-395, Feb. 9-13, 2003.  
 de Souza et al., "A New ZVS-PWM Unity Power Factor Rectifier with Reduced Conduction Losses," *IEEE Transactions on Power Electronics* 10(6):746-752, Nov. 1995.  
 de Souza et al., "High Power Factor Rectifier with Reduced Conduction and Commutation Losses," 21<sup>st</sup> International Telecommunication Energy Conference, Copenhagen, Jun. 6-9, 1999, 5 pages.



(56)

**References Cited**

## OTHER PUBLICATIONS

Delta-Q Technologies Corp., "Delta-Q Technologies Introduces New Lithium-Specific Battery Charger at ProMAT 2017," published Mar. 27, 2017, retrieved from <http://www.prnewswire.com/news-releases/delta-q-technologies-introduces-new-lithium-specific-battery-charger-at-promat-2017-617167523.htm> on Jun. 1, 2017, 3 pages.

Dixon, "Average Current Mode Control of Switching Power Supplies," Unitrode Application Note U-140, pp. 3-356-3-369, 1990. (14 pages).

Dixon, "Average Current Mode Control of Switching Power Supplies—Topic 5," Unitrode Corporation, pp. 5-1-5-14, 2001. (16 pages).

Erickson et al., *Fundamentals of Power Electronics*, Second Edition, Kluwer Academic Publishers, Secaucus, NJ, 2001, 12 pages, Table of Contents.

Fairchild Semiconductor, "FAN7930: Critical Conduction Mode PFC Controller," Apr. 2010, 22 pages.

Huber et al., "Performance Evaluation of Bridgeless PFC Boost Rectifiers," *IEEE Transactions on Power Electronics* 23(3):1381-1390, May 2008.

Hwang et al., "Seamless Boost Converter Control in Critical Boundary Condition for Fuel Cell Power Conditioning System," IEEE Energy Conversion Congress and Exposition, Sep. 17-22, 2011, pp. 3641-3648.

Hwang et al., "Seamless Boost Converter Control Under the Critical Boundary Condition for a Fuel Cell Power Conditioning System," *IEEE Transactions on Power Electronics* 27(8):3616-3626, Aug. 2012.

Lau et al., "Battery Charger," U.S. Appl. No. 29/530,060, filed Jun. 12, 2015, 18 Pages.

Lau et al., "Battery Charger," U.S. Appl. No. 29/565,135, filed May 18, 2016, 26 pages.

Lau et al., "Battery Charger," U.S. Appl. No. 29/586,567, filed Dec. 5, 2016, 18 pages.

Liou et al., "Design and Implementation of a Boost Power Factor Correction Stage Operated in Mixed-Condition Mode," International Conference of Electric Information and Control Engineering (ICEICE), Apr. 15-17, 2011, pp. 2069-2072.

Maksimović et al., "Impact of Digital Control in Power Electronics," *Proceedings of 2004 International Symposium on Power Semiconductor Devices & ICs, Kitakyushu*, pp. 13-22, 2004.

Martinez et al., "A High-Performance Single-Phase Rectifier with Input Power Factor Correction," *IEEE Transactions on Power Electronics* 11(2):311-317, Mar. 1996.

Marvi et al., "A Fully ZVS Critical Conduction Mode Boost PFC," *IEEE Transactions on Power Electronics* 27(4):1958-1965, Apr. 2012.

Moon et al., "Accurate Mode Boundary Detection in Digitally Controlled Boost Power Factor Correction Rectifiers," IEEE Energy Conversion Congress and Exposition (ECCE), Sep. 12-16, 2010, pp. 1212-1217.

Moon et al., "Autotuning of Digitally Controlled Boost Power Factor Correction Rectifiers," *IEEE Transactions on Power Electronics* 26(10):3006-3018, Oct. 2011.

Musavi et al., "A Phase-Shifted Gating Technique With Simplified Current Sensing for the Semi-Bridgeless AC-DC Converter," *IEEE Transactions on Vehicular Technology* 62(4):1568-1576, May 2013.

Roggia et al., "Digital Control System Applied to a PFC Boost Converter Operating in Mixed Conduction Mode," Brazilian Power Electronics Conference (COBEP), Sep. 2-Oct. 1, 2009, pp. 698-704.

Salmon, "Circuit topologies for pwm boost rectifiers operated from 1-phase and 3-phase ac supplies and using either single or split dc rail voltage outputs," 10<sup>th</sup> Annual Applied Power Electronics Conference and Exposition, Dallas, TX, Mar. 5-9, 1995, vol. 1, pp. 473-479.

Salmon, "Circuit Topologies for Single-Phase Voltage-Doubler Boost Rectifiers," *IEEE Transactions on Power Electronics* 8(4):521-529, Oct. 1993.

Sebastián et al., "The Determination of the Boundaries Between Continuous and Discontinuous Conduction Modes in PWM DC-to-DC Converters Used as Power Factor Preregulators," *IEEE Transactions on Power Electronics* 10(5):574-582, Sep. 1995.

Su et al., "An Interleaved Totem-Pole Boost Bridgeless Rectifier With Reduced Reverse-Recovery Problems for Power Factor Correction," *IEEE Transactions on Power Electronics* 25(6):1406-1415, Jun. 2010.

Tollik et al., "Comparative Analysis of 1-Phase Active Power Factor Correction Topologies," 14<sup>th</sup> International Telecommunications Energy Conference, Washington, DC, Oct. 4-8, 1992, pp. 517-523.

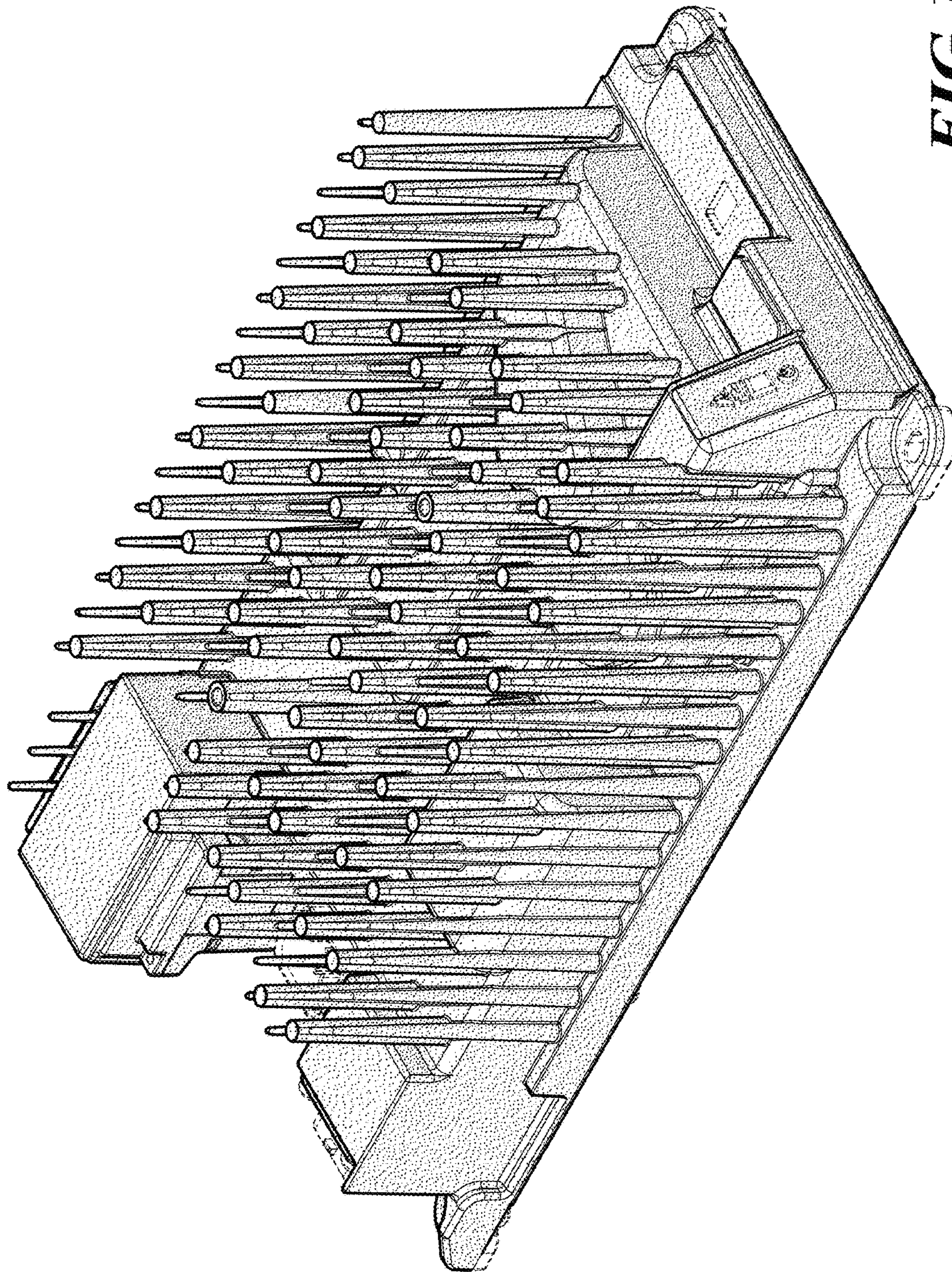
Tsai et al., "A Family of Zero-Voltage-Transition Bridgeless Power-Factor-Correction Circuits With a Zero-Current-Switching Auxiliary Switch," *IEEE Transactions on Industrial Electronics* 58(5):1848-1855, May 2011.

Van de Sype et al., "Duty-Ratio Feedforward for Digitally Controlled Boost PFC Converters," *IEEE Transactions on Industrial Electronics* 52(1):108-115, Feb. 2005.

Wang, "A New Single-Phase ZCS-PWM Boost Rectifier With High Power Factor and Low Conduction Losses," *IEEE Transactions on Industrial Electronics* 53(2):500-510, Apr. 2006.

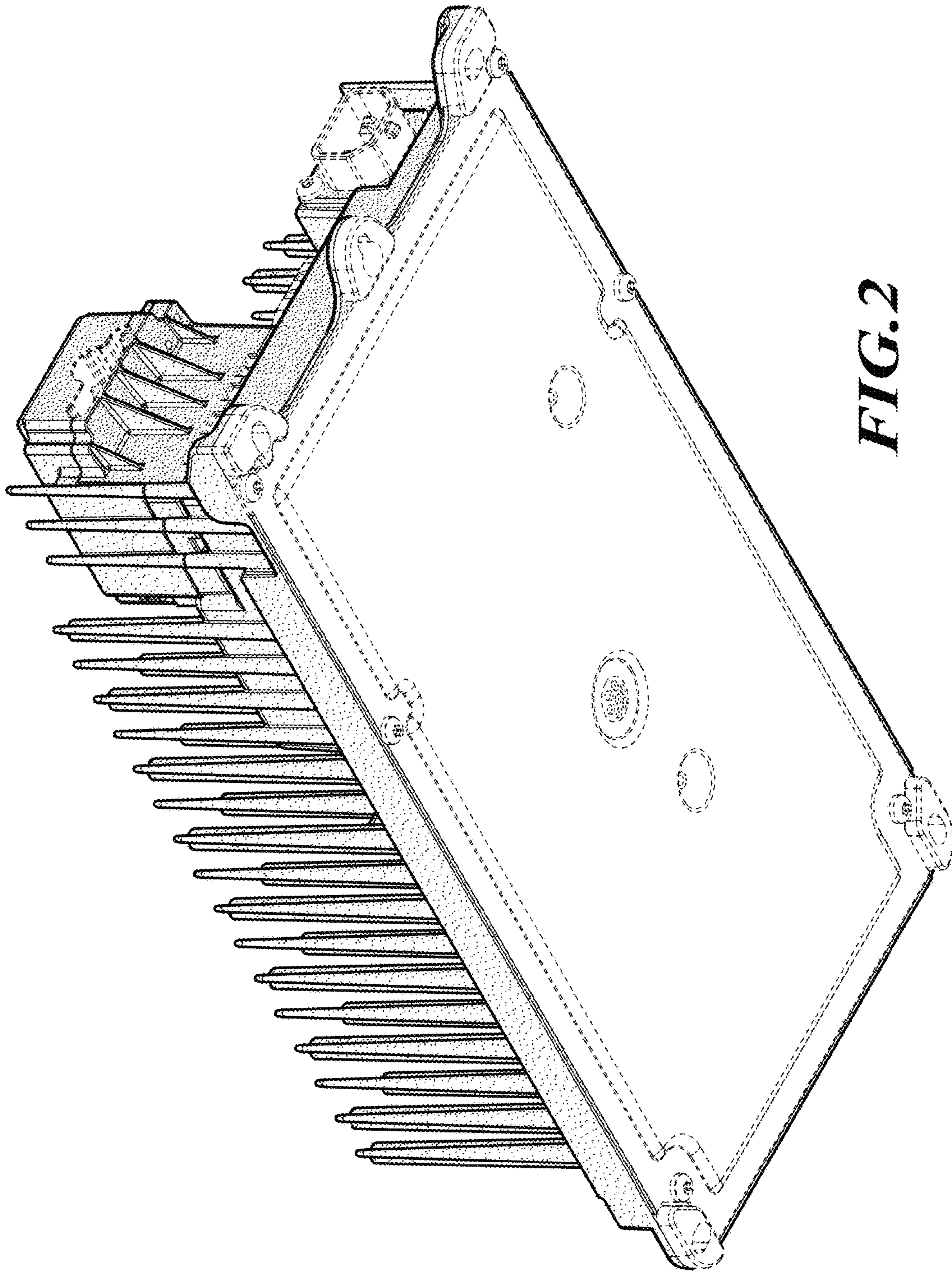
\* cited by examiner





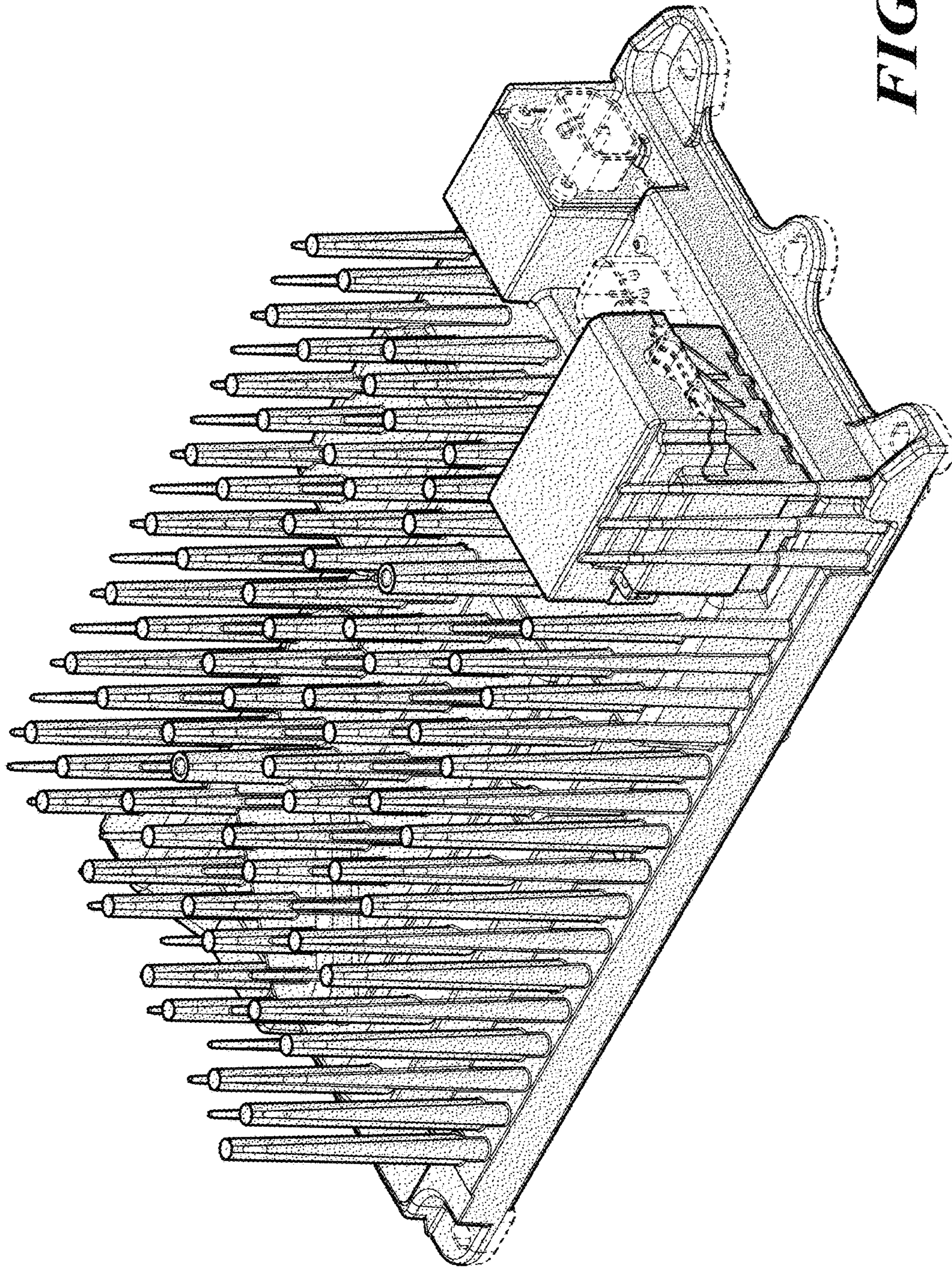
**FIG. 1**





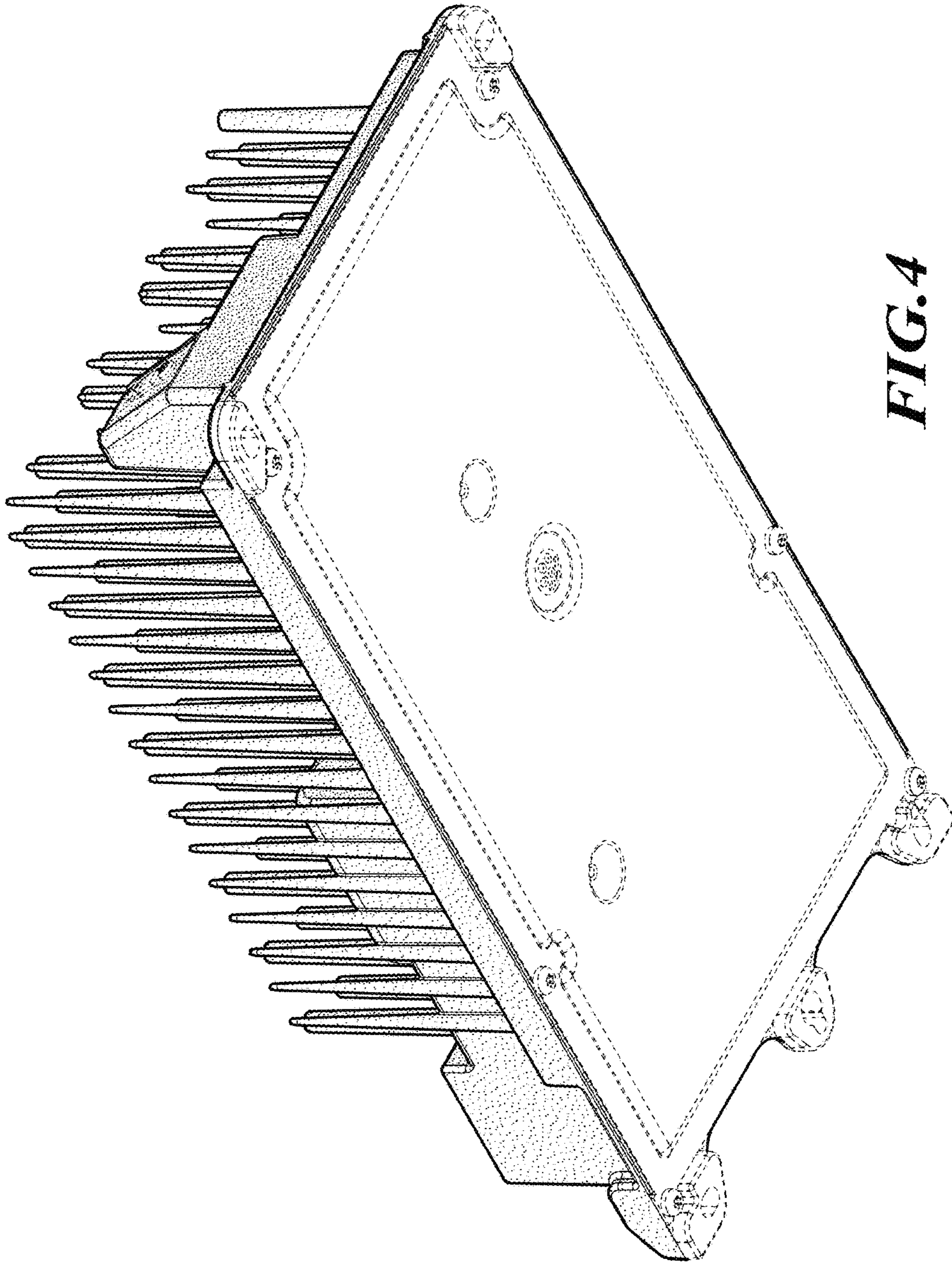
**FIG. 2**





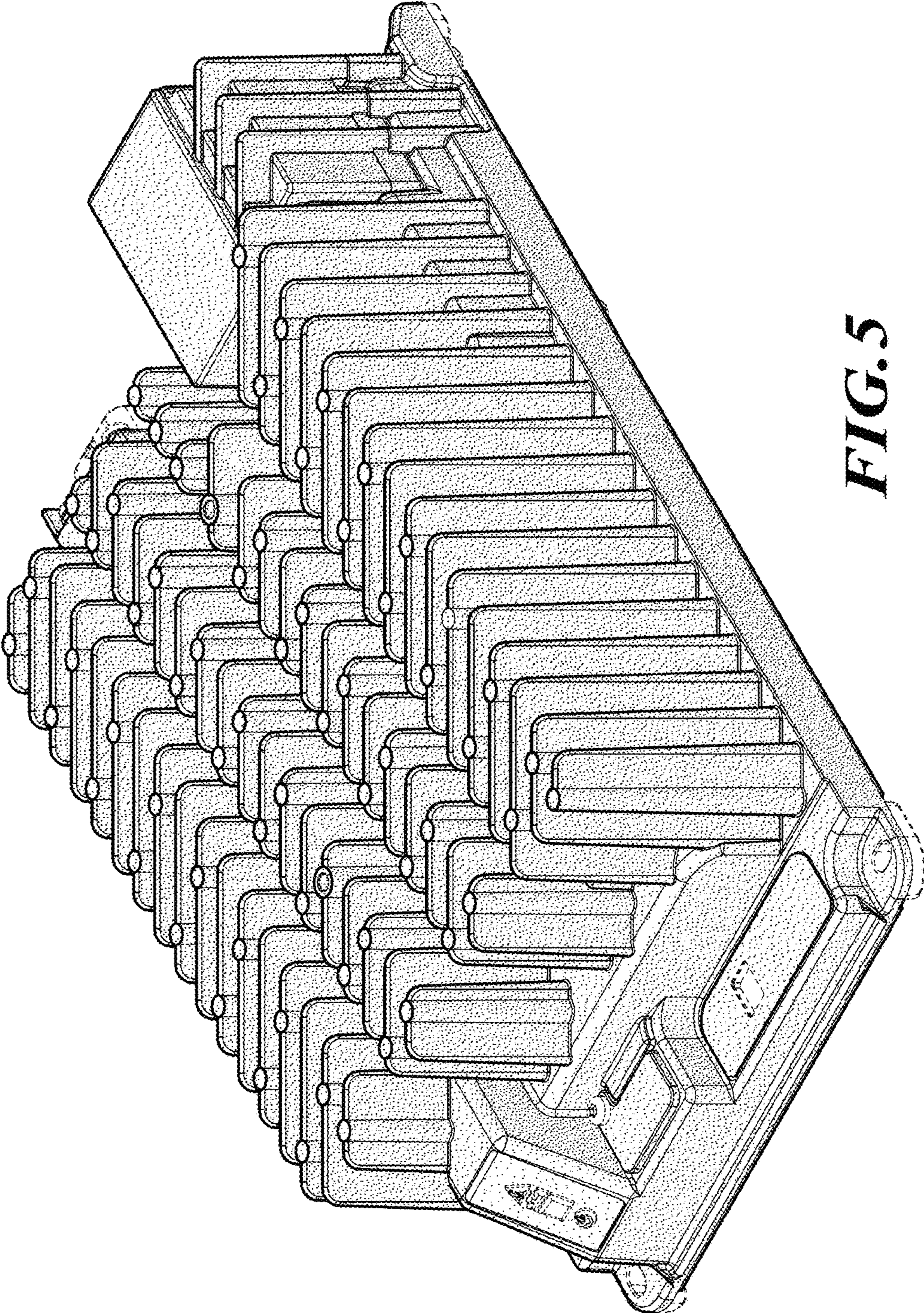
**FIG. 3**





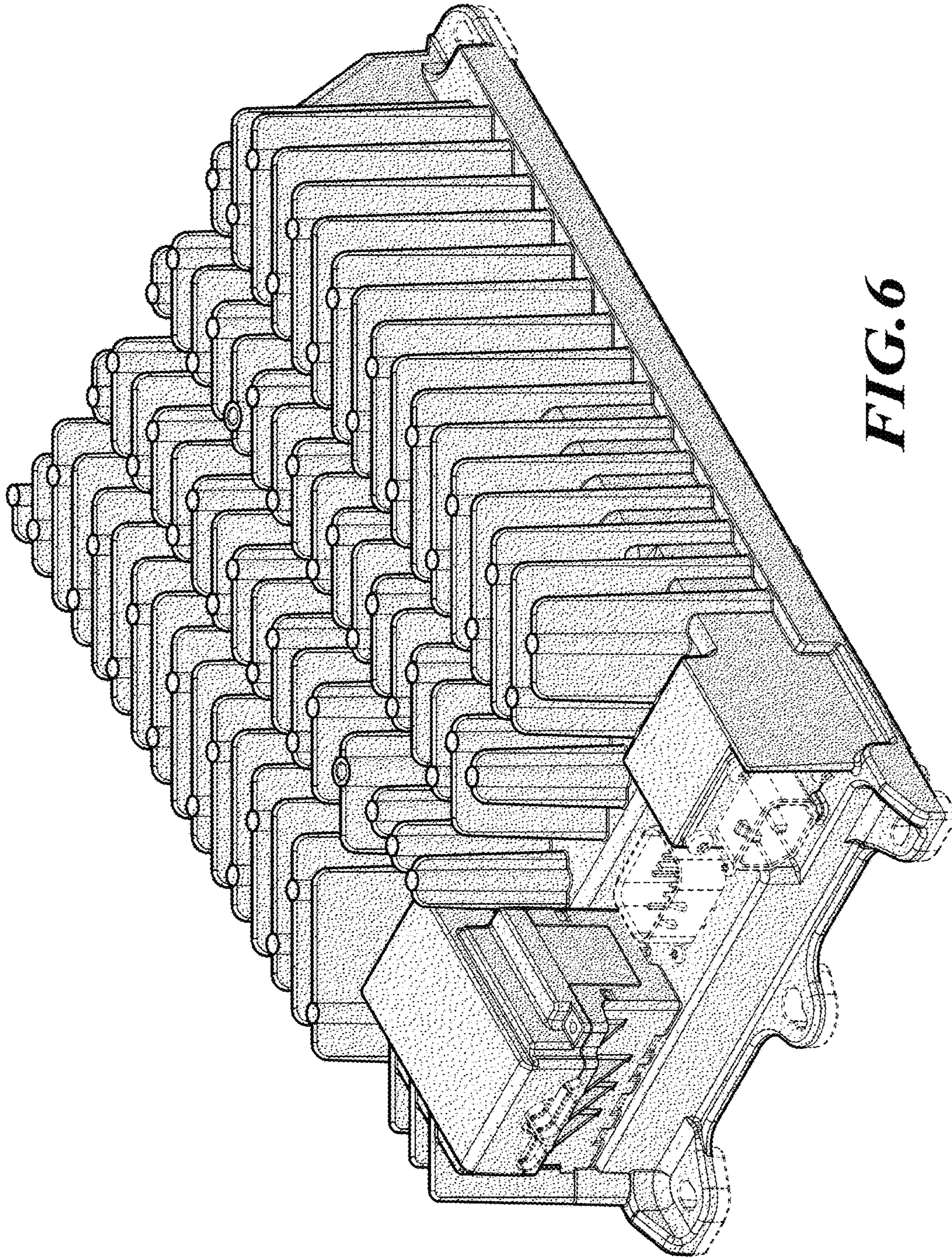
**FIG. 4**





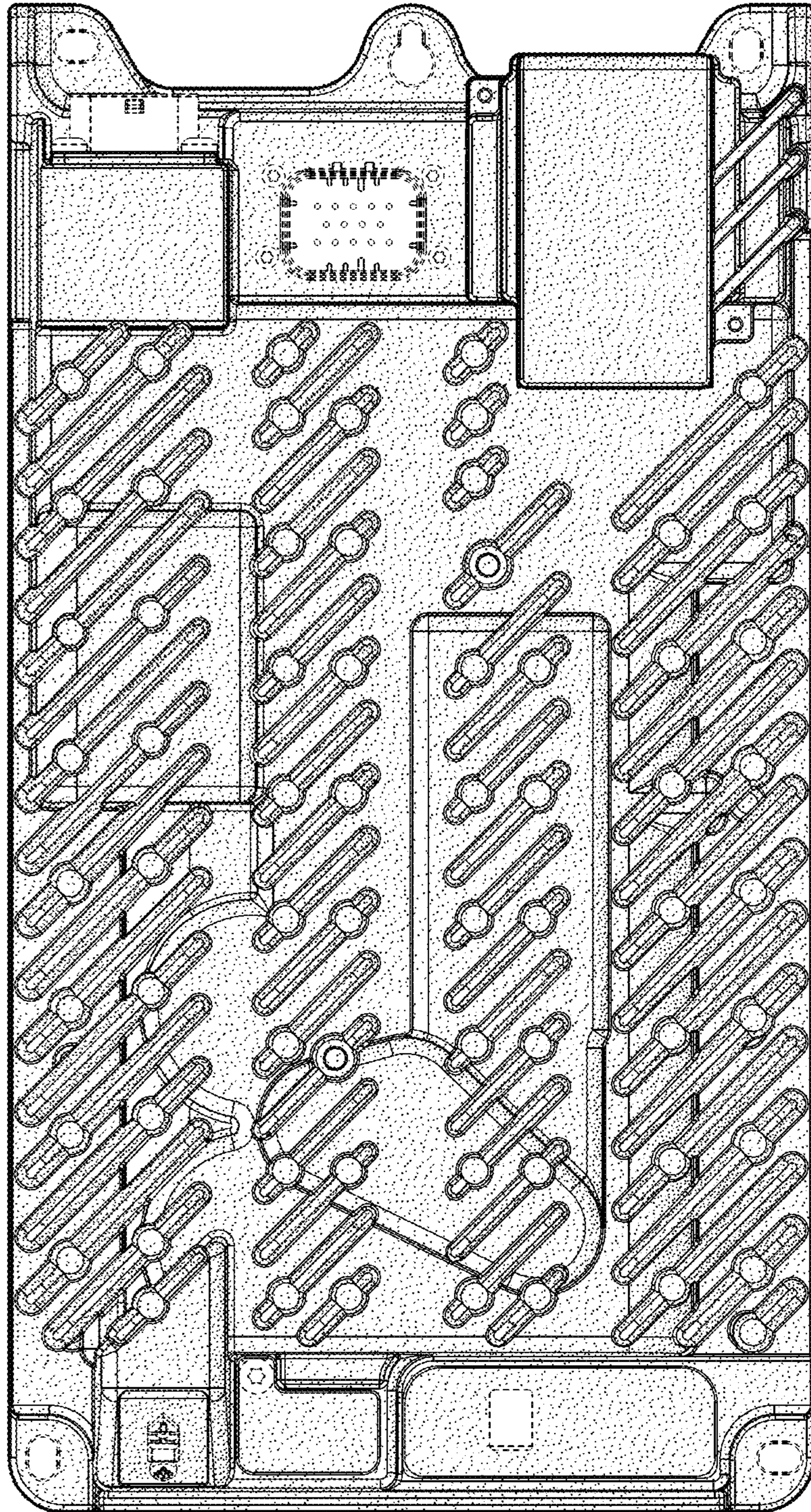
**FIG. 5**





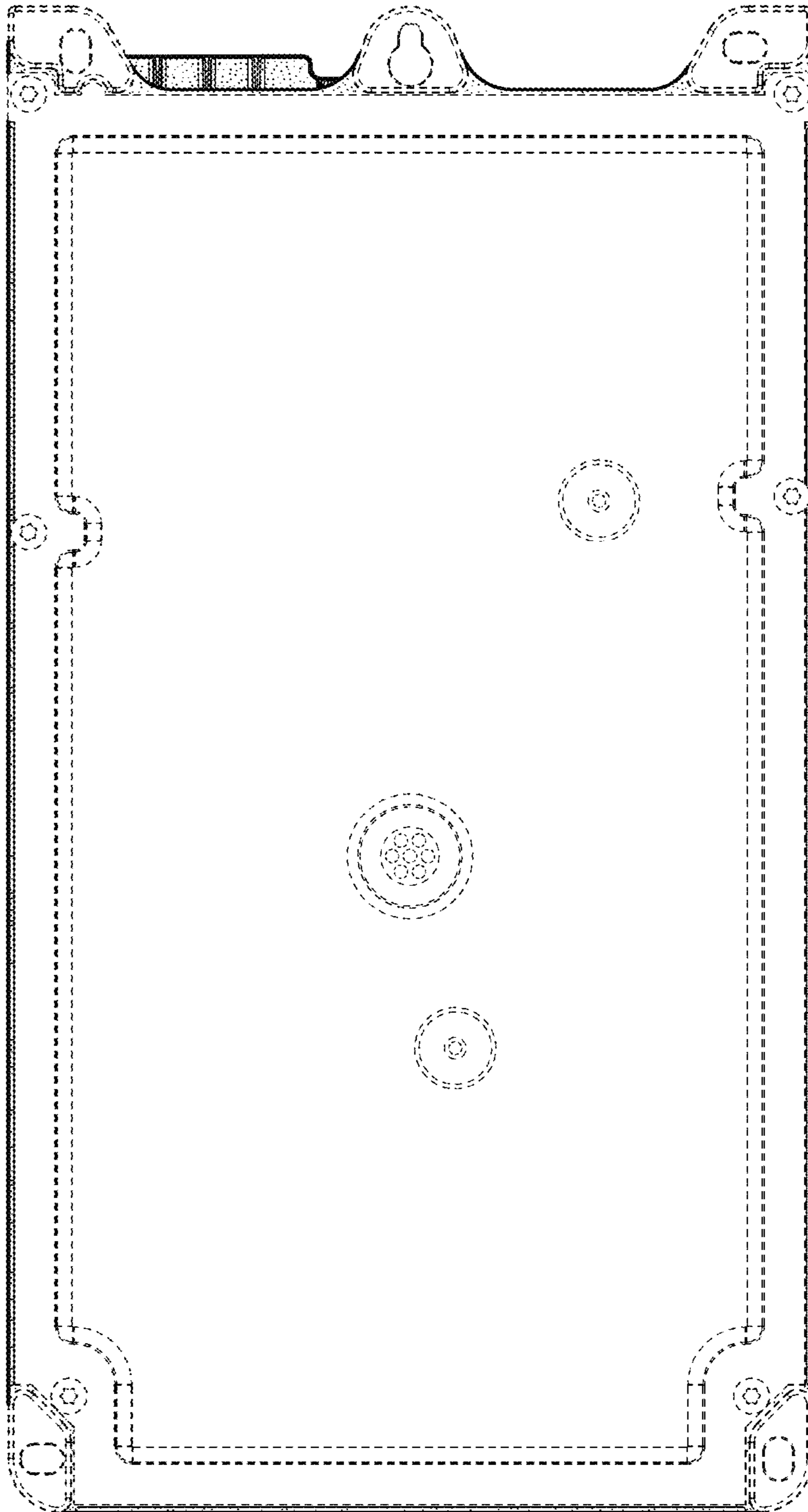
**FIG. 6**





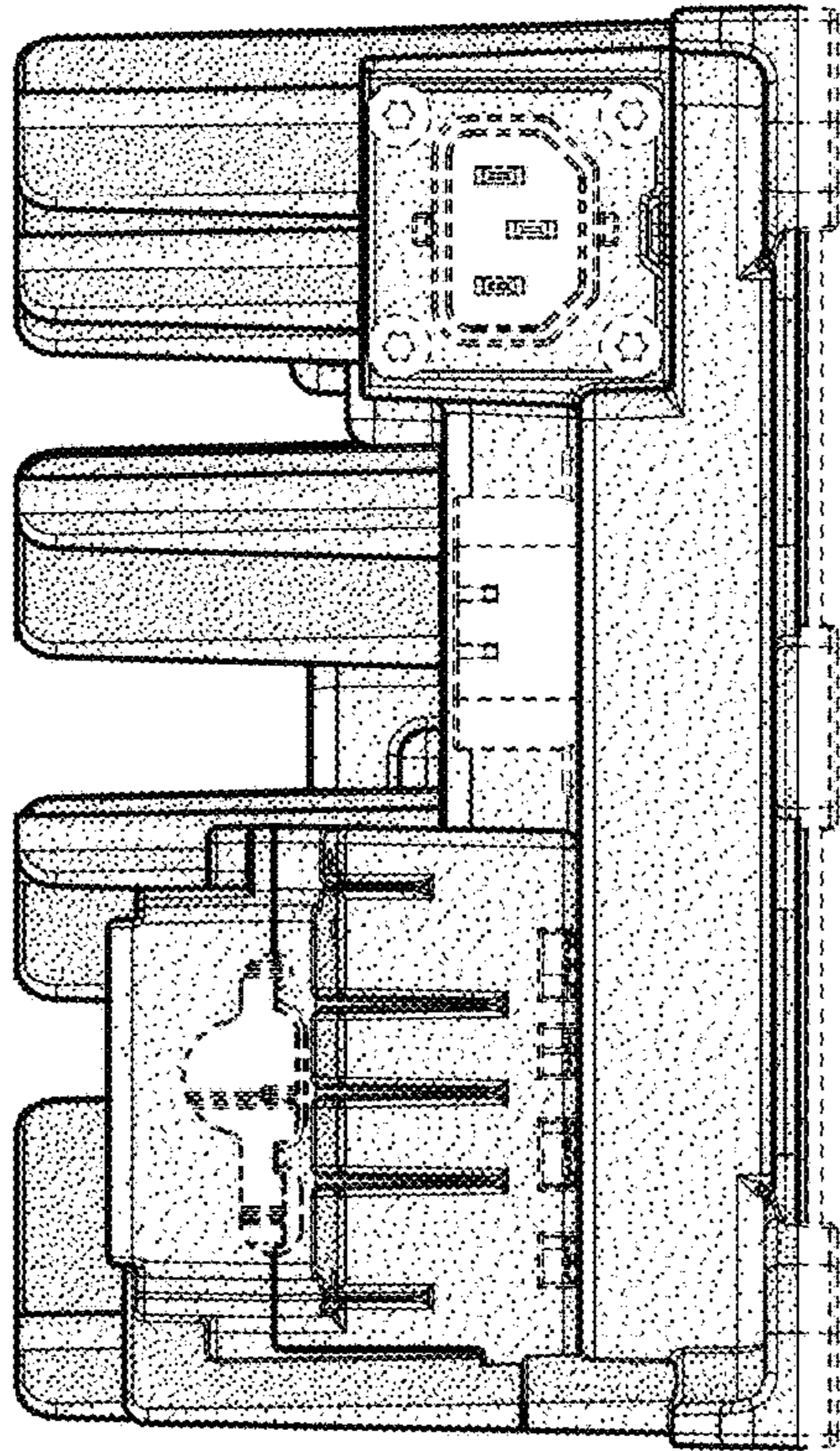
**FIG. 7**



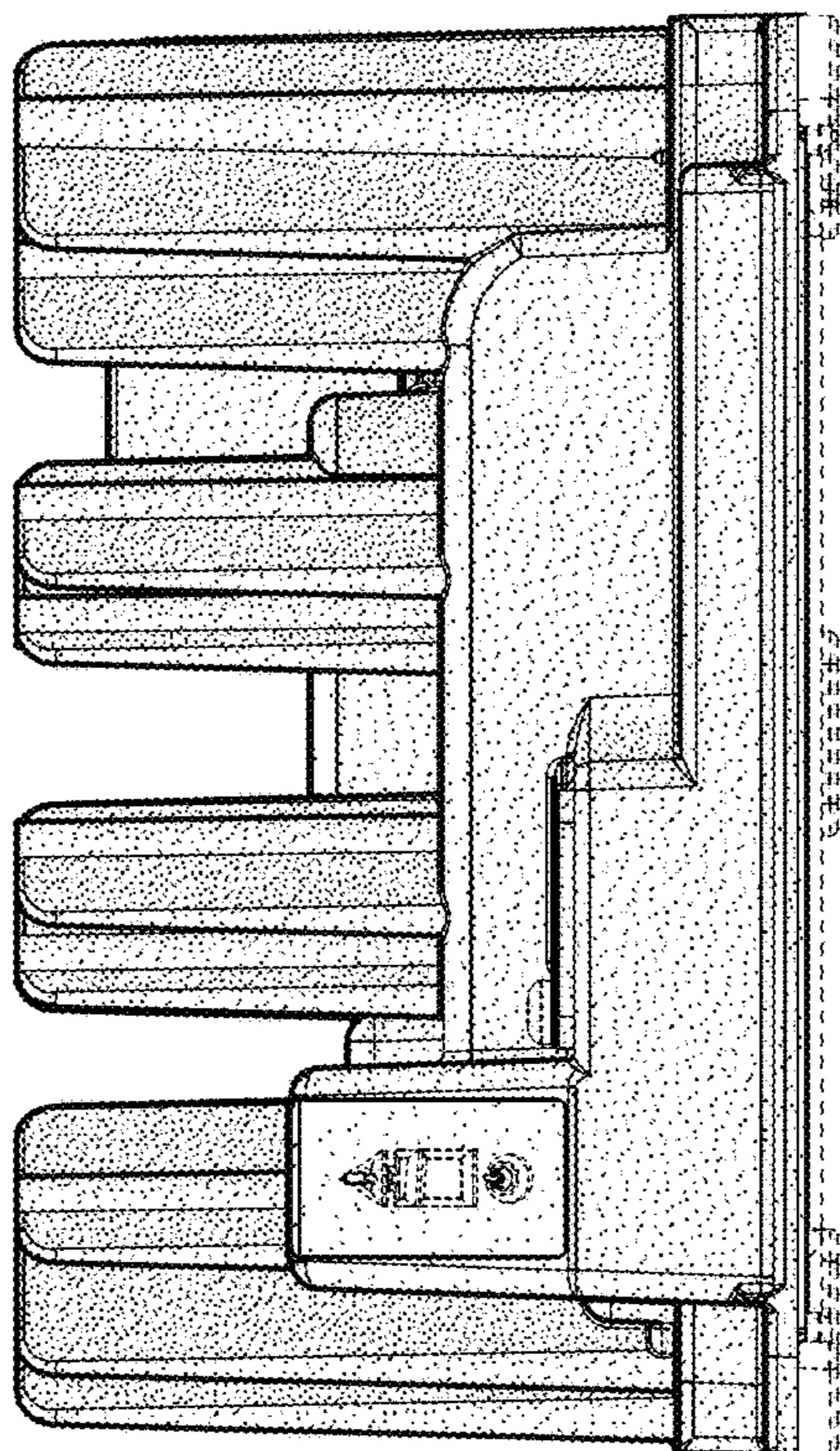


**FIG. 8**



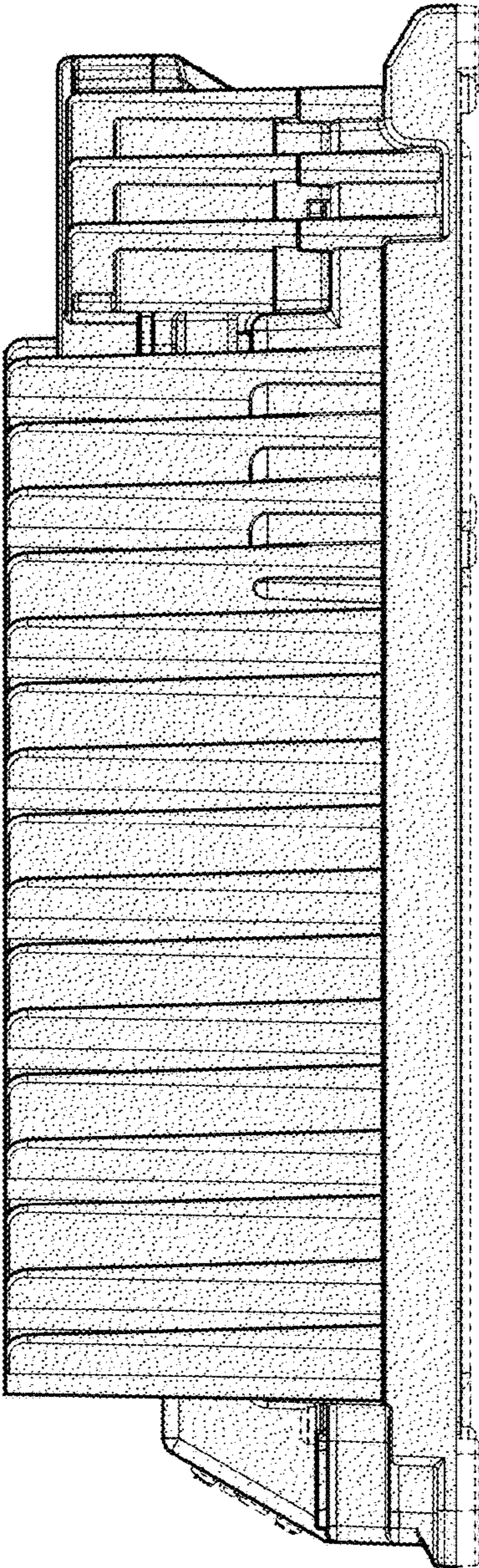


**FIG. 10**

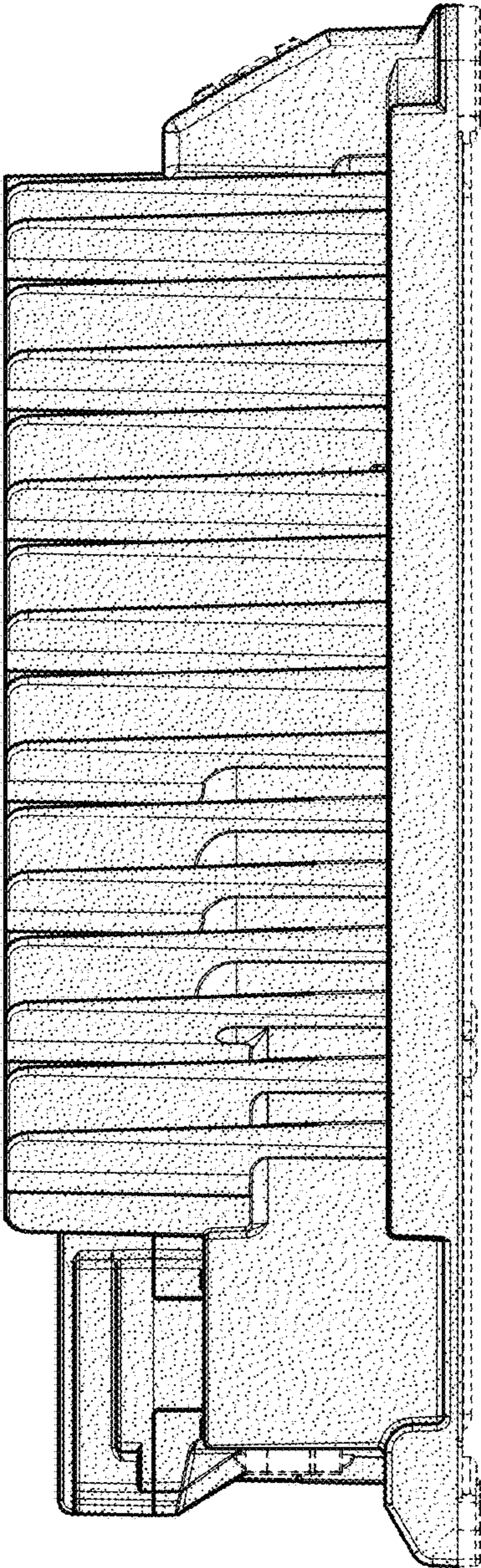


**FIG. 9**





**FIG. 11**



**FIG. 12**