



US00D829645S

(12) **United States Design Patent**  
**Morita**

(10) **Patent No.:** **US D829,645 S**  
(45) **Date of Patent:** **\*\* Oct. 2, 2018**

(54) **AUTOMOBILE TIRE**  
(71) Applicant: **THE YOKOHAMA RUBBER CO., LTD.**, Minato-ku, Tokyo (JP)  
(72) Inventor: **Kenichi Morita**, Hiratsuka (JP)  
(73) Assignee: **THE YOKOHAMA RUBBER CO., LTD.**, Minato-ku, Tokyo (JP)  
(\*\*) Term: **15 Years**

D683,303 S \* 5/2013 Ebiko ..... D12/605  
D740,747 S \* 10/2015 Sato ..... D12/605  
D754,595 S \* 4/2016 Tokizaki ..... D12/605  
D768,067 S \* 10/2016 Kuwano ..... D12/605  
D797,038 S \* 9/2017 Sekine ..... D12/605  
D800,646 S \* 10/2017 Sato ..... D12/605  
D801,263 S \* 10/2017 Sato ..... D12/605  
D806,642 S \* 1/2018 Kuwano ..... B60C 11/0309  
D12/605  
D807,814 S \* 1/2018 Yamakawa ..... B60C 13/02  
D12/604  
D813,150 S \* 3/2018 Schoeppner ..... D12/605  
(Continued)

(21) Appl. No.: **29/590,047**  
(22) Filed: **Jan. 6, 2017**

*Primary Examiner* — Robin Valery Webster  
*Assistant Examiner* — Rachel A Voorhies  
(74) *Attorney, Agent, or Firm* — Banner & Witcoff, Ltd.

(30) **Foreign Application Priority Data**

Jul. 8, 2016 (JP) ..... 2016-014607

(51) **LOC (11) Cl.** ..... **12-15**  
(52) **U.S. Cl.**  
USPC ..... **D12/605**

(57) **CLAIM**

The ornamental design for an automobile tire, as shown and described.

(58) **Field of Classification Search**  
USPC ..... D12/604–605, 500–501, 506, 534–538,  
D12/569–573, 900; D5/30; D7/396.4,  
D7/396.5  
CPC ..... B06C 13/00; B06C 1/00  
See application file for complete search history.

**DESCRIPTION**

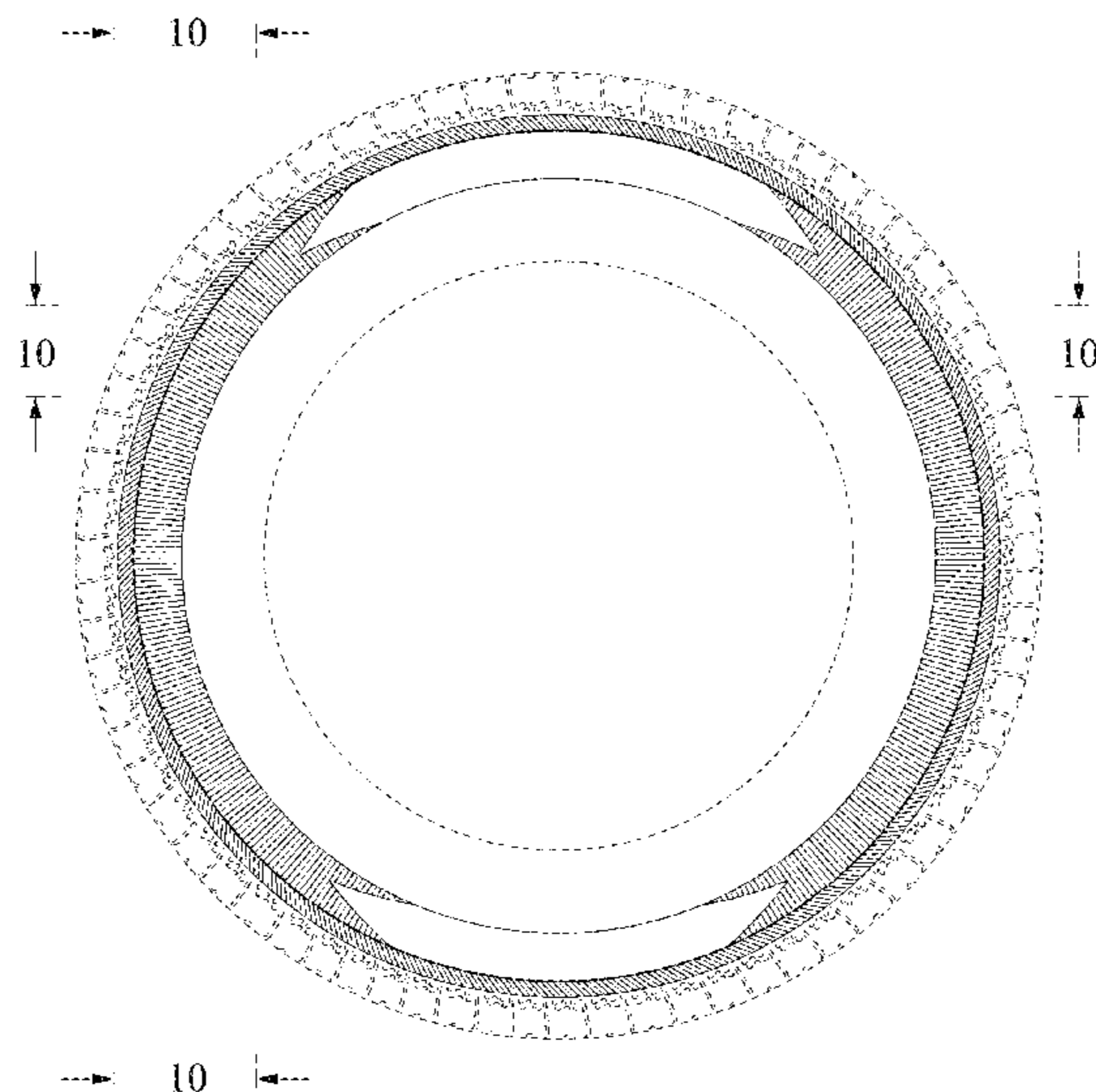
FIG. 1 is a front perspective view of an automobile tire showing my design;  
FIG. 2 is a rear perspective view thereof;  
FIG. 3 is a front view thereof;  
FIG. 4 is a rear view thereof;  
FIG. 5 is a right side view thereof;  
FIG. 6 is a left side view thereof;  
FIG. 7 is a top view thereof;  
FIG. 8 is a bottom view thereof;  
FIG. 9 is a partially enlarged view of a portion defined by lines 9-9 shown in FIG. 1;  
FIG. 10 is a partially enlarged view of a portion defined by lines 10-10 shown in FIG. 3; and,  
FIG. 11 is a cross sectional view of a portion defined by lines 11-11 shown in FIG. 10.  
In the drawings, the broken lines depict environmental subject matter only and form no part of the claimed design.

(56) **References Cited**

**U.S. PATENT DOCUMENTS**

D182,576 S \* 4/1958 Ellies ..... D12/501  
D568,236 S \* 5/2008 Holden ..... D12/605  
D585,018 S \* 1/2009 Shondel ..... D12/605  
D588,529 S \* 3/2009 Reese ..... D12/605  
D622,210 S \* 8/2010 Raatikainen ..... D12/521  
D649,111 S \* 11/2011 Tokizaki ..... D12/605  
D656,089 S \* 3/2012 Miyazaki ..... D12/605  
D660,785 S \* 5/2012 Tokizaki ..... D12/605  
D680,490 S \* 4/2013 Iwabuchi ..... D12/605  
D682,191 S \* 5/2013 Ebiko ..... D12/605

**1 Claim, 11 Drawing Sheets**



(56)

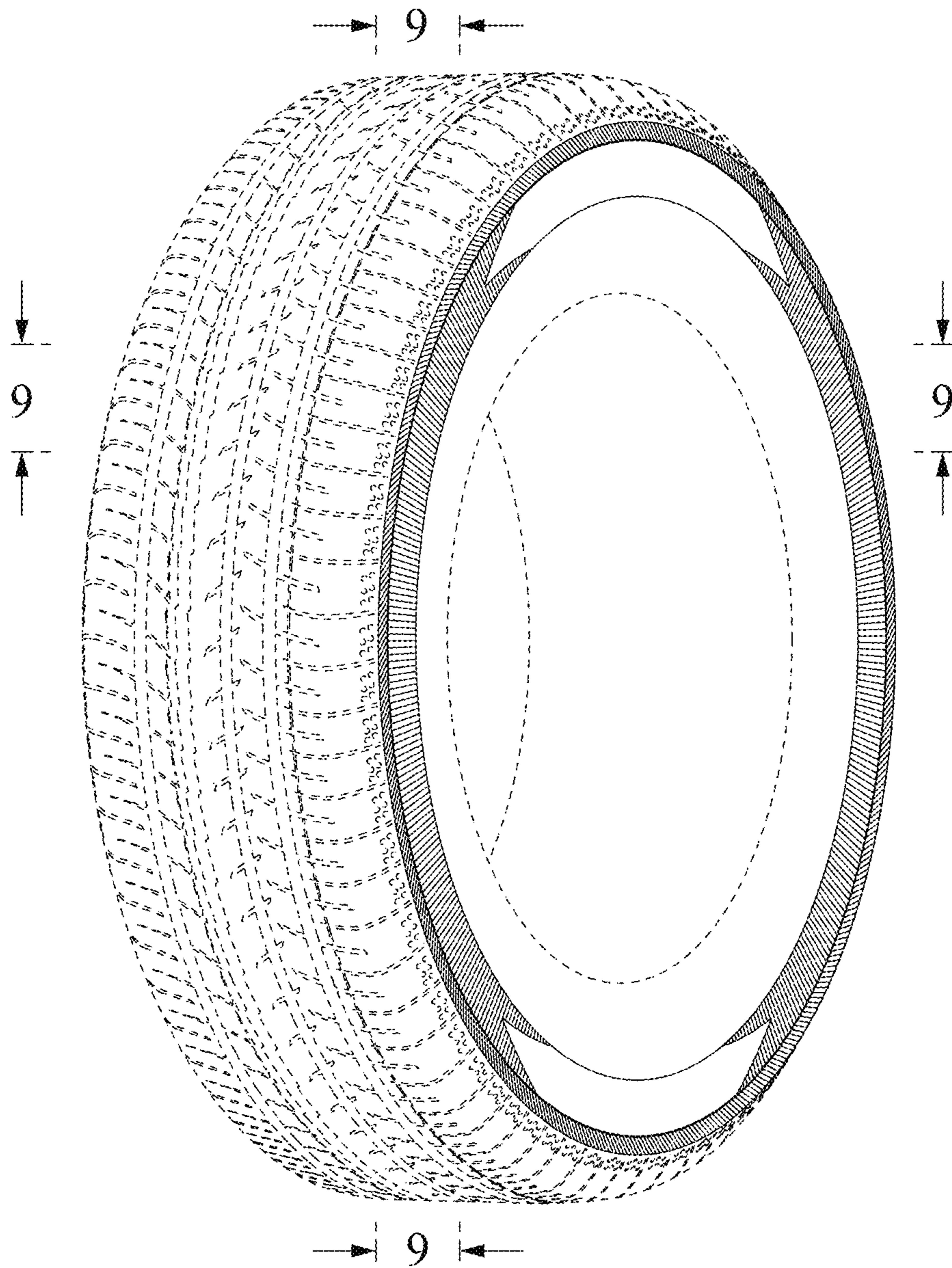
**References Cited**

U.S. PATENT DOCUMENTS

2012/0118466 A1\* 5/2012 Ebiko ..... B60C 13/02  
152/523  
2012/0132333 A1\* 5/2012 Ebiko ..... B60C 11/0309  
152/209.8

\* cited by examiner

**FIG. 1**



**FIG. 2**

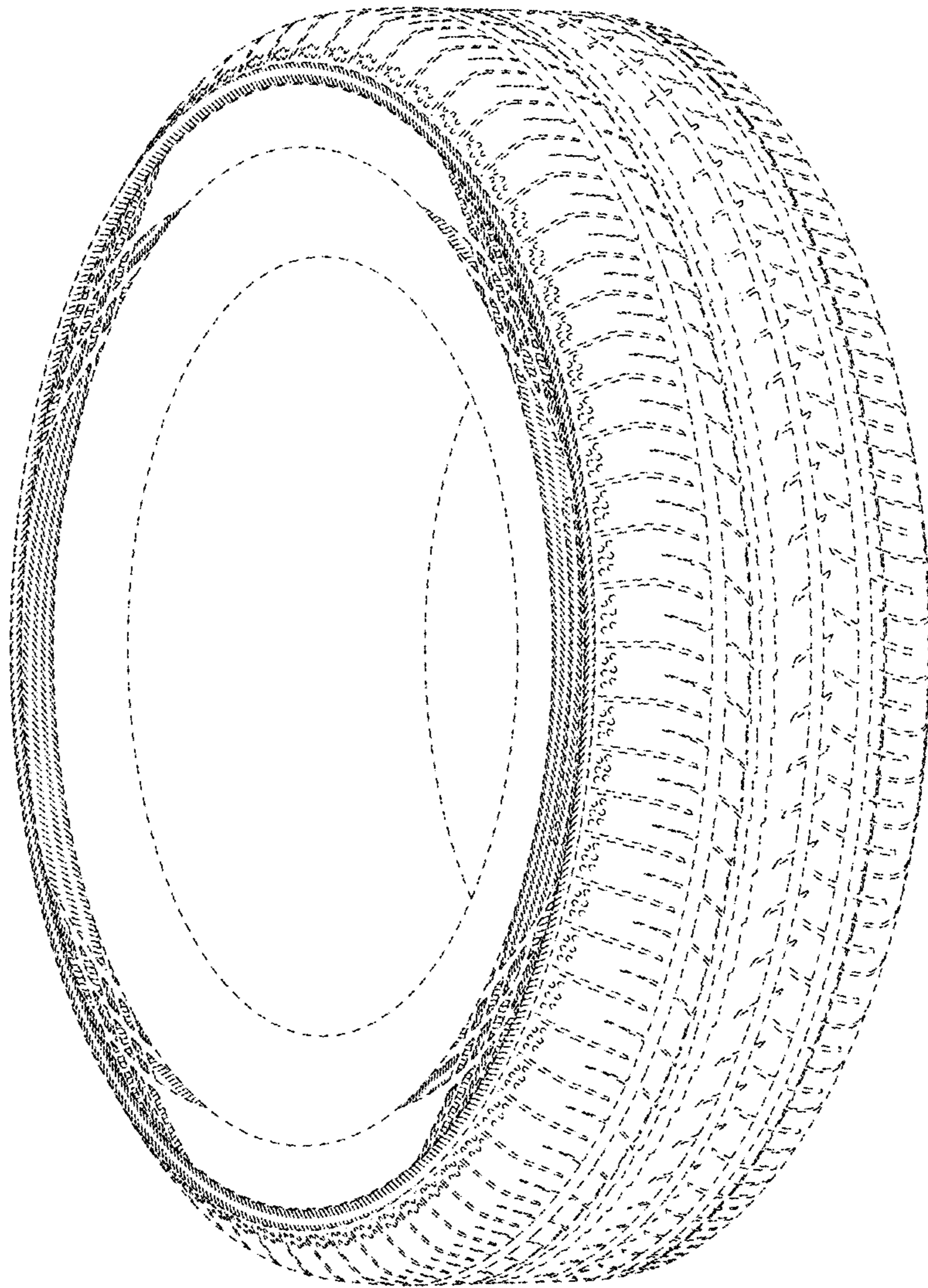
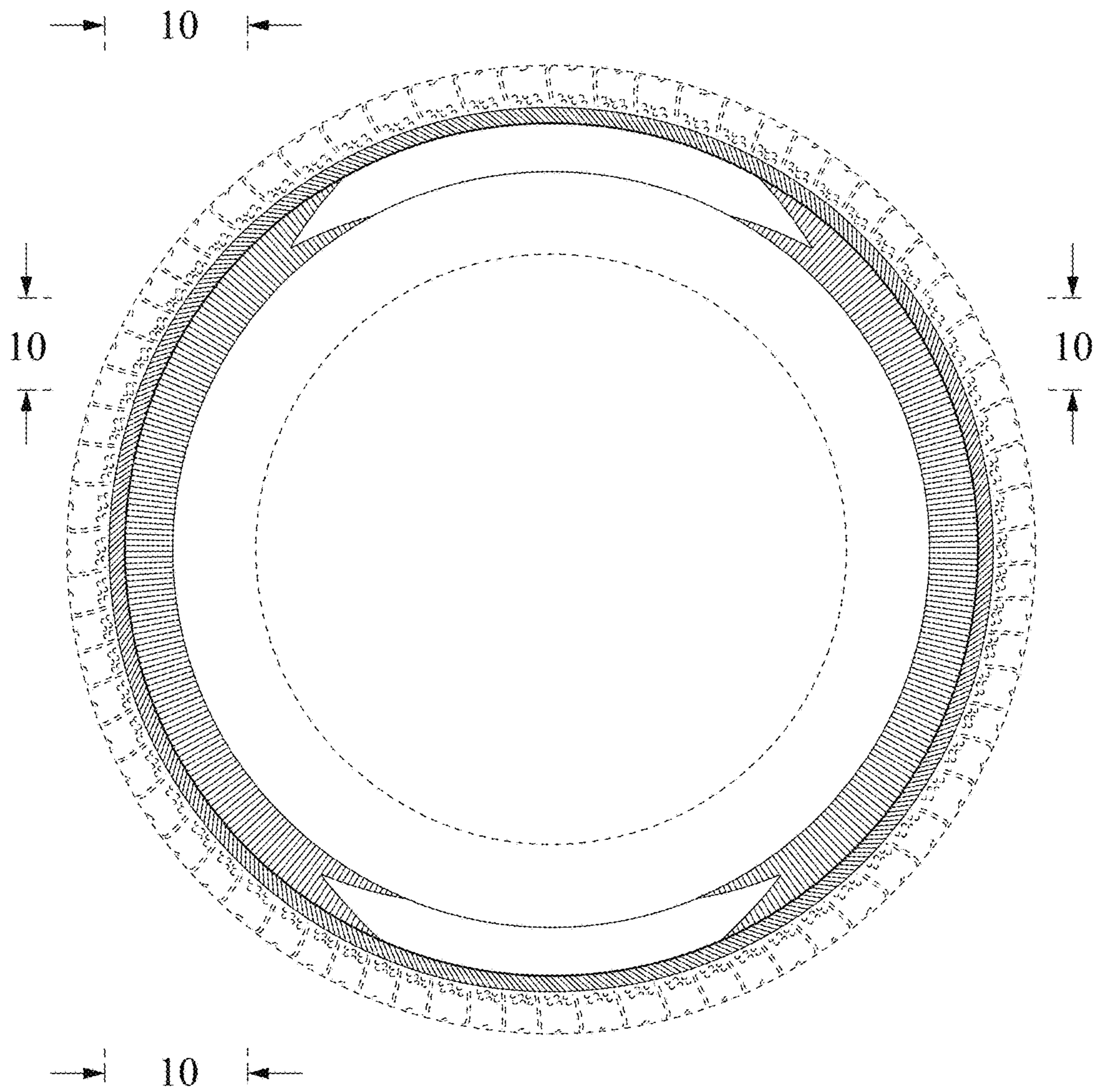
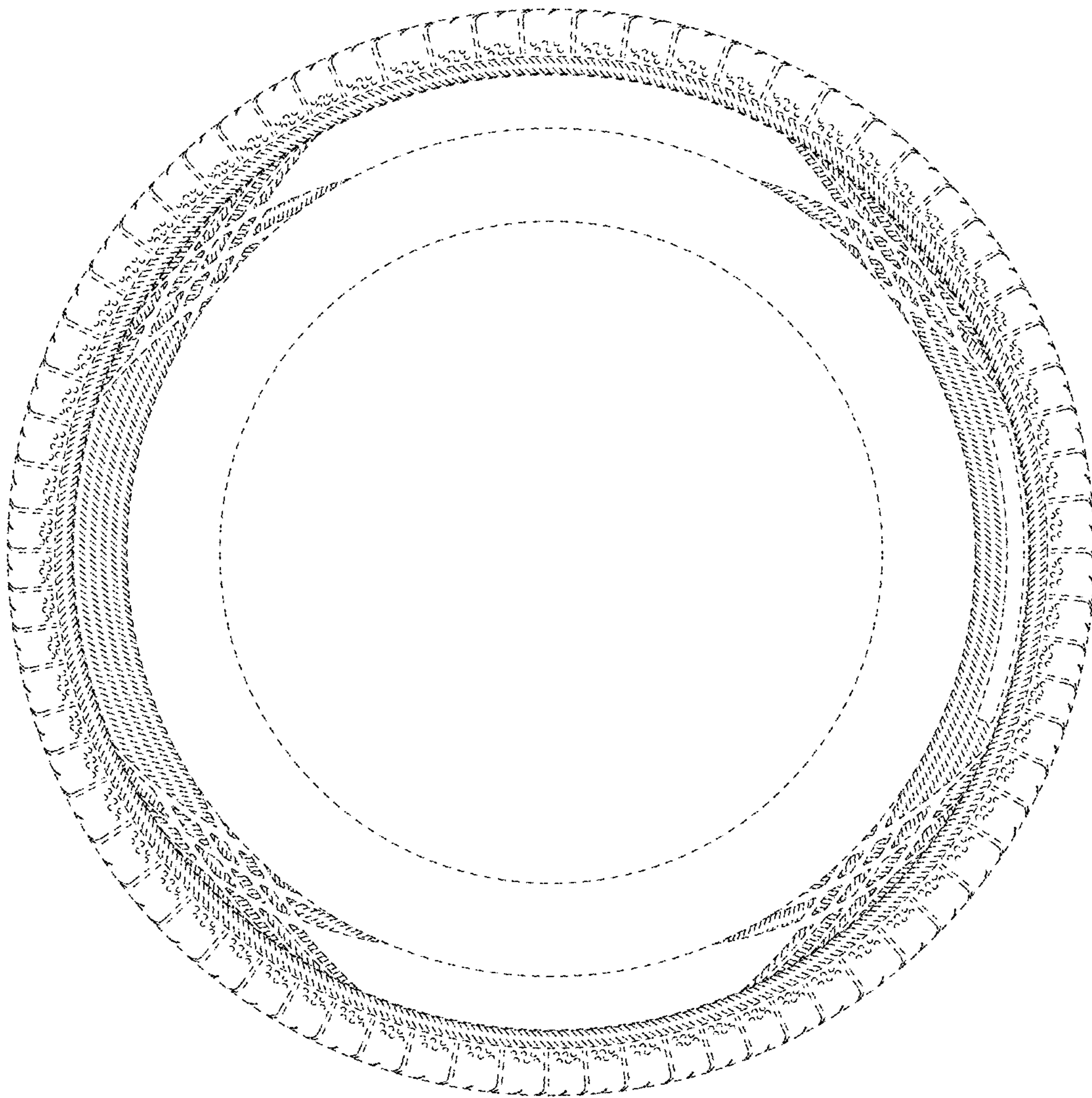


FIG. 3



**FIG. 4**



**FIG. 5**

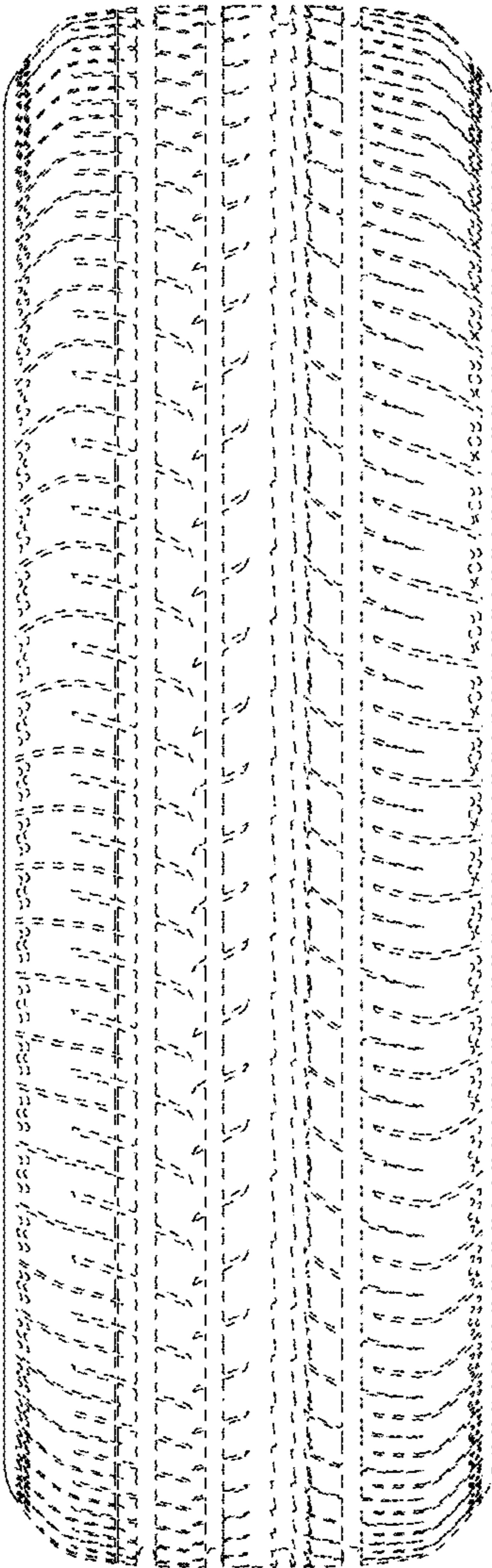
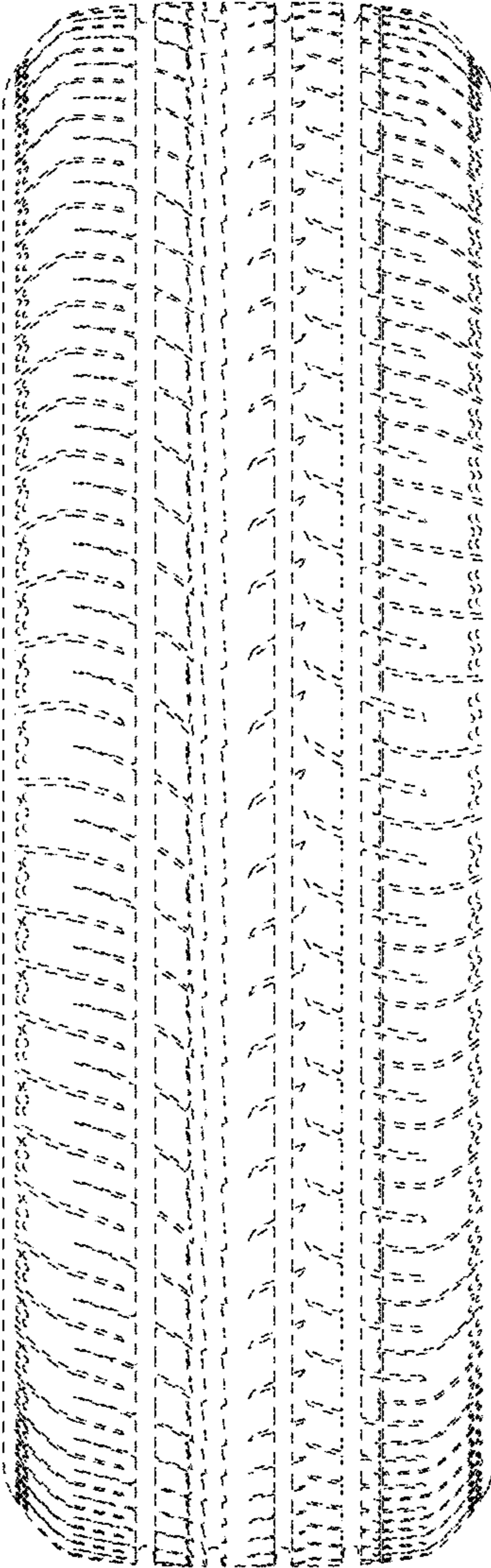
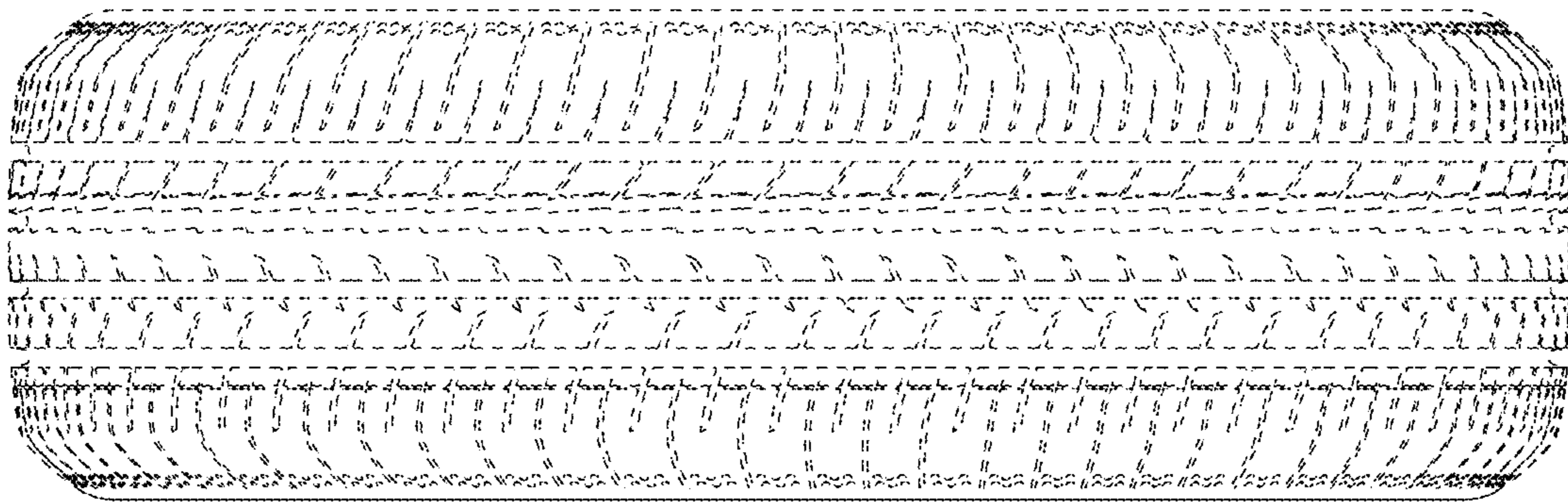


FIG. 6

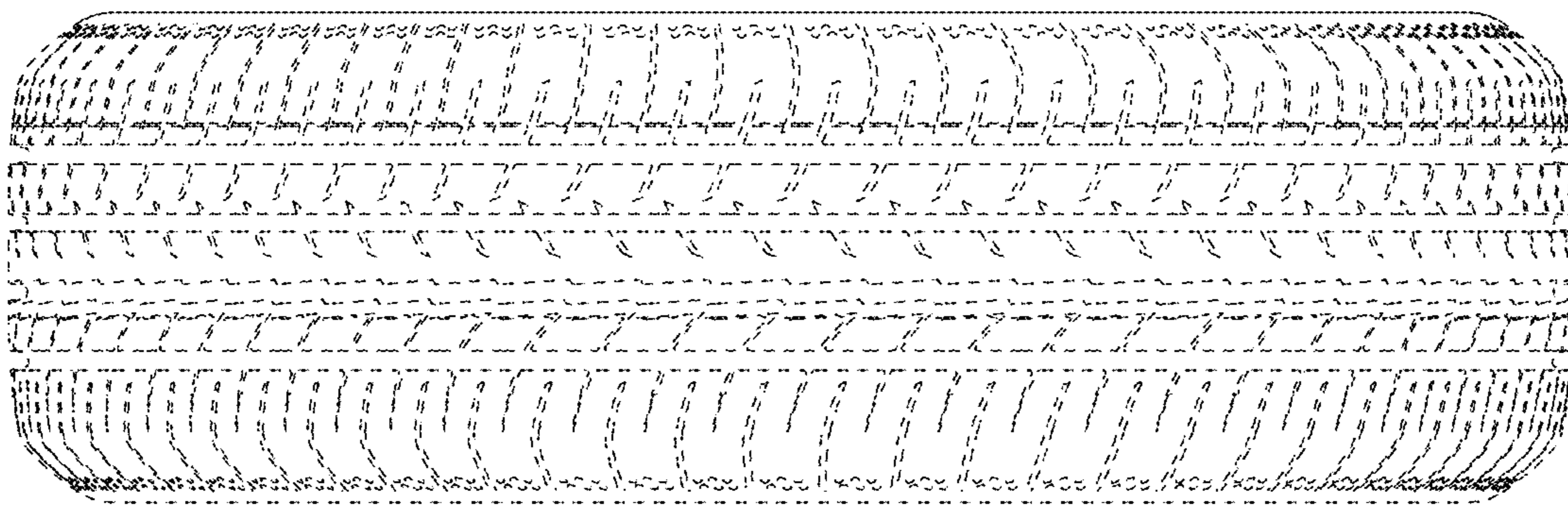




**FIG. 7**



**FIG. 8**



**FIG. 9**

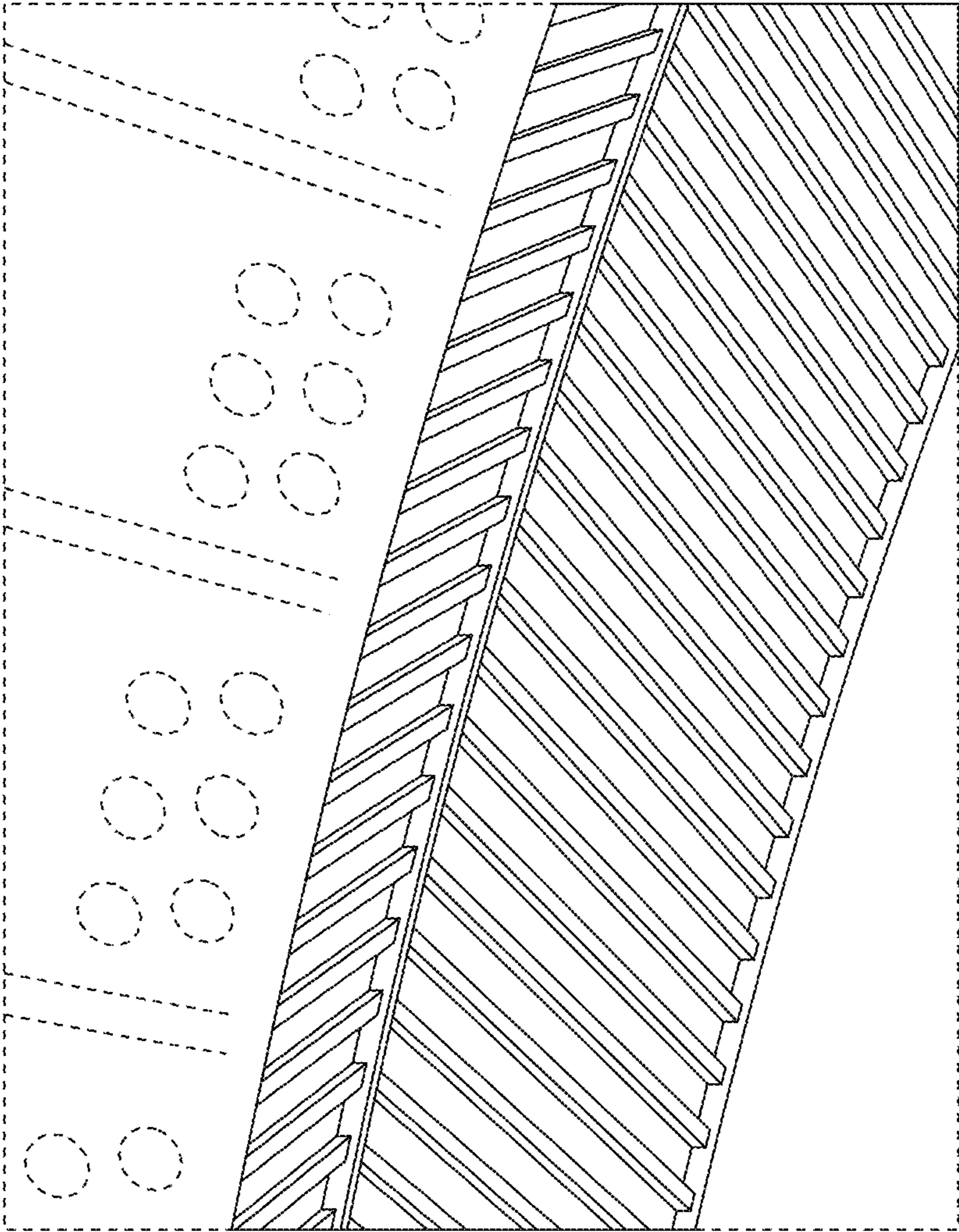
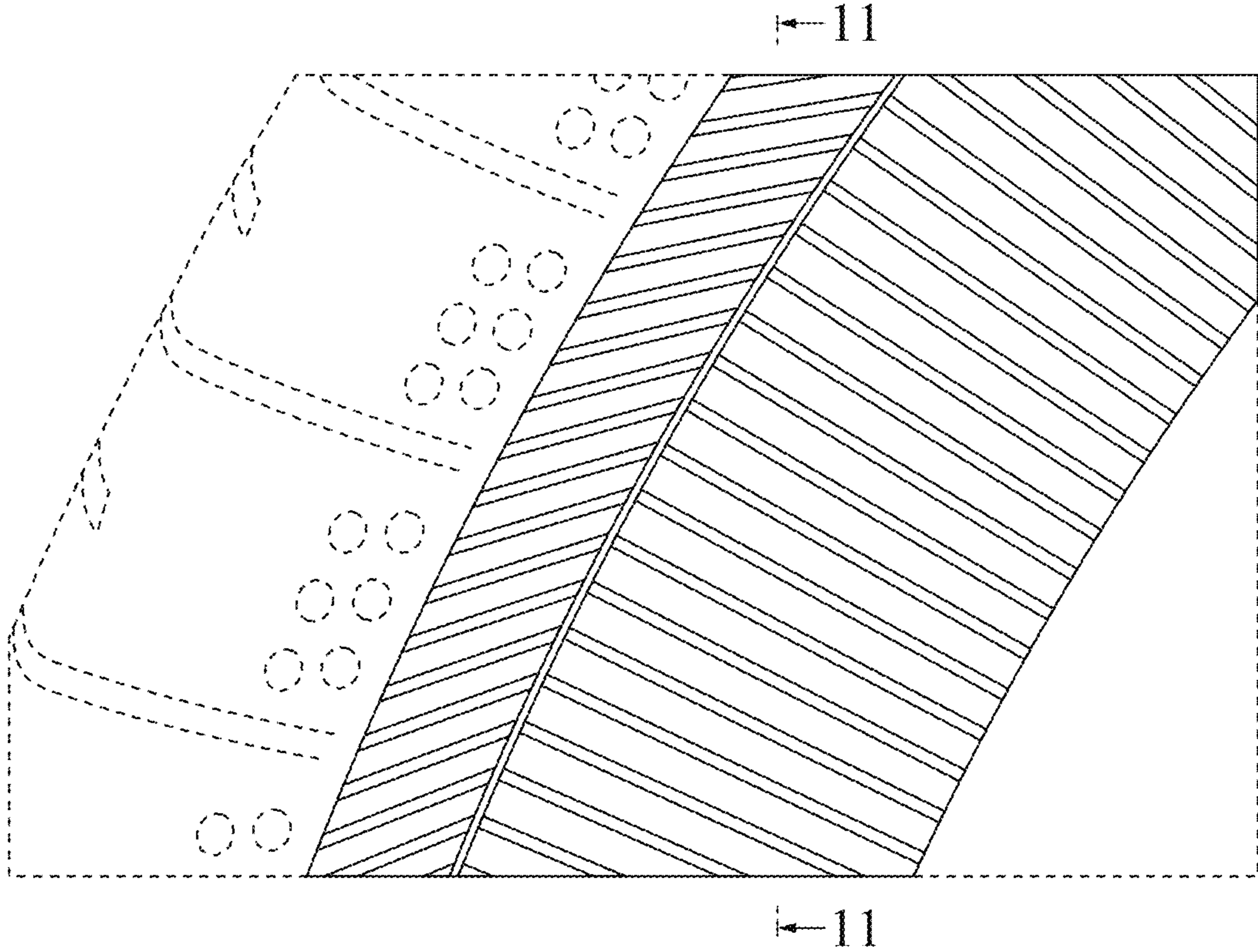


FIG. 10



**FIG. 11**

