



US00D829644S

(12) **United States Design Patent** (10) **Patent No.:** **US D829,644 S**
Morita (45) **Date of Patent:** **** Oct. 2, 2018**

(54) **AUTOMOBILE TIRE**
(71) Applicant: **THE YOKOHAMA RUBBER CO., LTD.**, Minato-ku, Tokyo (JP)
(72) Inventor: **Kenichi Morita**, Hiratsuka (JP)
(73) Assignee: **THE YOKOHAMA RUBBER CO., LTD.**, Minato-ku, Tokyo (JP)

(**) Term: **15 Years**
(21) Appl. No.: **29/590,037**
(22) Filed: **Jan. 6, 2017**

(30) **Foreign Application Priority Data**
Jul. 8, 2016 (JP) 2016-014606
(51) **LOC (11) Cl.** **12-15**
(52) **U.S. Cl.**
USPC **D12/605**
(58) **Field of Classification Search**
USPC D12/604-605, 500-501, 506, 534-538,
D12/569-573, 900; D5/30; D7/396.4,
D7/396.5
CPC B06C 13/00; B06C 1/00
See application file for complete search history.

(56) **References Cited**
U.S. PATENT DOCUMENTS
D336,627 S * 6/1993 Hirose D12/534
D568,236 S * 5/2008 Holden D12/605
D569,792 S * 5/2008 Holden D12/605
D585,018 S * 1/2009 Shondel D12/605
D622,210 S * 8/2010 Raatikainen D12/521
D649,111 S * 11/2011 Tokizaki D12/605
D656,089 S * 3/2012 Miyazaki D12/605
D670,644 S * 11/2012 Miyazaki D12/605

D680,490 S * 4/2013 Iwabuchi D12/605
D711,816 S * 8/2014 Iwabuchi D12/605
D768,067 S * 10/2016 Kuwano D12/605
D791,068 S * 7/2017 Ishikawa D12/605
D791,694 S * 7/2017 Sato D12/605
D792,340 S * 7/2017 Iwabuchi D12/605
D797,038 S * 9/2017 Sekine D12/605
D800,646 S * 10/2017 Sato D12/605
D813,150 S * 3/2018 Schoeppner D12/605

* cited by examiner
Primary Examiner — Robin Valery Webster
Assistant Examiner — Rachel A Voorhies
(74) *Attorney, Agent, or Firm* — Banner & Witcoff, Ltd.

(57) **CLAIM**
The ornamental design for an automobile tire, as shown and described.

DESCRIPTION
FIG. 1 is a front perspective view of an automobile tire showing my design;
FIG. 2 is a rear perspective view thereof;
FIG. 3 is a front view thereof;
FIG. 4 is a rear view thereof;
FIG. 5 is a right side view thereof;
FIG. 6 is a left side view thereof;
FIG. 7 is a top view thereof;
FIG. 8 is a bottom view thereof;
FIG. 9 is a partially enlarged view of a portion defined by lines 9-9 shown in FIG. 1;
FIG. 10 is a partially enlarged view of a portion defined by lines 10-10 shown in FIG. 3; and,
FIG. 11 is a cross sectional view of a portion defined by lines 11-11 shown in FIG. 10.
In the drawings, the broken lines depict environmental subject matter only and form no part of the claimed design.

1 Claim, 11 Drawing Sheets

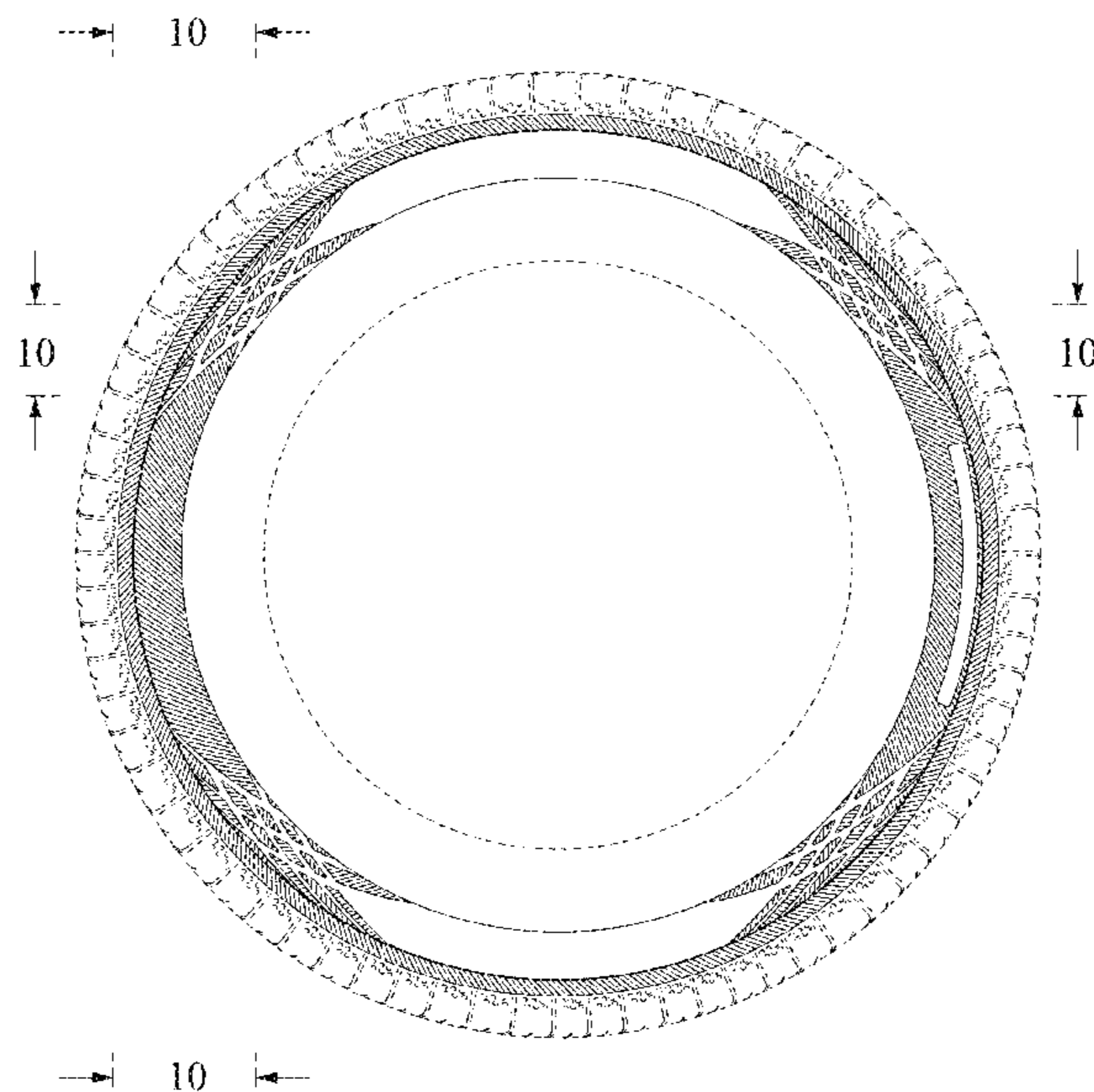


FIG. 1

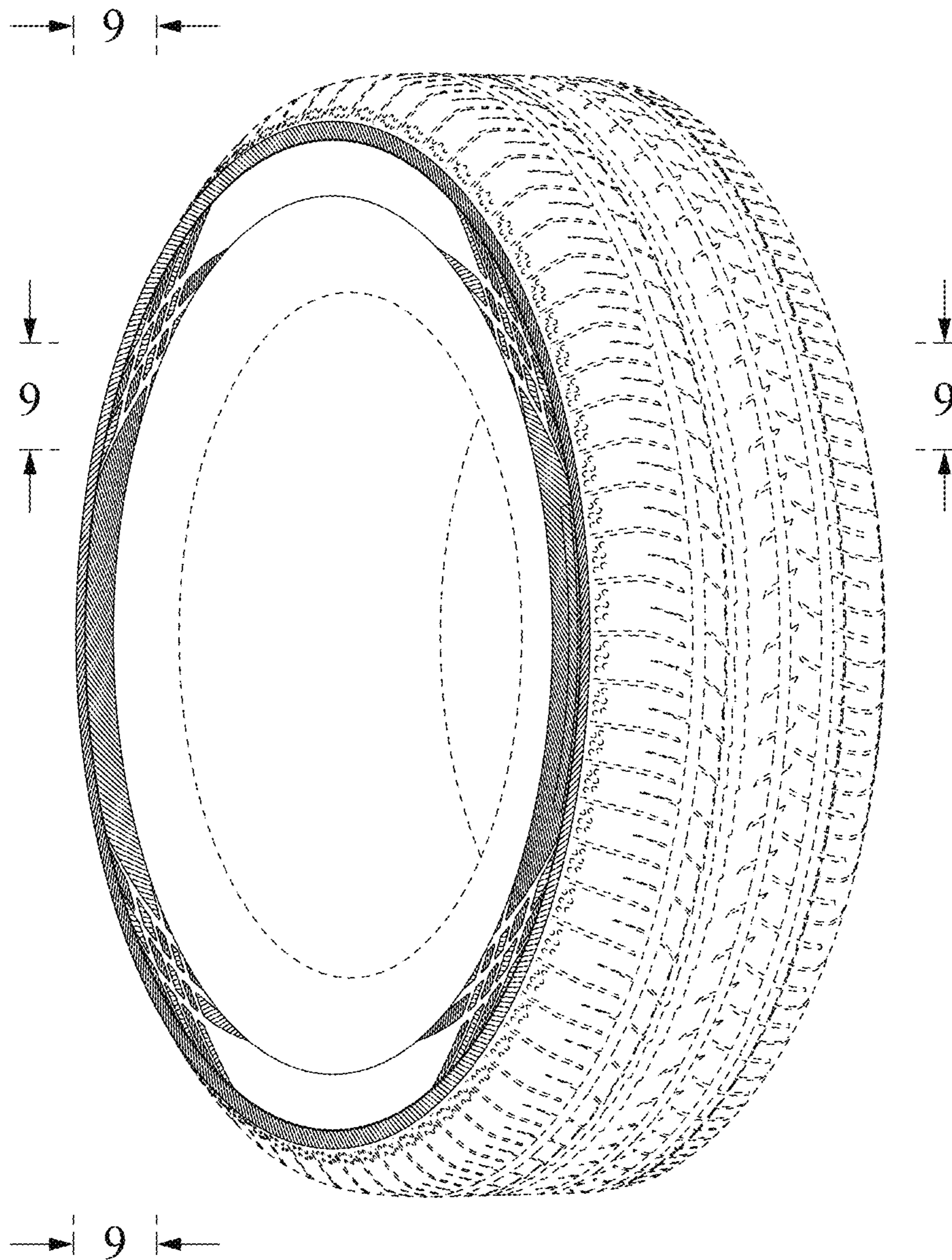


FIG. 2

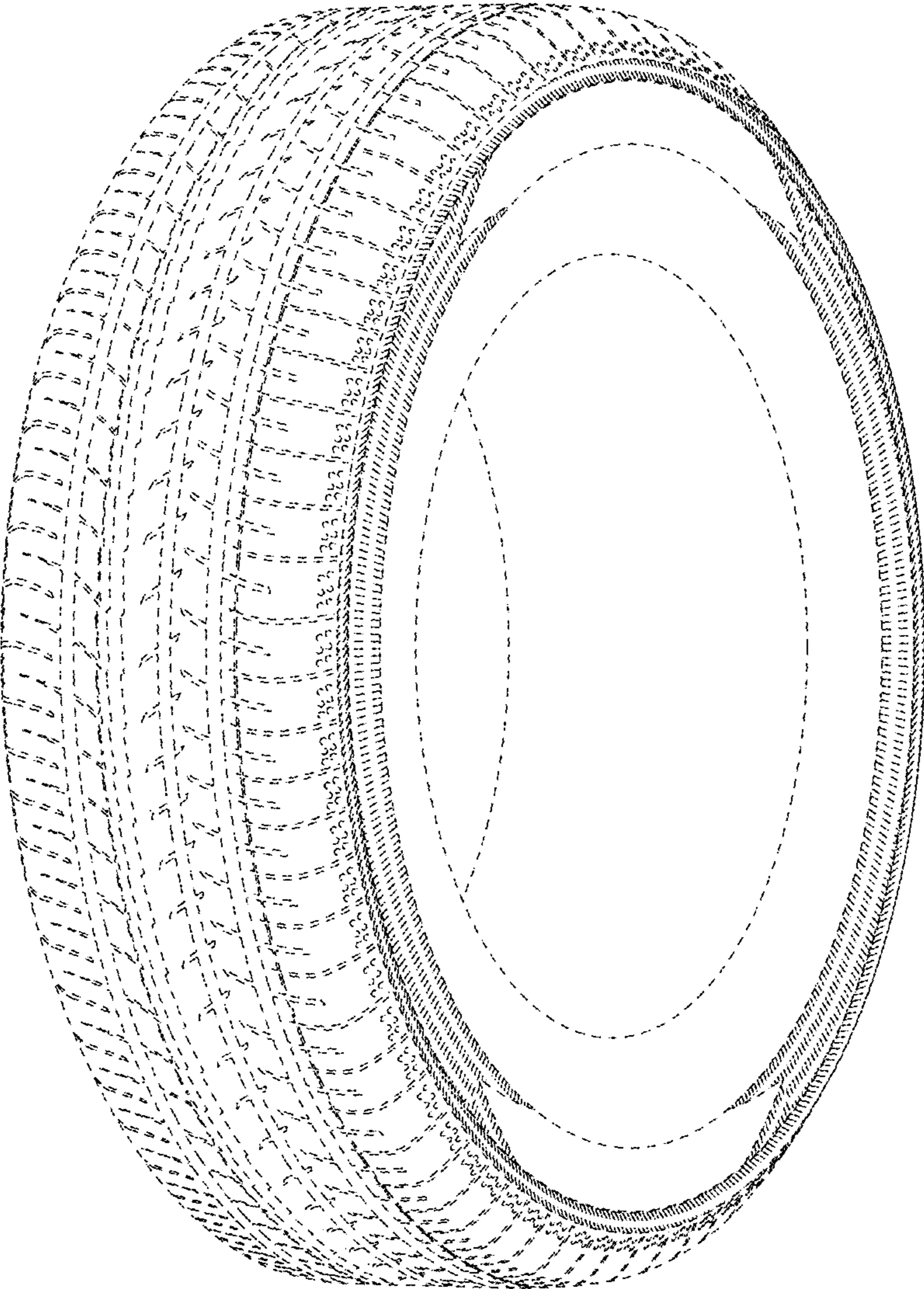


FIG. 3

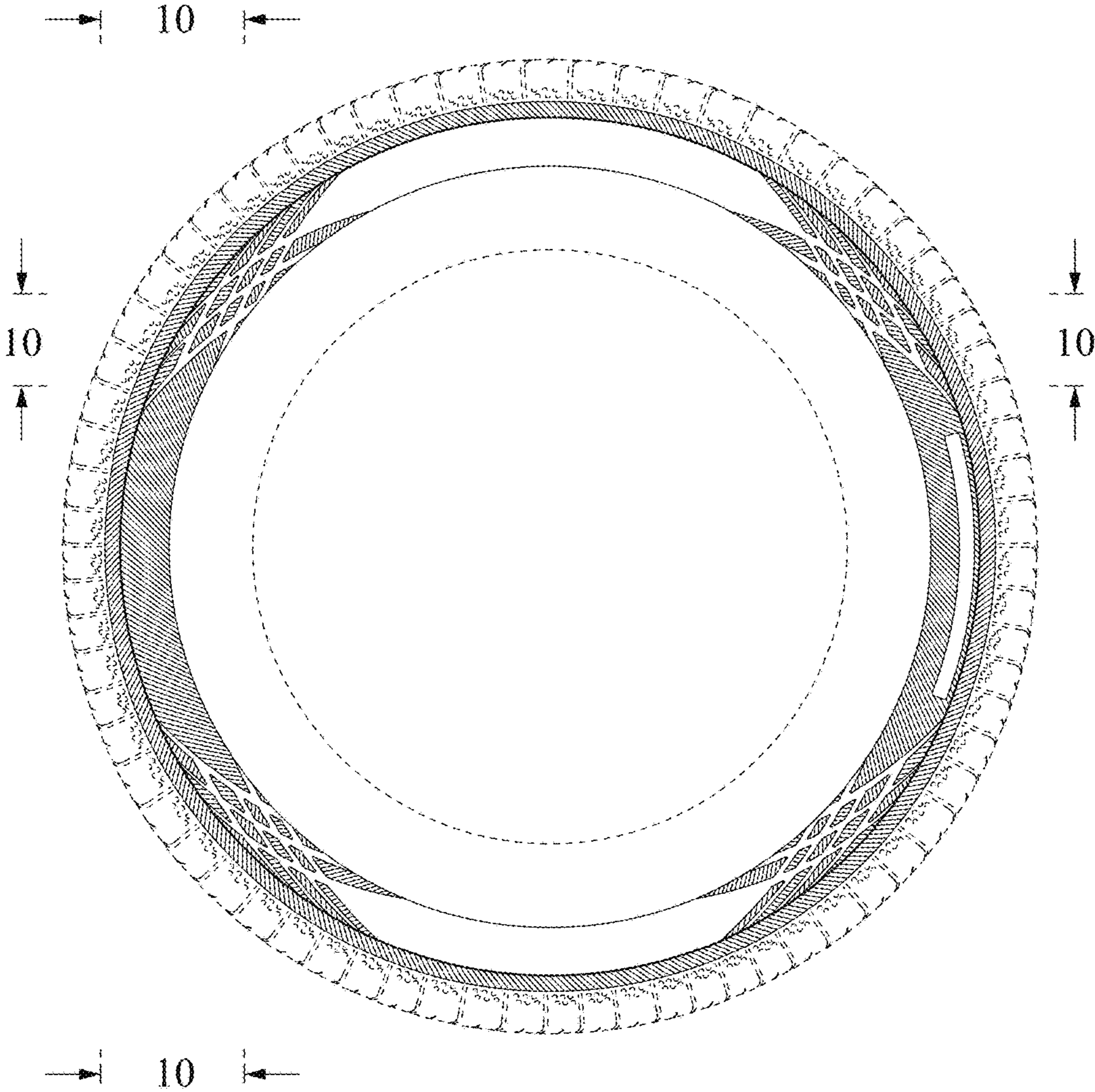


FIG. 4

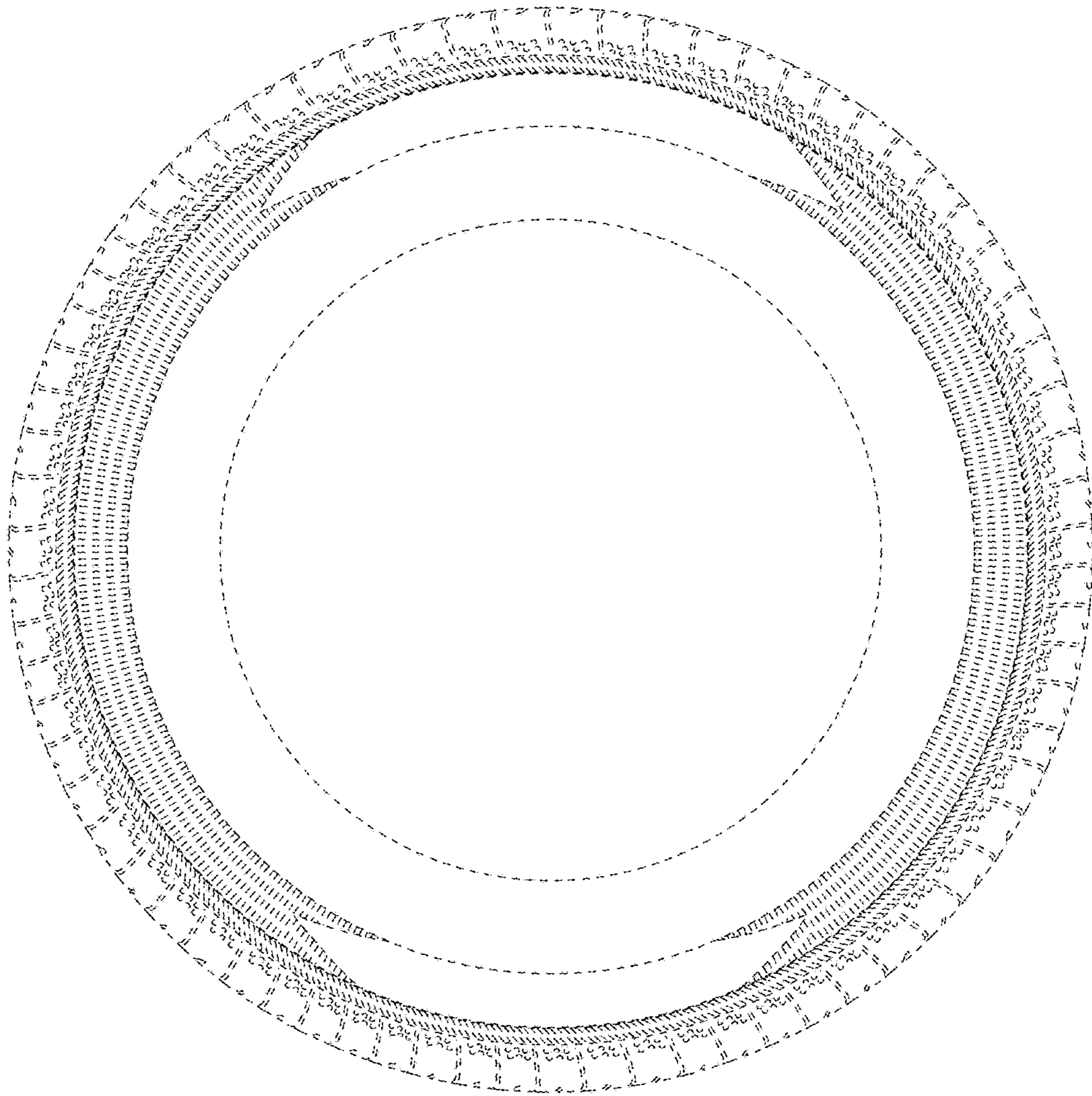


FIG. 5

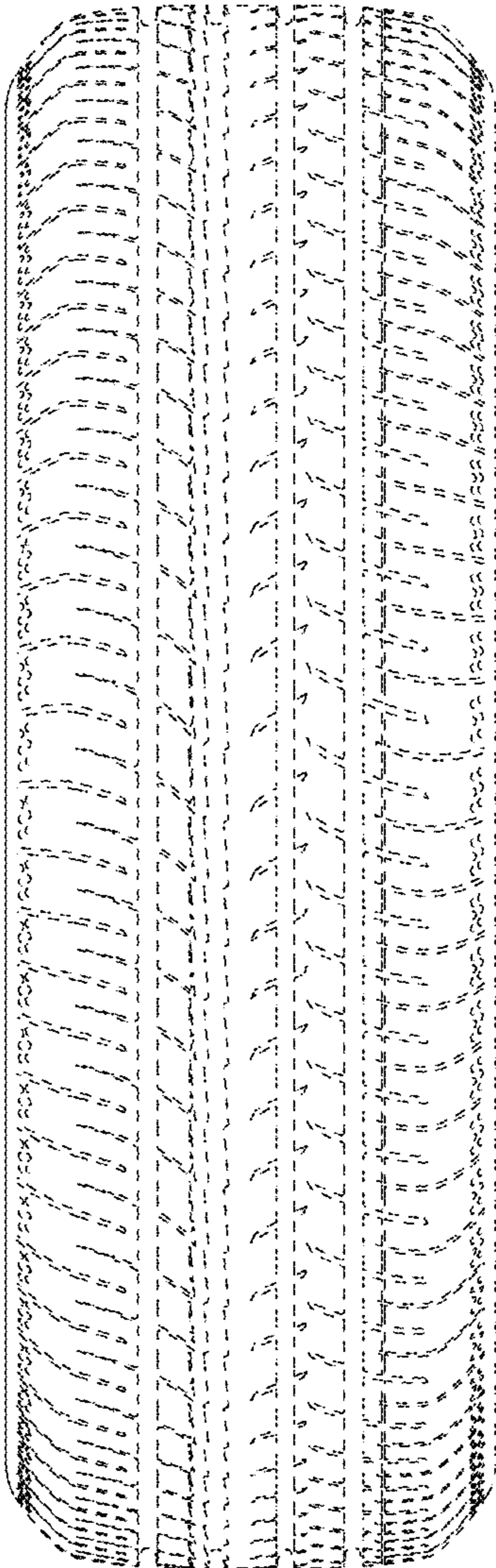


FIG. 6

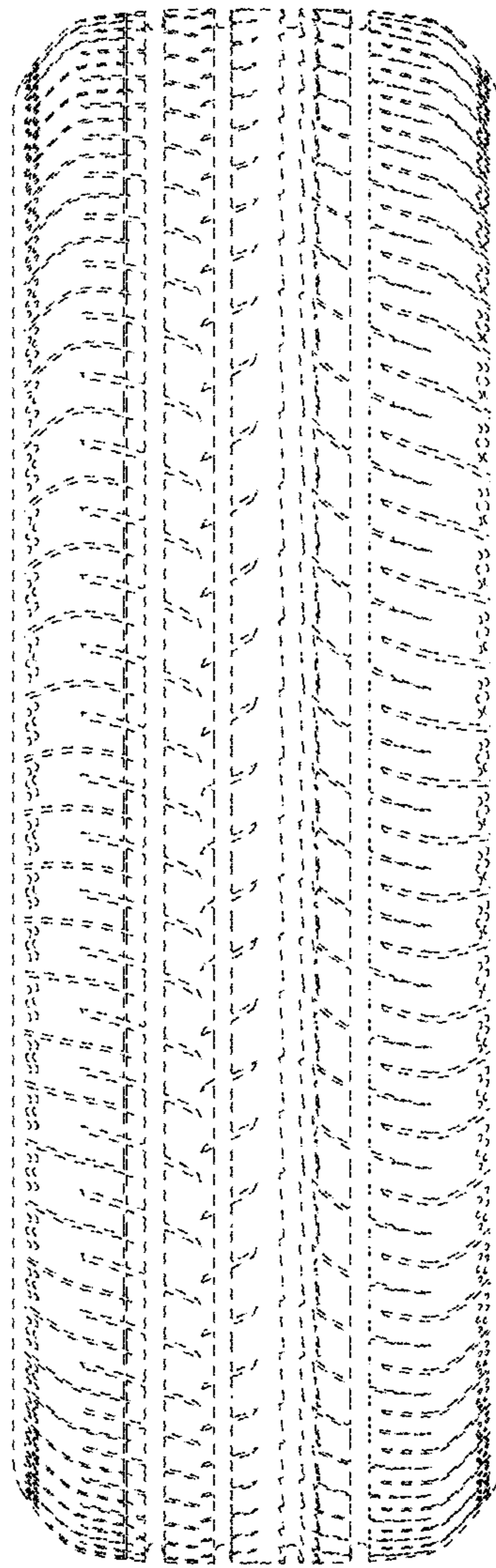


FIG. 7

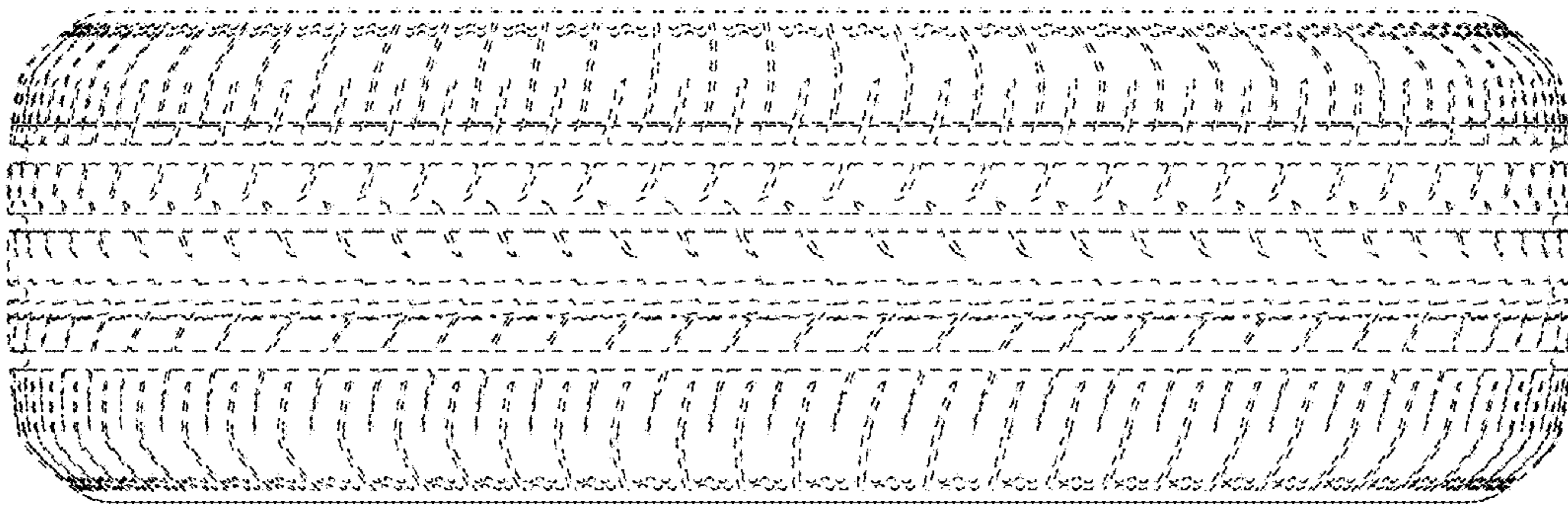


FIG. 8

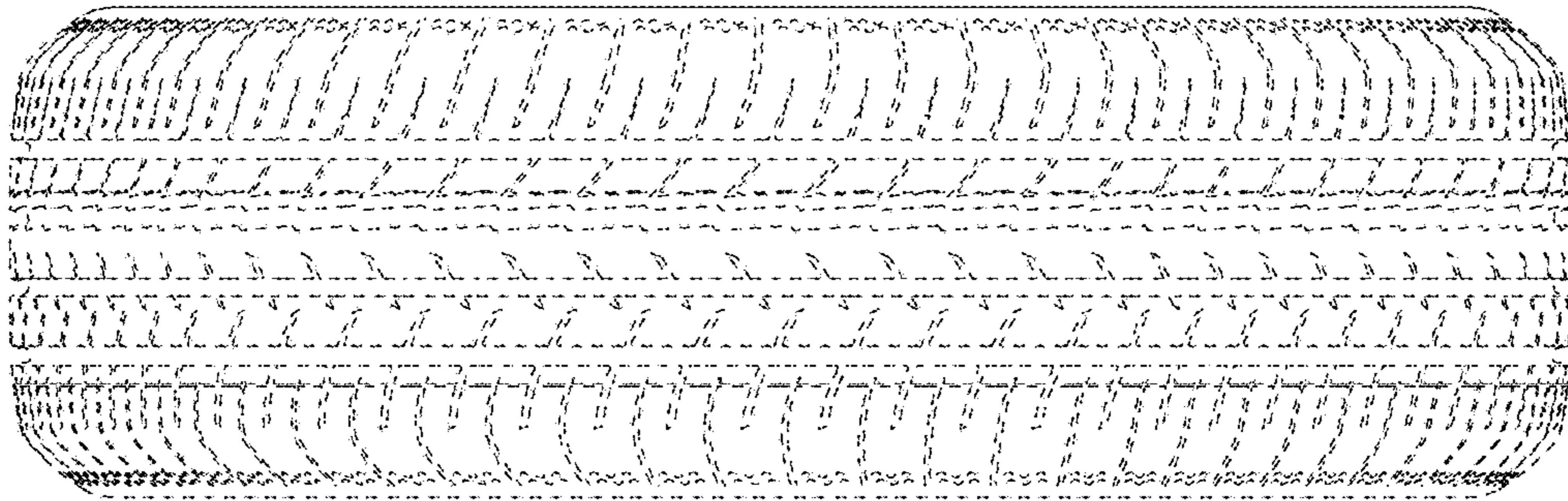


FIG. 9

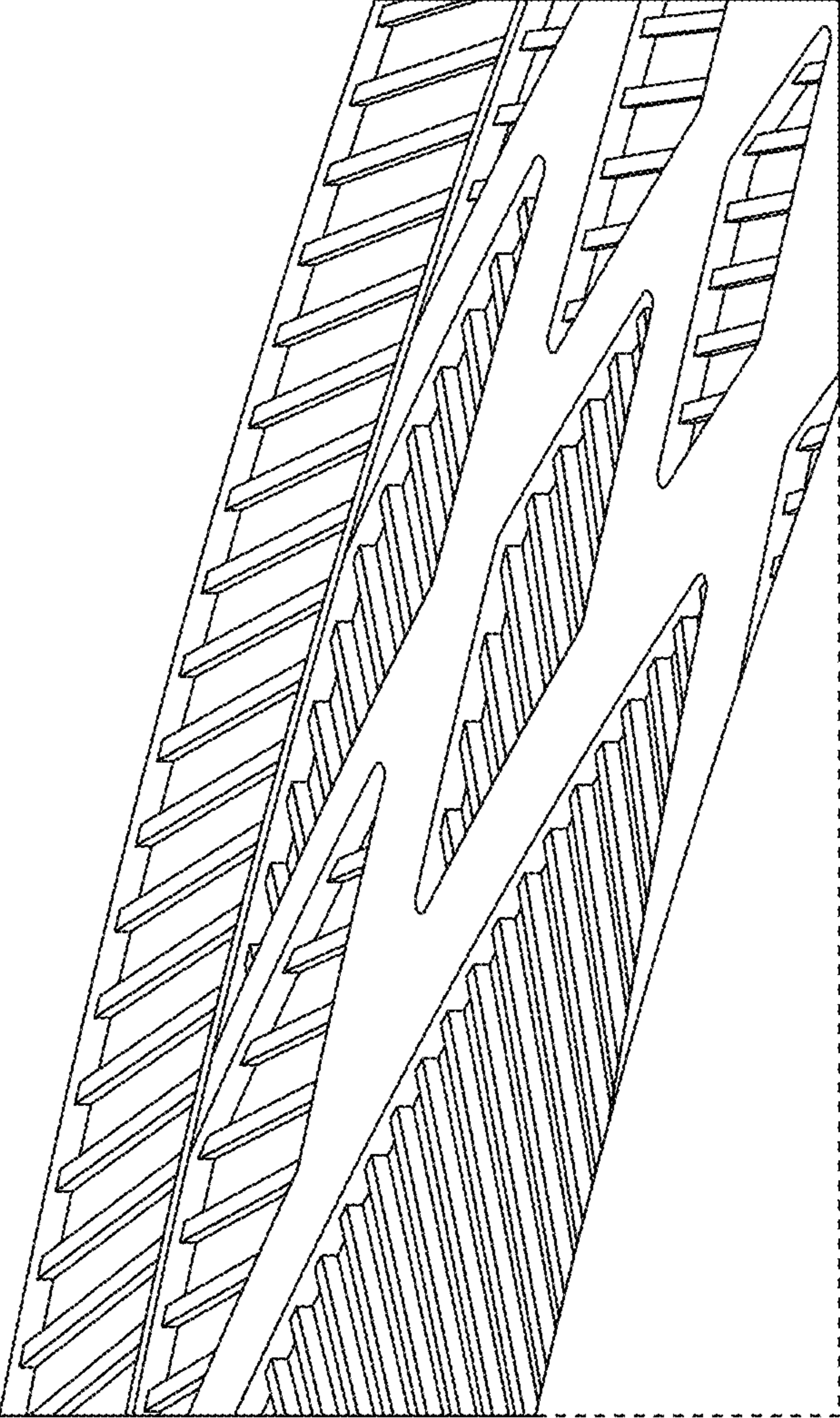


FIG. 10

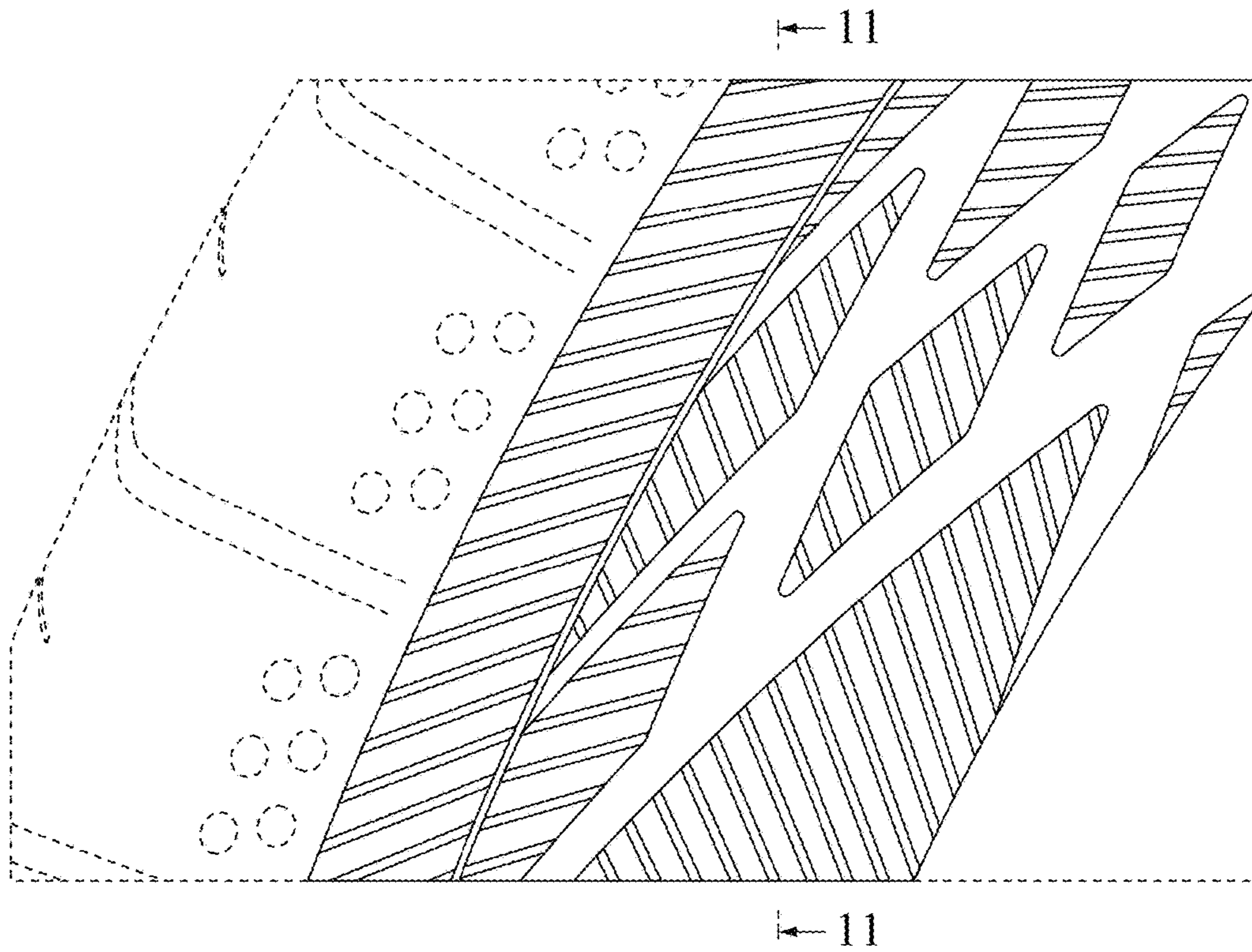


FIG. 11

