



US00D829641S

(12) **United States Design Patent**
Youn

(10) **Patent No.:** **US D829,641 S**

(45) **Date of Patent:** **** Oct. 2, 2018**

(54) **TIRE TREAD**

(71) Applicant: **Hankook Tire Co., Ltd.**, Seoul (KR)

(72) Inventor: **Sung Hee Youn**, Seoul (KR)

(73) Assignee: **Hankook Tire Co., Ltd.**, Seoul (KR)

(**) Term: **15 Years**

(21) Appl. No.: **29/604,718**

(22) Filed: **May 19, 2017**

(30) **Foreign Application Priority Data**

Nov. 22, 2016 (KR) 30-2016-0056054

(51) **LOC (11) Cl.** **12-15**

(52) **U.S. Cl.**
USPC **D12/584**

(58) **Field of Classification Search**
USPC D12/547, 548, 549, 550, 582, 583, 584,
D12/585

CPC B60C 11/0302; B60C 11/0306; B60C
2011/0313; B60C 2011/0344

See application file for complete search history.

(56) **References Cited**

U.S. PATENT DOCUMENTS

D721,642 S *	1/2015	Atake	D12/588
D727,839 S *	4/2015	Rolland	D12/583
9,302,549 B2 *	4/2016	Atake	B60C 11/0311
9,457,621 B2 *	10/2016	Okabe	B60C 11/033
D778,232 S *	2/2017	Fabre	D12/602
9,616,714 B2 *	4/2017	Okabe	B60C 11/0309
9,656,520 B2 *	5/2017	Fujioka	B60C 11/125

D797,656 S *	9/2017	Umstot	D12/603
9,796,215 B2 *	10/2017	Tanaka	B60C 11/125
D808,894 S *	1/2018	Kossi	D12/584
D816,599 S *	5/2018	Dixon	D12/603

* cited by examiner

Primary Examiner — Robert M. Spear

(74) *Attorney, Agent, or Firm* — Hamre, Schumann,
Mueller & Larson, P.C.

(57) **CLAIM**

The ornamental design for a tire tread, as shown and described.

DESCRIPTION

FIG. 1 is a perspective view of a tire tread showing my new design, it being understood that the pattern is repeated uniformly throughout the circumference of the tread;

FIG. 2 is a front elevational view thereof; the rear elevational view thereof, top plan view thereof, and bottom plan view thereof are identical to the front elevational view.

FIG. 3 is a left side view thereof; the right side view is identical to the left side perspective view.

FIG. 4 is an enlarged fragmentary view from upper 4-4 to lower 4-4 in FIG. 2; and,

FIG. 5 is an enlarged fragmentary view from upper 5-5 to lower 5-5 in FIG. 2.

The broken lines illustrate environmental subject matter only and form no part of the claimed design. The dash-dot-dash broken lines define the boundary of the tire tread and form no part of the claimed design. The surface shading lines and stippling in the drawings depict the character or contour of the surfaces represented and form no part of the claimed design.

1 Claim, 4 Drawing Sheets

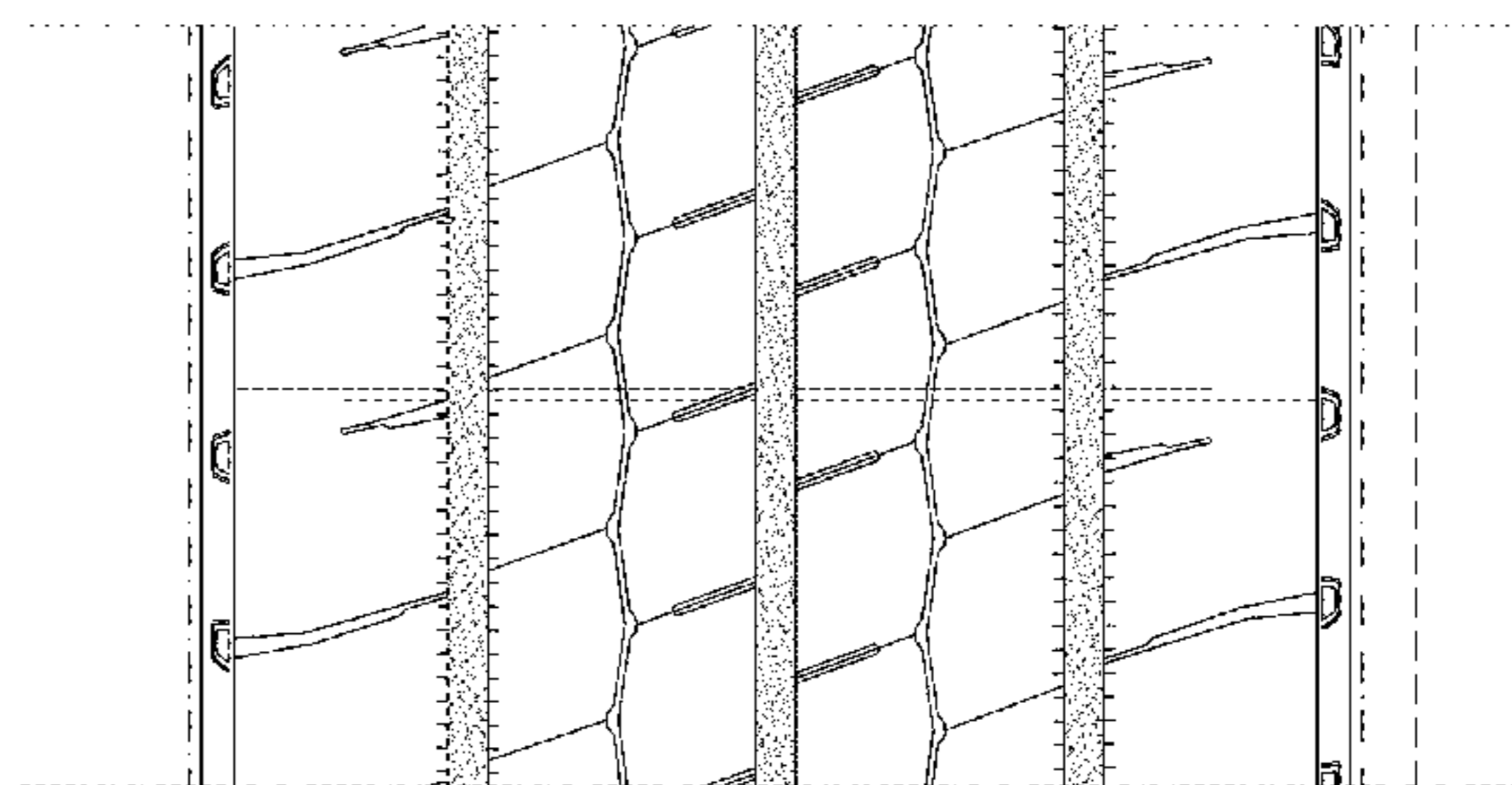
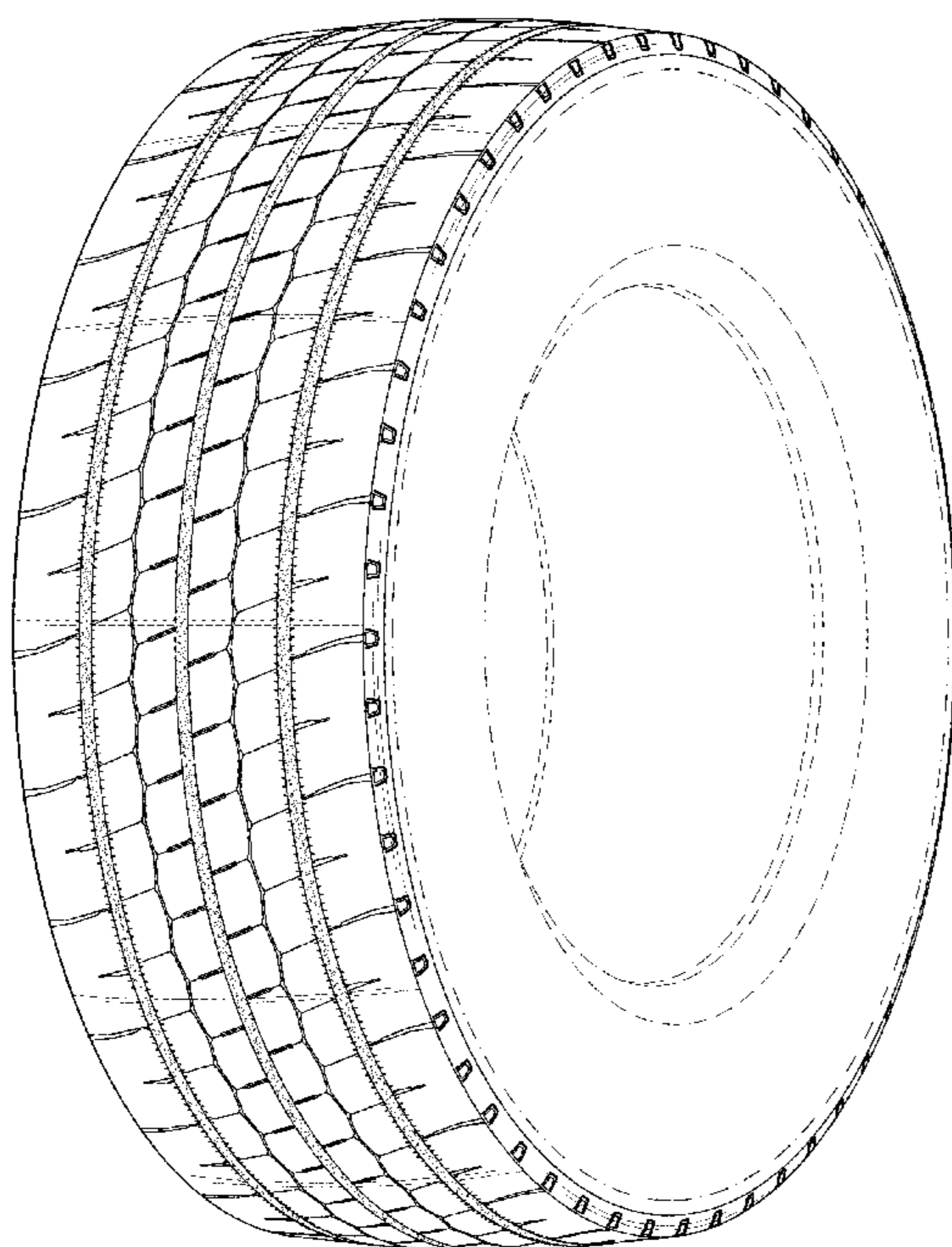


Fig. 1

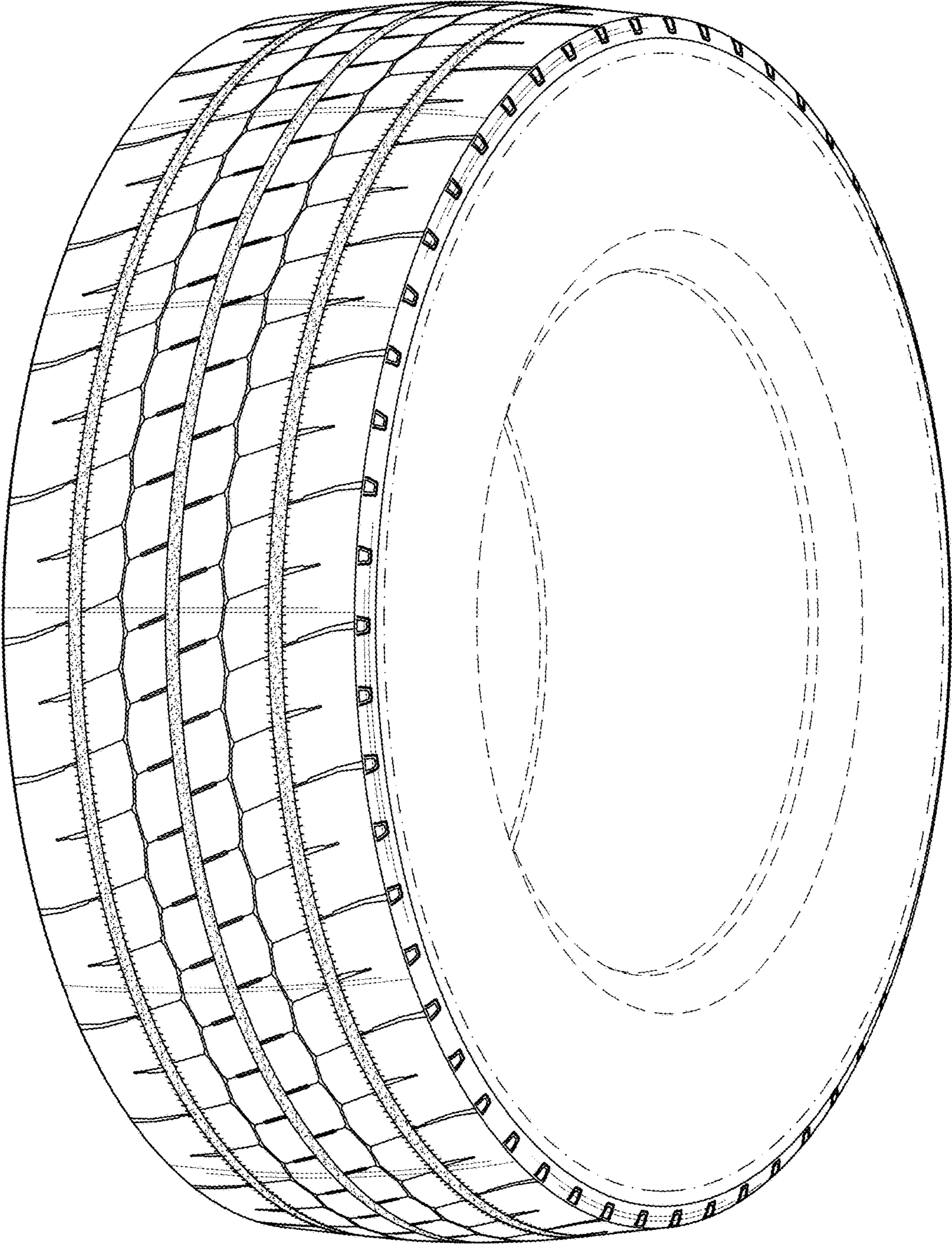


Fig. 2

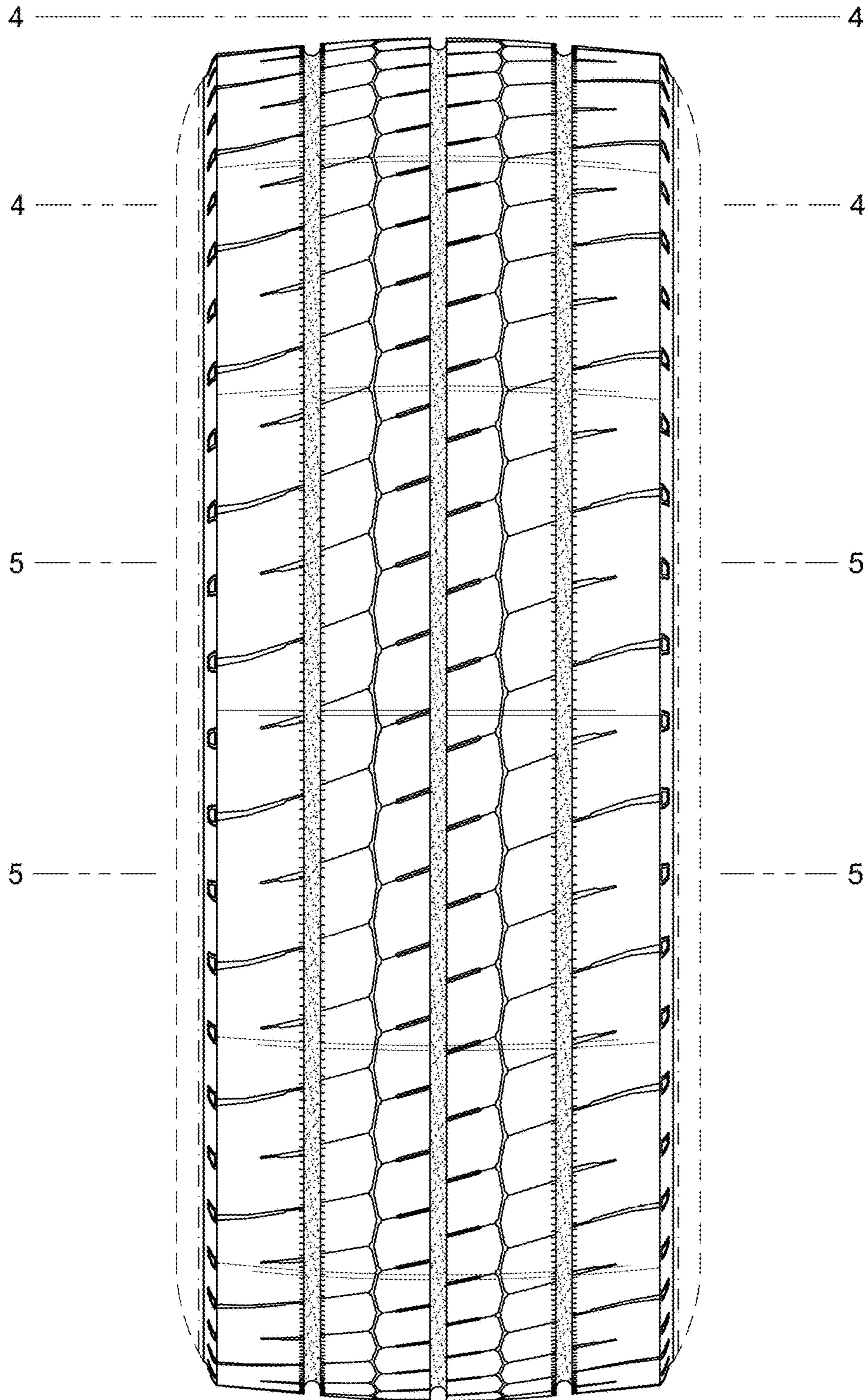


Fig. 3

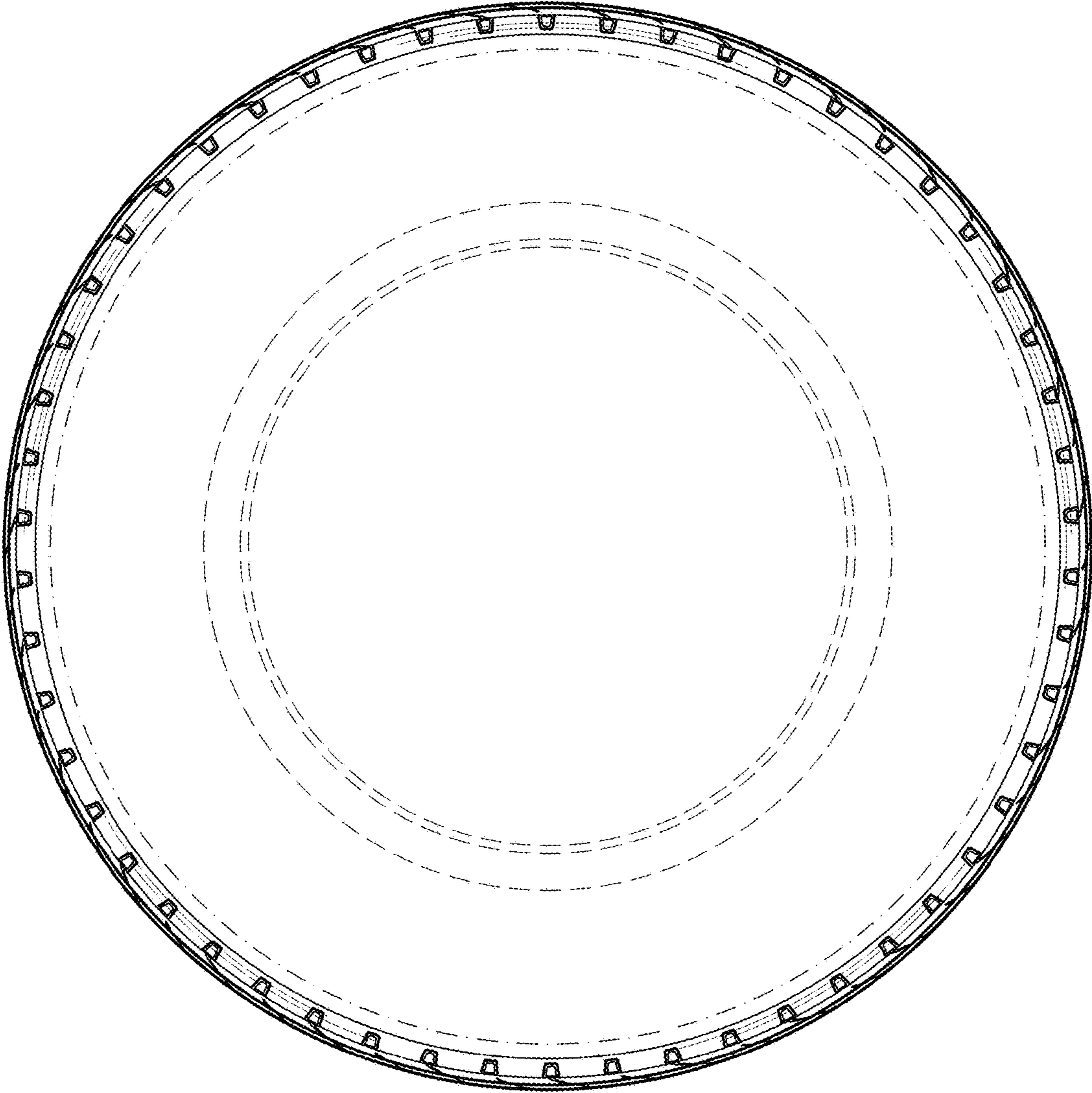


Fig. 4

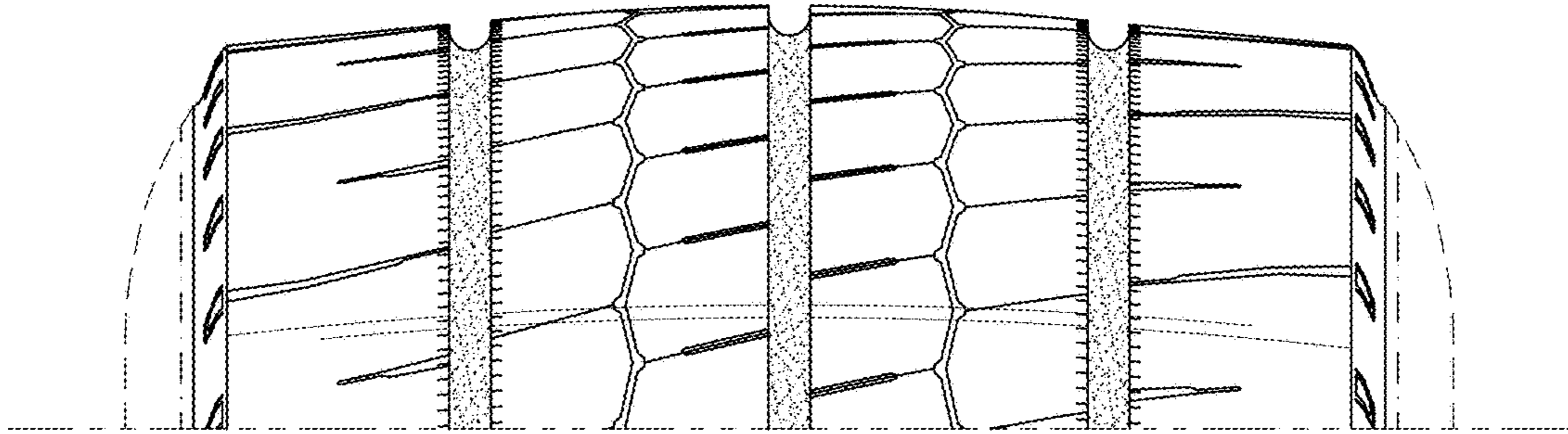


Fig. 5

