



US00D829637S

(12) **United States Design Patent**
Patten

(10) **Patent No.:** **US D829,637 S**

(45) **Date of Patent:** **** Oct. 2, 2018**

(54) **CUP HOLDER AND ADAPTOR FOR HOLDING ITEMS**

D574,669 S *	8/2008	Bergin	D7/620
D724,004 S *	3/2015	McFarlin	D12/419
D776,986 S *	1/2017	Landphere	D12/419
D804,394 S *	12/2017	Bergin	D12/419

(71) Applicant: **Scott Patten**, New Hill, NC (US)

* cited by examiner

(72) Inventor: **Scott Patten**, New Hill, NC (US)

Primary Examiner — Abraham Bahta

(**) Term: **15 Years**

(74) *Attorney, Agent, or Firm* — Olive Law Group, PLLC

(21) Appl. No.: **29/610,291**

(57) **CLAIM**

(22) Filed: **Jul. 11, 2017**

I claim the ornamental design for the cup holder and adaptor for holding items, as shown and described.

(51) **LOC (11) Cl.** **12-16**

DESCRIPTION

(52) **U.S. Cl.**

USPC **D12/415**

(58) **Field of Classification Search**

USPC D12/415-426, 400; 220/737;
297/188.14, 188.18; 248/223.31, 311.2

CPC .. B60R 7/08; B60R 7/00; B60R 7/043; A47G
23/00; A47G 23/03; A47G 23/0266

See application file for complete search history.

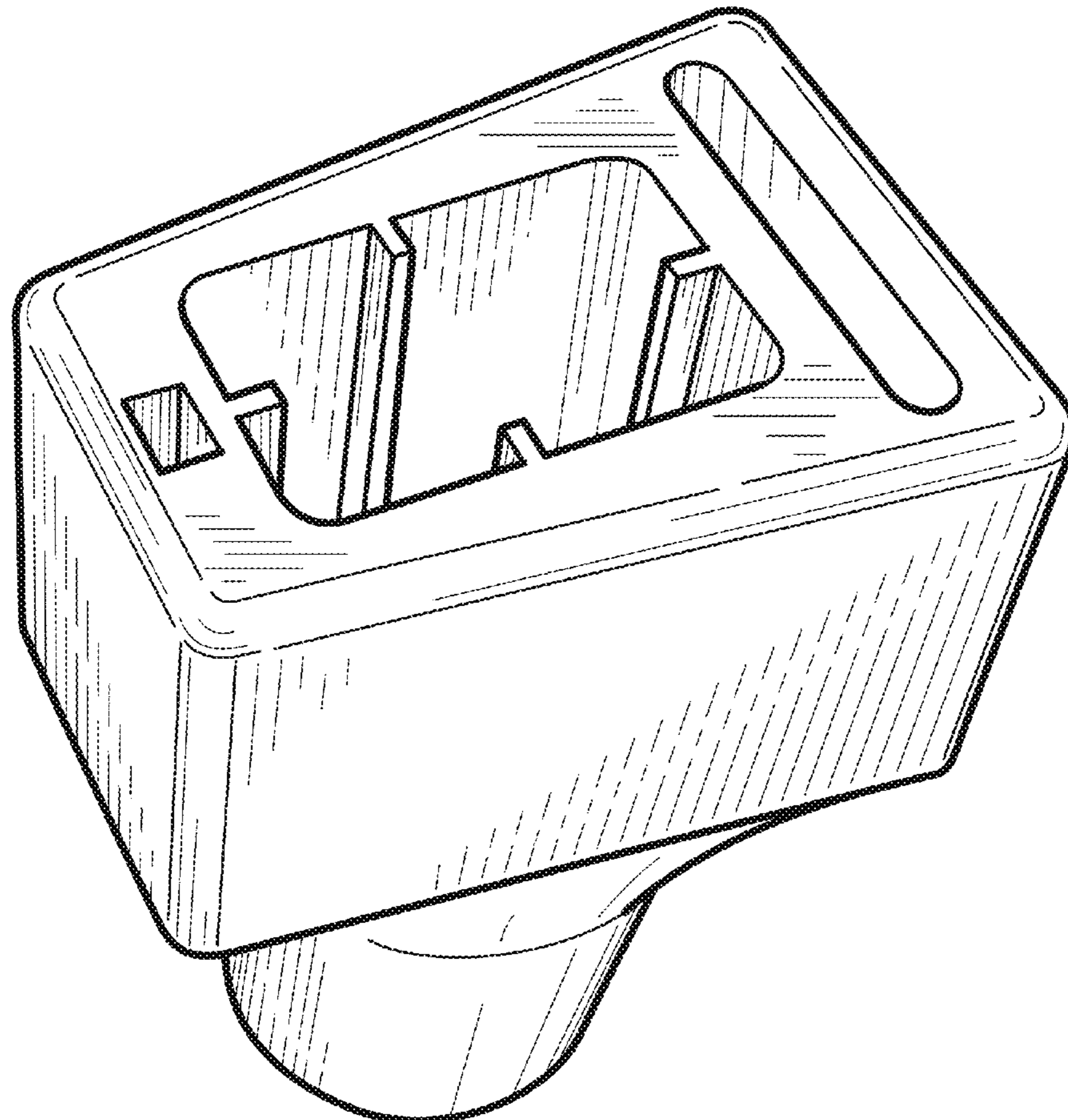
FIG. 1 is a top perspective view showing our new design of a cup holder and adaptor for holding items; FIG. 2 is a bottom perspective view thereof; FIG. 3 is a top view of FIG. 1 thereof; FIG. 4 is a bottom view of FIG. 1 thereof; FIG. 5 is a side view of FIG. 1 thereof; FIG. 6 is a side view that opposes the side view of FIG. 5 thereof; FIG. 7 is a back view thereof; and, FIG. 8 is a cross-sectional perspective view taken from lines 8-8 in FIG. 5.

(56) **References Cited**

U.S. PATENT DOCUMENTS

D428,383 S *	7/2000	Ozark	D12/419
D548,015 S *	8/2007	Bergin	D7/620

1 Claim, 6 Drawing Sheets



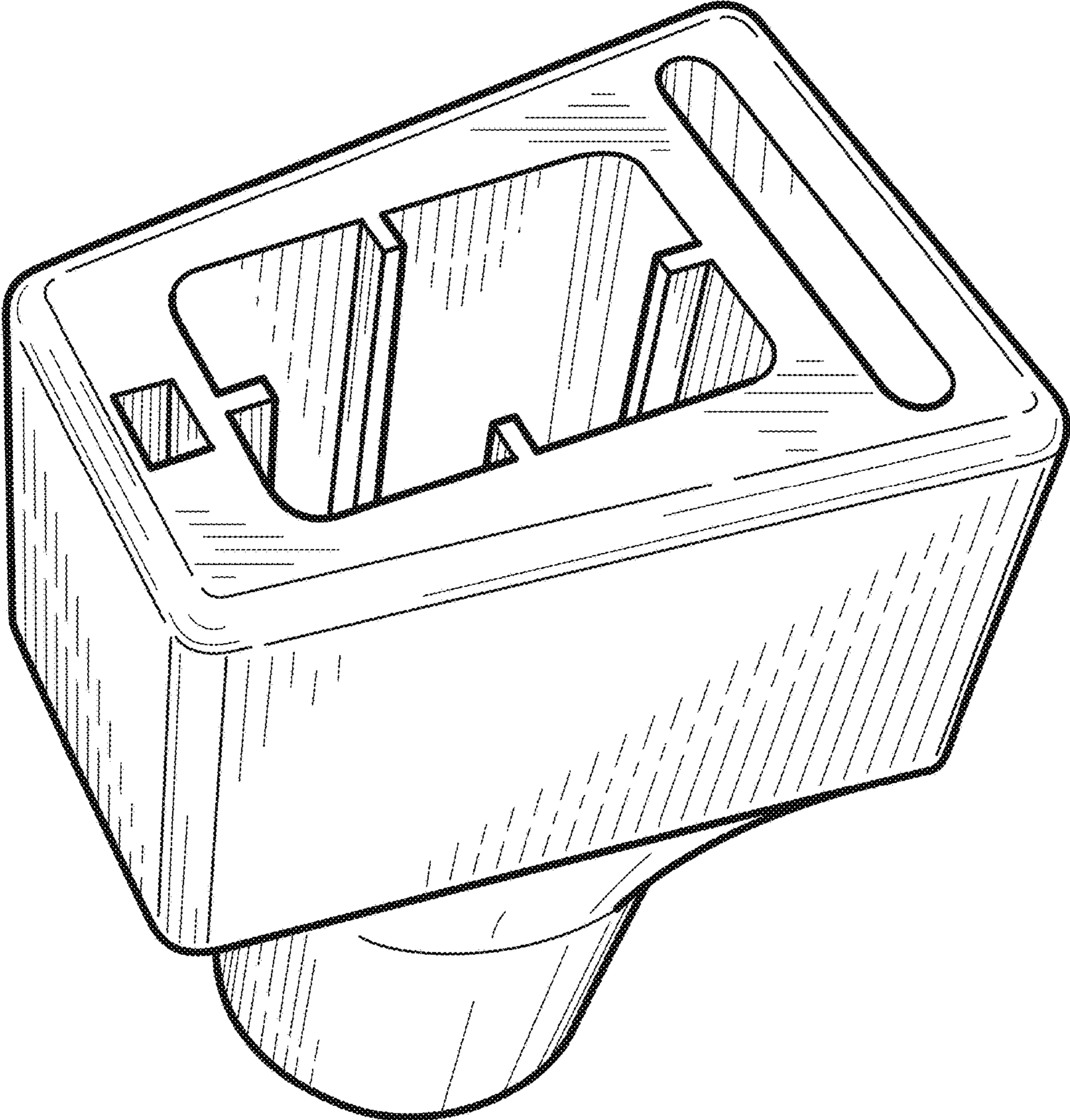


FIG. 1

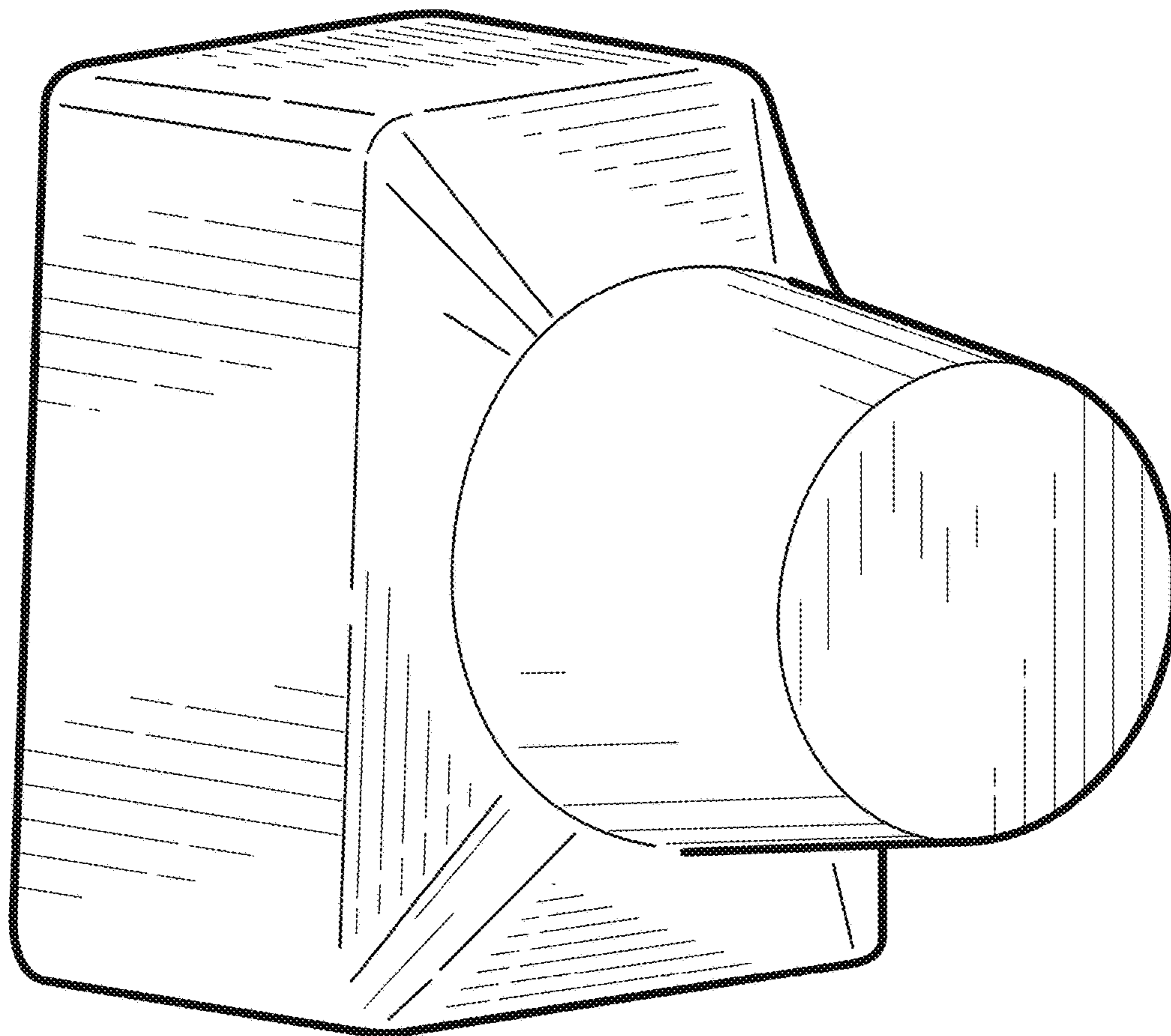


FIG. 2

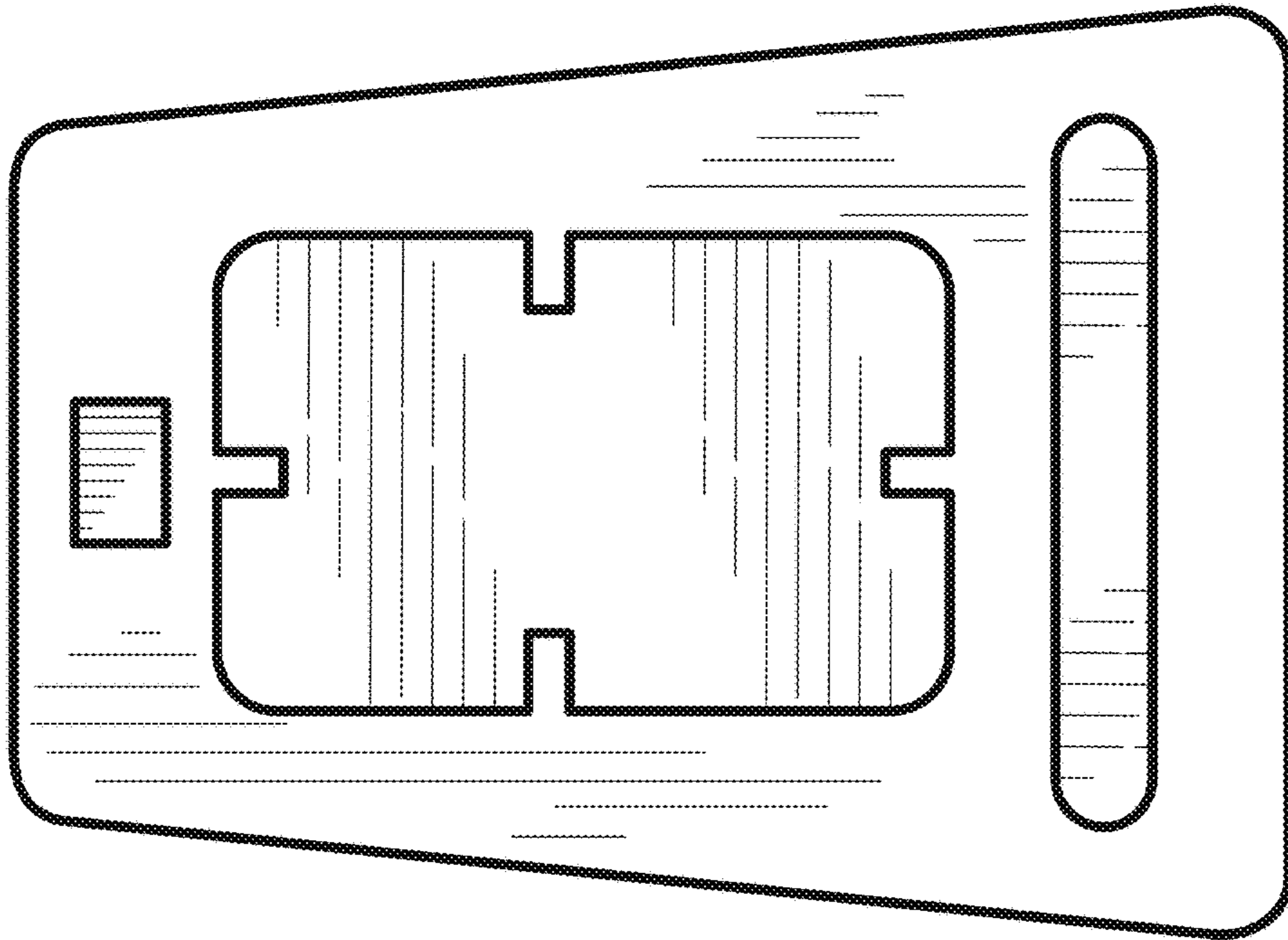


FIG. 3

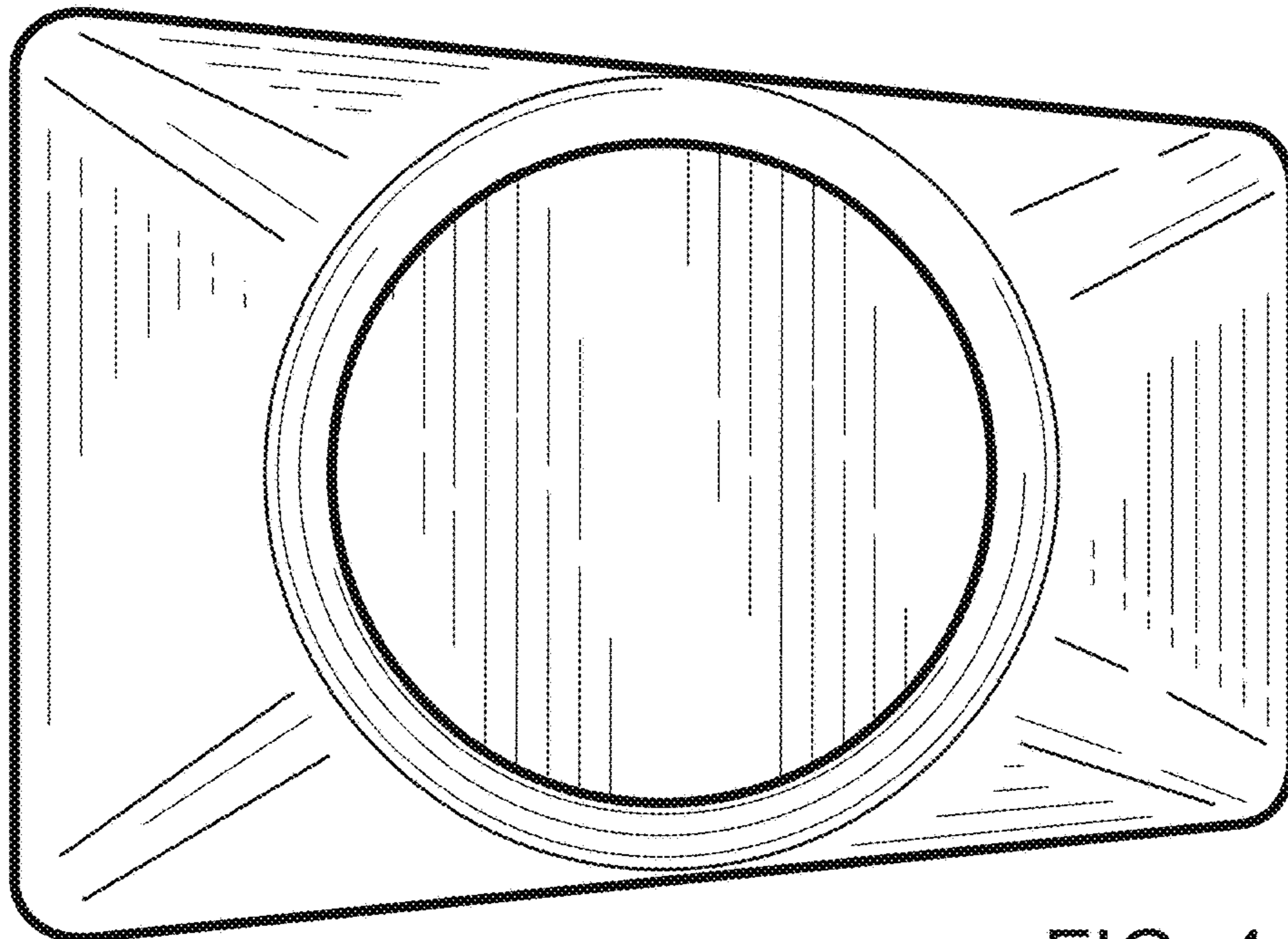


FIG. 4

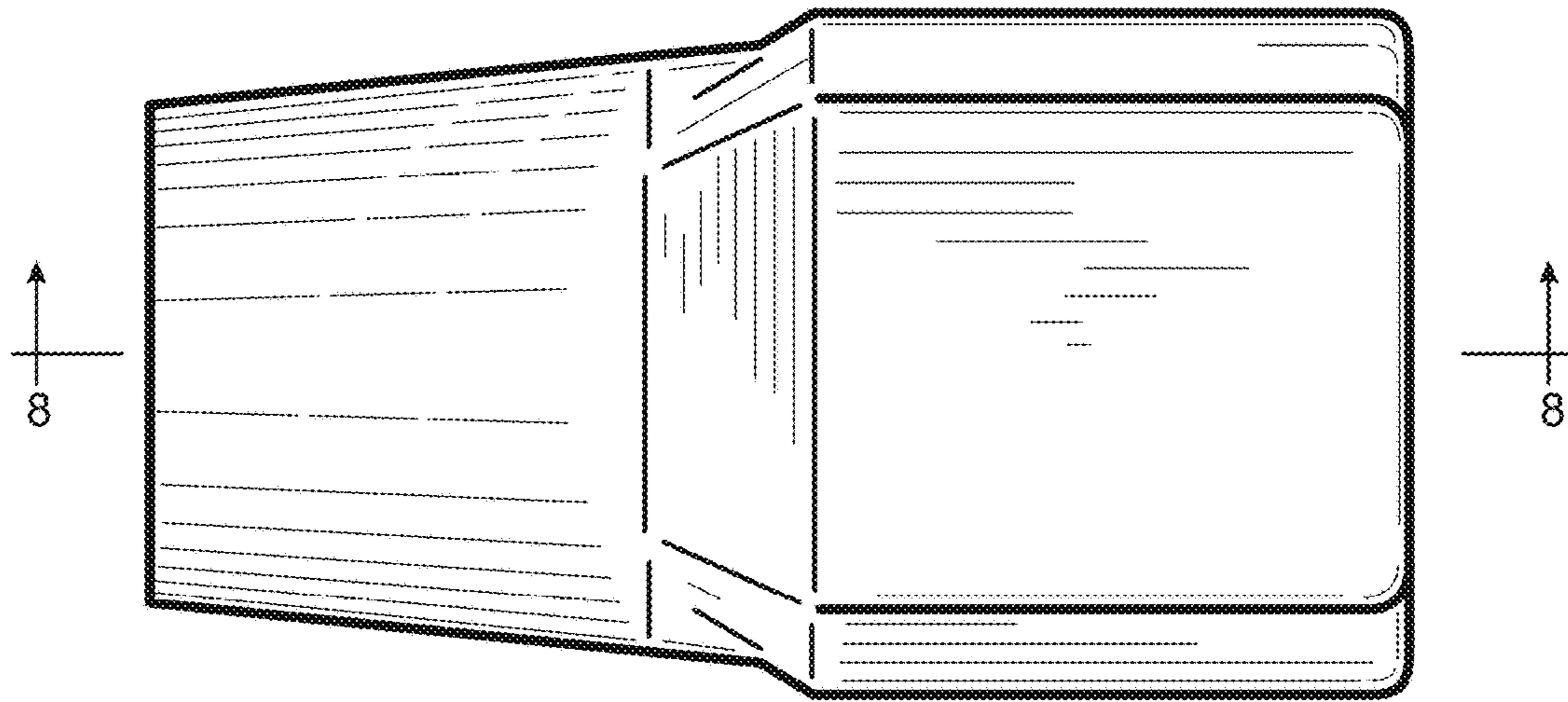


FIG. 5

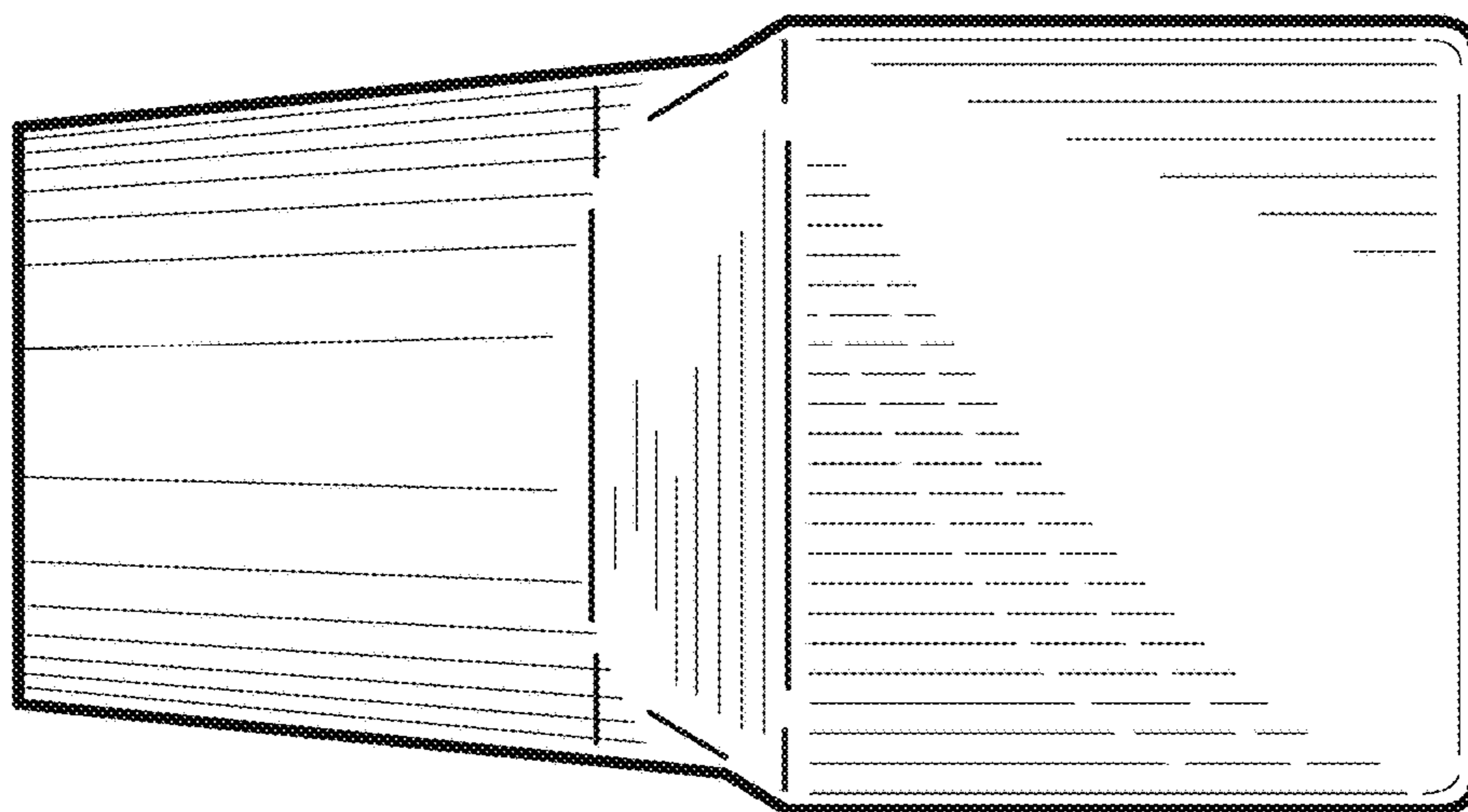


FIG. 6

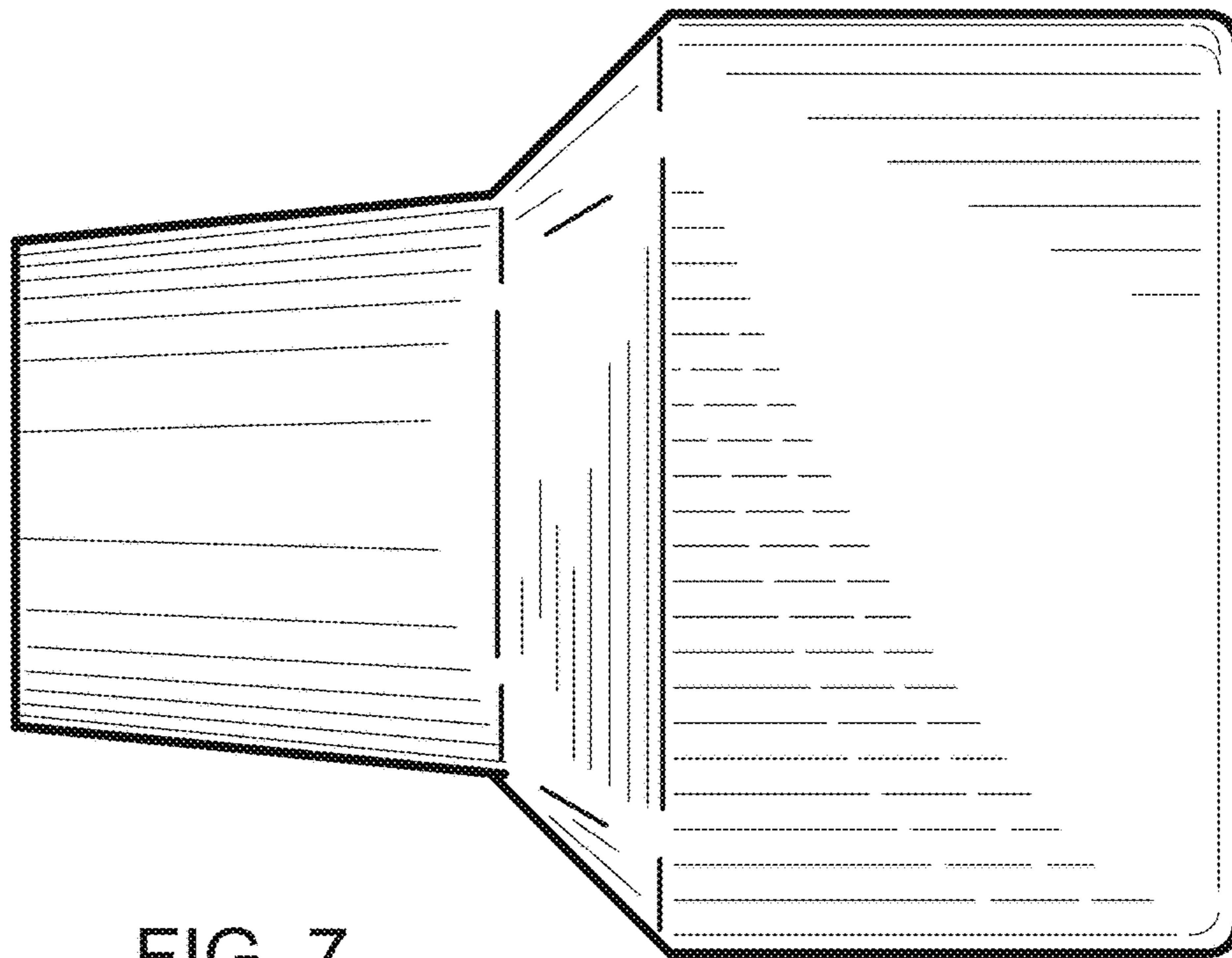


FIG. 7

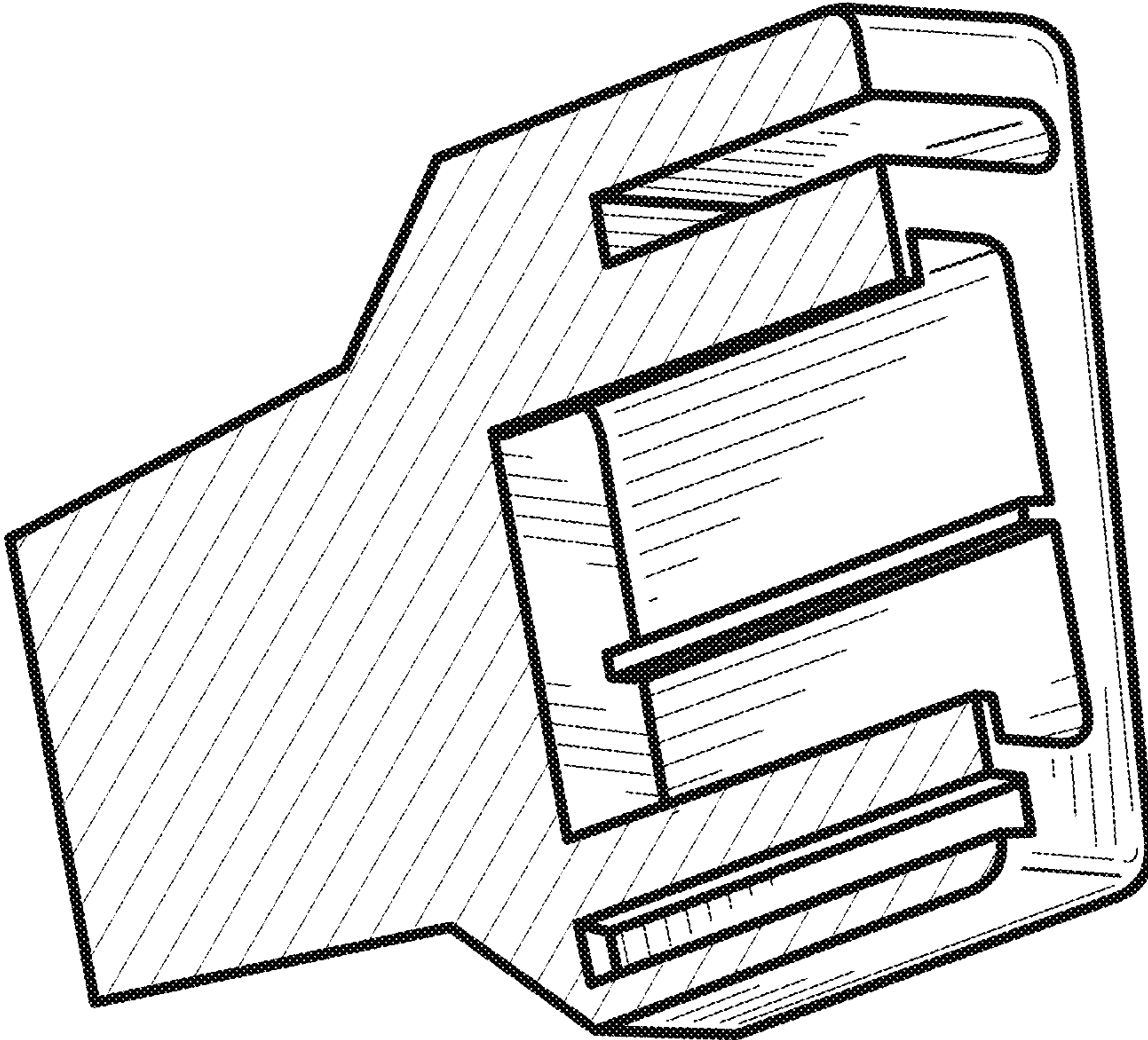


FIG. 8