



US00D829636S

(12) **United States Design Patent**
Murty et al.

(10) **Patent No.:** **US D829,636 S**

(45) **Date of Patent:** **** Oct. 2, 2018**

(54) **BICYCLE AXLE ADAPTOR FOR A VEHICLE BICYCLE CARRIER**

(71) Applicant: **Rhino Rack Australia Pty Limited**,
Rydalmere, NSW (AU)

(72) Inventors: **Christopher John Murty**, Rydalmere (AU); **Richard Oswald Cropley**, Rydalmere (AU); **John Adriaan Klinkenberg**, Rydalmere (AU)

(73) Assignee: **Rhino Rack Australia Pty Limited**,
Rydalmere, NSW (AU)

(**) Term: **15 Years**

(21) Appl. No.: **29/578,667**

(22) Filed: **Sep. 23, 2016**

(51) **LOC (11) Cl.** **12-16**

(52) **U.S. Cl.**
USPC **D12/406**

(58) **Field of Classification Search**
CPC B60R 9/12
See application file for complete search history.

(56) **References Cited**

U.S. PATENT DOCUMENTS

D627,703 S	*	11/2010	McLaughlin	D12/406
D655,238 S	*	3/2012	Vu	D12/406
D751,971 S	*	3/2016	Patel	D12/406
D808,889 S	*	1/2018	Puchkoff	D12/406

2010/0091180	A1*	4/2010	Liu	G06F 3/14 348/441
2015/0191128	A1*	7/2015	Liu	B60R 9/10 224/568
2015/0329060	A1*	11/2015	Freet	B60R 9/10 224/570
2017/0057419	A1*	3/2017	Olsen	B60R 9/06
2017/0072866	A1*	3/2017	Cha	B60R 9/06
2017/0072868	A1*	3/2017	Cha	B60R 9/06
2017/0190299	A1*	7/2017	Molina	B60R 9/06
2018/0072237	A1*	3/2018	Kuschmeader	B60R 9/10

* cited by examiner

Primary Examiner — Katrina A Betton

(74) *Attorney, Agent, or Firm* — Barnes & Thornburg LLP; Jeffrey R. Stone

(57) **CLAIM**

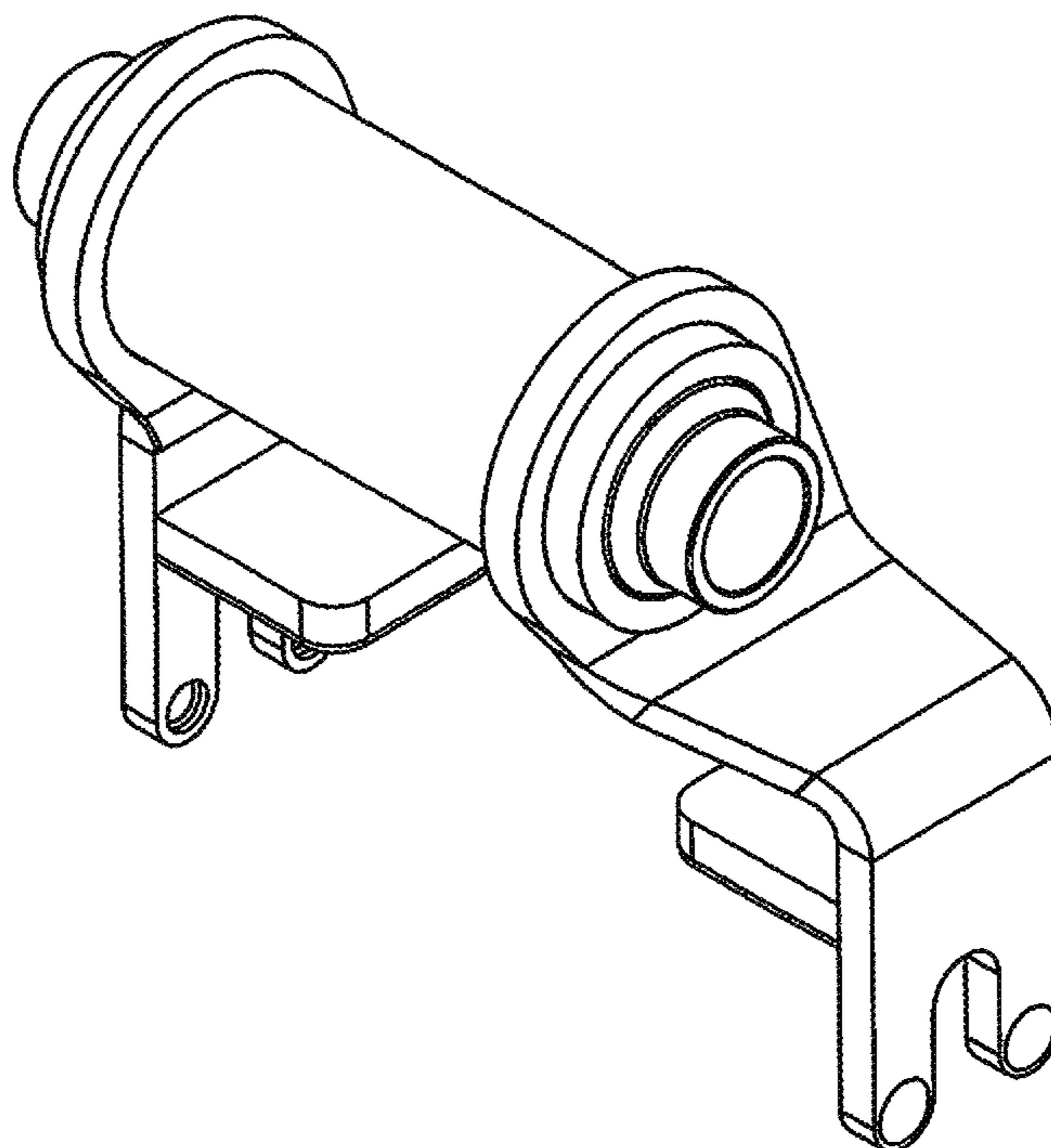
The ornamental design for a bicycle axle adaptor for a vehicle bicycle carrier, as shown and described.

DESCRIPTION

FIG. 1 is a front view of the bicycle axle adaptor for a vehicle bicycle carrier;
FIG. 2 is an perspective view showing the design;
FIG. 3 is a left view thereof;
FIG. 4 is a right view thereof;
FIG. 5 is a top view thereof;
FIG. 6 is a rear view thereof; and,
FIG. 7 is a bottom view.

The portions of the disclosure shown in broken lines form no part of the claimed design.

1 Claim, 7 Drawing Sheets



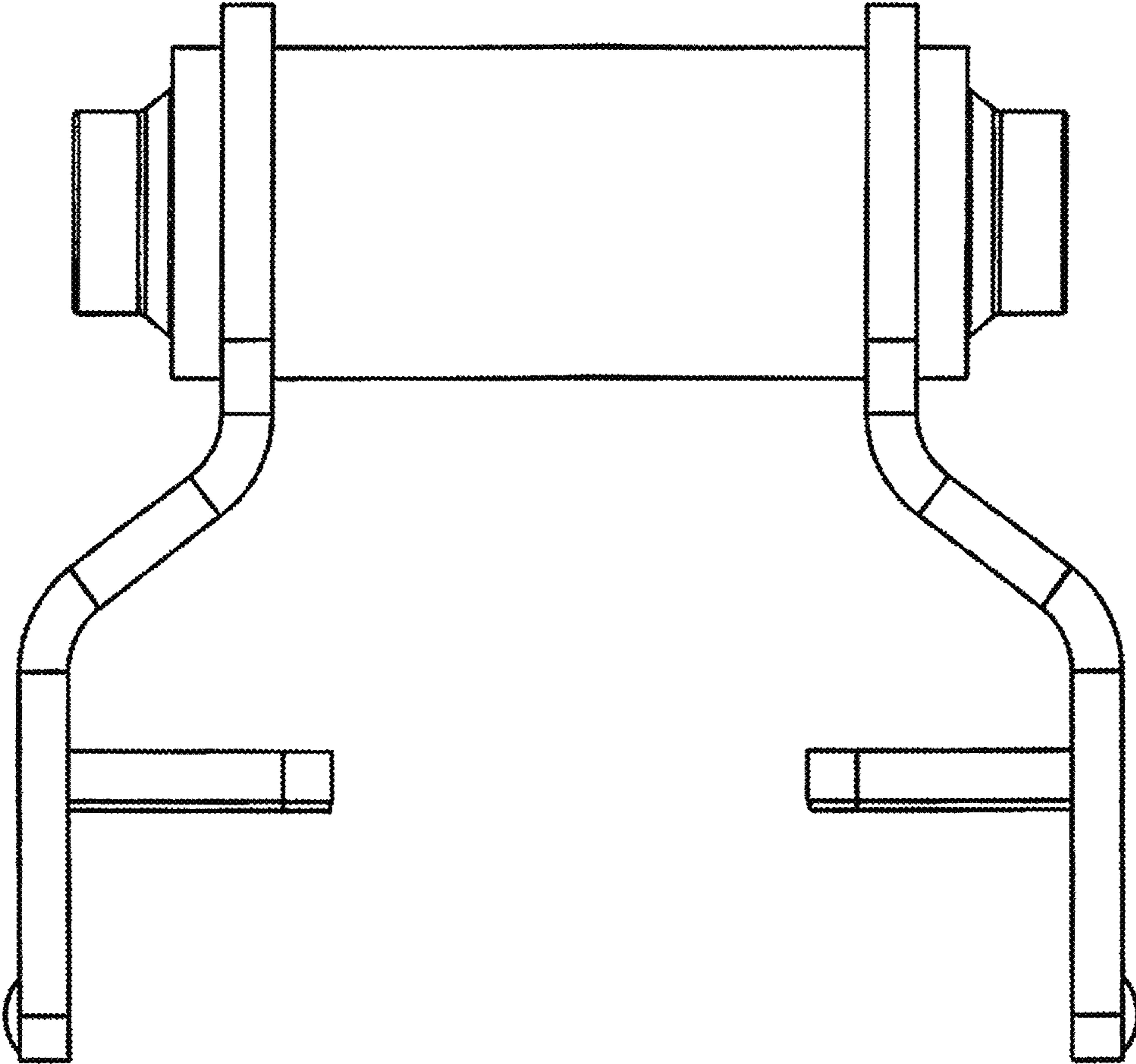


FIG. 1

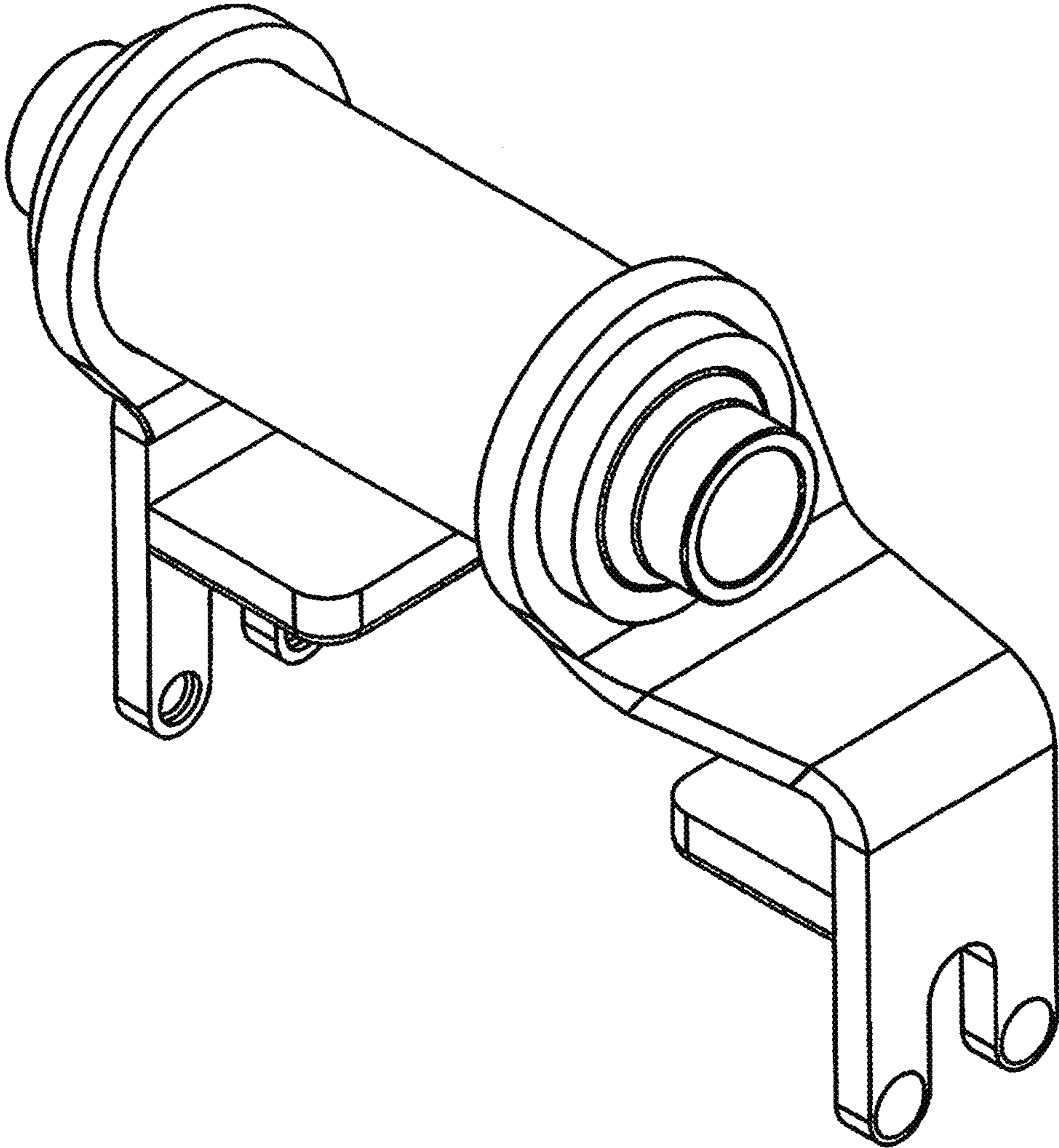


FIG.2

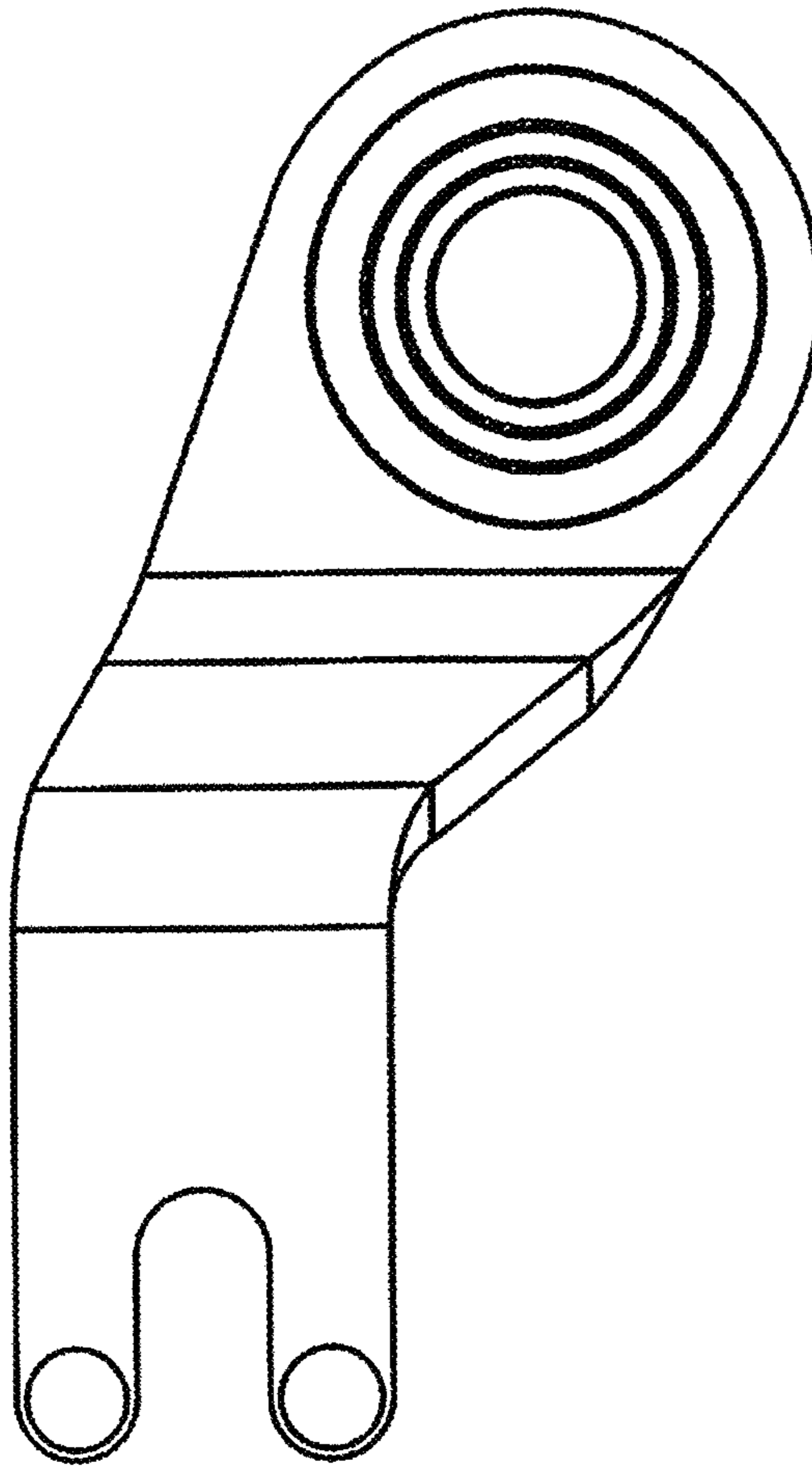


FIG.3

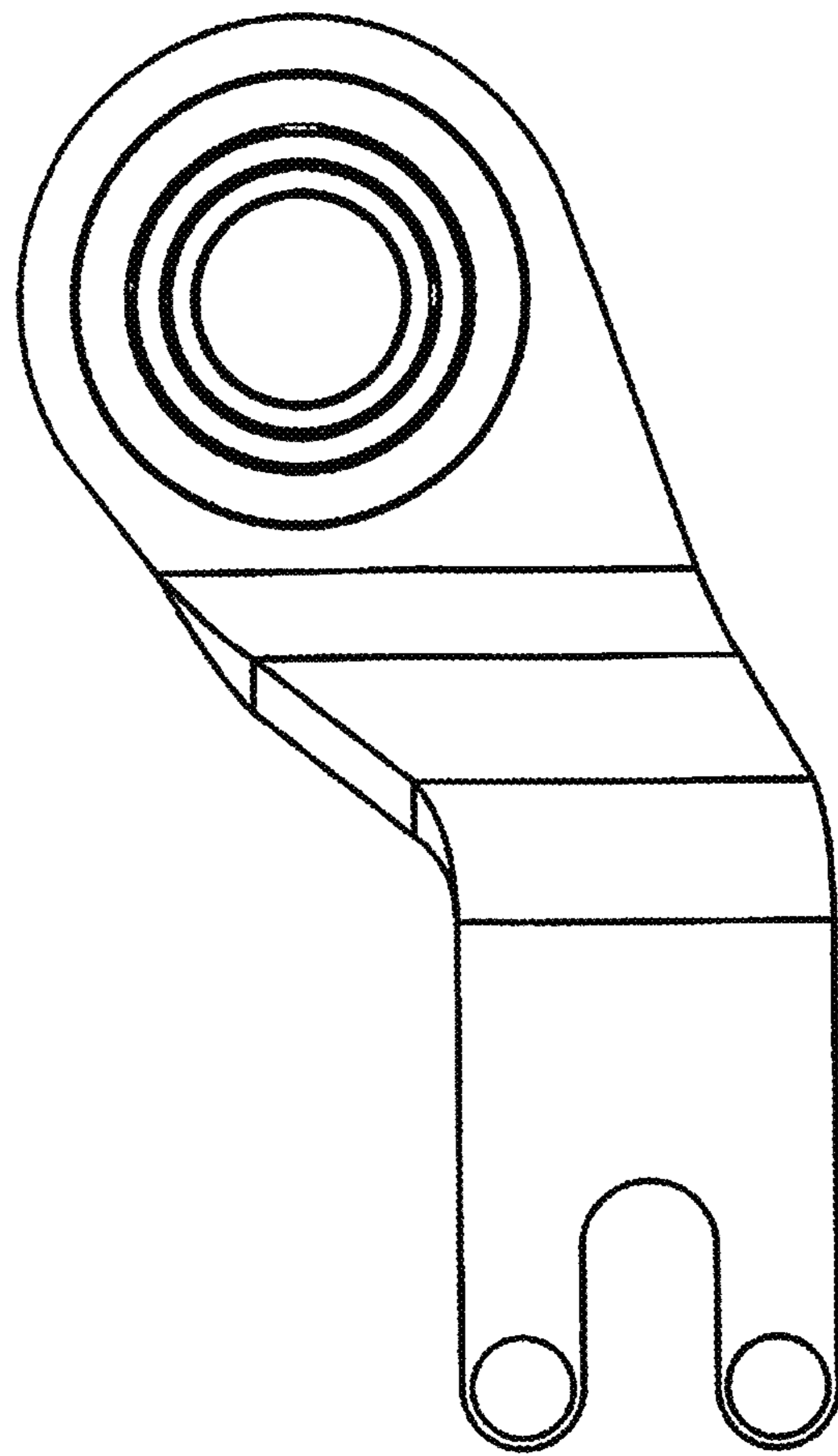


FIG. 4

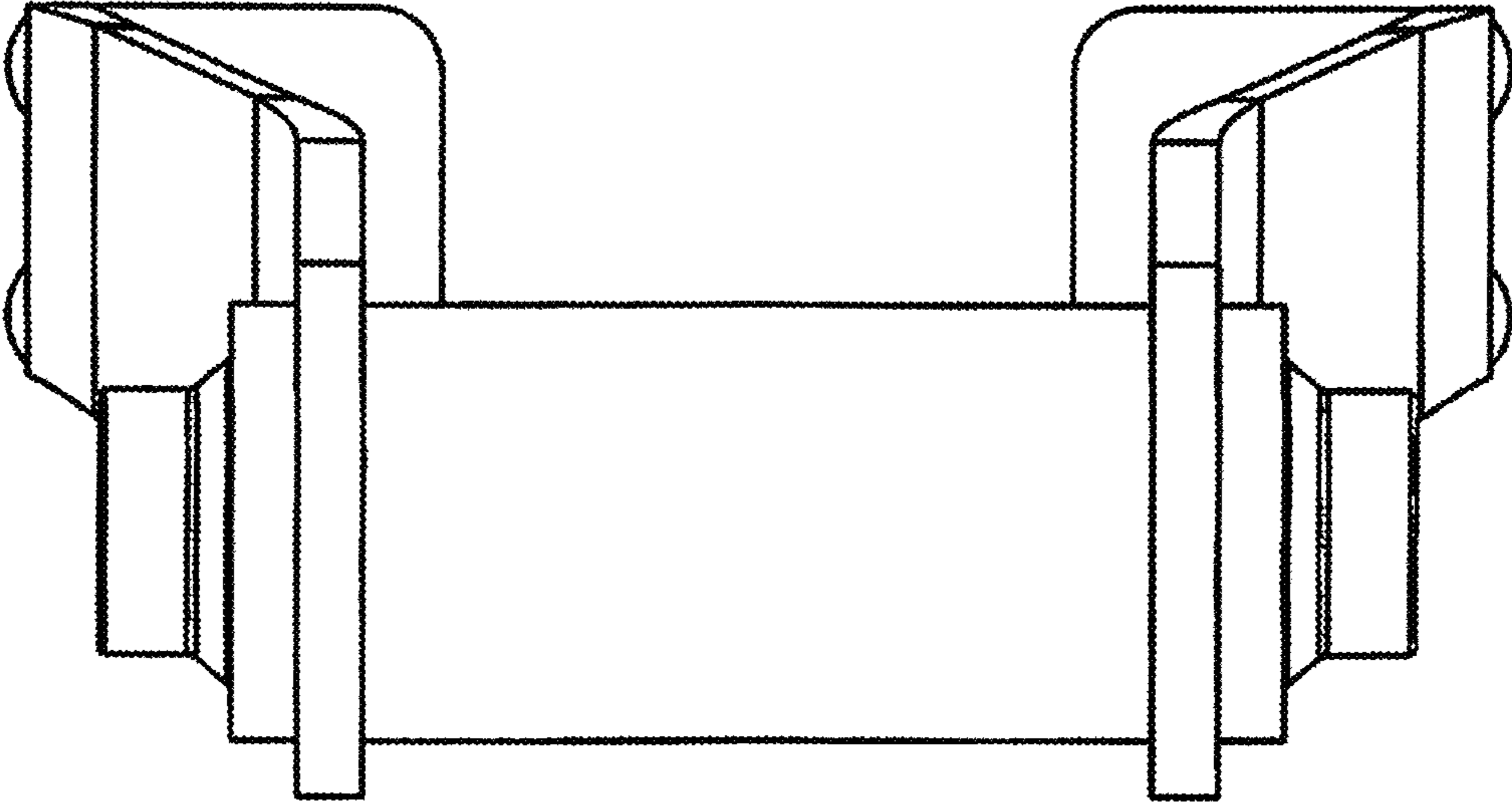


FIG. 5

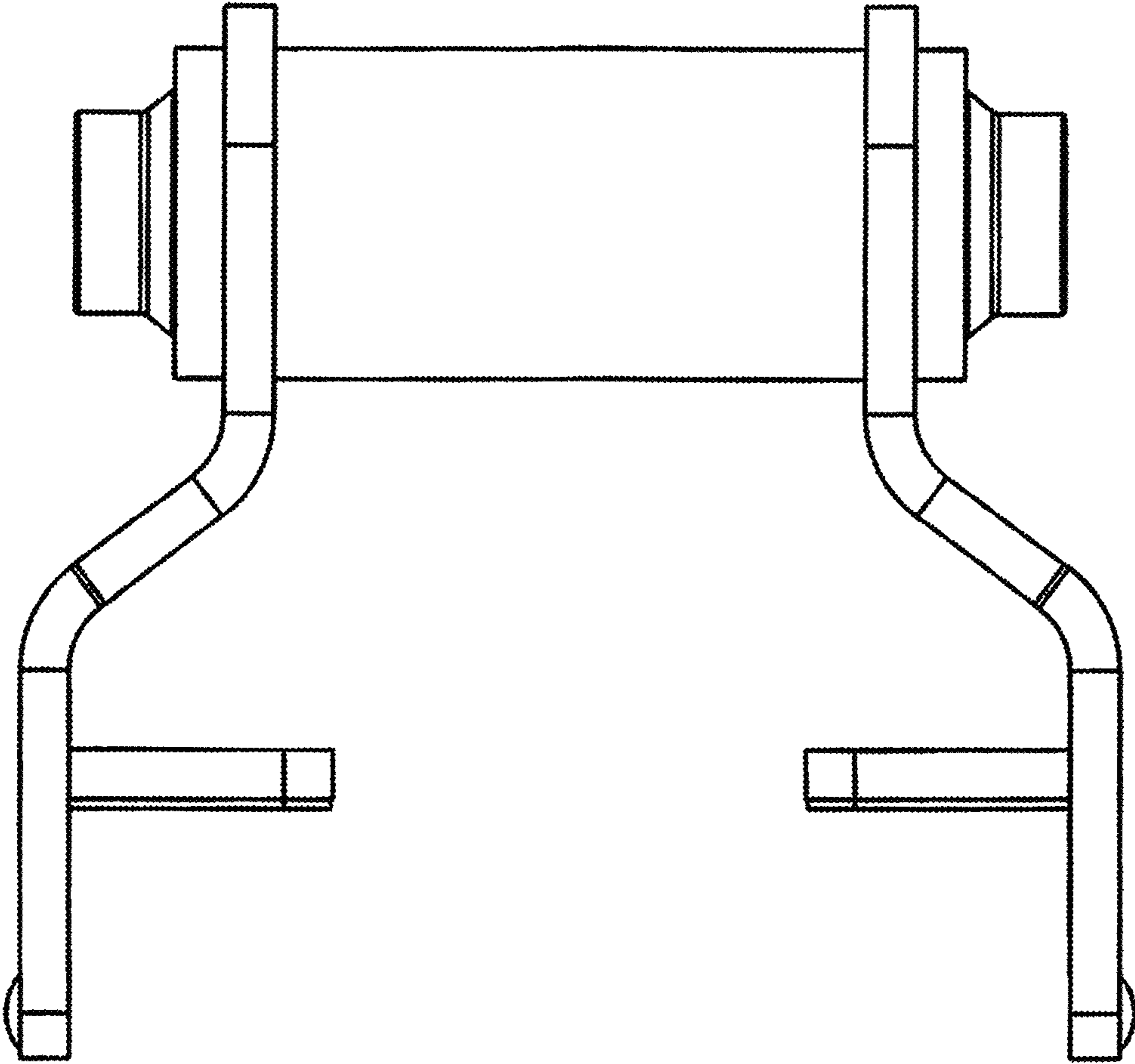


FIG. 6

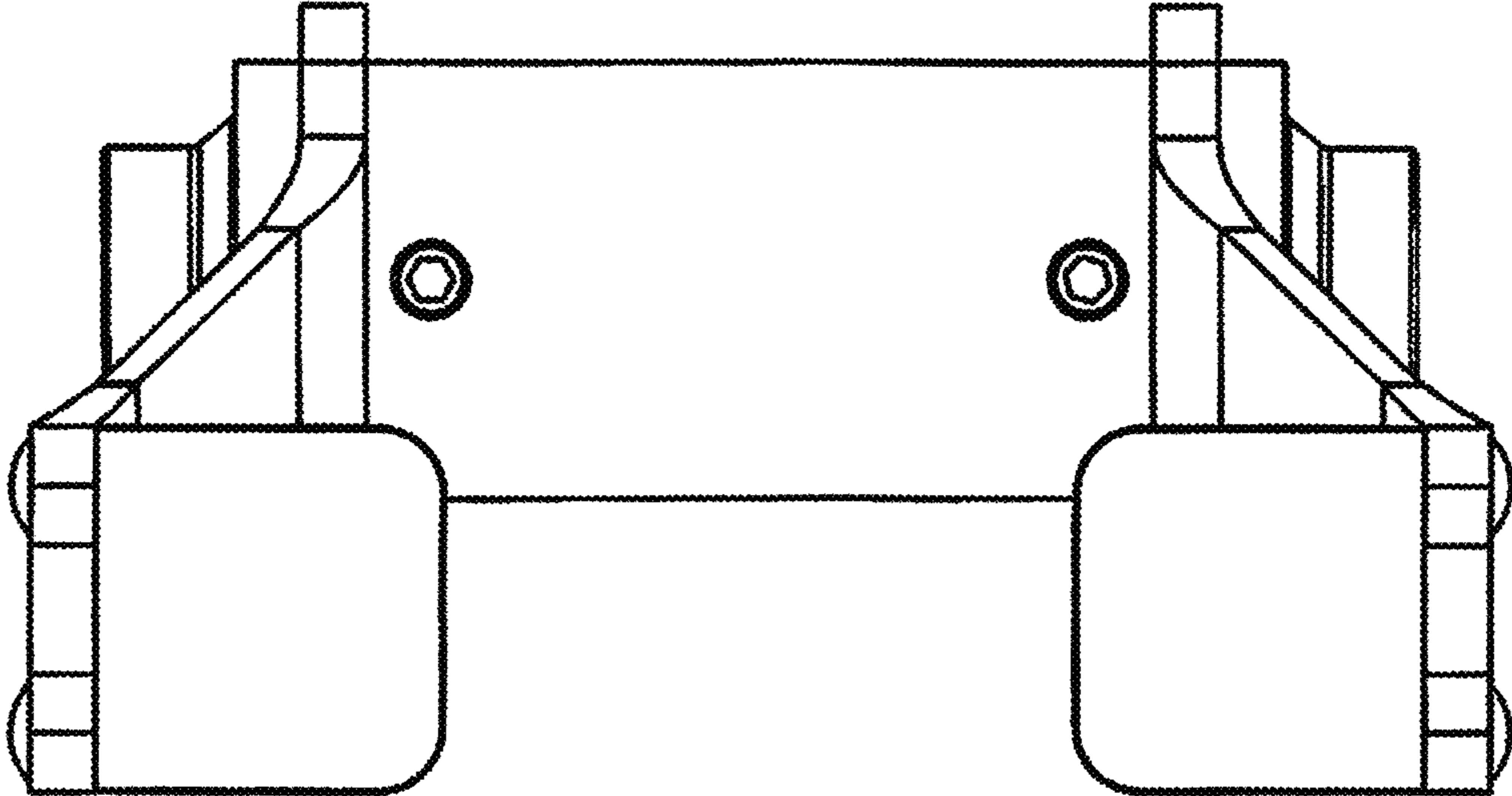


FIG. 7