



US00D829633S

(12) **United States Design Patent** (10) **Patent No.:** **US D829,633 S**  
**Cummings** (45) **Date of Patent:** **\*\* Oct. 2, 2018**

(54) **AIRCRAFT**

(71) Applicant: **Darold B Cummings**, Coeur d'Alene, ID (US)

(72) Inventor: **Darold B Cummings**, Coeur d'Alene, ID (US)

(\*\*) Term: **15 Years**

(21) Appl. No.: **29/619,017**

(22) Filed: **Sep. 26, 2017**

(51) **LOC (11) Cl.** ..... **12-07**

(52) **U.S. Cl.**  
USPC ..... **D12/337**

(58) **Field of Classification Search**  
USPC ..... D21/437-454; D12/16.1, 319-345  
CPC ... B64C 31/06; B64C 27/52; B64C 2201/048;  
B64C 2201/128; B64D 27/14; B64D  
27/023

See application file for complete search history.

(56) **References Cited**

**U.S. PATENT DOCUMENTS**

D193,013 S *	6/1962	Alvaney .....	D21/448
D199,070 S *	9/1964	Ruttner .....	D12/336
D206,035 S *	10/1966	Steiner .....	D12/340
D212,397 S *	10/1968	Rellis .....	D12/330
D231,208 S *	4/1974	Drinnon .....	244/207
D231,605 S *	5/1974	Frajola .....	D12/337
D231,606 S *	5/1974	Blattner .....	D12/337
D232,426 S *	8/1974	Szlenkier .....	D12/330
D232,427 S *	8/1974	Szlenkier .....	D12/330
D232,712 S *	9/1974	Brown .....	D12/337
D232,713 S *	9/1974	Cook .....	D12/337
D232,926 S *	9/1974	Rellis .....	D12/337
D232,927 S *	9/1974	Blattner .....	244/207
D258,647 S *	3/1981	Brown, Jr. ....	D12/337
D258,648 S *	3/1981	Martin .....	D12/337
D258,649 S *	3/1981	Booth .....	D12/337

D259,411 S *	6/1981	Miller .....	D12/341
D273,673 S *	5/1984	Olason .....	D12/338
D292,910 S *	11/1987	McGiboney .....	D12/331
D308,663 S *	6/1990	Carlson .....	D12/337
D352,493 S *	11/1994	Krojer .....	D12/337
D354,474 S *	1/1995	Murphy .....	D12/319
D358,576 S *	5/1995	Sutter .....	D12/337
D397,989 S *	9/1998	Al-Sabah .....	D12/319
D415,993 S *	11/1999	Birrenbach .....	D12/319
D421,955 S *	3/2000	Birrenbach .....	D12/319
D426,804 S *	6/2000	Birrenbach .....	D12/319
D491,875 S *	6/2004	Eatkins .....	D12/319
D495,653 S *	9/2004	Eatkins .....	D12/319
D495,988 S *	9/2004	Beaunis .....	D12/319
D499,687 S *	12/2004	Fraser .....	D12/319
D499,688 S *	12/2004	Atkinson .....	D12/319
D500,281 S *	12/2004	Aruga .....	D12/319
D500,980 S *	1/2005	Eatkins .....	D12/319
D504,862 S *	5/2005	Seidel .....	D12/319
D515,012 S *	2/2006	Eatkins .....	D12/319

(Continued)

*Primary Examiner* — Brandon M Rosati

*Assistant Examiner* — Marissa J Cash

(74) *Attorney, Agent, or Firm* — Morland C. Fischer

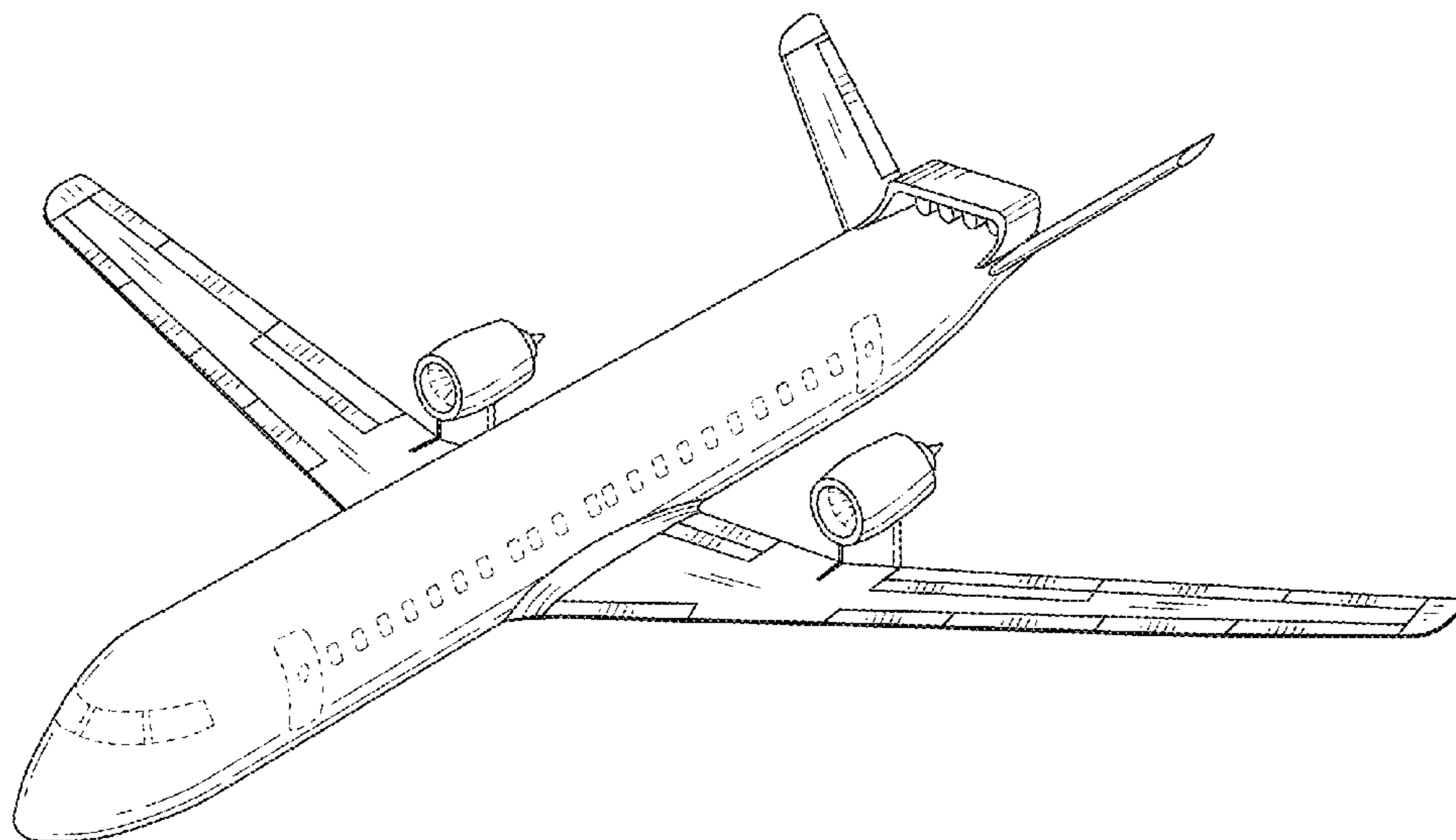
(57) **CLAIM**

The ornamental design for an aircraft, as shown and described.

**DESCRIPTION**

FIG. 1 is a perspective view showing the top, left side and front of an aircraft;  
FIG. 2 is a top plan view thereof;  
FIG. 3 is a front elevational view thereof;  
FIG. 4 is a left side elevational view thereof;  
FIG. 5 is a right side elevational view thereof;  
FIG. 6 is a rear elevational view thereof; and,  
FIG. 7 is a bottom plan view thereof.  
The broken lines in the drawings depicting portions of the aircraft that form no part of the claim.

**1 Claim, 3 Drawing Sheets**



(56)

References Cited

U.S. PATENT DOCUMENTS

D515,013 S \* 2/2006 Eatkins ..... D12/319  
 D516,007 S \* 2/2006 Vigneron ..... D12/319  
 D516,995 S \* 3/2006 Eatkins ..... D12/319  
 D517,467 S \* 3/2006 Vigneron ..... D12/319  
 D524,717 S \* 7/2006 Lynas ..... D12/319  
 7,083,143 B2 \* 8/2006 Whitmer ..... B64D 27/18  
 244/54  
 D529,857 S \* 10/2006 Eakins ..... D12/319  
 D530,658 S \* 10/2006 Vigneron ..... D12/319  
 D531,954 S \* 11/2006 Eakins ..... D12/319  
 D537,029 S \* 2/2007 Eakins ..... D12/319  
 D566,031 S \* 4/2008 Beaunis ..... D12/319  
 D576,938 S \* 9/2008 Moon ..... D12/343  
 D589,867 S \* 4/2009 Chesne ..... D12/343  
 D598,361 S \* 8/2009 Beaunis ..... D12/343  
 D608,720 S \* 1/2010 Saint-Jalmes ..... B64D 27/14  
 D12/319  
 D612,792 S \* 3/2010 Guering ..... D12/343  
 D617,724 S \* 6/2010 Saint-Jalmes ..... D12/343  
 D619,076 S \* 7/2010 Guering ..... D12/343

D624,480 S \* 9/2010 Guering ..... D12/343  
 D628,530 S \* 12/2010 Gall ..... D12/345  
 D629,349 S \* 12/2010 Hwang ..... D12/319  
 D630,996 S \* 1/2011 Gall ..... D12/319  
 D674,734 S \* 1/2013 Fujino ..... D12/345  
 D691,547 S \* 10/2013 Hall ..... D12/319  
 D702,622 S \* 4/2014 Klimov ..... D12/319  
 D735,633 S \* 8/2015 Viala ..... D12/319  
 D749,488 S \* 2/2016 De Camargo ..... D12/319  
 D755,702 S \* 5/2016 Hall ..... D12/343  
 D760,637 S \* 7/2016 Cummings ..... D12/343  
 D762,157 S \* 7/2016 Faure ..... D12/342  
 D762,548 S \* 8/2016 Faure ..... D12/342  
 D765,010 S \* 8/2016 De Camargo ..... D12/342  
 RE46,320 E \* 2/2017 Fujino ..... D12/319  
 D784,903 S \* 4/2017 Adams ..... D12/343  
 D792,832 S \* 7/2017 Chung ..... D12/343  
 D797,641 S 9/2017 Cummings  
 D800,843 S \* 10/2017 Sartorius ..... D21/447  
 D809,993 S \* 2/2018 Tsukii ..... D12/343  
 2010/0276545 A1 \* 11/2010 Chavagnac ..... B64D 27/023  
 244/158.9

\* cited by examiner

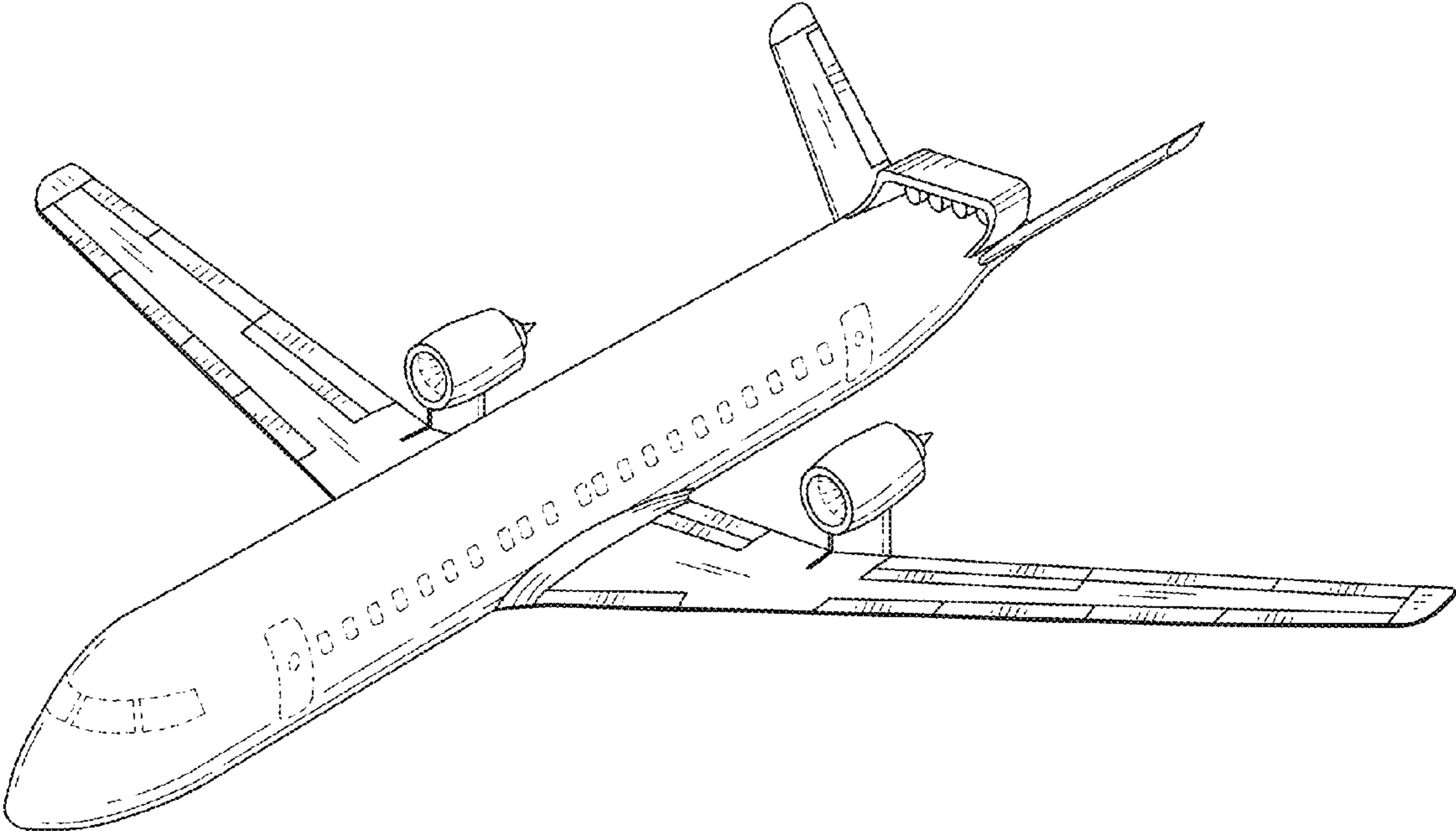


FIG. 1

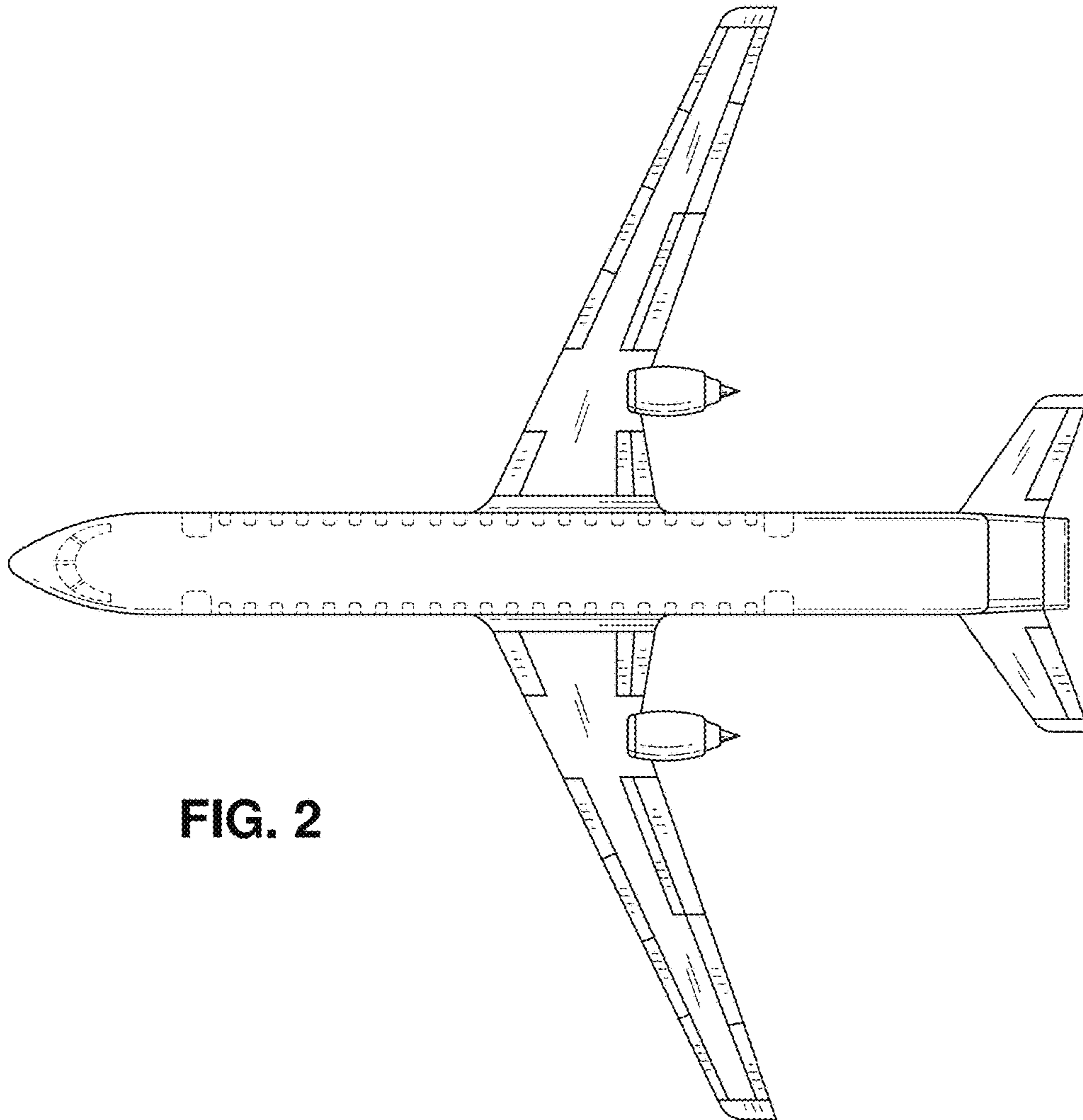


FIG. 2

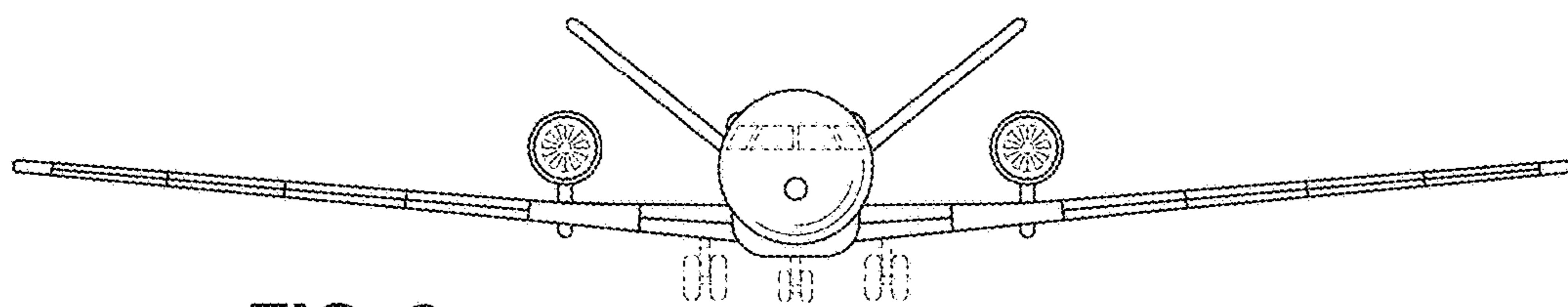


FIG. 3

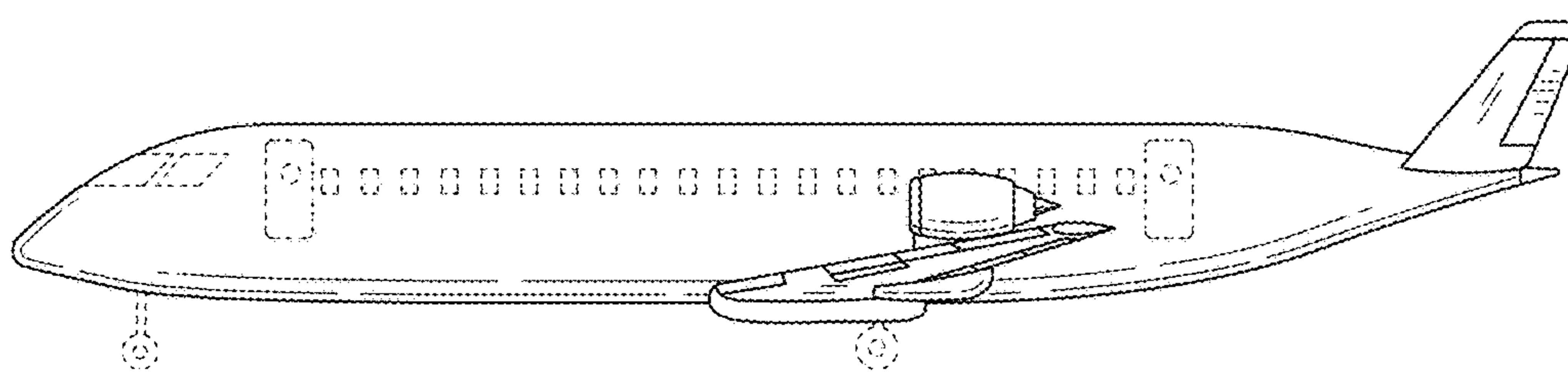


FIG. 4

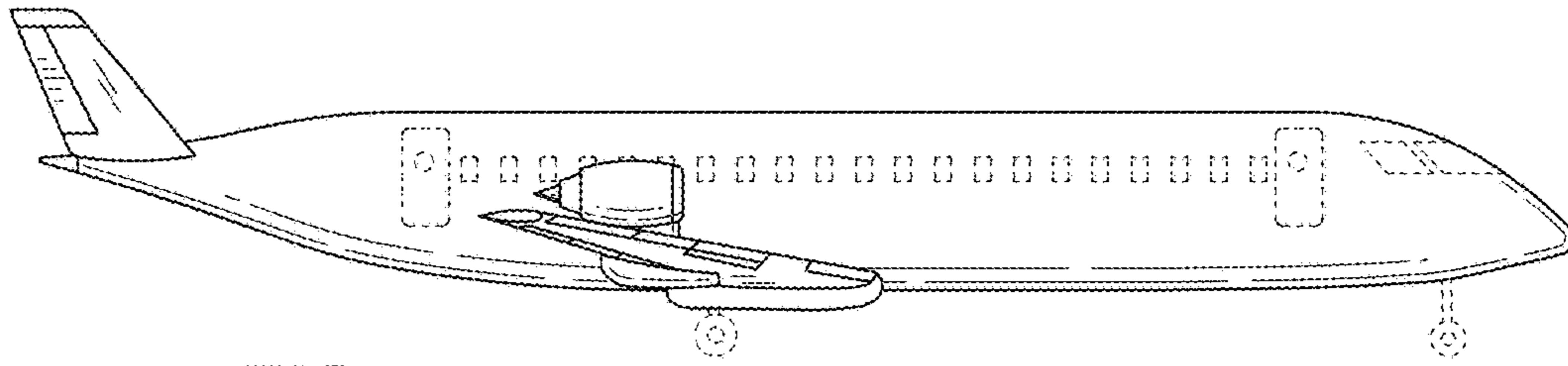


FIG. 5

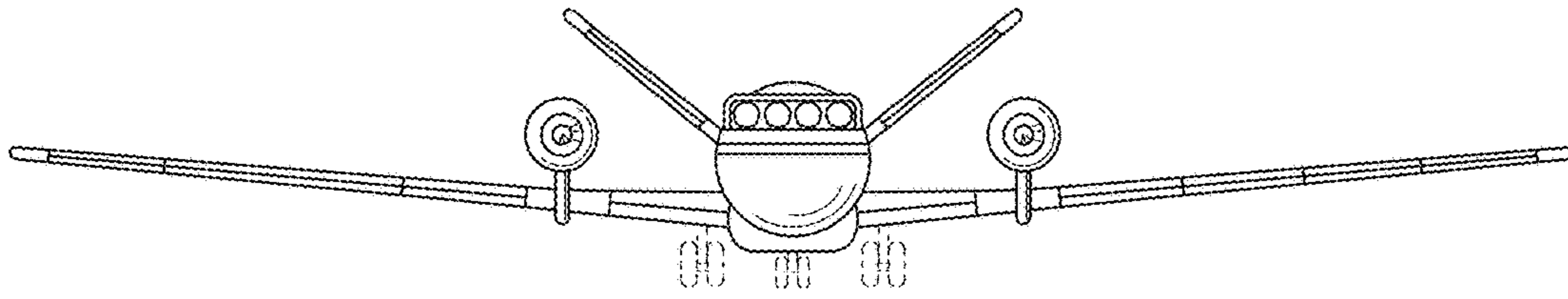


FIG. 6

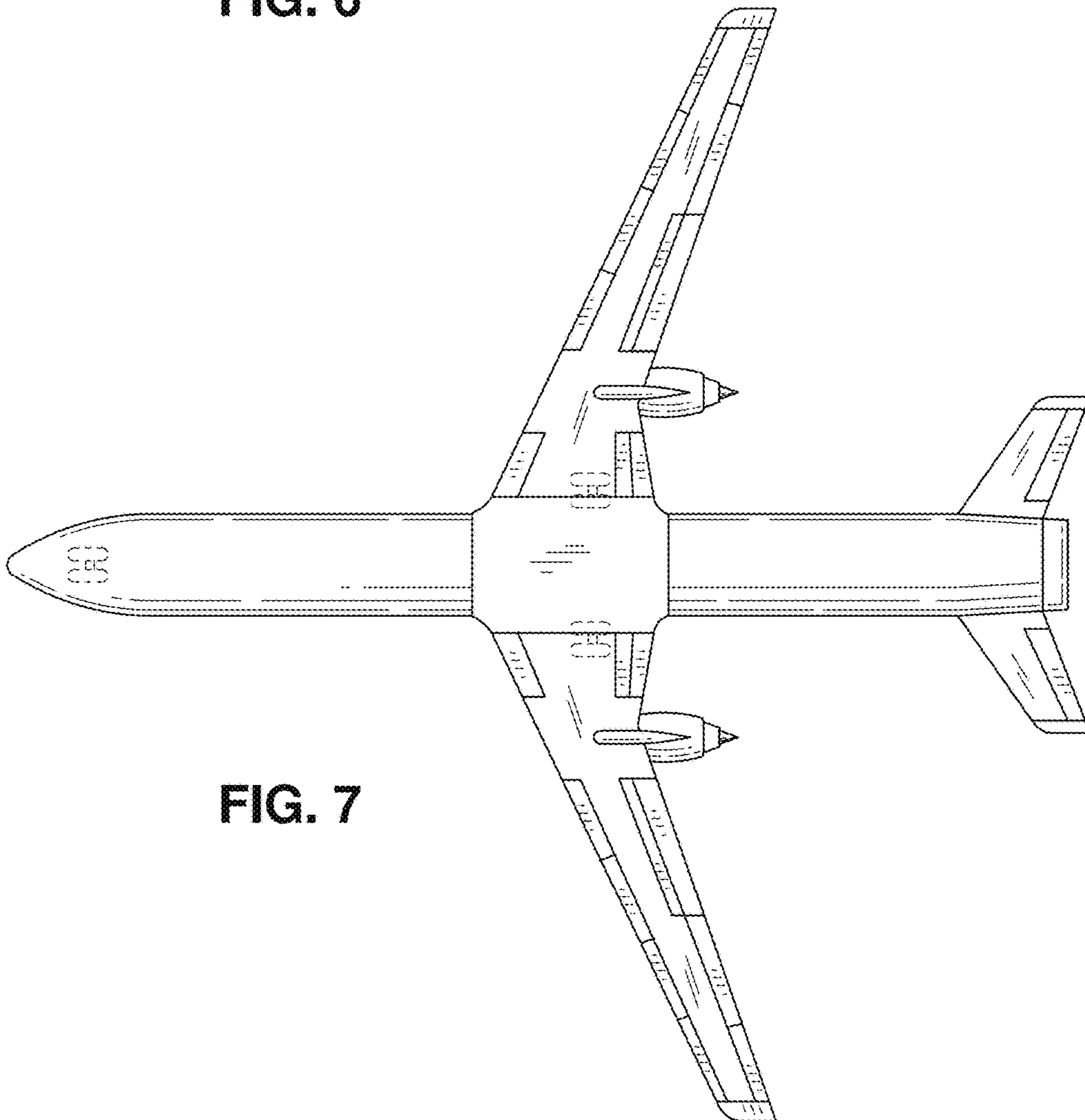


FIG. 7