



US00D829632S

(12) **United States Design Patent**
Mitzlaff

(10) **Patent No.:** **US D829,632 S**

(45) **Date of Patent:** **** *Oct. 2, 2018**

(54) **PERSONAL WATERCRAFT**

(71) Applicant: **Joe Thomas Mitzlaff**, Jacksonville, FL
(US)

(72) Inventor: **Joe Thomas Mitzlaff**, Jacksonville, FL
(US)

(*) Notice: This patent is subject to a terminal disclaimer.

(**) Term: **15 Years**

(21) Appl. No.: **29/554,398**

(22) Filed: **Feb. 11, 2016**

(51) **LOC (11) Cl.** **12-06**

(52) **U.S. Cl.**
USPC **D12/300**

(58) **Field of Classification Search**
USPC D12/300, 302, 303, 304, 316, 317;
114/343, 345, 347, 348, 351-358, 361,
114/363; D21/542, 801; 441/79
CPC B63B 35/71; B63B 35/715; B63B 35/73;
B63B 35/734; B63B 35/737; A63B
2069/068; B62B 2202/403
See application file for complete search history.

(56) **References Cited**

U.S. PATENT DOCUMENTS

D286,764 S * 11/1986 Turner D12/300
D325,720 S * 4/1992 Helmer D12/300
5,127,862 A * 7/1992 Pia B63B 35/7906
114/39.14
D399,814 S * 10/1998 Toro D12/300
D408,347 S * 4/1999 Craddock D12/300

D427,136 S * 6/2000 Roy D12/300
D431,521 S * 10/2000 Howard D12/300
D447,994 S * 9/2001 Morejohn D12/300
D448,339 S * 9/2001 Morejohn D12/300
D464,925 S * 10/2002 Bassani Antivari D12/300
D489,034 S * 4/2004 Kirkland, III D12/300
D564,436 S * 3/2008 Chambers D12/300
D630,150 S * 1/2011 Martin D12/302
D769,176 S * 10/2016 Monroe D12/302
2008/0035047 A1 * 2/2008 McDonough B63B 29/00
114/357

* cited by examiner

Primary Examiner — Cynthia M Chin

(74) *Attorney, Agent, or Firm* — Mark Young, P.A.

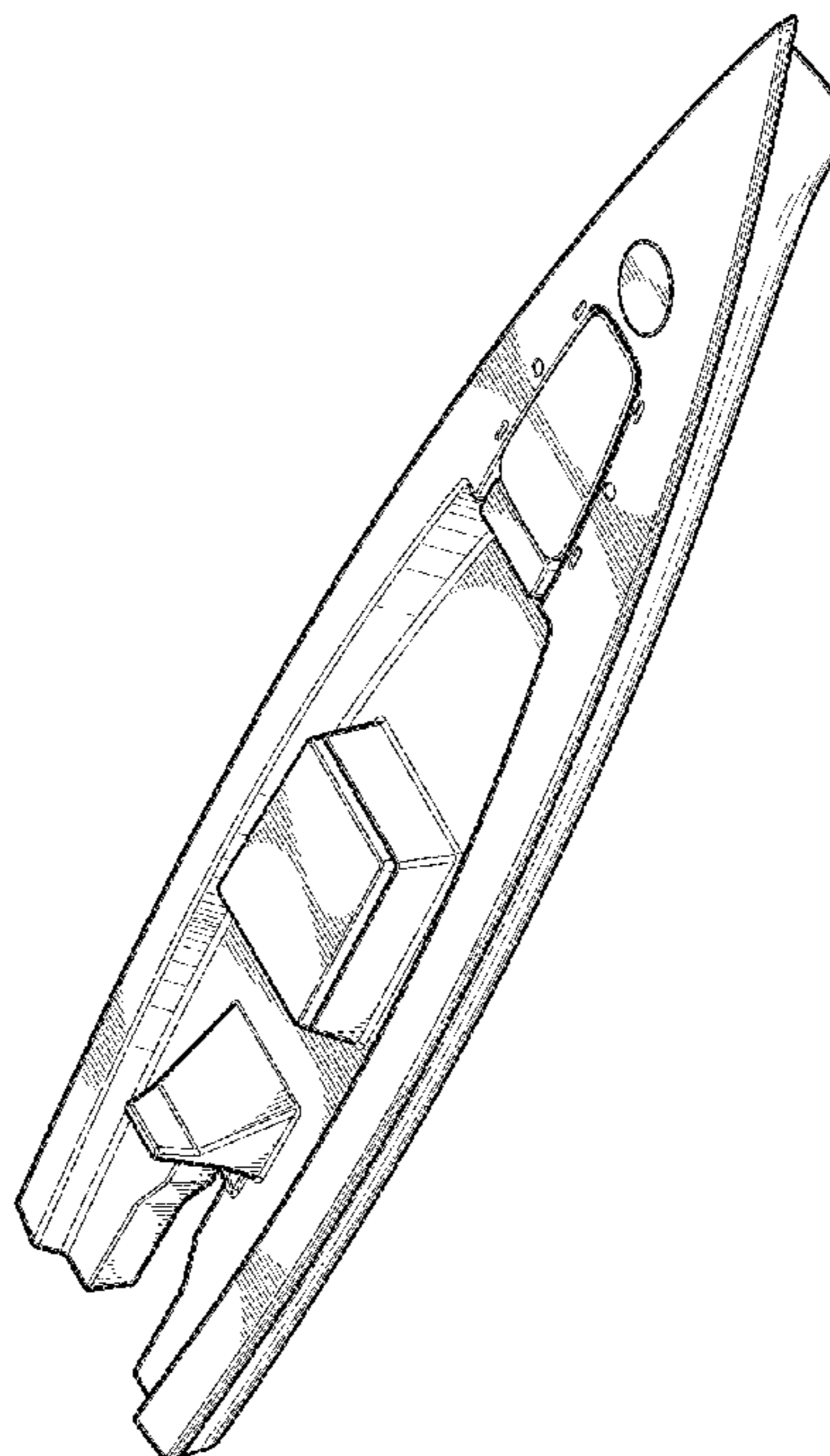
(57) **CLAIM**

The ornamental design for a personal watercraft, as shown and described.

DESCRIPTION

FIG. 1. is a plan view of a personal watercraft according to the invention; and
FIG. 2 is a first top perspective view of the personal watercraft of FIG. 1; and
FIG. 3 is a second top perspective view of the personal watercraft of FIG. 1; and
FIG. 4 is a first bottom perspective view of the personal watercraft of FIG. 1; and
FIG. 5 is a second bottom perspective view of the personal watercraft of FIG. 1; and
FIG. 6 is a first top exploded perspective view of the personal watercraft of FIG. 1 with a seat lid and storage lid removed; and
FIG. 7 is a front view of the personal watercraft of FIG. 1; and
FIG. 8 is a rear view of the personal watercraft of FIG. 1.

1 Claim, 8 Drawing Sheets



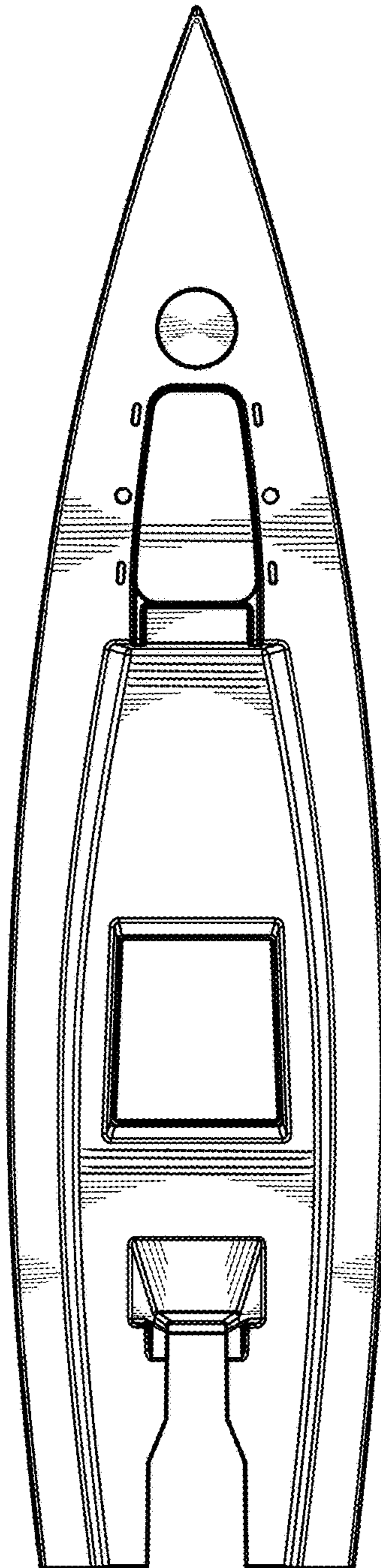


FIGURE 1

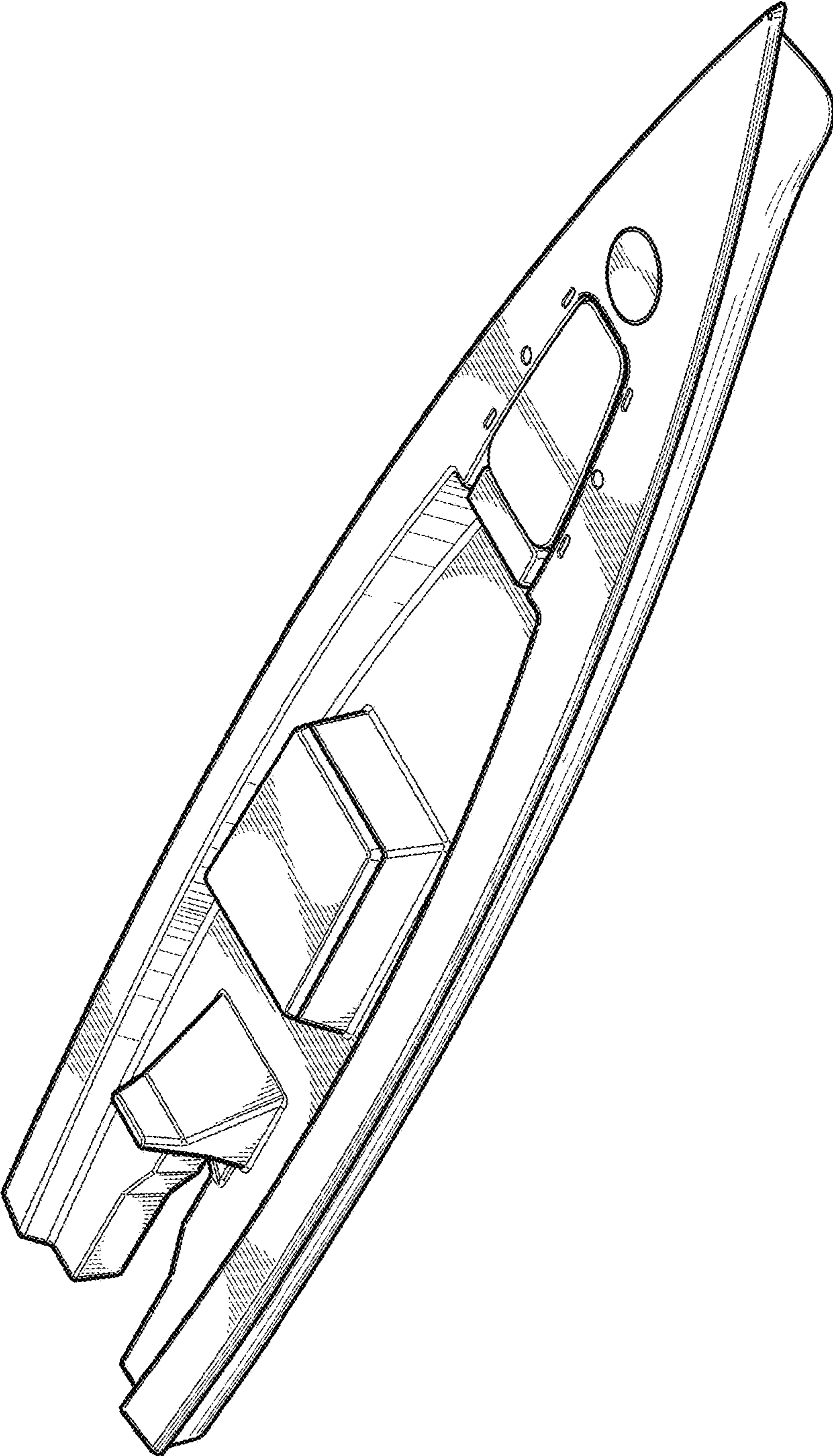


FIGURE 2

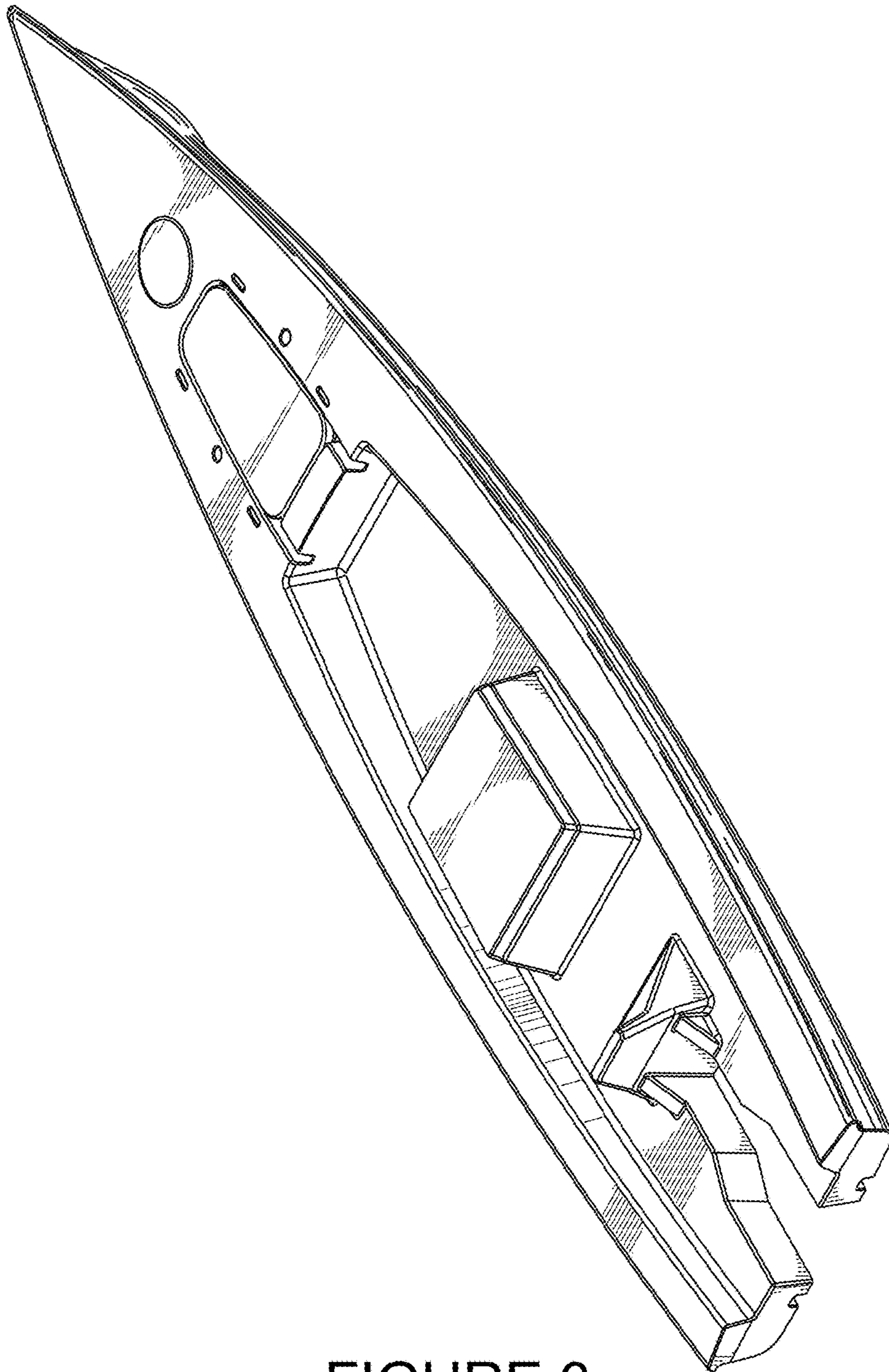


FIGURE 3

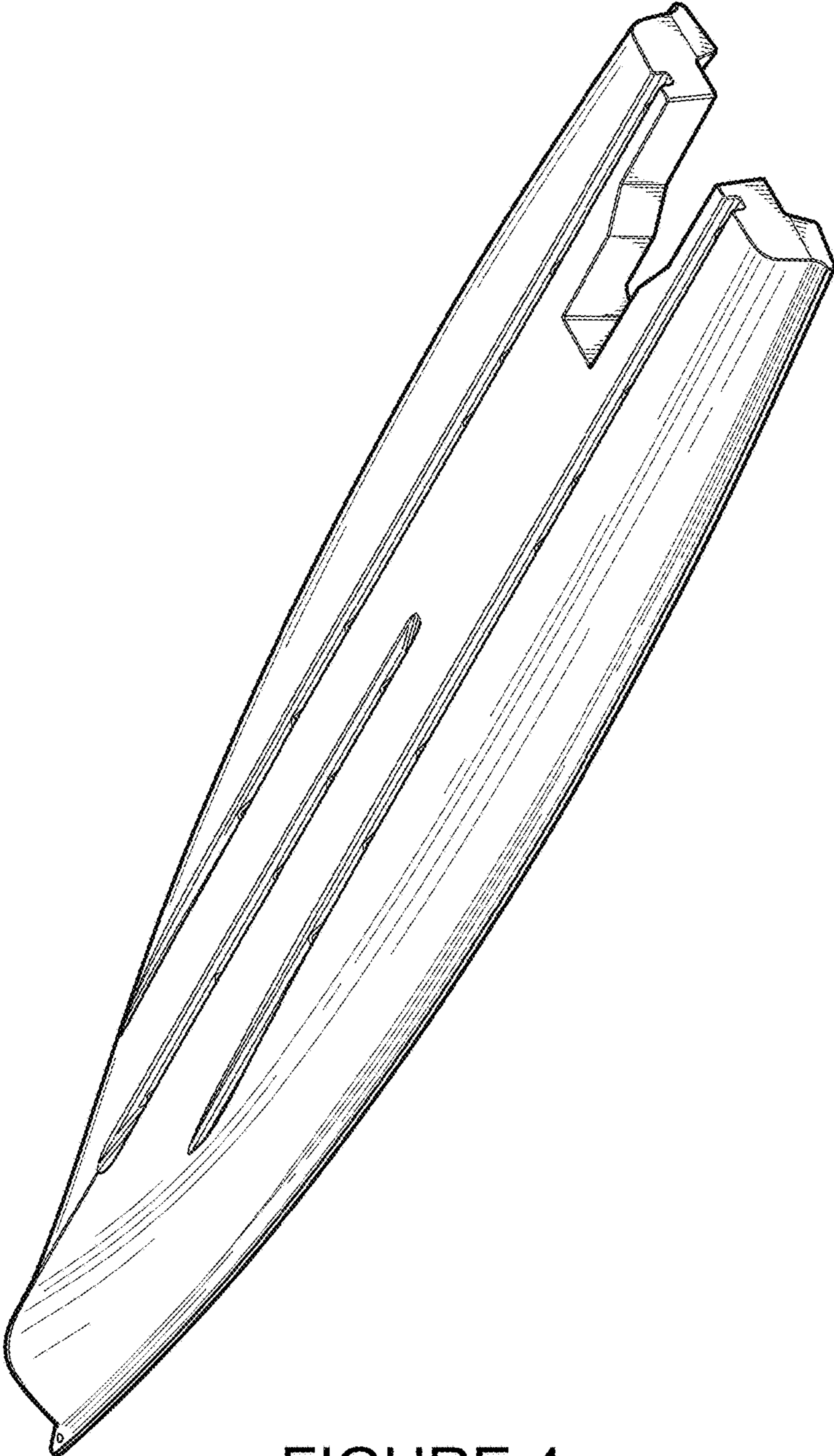


FIGURE 4

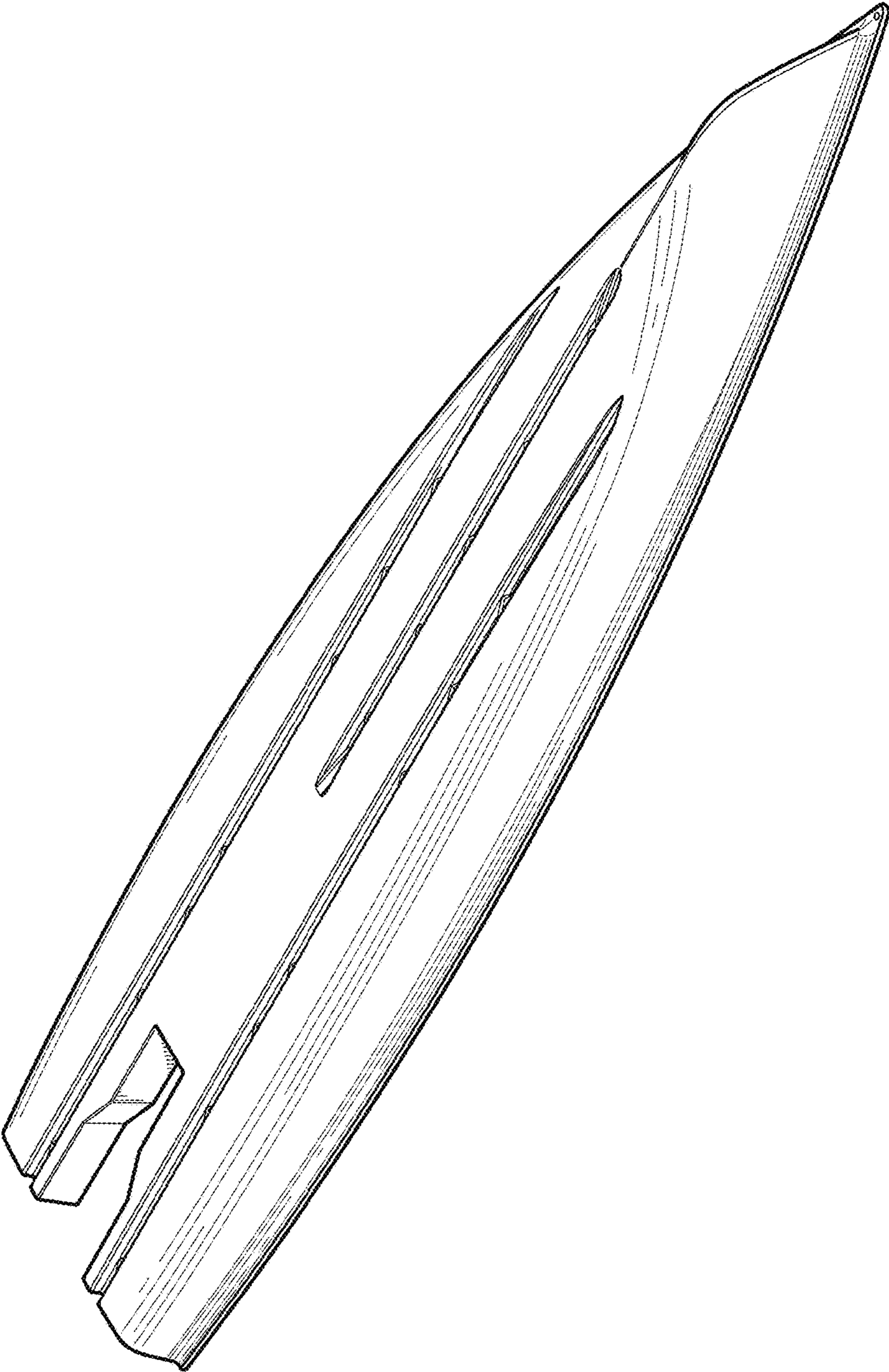


FIGURE 5

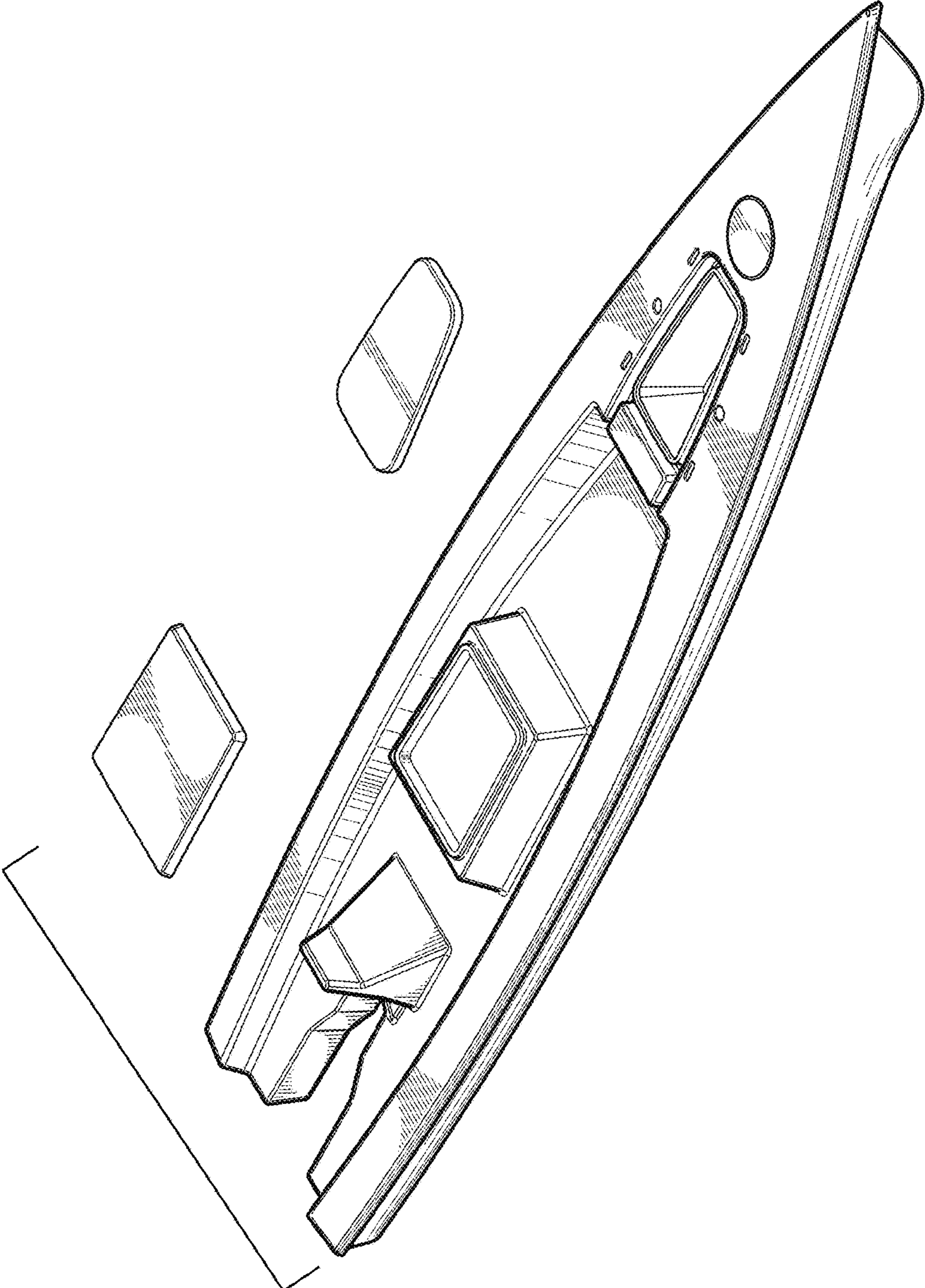


FIGURE 6

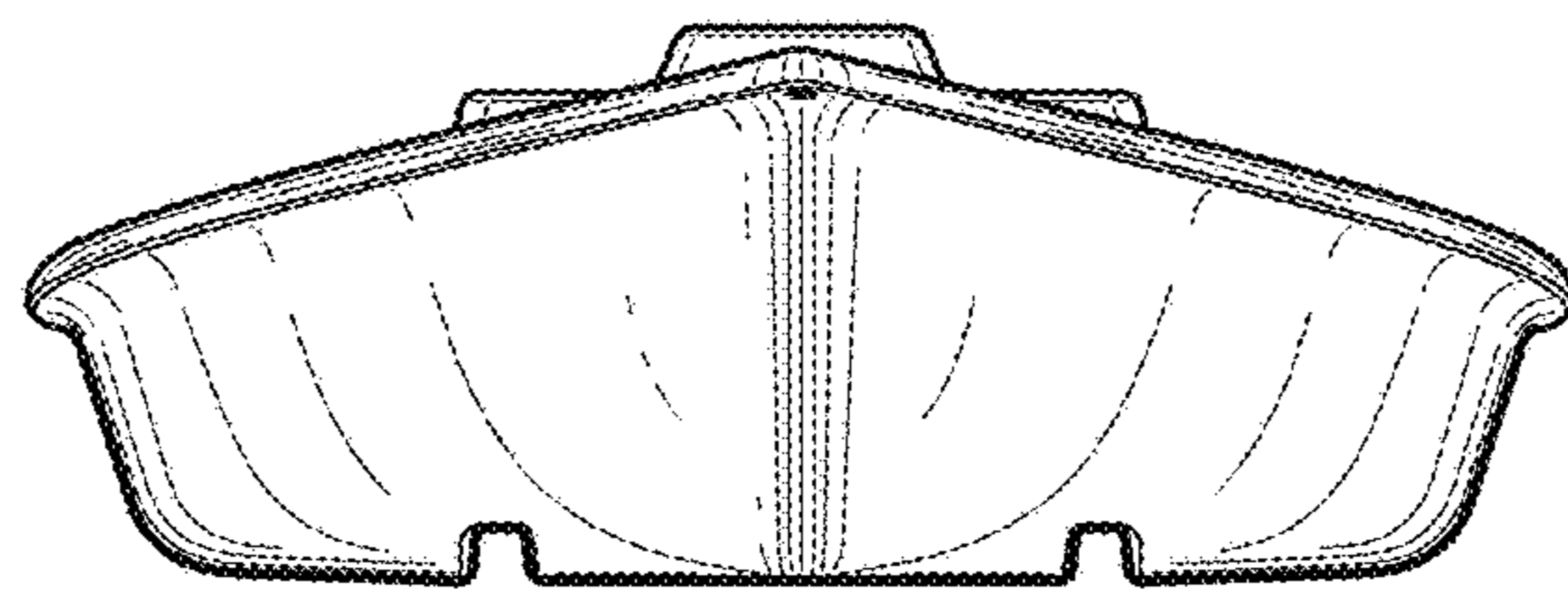


FIGURE 7

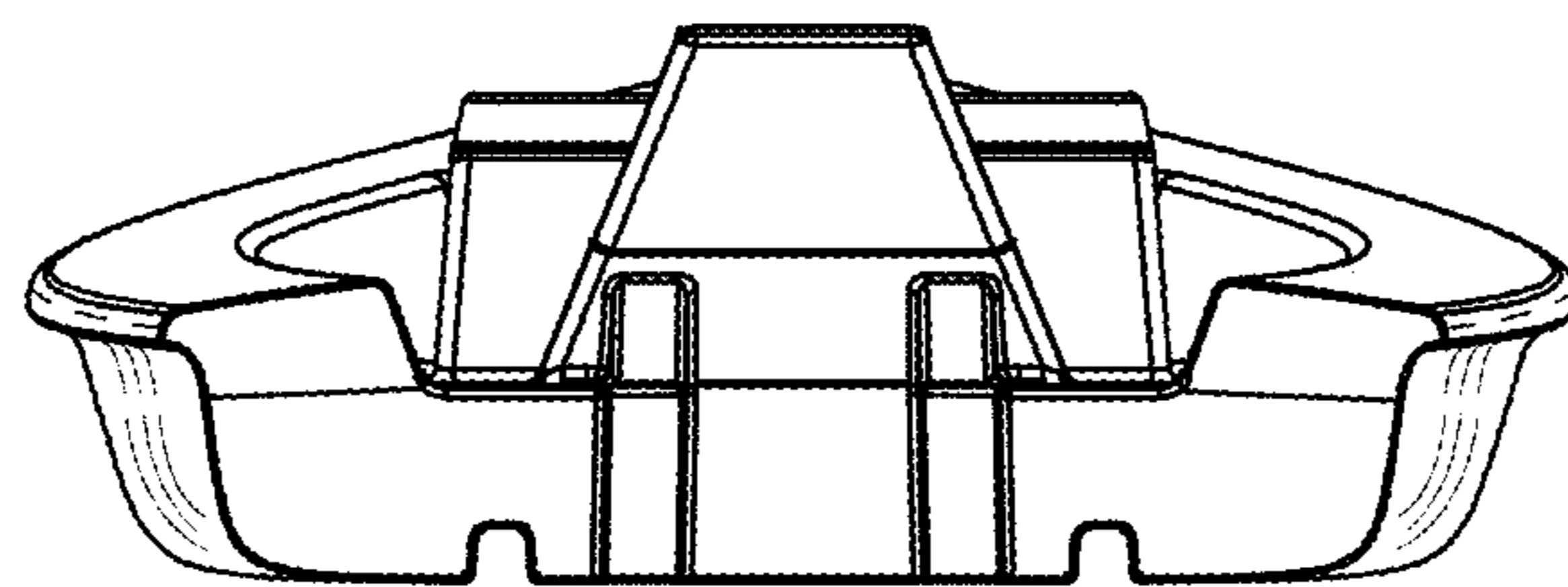


FIGURE 8