



US00D829631S

(12) **United States Design Patent**  
**Gallert**

(10) **Patent No.:** **US D829,631 S**

(45) **Date of Patent:** **\*\* Oct. 2, 2018**

- (54) **WHEEL FOR MOTOR VEHICLE**
- (71) Applicant: **Dr. Ing. h.c. F. Porsche**  
**Aktiengesellschaft, Stuttgart (DE)**
- (72) Inventor: **Michael Gallert, Stuttgart (DE)**
- (73) Assignee: **Dr. Ing. h.c. F. Porsche**  
**Aktiengesellschaft, Stuttgart (DE)**
- (\*\*) Term: **15 Years**
- (21) Appl. No.: **29/580,319**
- (22) Filed: **Oct. 7, 2016**
- (30) **Foreign Application Priority Data**

Apr. 8, 2016 (DE) ..... 40 2016 100 465

- (51) **LOC (11) Cl.** ..... **12-16**
- (52) **U.S. Cl.**  
USPC ..... **D12/209**
- (58) **Field of Classification Search**  
USPC ..... D12/204–213; D21/533, 561, 563  
CPC .... B60B 7/00; B60B 7/02; B60B 7/04; B60B  
7/06; B60B 3/02; B60B 3/04; B60B 3/06;  
B60B 3/10; B60B 1/00; B60B 1/08;  
B60B 1/10; B60B 1/12  
See application file for complete search history.

(56) **References Cited**

**U.S. PATENT DOCUMENTS**

- D517,968 S \* 3/2006 Morioka ..... D12/209
- D560,585 S \* 1/2008 Blasi ..... D12/209
- D617,243 S \* 6/2010 Juergens ..... D12/209
- D626,052 S \* 10/2010 Majdandzic ..... D12/209
- D656,443 S \* 3/2012 Fetherston ..... D12/209

- D673,096 S \* 12/2012 Platto ..... D12/209
- D684,517 S \* 6/2013 Scheinhütte
- D684,912 S \* 6/2013 Yamashita
- D697,004 S \* 1/2014 Pollmann ..... D12/209
- D705,151 S \* 5/2014 Scheinhütte
- D713,314 S \* 9/2014 Platto ..... D12/209
- D735,630 S \* 8/2015 Swanseger ..... D12/209
- D753,043 S \* 4/2016 Pollmann ..... D12/209
- D764,368 S \* 8/2016 Robinson
- D766,153 S \* 9/2016 Wheel ..... D12/209
- D783,494 S \* 4/2017 Macey ..... D12/209
- D784,233 S \* 4/2017 Hejtmanek ..... D12/209
- D788,675 S \* 6/2017 Kippes ..... D12/209
- D792,316 S \* 7/2017 Groth ..... D12/211
- D793,937 S \* 8/2017 Buck ..... D12/209
- D797,634 S \* 9/2017 Baccari ..... D12/209
- D797,635 S \* 9/2017 Rueckheim ..... D12/209
- D801,250 S \* 10/2017 Chung ..... D12/209
- D805,988 S \* 12/2017 Buck ..... D12/209
- D808,323 S \* 1/2018 Buck ..... D12/209

\* cited by examiner

*Primary Examiner* — Sheryl Lane

*Assistant Examiner* — Calvin E Vansant

(74) *Attorney, Agent, or Firm* — RatnerPrestia

(57) **CLAIM**

The ornamental design for a wheel for a motor vehicle, as shown and described.

**DESCRIPTION**

FIG. 1 is a left front perspective view of a wheel for a motor vehicle;

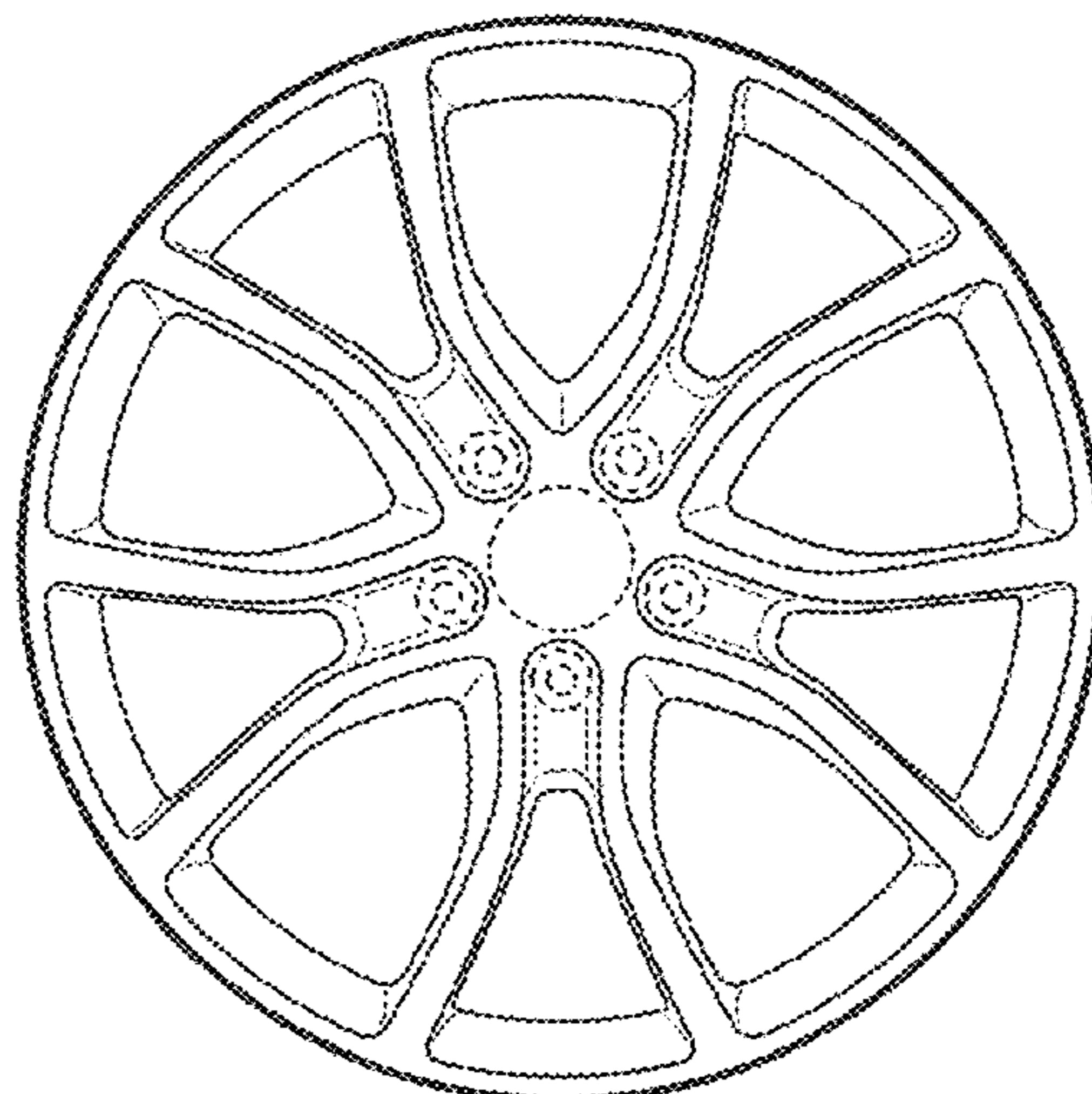
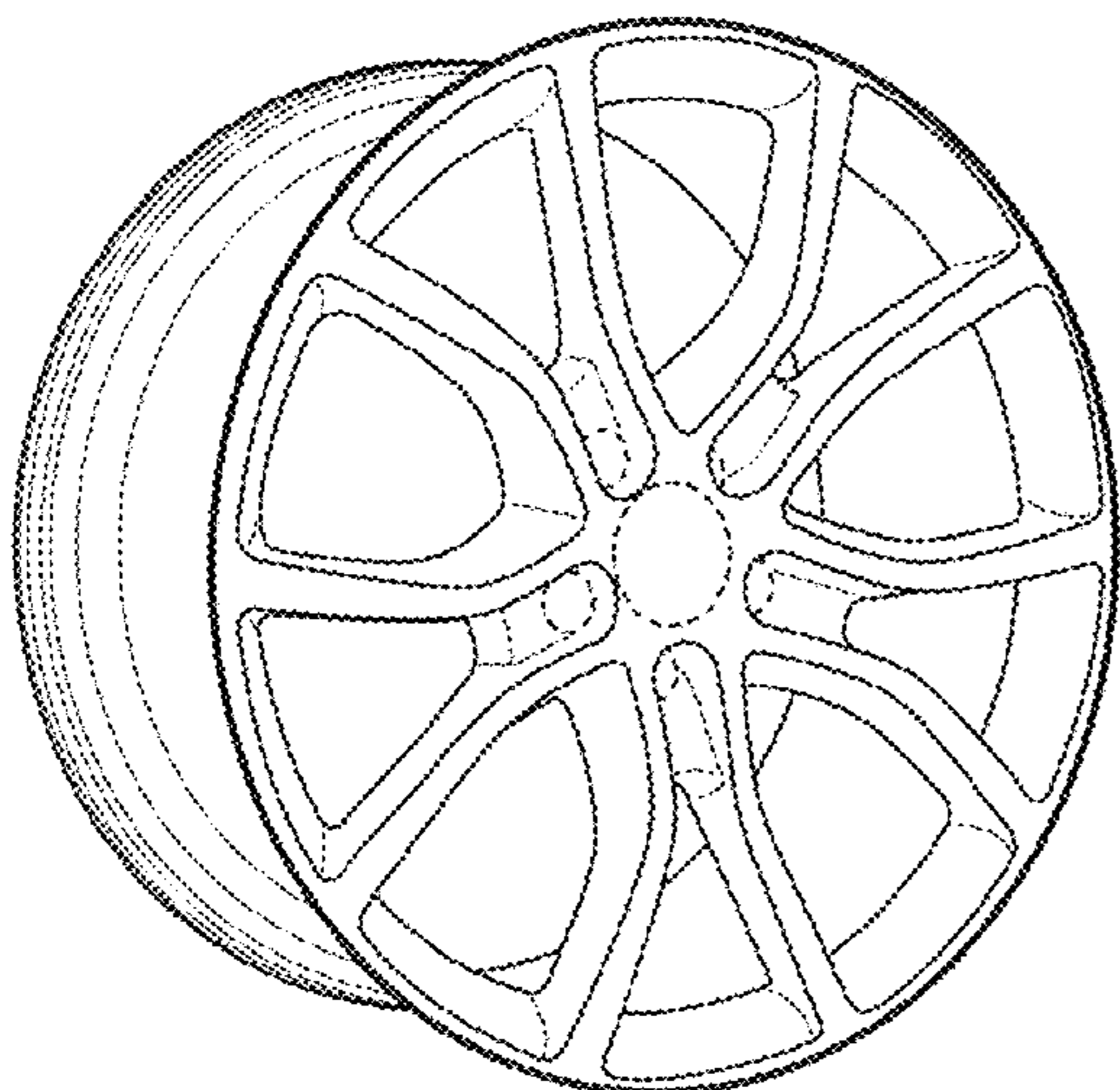
FIG. 2 is a right front perspective view thereof;

FIG. 3 is a front elevation view thereof; and,

FIG. 4 is a top plan view thereof.

The broken lines depict portions of the wheel for motor vehicle that form no part of the claim.

**1 Claim, 2 Drawing Sheets**



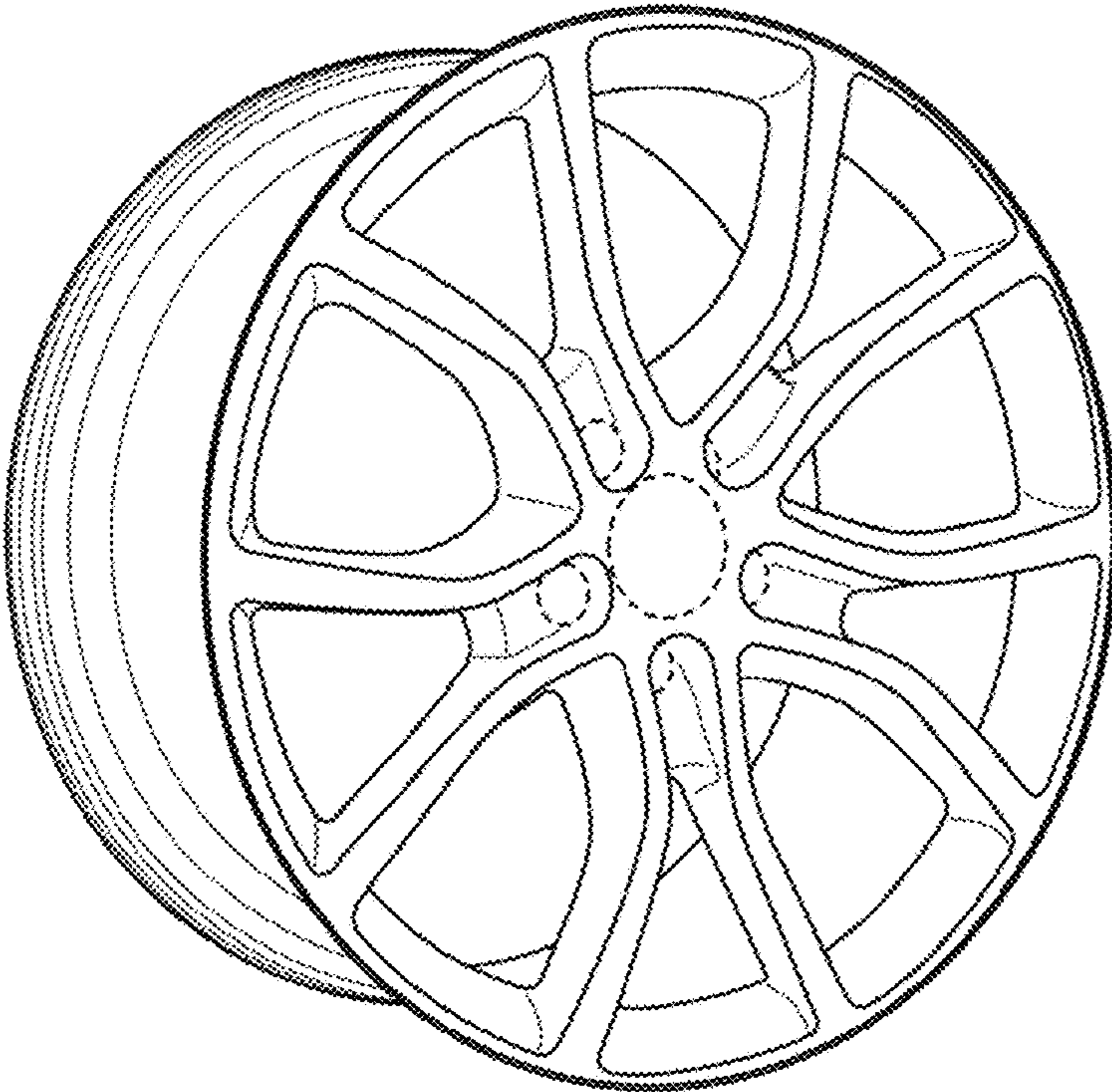


FIG. 1

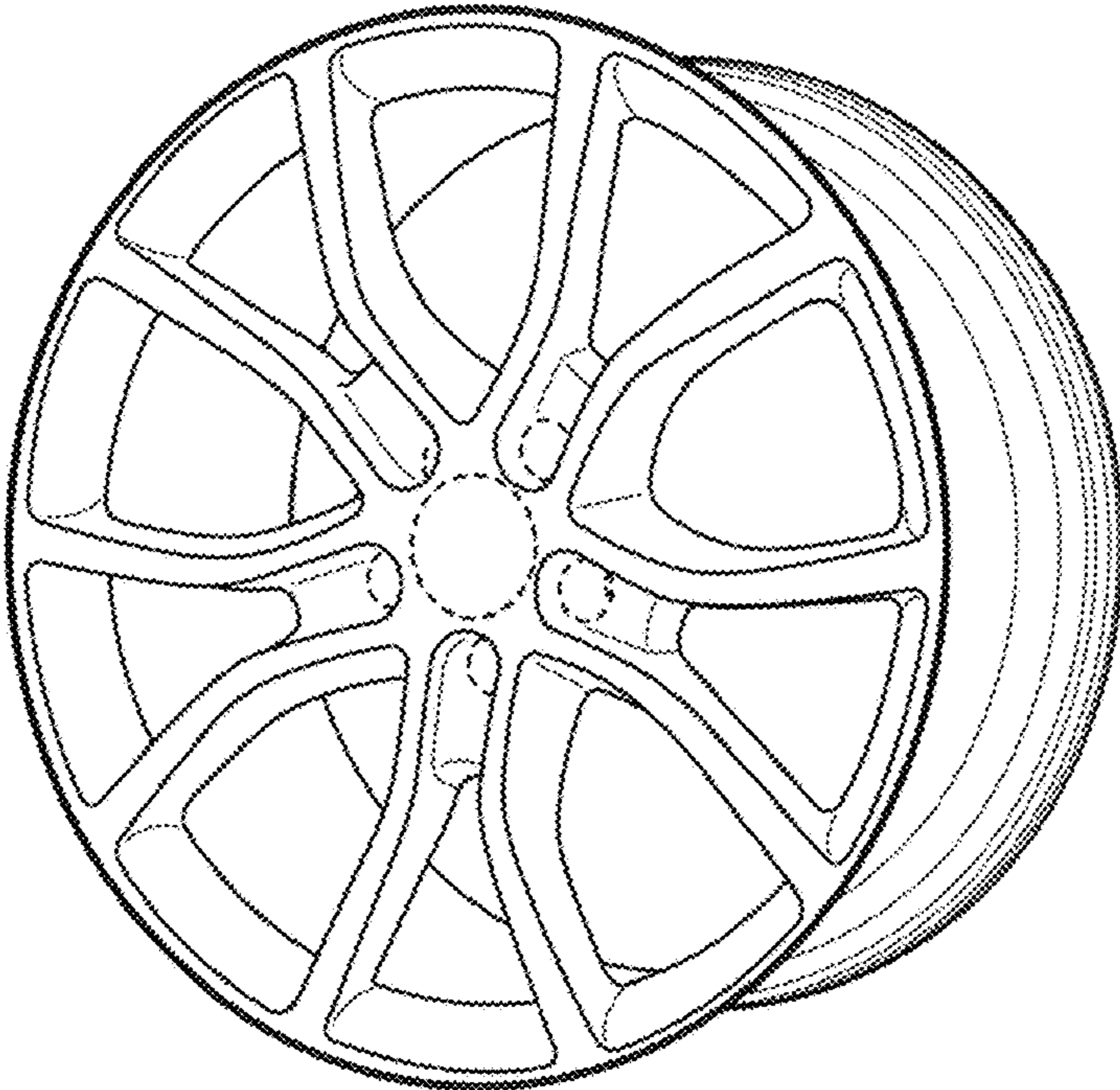


FIG. 2

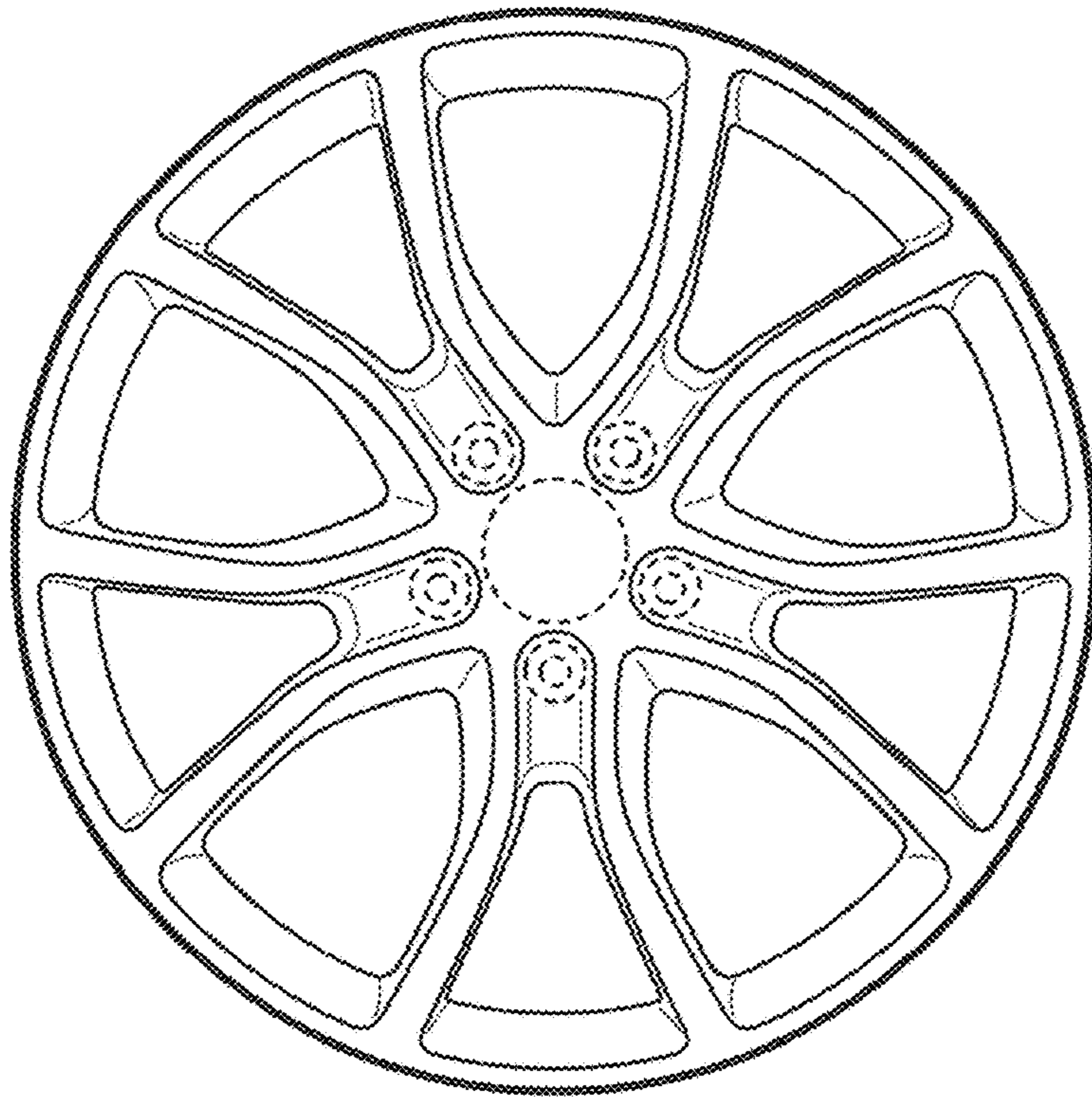


FIG. 3

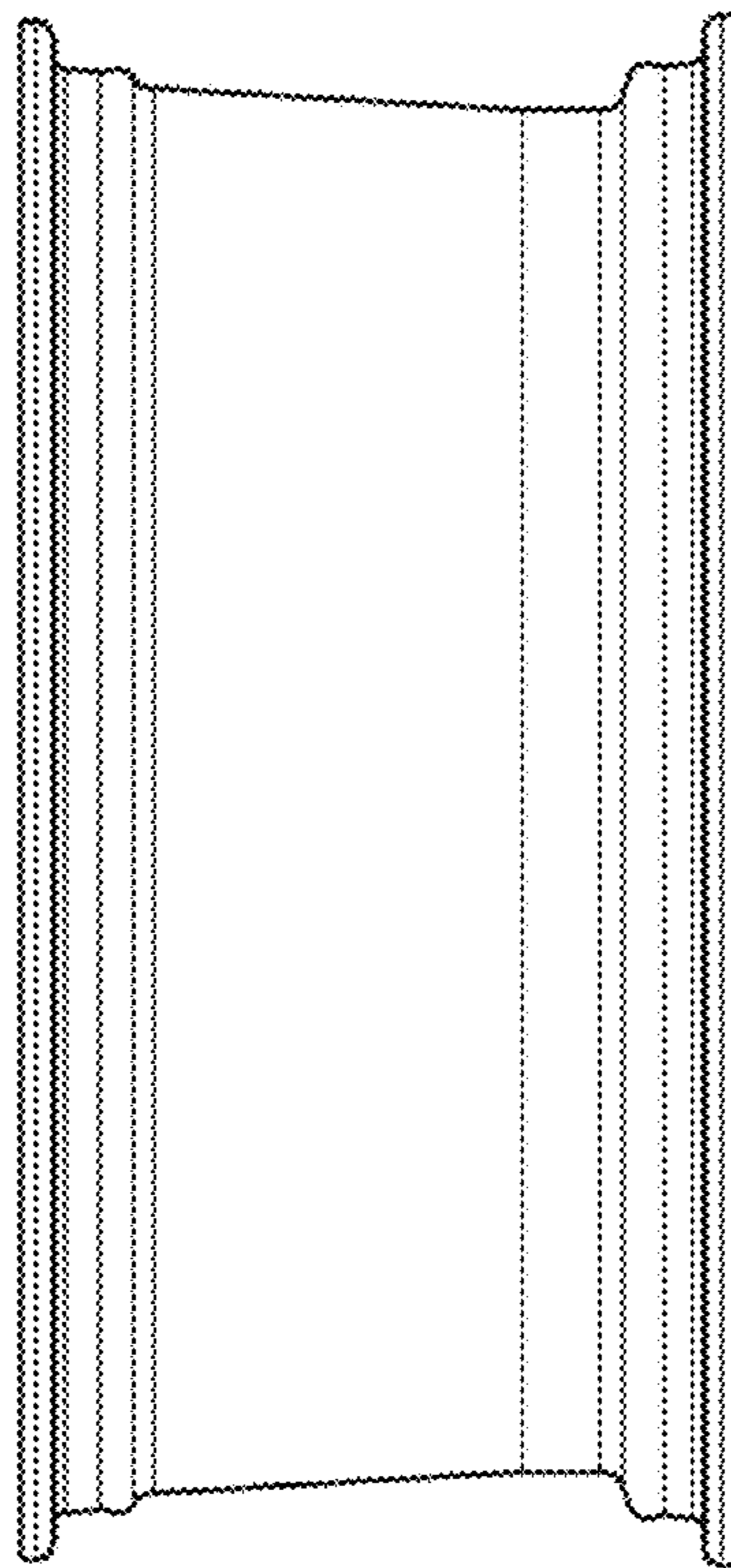


FIG. 4