



US00D829626S

(12) **United States Design Patent** (10) **Patent No.:** **US D829,626 S**
Tang (45) **Date of Patent:** **** Oct. 2, 2018**

(54) **VEHICLE SIDE STEP**
(71) Applicant: **Wai Kin Tang**, City of Industry, CA (US)
(72) Inventor: **Wai Kin Tang**, City of Industry, CA (US)
(**) Term: **15 Years**
(21) Appl. No.: **29/628,840**
(22) Filed: **Dec. 7, 2017**
(51) **LOC (11) Cl.** **12-16**
(52) **U.S. Cl.**
USPC **D12/203**
(58) **Field of Classification Search**
USPC D12/203, 89, 98, 314, 162, 190, 196
CPC .. B60R 3/002; B60R 3/02; B60R 3/00; B60R 3/005; B60R 3/007
See application file for complete search history.

D737,188 S * 8/2015 Perkins D12/203
D739,322 S * 9/2015 Villareal D12/203
D757,622 S * 5/2016 Wolf D12/203
D766,797 S * 9/2016 Li D12/203
9,511,716 B2 * 12/2016 Montoya B60R 9/02
D805,986 S * 12/2017 Chi D12/203
2016/0059774 A1 * 3/2016 Crandall B60Q 1/323
280/164.1

* cited by examiner

Primary Examiner — Michelle E. Wilson
Assistant Examiner — Clese Moore, Jr.
(74) *Attorney, Agent, or Firm* — Kirk A. Buhler; Buhler & Associates

(57) **CLAIM**

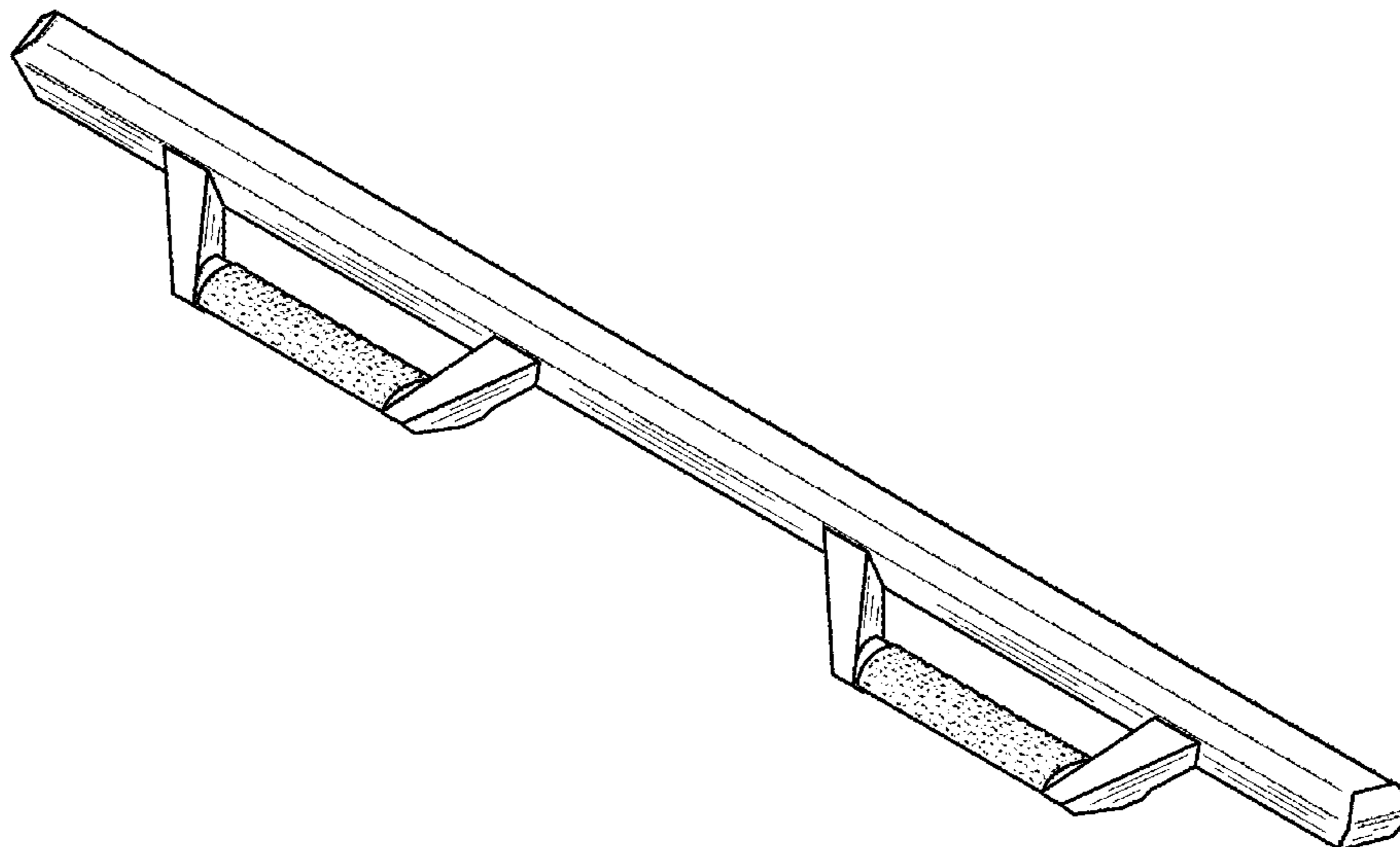
The ornamental design for a vehicle side step, as shown.

DESCRIPTION

FIG. 1 is a top perspective view of a vehicle side step showing my new design;
FIG. 2 is a top plan view thereof;
FIG. 3 is a rear elevation view thereof;
FIG. 4 is a front elevation view thereof;
FIG. 5 is a top plan view thereof;
FIG. 6 is a left side elevation view thereof;
FIG. 7 is a right-side elevation view thereof, and,
FIG. 8 is a perspective view thereof shown in an environment of use.
The broken lines in FIGS. 1-4 and 8 depict environmental subject matter of tread on the steps and form no part of the claimed design.
The broken lines in FIG. 8 depict environmental subject matter of vehicle and form no part of the claimed design.

1 Claim, 4 Drawing Sheets

(56) **References Cited**
U.S. PATENT DOCUMENTS
D494,914 S * 8/2004 Elwell D12/203
D495,646 S * 9/2004 Elwell D12/203
D505,901 S * 6/2005 Wang D12/203
D532,354 S * 11/2006 Storer D12/203
D545,747 S * 7/2007 Storer D12/203
D546,745 S * 7/2007 Storer D12/203
D568,222 S * 5/2008 Storer D12/203
D658,559 S * 5/2012 Hodges D12/203
D665,713 S * 8/2012 Pochurek D12/203
D671,874 S * 12/2012 Kekich, Jr. D12/203
8,448,968 B1 * 5/2013 Grote B60R 3/002
280/163
8,864,158 B1 10/2014 Perkins
D720,674 S * 1/2015 Stanesic D12/203
D731,384 S * 6/2015 Farr D12/203



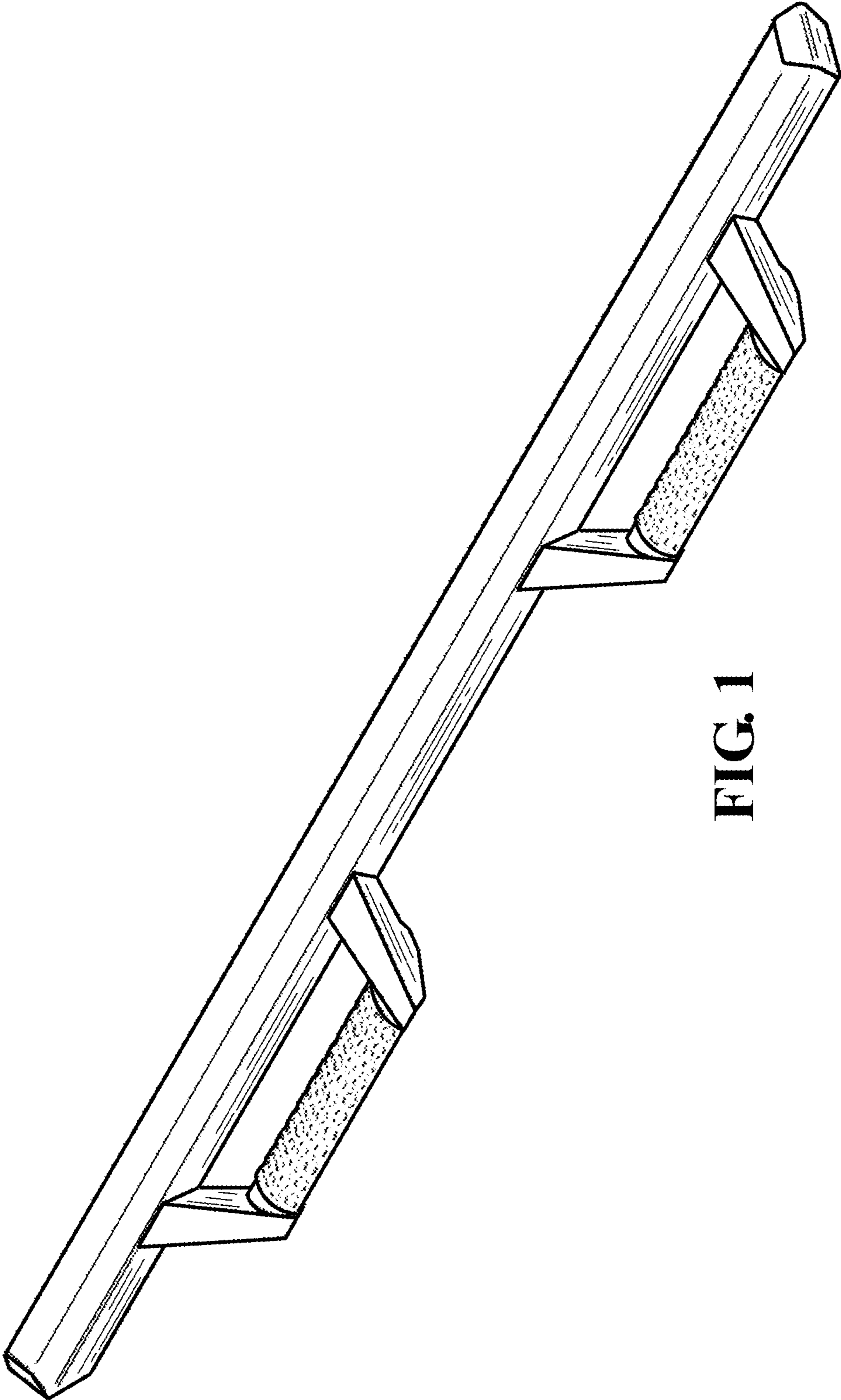


FIG. 1

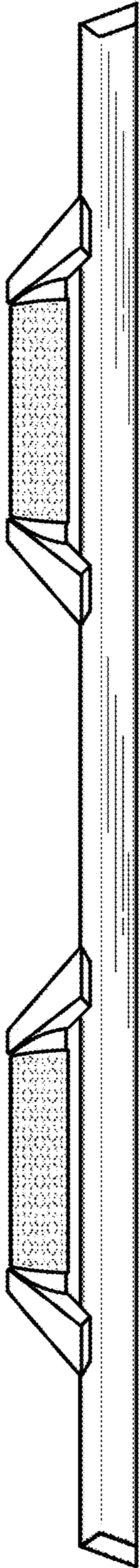


FIG. 2

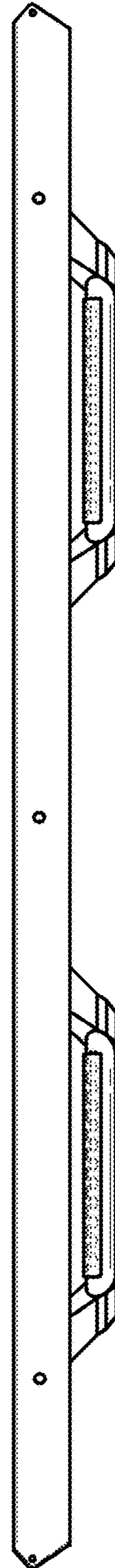


FIG. 3

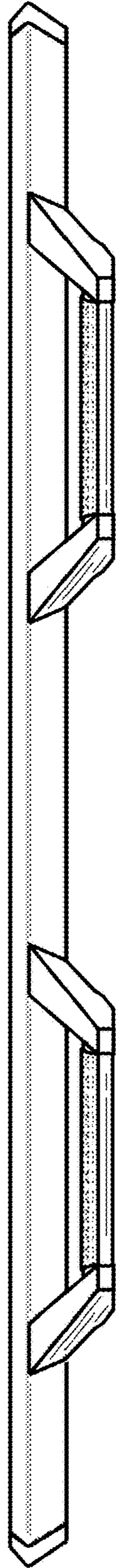


FIG. 4

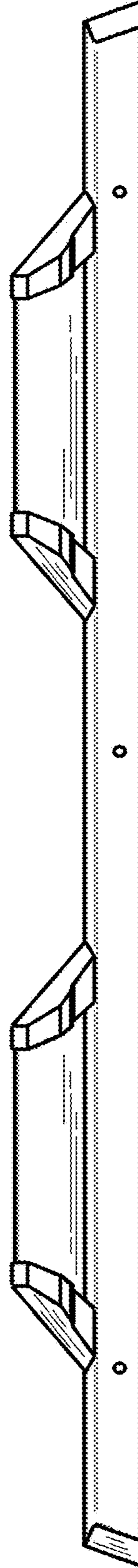


FIG. 5

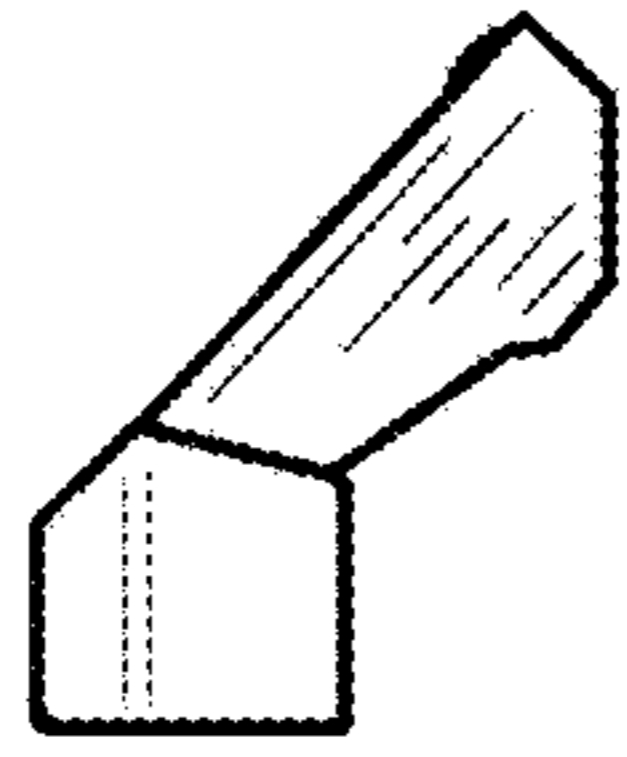


FIG. 6

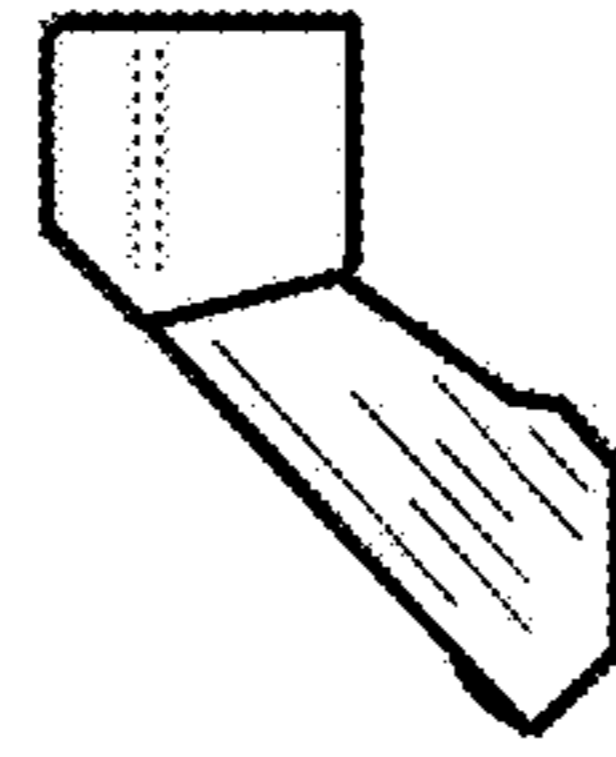


FIG. 7

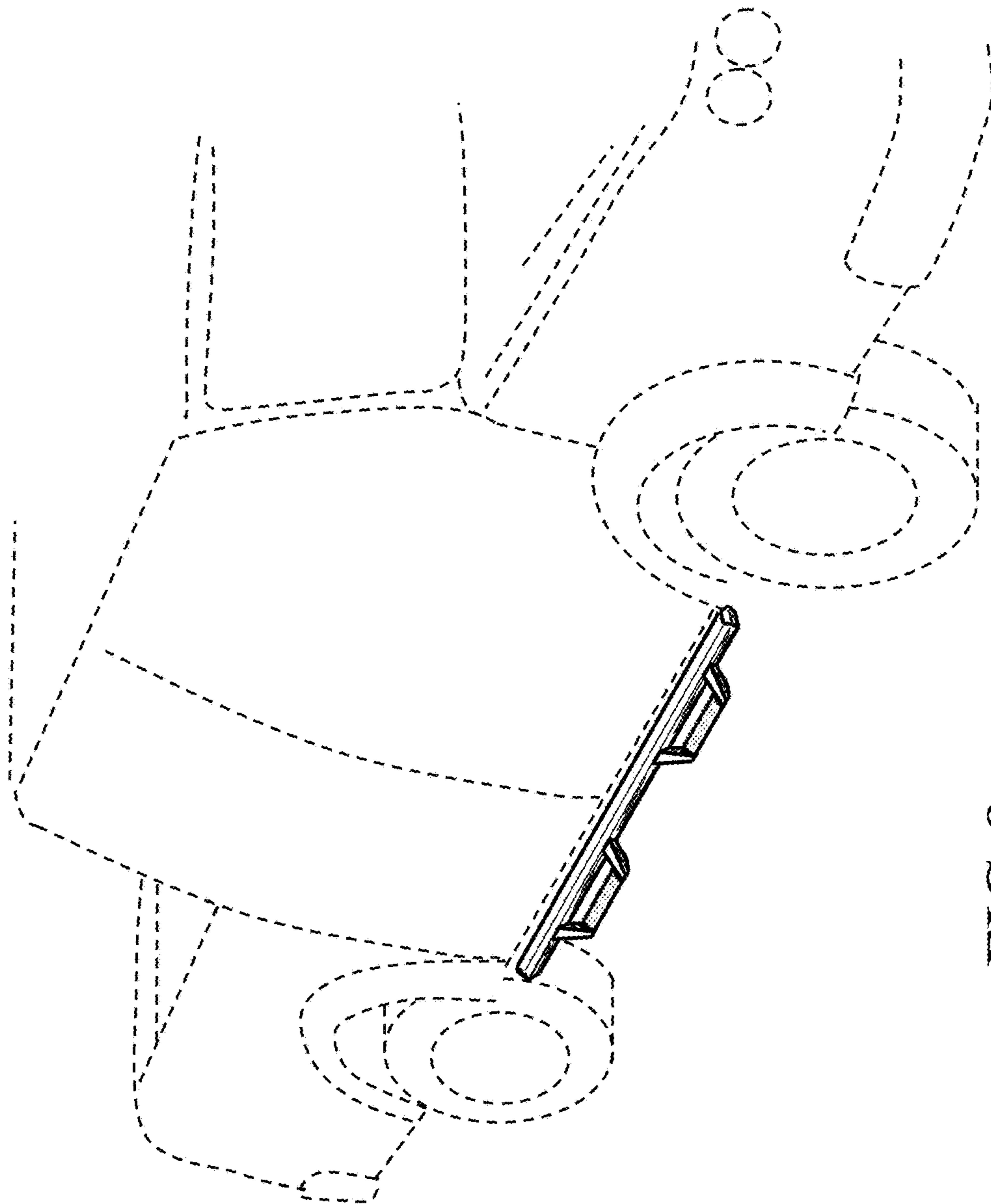


FIG. 8