



US00D829624S

(12) **United States Design Patent** (10) **Patent No.:** **US D829,624 S**
Jamieson (45) **Date of Patent:** **** Oct. 2, 2018**

- (54) **VEHICLE EXTERIOR VENT UNIT**
- (71) Applicant: **GM Global Technology Operations LLC, Detroit, MI (US)**
- (72) Inventor: **Stuart Jamieson, Burbank, CA (US)**
- (73) Assignee: **GM GLOBAL TECHNOLOGY OPERATIONS LLC, Detroit, MI (US)**
- (**) Term: **15 Years**
- (21) Appl. No.: **29/566,797**
- (22) Filed: **Jun. 2, 2016**

- D545,258 S * 6/2007 Teng D12/190
- D566,022 S * 4/2008 Johnson D12/190
- D586,273 S * 2/2009 Hamburger D12/181
- D598,345 S * 8/2009 Juraschek D12/181
- D600,181 S * 9/2009 Larson D12/181
- D606,183 S * 12/2009 Rosenbohm D12/16
- D606,468 S * 12/2009 Varga D12/181
- D609,149 S * 2/2010 Larson D12/181
- D617,702 S 6/2010 Kobayashi
- D628,525 S * 12/2010 Fisker D12/190
- D635,068 S 3/2011 Neuchi et al.
- D643,349 S 8/2011 Schell et al.
- D643,789 S 8/2011 Bauer et al.
- D659,059 S * 5/2012 Elmitt D12/190
- D670,625 S 11/2012 Frei et al.
- D695,164 S 12/2013 Futschik et al.
- D717,222 S * 11/2014 Waterman D12/190
- D718,681 S 12/2014 Allen et al.
- D748,547 S * 2/2016 Battams D12/190
- D763,152 S * 8/2016 Frascella D12/190

Related U.S. Application Data

- (63) Continuation-in-part of application No. 29/482,183, filed on Feb. 14, 2014.
- (51) **LOC (11) Cl.** **12-16**
- (52) **U.S. Cl.**
USPC **D12/196; D12/190**
- (58) **Field of Classification Search**
USPC D12/196, 181, 169, 190, 164; D23/327
CPC ... B60R 13/04; B60R 13/06; B60R 2011/004;
B60R 19/52; B62D 35/00
See application file for complete search history.

Primary Examiner — George D. Kirschbaum

Assistant Examiner — Clese Moore, Jr.

(74) *Attorney, Agent, or Firm* — Cynthia R. Parks; Parks IP Law LLC

(Continued)

(57) **CLAIM**

I claim the ornamental design for a vehicle exterior vent unit, as shown and described.

DESCRIPTION

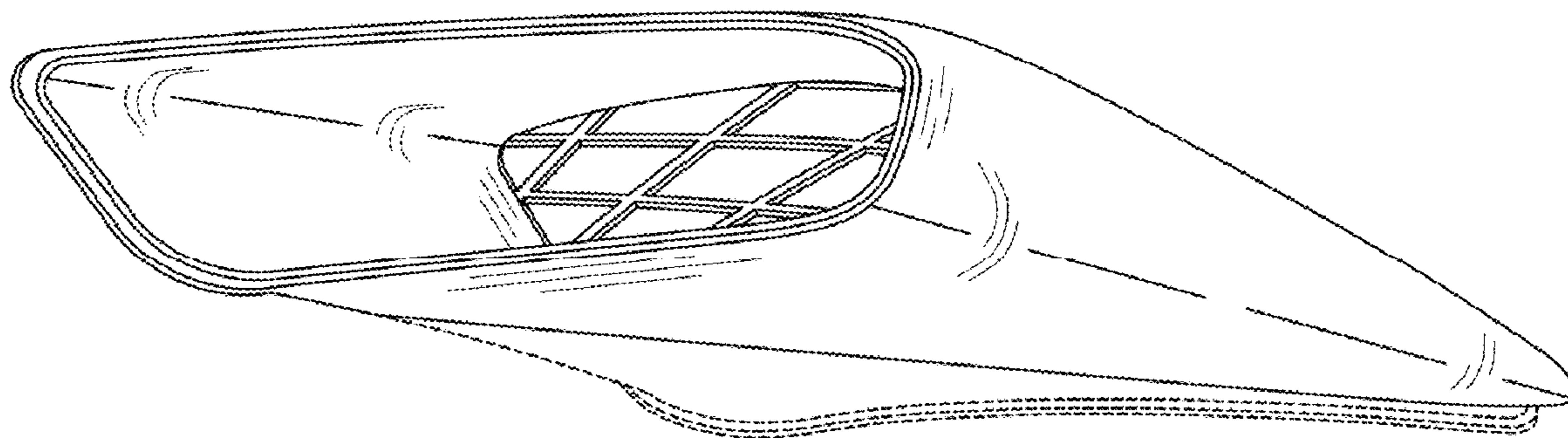
FIG. 1 is a perspective view of a vehicle exterior vent unit comprising a housing attached to a diffuser vent;
FIG. 2 is a top view thereof;
FIG. 3 is a side view thereof;
FIG. 4 is a front perspective view thereof; and,
FIG. 5 is a front view thereof, with the housing removed to show detail of the diffuser vent.
The broken lines shown illustrate portions of the vehicle exterior vent unit that form no part of the claimed design.

1 Claim, 1 Drawing Sheet

(56) **References Cited**

U.S. PATENT DOCUMENTS

- D286,277 S 10/1986 Biondo
- D316,072 S * 4/1991 Wayne D12/190
- D411,139 S 6/1999 Lai
- D449,254 S 10/2001 Larson
- D457,471 S * 5/2002 Simcox D12/173
- D461,752 S * 8/2002 Davis D12/190
- D497,860 S * 11/2004 Hoelzel D12/196
- D524,705 S * 7/2006 Bettino D12/181
- D540,228 S * 4/2007 Lai D12/190
- D540,229 S * 4/2007 Lai D12/190



(56)

References Cited

U.S. PATENT DOCUMENTS

D796,404 S * 9/2017 Nurnberger D12/181
2008/0036222 A1 2/2008 Iwamoto et al.
2013/0313032 A1 11/2013 Fiello et al.

* cited by examiner

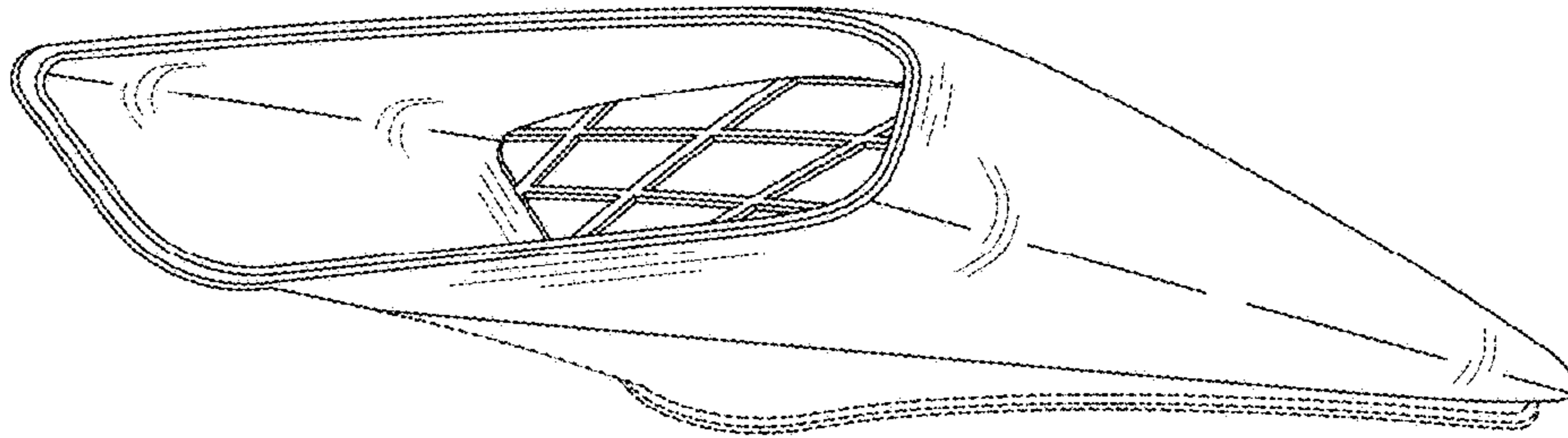


Fig-1

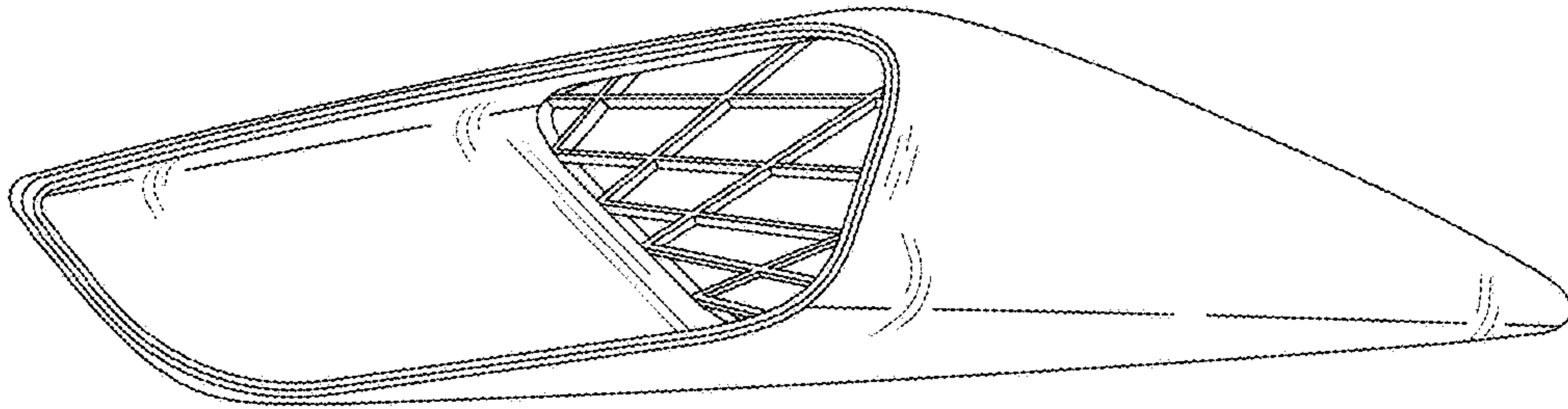


Fig-2

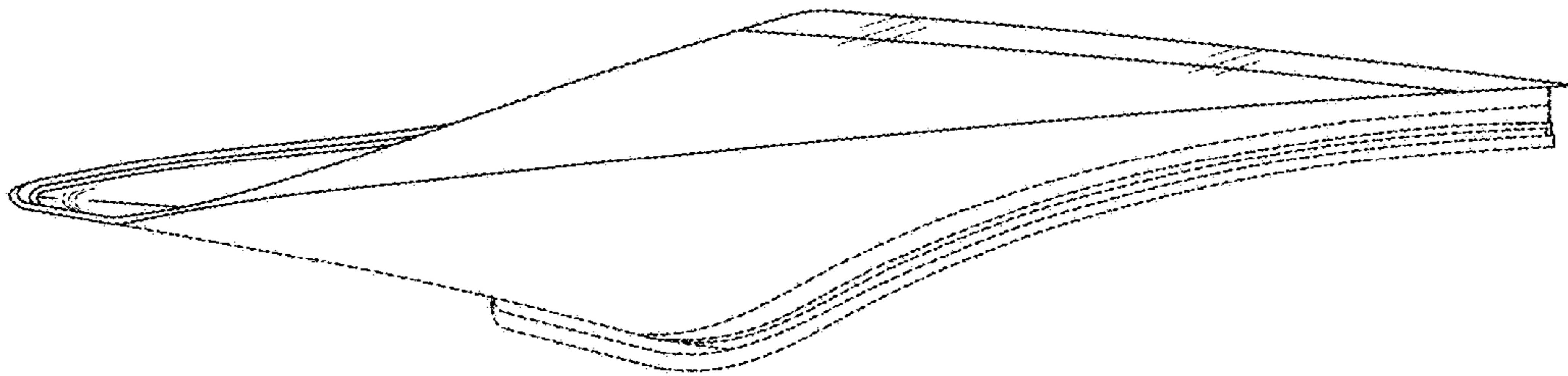


Fig-3

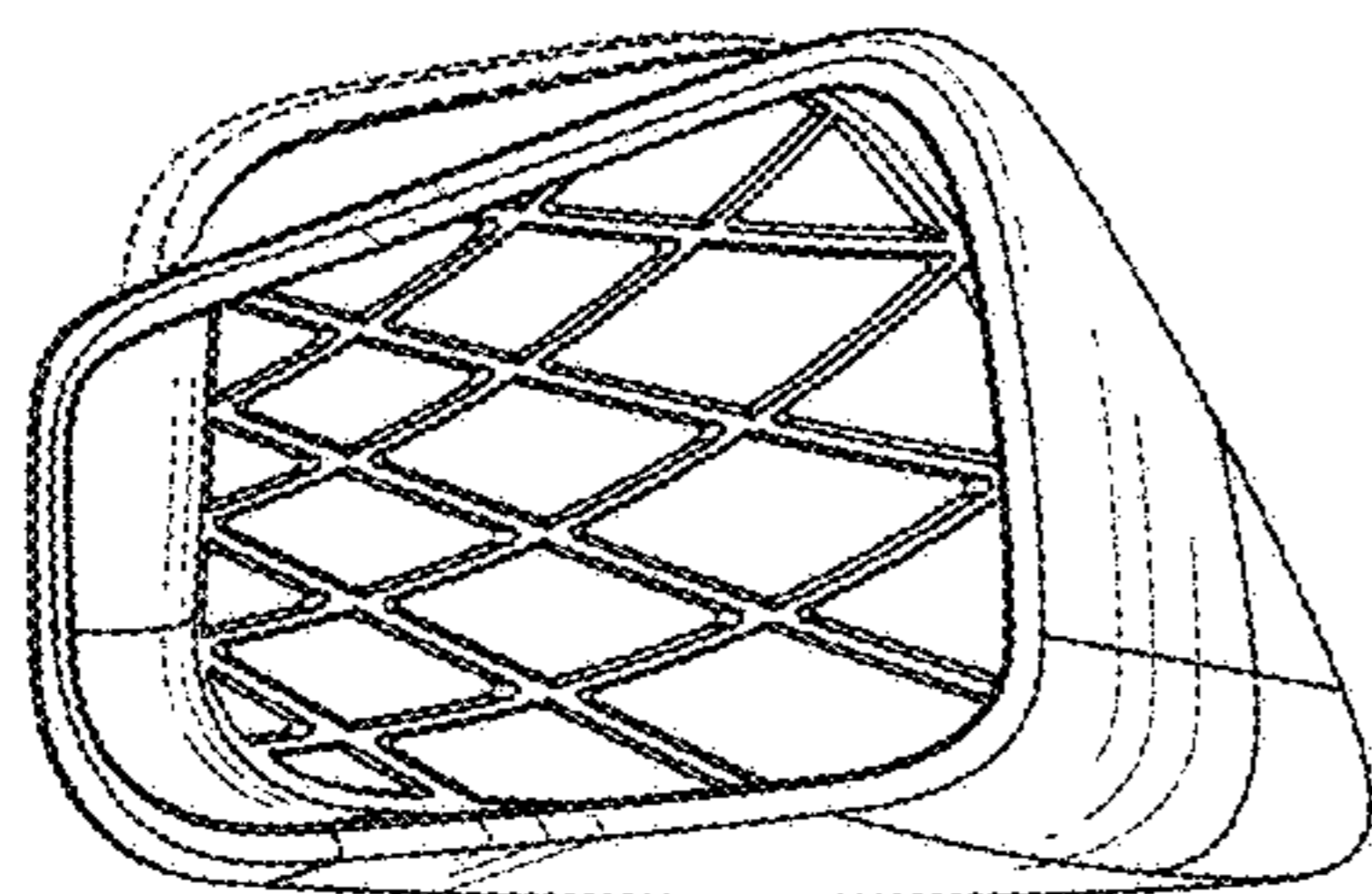


Fig-4

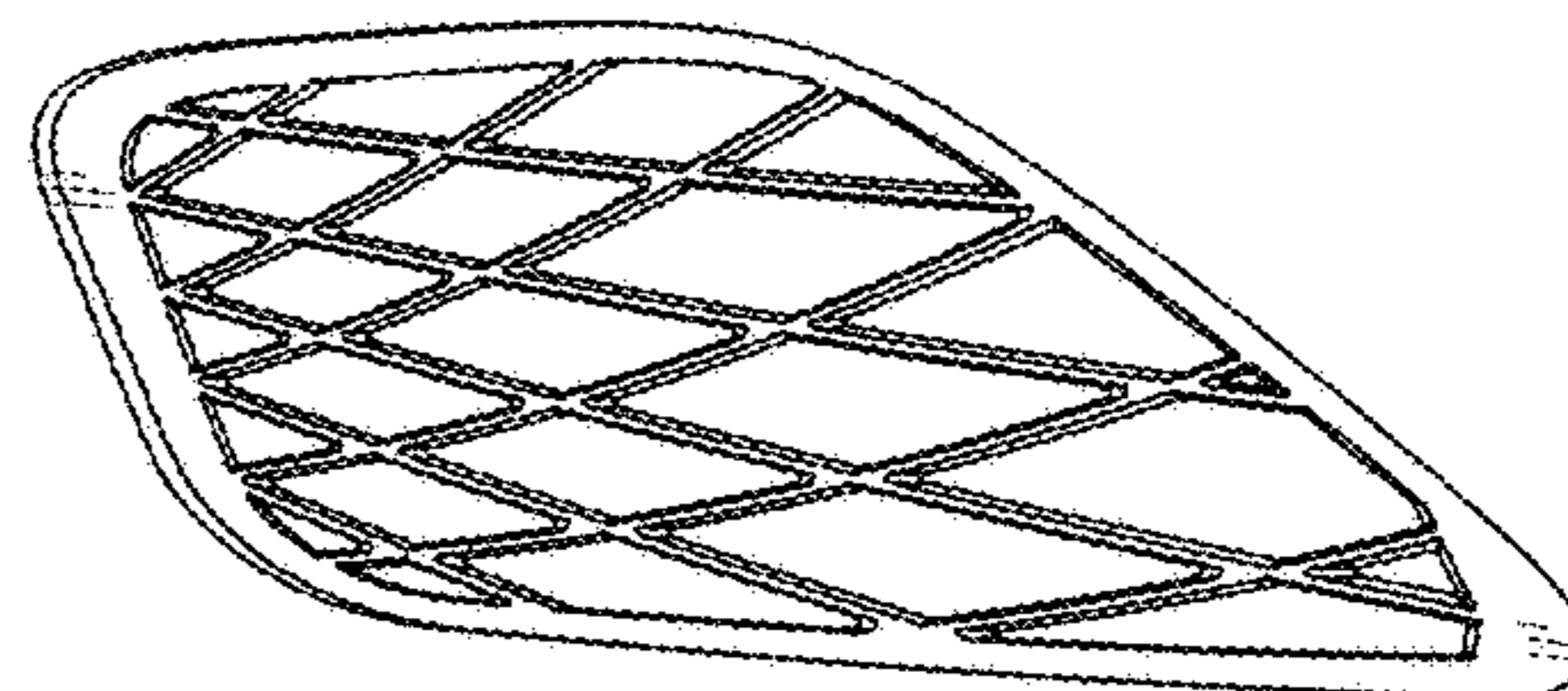


Fig-5