



US00D829623S

(12) **United States Design Patent**  
**Anderson**

(10) **Patent No.:** **US D829,623 S**

(45) **Date of Patent:** **\*\* Oct. 2, 2018**

(54) **MARINE EXHAUST SYSTEM**

(71) Applicant: **Indmar Products Company Inc.**,  
Millington, TN (US)

(72) Inventor: **Timothy G. Anderson**, Brighton, TN  
(US)

(73) Assignee: **Indmar Products Company Inc.**,  
Millington, TN (US)

(\*\*) Term: **15 Years**

(21) Appl. No.: **29/581,343**

(22) Filed: **Oct. 18, 2016**

(51) **LOC (11) Cl.** ..... **12-16**

(52) **U.S. Cl.**  
USPC ..... **D12/194**

(58) **Field of Classification Search**  
USPC ..... D12/194; D15/5  
CPC .... F01N 13/082; F01N 13/1805; F01N 13/20;  
B63H 20/245; B63H 21/34  
See application file for complete search history.

(56) **References Cited**

**U.S. PATENT DOCUMENTS**

- D475,720 S \* 6/2003 Lundgreen ..... F02B 61/02  
D15/5
- D484,513 S \* 12/2003 Grudynski, III ..... D15/5
- D613,655 S \* 4/2010 Burkhardt ..... D12/194
- D647,022 S \* 10/2011 Hsu ..... D12/194
- D704,115 S \* 5/2014 Hsu ..... D12/194
- D718,692 S \* 12/2014 Hsu ..... D12/194

- D725,564 S \* 3/2015 Covington ..... D12/194
- D765,142 S \* 8/2016 Hunter ..... D15/5
- D799,553 S \* 10/2017 Bink ..... D15/5
- D808,875 S \* 1/2018 Hasegawa ..... D12/194
- D810,644 S \* 2/2018 Welter ..... D12/194

**OTHER PUBLICATIONS**

Mercury Marine, Quicksilver Marine Parts & Accessories, Jul. 2011, 90-8M0060070, Disk Two, 11 pages.

\* cited by examiner

*Primary Examiner* — Michael A. Pratt

(74) *Attorney, Agent, or Firm* — Wood, Herron & Evans, LLP

(57) **CLAIM**

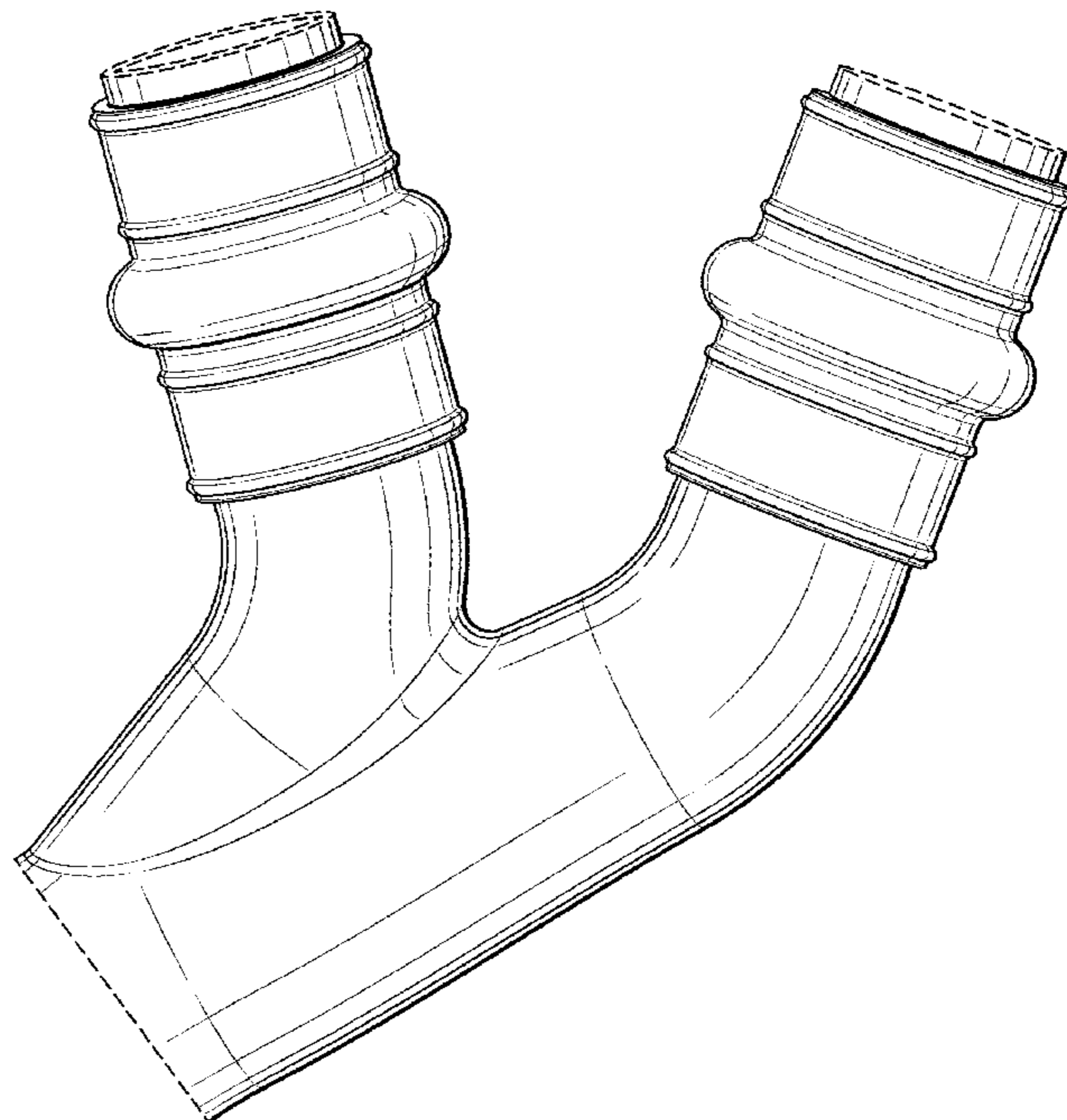
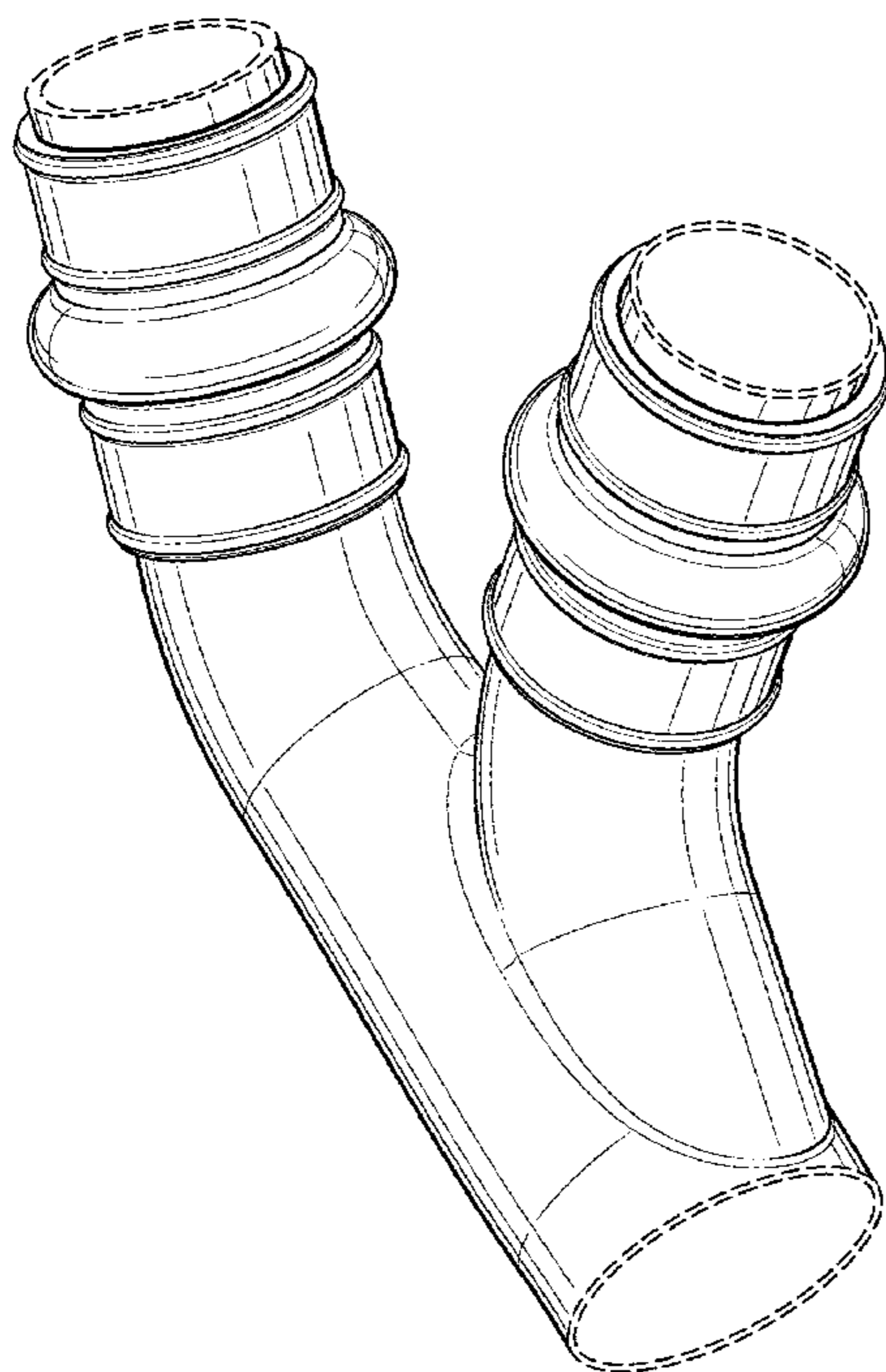
The ornamental design for a marine exhaust system, as shown and described.

**DESCRIPTION**

FIG. 1 is a perspective view of one embodiment of a marine exhaust system illustrating my new design;  
FIG. 2 is a front view thereof;  
FIG. 3 is a rear view thereof;  
FIG. 4 is a left side view thereof;  
FIG. 5 is a right side view thereof;  
FIG. 6 is a top view thereof; and,  
FIG. 7 is a bottom view thereof.

Any elements shown in dash-dot lines form no part of the claimed invention, and are instead included to show environmental aspects of the claimed invention. The dashed lines form an unclaimed boundary of the design.

**1 Claim, 5 Drawing Sheets**



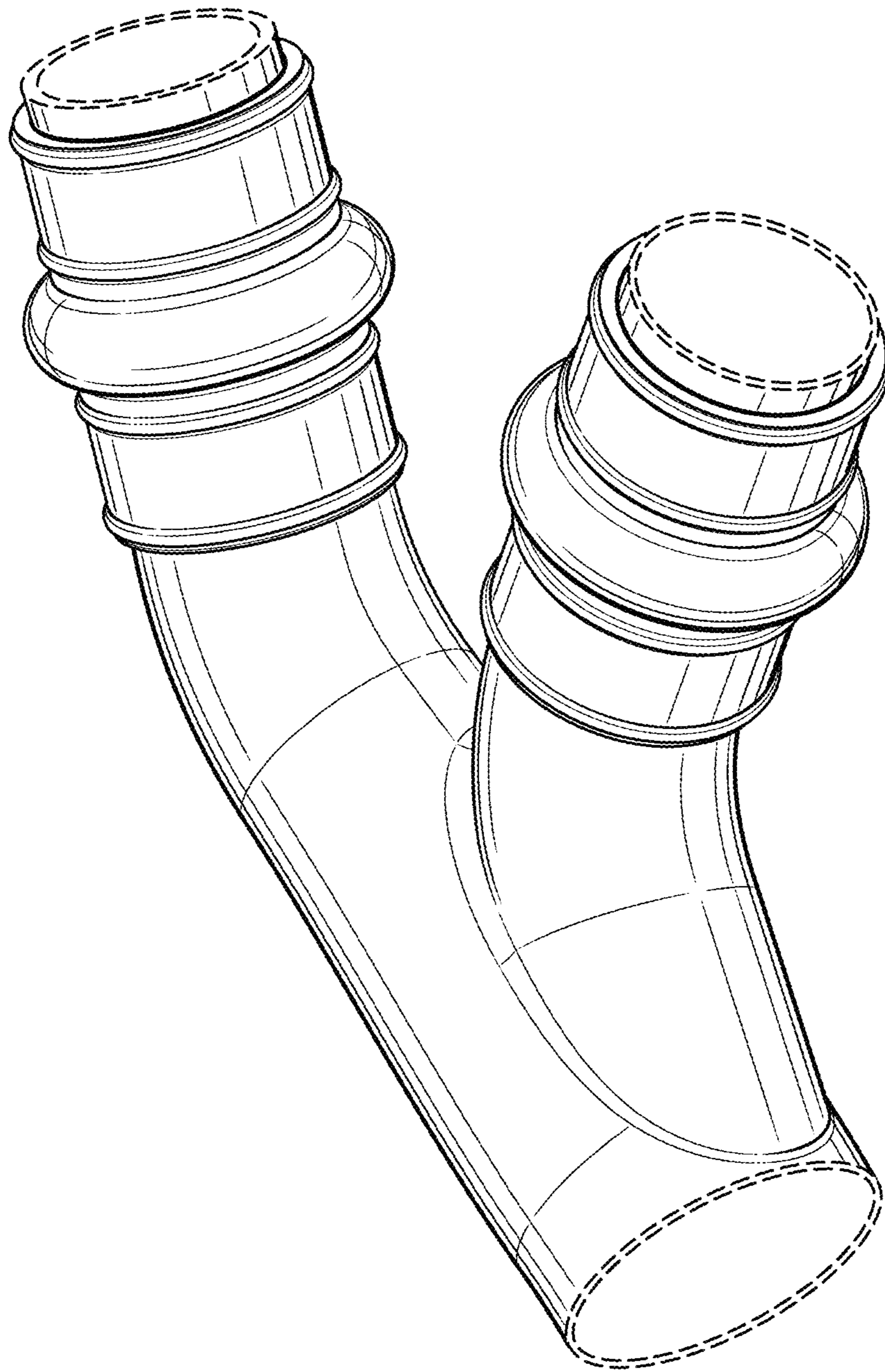


FIG. 1

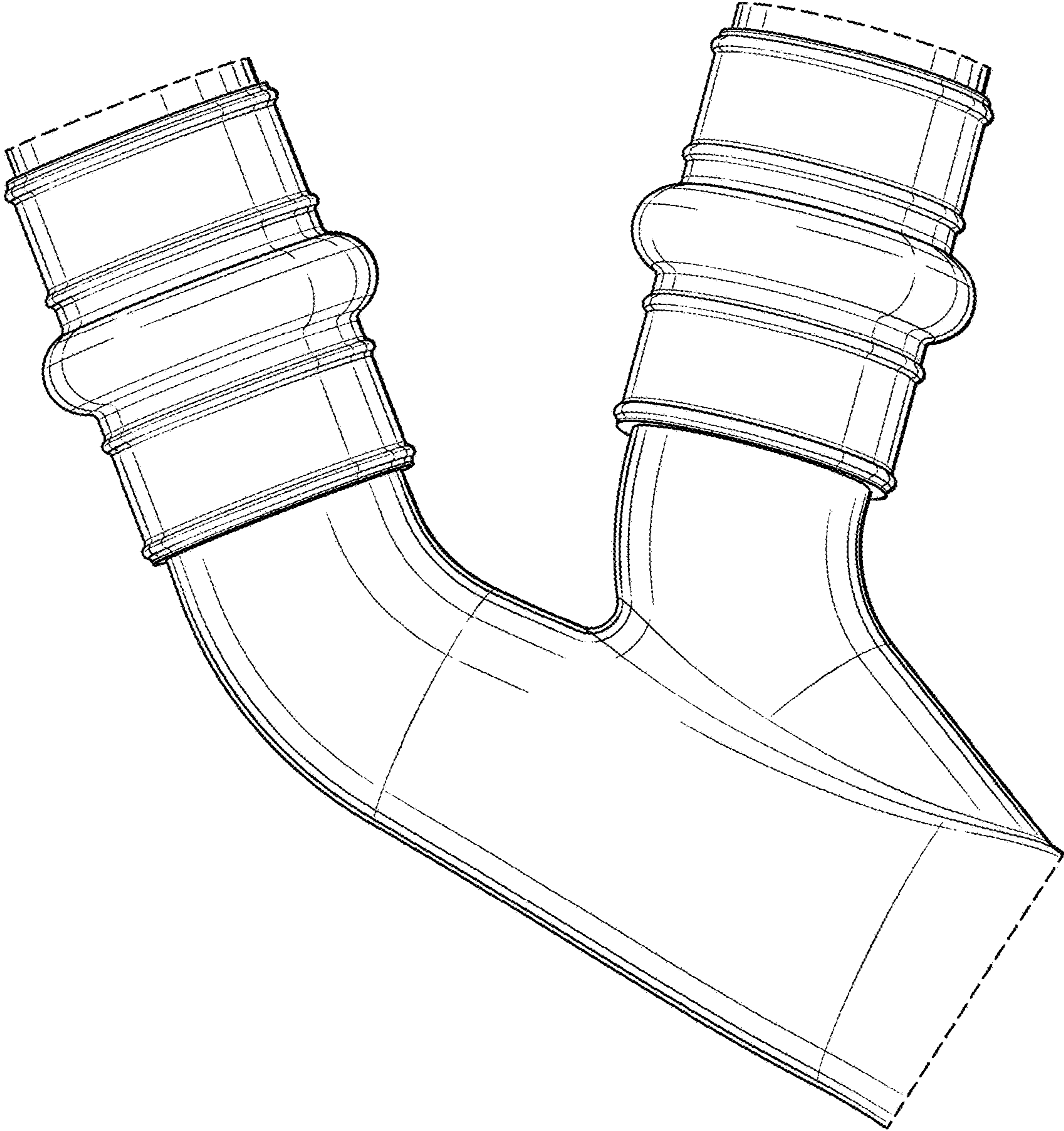


FIG. 2

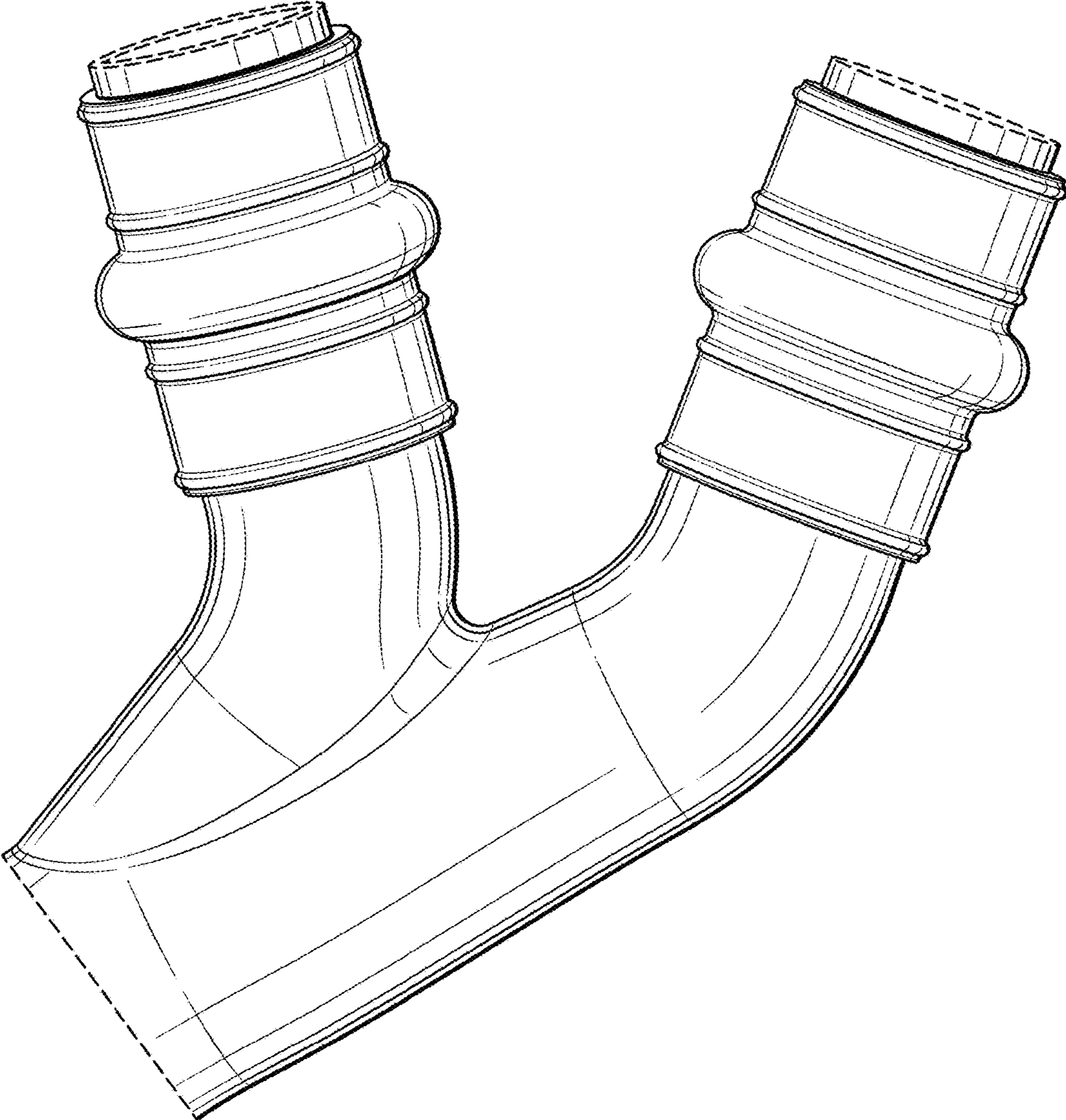


FIG. 3

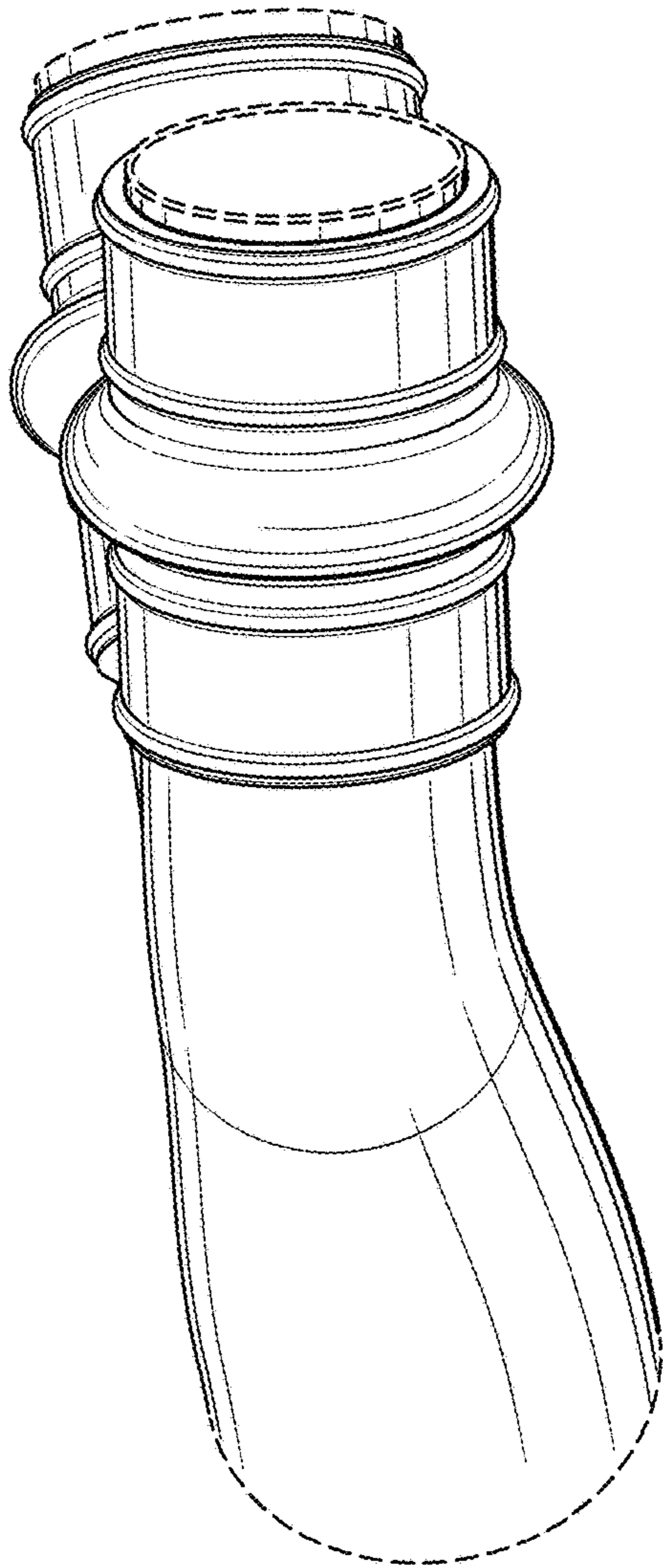


FIG. 4

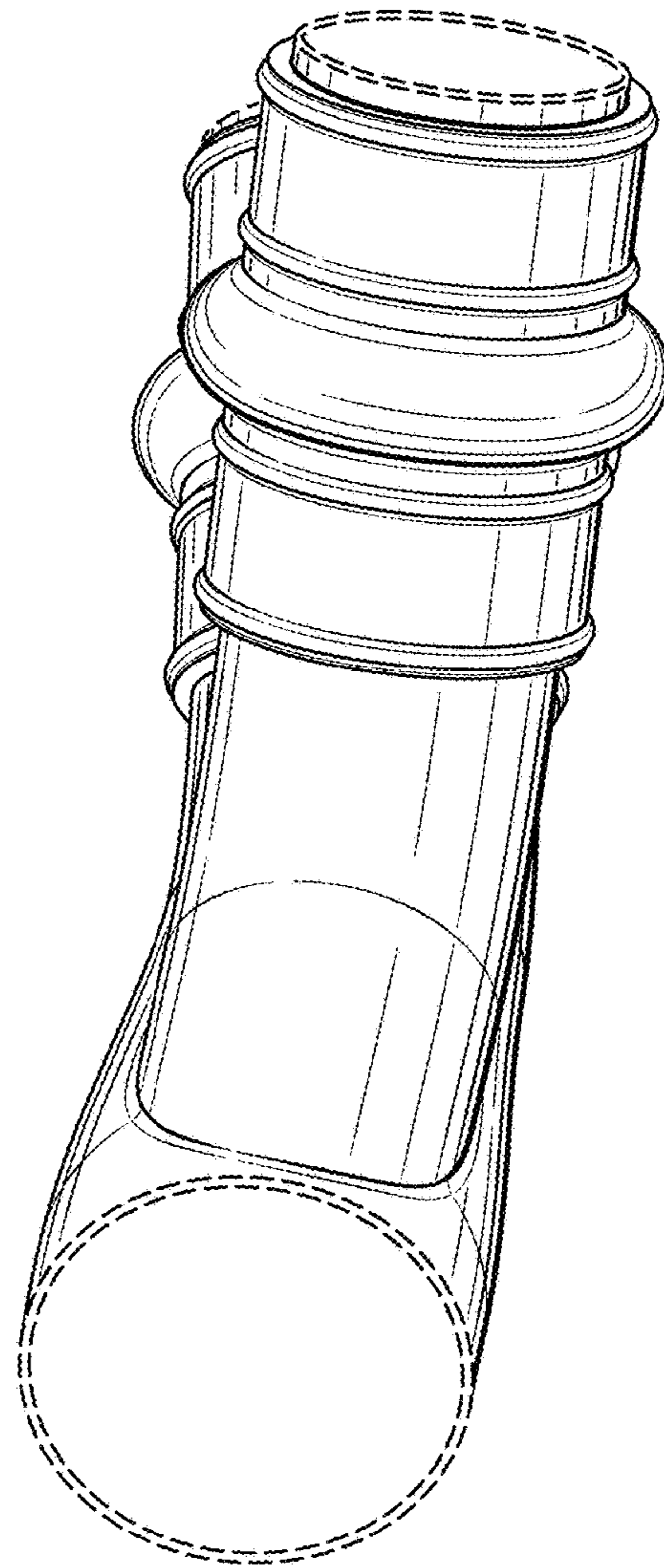


FIG. 5

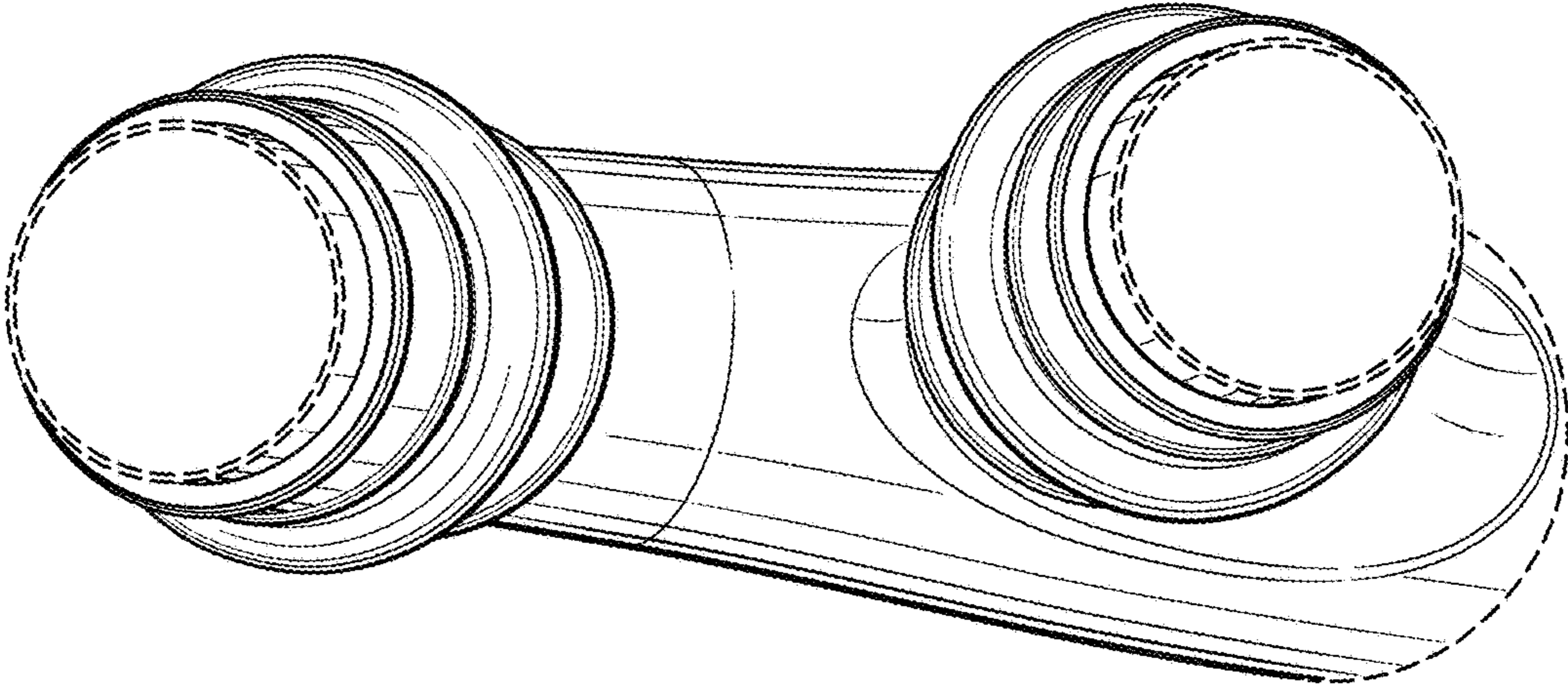


FIG. 6

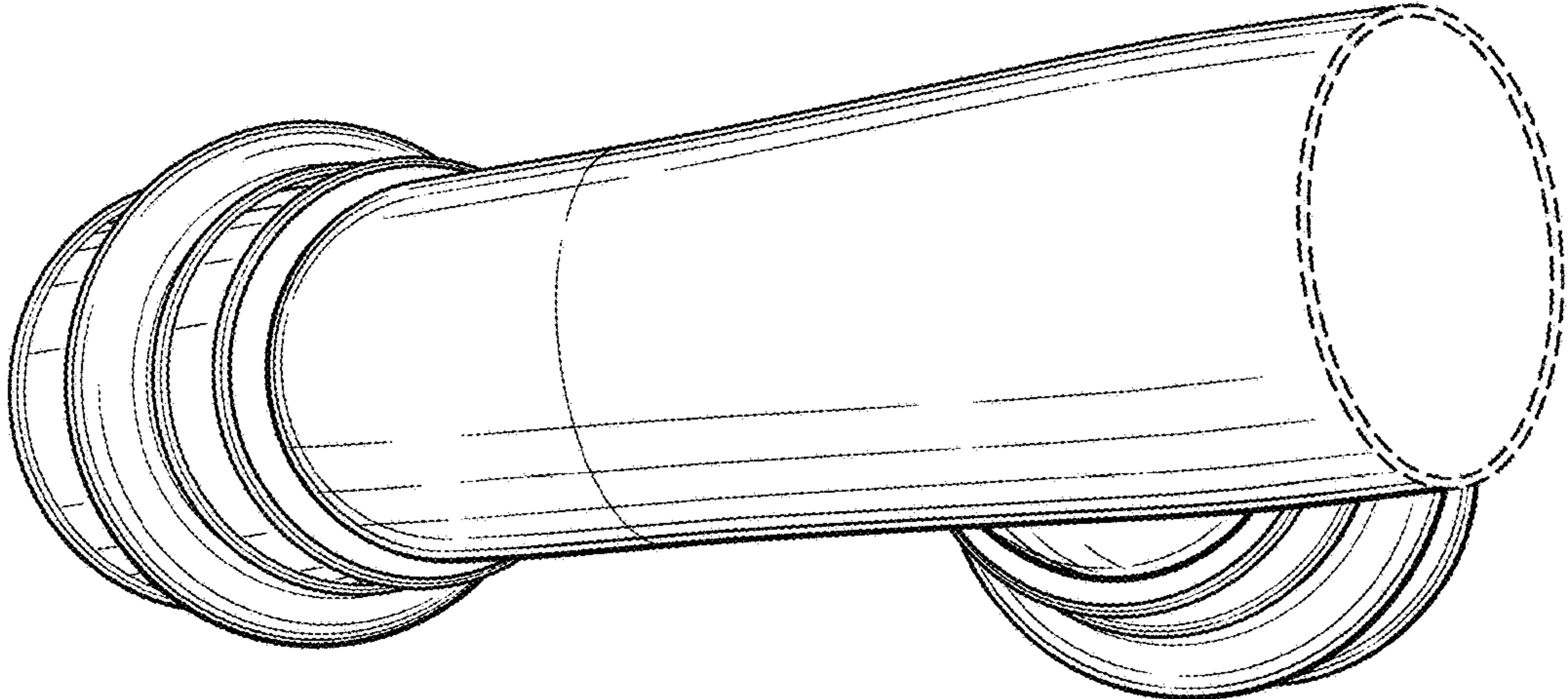


FIG. 7