



US00D829615S

(12) **United States Design Patent**  
**Gibson et al.**

(10) **Patent No.:** **US D829,615 S**

(45) **Date of Patent:** **\*\* Oct. 2, 2018**

(54) **FRONT BUMPER END CAP FOR A VEHICLE**

D391,212 S \* 2/1998 Meryman ..... D12/169  
D419,506 S \* 1/2000 Texier ..... D12/169  
6,230,832 B1 \* 5/2001 Von Mayenburg .... B60K 11/08  
180/68.1

(71) Applicant: **Daimler AG**, Stuttgart (DE)

(Continued)

(72) Inventors: **Preston Gibson**, Beaverton, OR (US);  
**Chien-Hsuin Wu**, Portland, OR (US);  
**Ryan Dickman**, Fairview, OR (US);  
**Morris Henry**, Happy Valley, OR (US);  
**Martin Kreidl**, Rottach-Egern (DE);  
**Joon-Ho Lee**, Beaverton, OR (US)

OTHER PUBLICATIONS

Evans, Brett T., "SPIED: New Freightliner Cascadia Gets SuperTruck-Like Improvements," Diesel Power Magazine, Mar. 30, 2015.

(73) Assignee: **Daimler AG**, Stuttgart (DE)

*Primary Examiner* — Susan Bennett Hattan

*Assistant Examiner* — Suzanne E Tisdell

(\*\*) Term: **15 Years**

(74) *Attorney, Agent, or Firm* — Crowell & Moring LLP

(21) Appl. No.: **29/572,855**

(57) **CLAIM**

The ornamental design for a front bumper end cap for a vehicle, as shown and described.

(22) Filed: **Aug. 1, 2016**

**DESCRIPTION**

(51) **LOC (11) Cl.** ..... **12-16**

(52) **U.S. Cl.**

USPC ..... **D12/169**

(58) **Field of Classification Search**

USPC .... D12/86, 91, 93, 163, 164, 166, 167, 169,  
D12/171, 172, 173, 190, 216

CPC ..... B60R 9/06; B60R 19/02; B60R 19/04;  
B60R 19/18; B60R 19/44; B60R 19/48;  
B62D 35/02; B62D 39/00; B62D 65/18;  
B62D 21/12; B29C 45/16

See application file for complete search history.

This application contains subject matter related to the following co-pending U.S. design patent application:

Application Ser. No. 29/572,848, filed herewith and entitled "Truck Cab, Toy, and/or Replicas Thereof".

FIG. 1 is a left, front perspective view of a first embodiment of a front bumper end cap for a vehicle according to the design;

FIG. 2 is a front view thereof;

FIG. 3 is a right side view thereof; and

FIG. 4 is a top view thereof.

FIG. 5 is a right, front perspective view of a second embodiment of the front bumper end cap for a vehicle according to the design;

FIG. 6 is a front view thereof;

FIG. 7 is a left side view thereof; and

FIG. 8 is a top view thereof; and,

FIG. 9 is a perspective view of a possible environment of the first and second embodiments.

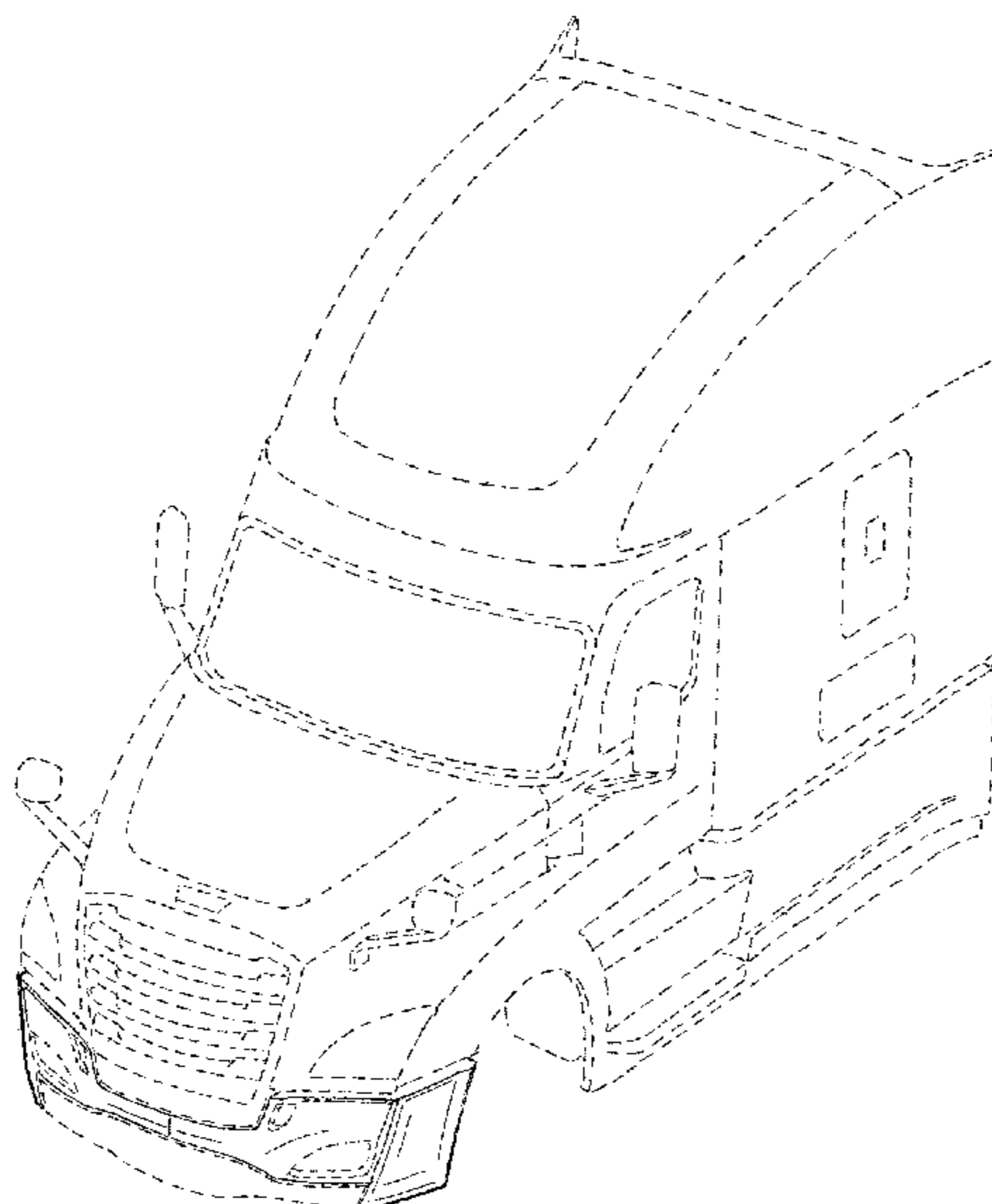
The broken lines depict environmental structures that form no part of the claimed design.

(56) **References Cited**

U.S. PATENT DOCUMENTS

4,130,312 A \* 12/1978 Cooper, Sr. .... B60R 19/04  
293/153  
4,671,550 A \* 6/1987 Molnar ..... B60R 19/18  
293/102  
5,308,134 A \* 5/1994 Stanesic ..... B60J 1/2005  
296/180.1  
D364,371 S \* 11/1995 Ray ..... D12/169  
D381,946 S \* 8/1997 Delashaw ..... D12/167

**1 Claim, 9 Drawing Sheets**



(56)

**References Cited**

U.S. PATENT DOCUMENTS

6,250,664 B1 *	6/2001	Tetrick .....	B60D 1/249 280/491.5	2010/0181786 A1 *	7/2010	Tejler .....	B60D 1/02 293/130
6,551,540 B1 *	4/2003	Porter .....	B29C 45/1635 264/255	2013/0069385 A1 *	3/2013	Cunagin .....	B62D 21/12 296/1.07
D530,653 S *	10/2006	Angelo .....	D12/169	2015/0082599 A1 *	3/2015	Cunagin .....	B62D 49/04 29/428
D545,248 S *	6/2007	Angelo .....	D12/169	2015/0084369 A1 *	3/2015	Niemi .....	B62D 35/02 296/180.1
D563,840 S *	3/2008	Simons .....	D12/169	2016/0114748 A1 *	4/2016	Hare .....	B60R 19/023 293/106
D565,484 S *	4/2008	Johnson .....	D12/169	2016/0200272 A1 *	7/2016	Frederick .....	B60R 19/18 293/120
D633,419 S *	3/2011	Peltola .....	D12/169	2016/0280164 A1 *	9/2016	Hammer .....	B60R 19/18
D653,999 S *	2/2012	Peltola .....	D12/169	2016/0297388 A1 *	10/2016	Hammer .....	B60R 19/34
D710,268 S	8/2014	Brzustowicz et al.		2017/0080885 A1 *	3/2017	Swamidass .....	B60R 19/445
D711,786 S	8/2014	Brzustowicz et al.		2017/0182948 A1 *	6/2017	Cunagin .....	B60R 9/06
D711,787 S	8/2014	Brzustowicz		2017/0203708 A1 *	7/2017	Jaradi .....	B60R 19/18
D711,788 S	8/2014	Brzustowicz		2017/0233010 A1 *	8/2017	Sytsma .....	B60K 11/08 296/187.09
D775,013 S *	12/2016	Bennett .....	D12/169				
2004/0160788 A1 *	8/2004	Wagner .....	B60Q 1/32 362/565				

\* cited by examiner

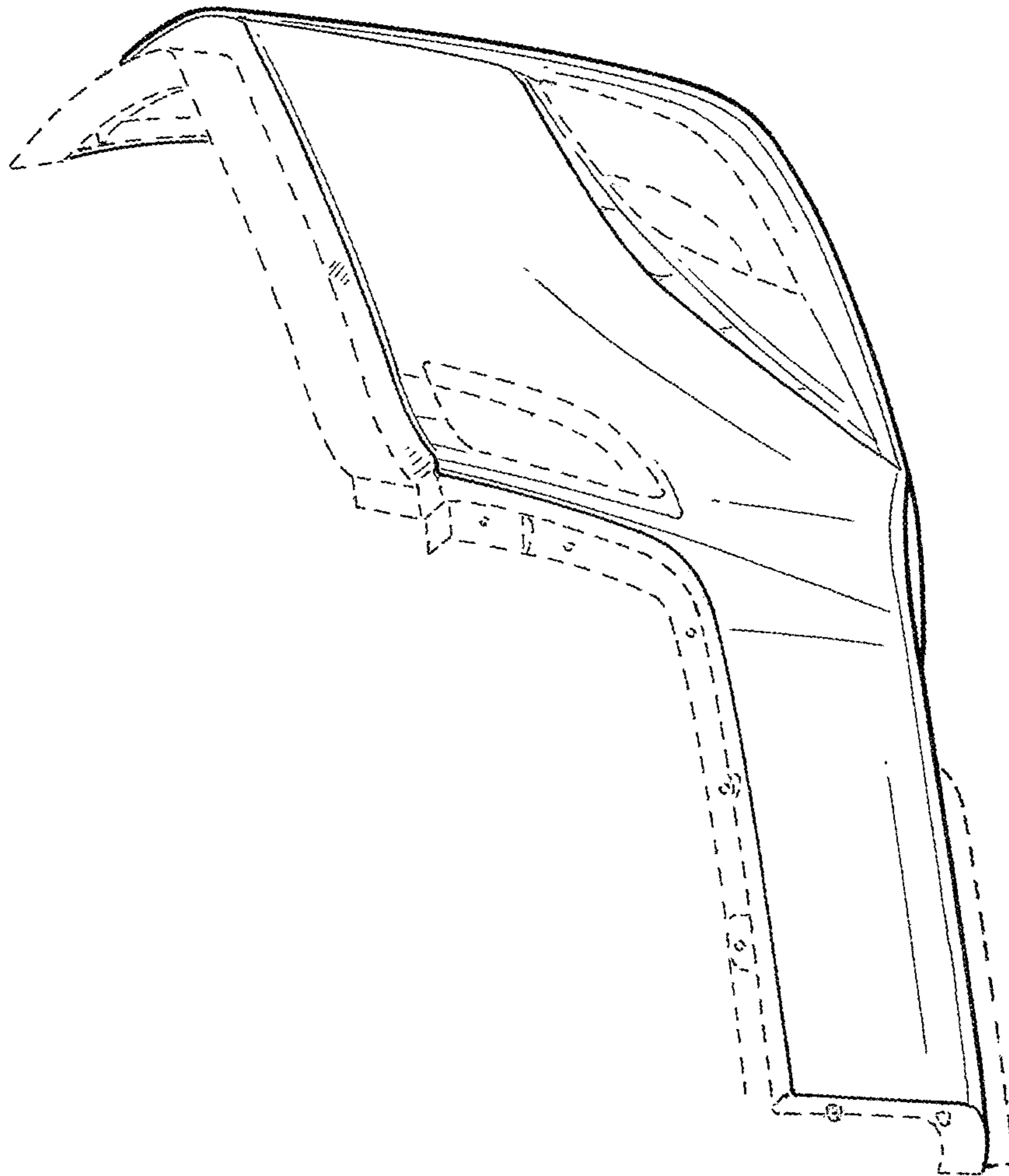


FIG. 1

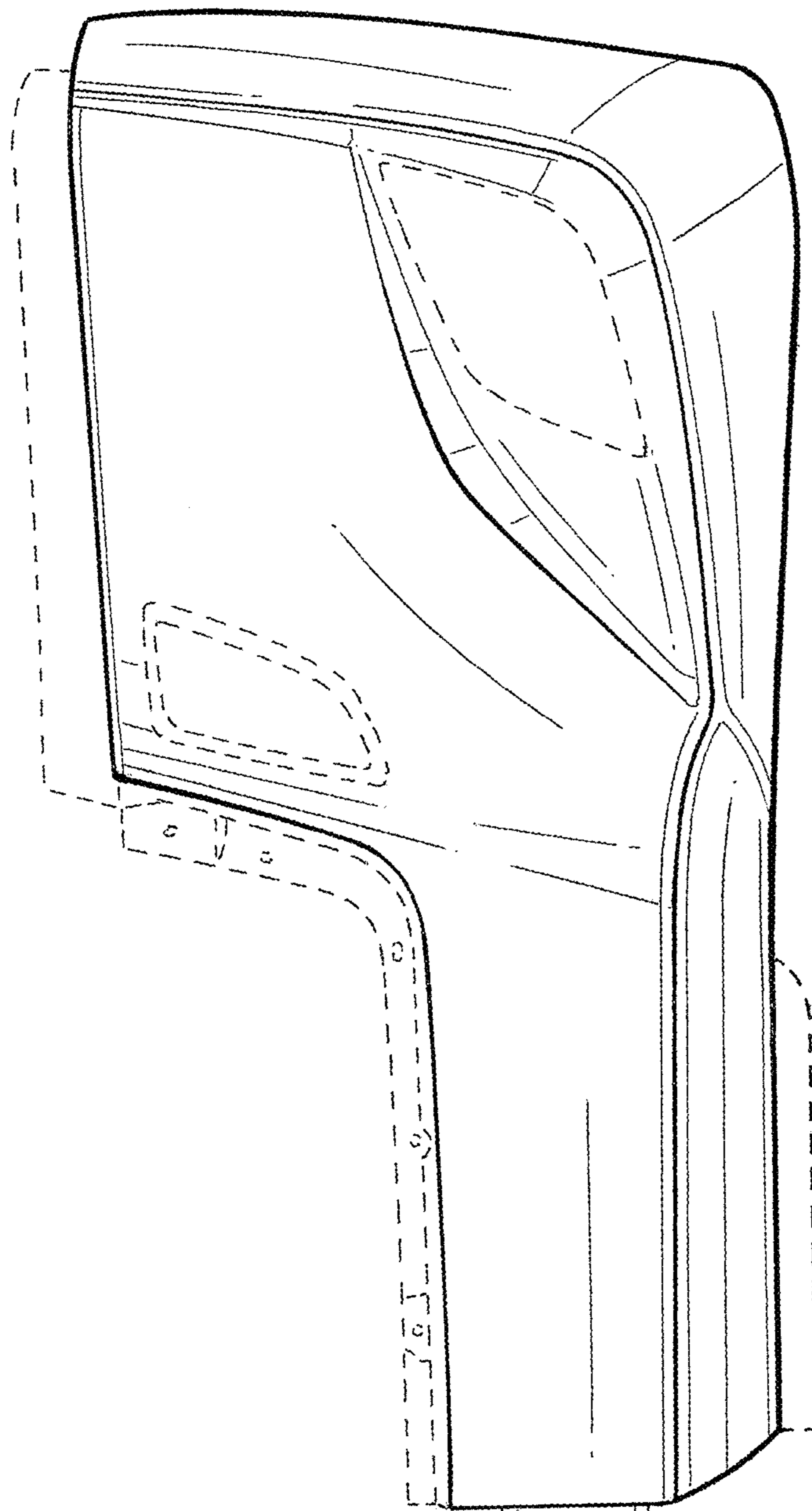


FIG. 2

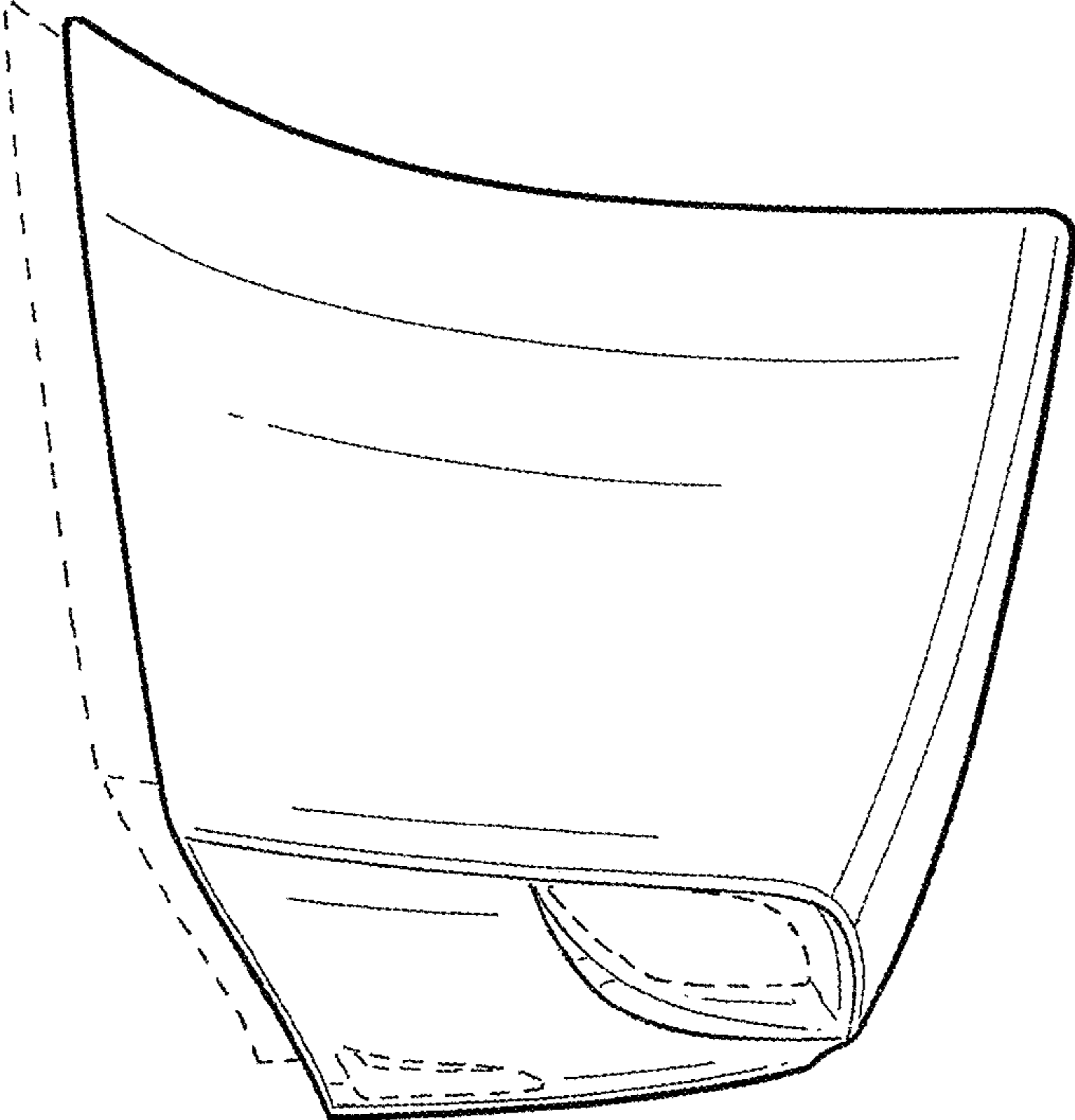


FIG. 3

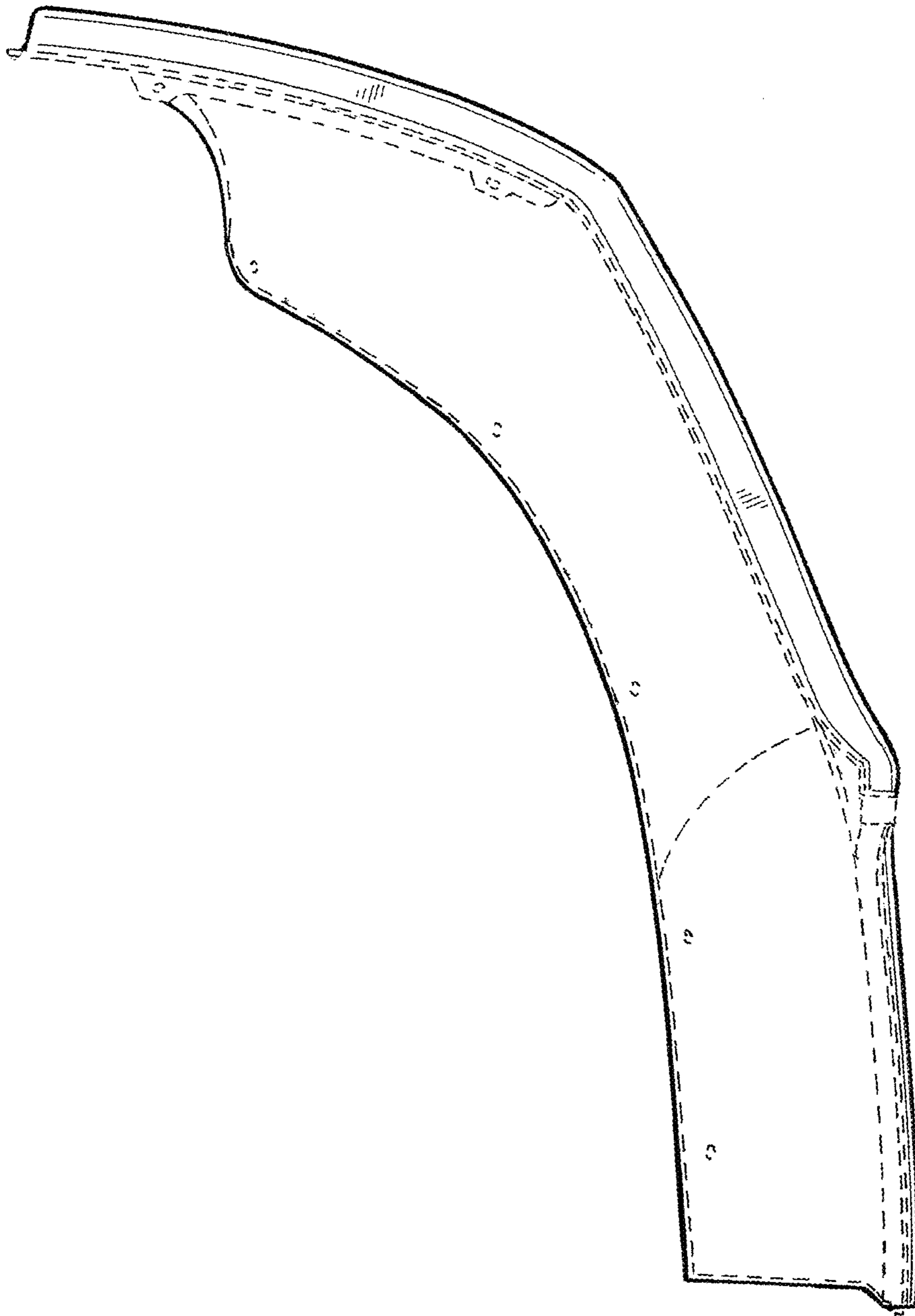


FIG. 4

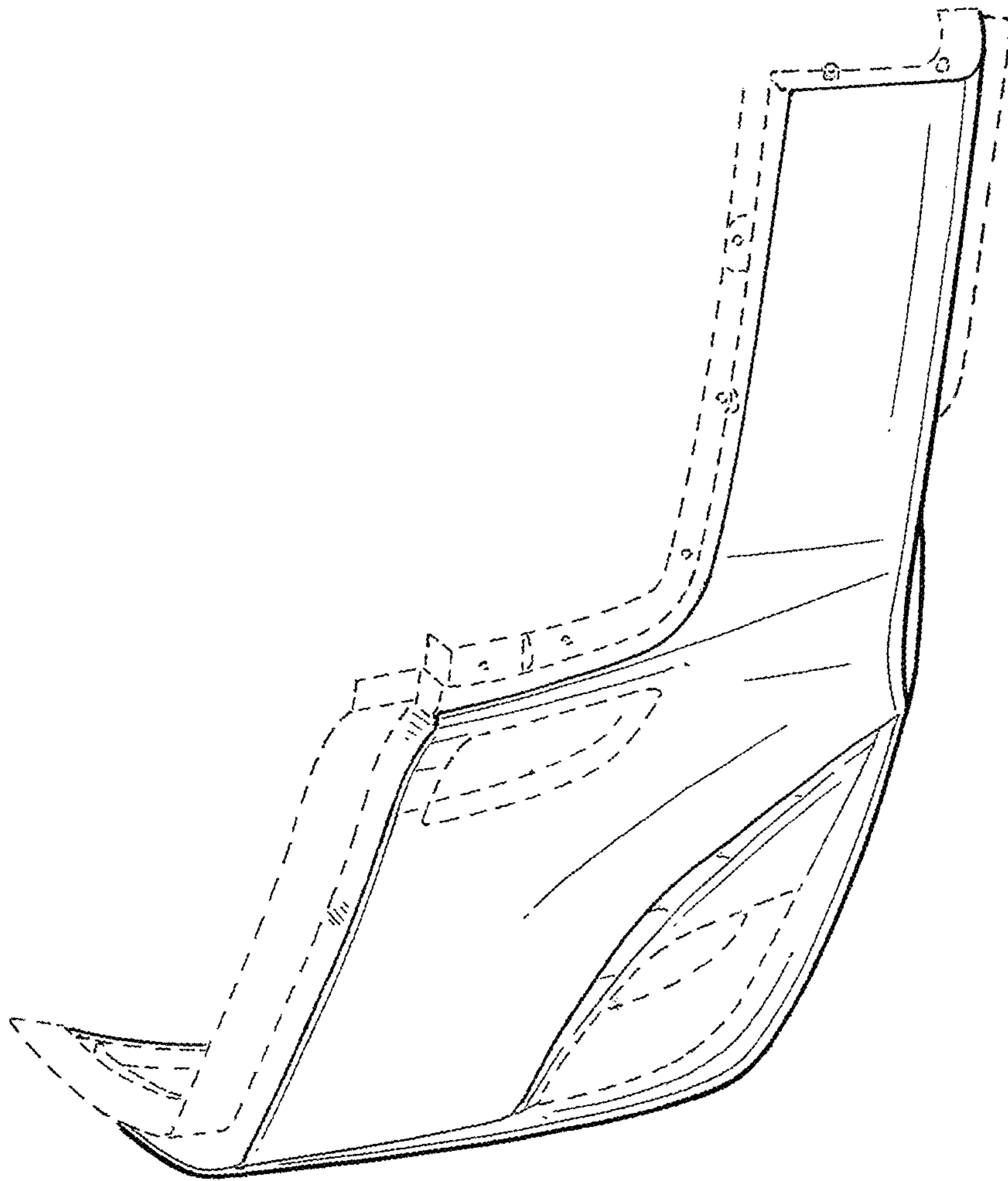


FIG. 5

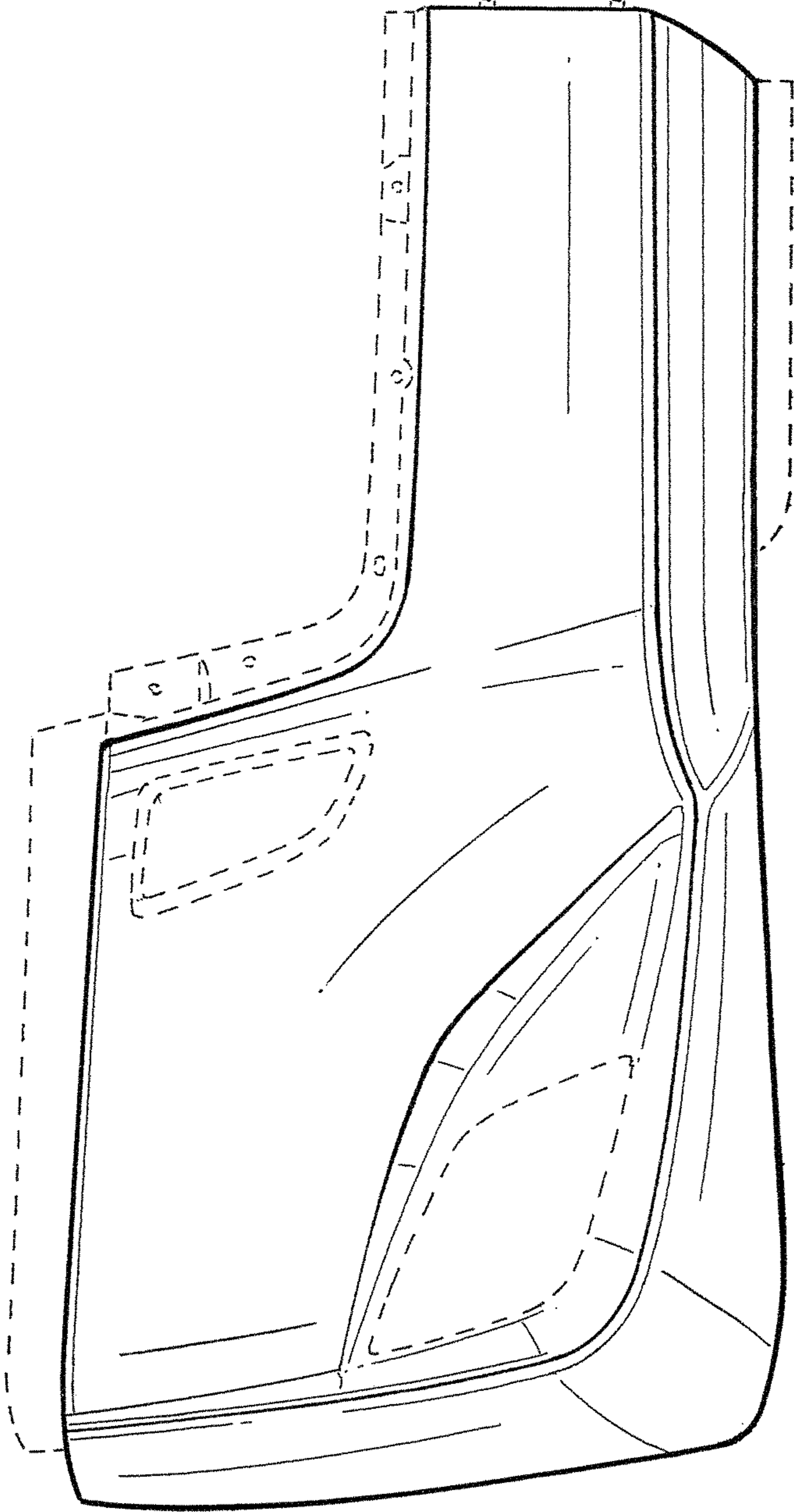


FIG. 6



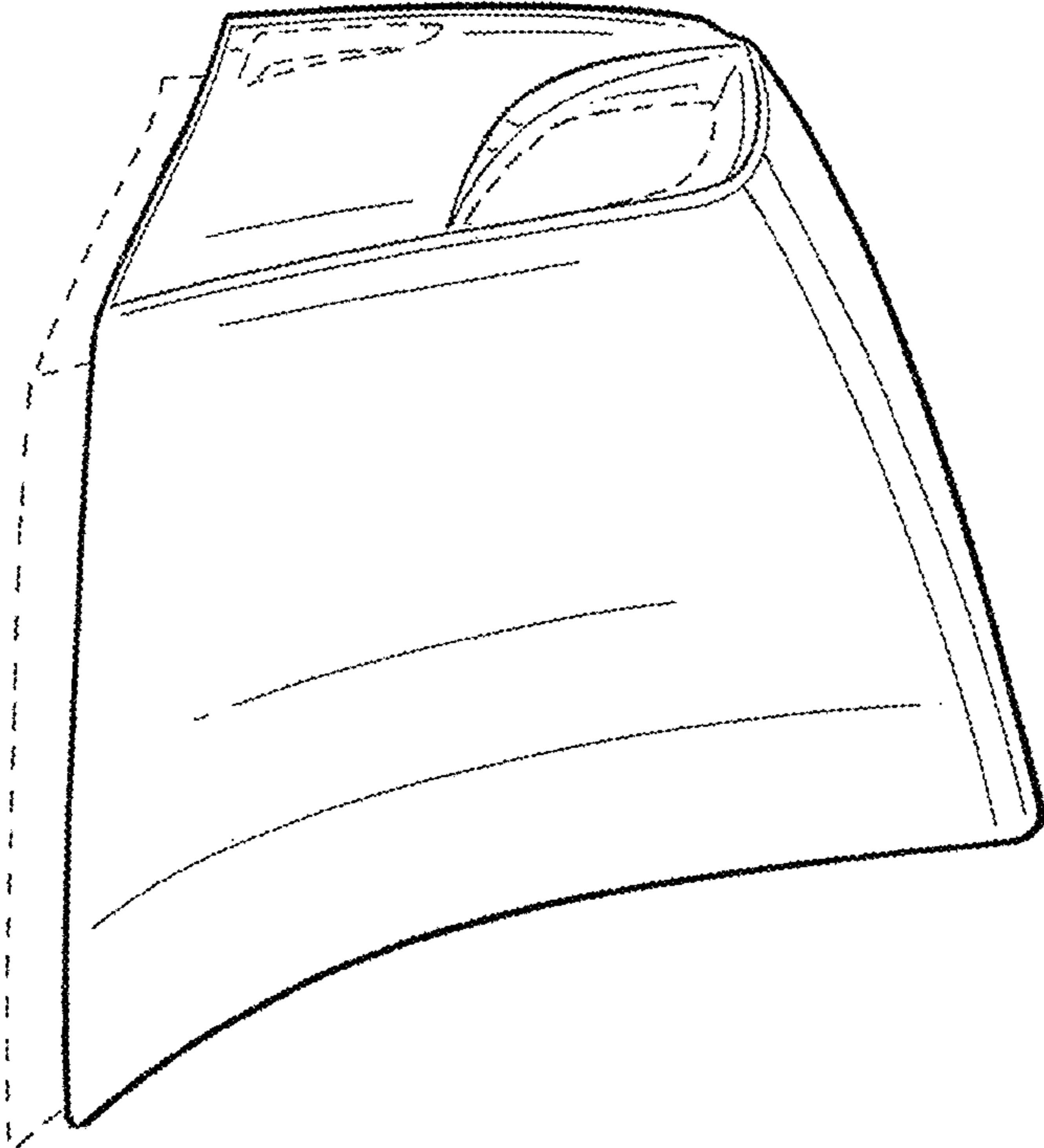


FIG. 7

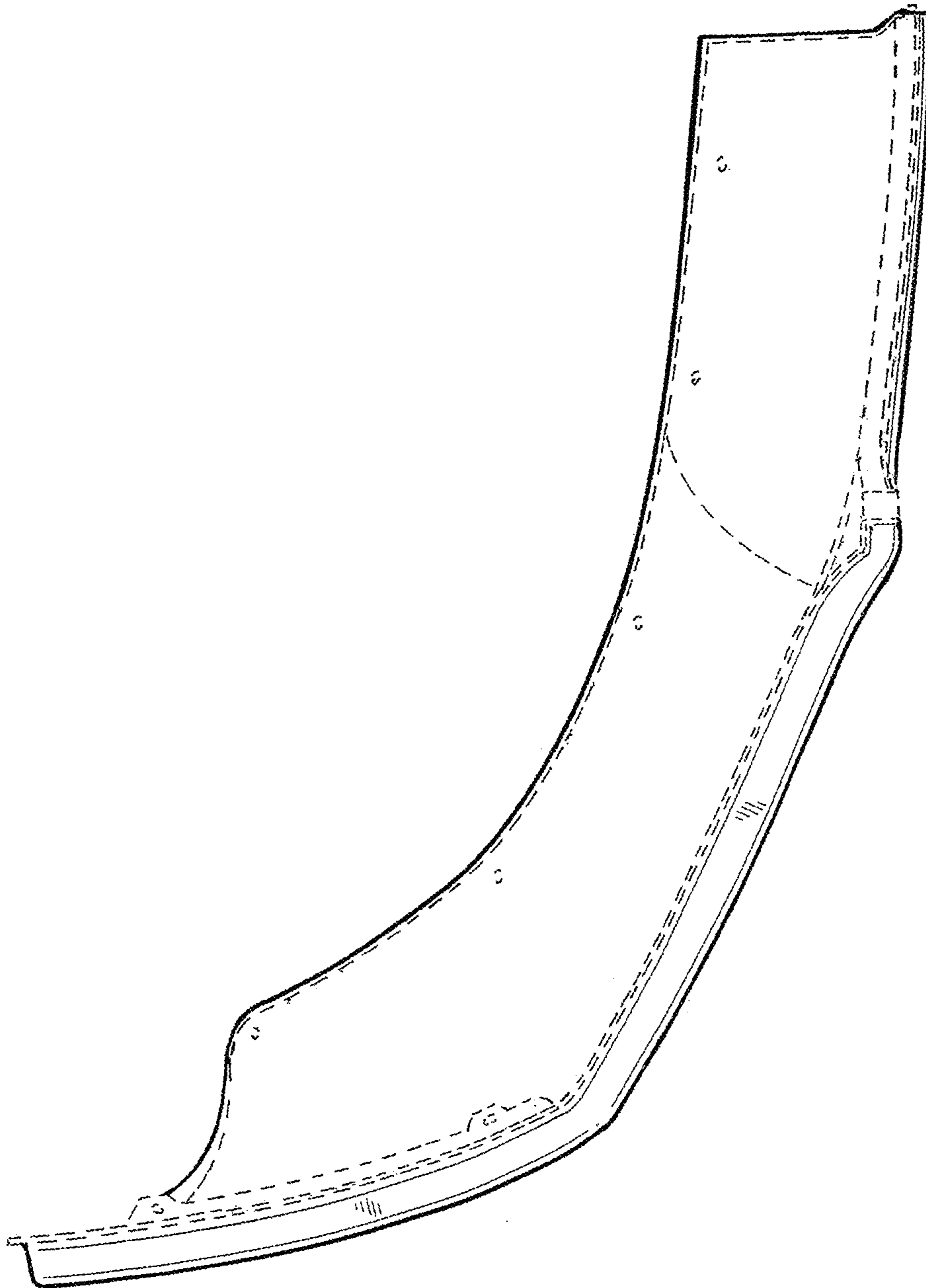


FIG. 8

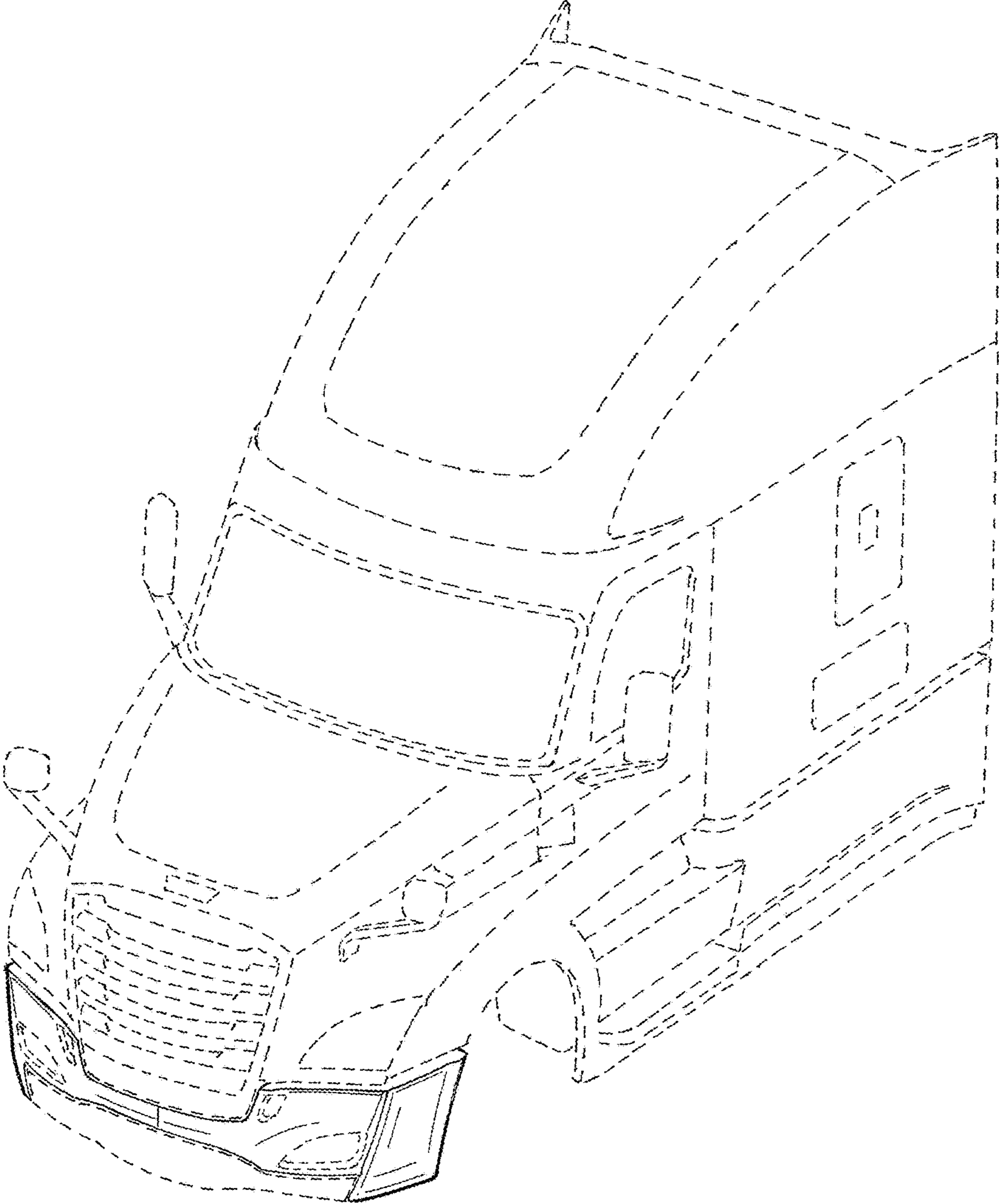


FIG. 9