



US00D829610S

(12) **United States Design Patent** (10) **Patent No.:** **US D829,610 S**
Liu et al. (45) **Date of Patent:** **** Oct. 2, 2018**

(54) **CHILDRENS BICYCLES** D735,620 S * 8/2015 Pape B62K 9/00
D12/111
(71) Applicant: **NINEBOT (BEIJING) TECH. CO., LTD**, Beijing (CN) D780,071 S * 2/2017 Teal D12/111
D791,022 S * 7/2017 Lam B62K 9/00
(72) Inventors: **Haoran Liu**, Beijing (CN); **Lei Liu**, Beijing (CN) 2016/0001843 A1* 1/2016 Evans B62K 9/00
280/7.17

(73) Assignee: **Ninebot (Beijing) Tech Co., Ltd.**, Beijing (CN)
(**) Term: **15 Years**

(21) Appl. No.: **35/503,310**
(22) Filed: **Mar. 3, 2017**

(80) **Hague Agreement Data**
Int. Filing Date: **Mar. 3, 2017**
Int. Reg. No.: **DM/096572**
Int. Reg. Date: **Mar. 3, 2017**
Int. Reg. Pub. Date: **Jul. 7, 2017**

(30) **Foreign Application Priority Data**
Nov. 11, 2016 (CN) 2016 3 0549882
(51) **LOC (11) Cl.** **12-11**
(52) **U.S. Cl.** **D12/111**
USPC **D12/111**
(58) **Field of Classification Search**
USPC D21/423; D12/111
CPC ... B62K 9/00; B62K 3/00; B62K 3/02; B62K 3/04; B62K 3/06; B62K 3/08; B62K 3/10
See application file for complete search history.

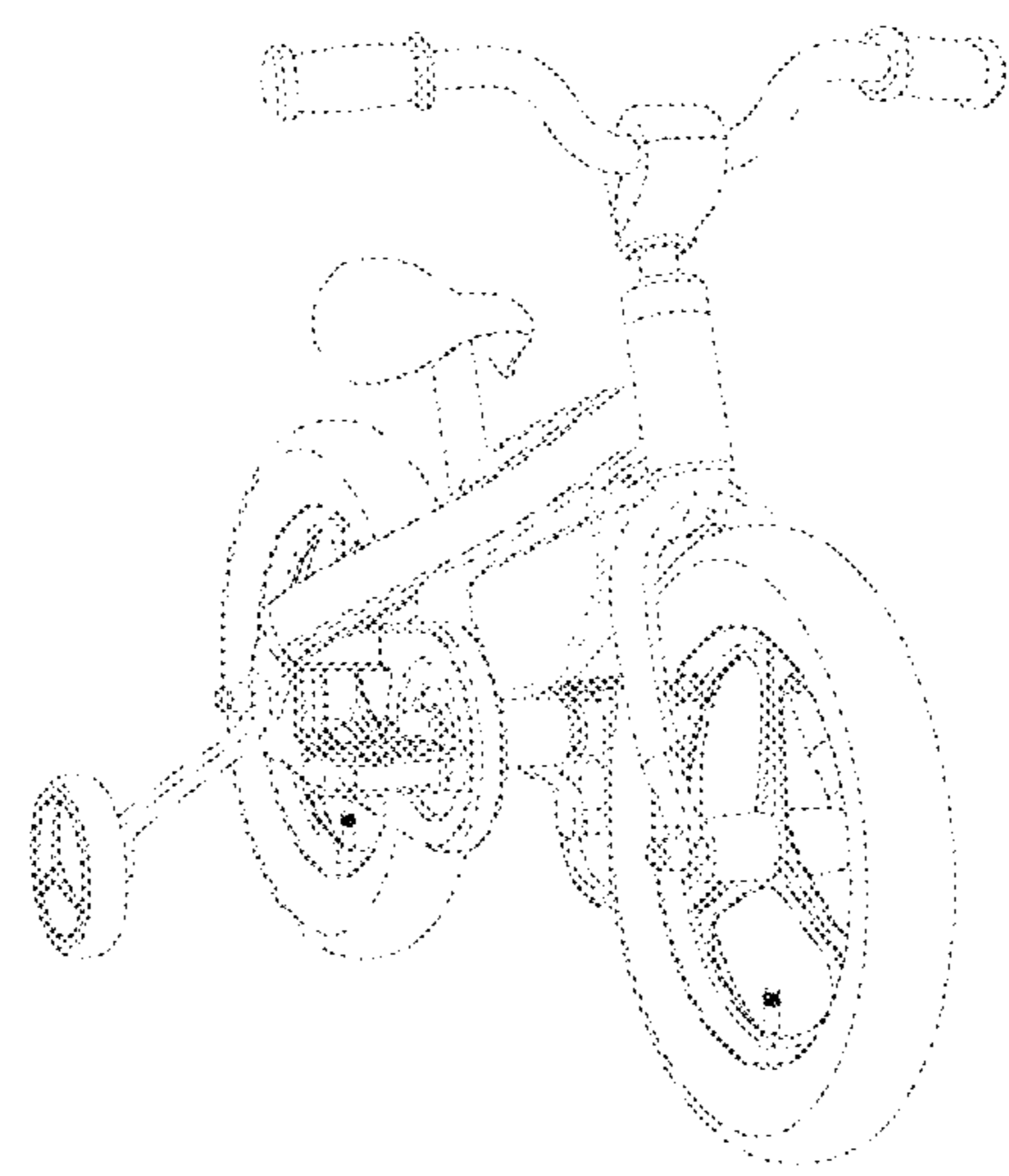
(56) **References Cited**
U.S. PATENT DOCUMENTS
D443,000 S * 5/2001 Chen D21/423
D614,538 S * 4/2010 Rochon D12/111
D695,847 S * 12/2013 Liu D12/111
D729,700 S * 5/2015 De Roeck D12/111

* cited by examiner
Primary Examiner — George D. Kirschbaum
Assistant Examiner — Joseph J Kukella
(74) *Attorney, Agent, or Firm* — Margaret Polson; Polson Intellectual Property Law, PC

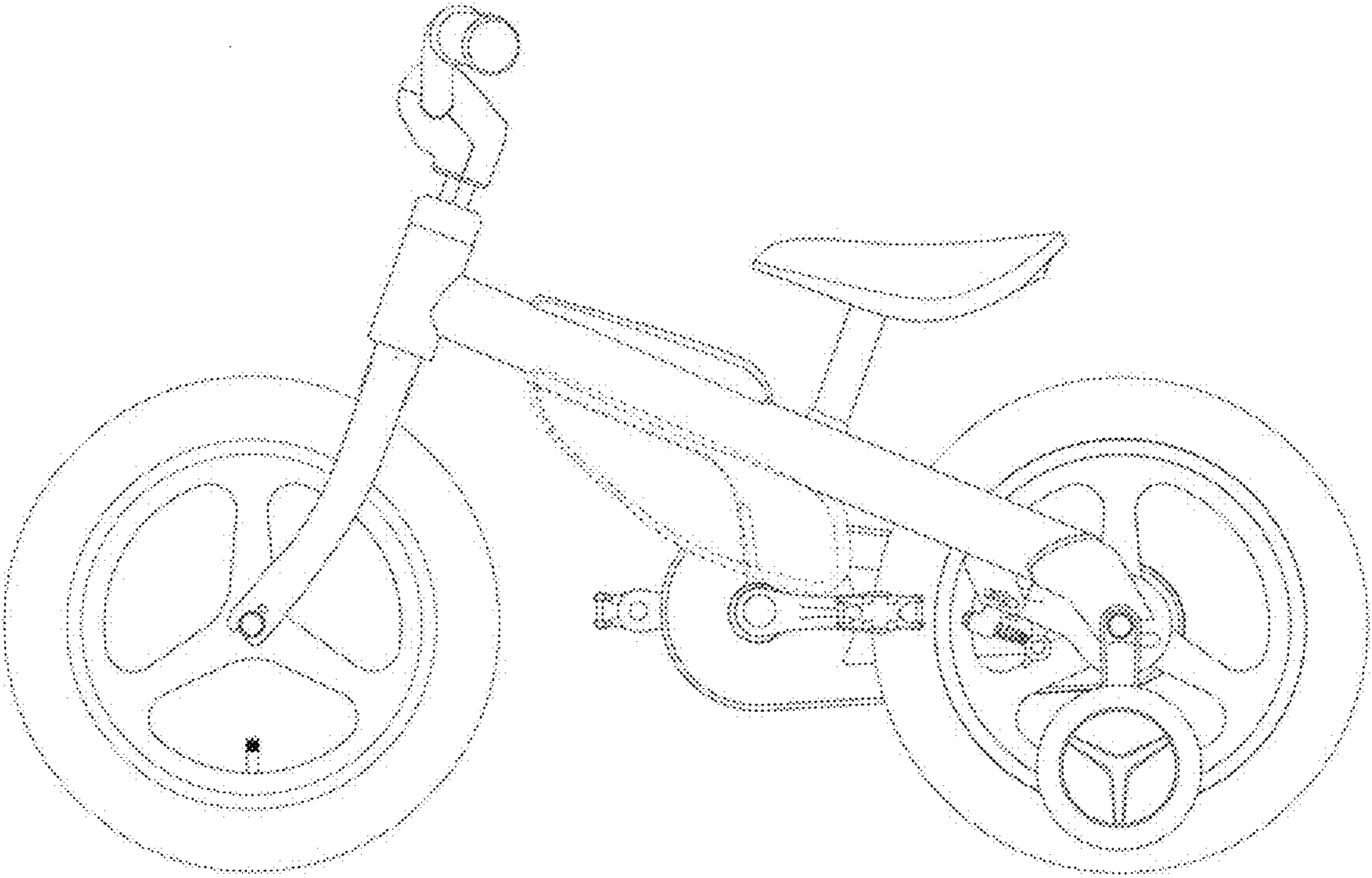
(57) **CLAIM**
The ornamental design for a children's bicycle, as shown and described.

DESCRIPTION
The patent or application file contains at least one drawing executed in color. Copies of this patent or patent application publication with color drawing(s) will be provided by the Office upon request and payment of the necessary fee.
1.-2. Children's bicycle
1.1 : Front
1.2 : Back
1.3 : Left
1.4 : Right
1.5 : Top
1.6 : Bottom
1.7 : Perspective
2.1 : Front
2.2 : Back
2.3 : Left
2.4 : Right
2.5 : Top
2.6 : Bottom
2.7 : Perspective
2.8 : Perspective of changing state
2.9 : Perspective of changing state

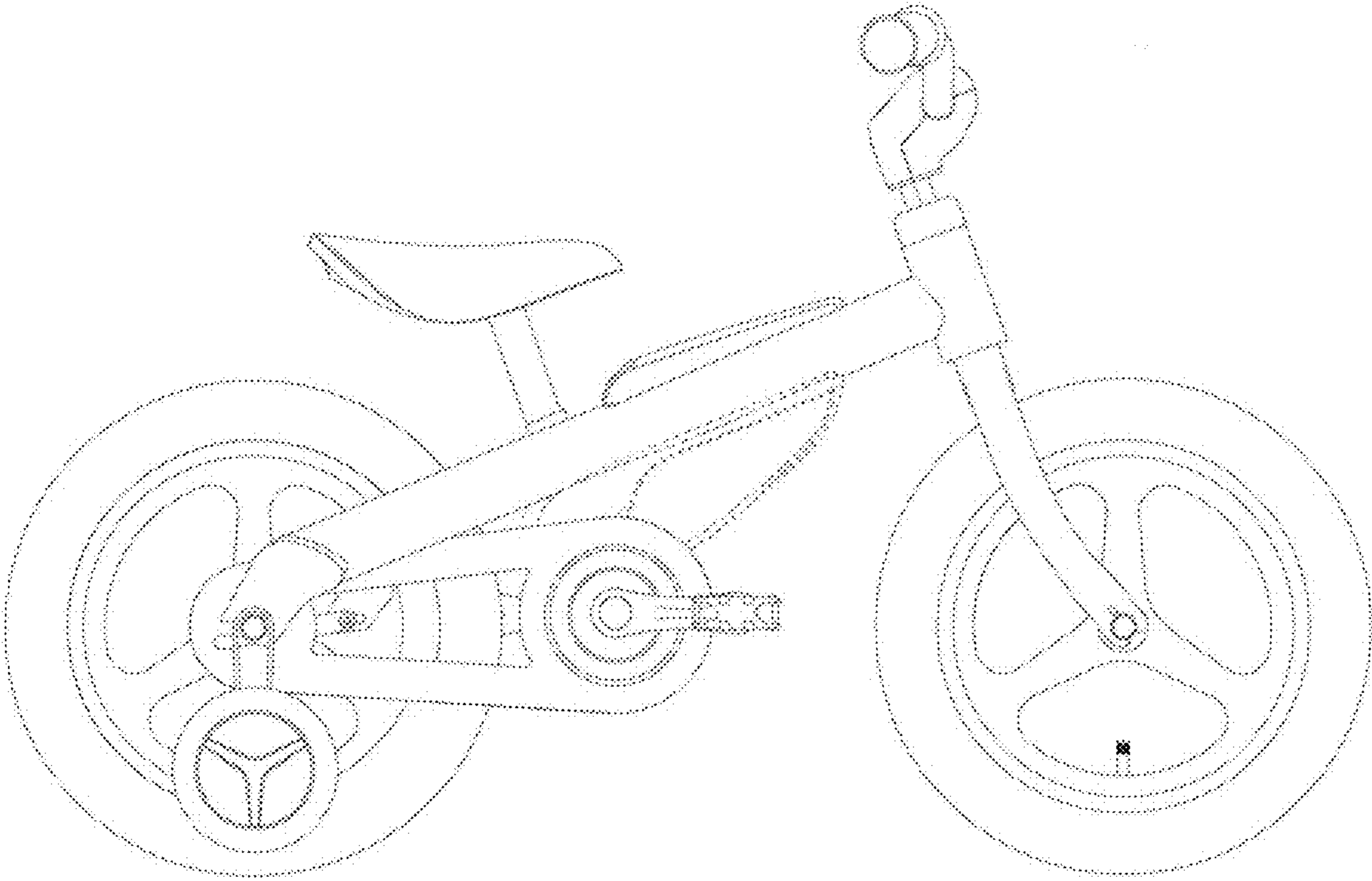
1 Claim, 16 Drawing Sheets
(9 of 16 Drawing Sheet(s) Filed in Color)



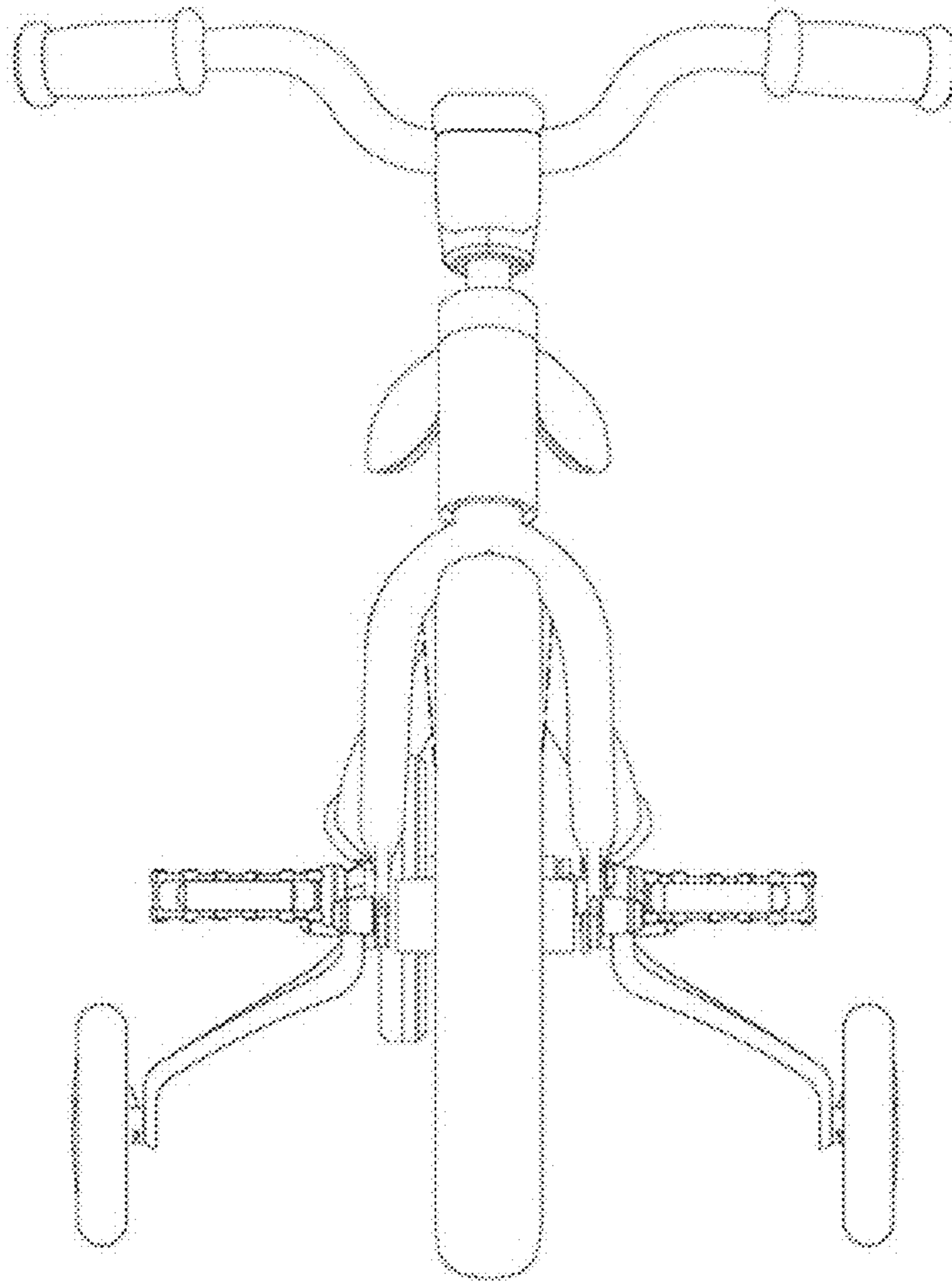
1.1



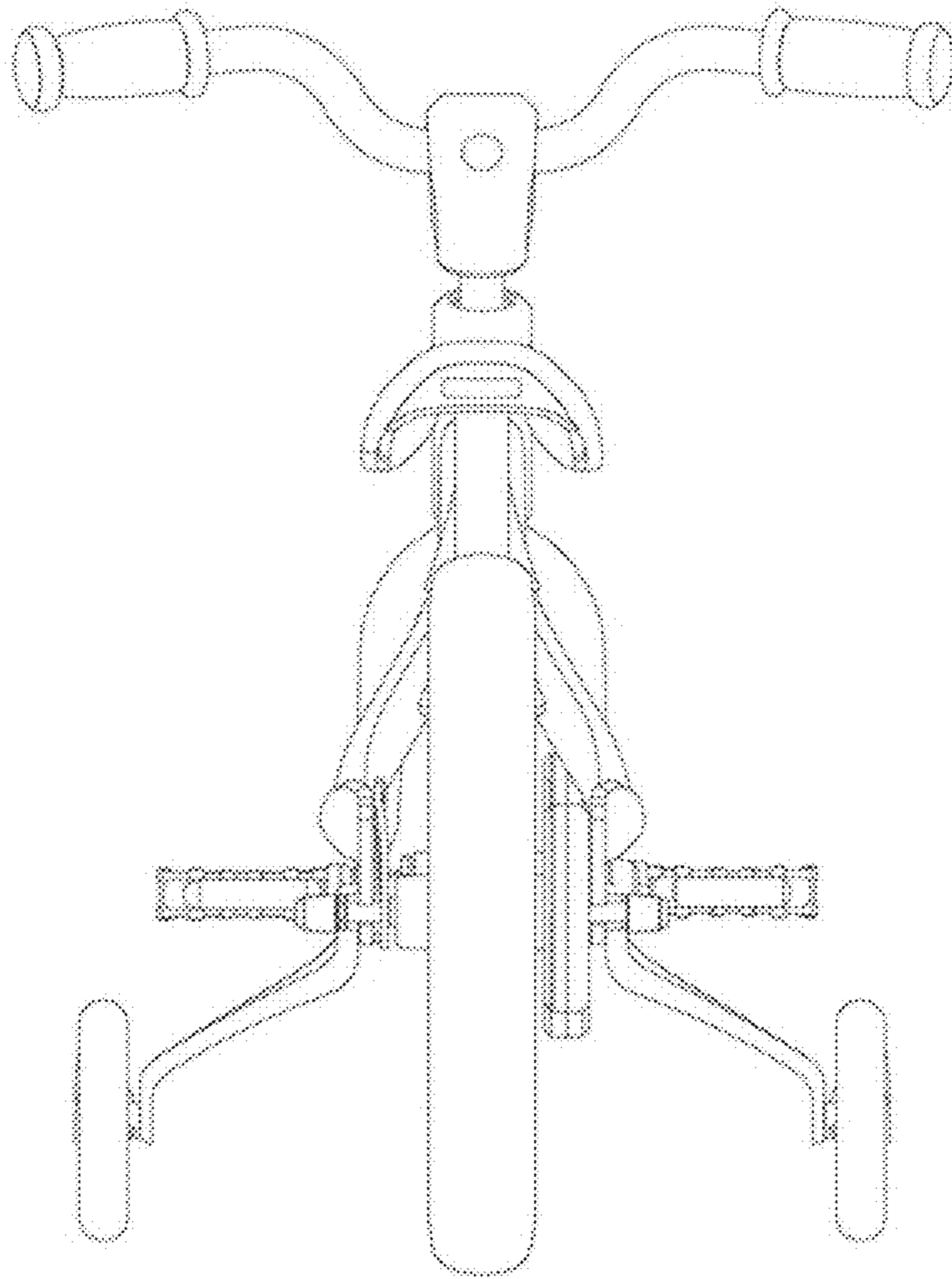
1.2



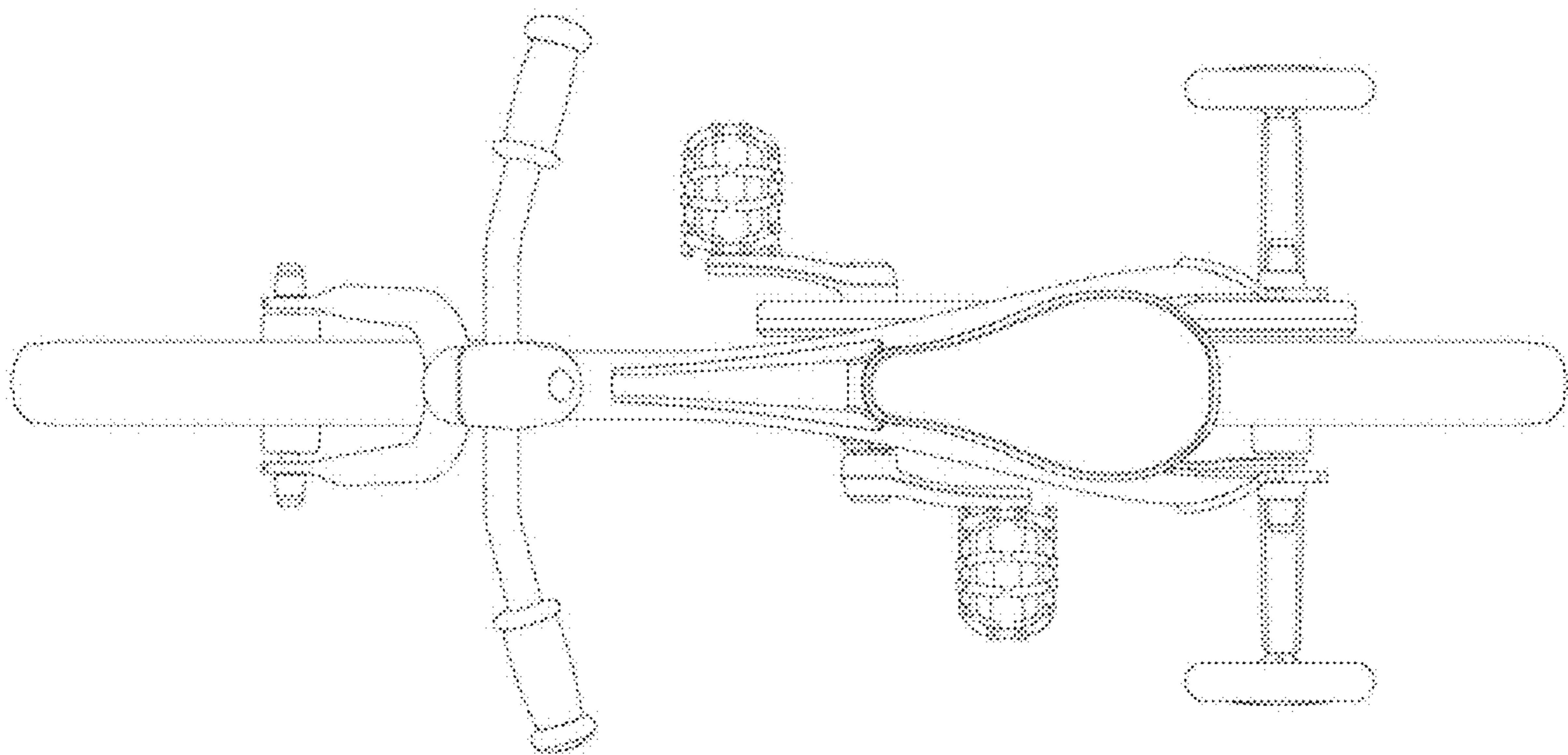
1.3



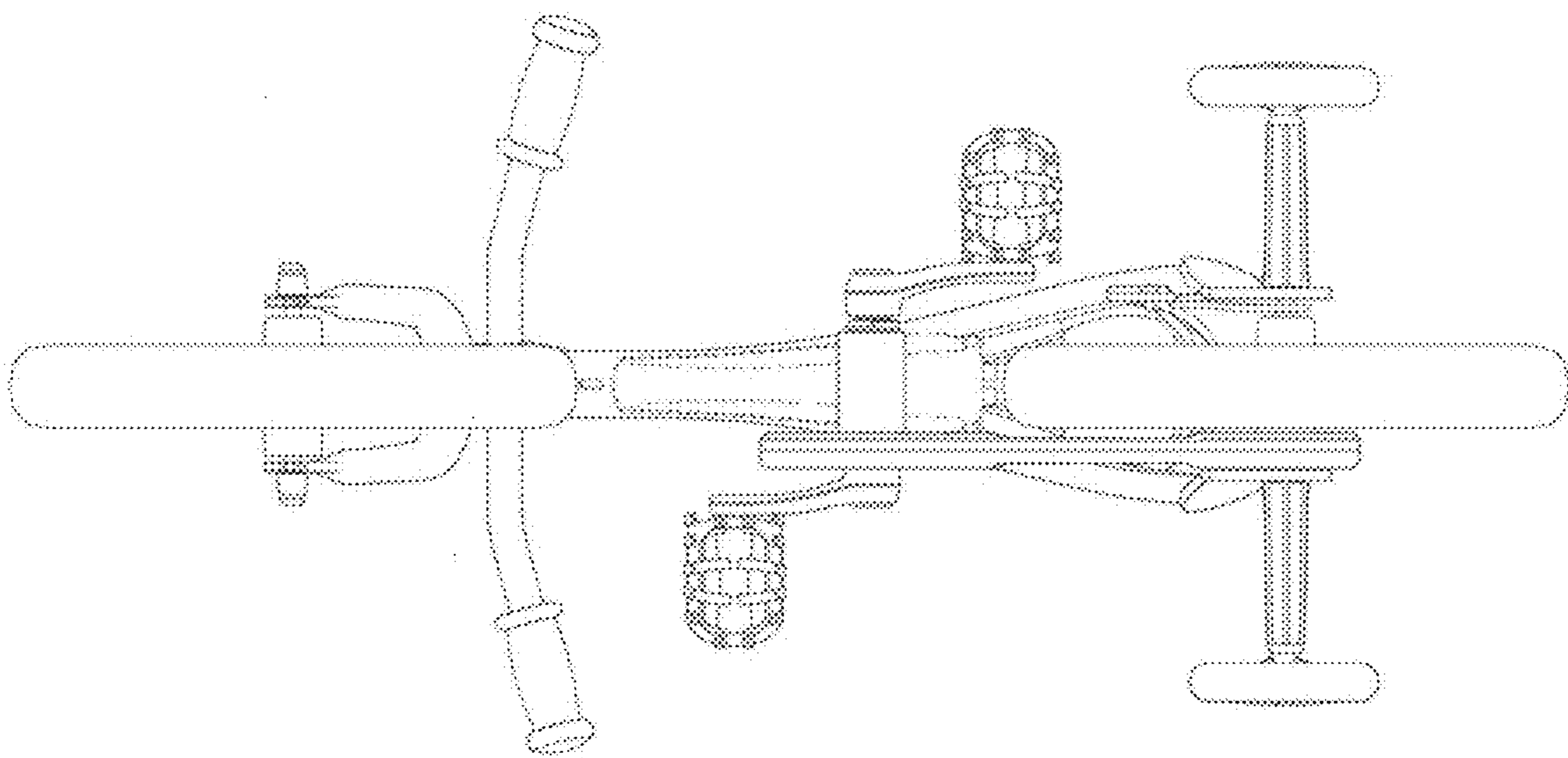
1.4



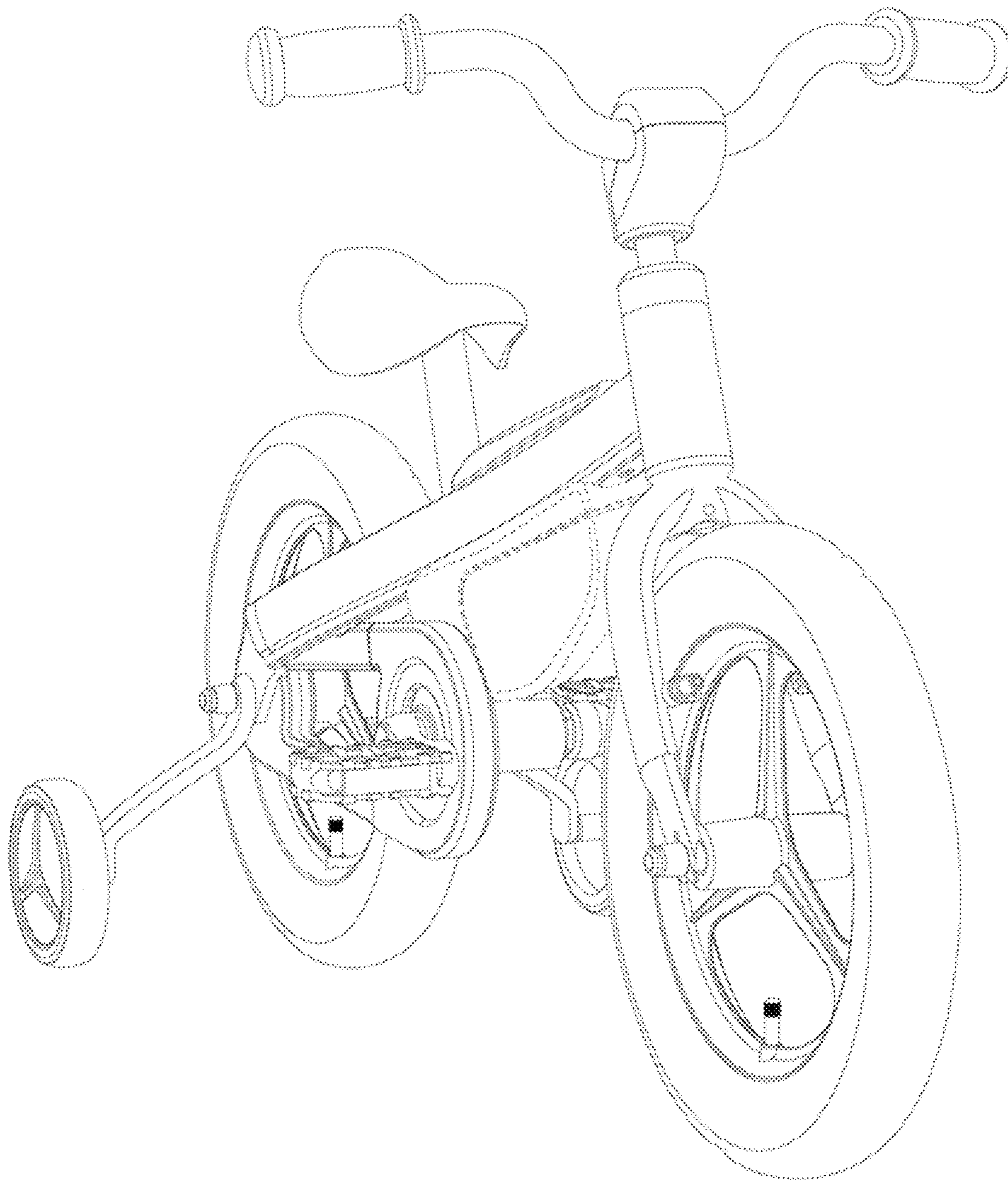
1.5



1.6



1.7



2.1



2.2



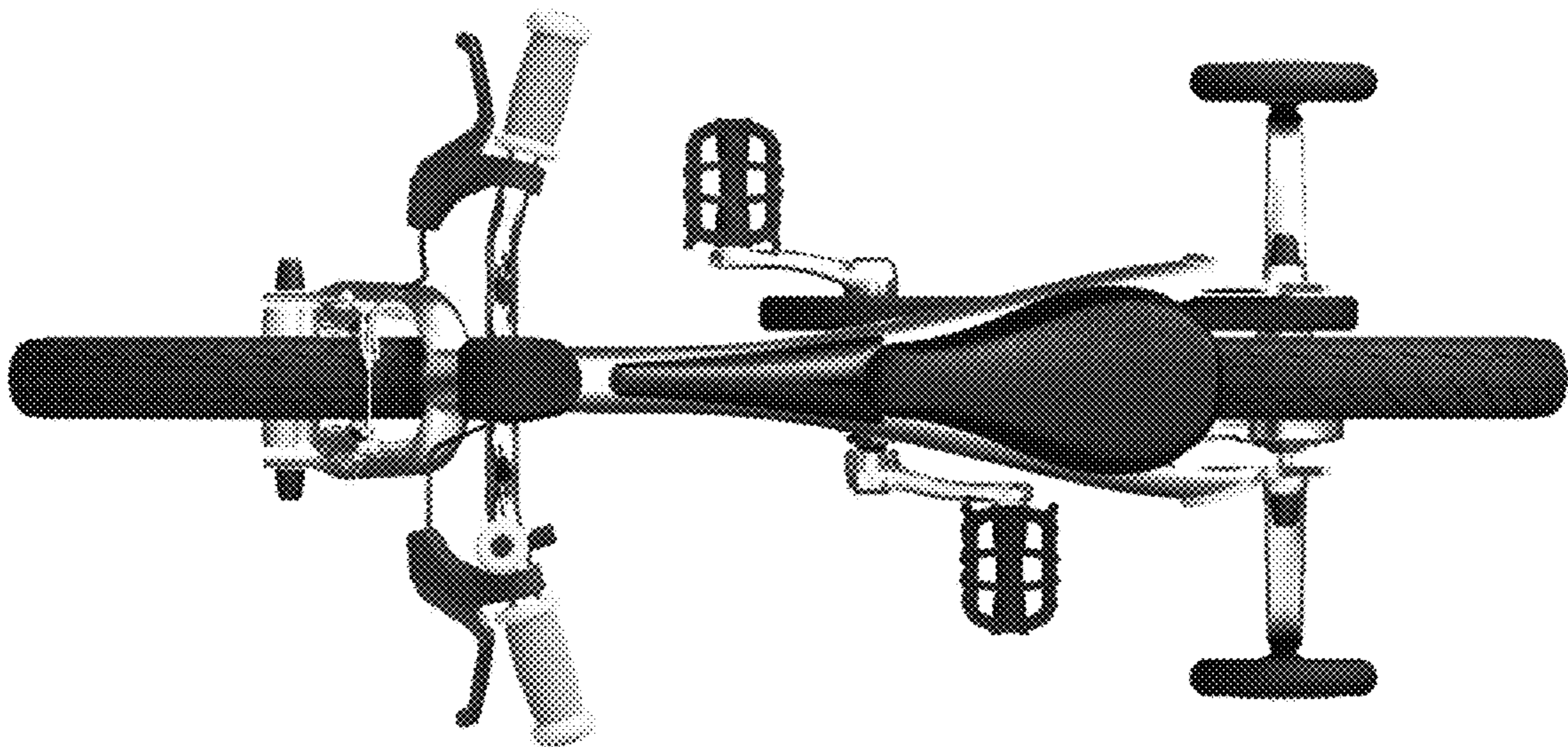
2.3



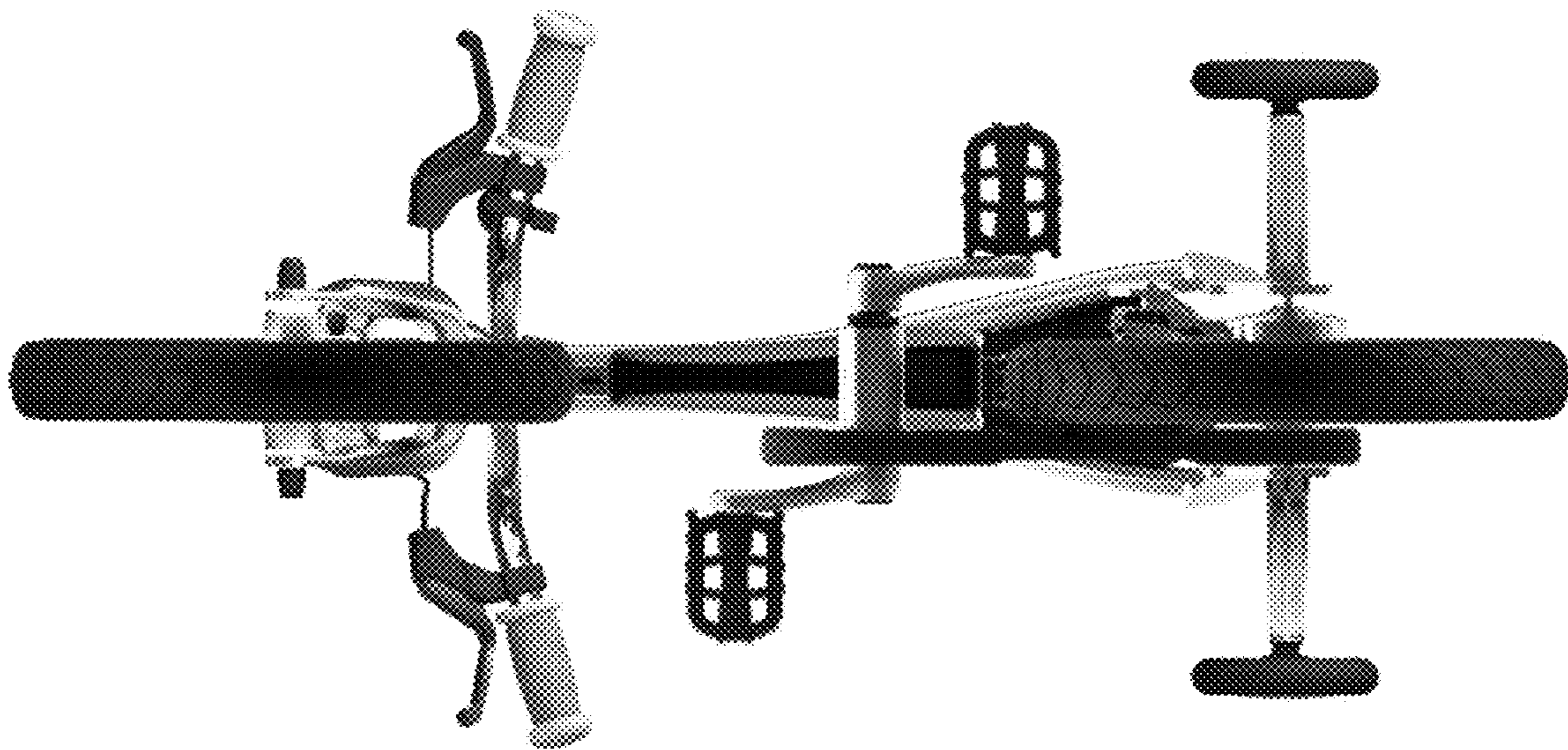
2.4



2.5



2.6



2.7



2.8



2.9

