



US00D829608S

(12) **United States Design Patent**
Lian et al.

(10) **Patent No.:** **US D829,608 S**
(45) **Date of Patent:** **** Oct. 2, 2018**

(54) **AUTOMOBILE**

(71) Applicant: **BYD COMPANY LIMITED**,
Shenzhen, Guangdong (CN)

(72) Inventors: **Yubo Lian**, Shenzhen (CN); **Leyang Li**, Shenzhen (CN); **Wenquan Tang**, Shenzhen (CN); **Changshu Shangguan**, Shenzhen (CN); **Binggen Zhao**, Shenzhen (CN); **Peisong Xie**, Shenzhen (CN); **Fei Wang**, Shenzhen (CN)

(73) Assignee: **BYD Company Limited** (CN)

(**) Term: **15 Years**

(21) Appl. No.: **29/603,729**

(22) Filed: **May 11, 2017**

(30) **Foreign Application Priority Data**

Nov. 15, 2016 (CN) 2016 3 0553337

(51) **LOC (11) Cl.** **12-08**

(52) **U.S. Cl.**
USPC **D12/91**

(58) **Field of Classification Search**
CPC B60R 19/02; B60R 19/04; B62D 25/08
See application file for complete search history.

(56) **References Cited**

U.S. PATENT DOCUMENTS

D680,906 S * 4/2013 Sugimoto D12/91
D689,795 S * 9/2013 Takei D12/91

D697,834 S * 1/2014 Okue D12/91
D715,195 S * 10/2014 Tomatsu D12/92
D719,065 S * 12/2014 Sakae D12/92
D733,613 S * 7/2015 Tomatsu D12/91
D779,378 S * 2/2017 Kim D12/91
D804,357 S * 12/2017 Jeon D12/91
D815,987 S * 4/2018 Lian D12/91
D819,494 S * 6/2018 Zhou D12/91

* cited by examiner

Primary Examiner — Melody N Brown

(74) *Attorney, Agent, or Firm* — Calfee, Halter & Griswold LLP

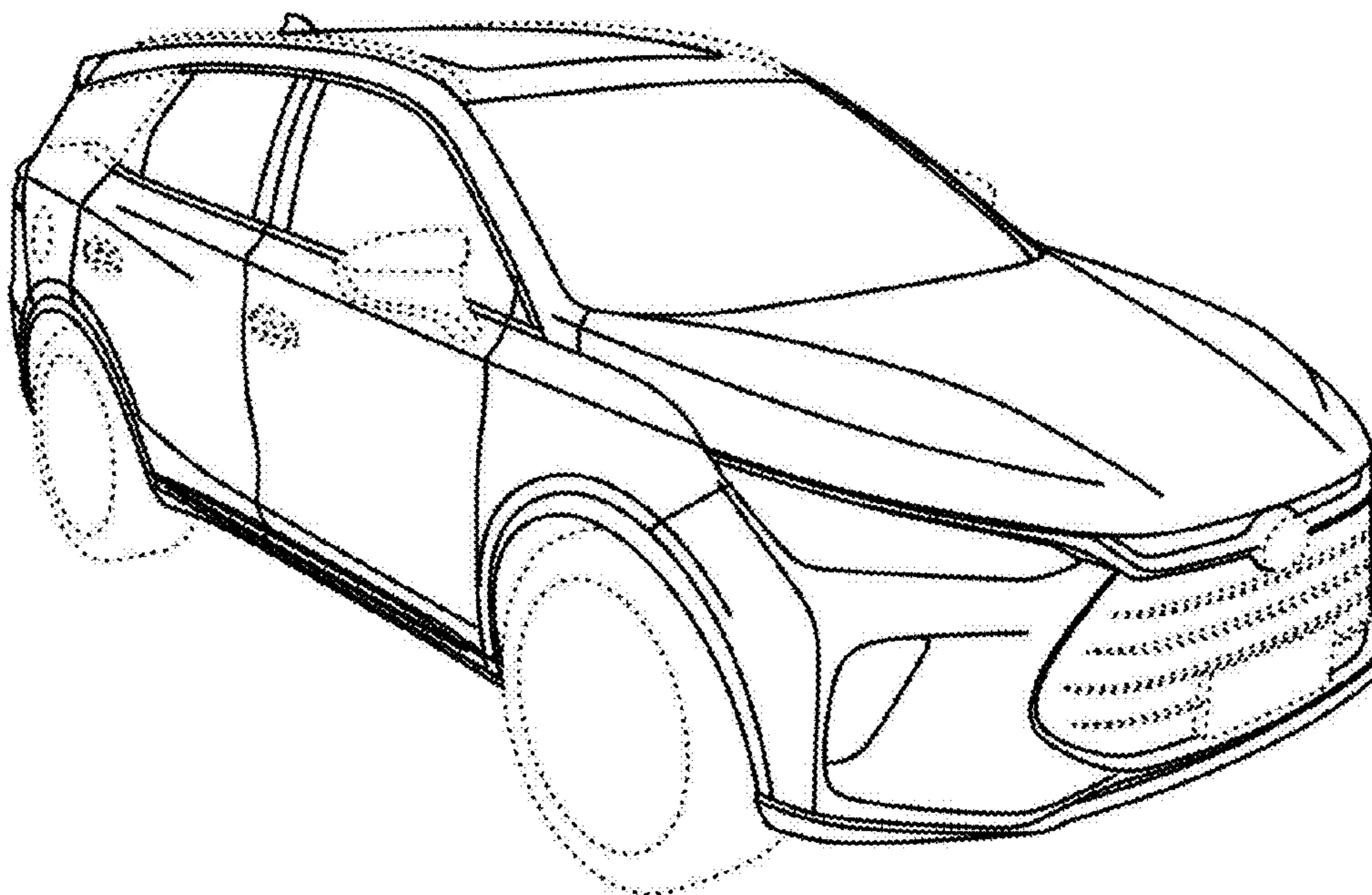
(57) **CLAIM**

We claim the ornamental design for an automobile, as shown and described.

DESCRIPTION

FIG. 1 is a front perspective view of an automobile showing my new design;
FIG. 2 is a rear view thereof;
FIG. 3 is a left view thereof;
FIG. 4 is a right view thereof;
FIG. 5 is a top view thereof;
FIG. 6 is a front perspective view thereof; and,
FIG. 7 is a rear perspective view thereof.
The portions of the vehicle shown in broken lines are for environmental and illustrative purposes only and form no part of the claimed design.

1 Claim, 6 Drawing Sheets



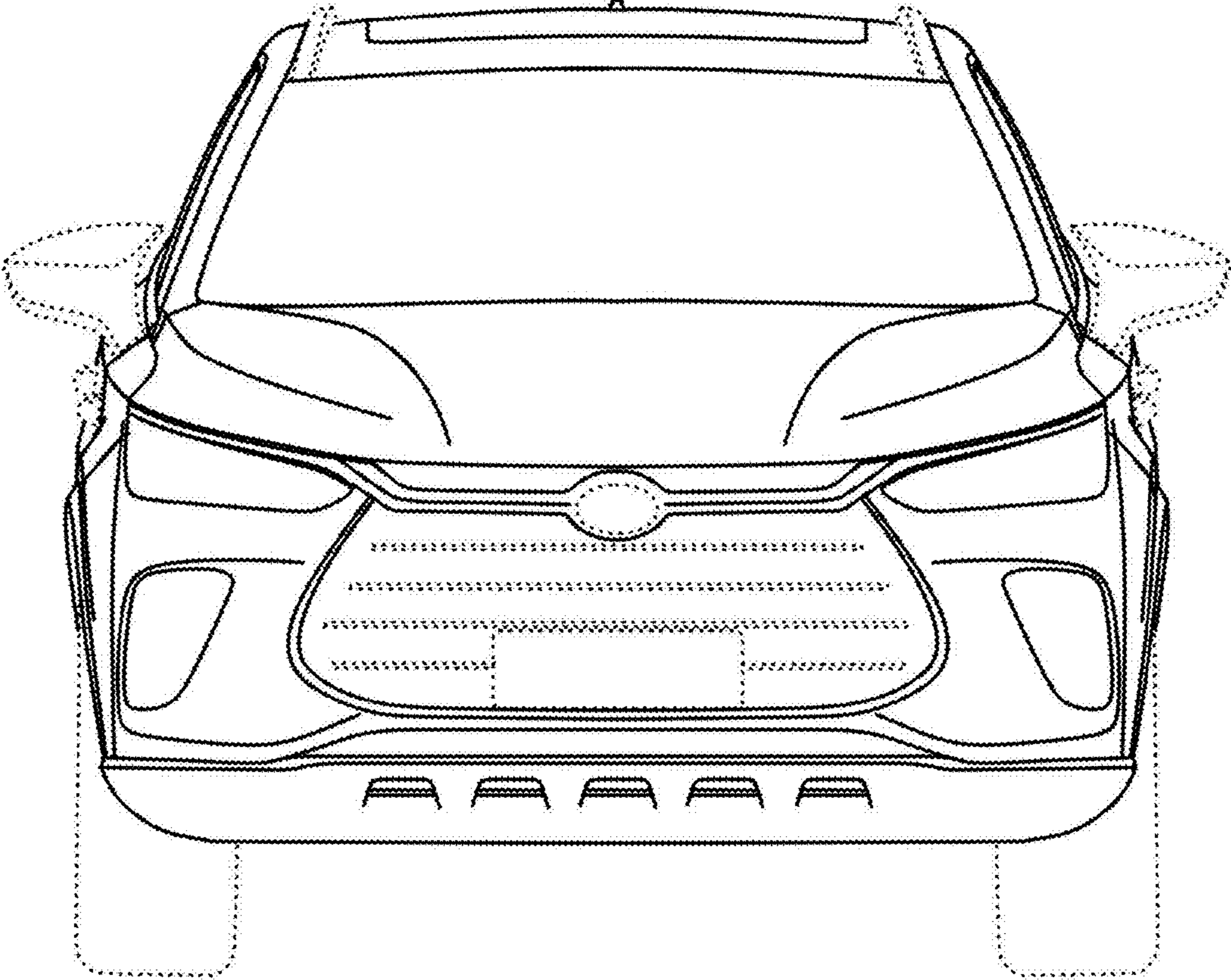


Fig.1

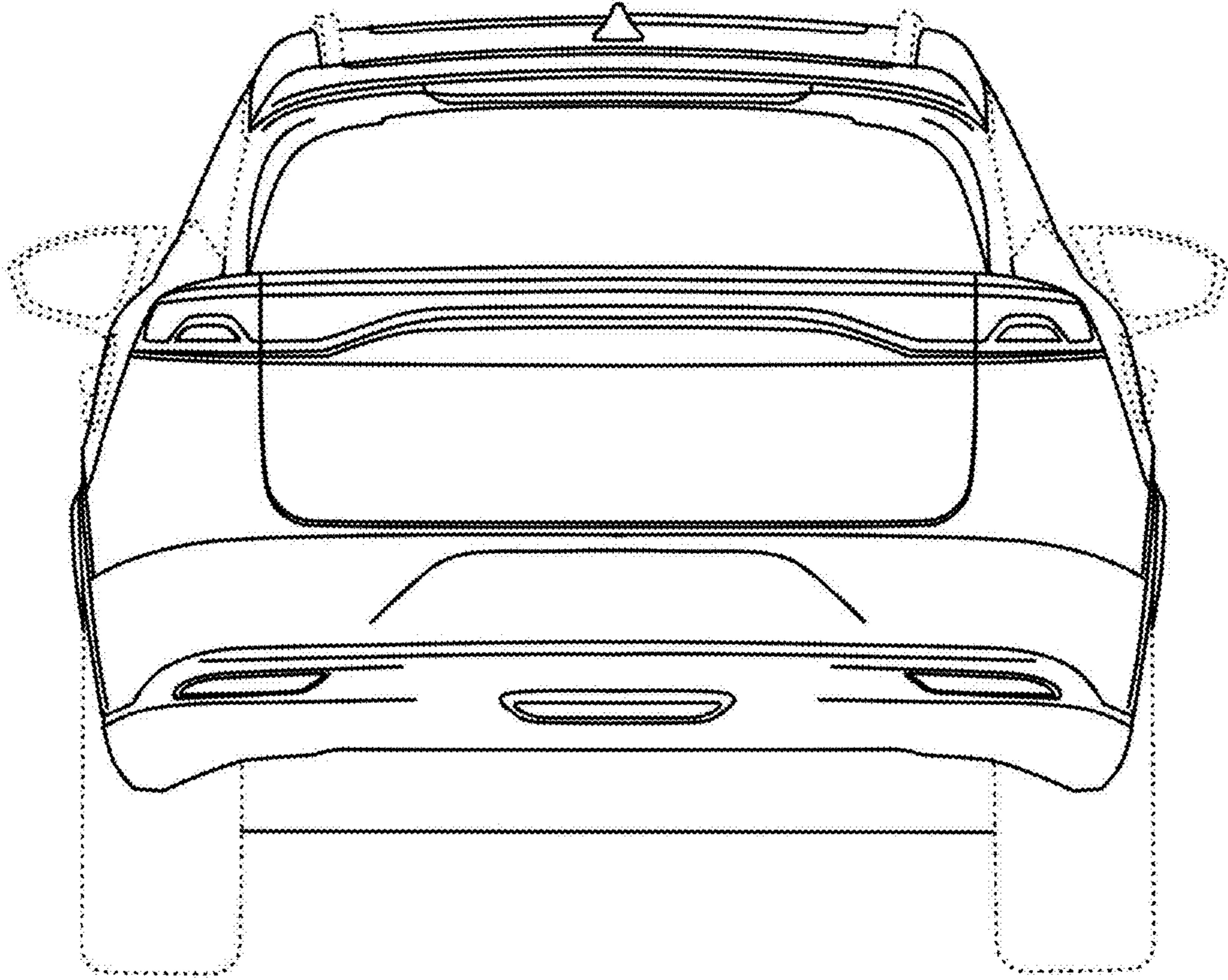


Fig.2

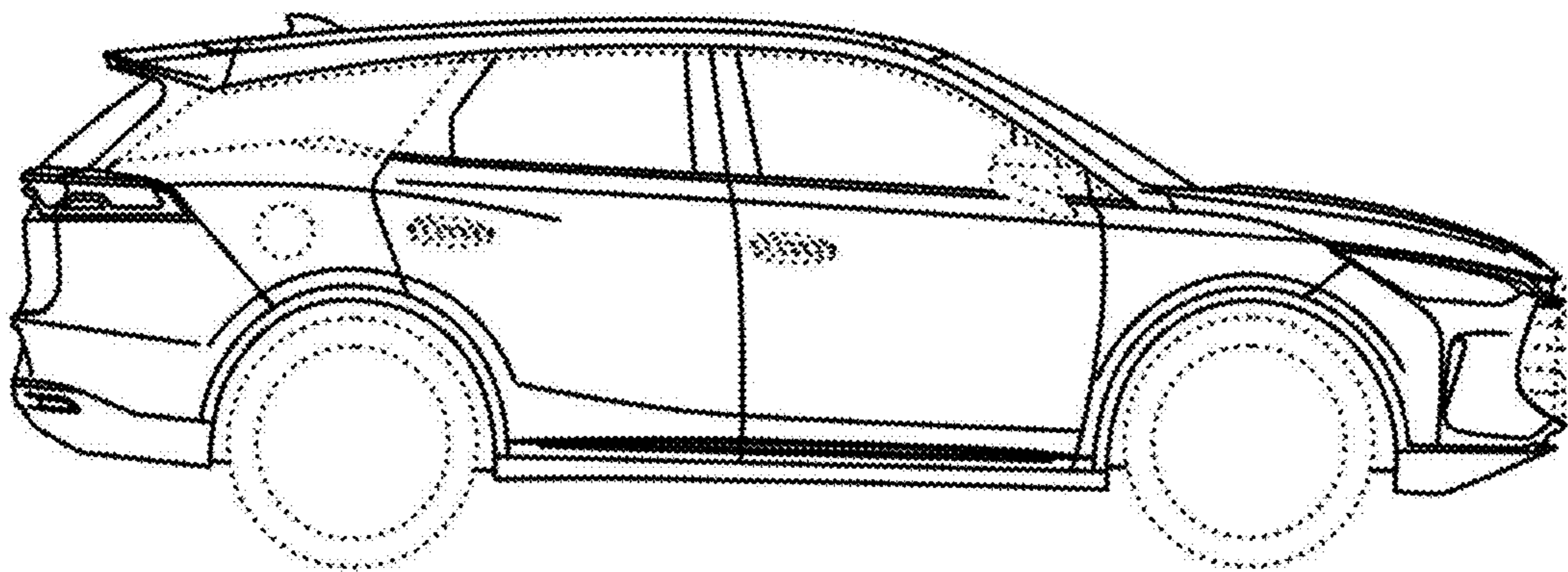


Fig.3

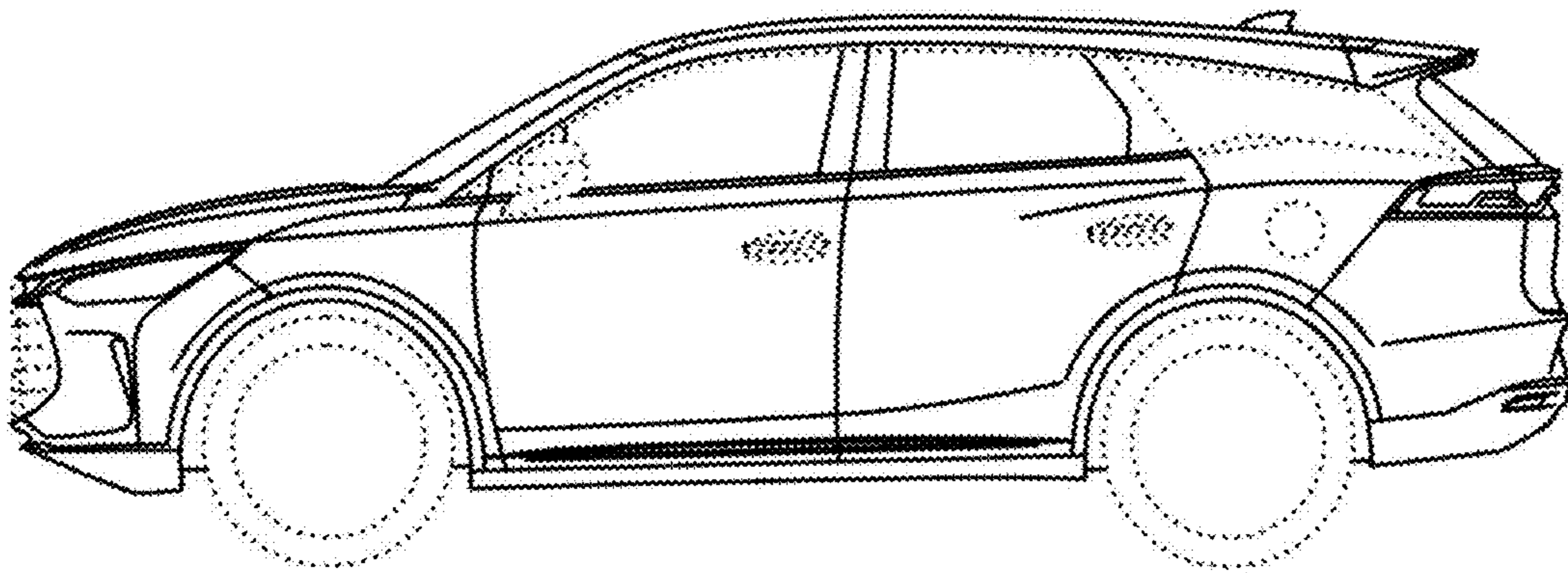


Fig.4

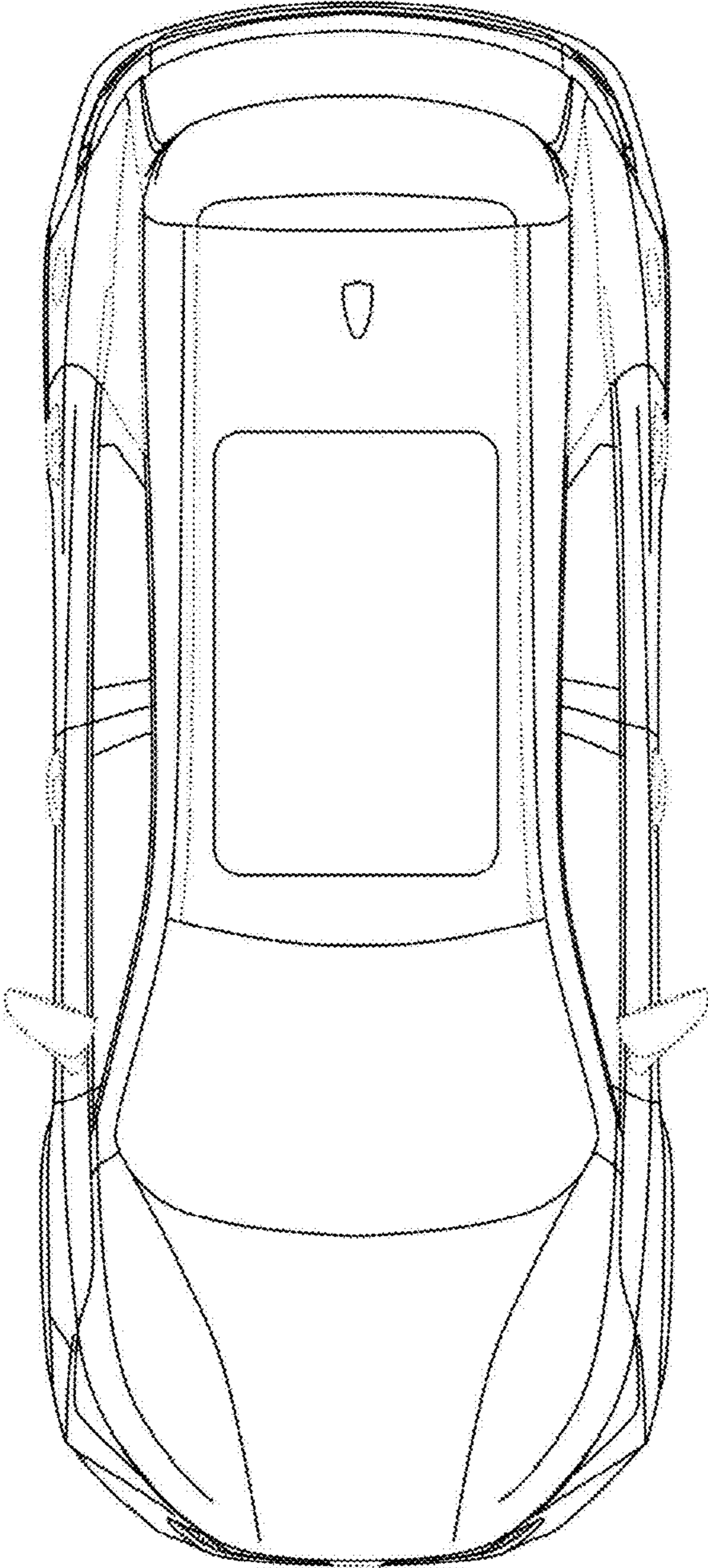


Fig.5

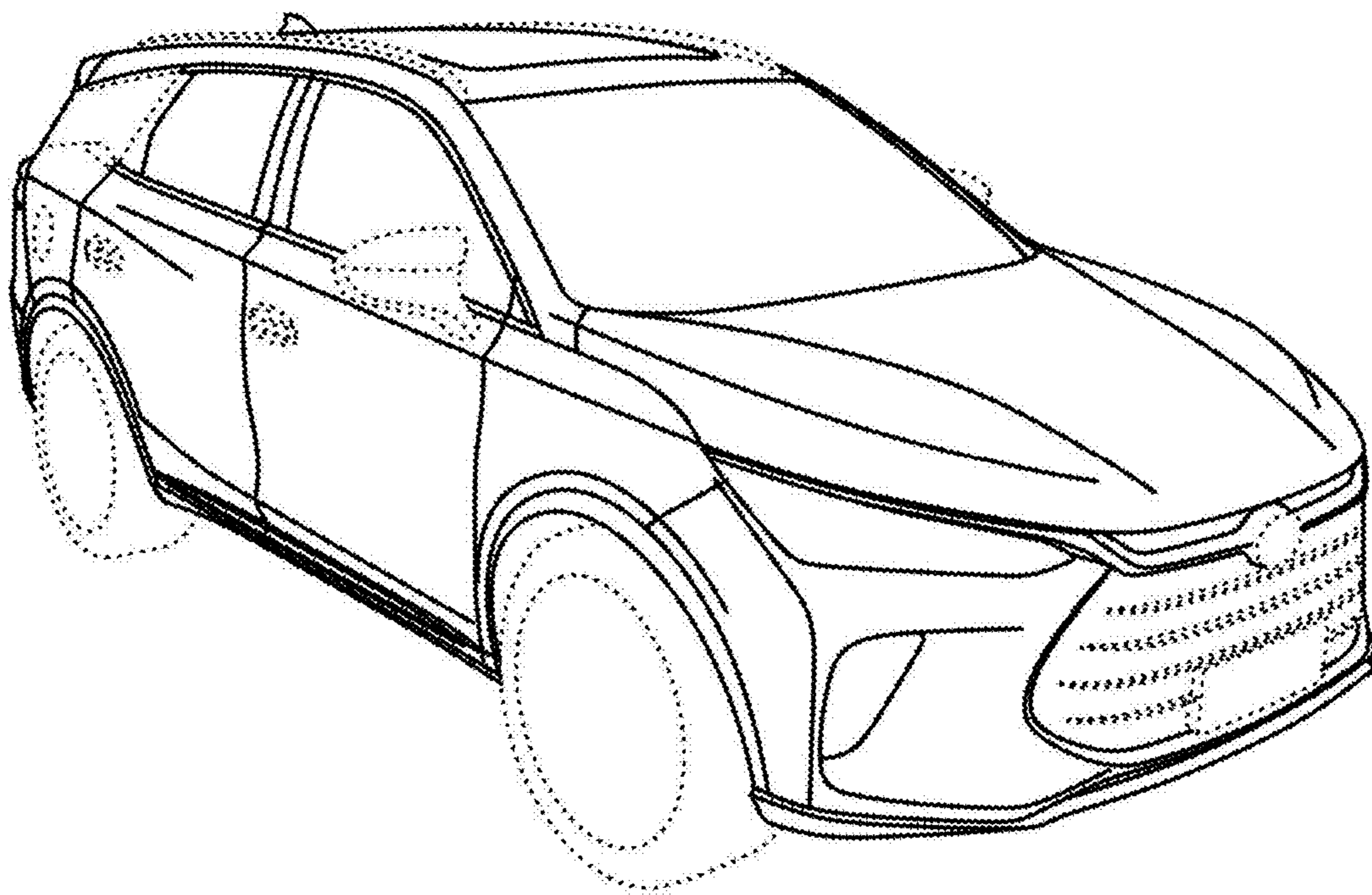


Fig.6

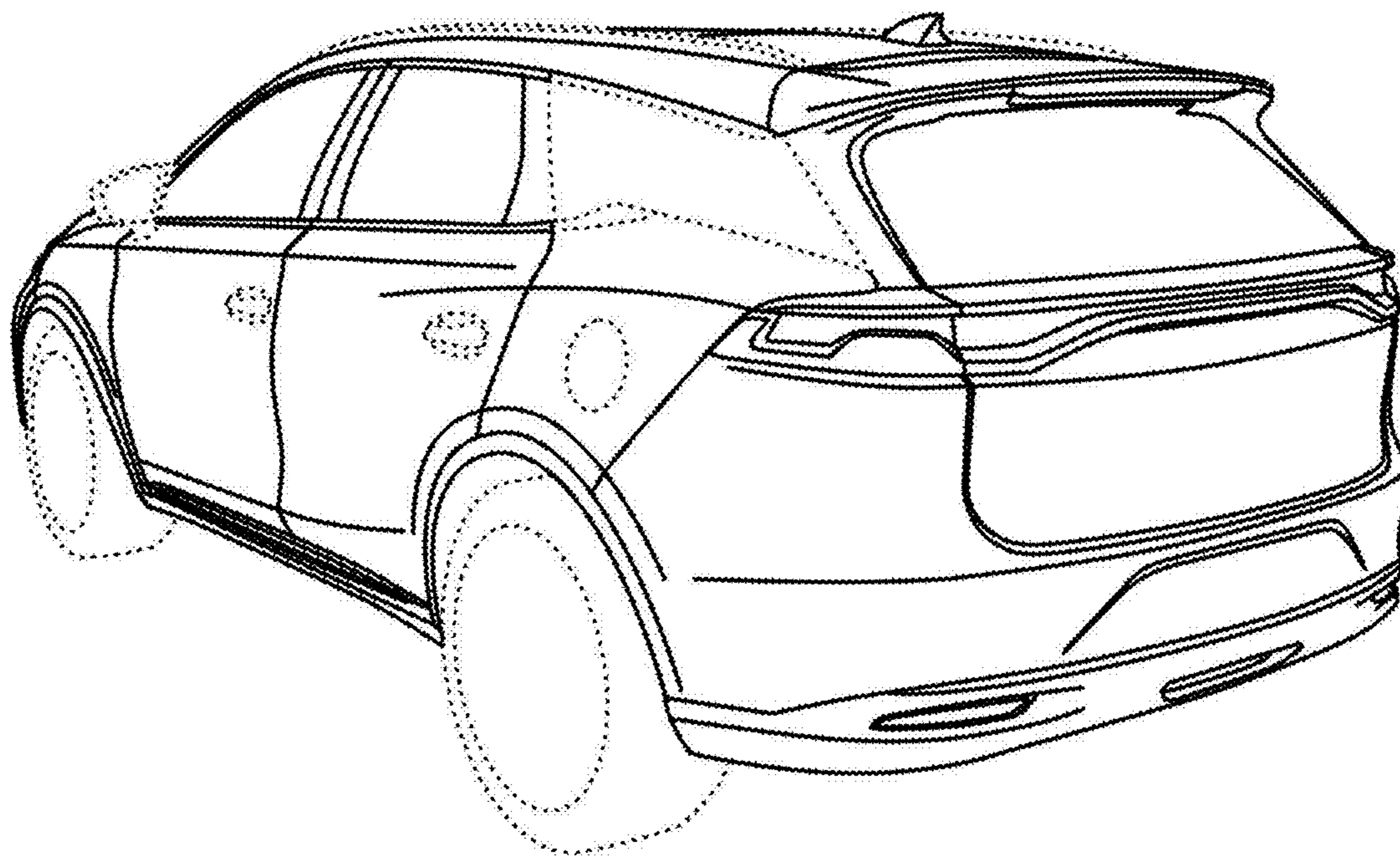


Fig.7