



US00D829604S

(12) **United States Design Patent**  
**Sato et al.**

(10) **Patent No.:** **US D829,604 S**  
(45) **Date of Patent:** **\*\* Oct. 2, 2018**

(54) **MOTOR VEHICLE AND/OR TOY REPLICA THEREOF**

(71) Applicants: **Jinichi Sato**, Saitama (JP); **Nobuya Ota**, Tachikawa (JP)

(72) Inventors: **Jinichi Sato**, Saitama (JP); **Nobuya Ota**, Tachikawa (JP)

(73) Assignee: **Toyota Jidosha Kabushiki Kaisha** (JP)

(\*\*) Term: **15 Years**

(21) Appl. No.: **29/602,611**

(22) Filed: **May 2, 2017**

(51) **LOC (11) Cl.** ..... **12-08**

(52) **U.S. Cl.**  
USPC ..... **D12/84**

(58) **Field of Classification Search**  
USPC ..... D12/82, 84, 86, 92, 100  
CPC ..... B62D 23/00; B62D 25/00; B62D 31/02;  
B62D 31/04; B62D 53/062; B62D 65/00;  
B60G 2202/152; B60G 2300/14; B60P  
3/007; B21D 53/88  
See application file for complete search history.

(56) **References Cited**

**U.S. PATENT DOCUMENTS**

D248,033	S	*	5/1978	James	.....	D12/84
D254,609	S	*	4/1980	Neal	.....	D12/84
D255,340	S	*	6/1980	Flesche	.....	D12/84
D257,141	S	*	9/1980	Flesche	.....	D12/84
D268,997	S	*	5/1983	Dubernard	.....	D12/84
D302,802	S	*	8/1989	Manning	.....	D12/84
D305,623	S	*	1/1990	Gallitzendoerfer	.....	D12/84
D345,120	S	*	3/1994	Normand, Jr.	.....	D12/84
D376,562	S	*	12/1996	Sealy	.....	D12/84
5,669,307	A	*	9/1997	Cichy	.....	B61B 1/02 104/28
D442,888	S	*	5/2001	Papke	.....	D12/84

D503,126	S	*	3/2005	Papke	.....	D12/84
D531,933	S	*	11/2006	Delamour	.....	D12/84
D537,755	S	*	3/2007	Toth	.....	D12/84
D617,236	S	*	6/2010	Counts	.....	D12/84
D637,520	S	*	5/2011	Kerr	.....	D12/84
D642,092	S	*	7/2011	Wiens	.....	D12/84
D704,595	S	*	5/2014	Streicher	.....	D12/84
D714,187	S	*	9/2014	Lian	.....	D12/84
D717,210	S	*	11/2014	Wang	.....	D12/84
D718,659	S	*	12/2014	Lin	.....	D12/84
D721,297	S	*	1/2015	Zhang	.....	D12/84
D721,298	S	*	1/2015	Li	.....	D12/84
2009/0224570	A1	*	9/2009	Haswell	.....	B62D 31/04 296/178

(Continued)

**OTHER PUBLICATIONS**

Volvo Buses Website, Volvo Bus corporation, Volvo 7900 Electric Hybrid, <<http://electrichybrid.volvobuses.com/>>, available as early as Apr. 27, 2016.

(Continued)

*Primary Examiner* — Darlington Ly

(74) *Attorney, Agent, or Firm* — Saidman DesignLaw Group, LLC

(57) **CLAIM**

The ornamental design for a motor vehicle and/or toy replica thereof, as shown and described.

**DESCRIPTION**

FIG. 1 is a front right perspective view of a motor vehicle and/or toy replica thereof showing our new design; FIG. 2 is a rear left perspective view thereof; FIG. 3 is a front view thereof; FIG. 4 is a rear view thereof; FIG. 5 is a top view thereof; FIG. 6 is a right side view thereof; and, FIG. 7 is a left side view thereof.

**1 Claim, 7 Drawing Sheets**



(56)

**References Cited**

U.S. PATENT DOCUMENTS

2012/0161469 A1\* 6/2012 Kerr ..... B62D 31/02  
296/178

OTHER PUBLICATIONS

Toyota Global Newsroom, Toyota, Toyota FC Bus, <<http://newsroom.toyota.co.jp/en/detail/4875146/>>, available on Jan. 8, 2015.

Hino News Release, Hino, Hino Blue Ribbon, <[http://www.hino.co.jp/news\\_release/15-014.html](http://www.hino.co.jp/news_release/15-014.html)>, available on Aug. 26, 2015.

\* cited by examiner



FIG. 1

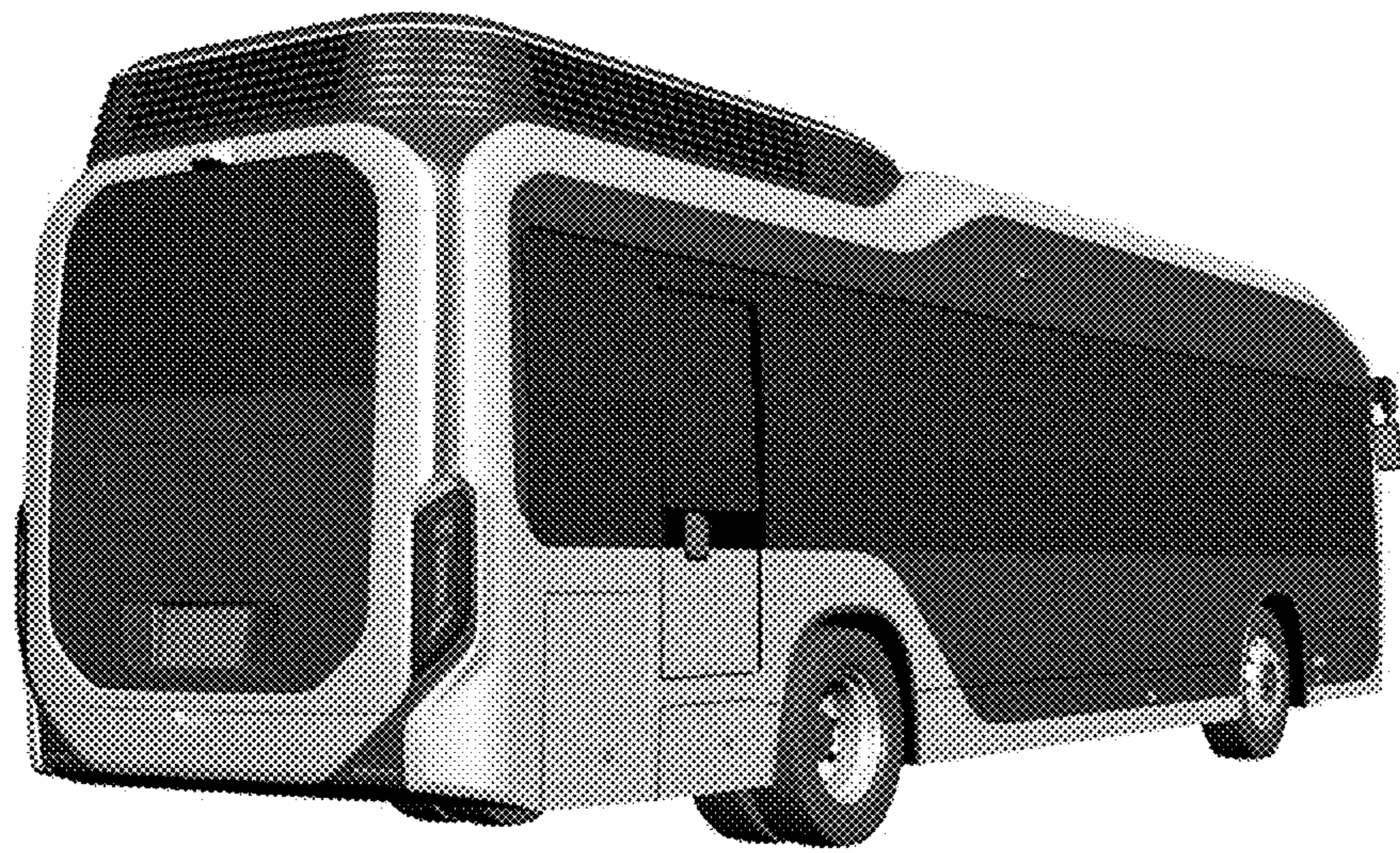


FIG. 2

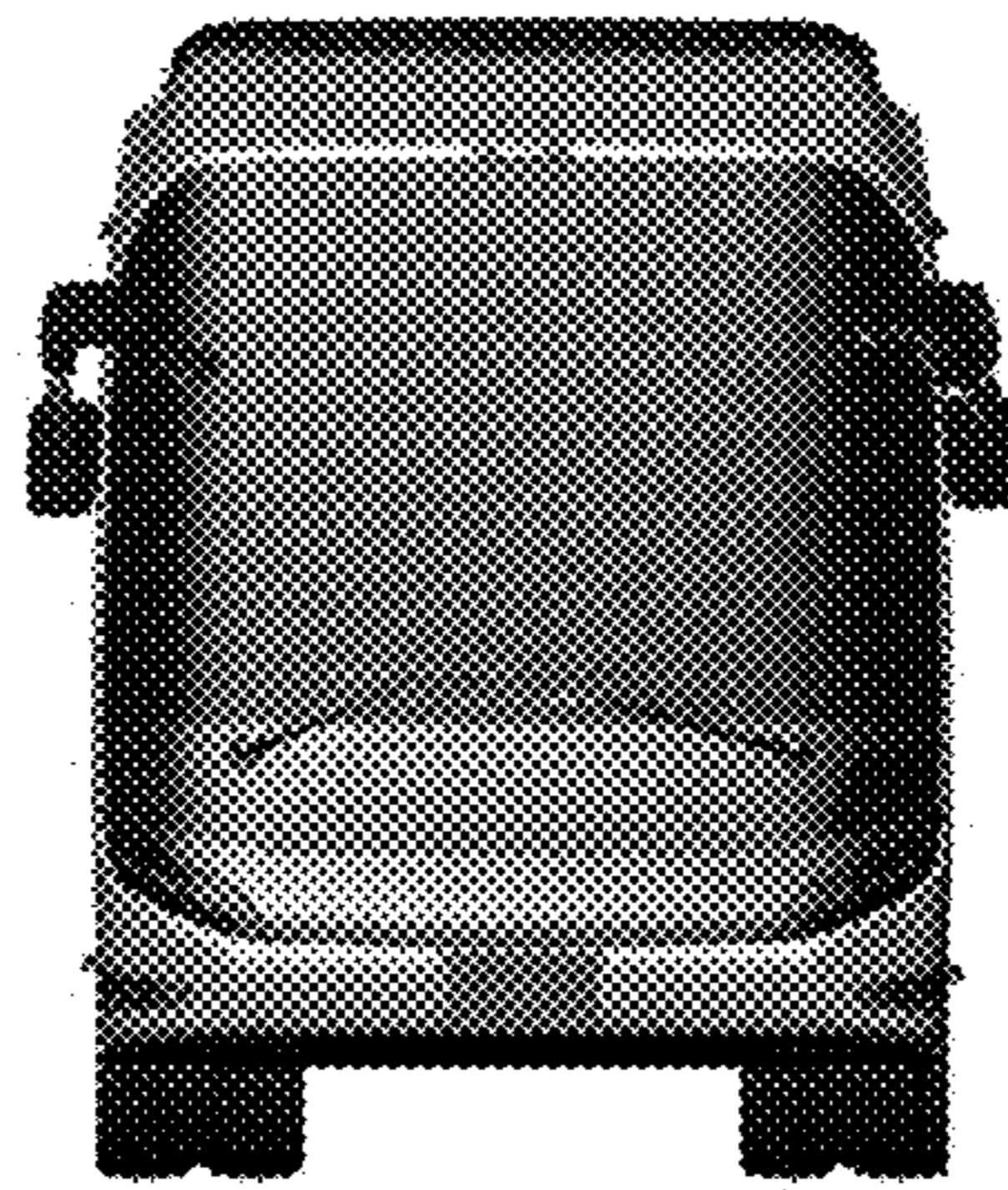


FIG. 3

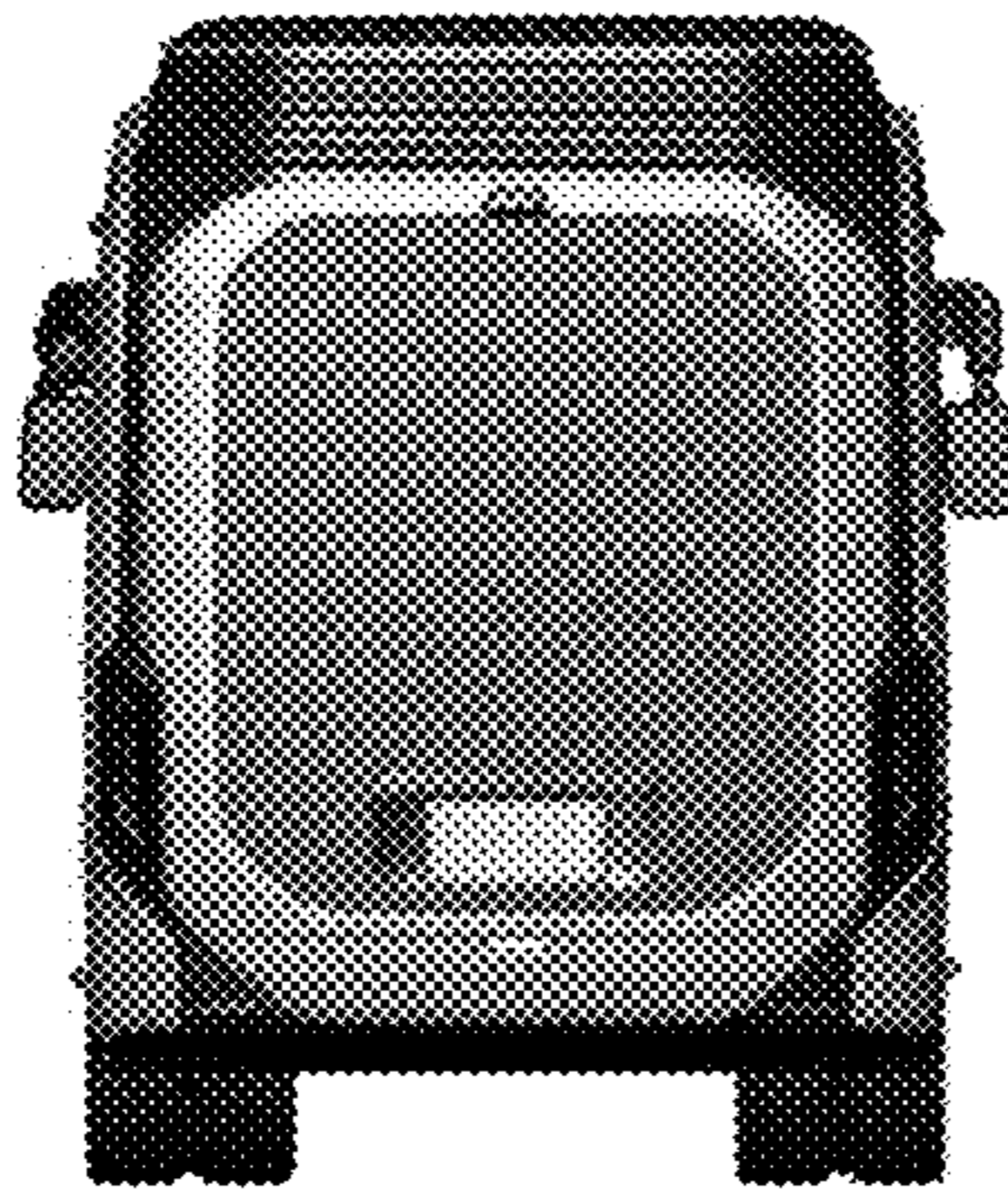


FIG. 4

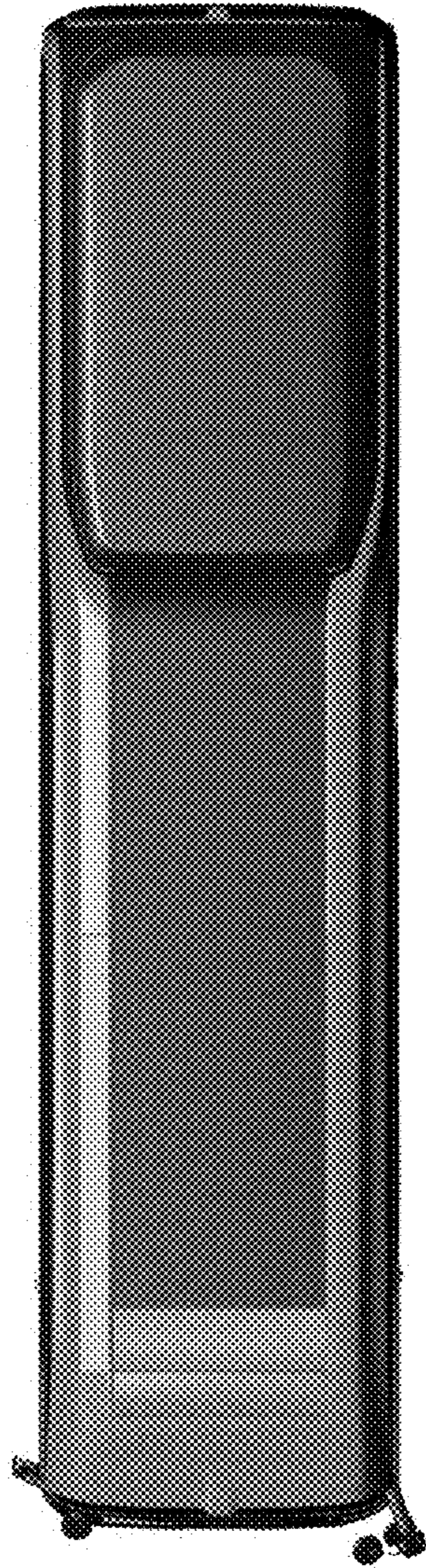


FIG. 5

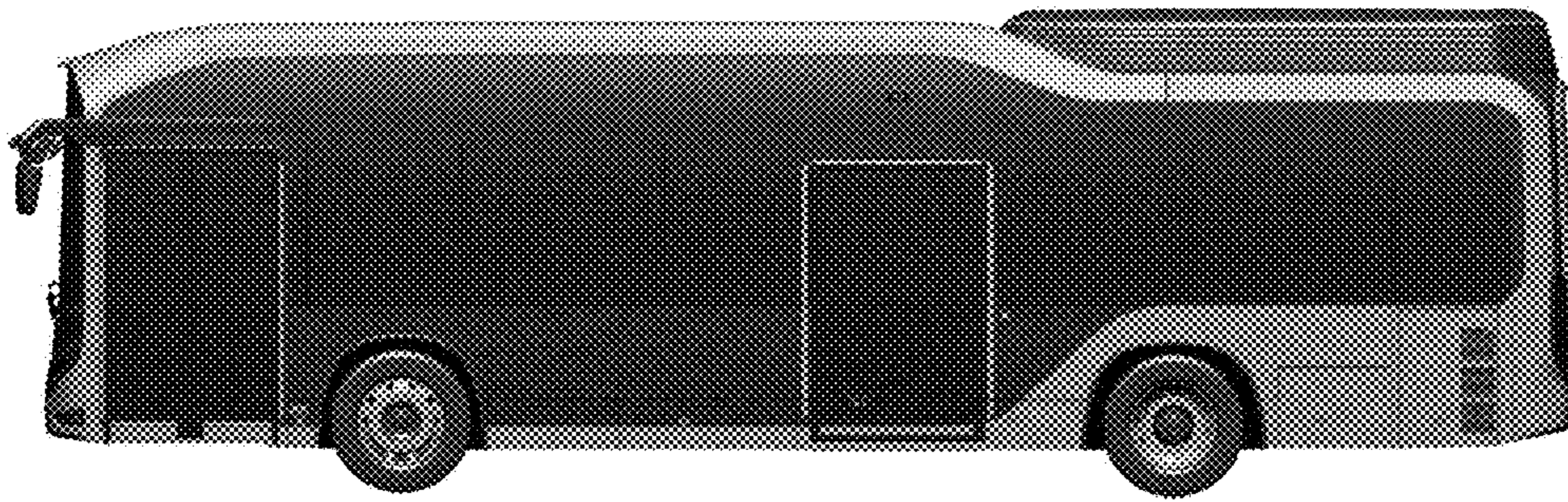


FIG. 6



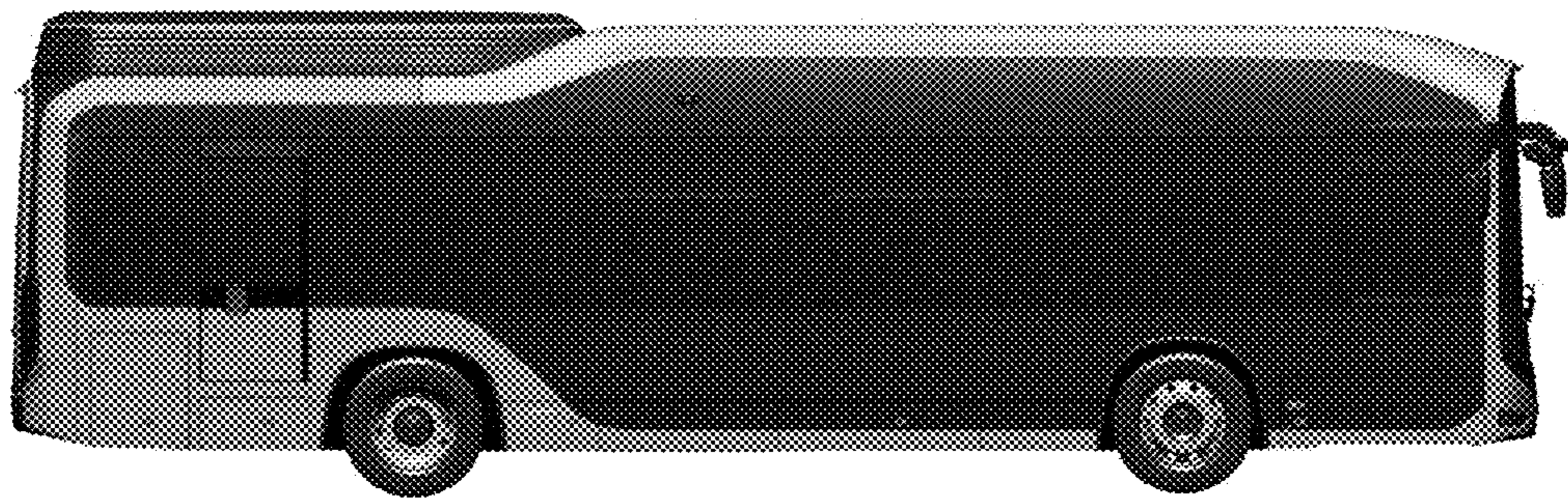


FIG. 7