



US00D829603S

(12) **United States Design Patent**  
**Ying et al.**

(10) **Patent No.:** **US D829,603 S**  
(45) **Date of Patent:** **\*\* Oct. 2, 2018**

- (54) **ELECTRIC BALANCE VEHICLE**
- (71) Applicant: **HANGZHOU CHIC INTELLIGENT TECHNOLOGY CO., LTD**, Hangzhou (CN)
- (72) Inventors: **Jiawei Ying**, Hangzhou (CN);  
**Xinsheng Sun**, Hangzhou (CN)
- (73) Assignee: **HANGZHOU CHIC INTELLIGENT TECHNOLOGY CO., LTD.**, Hangzhou (CN)
- (\*\*) Term: **15 Years**
- (21) Appl. No.: **29/589,819**
- (22) Filed: **Jan. 4, 2017**

- D551,722 S \* 9/2007 Chang ..... B62K 11/007  
D12/1
- 7,303,032 B2 \* 12/2007 Kahlert ..... B62D 61/00  
180/21
- D569,308 S \* 5/2008 Bergeron ..... D12/7
- D601,922 S \* 10/2009 Imai ..... D12/1
- D614,532 S \* 4/2010 Rudolph ..... D12/1
- D614,997 S \* 5/2010 Timonen ..... D12/1
- D614,998 S \* 5/2010 Fujita ..... D12/1
- D619,045 S \* 7/2010 Fujita ..... D12/1
- D626,031 S \* 10/2010 Doran ..... D12/1
- D626,884 S \* 11/2010 Fujita ..... D12/1
- D627,377 S \* 11/2010 Wiley ..... D15/199
- D633,912 S \* 3/2011 Llopis Vano ..... D14/413
- 7,958,961 B1 \* 6/2011 Schade ..... B62K 11/007  
180/19.1
- 8,201,653 B2 \* 6/2012 Strassman ..... B60N 2/002  
180/218
- 8,322,478 B2 \* 12/2012 Kim ..... B62K 11/007  
180/218

(30) **Foreign Application Priority Data**

Dec. 26, 2016 (CN) ..... 2016 3 0646148

- (51) **LOC (11) Cl.** ..... **12-13**
- (52) **U.S. Cl.**  
USPC ..... **D12/1**
- (58) **Field of Classification Search**  
USPC .... D12/1, 8, 14, 85, 86, 112, 113, 128, 130;  
D21/419, 421, 423, 424, 435  
CPC ..... B62D 51/02; B62K 3/007  
See application file for complete search history.

(56) **References Cited**

**U.S. PATENT DOCUMENTS**

- D280,089 S \* 8/1985 Blower ..... D12/128
- D355,148 S \* 2/1995 Orsolini ..... D12/1
- 6,907,949 B1 \* 6/2005 Wang ..... B62D 51/02  
180/19.1
- D507,206 S \* 7/2005 Wang ..... D12/1
- D528,468 S \* 9/2006 Arling ..... D12/1
- 7,243,572 B1 \* 7/2007 Arling ..... A63C 17/08  
464/162
- D551,592 S \* 9/2007 Chang ..... D12/1

(Continued)

*Primary Examiner* — Darlington Ly

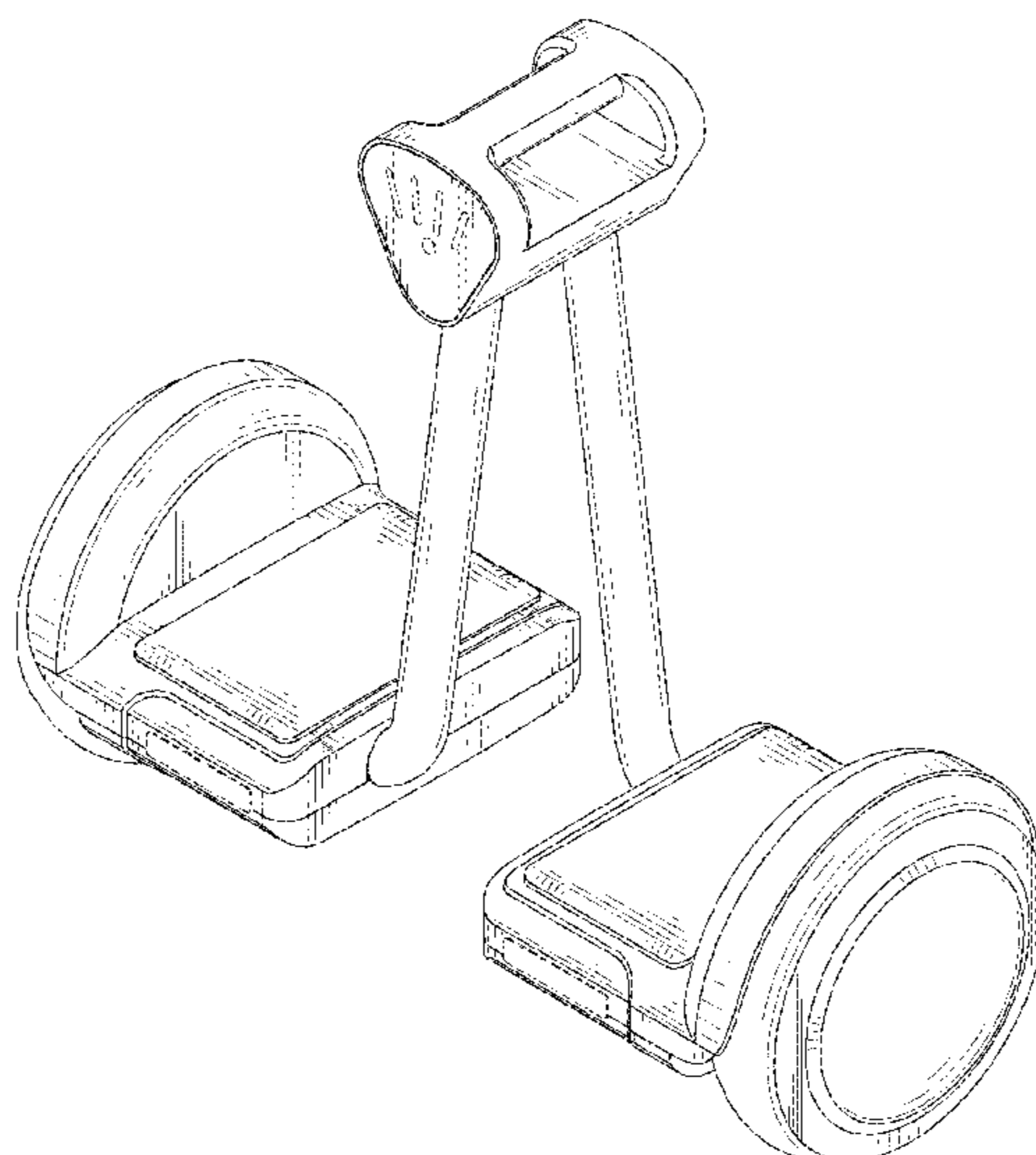
(57) **CLAIM**

The ornamental design for an electric balance vehicle, as shown and described.

**DESCRIPTION**

FIG. 1 is a top, front, and right side perspective view of an electric balance vehicle showing our new design;  
 FIG. 2 is a front elevational view thereof;  
 FIG. 3 is a rear elevational view thereof;  
 FIG. 4 is a left side elevational view thereof;  
 FIG. 5 is a right side elevational view thereof;  
 FIG. 6 is a top plan view thereof; and,  
 FIG. 7 is a bottom plan view thereof.  
 The broken lines in the drawing illustrate portions of the electric balance vehicle that form no part of the claimed design.

**1 Claim, 7 Drawing Sheets**



(56)

References Cited

U.S. PATENT DOCUMENTS

8,397,854	B1 *	3/2013	Nam	.....	B62K 25/283 180/210
D699,626	S *	2/2014	Nam	.....	D12/1
8,800,697	B2 *	8/2014	Hoffmann	.....	B60T 7/042 180/21
D735,608	S *	8/2015	Cao	.....	D12/1
D743,843	S *	11/2015	Guo	.....	D12/1
9,188,984	B2 *	11/2015	Kamen	.....	A63C 17/01
D748,533	S *	2/2016	Collins	.....	D12/1
9,403,573	B1 *	8/2016	Mazzei	.....	B62D 51/02
D766,131	S *	9/2016	Harding	.....	D12/85
D774,600	S *	12/2016	Tao	.....	D12/1
D774,940	S *	12/2016	de la Gandara	.....	D12/1
D788,639	S *	6/2017	Constin	.....	D12/1
D793,905	S *	8/2017	Liu	.....	D12/1
D795,134	S *	8/2017	Liu	.....	D12/1
2005/0134014	A1 *	6/2005	Xie	.....	B62D 51/001 280/93.502
2008/0245594	A1 *	10/2008	Ishii	.....	B62D 37/00 180/218
2009/0115149	A1 *	5/2009	Wallis	.....	B60N 2/002 280/6.159
2009/0237032	A1 *	9/2009	Nam	.....	H01M 10/441 320/116
2010/0065361	A1 *	3/2010	Nam	.....	B60W 30/04 180/211

\* cited by examiner

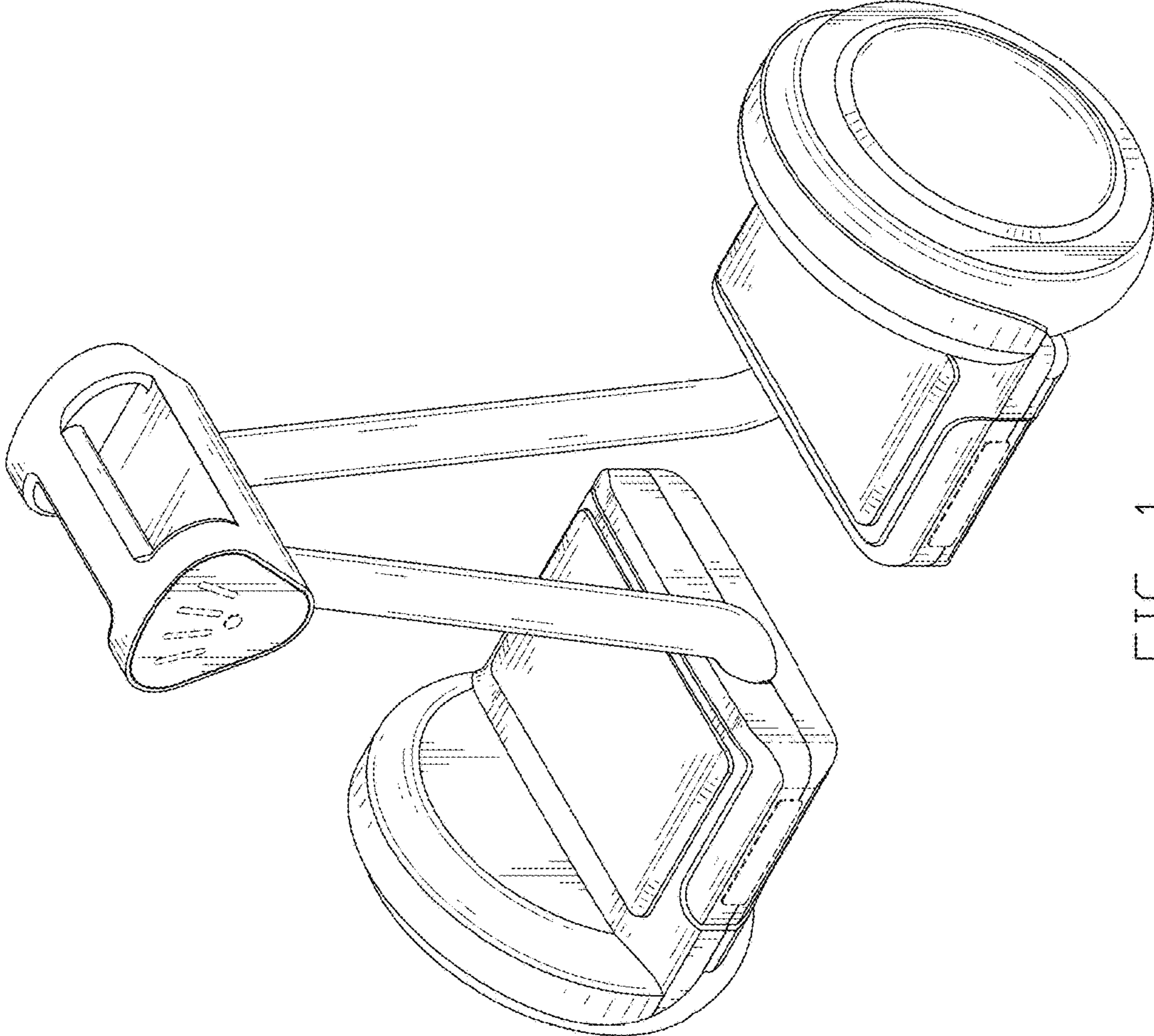


FIG. 1

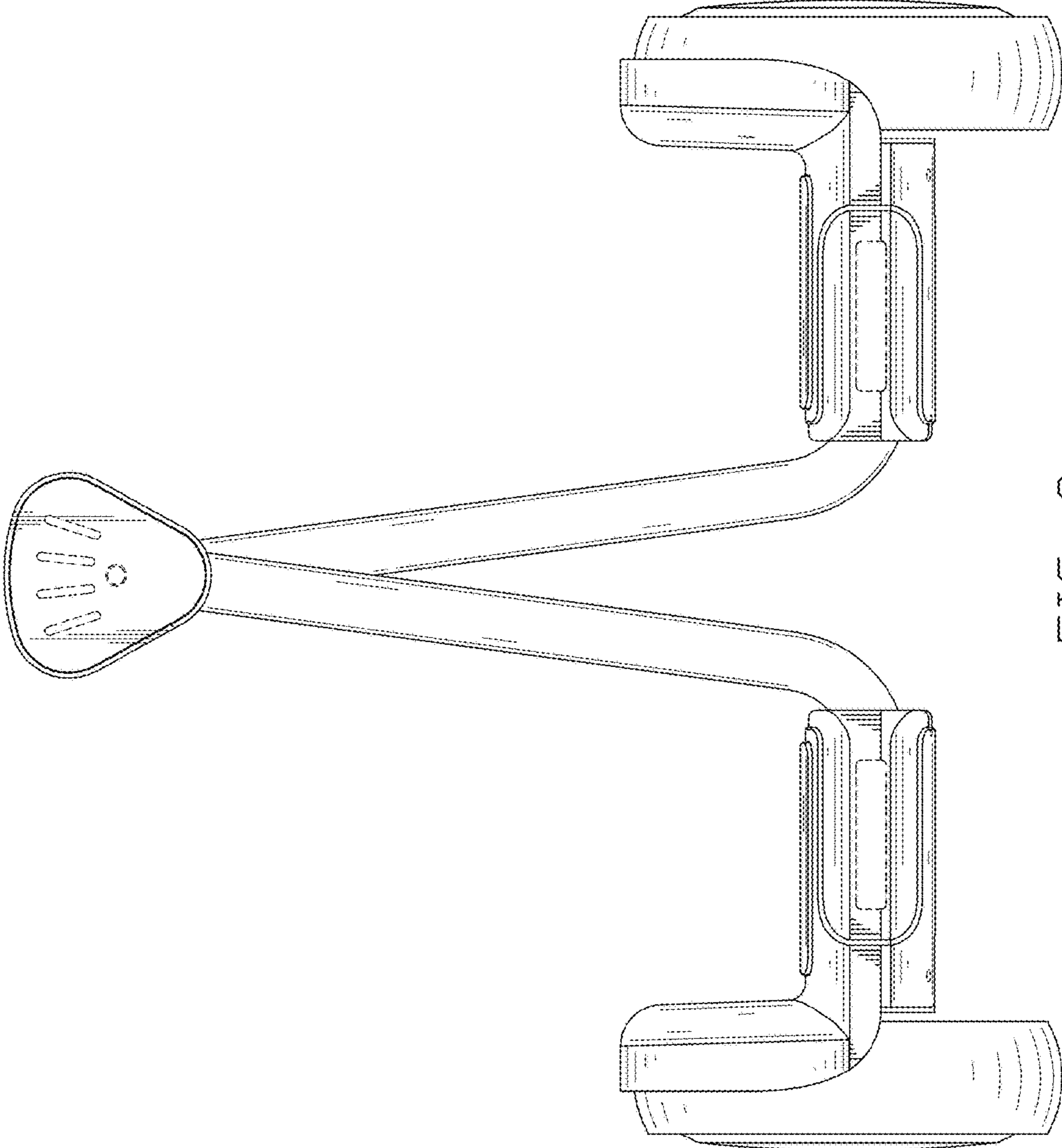


FIG. 2

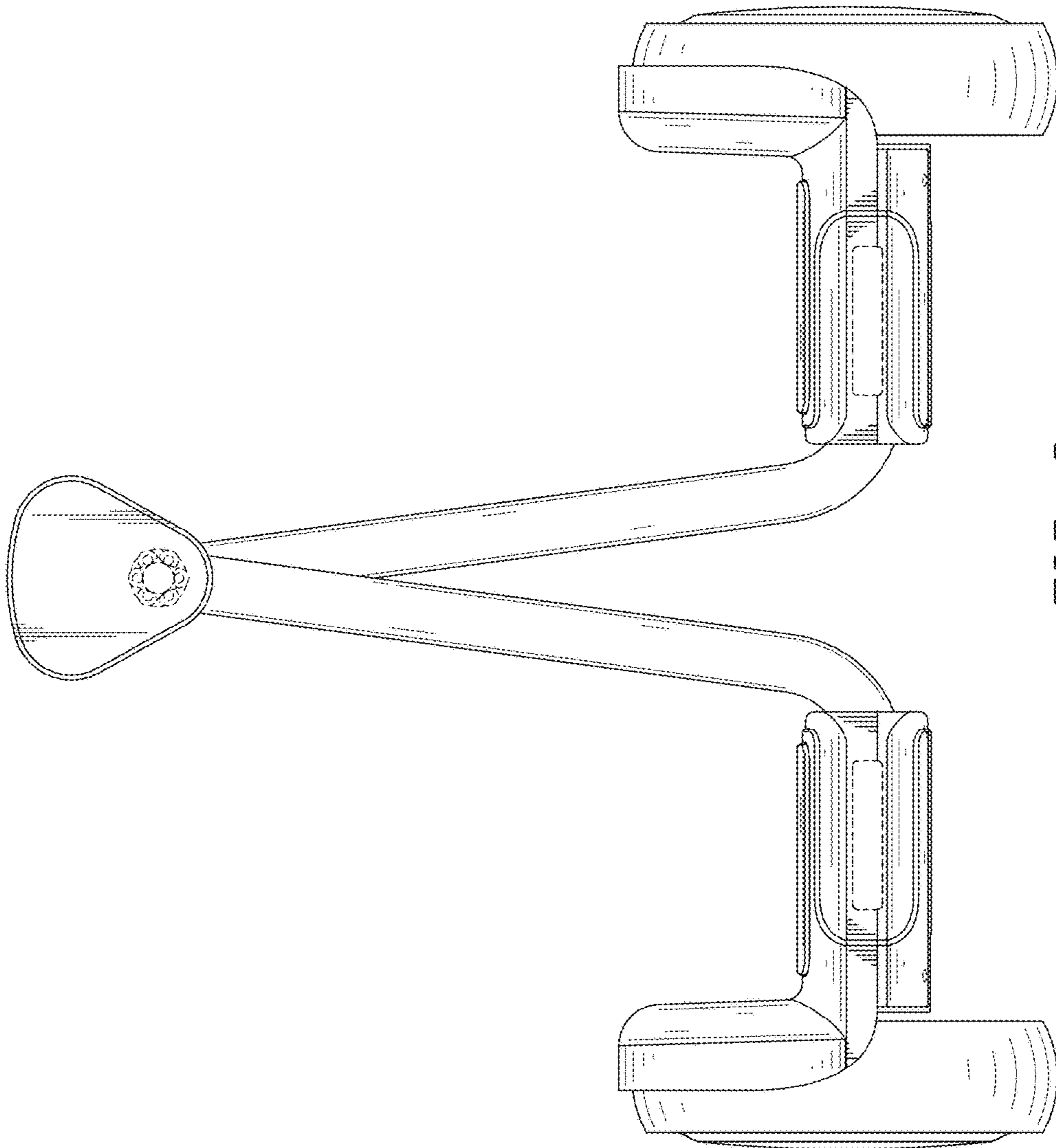


FIG. 3

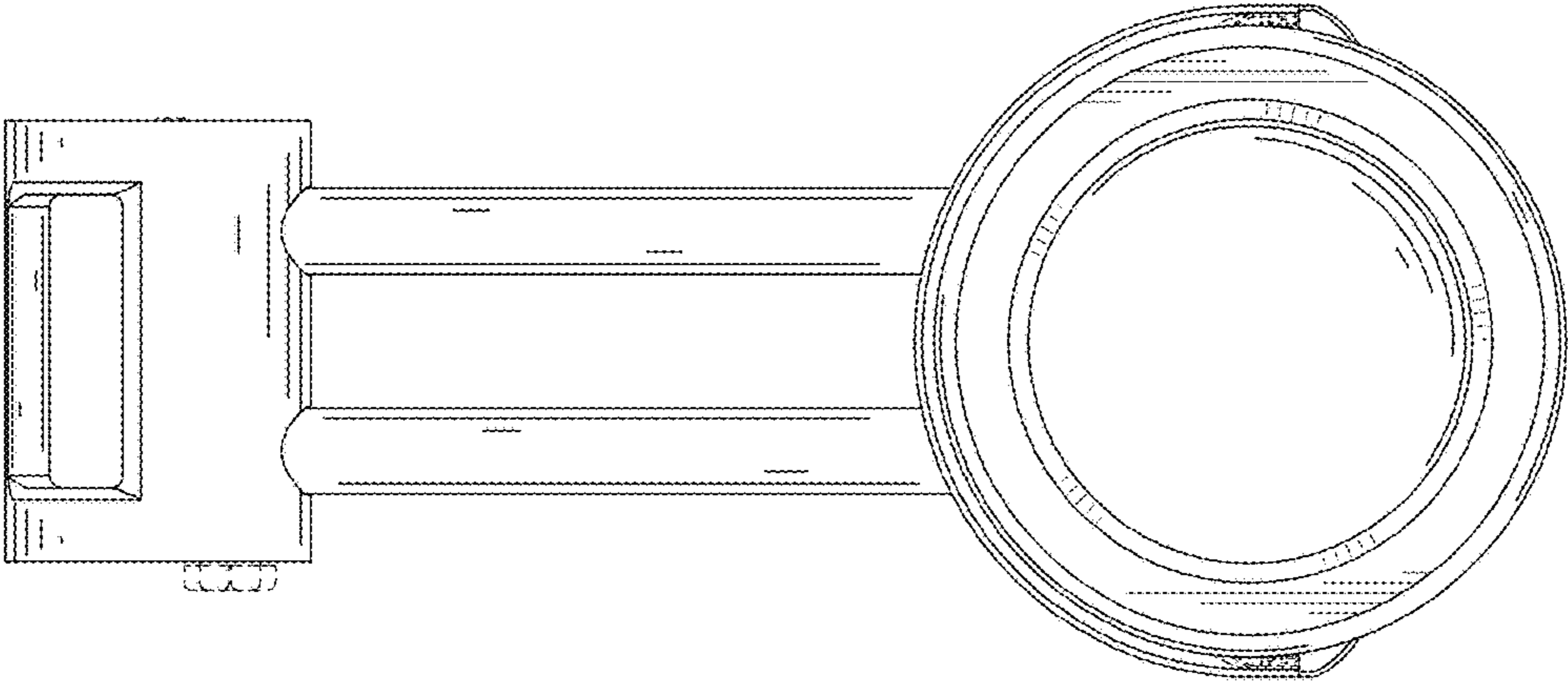


FIG. 4

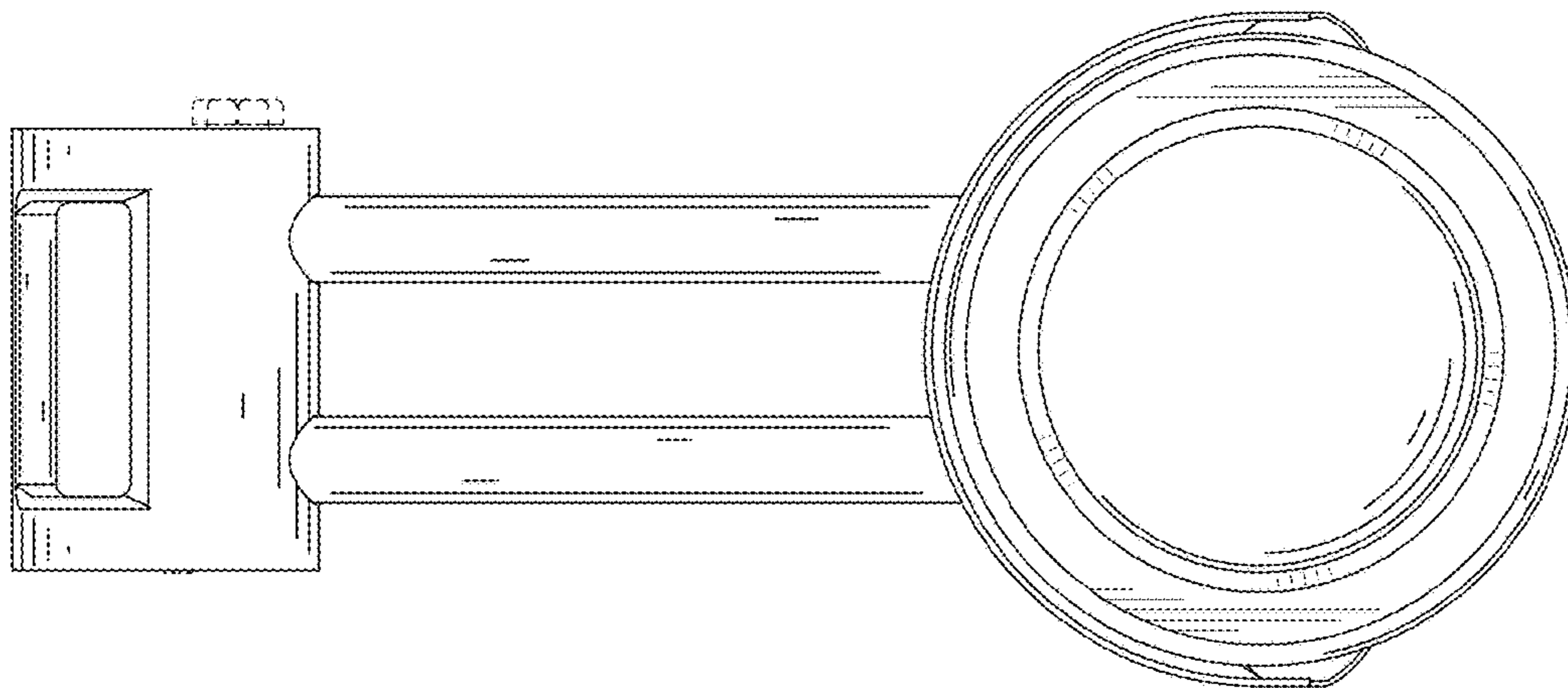


FIG. 5

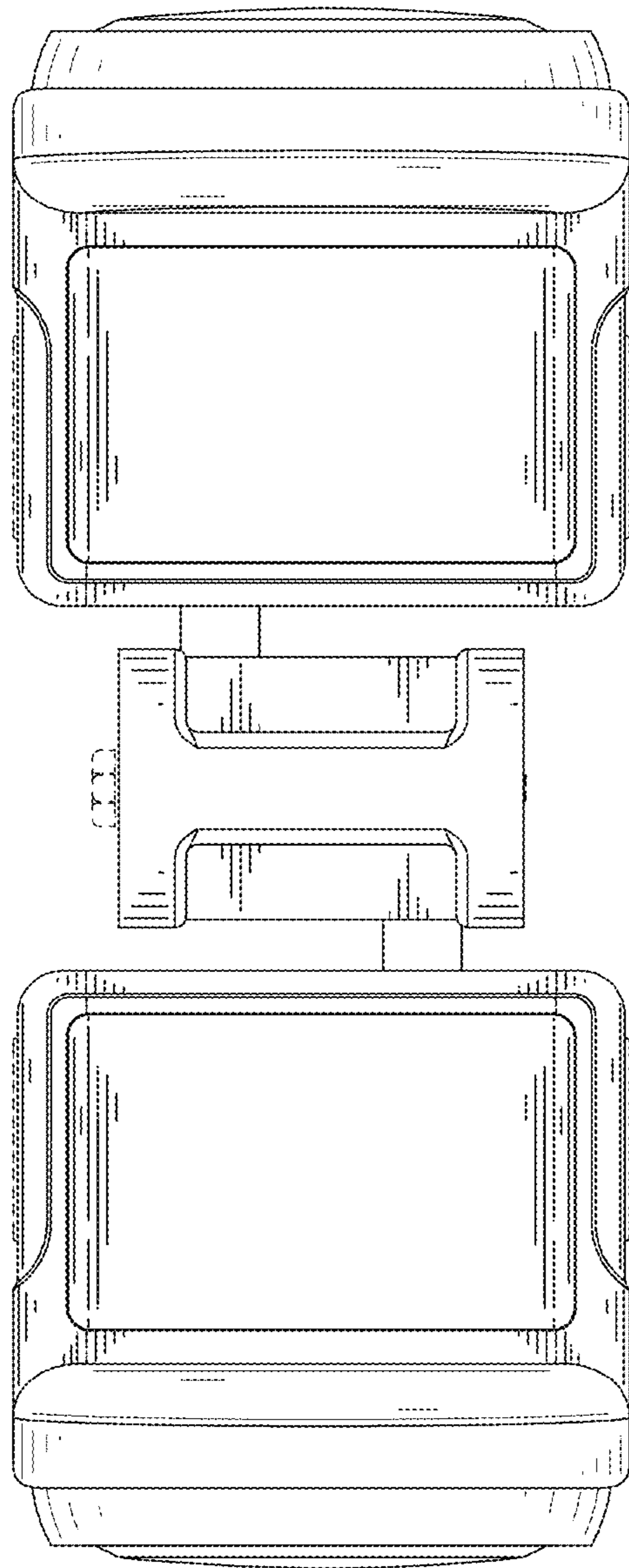


FIG. 6



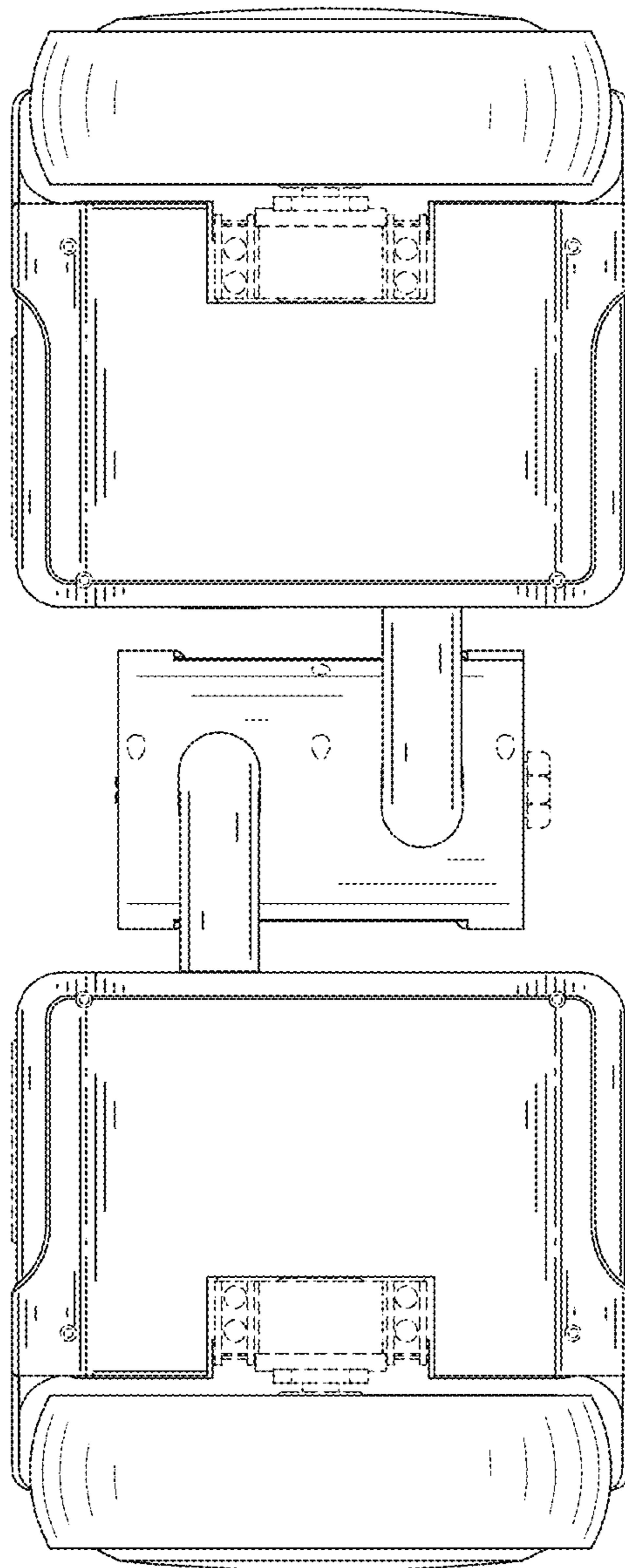


FIG. 7