



US00D829602S

(12) **United States Design Patent**
Hung et al.

(10) **Patent No.:** **US D829,602 S**
(45) **Date of Patent:** **** Oct. 2, 2018**

(54) **PAIR OF ZIPPER PARTS**

Primary Examiner — Ralf Seifert

(71) Applicant: **IDEAL FASTENER (GUANGDONG) INDUSTRIES LTD.**, Zhaoqing, Guangdong (CN)

(57) **CLAIM**

(72) Inventors: **Franklin Chi Yen Hung**, Guangdong (CN); **Guoliang Qiu**, Guangdong (CN); **Wei Qiu**, Guangdong (CN); **Zongjian Lyu**, Guangdong (CN); **Fukang Wu**, Guangdong (CN); **Jianan Zeng**, Guangdong (CN)

The ornamental design for a pair of zipper parts, as shown and described.

DESCRIPTION

(73) Assignee: **IDEAL FASTENER (GUANGDONG) INDUSTRIES LTD.**, Zhaoqing (CN)

FIG. 1 is a front elevational view of one part of a pair of zipper parts showing our new design; FIG. 2 is a left side view of FIG. 1; FIG. 3 is a right side view of FIG. 1; FIG. 4 is a top plan view of FIG. 1; FIG. 5 is a bottom plan view of FIG. 1; FIG. 6 is a first perspective view of FIG. 1; FIG. 7 is a second perspective view of FIG. 1; FIG. 8 is a third perspective view of FIG. 1; FIG. 9 is a front elevational view of the other part of the pair of zipper parts showing our new design; FIG. 10 is a left side view of FIG. 9; FIG. 11 is a right side view of FIG. 9; FIG. 12 is a top plan view of FIG. 9; FIG. 13 is a bottom plan view of FIG. 9; FIG. 14 is a first perspective view of FIG. 9; FIG. 15 is a second perspective view of FIG. 9; FIG. 16 is a third perspective view of FIG. 9; FIG. 17 is a fourth perspective view of FIG. 9; FIG. 18 is a first perspective view showing the pair of zipper parts in a use state; and, FIG. 19 is a second perspective view showing the pair of zipper parts in a use state. The broken lines in FIGS. 18-19 depict environment and are for illustrative purposes only and form no part of the claimed design.

(**) Term: **15 Years**

(21) Appl. No.: **29/616,722**

(22) Filed: **Sep. 8, 2017**

(30) **Foreign Application Priority Data**

May 17, 2017 (CN) 2017 3 0181523

(51) **LOC (11) Cl.** **02-07**

(52) **U.S. Cl.**
USPC **D11/221**

(58) **Field of Classification Search**
USPC D11/200, 201, 221; 24/381-383, 24/385-389, 414-417, 421-422, 427-431, 24/433, 434; 2/265; D2/641, 642; 294/3.6; 223/118; D8/33, 34, 40
CPC A44B 19/00; A44B 19/02; A44B 19/04; A44B 19/10; A44B 19/26; A44B 19/30; A44B 19/06; A44B 19/34; A44B 19/40; A44B 19/52; A44B 19/38; G02C 3/003; A44H 37/06

See application file for complete search history.

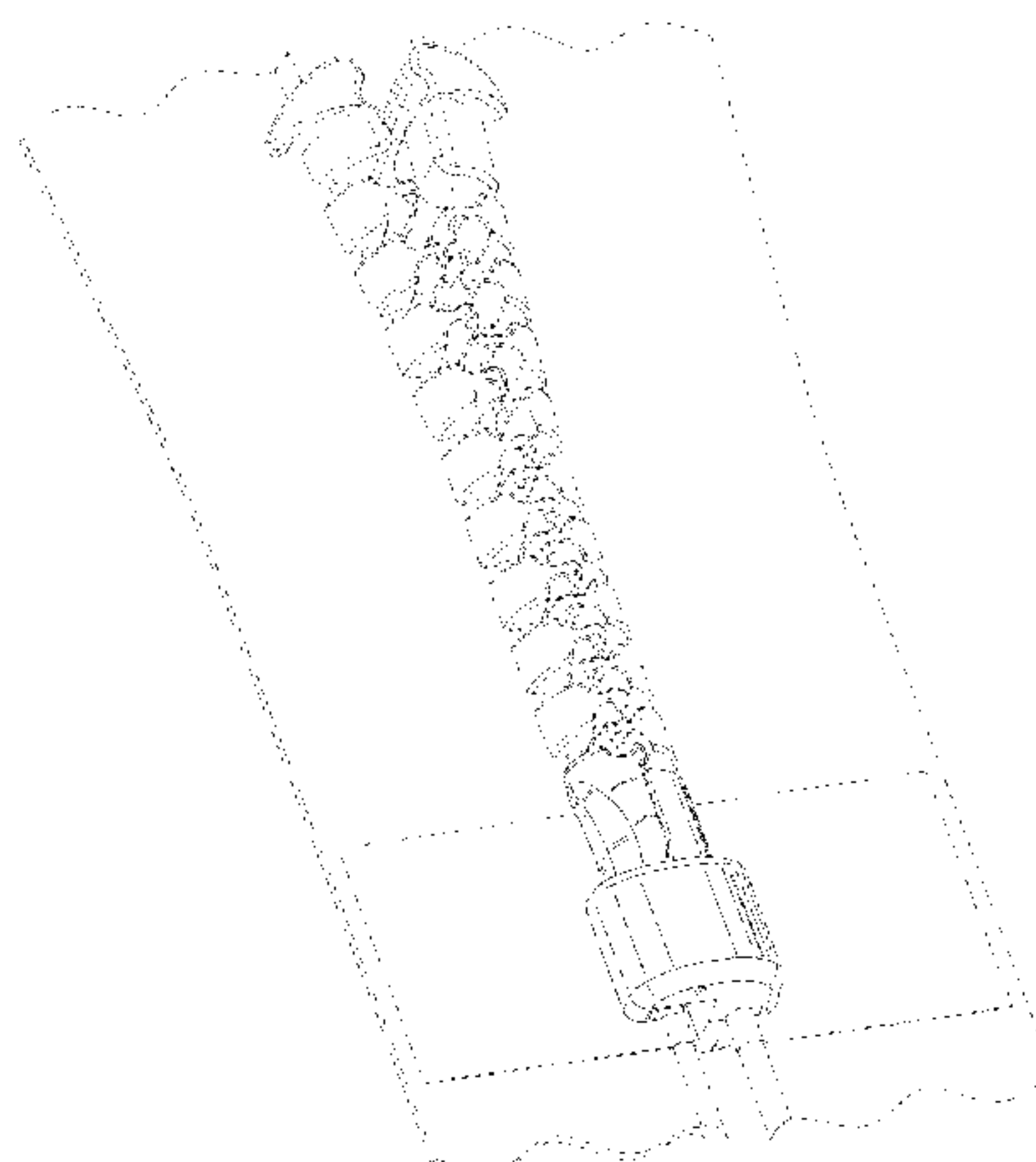
(56) **References Cited**

U.S. PATENT DOCUMENTS

4,539,733 A * 9/1985 Yoshida A44B 19/346
24/394
4,976,016 A * 12/1990 Takabatake A44B 19/38
24/433

(Continued)

1 Claim, 19 Drawing Sheets



(56)

References Cited

U.S. PATENT DOCUMENTS

5,007,145 A * 4/1991 Kim A44B 19/38
24/388
7,036,191 B2 * 5/2006 Tsaur A44B 19/388
24/433
D528,040 S * 9/2006 Cheng D11/221
D648,246 S * 11/2011 Hasegawa D11/221
8,910,352 B2 * 12/2014 Nozaki A44B 19/38
24/415
D727,205 S * 4/2015 Howell D11/221
D779,374 S * 2/2017 Hamada D11/221
D780,624 S * 3/2017 Hamada D11/221
9,770,075 B2 * 9/2017 Sato A44B 19/38

* cited by examiner

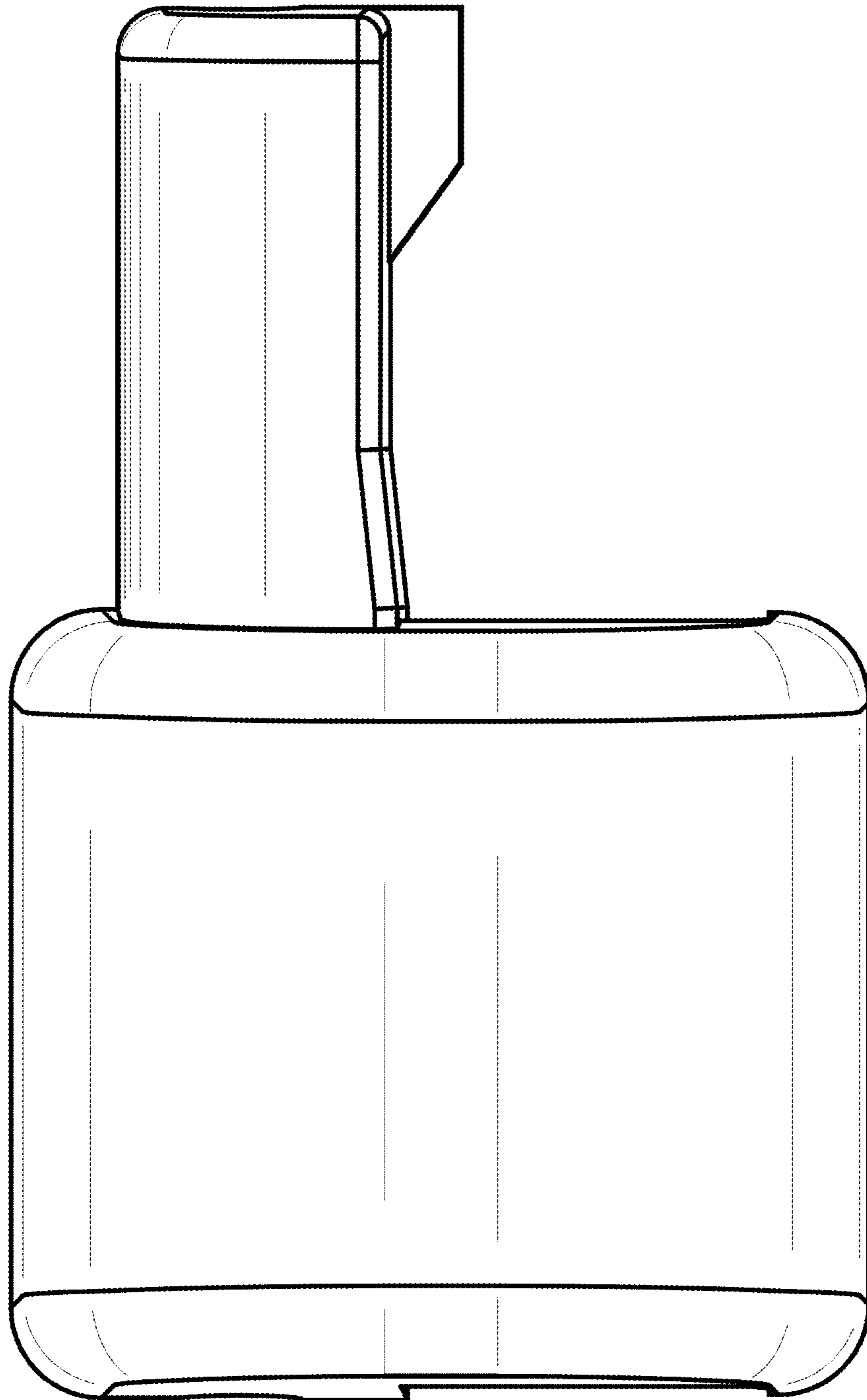


Fig. 1

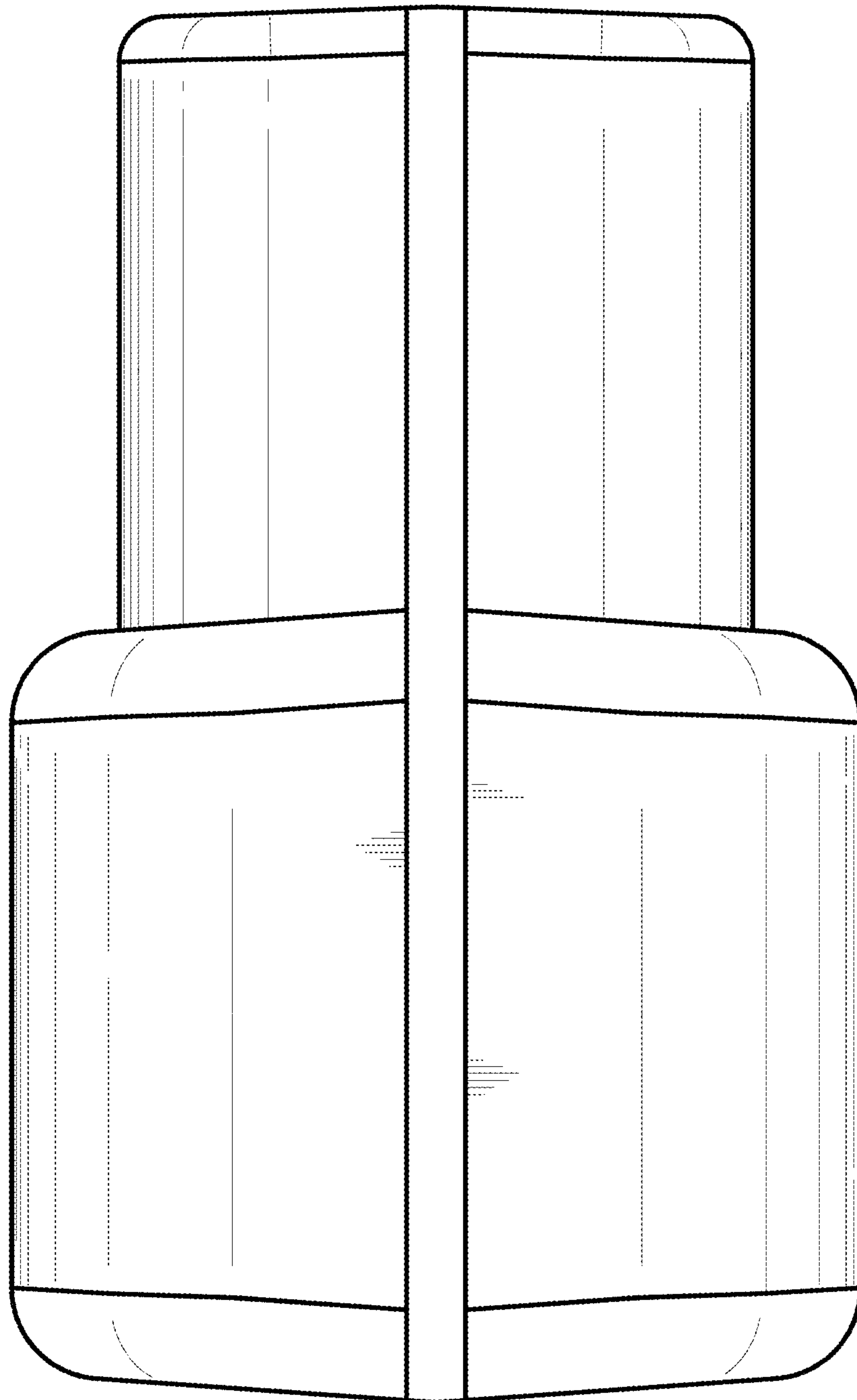


Fig. 2

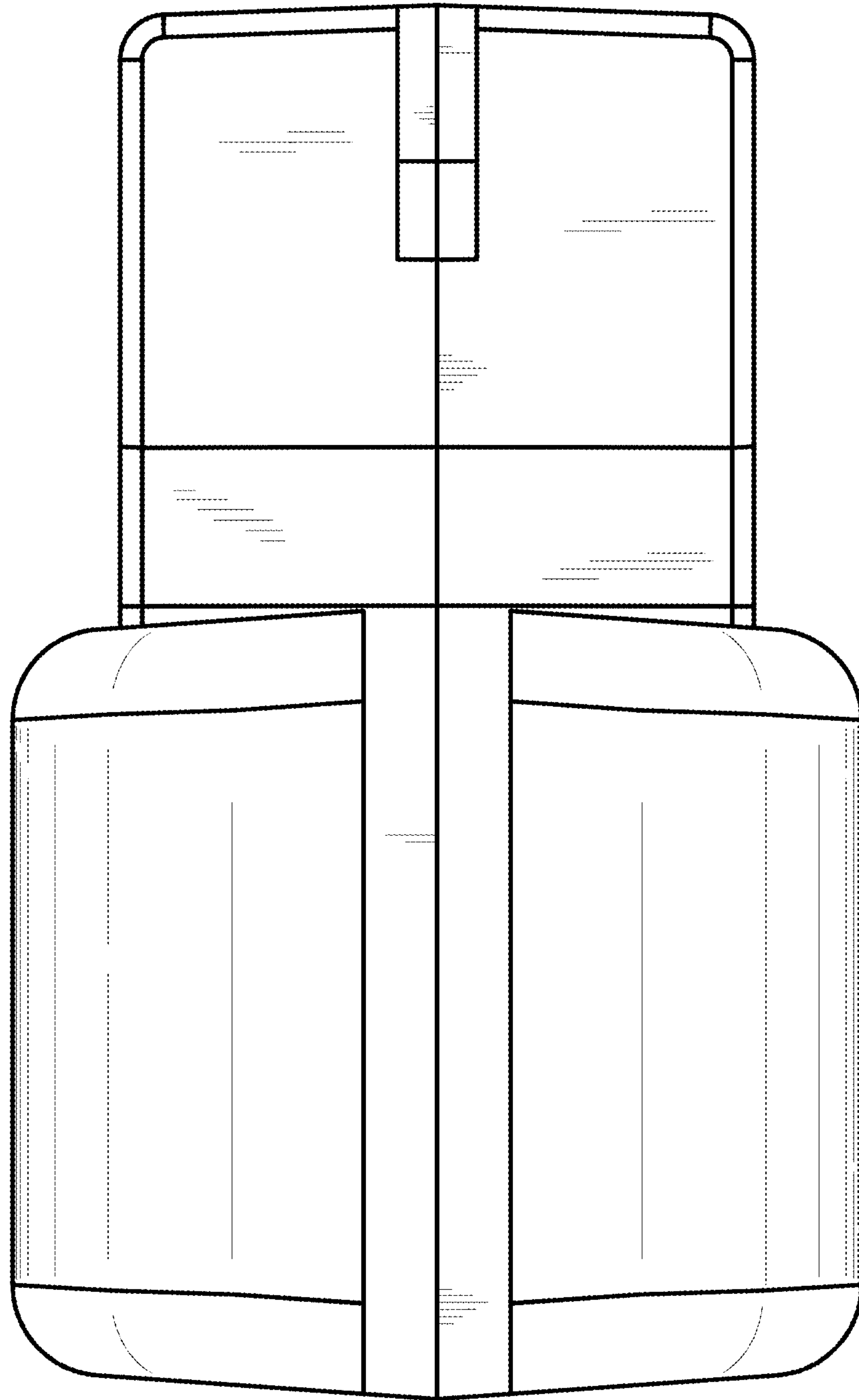


Fig. 3

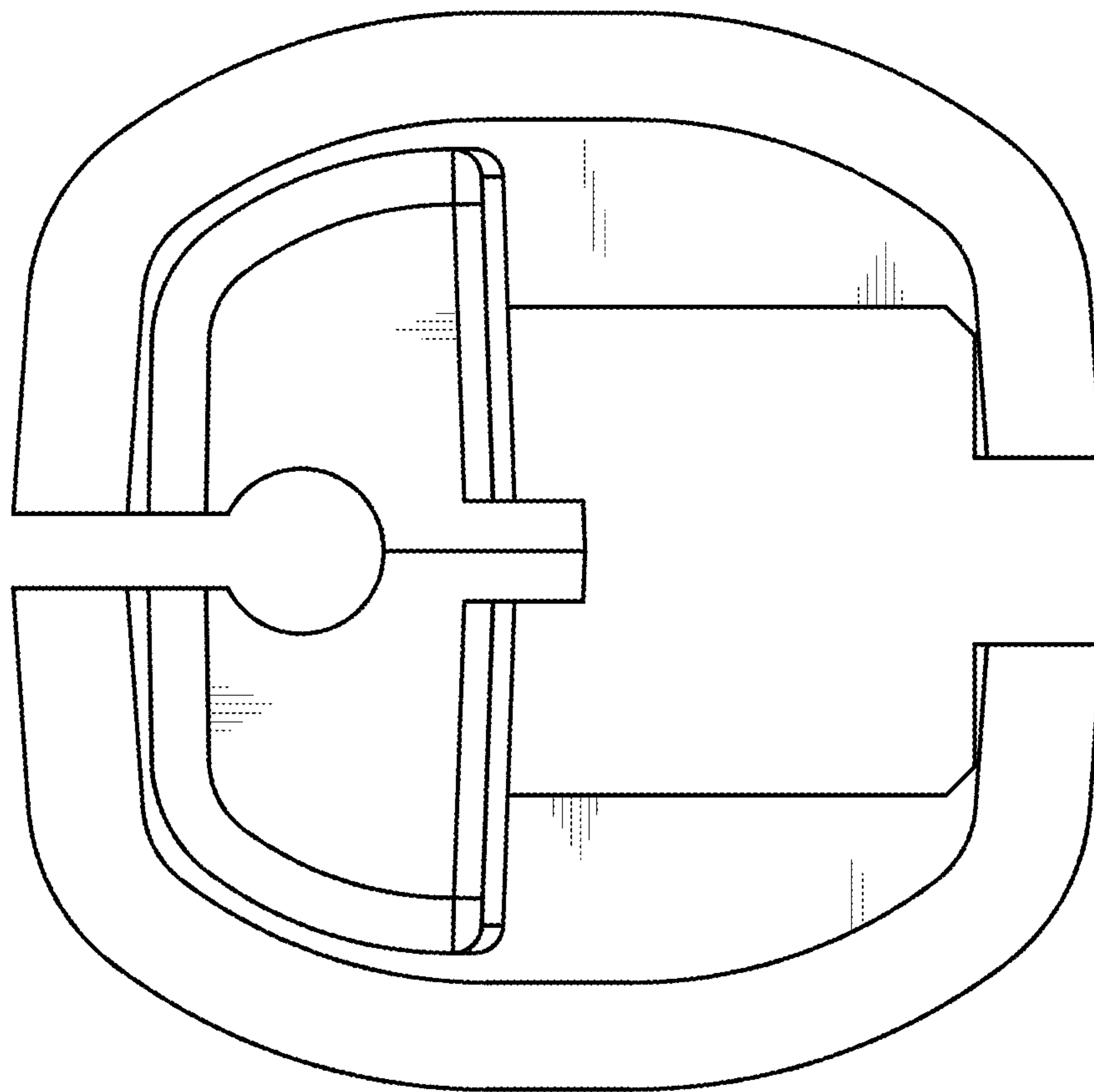


Fig. 4

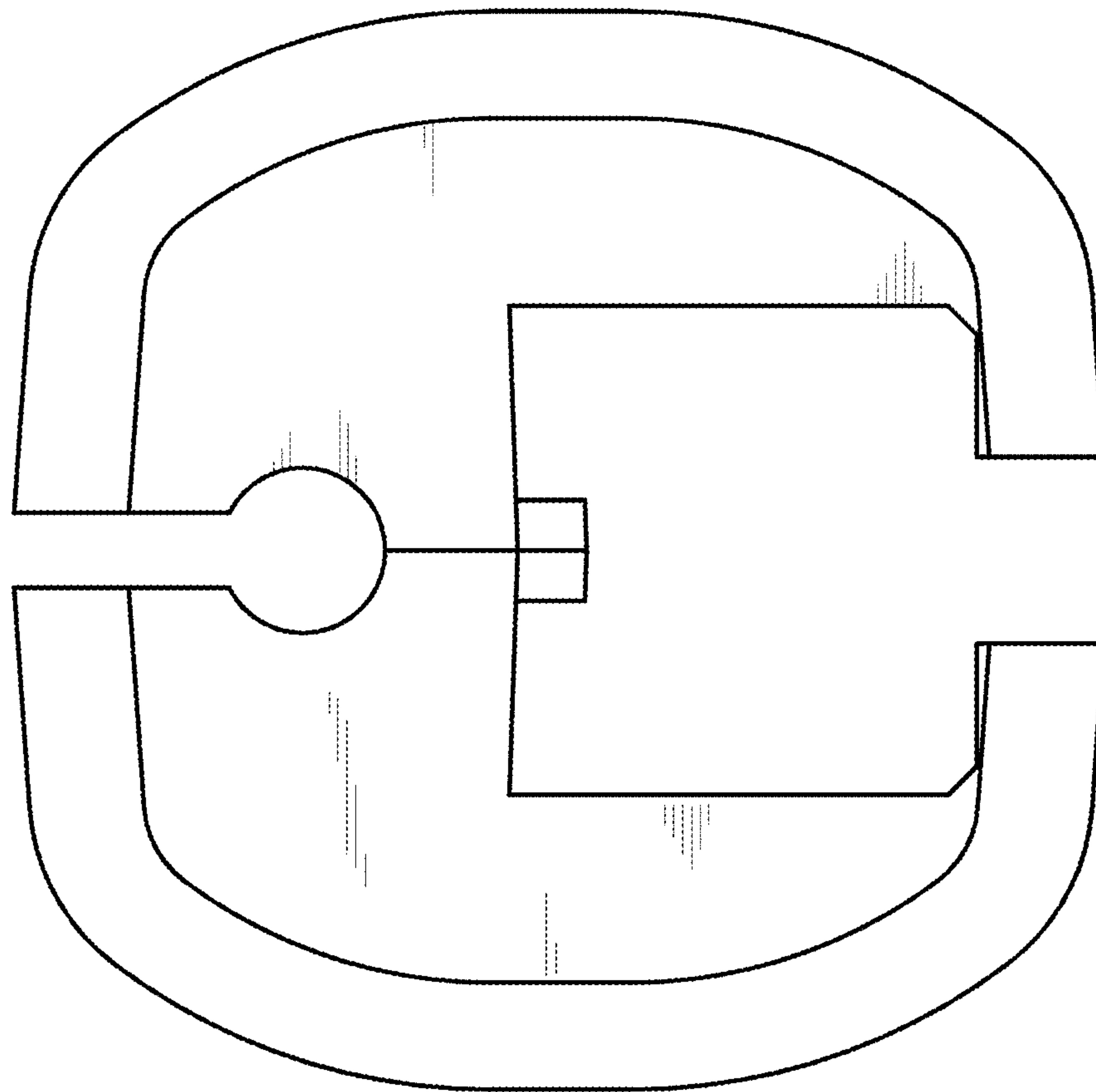


Fig. 5

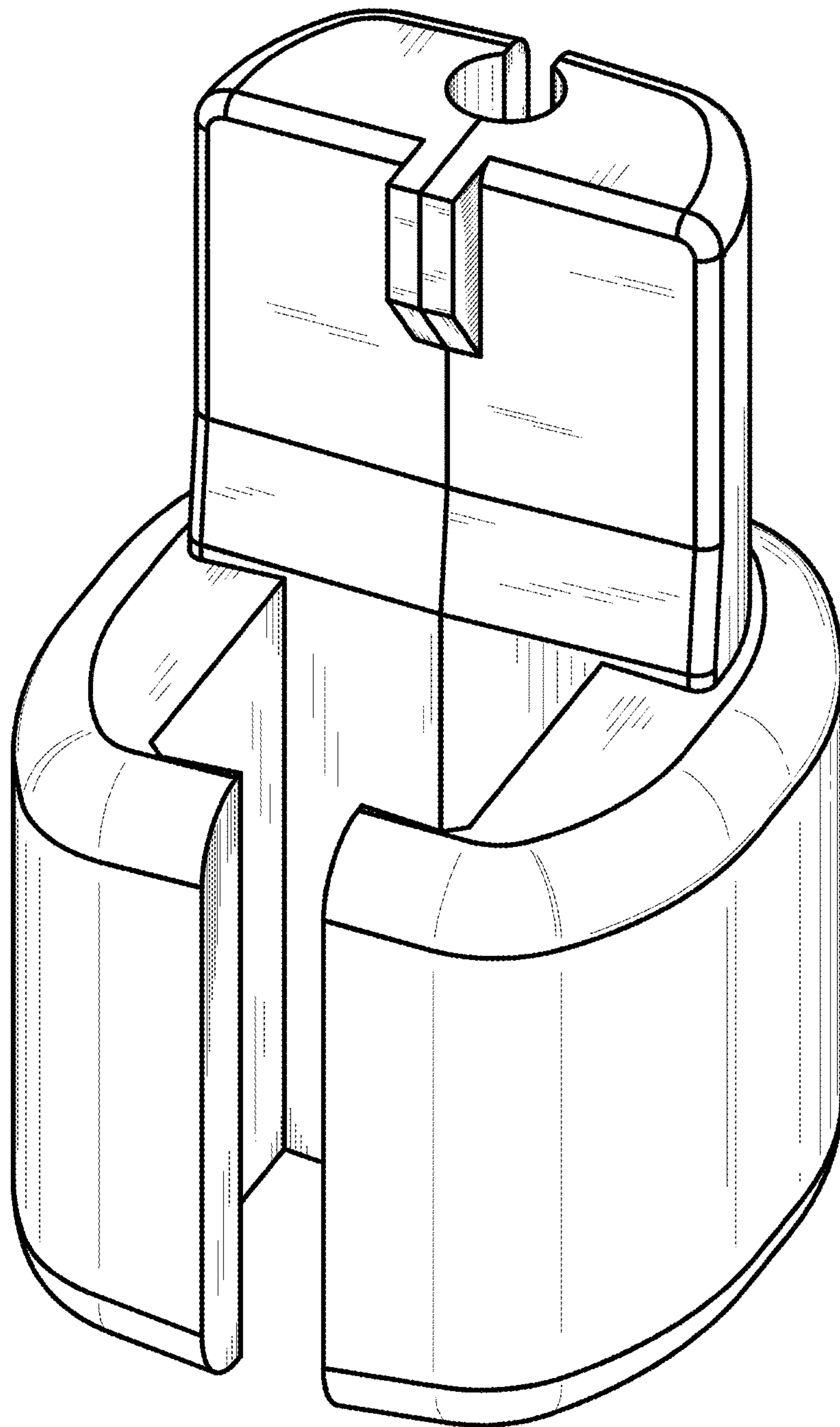


Fig. 6

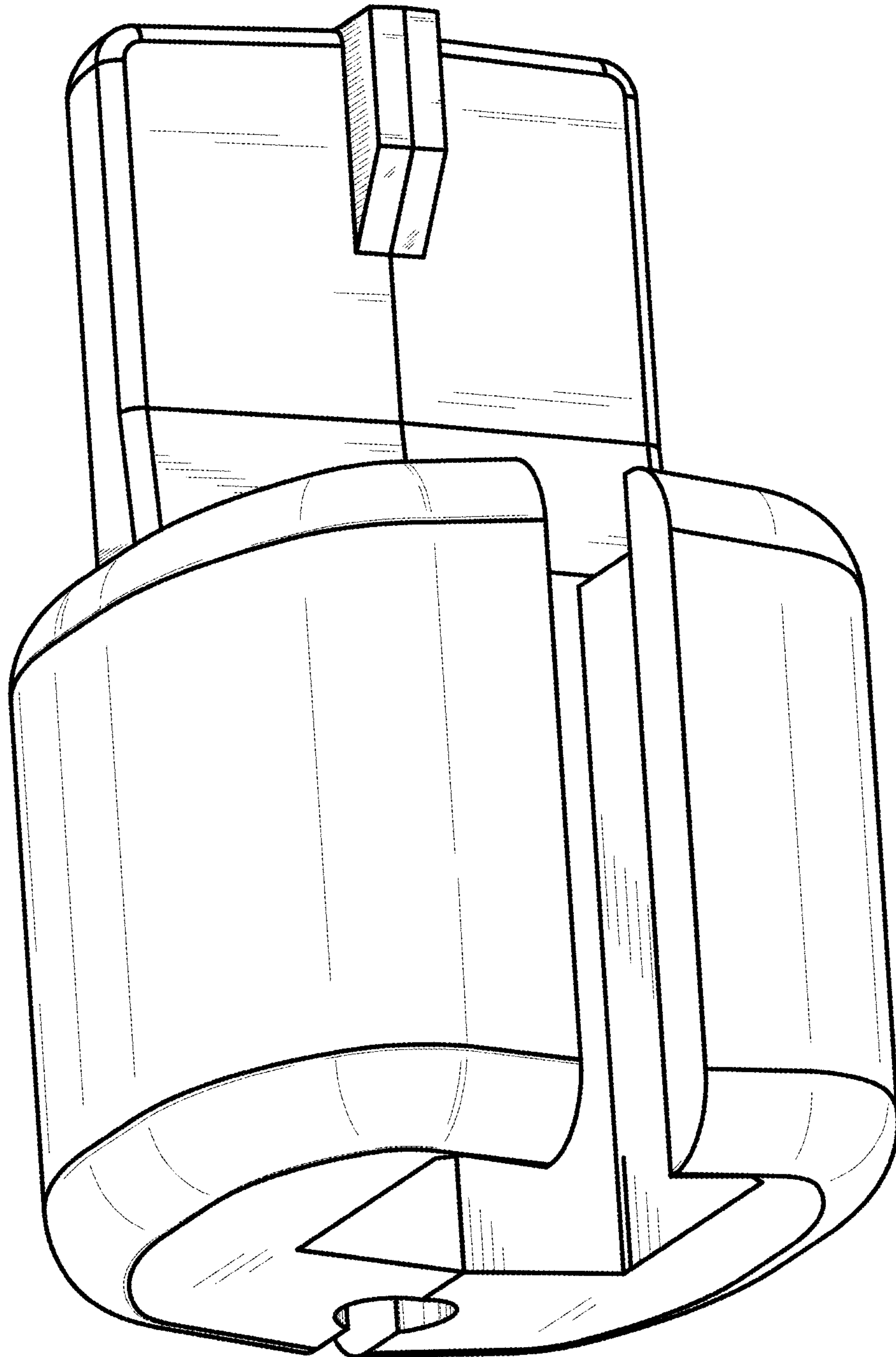


Fig. 7

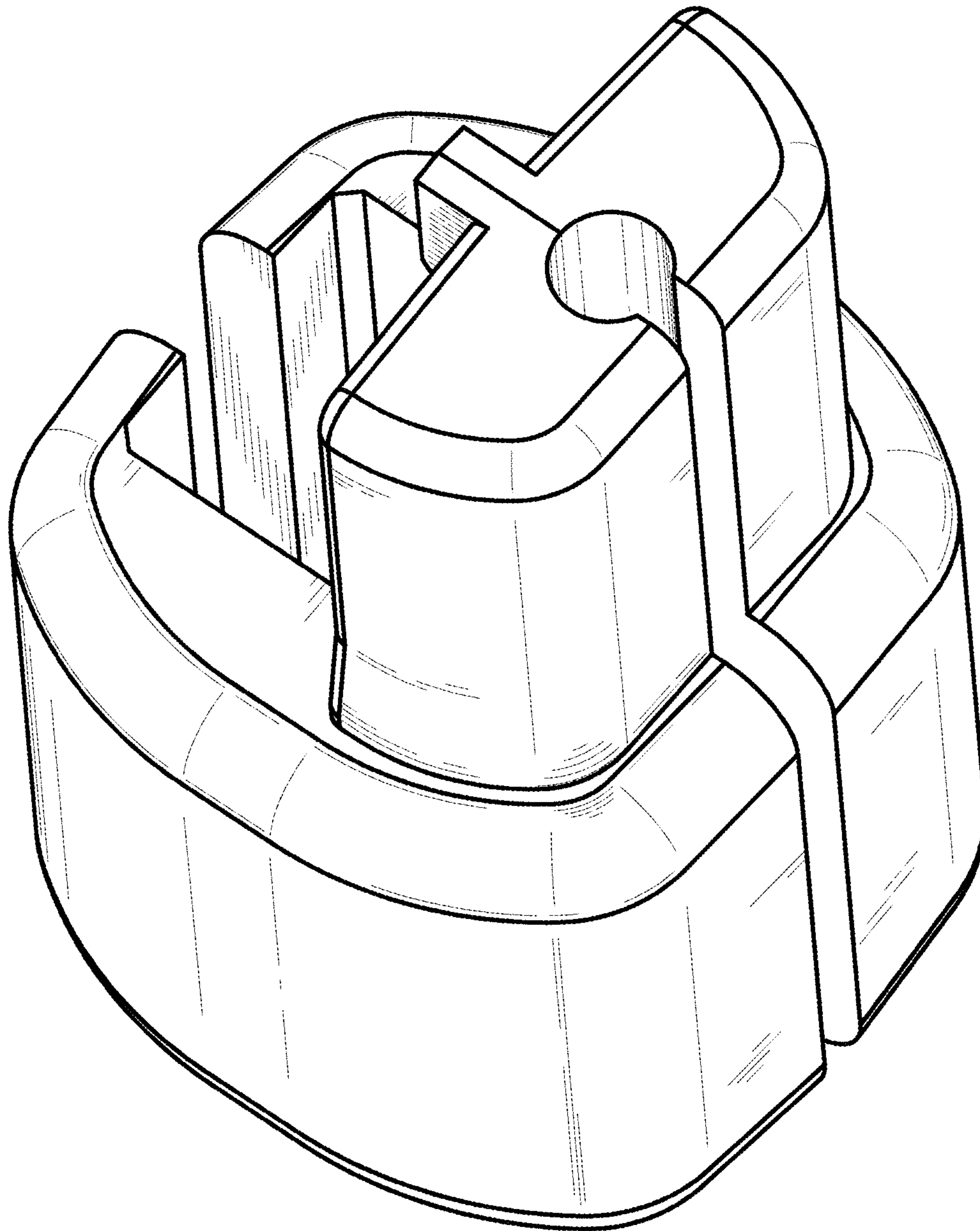


Fig. 8

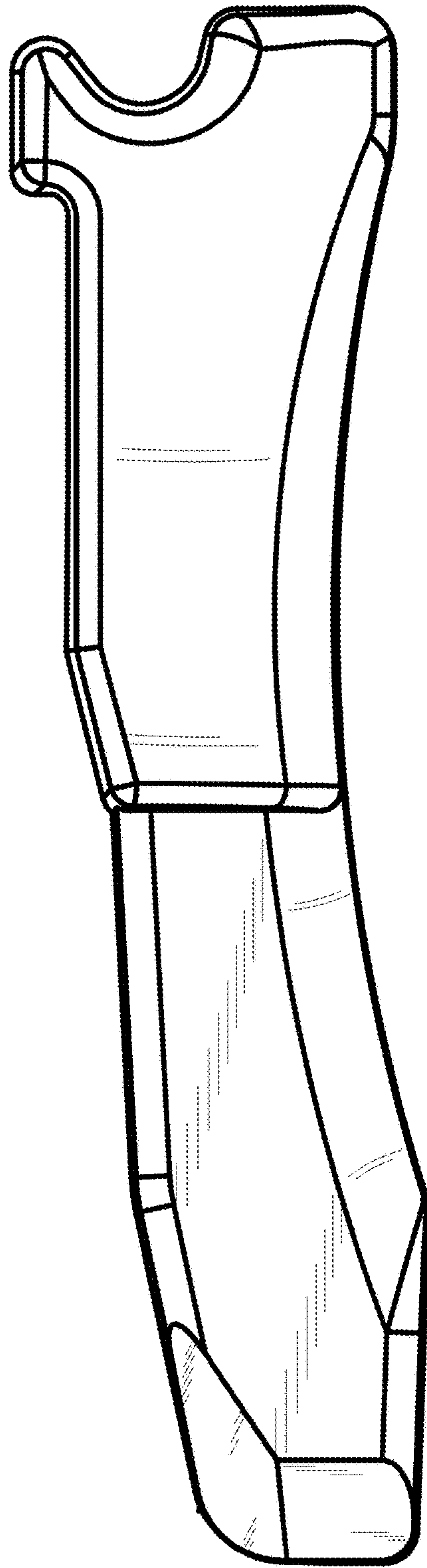


Fig. 9

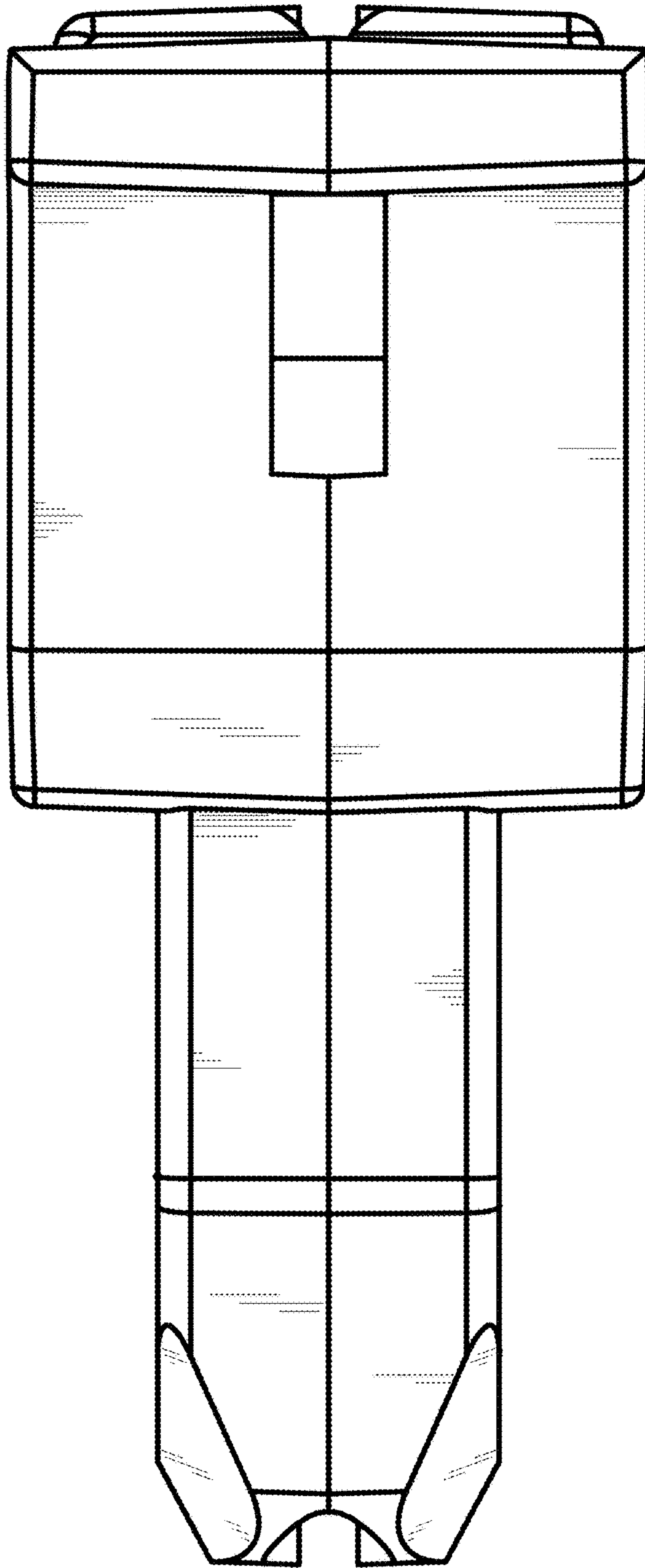


Fig. 10

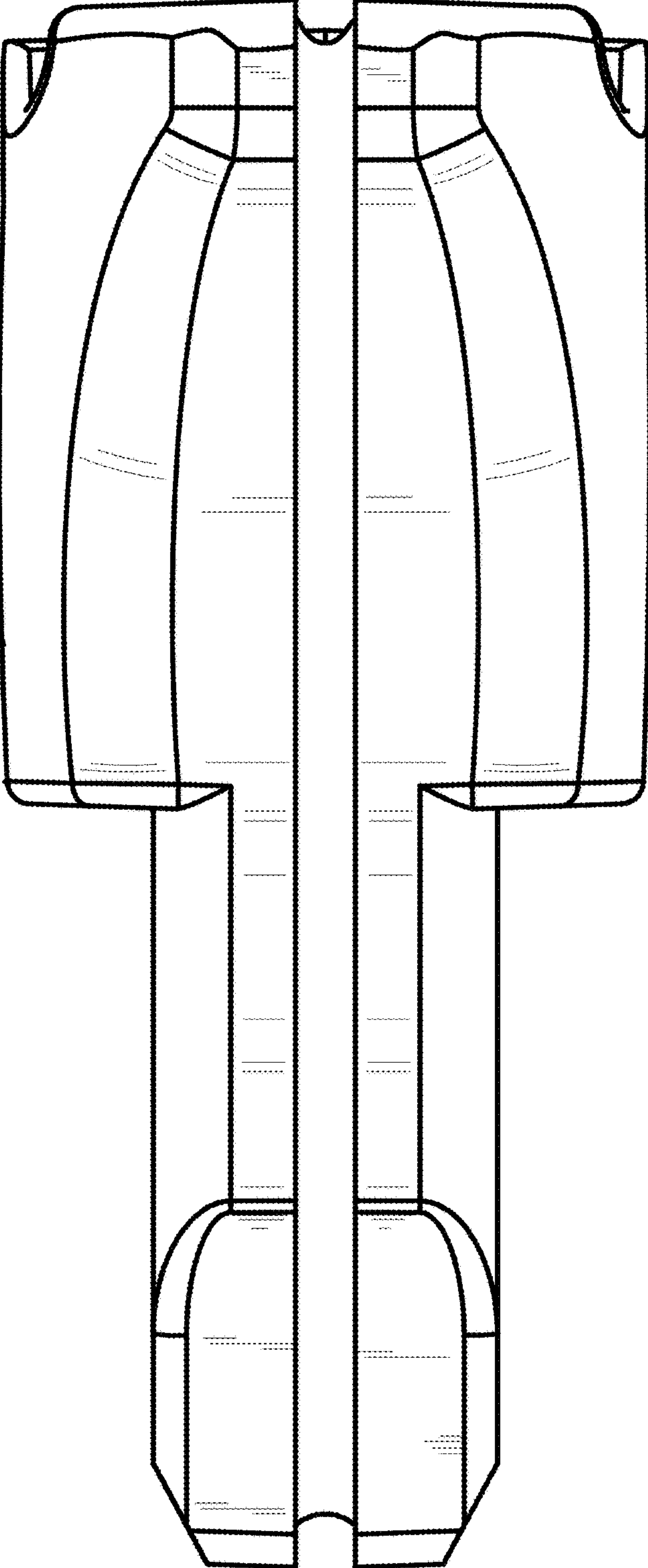


Fig. 11

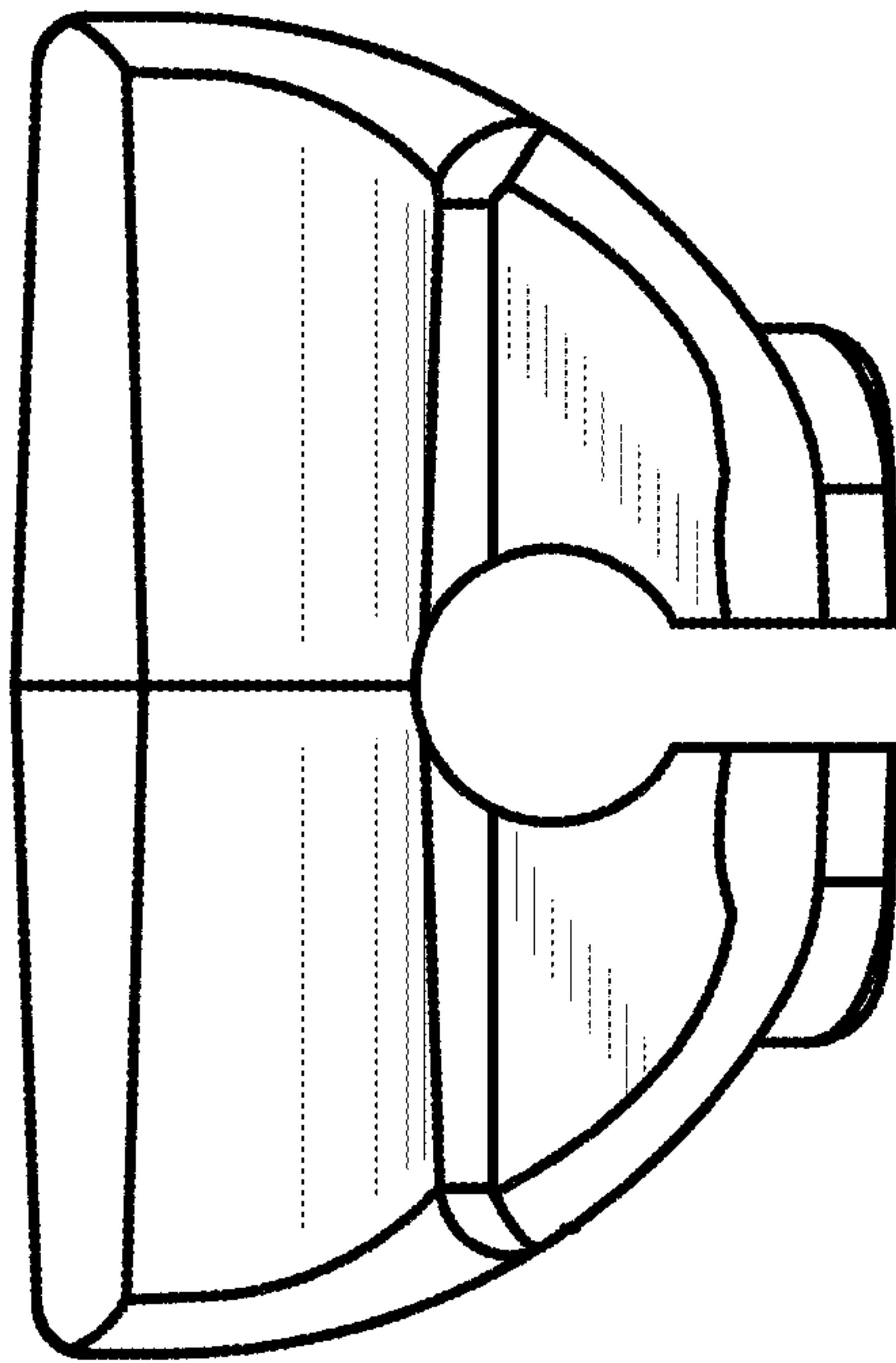


Fig. 12

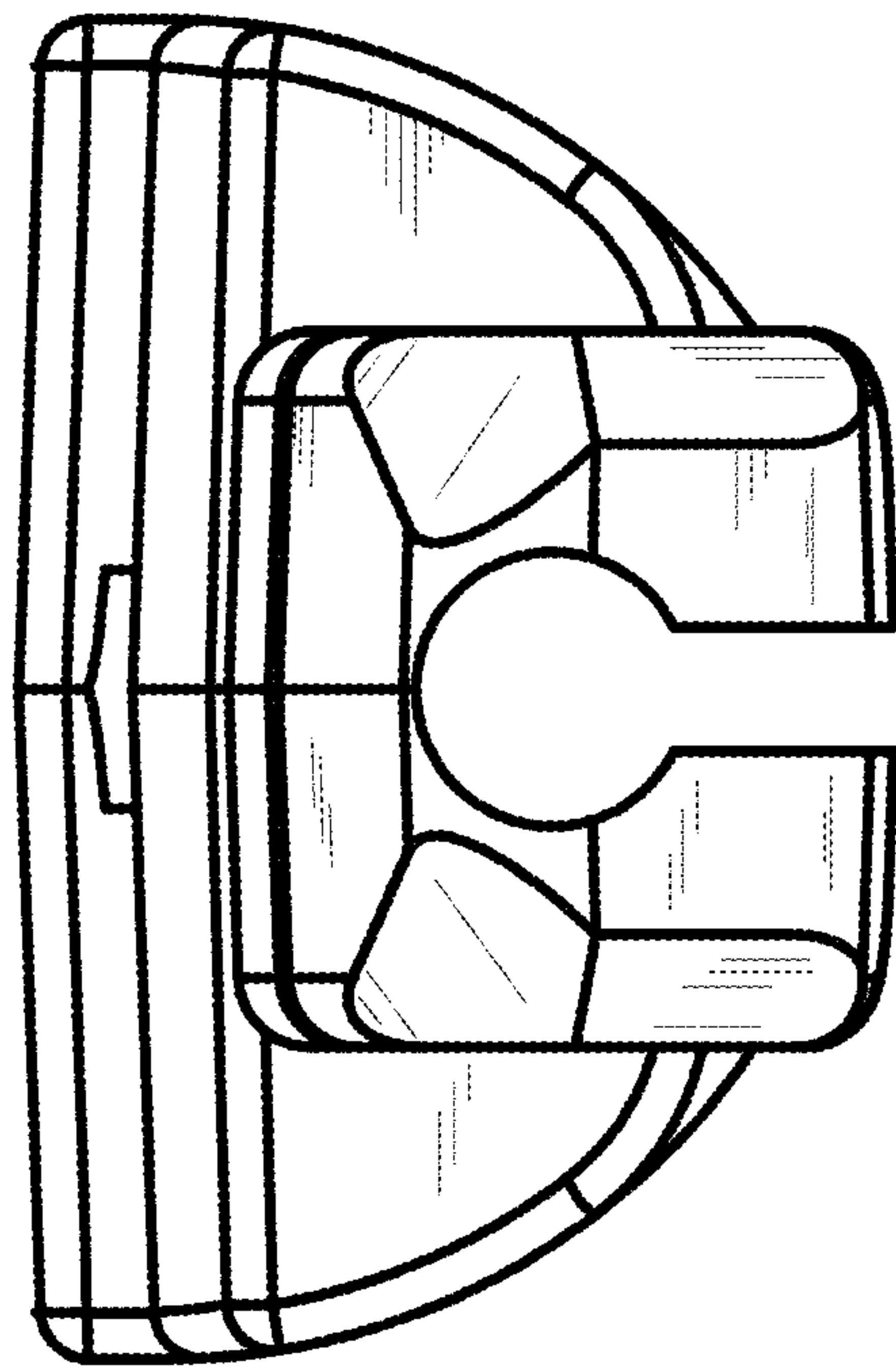


Fig. 13

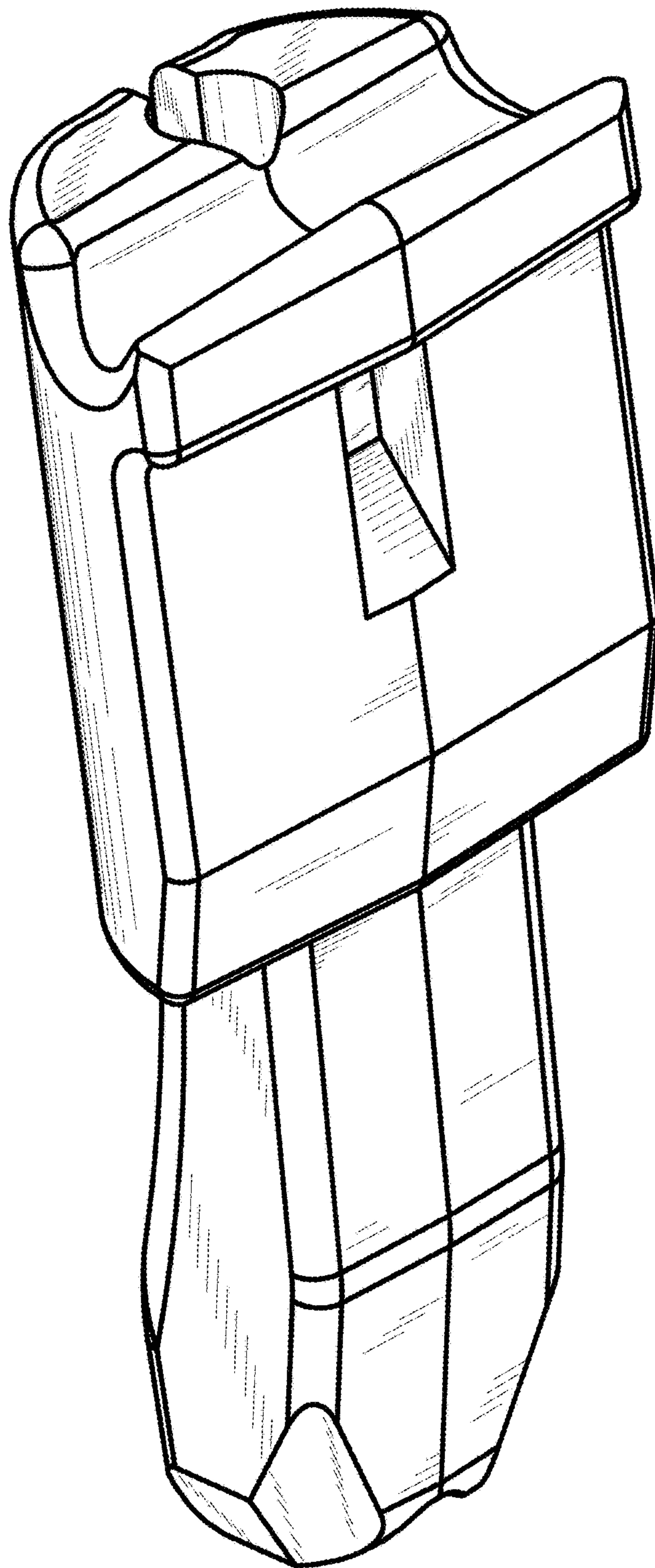


Fig. 14

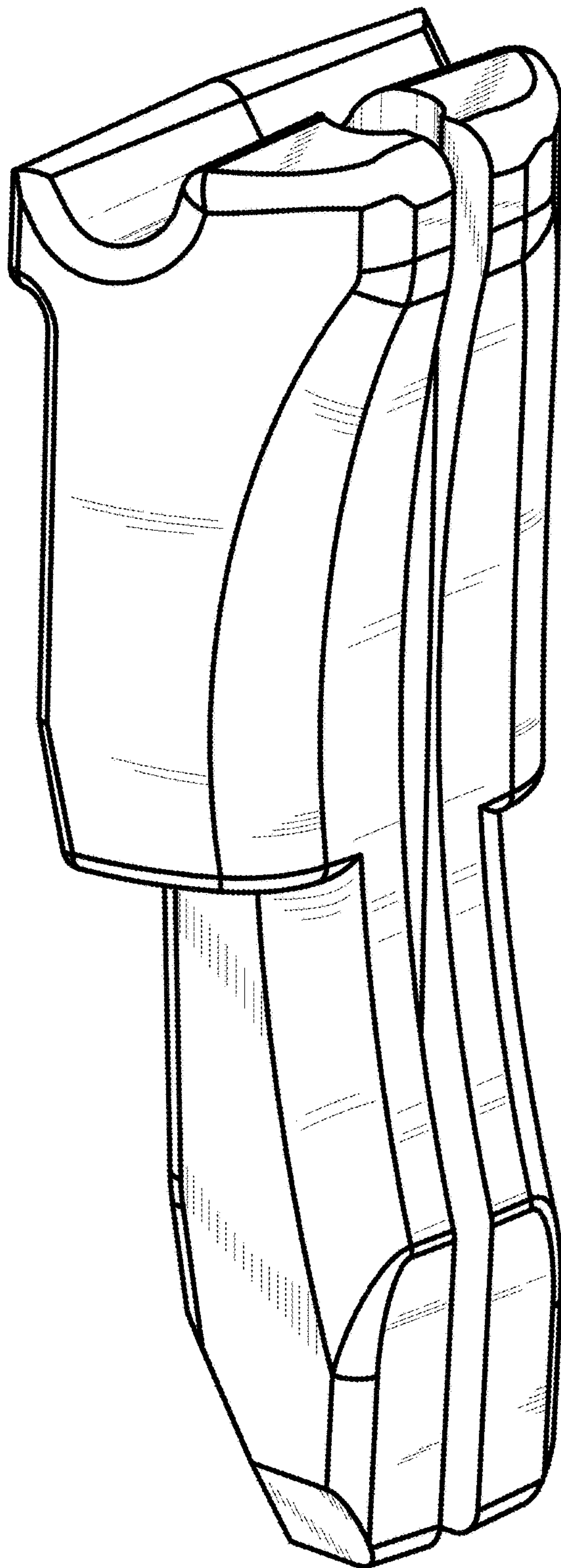


Fig. 15

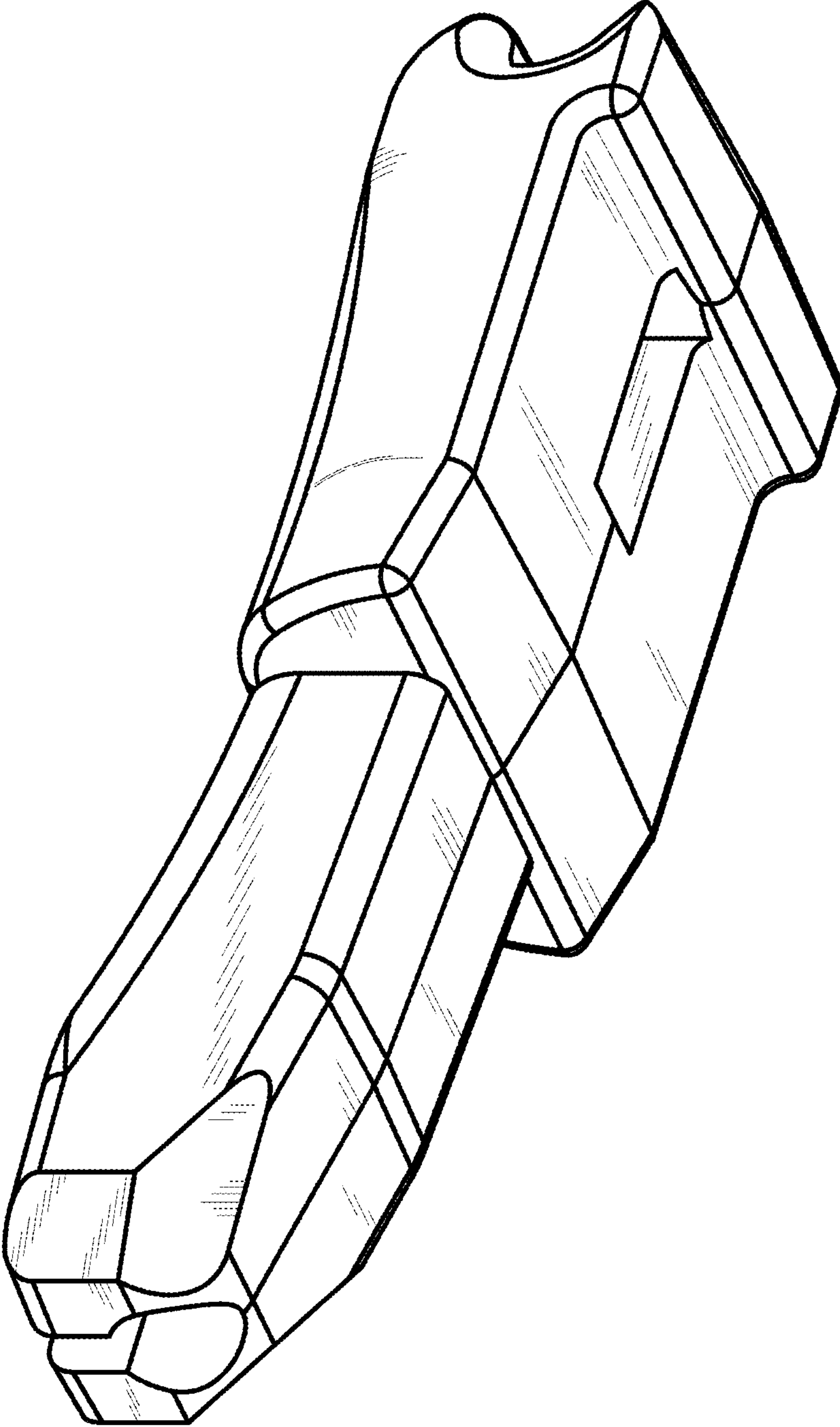


Fig. 16

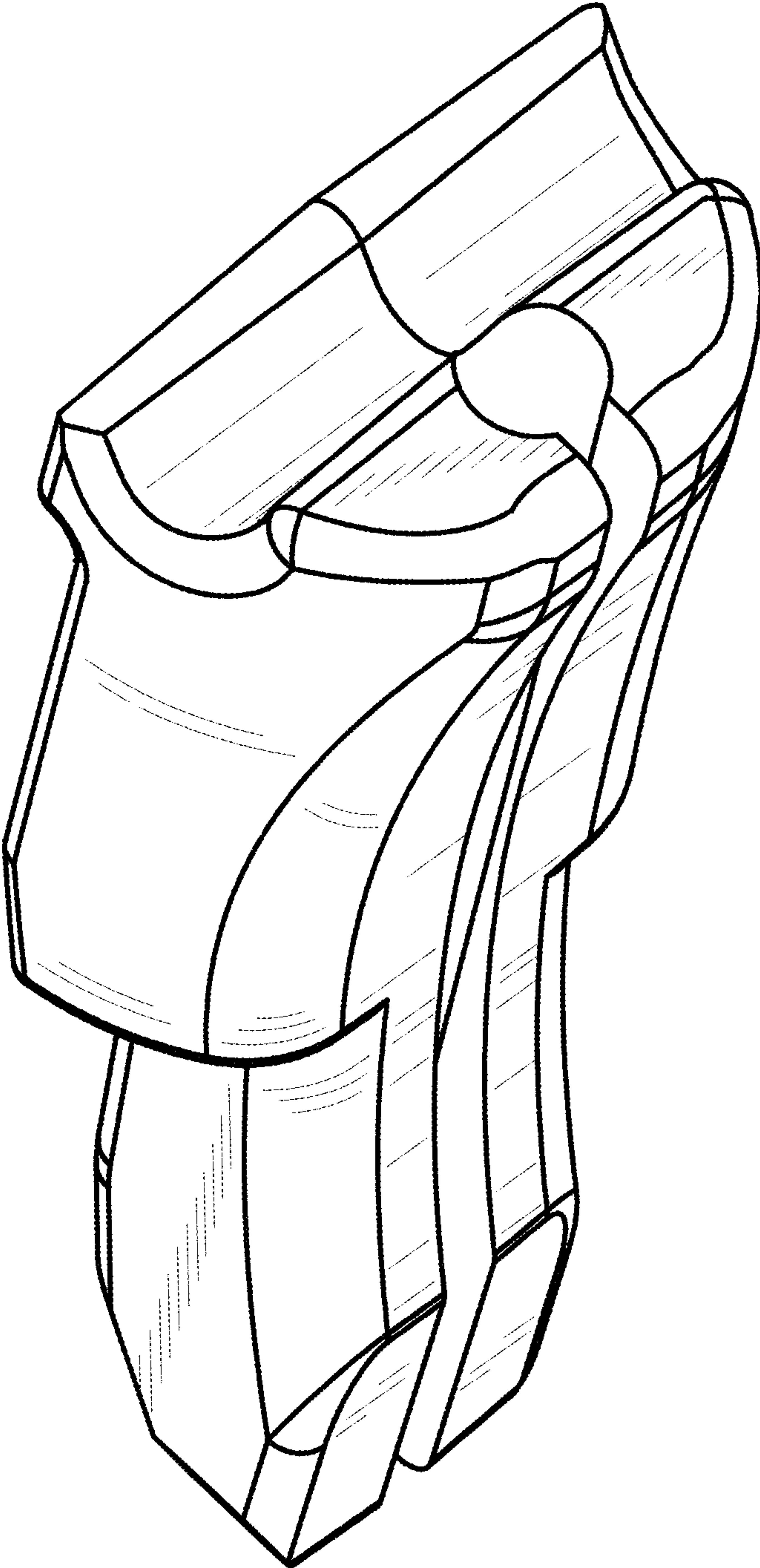


Fig. 17

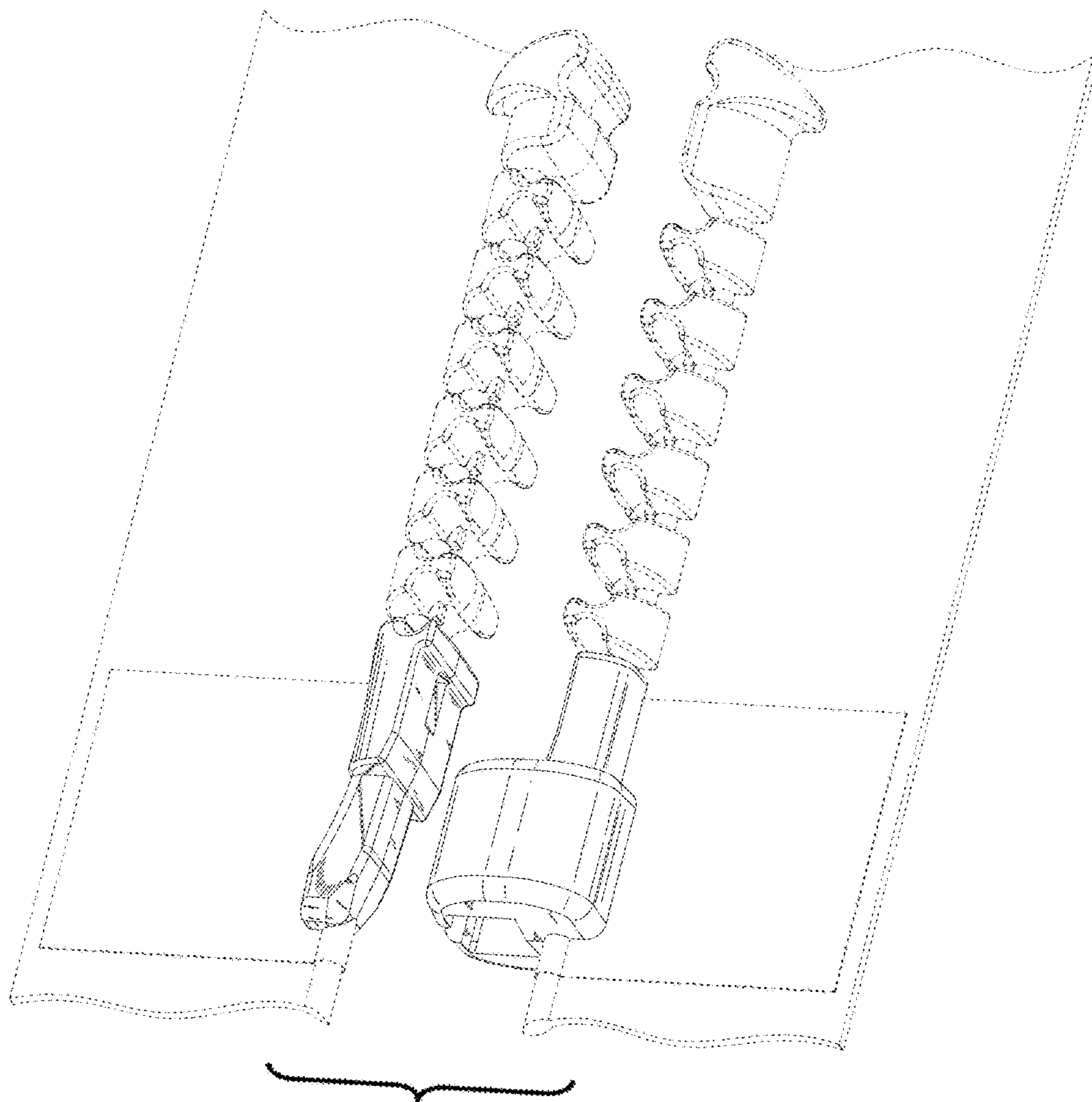


Fig. 18

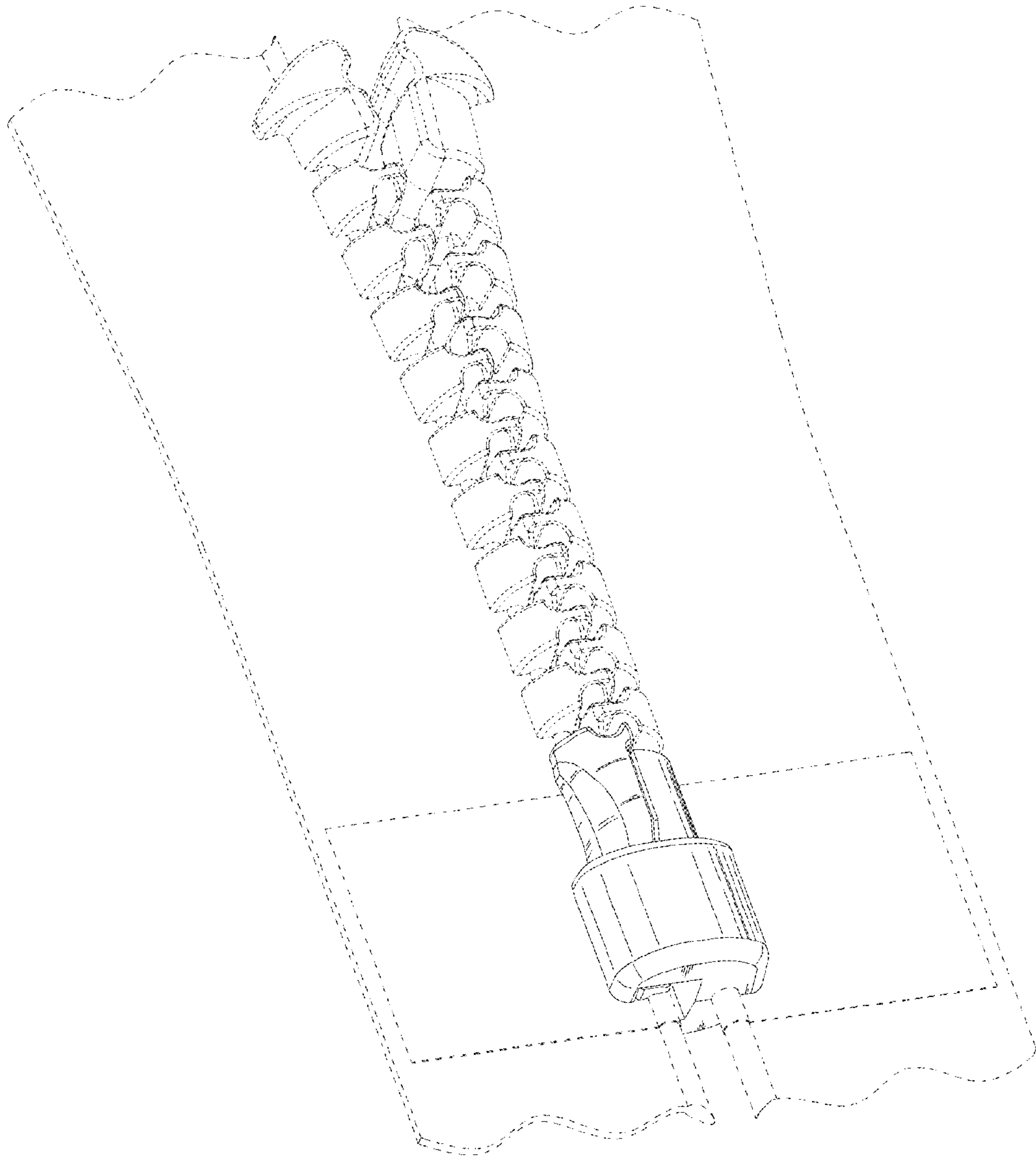


Fig. 19