



US00D829601S

(12) **United States Design Patent** (10) **Patent No.:** **US D829,601 S**
Hung et al. (45) **Date of Patent:** **** Oct. 2, 2018**

(54) **PAIR OF ZIPPER PARTS**

A44B 19/52; A44B 19/38; G02C 3/003;
A44H 37/06

(71) Applicant: **IDEAL FASTENER (GUANGDONG) INDUSTRIES LTD.**, Zhaoqing, Guangdong (CN)

See application file for complete search history.

(72) Inventors: **Franklin Chi Yen Hung**, Guangdong (CN); **Guoliang Qiu**, Guangdong (CN); **Wei Qiu**, Guangdong (CN); **Zongjian Lyu**, Guangdong (CN); **Fukang Wu**, Guangdong (CN); **Jianan Zeng**, Guangdong (CN)

(56) **References Cited**

U.S. PATENT DOCUMENTS

2,660,774 A * 12/1953 Heimann A44B 19/04
24/412
2,701,401 A * 2/1955 Dorman A44B 19/36
24/404
D252,896 S * 9/1979 Jovin 24/410
D528,040 S * 9/2006 Cheng D11/221

(Continued)

Primary Examiner — Ralf Seifert

(73) Assignee: **IDEAL FASTENER (GUANGDONG) INDUSTRIES LTD.**, Zhaoqing (CN)

(57) **CLAIM**

The ornamental design for a pair of zipper parts, as shown and described.

(**) Term: **15 Years**

DESCRIPTION

(21) Appl. No.: **29/616,719**

(22) Filed: **Sep. 8, 2017**

(30) **Foreign Application Priority Data**

May 17, 2017 (CN) 2017 3 0181523

(51) **LOC (11) Cl.** **02-07**

(52) **U.S. Cl.**
USPC **D11/221**

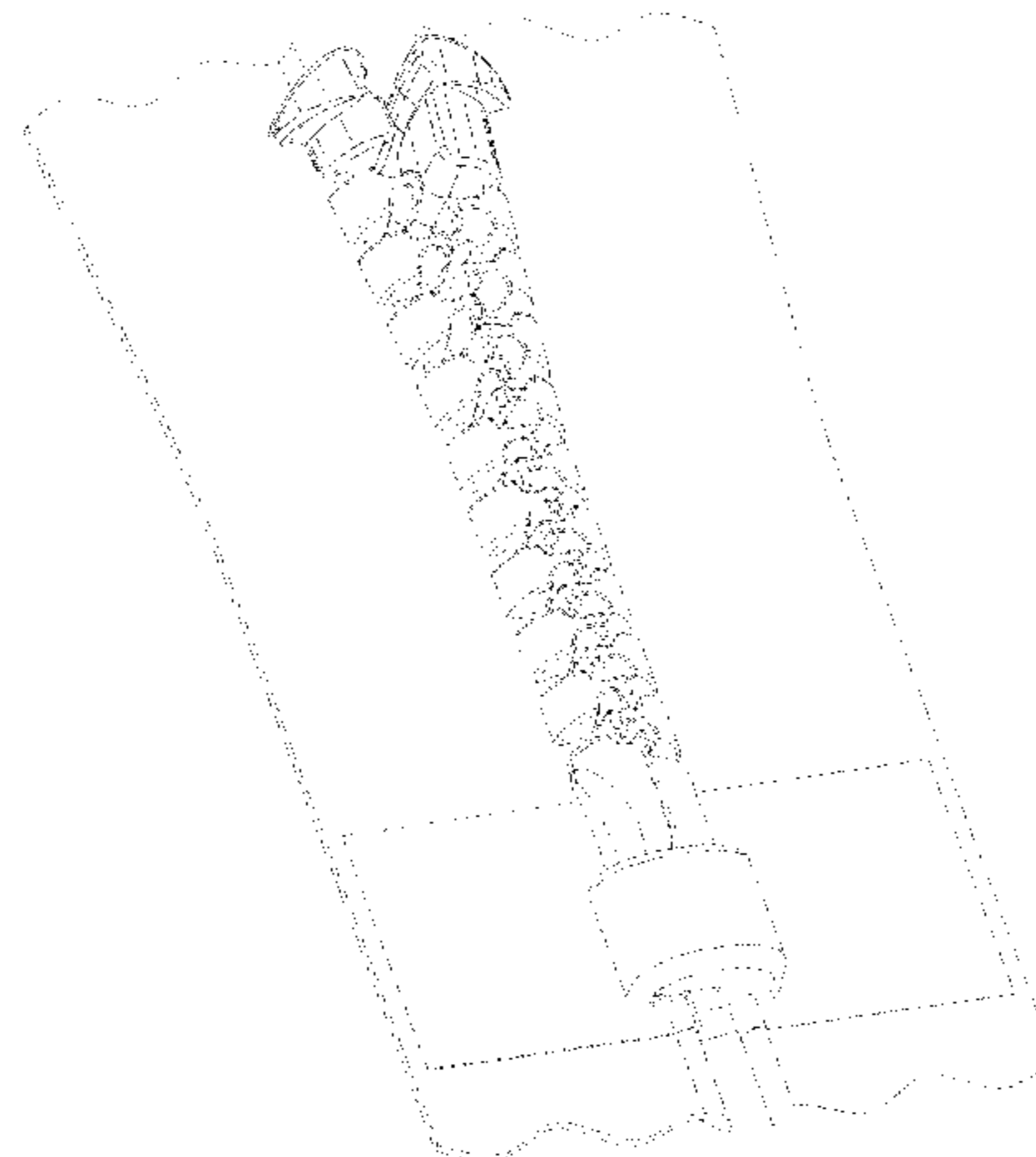
(58) **Field of Classification Search**

USPC D11/200, 201, 221; 24/381–383,
24/385–389, 414–417, 421–422, 427–431,
24/433, 434; 2/265; D2/641, 642;
294/3.6; 223/118; D8/33, 34, 40

CPC A44B 19/00; A44B 19/02; A44B 19/04;
A44B 19/10; A44B 19/26; A44B 19/30;
A44B 19/06; A44B 19/34; A44B 19/40;

FIG. 1 is a front elevational view of one part of a pair of zipper parts showing our new design;
 FIG. 2 is a left side view of FIG. 1;
 FIG. 3 is a right side view of FIG. 1;
 FIG. 4 is a top plan view of FIG. 1;
 FIG. 5 is a bottom plan view of FIG. 1;
 FIG. 6 is a first perspective view of FIG. 1;
 FIG. 7 is a second perspective view of FIG. 1;
 FIG. 8 is a third perspective view of FIG. 1;
 FIG. 9 is a front elevational view of the other part of the pair of zipper parts showing our new design;
 FIG. 10 is a left side view of FIG. 9;
 FIG. 11 is a right side view of FIG. 9;
 FIG. 12 is a top plan view of FIG. 9;
 FIG. 13 is a bottom plan view of FIG. 9;
 FIG. 14 is a first perspective view of FIG. 9;
 FIG. 15 is a second perspective view of FIG. 9;
 FIG. 16 is a third perspective view of FIG. 9;
 FIG. 17 is a first perspective view showing the pair of zipper parts in a use state; and,
 FIG. 18 is a second perspective view showing the pair of zipper parts in a use state.

(Continued)



The broken lines in FIGS. 17-18 depict environment and are for illustrative purposes only and form no part of the claimed design.

1 Claim, 18 Drawing Sheets

(56) **References Cited**

U.S. PATENT DOCUMENTS

D556,632 S *	12/2007	Cossutti	D11/221
7,698,790 B2 *	4/2010	Holloway	A44B 19/36
			24/436
D628,123 S *	11/2010	Kojima	D11/221
D632,218 S *	2/2011	Yamamoto	D11/221
D643,778 S *	8/2011	Hasegawa	D11/221
D644,564 S *	9/2011	Kojima	D11/221
D673,077 S *	12/2012	Fujita	D11/221

* cited by examiner

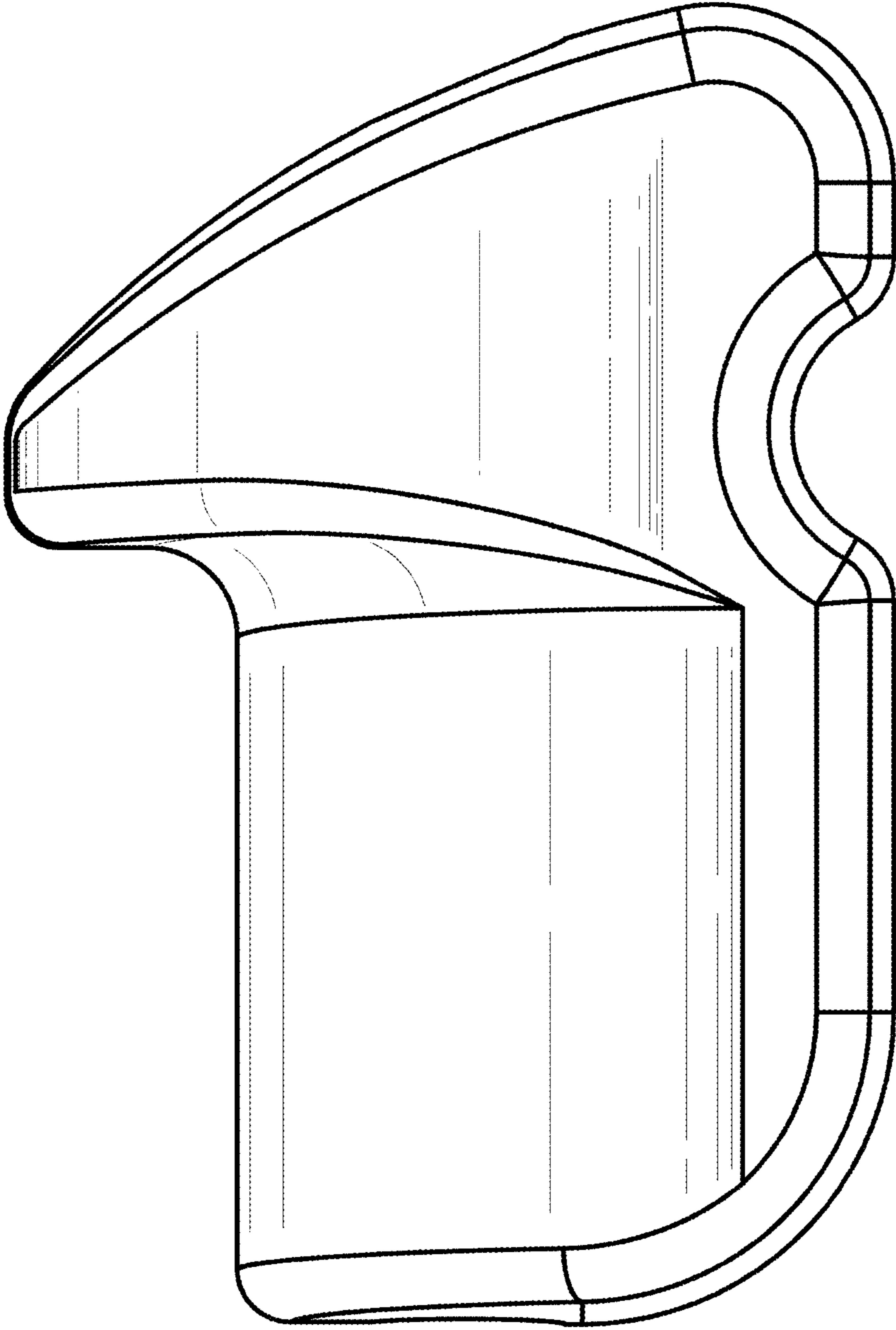


Fig. 1

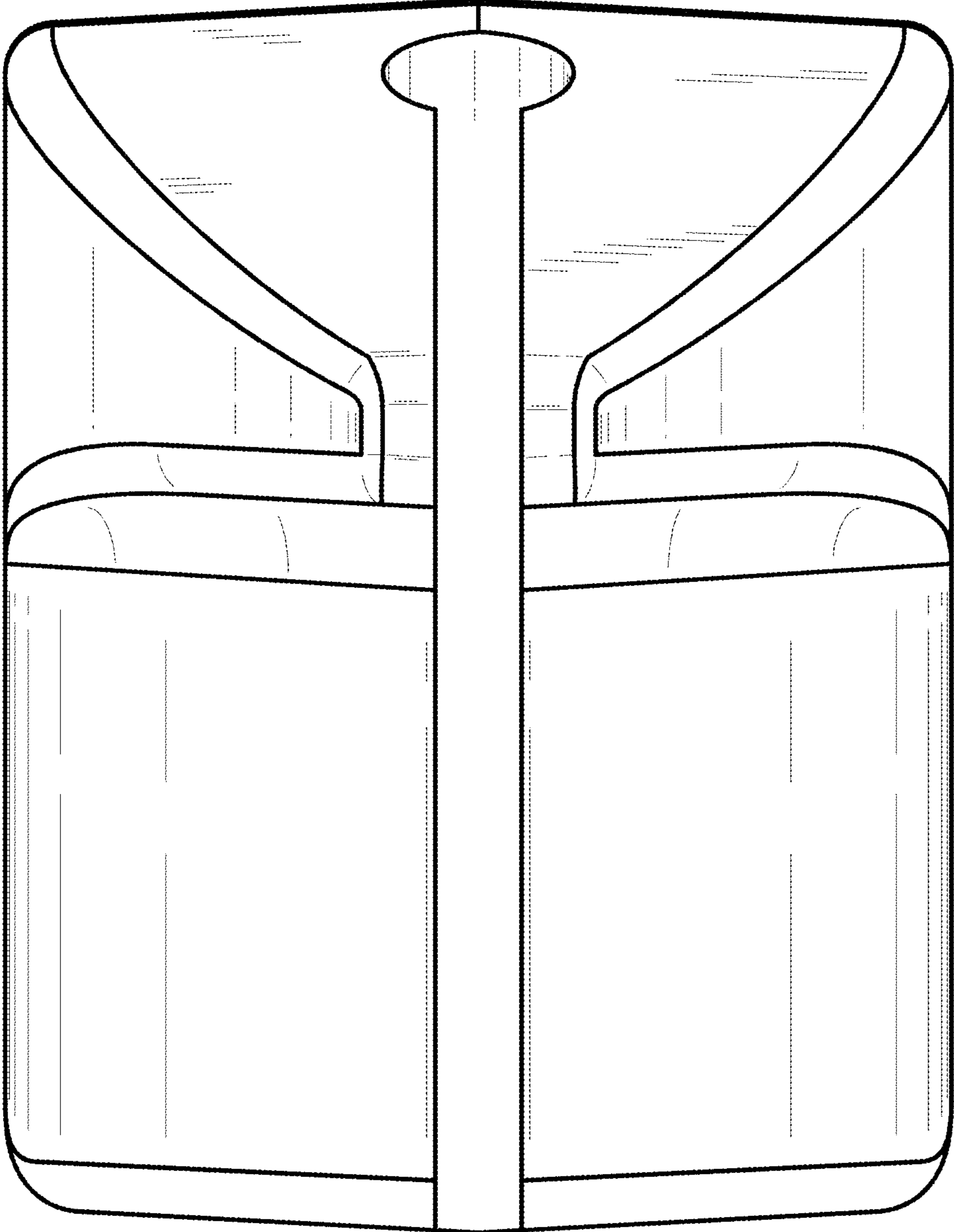


Fig. 2

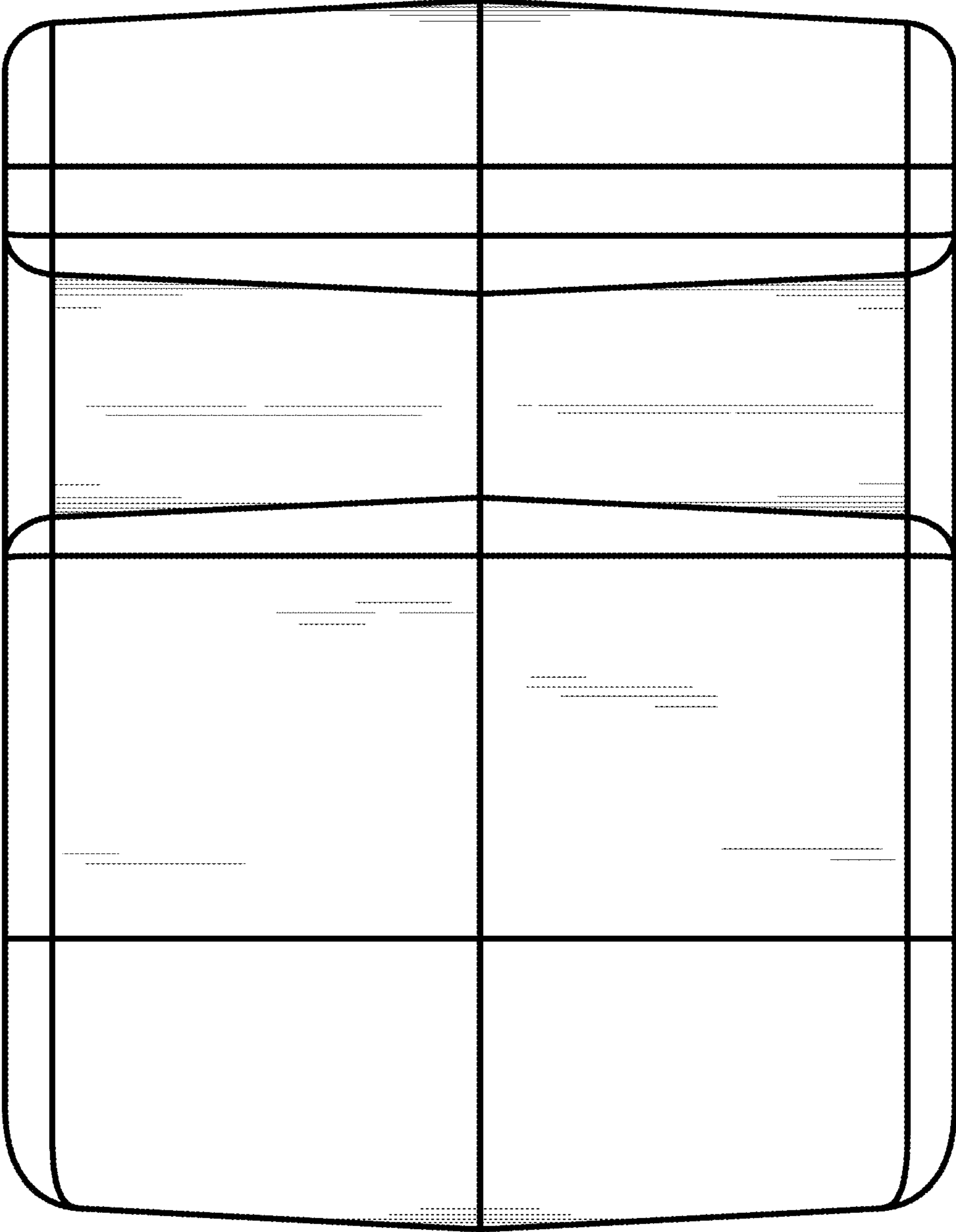


Fig. 3

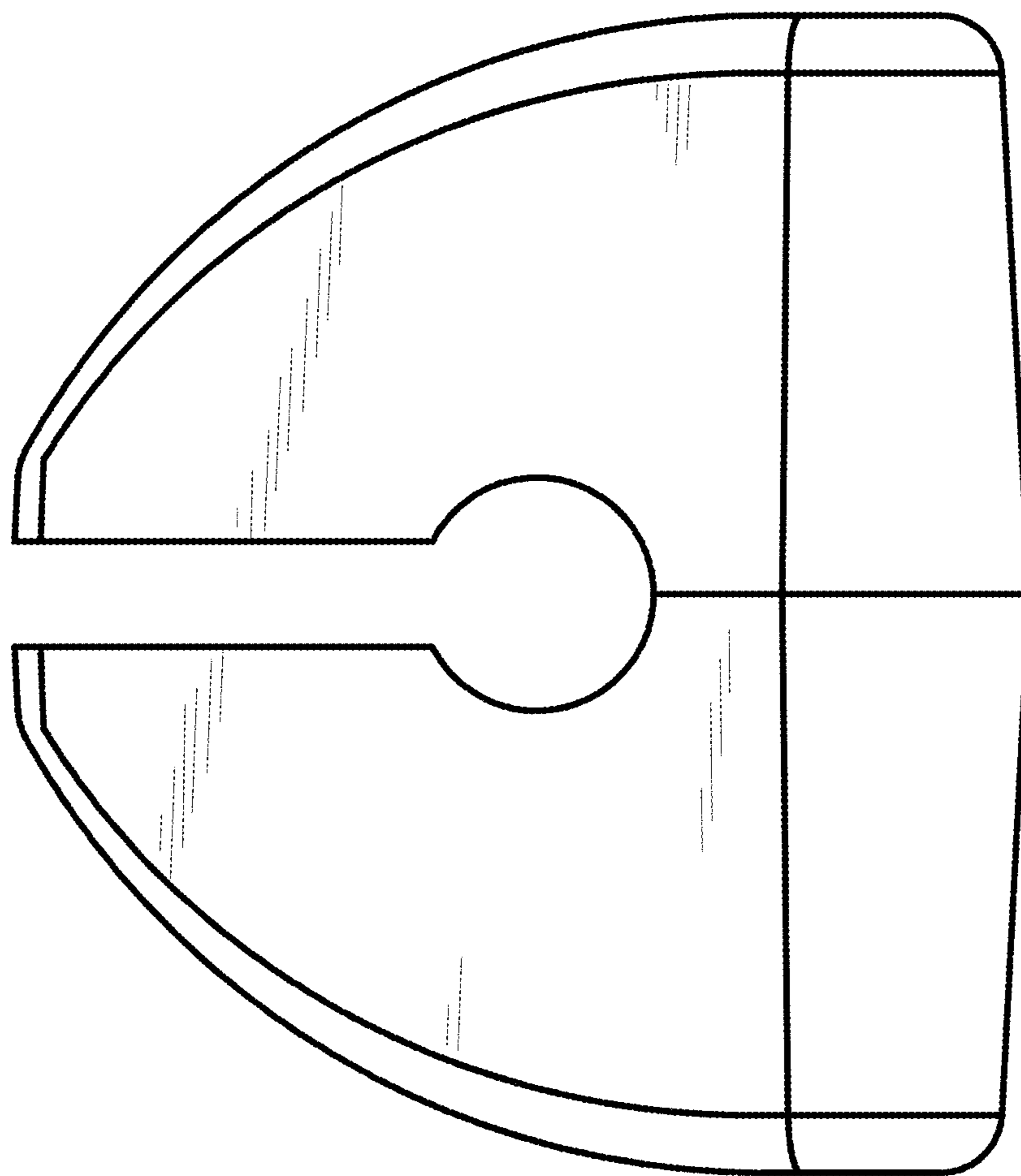


Fig. 4

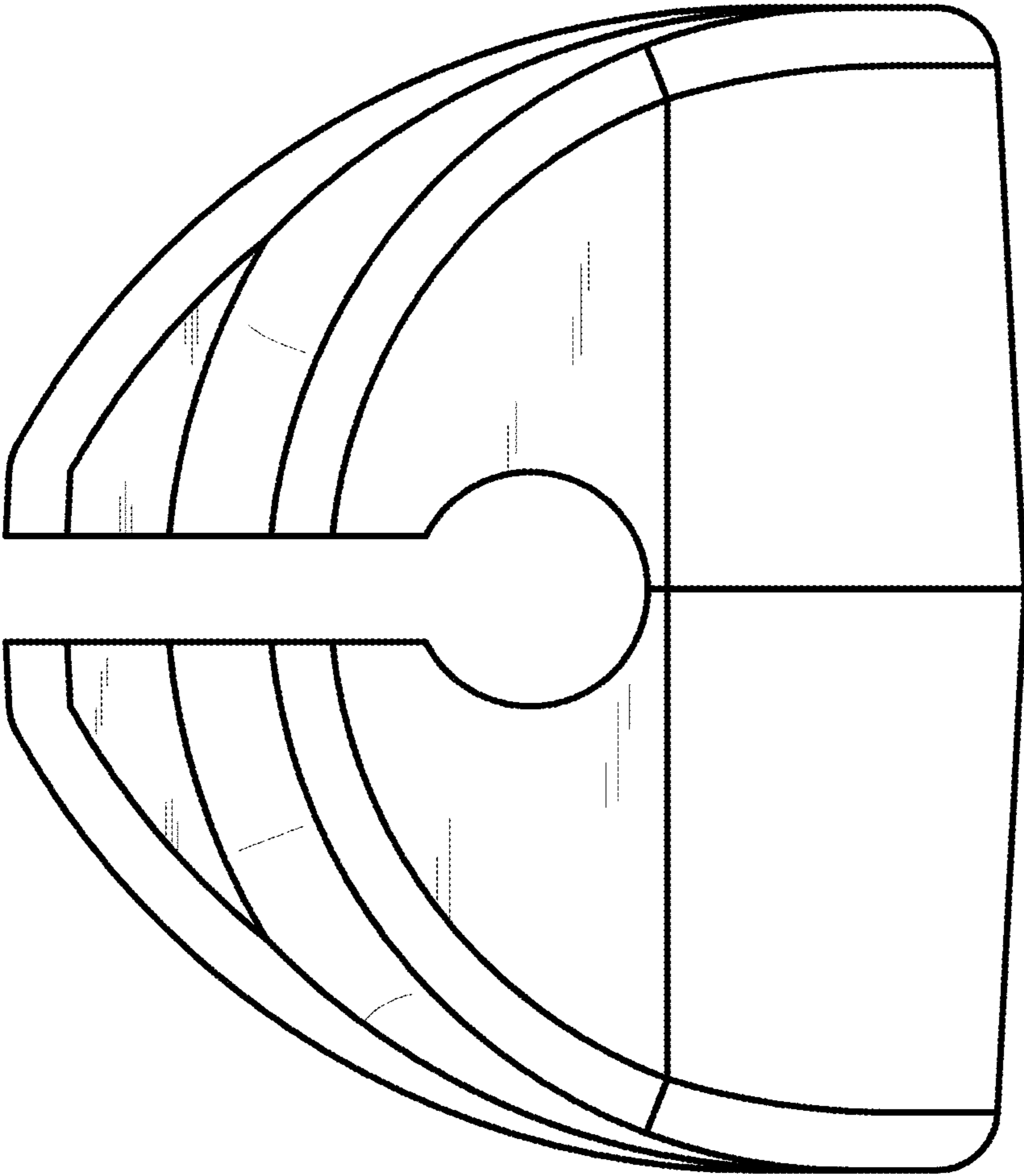


Fig. 5

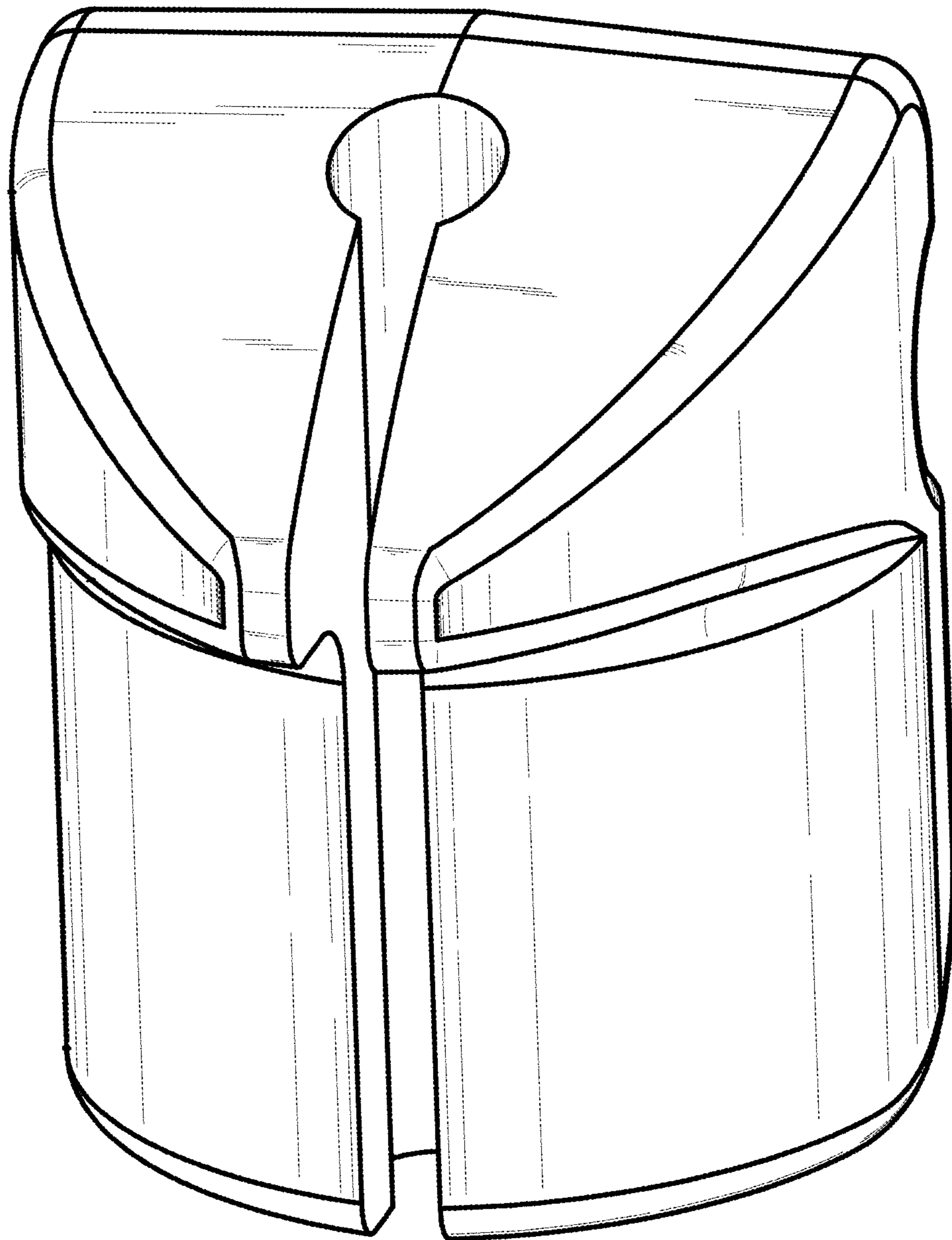


Fig. 6

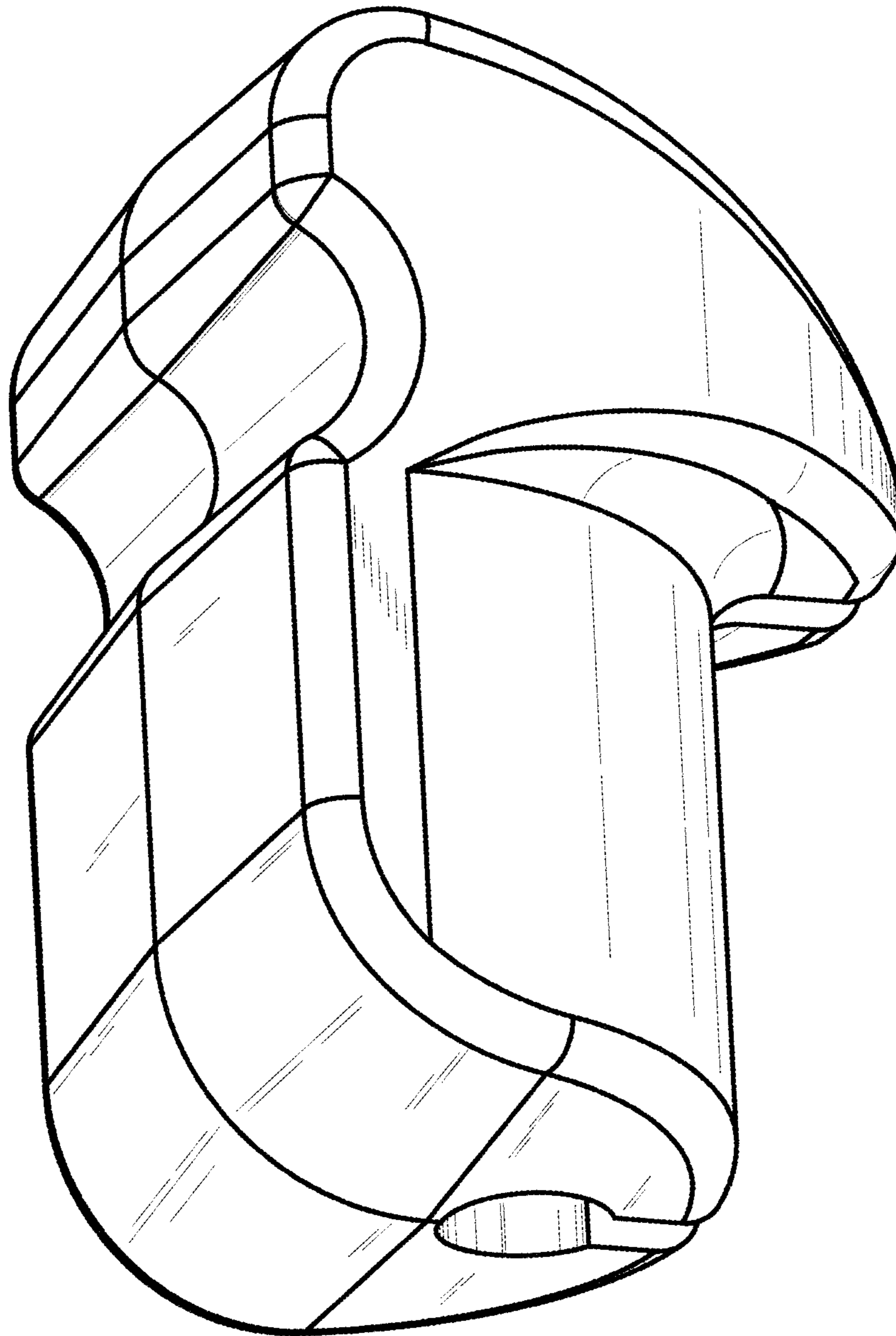


Fig. 7

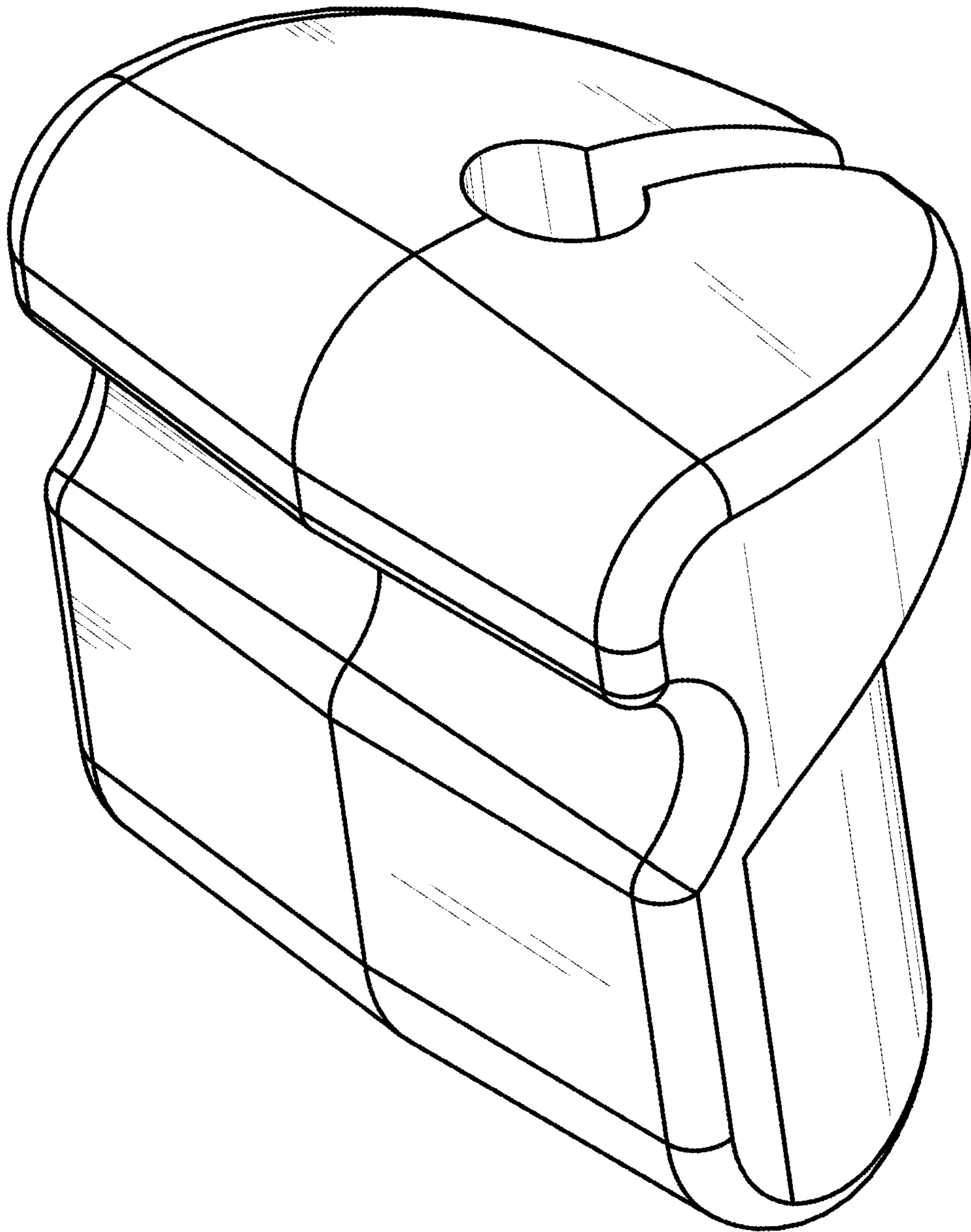


Fig. 8

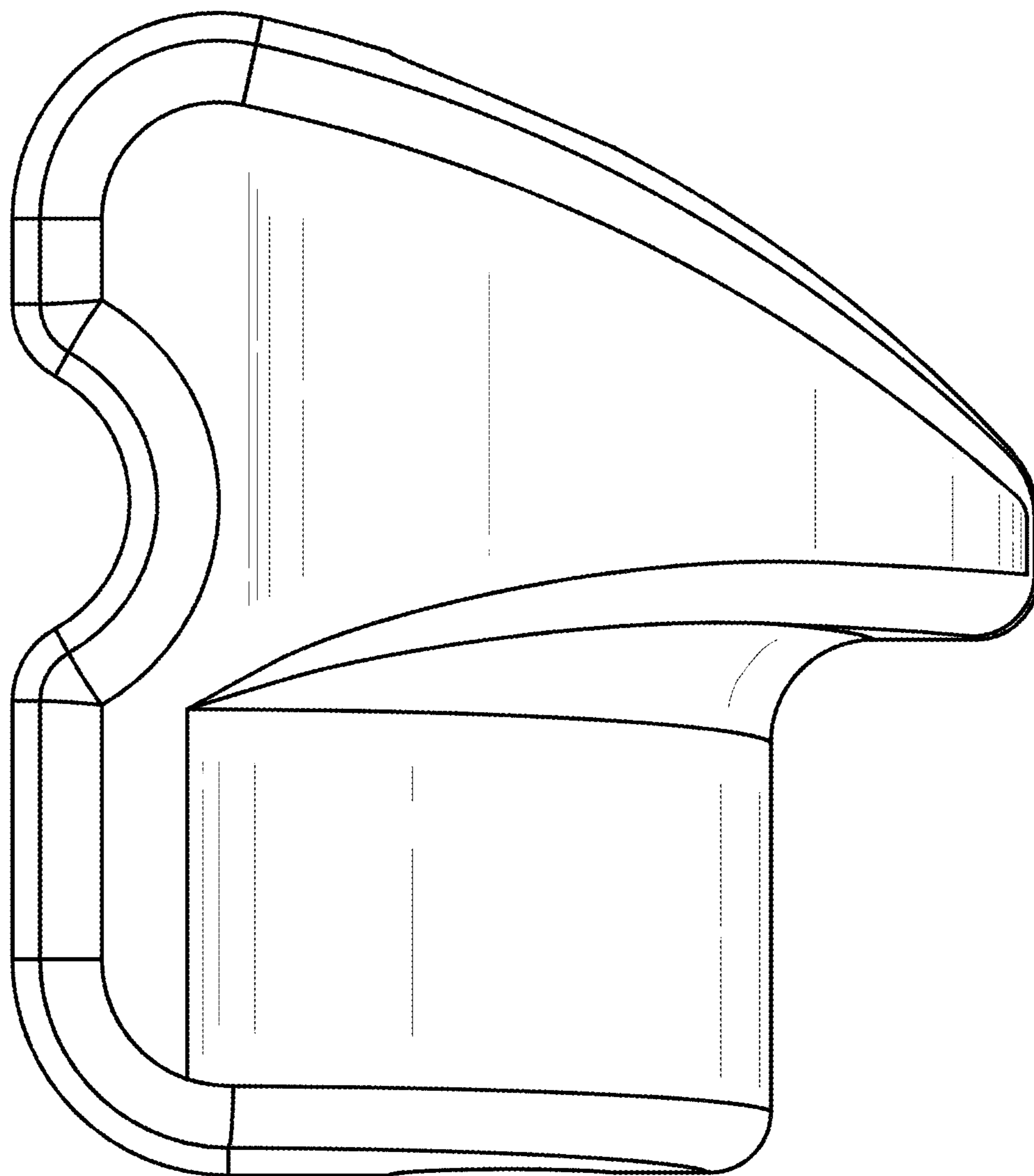


Fig. 9

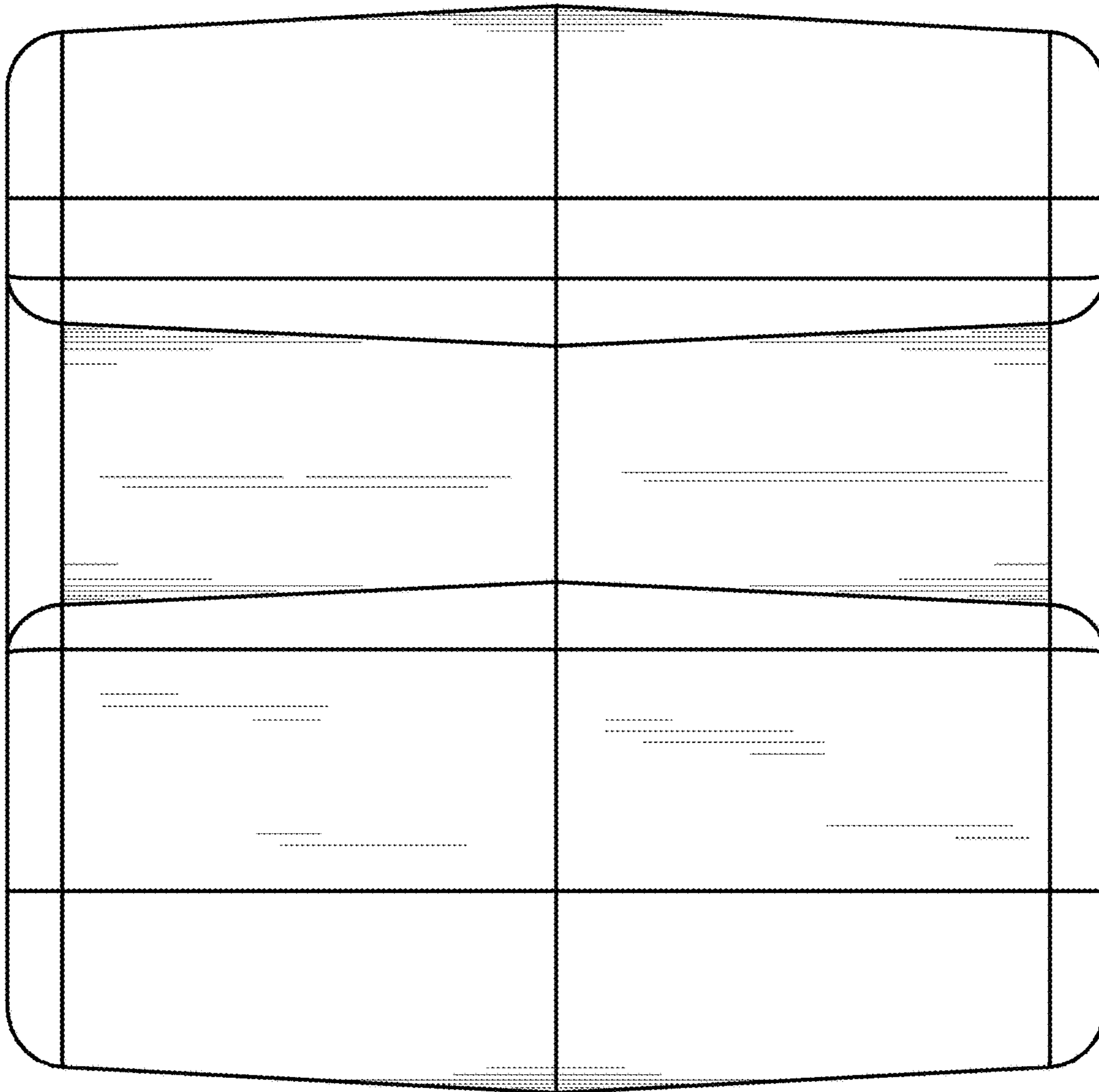


Fig. 10

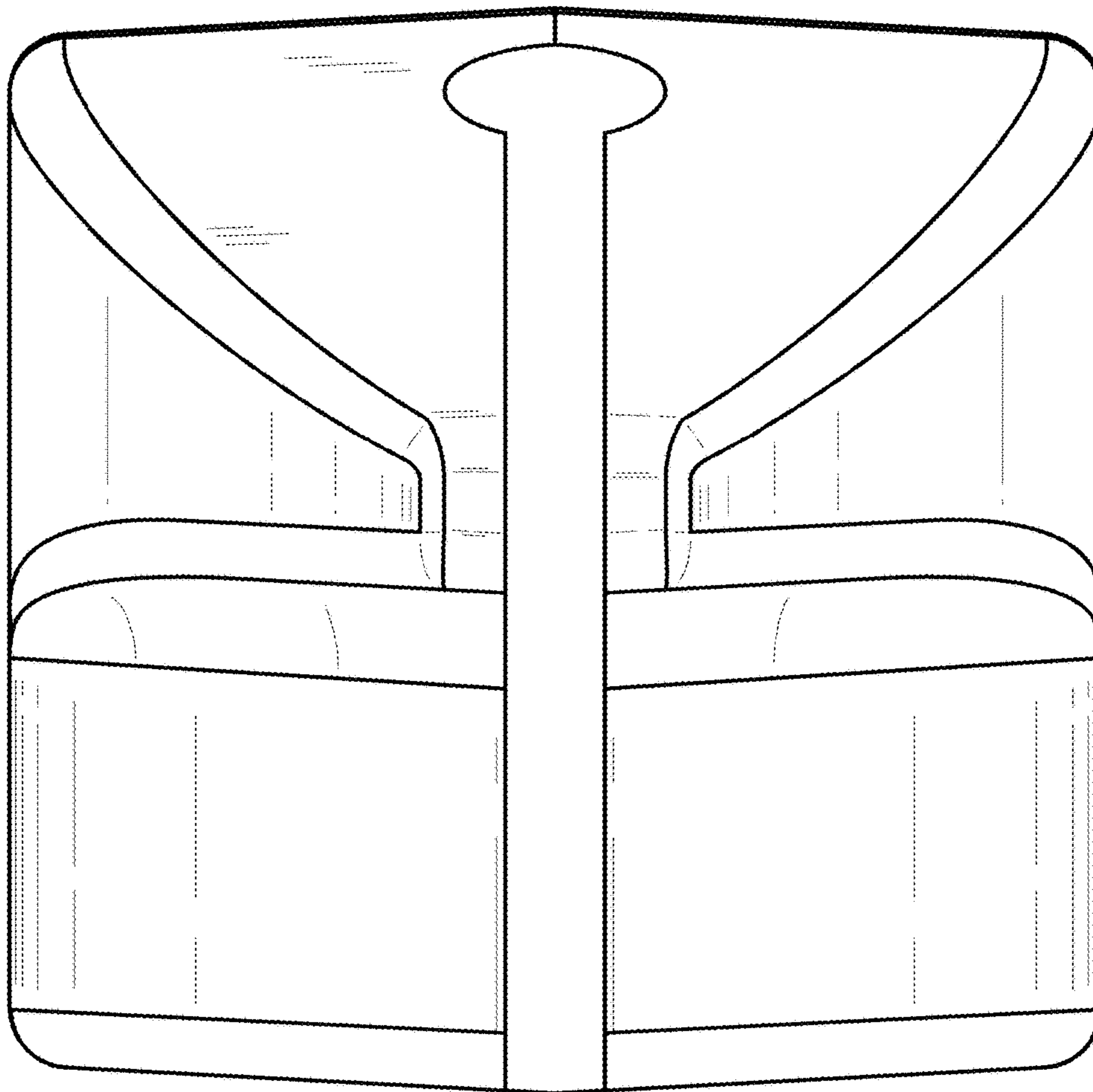


Fig. 11

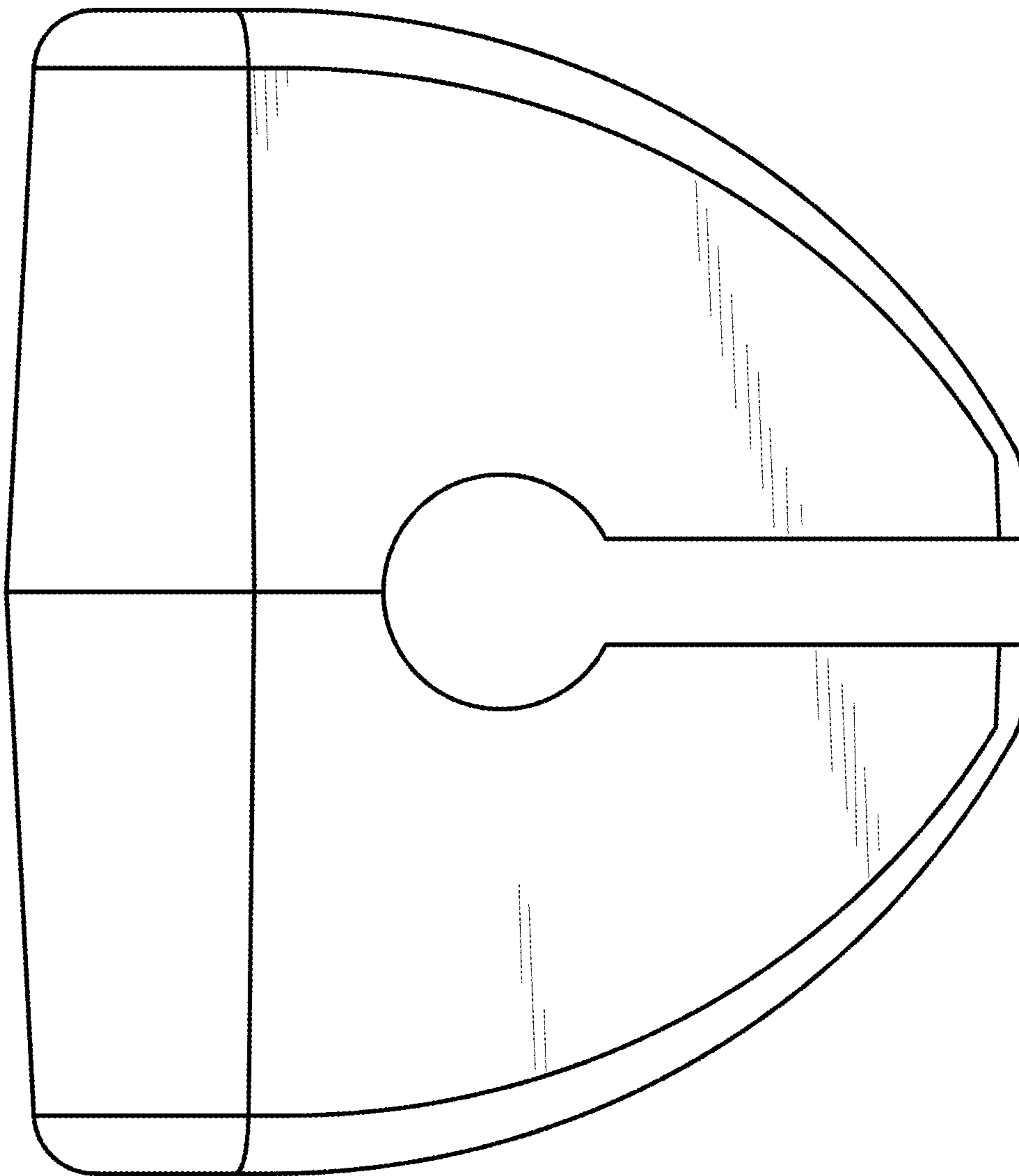


Fig. 12

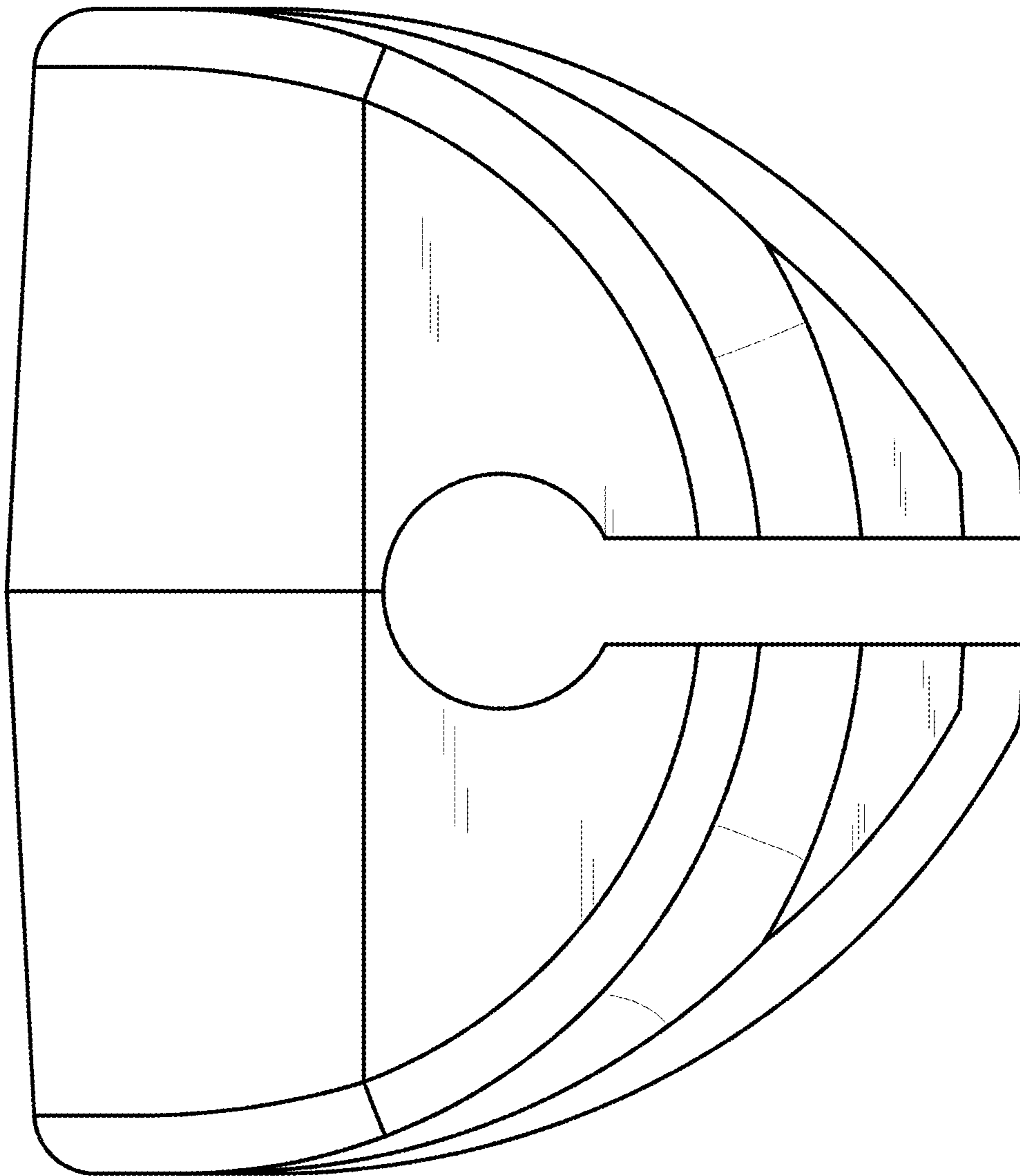


Fig. 13

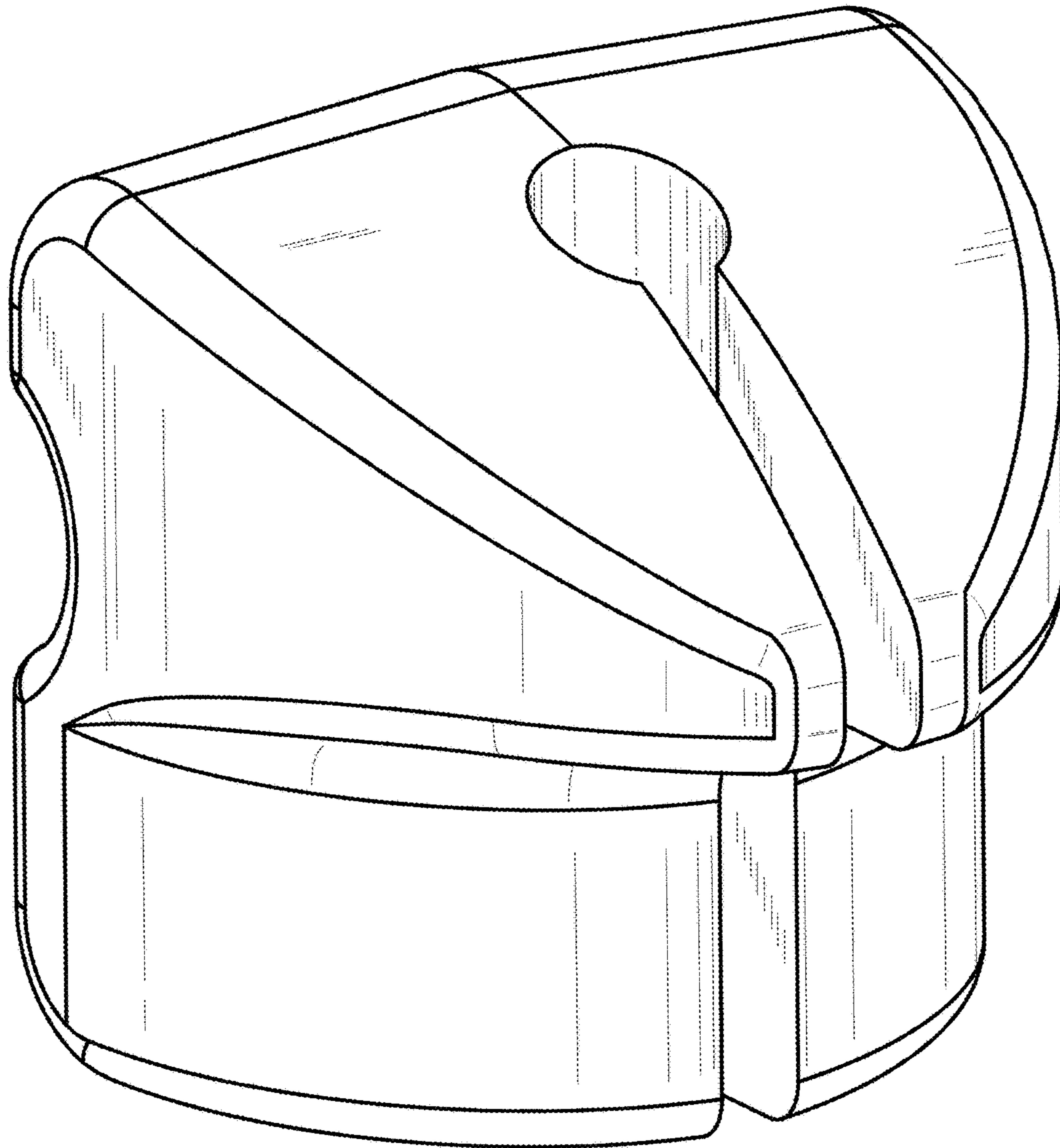


Fig. 14

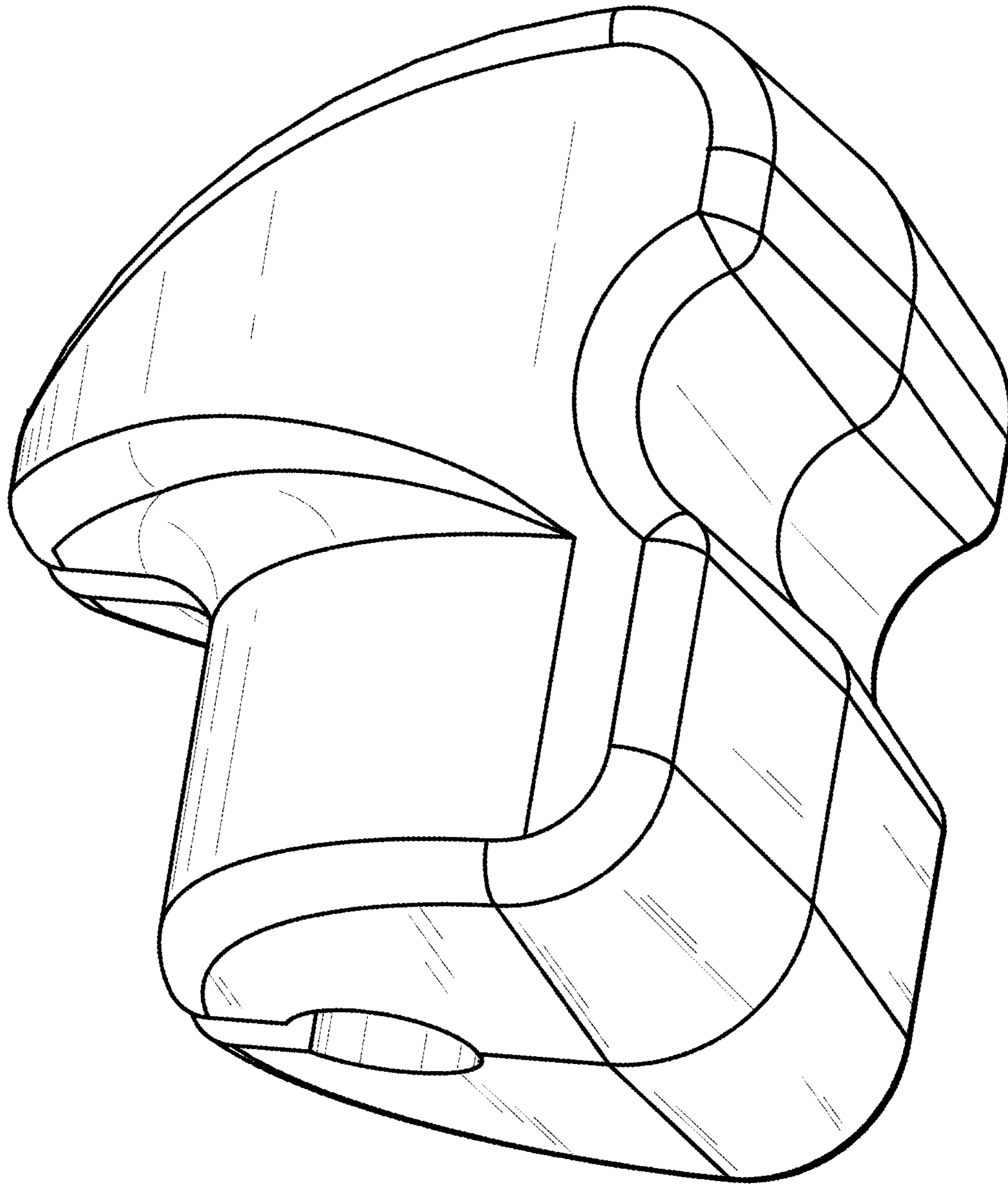


Fig. 15

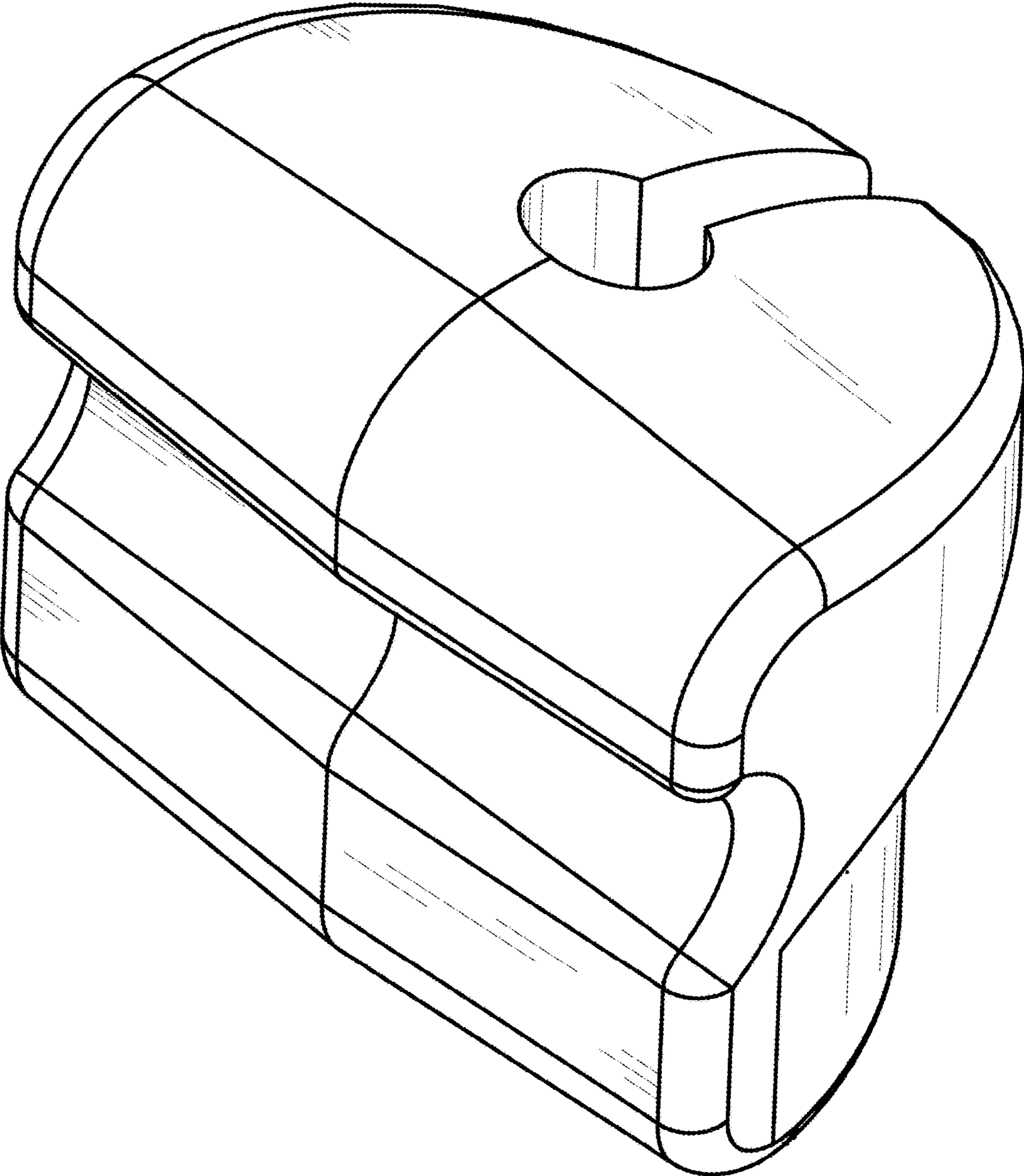


Fig. 16

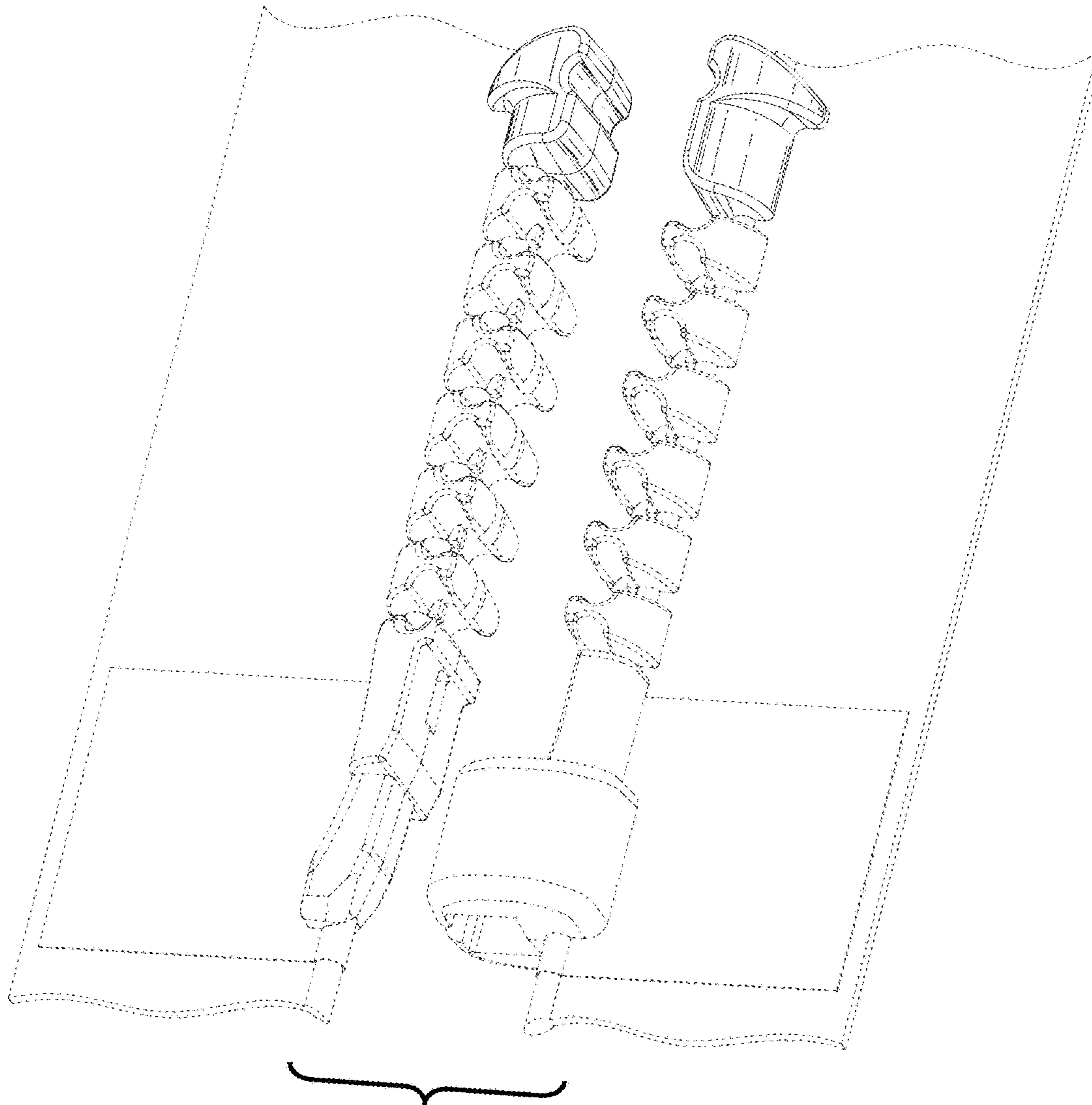


Fig. 17

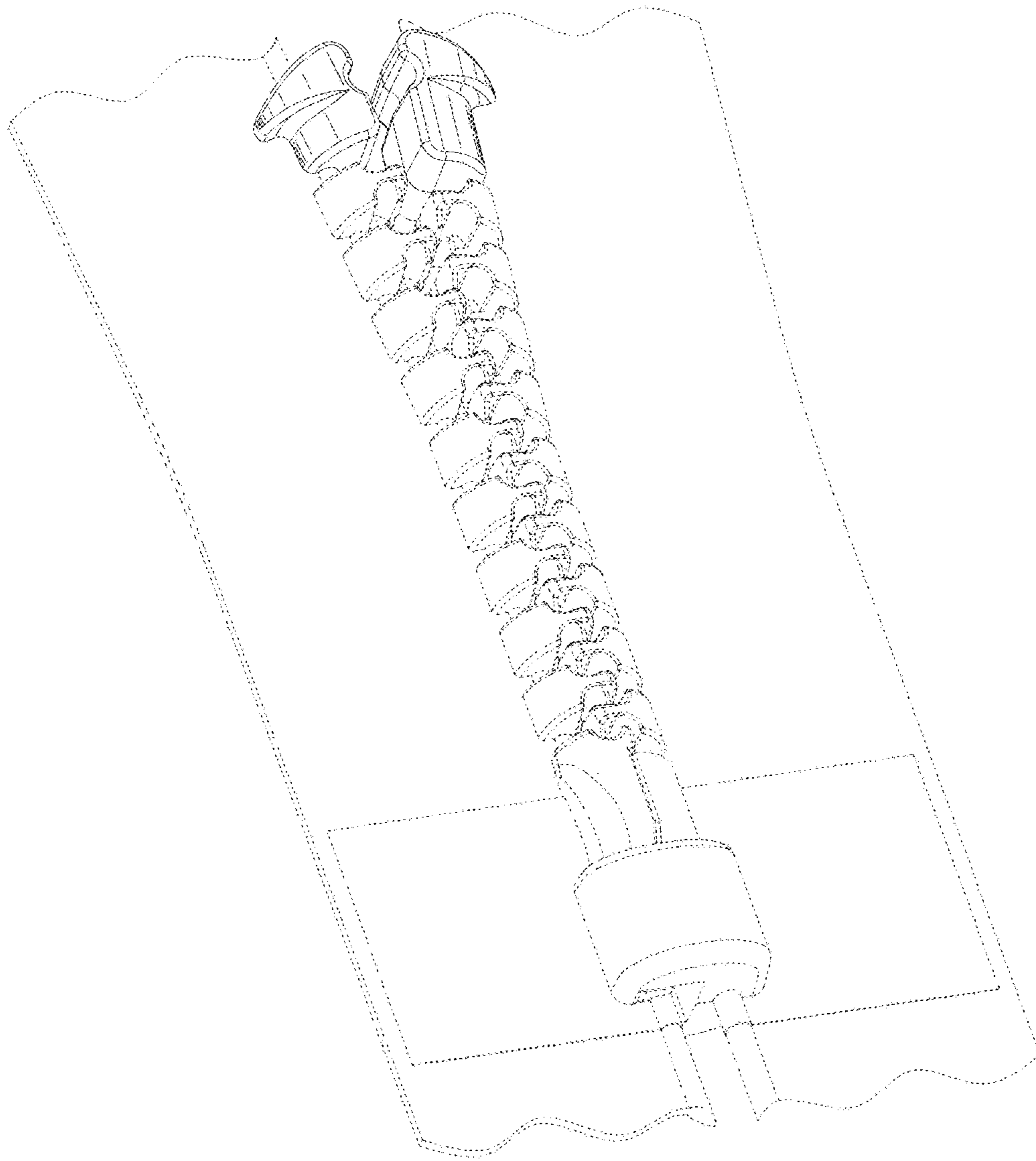


Fig. 18