



US00D829599S

(12) **United States Design Patent**
Sanderson, Jr.

(10) **Patent No.:** **US D829,599 S**

(45) **Date of Patent:** **** Oct. 2, 2018**

- (54) **APPARATUS FOR MOUNTING A FLAGSTAFF AND FLAG**
- (71) Applicant: **John Reed Sanderson, Jr.**, Thomaston, CT (US)
- (72) Inventor: **John Reed Sanderson, Jr.**, Thomaston, CT (US)
- (**) Term: **15 Years**
- (21) Appl. No.: **29/641,779**
- (22) Filed: **Mar. 24, 2018**
- (51) **LOC (11) Cl.** **11-05**
- (52) **U.S. Cl.**
USPC **D11/182**
- (58) **Field of Classification Search**
USPC D11/182; D8/349-350; D20/41-43
CPC E04H 12/32; G09F 17/00
See application file for complete search history.

- D350,500 S * 9/1994 Willis D11/181
- D448,717 S * 10/2001 Hanson D12/162
- D476,919 S * 7/2003 Vidmar D11/182
- 6,964,403 B2 * 11/2005 Fox G09F 17/00
116/173
- 2016/0312488 A1 * 10/2016 Pannekoek E04H 12/32

* cited by examiner

Primary Examiner — Michael A. Pratt

(74) *Attorney, Agent, or Firm* — Robert S. Smith

(57) **CLAIM**

The ornamental design for apparatus for mounting a flagstaff and flag, as shown and described.

DESCRIPTION

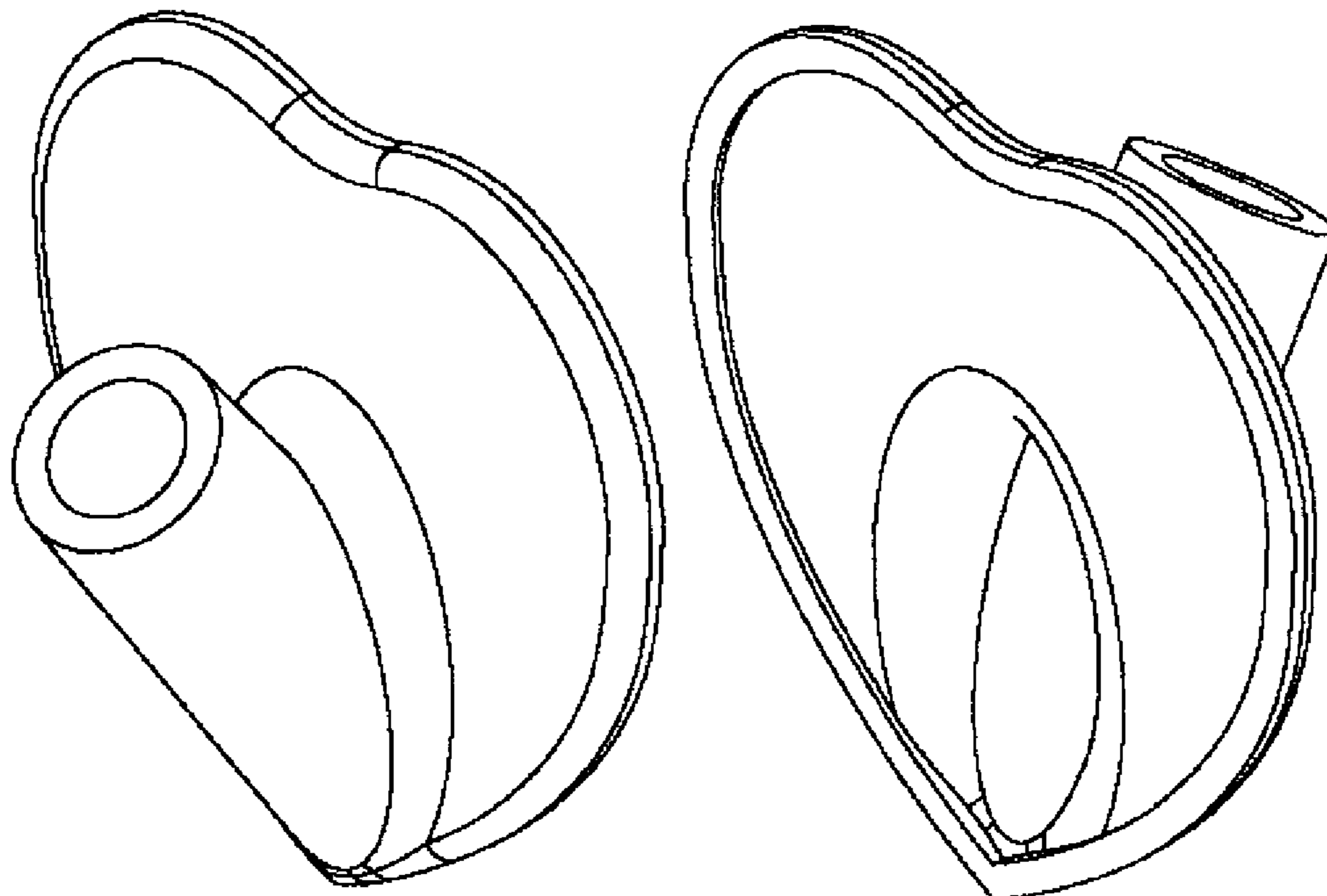
FIG. 1 is a left side elevational view of my new design;
 FIG. 2 is a front elevational view thereof;
 FIG. 3 is a right elevational view thereof;
 FIG. 4 is a rear elevational view thereof;
 FIG. 5 is a sectional view taken along the line 5-5 of FIG. 2;
 FIG. 6 is a top view thereof;
 FIG. 7 is a front isometric view thereof;
 FIG. 8 is a rear isometric view thereof; and,
 FIG. 9 is a bottom view thereof.

1 Claim, 2 Drawing Sheets

(56) **References Cited**

U.S. PATENT DOCUMENTS

- D19,587 S * 1/1890 Steltz D8/363
- D200,407 S * 2/1965 Wessel D8/380
- D201,888 S * 8/1965 Faulhaber D11/182
- 4,163,426 A * 8/1979 O'Neill B60Q 7/005
116/28 R



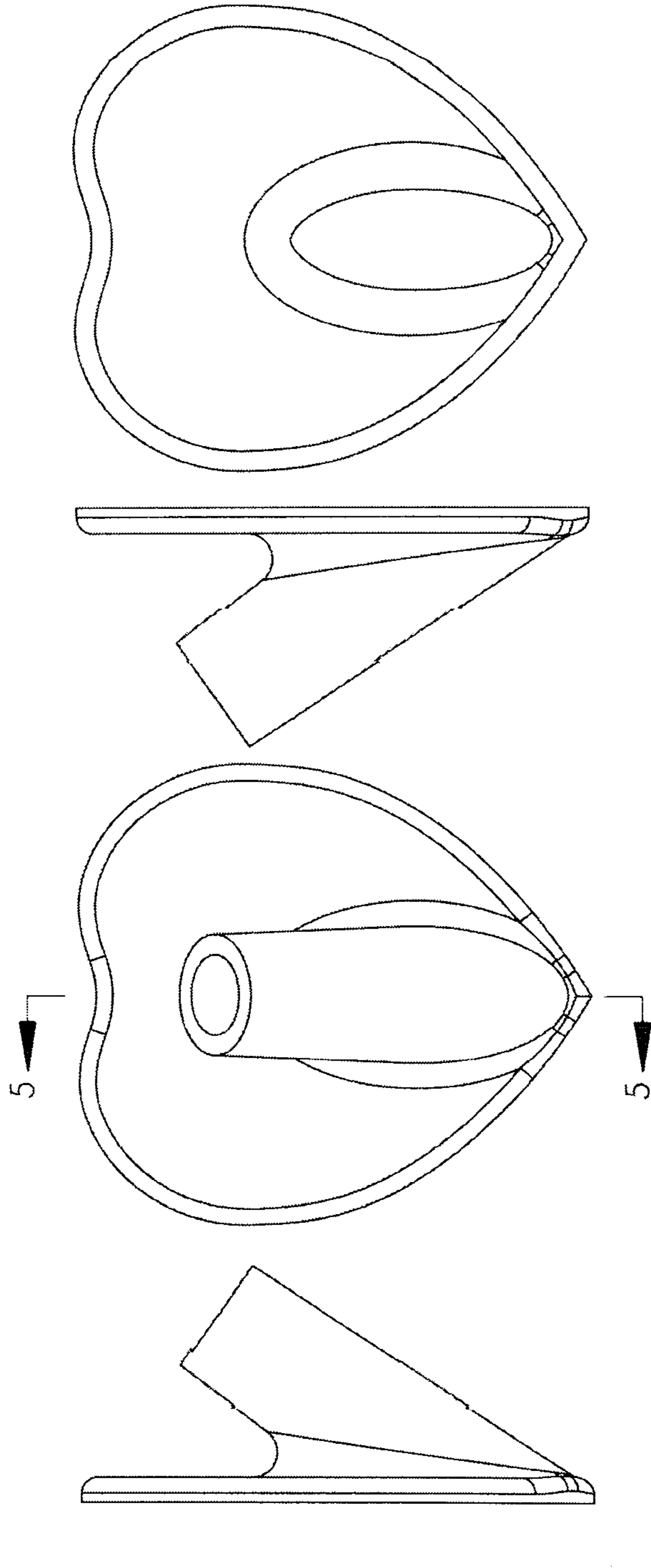


FIG. 4

FIG. 3

FIG. 2

FIG. 1

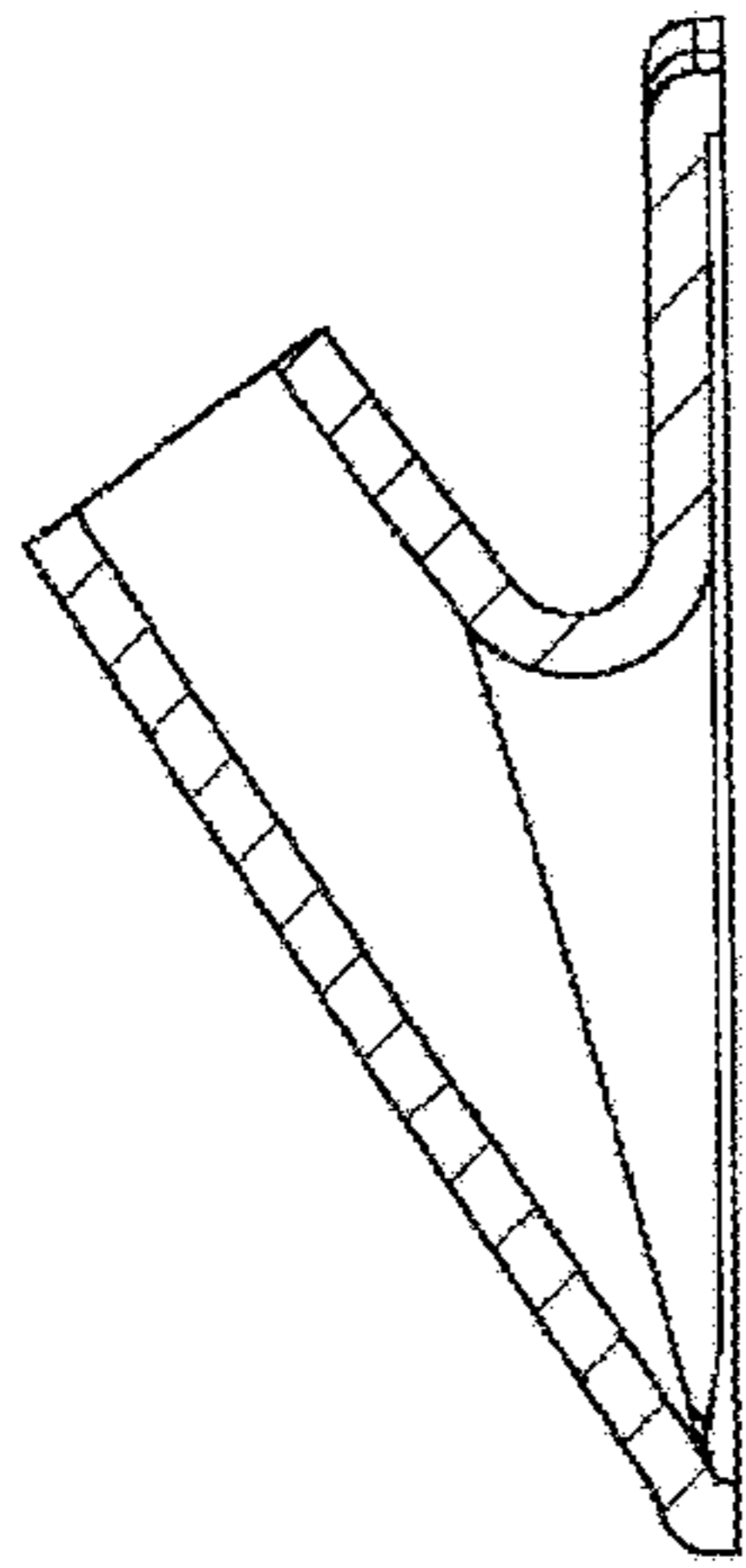


FIG. 5

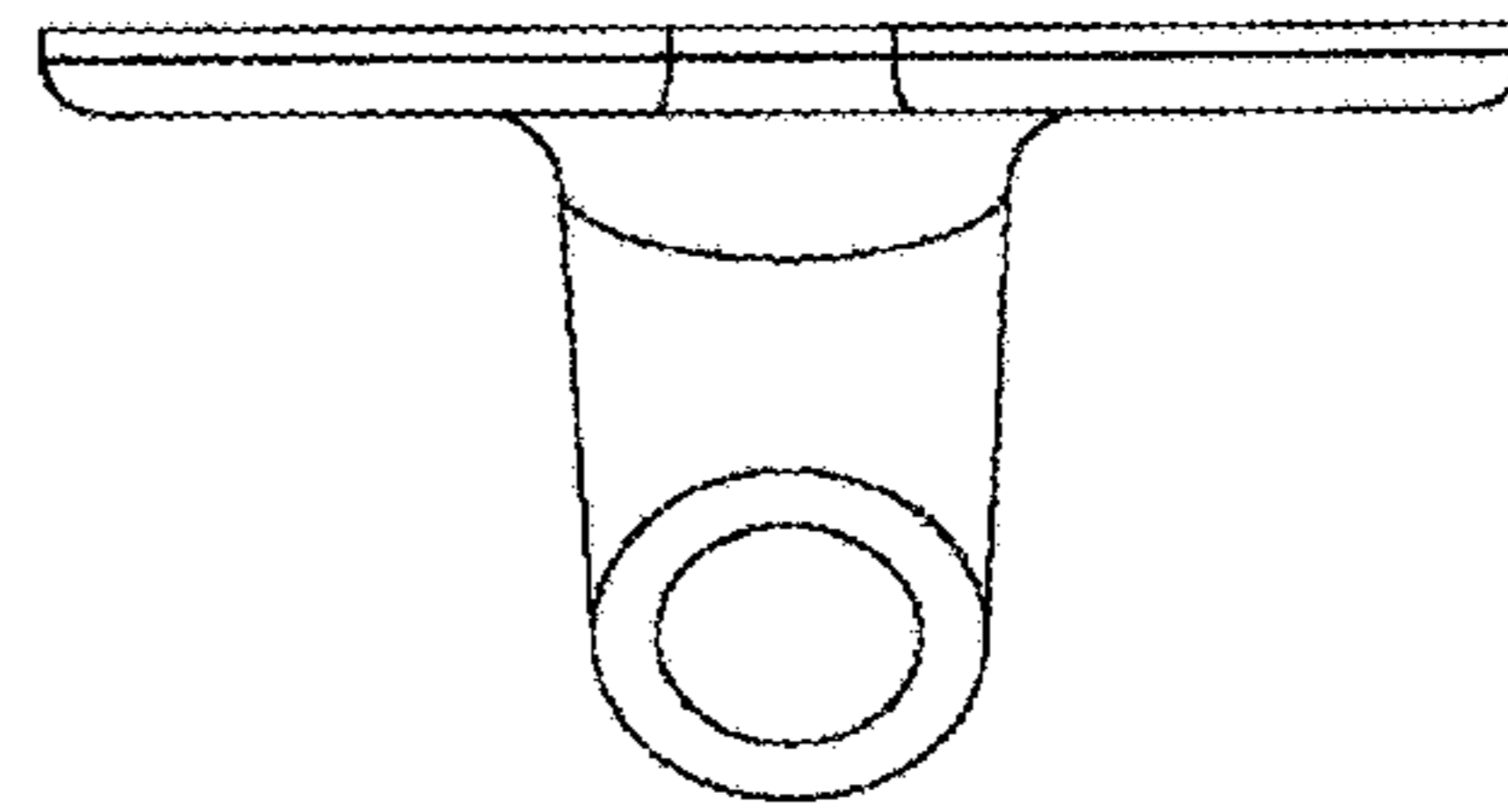


FIG. 6

FIG. 7

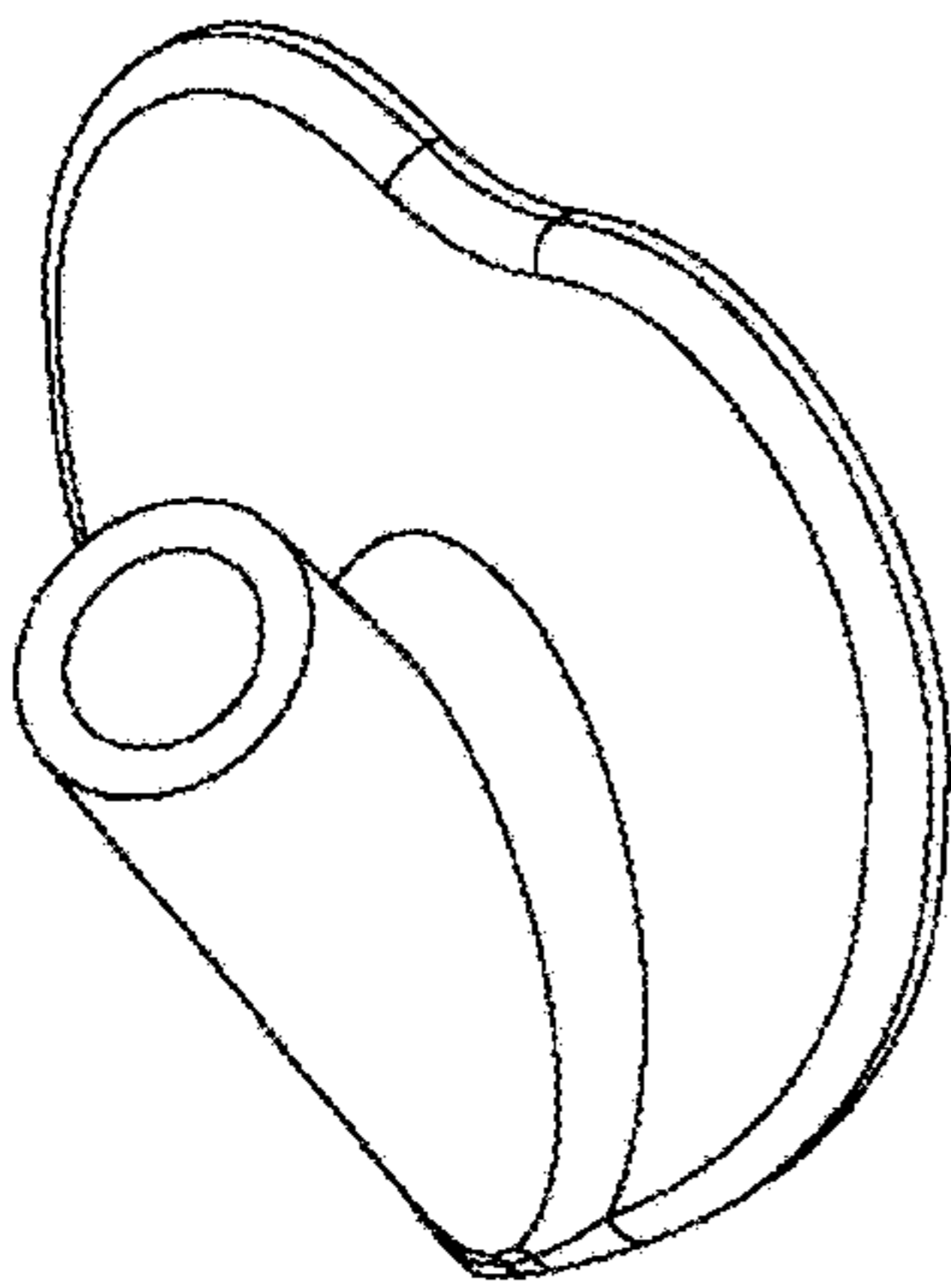


FIG. 8

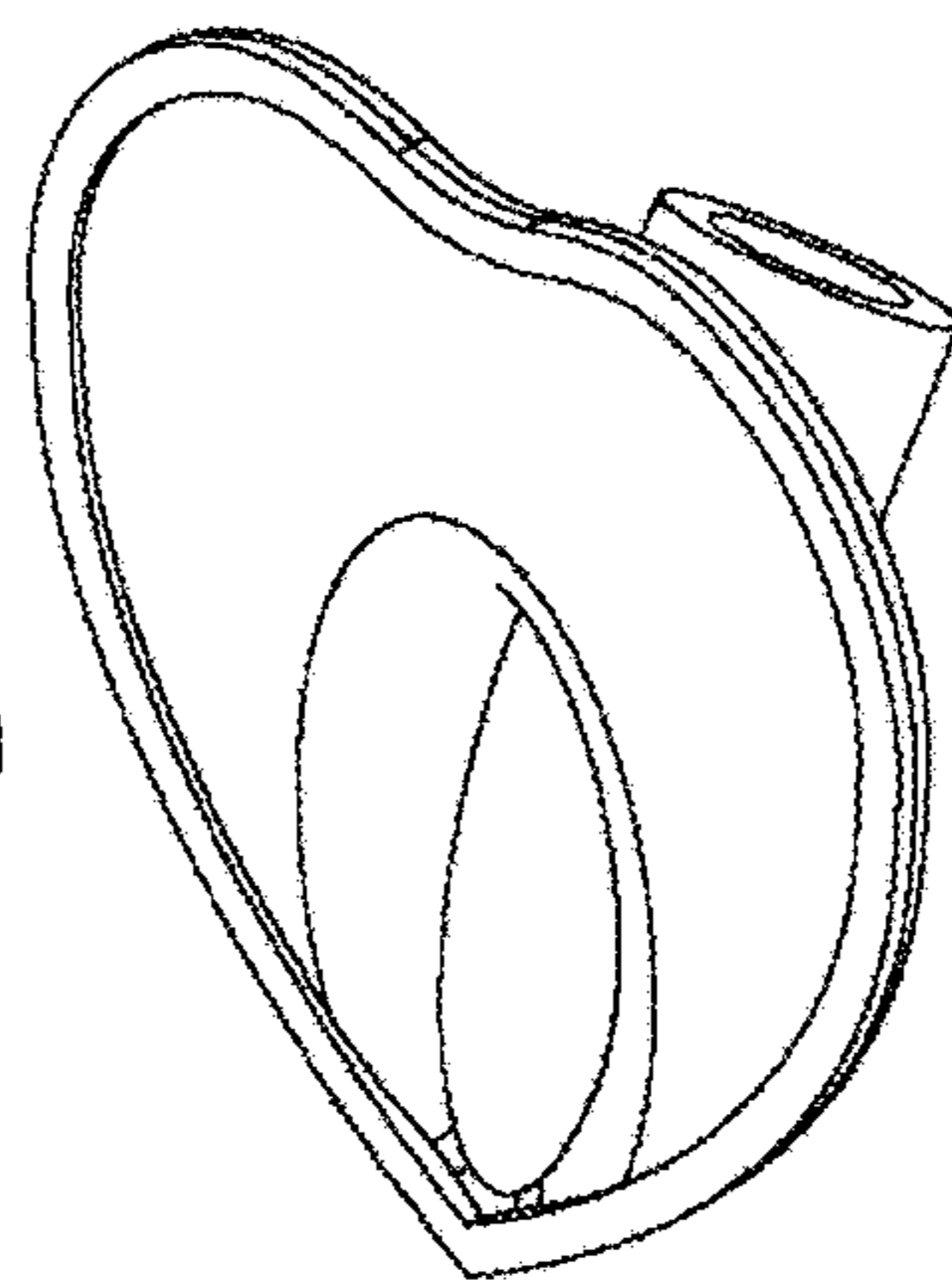


FIG. 9

