



US00D829598S

(12) **United States Design Patent**
Sanderson, Jr.

(10) **Patent No.:** **US D829,598 S**

(45) **Date of Patent:** **** Oct. 2, 2018**

(54) **APPARATUS FOR MOUNTING A
FLAGSTAFF AND FLAG**

(71) Applicant: **John Reed Sanderson, Jr.**, Thomaston,
CT (US)

(72) Inventor: **John Reed Sanderson, Jr.**, Thomaston,
CT (US)

(**) Term: **15 Years**

(21) Appl. No.: **29/641,778**

(22) Filed: **Mar. 24, 2018**

(51) **LOC (11) Cl.** **11-05**

(52) **U.S. Cl.**
USPC **D11/182**

(58) **Field of Classification Search**
USPC D11/182; D8/349-350; D20/41-43
CPC E04H 12/32; G09F 17/00
See application file for complete search history.

(56) **References Cited**

U.S. PATENT DOCUMENTS

D19,587 S *	1/1890	Steltz	D8/363
D200,407 S *	2/1965	Wessel	D8/380
D201,888 S *	8/1965	Faulhaber	D11/182
4,163,426 A *	8/1979	O'Neill	B60Q 7/005 116/28 R

D350,500 S *	9/1994	Willis	D11/181
D448,717 S *	10/2001	Hanson	D12/162
D476,919 S *	7/2003	Vidmar	D11/182
6,964,403 B2 *	11/2005	Fox	G09F 17/00 116/173
2016/0312488 A1 *	10/2016	Pannekoek	E04H 12/32

* cited by examiner

Primary Examiner — Michael A. Pratt

(74) *Attorney, Agent, or Firm* — Robert S. Smith

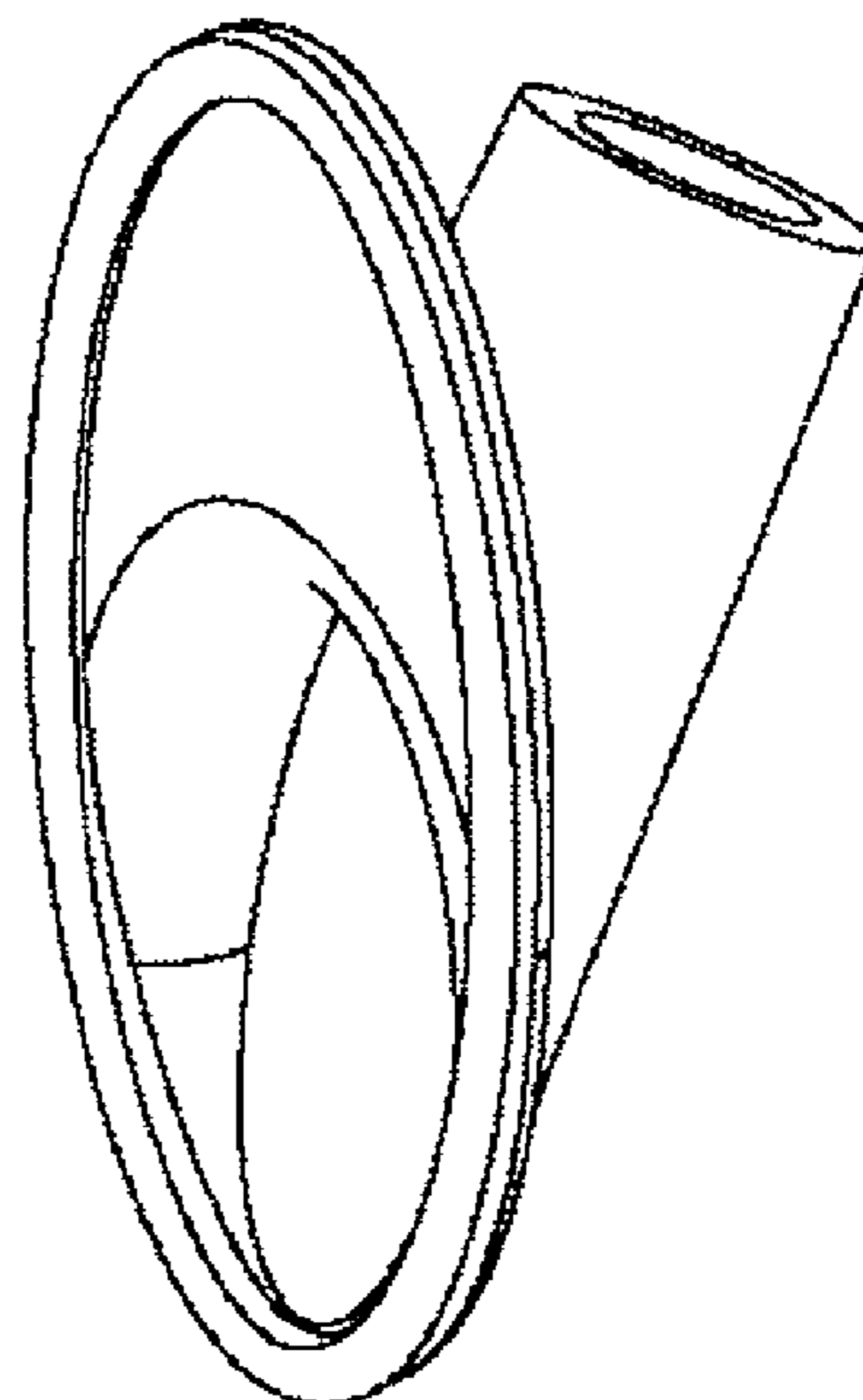
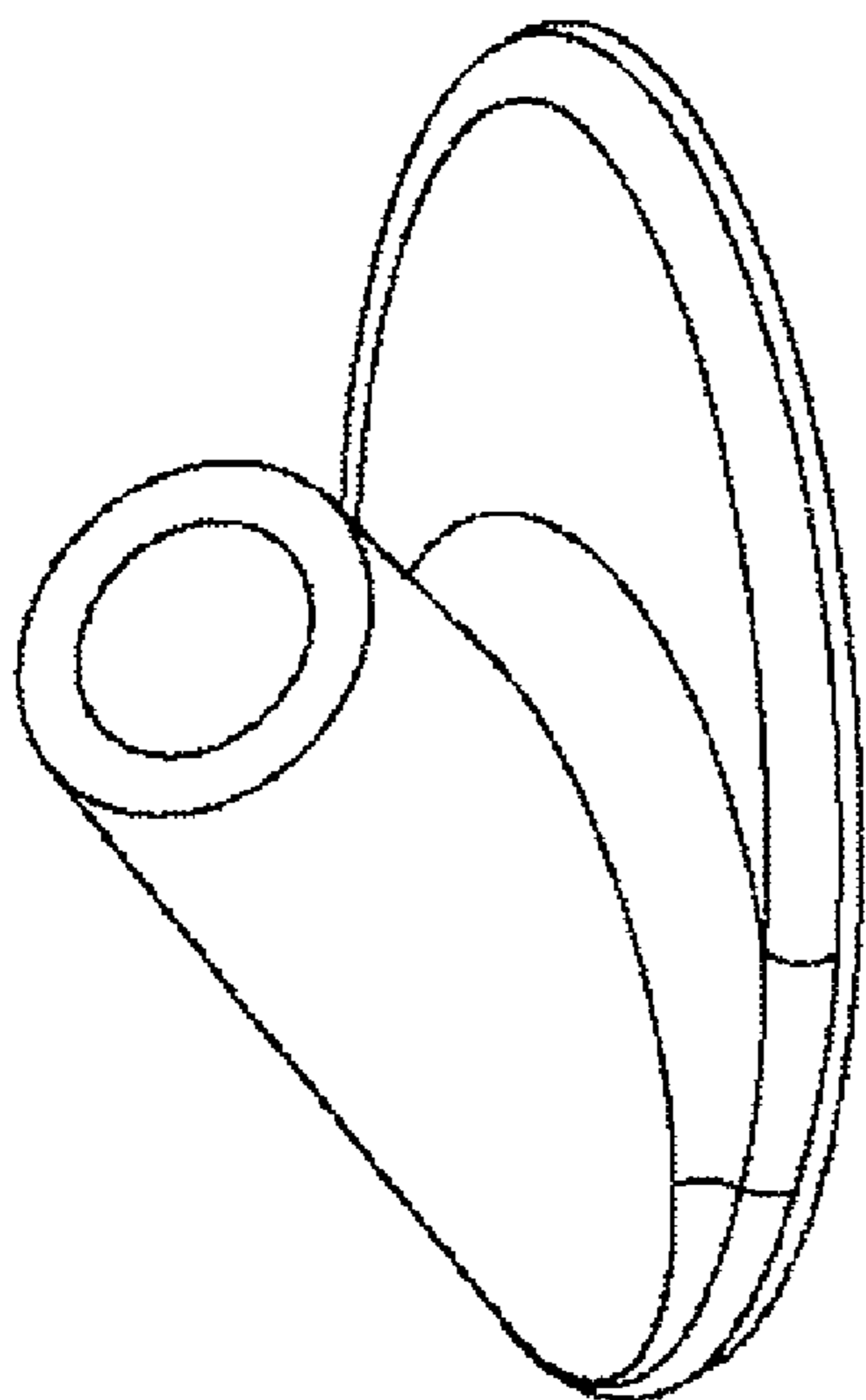
(57) **CLAIM**

The ornamental design for apparatus for mounting a flagstaff and flag, as shown and described.

DESCRIPTION

FIG. 1 is a left side elevational view of my new design;
FIG. 2 is a front elevational view thereof;
FIG. 3 is a right elevational view thereof;
FIG. 4 is a rear elevational view thereof;
FIG. 5 is a sectional view taken along the line 5-5 of FIG. 2;
FIG. 6 is a top view thereof;
FIG. 7 is a front isometric view thereof;
FIG. 8 is a rear isometric view thereof; and,
FIG. 9 is a bottom view thereof.

1 Claim, 2 Drawing Sheets



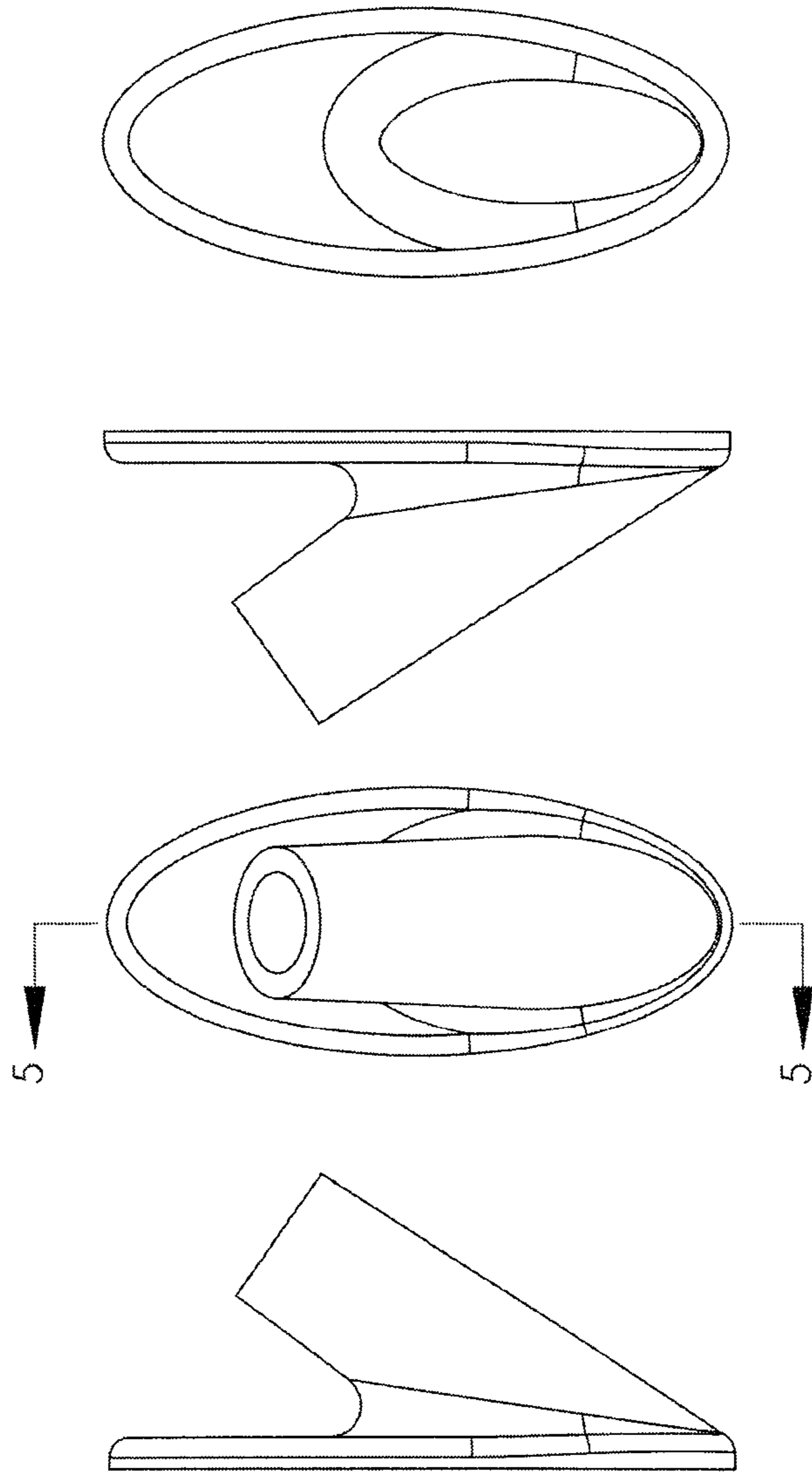


FIG. 4

FIG. 3

FIG. 2

FIG. 1

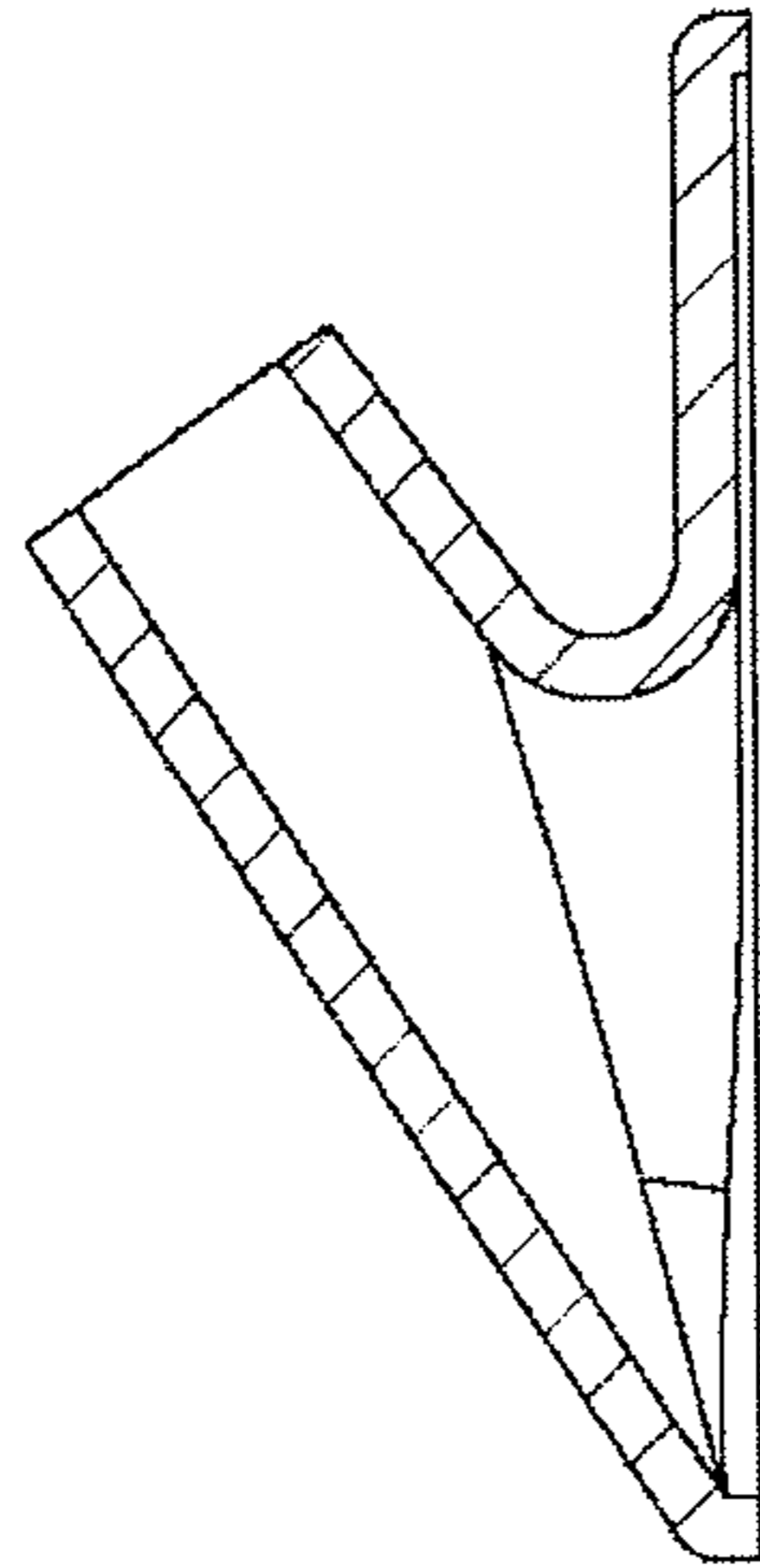


FIG. 5

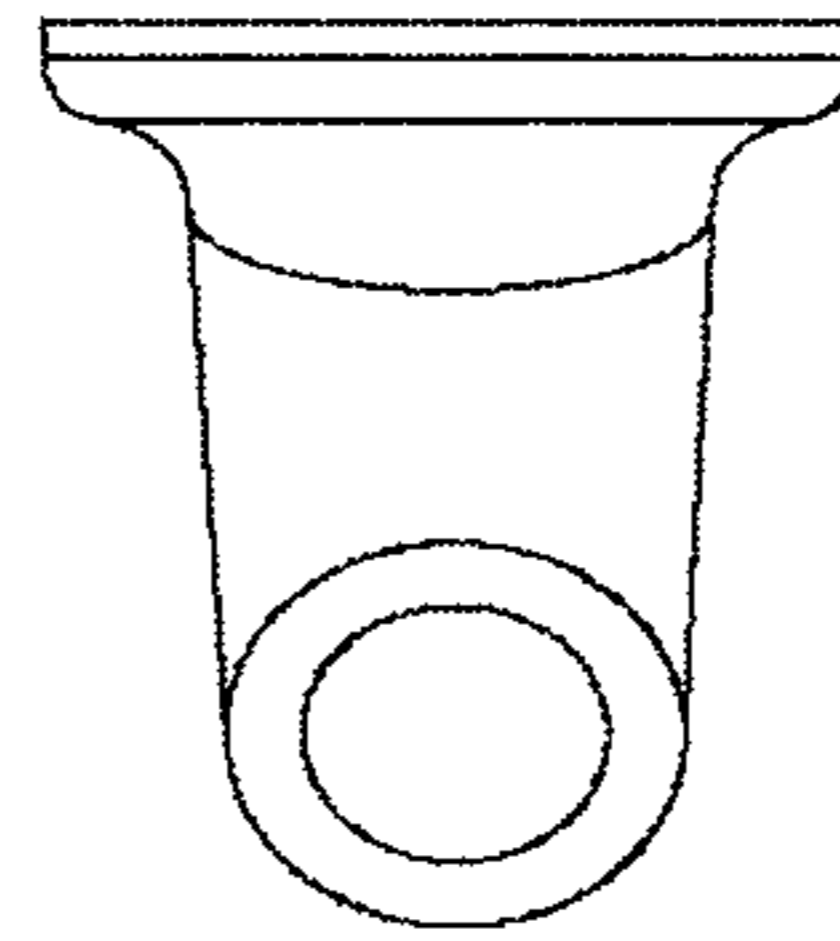


FIG. 6

FIG. 8

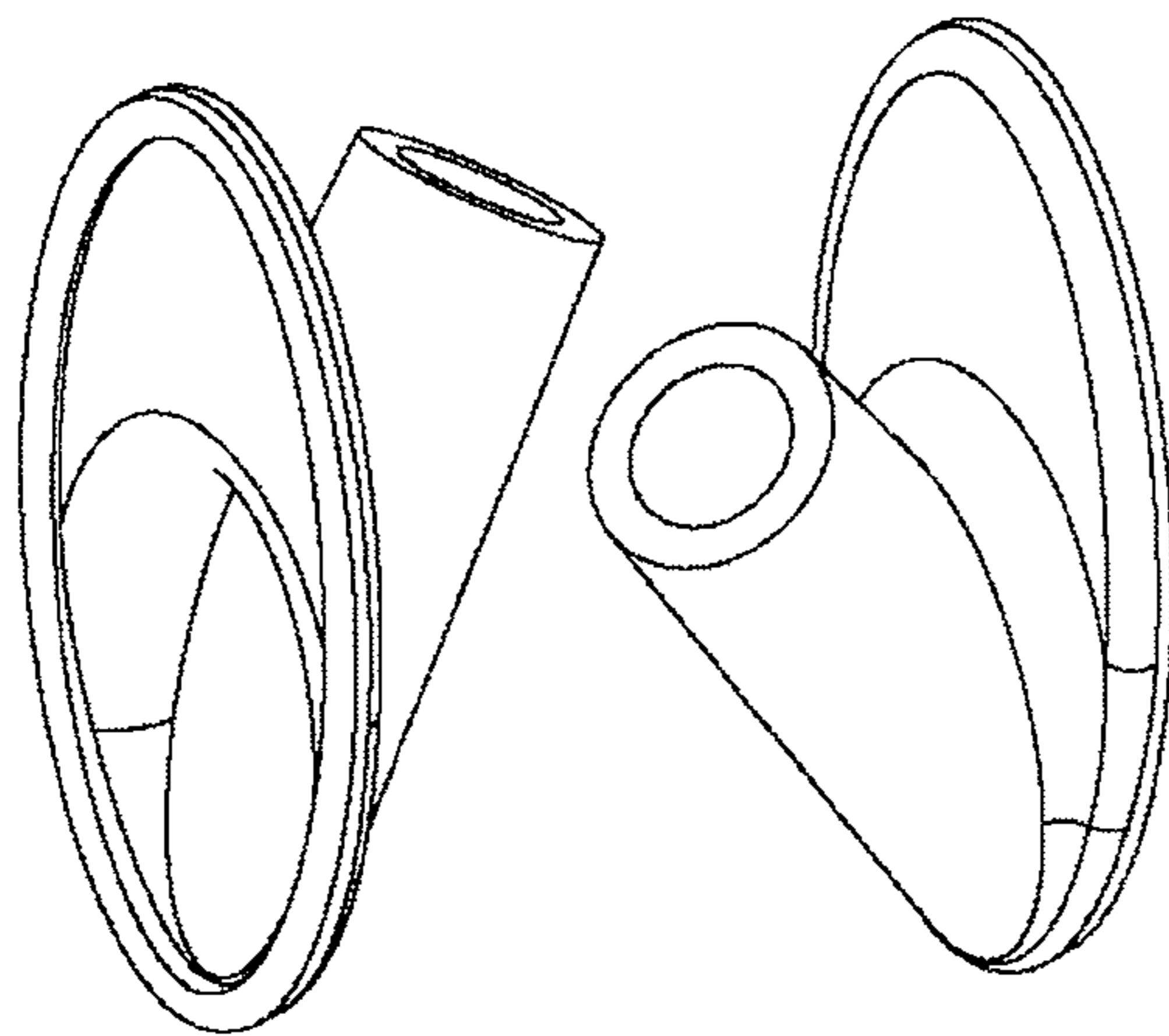


FIG. 7

FIG. 9

