



US00D829597S

(12) **United States Design Patent** (10) **Patent No.:** **US D829,597 S**
Bugielski (45) **Date of Patent:** **** Oct. 2, 2018**

- (54) **HANDLE FOR USE WITH FAN TOWEL**
- (71) Applicant: **Gary Bugielski**, Pittsburgh, PA (US)
- (72) Inventor: **Gary Bugielski**, Pittsburgh, PA (US)
- (**) Term: **15 Years**
- (21) Appl. No.: **29/567,908**
- (22) Filed: **Jun. 14, 2016**
- (51) **LOC (11) Cl.** **11-05**
- (52) **U.S. Cl.**
USPC **D11/181**
- (58) **Field of Classification Search**
USPC D3/1-4; D11/165, 166, 181, 182;
D20/40, 41; 416/70 R, 71-73, 70 A, 74
CPC G09F 17/00; G09F 21/02; Y10T 16/476
See application file for complete search history.

- 2013/0180083 A1 7/2013 Walker
- 2013/0205625 A1 8/2013 Pilok
- 2014/0284363 A1 9/2014 Fisher et al.

OTHER PUBLICATIONS

JQR Enterprises, LLC, (The Towelspinner™), <http://www.towelspinner.com>, 2013.

* cited by examiner

Primary Examiner — David Muller
Assistant Examiner — Nathan Johnston
 (74) *Attorney, Agent, or Firm* — The Webb Law Firm

(56) **References Cited**

U.S. PATENT DOCUMENTS

D149,639	S *	5/1948	Helehan	D11/166
D150,004	S *	6/1948	Faxman	401/98
D244,679	S *	6/1977	Outerbridge	D11/181
D274,629	S *	7/1984	Plumettaz	D10/113.2
4,913,940	A	4/1990	Pratt		
D385,508	S *	10/1997	Regier	D11/181
D409,950	S *	5/1999	Cursage	D11/181
5,904,116	A	5/1999	Wyner et al.		
D418,170	S *	12/1999	Herbst	D10/42
D476,597	S *	7/2003	West	D11/181
D540,713	S *	4/2007	Stegmann	D11/181
D550,949	S *	9/2007	Bouley	D11/166
D600,754	S *	9/2009	Flanagan	D11/181
7,665,412	B2	2/2010	Walls		
D638,745	S *	5/2011	Nelson	D11/166
8,082,687	B2	12/2011	Cohen		
8,136,209	B1	3/2012	Willison		
8,387,292	B1	3/2013	Rasmus		
D743,839	S *	11/2015	Pilok	D11/181
2011/0028065	A1	2/2011	Arcovio		
2012/0314405	A1	12/2012	Culpepper		

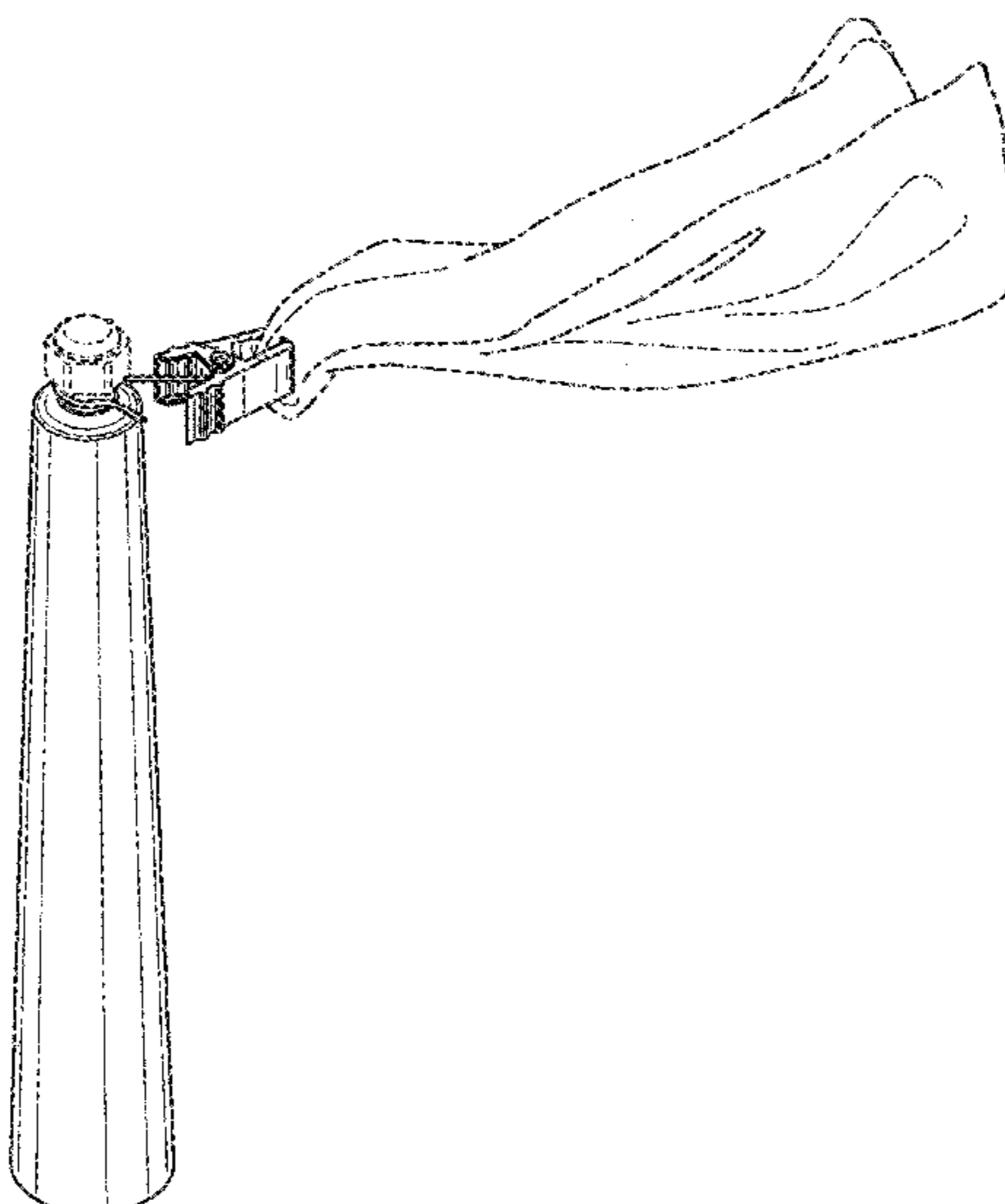
(57) **CLAIM**

The ornamental design for a handle for use with fan towel, as shown and described.

DESCRIPTION

FIG. 1 is a perspective view of a handle for use with fan towel showing my new design;
 FIG. 2 is a front elevation view thereof;
 FIG. 3 is a rear elevation view thereof;
 FIG. 4 is a left side elevation view thereof;
 FIG. 5 is a right side elevation view thereof;
 FIG. 6 is a top plan view thereof;
 FIG. 7 is a bottom plan view thereof;
 FIG. 8 is a perspective view thereof shown in its environment;
 FIG. 9 is a close-up view of the first connection piece thereof; and,
 FIG. 10 is a close-up view of the second connection piece thereof.
 The dashed lines in the figures illustrate the portions of the design that form no part of the claimed design. The dash dot lines depict environmental subject matter only and form no part of the claimed design. None of the broken lines form any part of the claimed design.

1 Claim, 7 Drawing Sheets



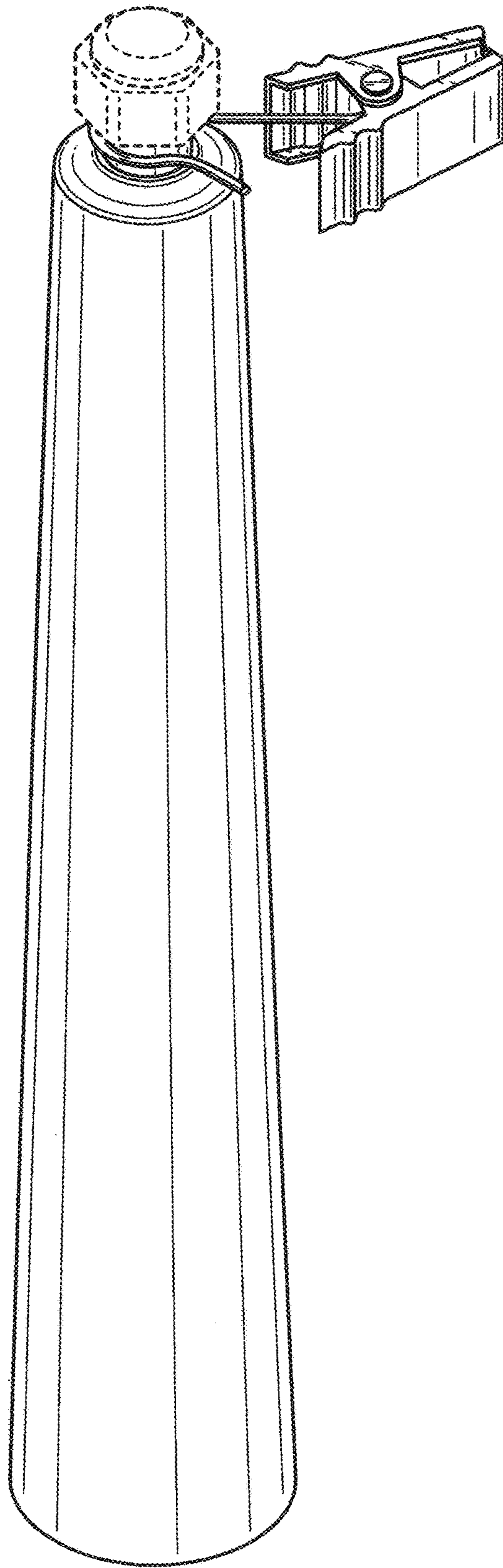


FIG. 1

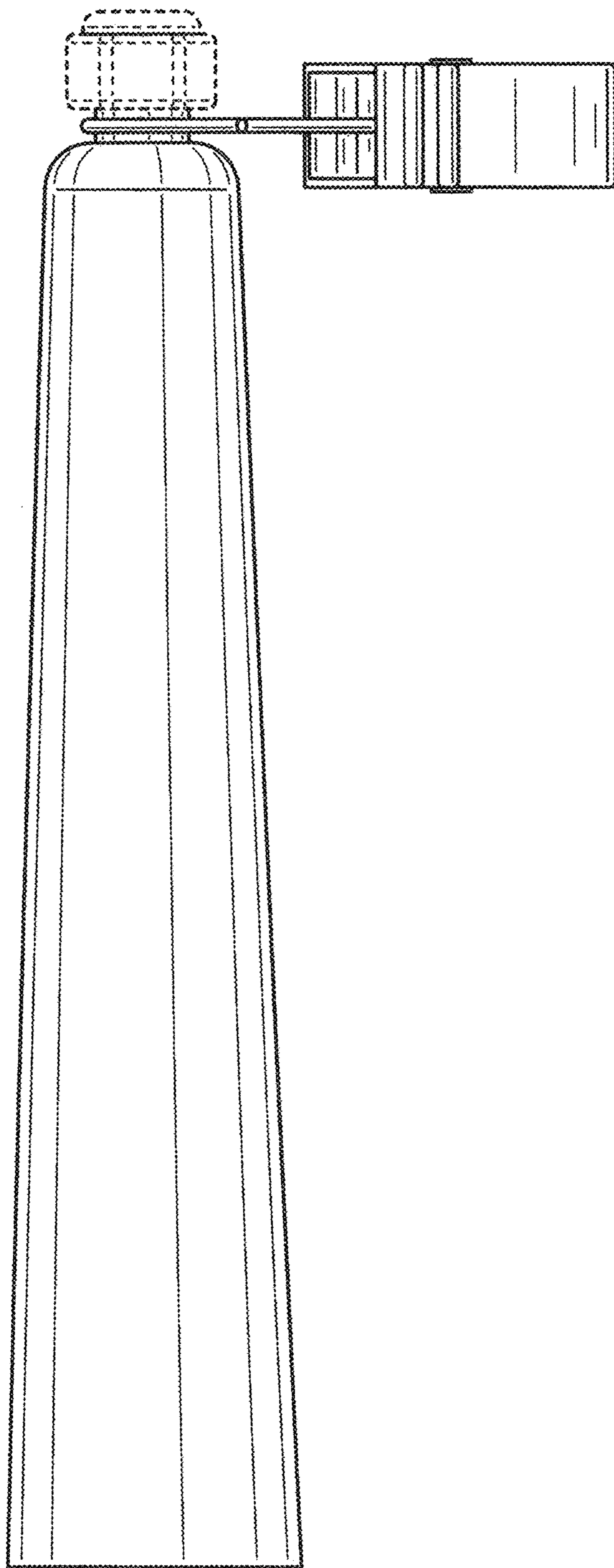


FIG. 2

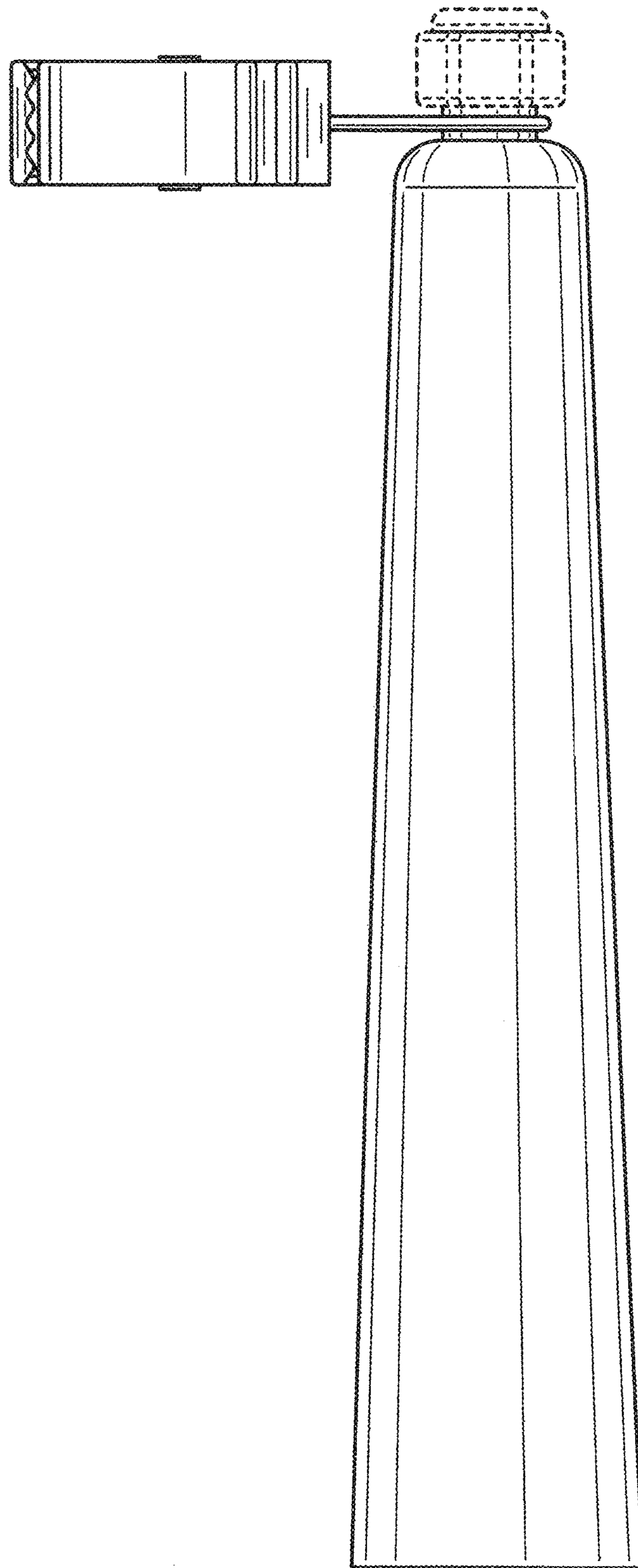


FIG. 3

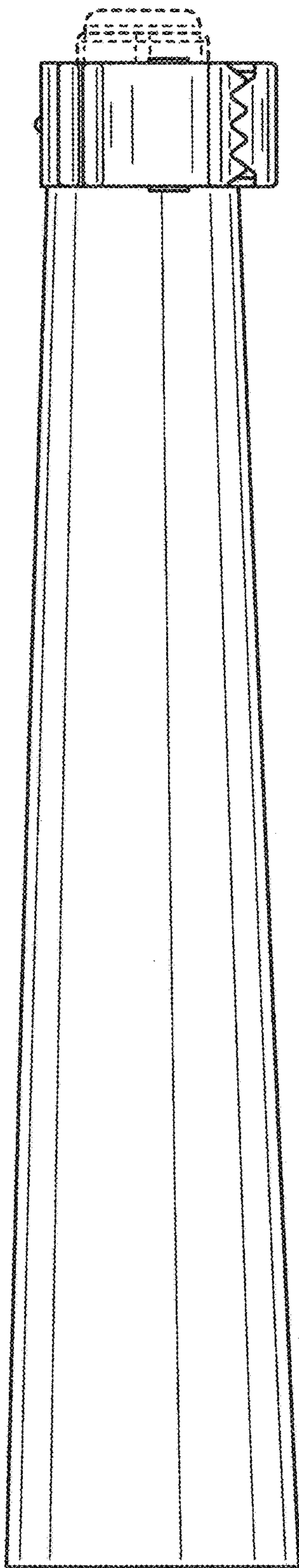


FIG. 4

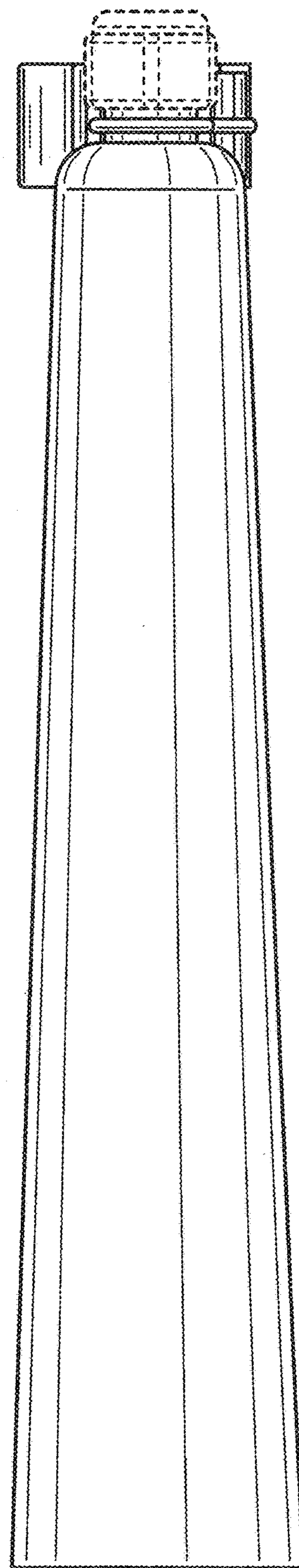


FIG. 5

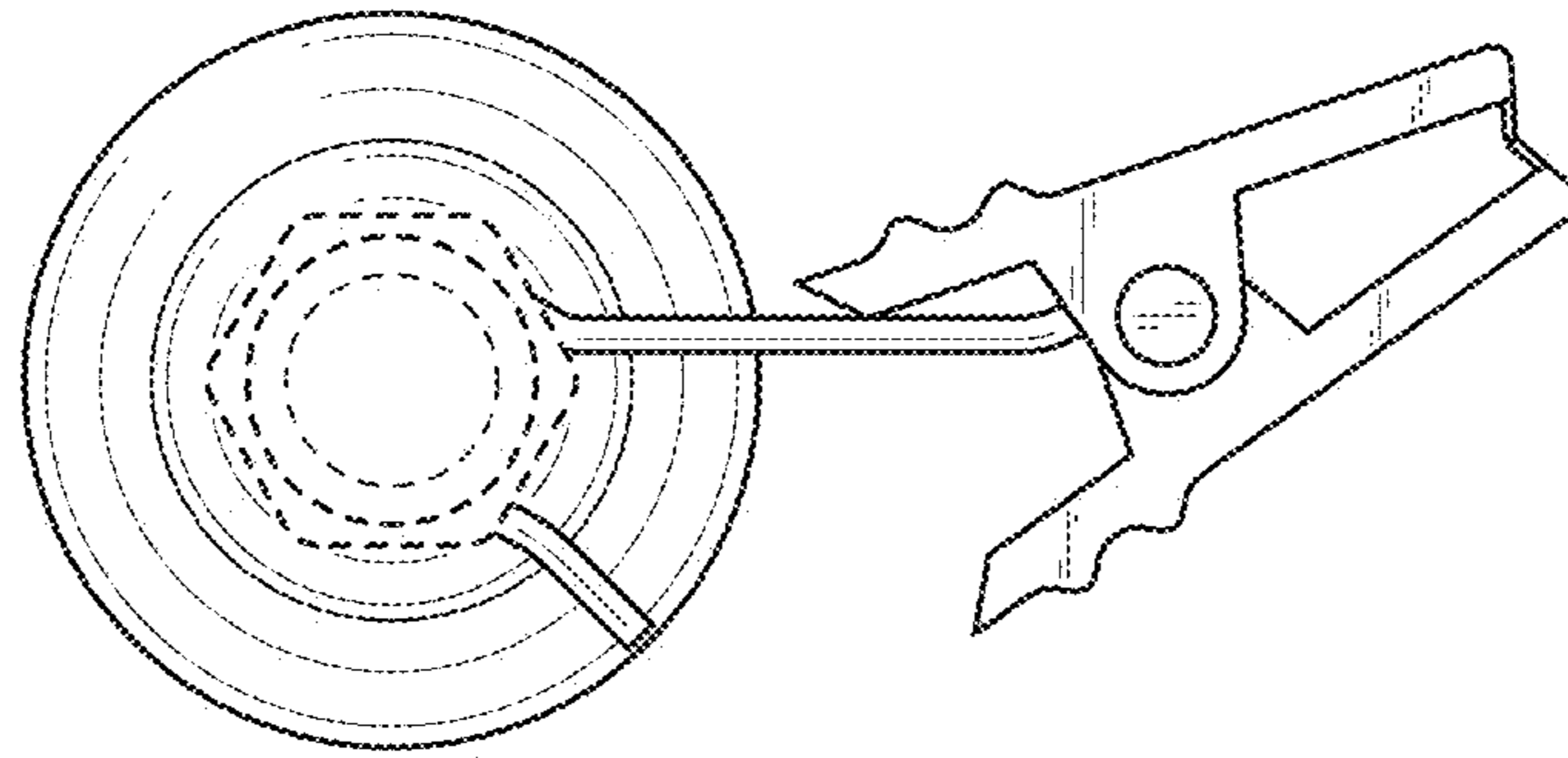


FIG. 6

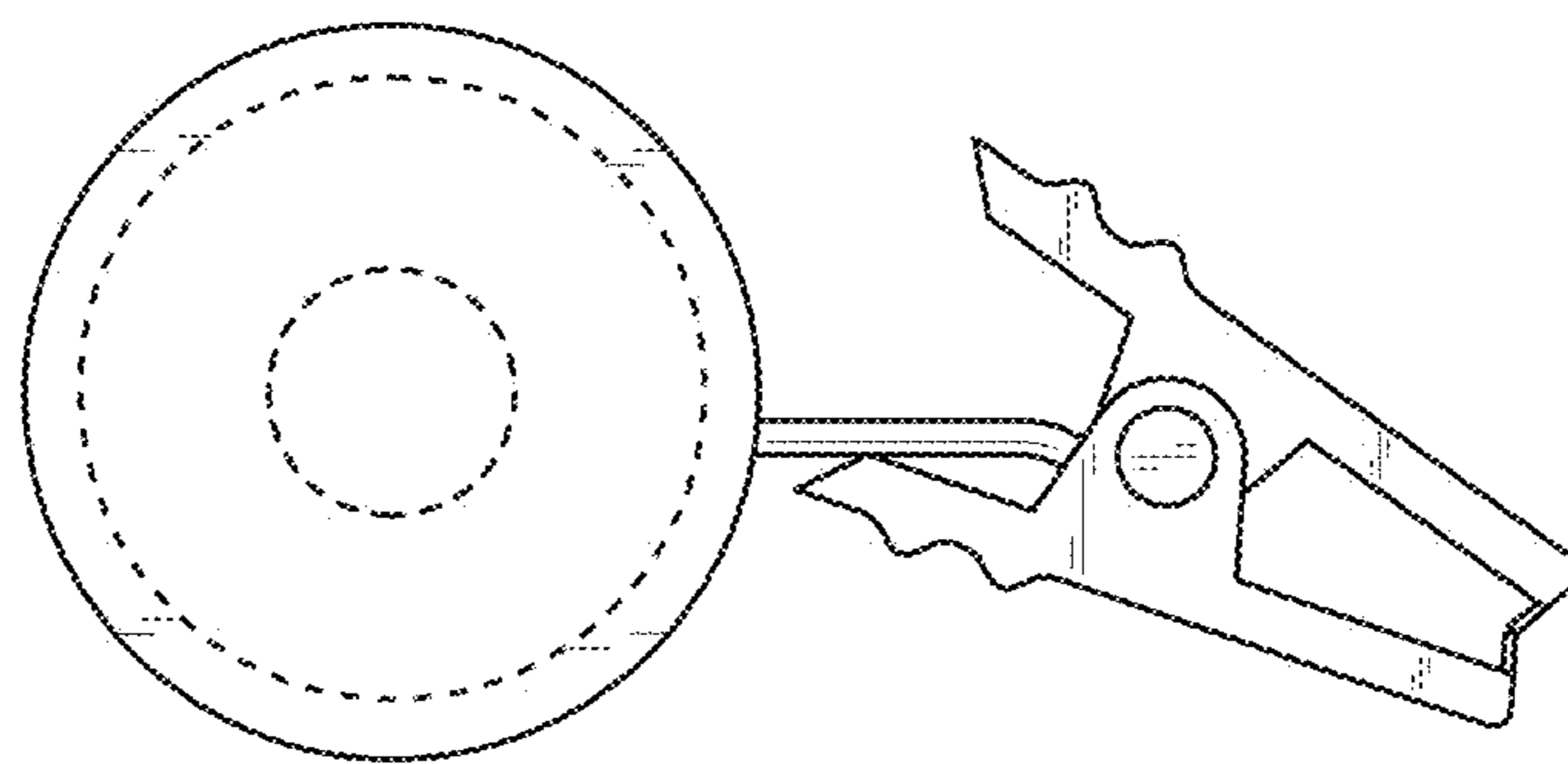


FIG. 7

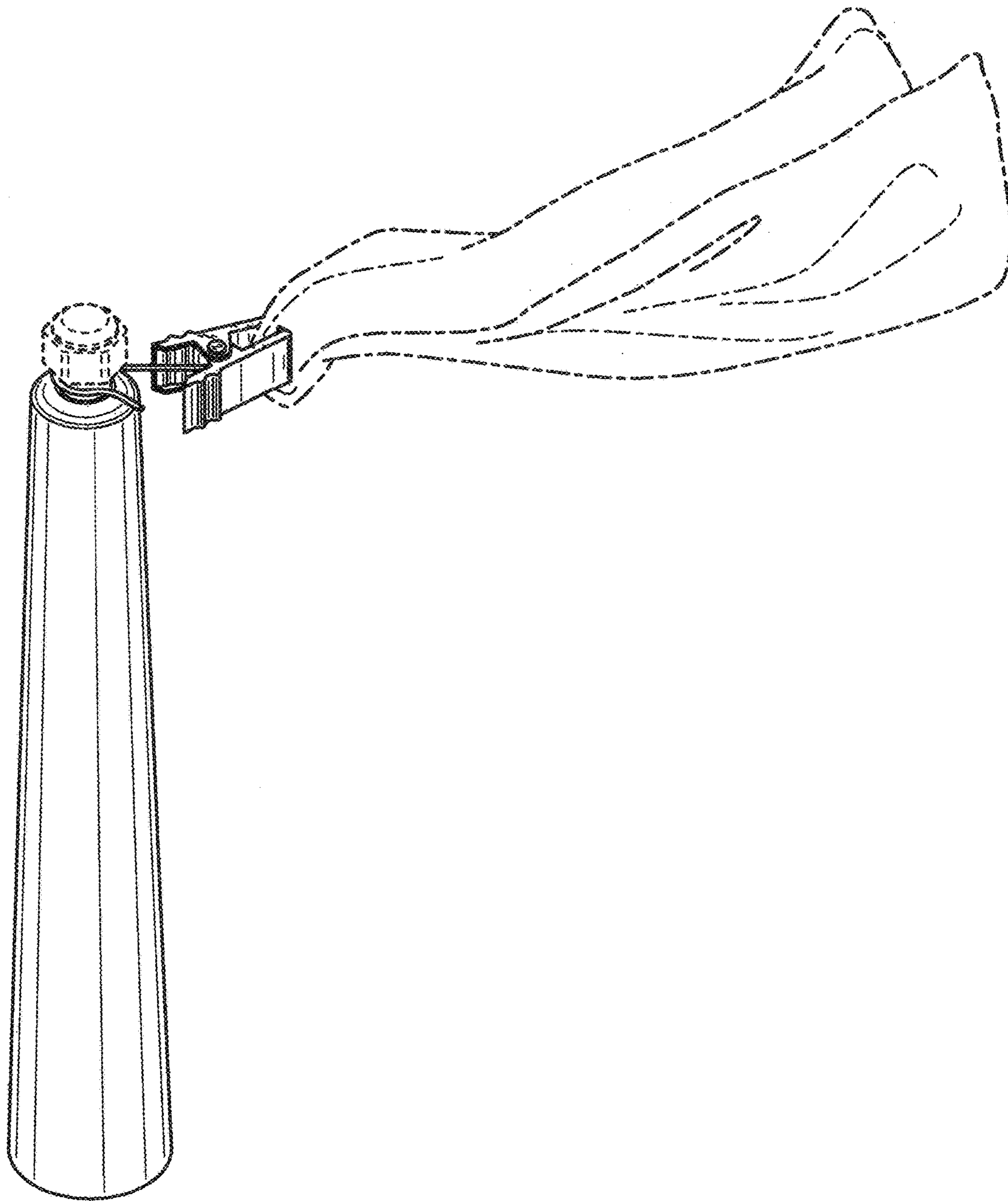


FIG. 8

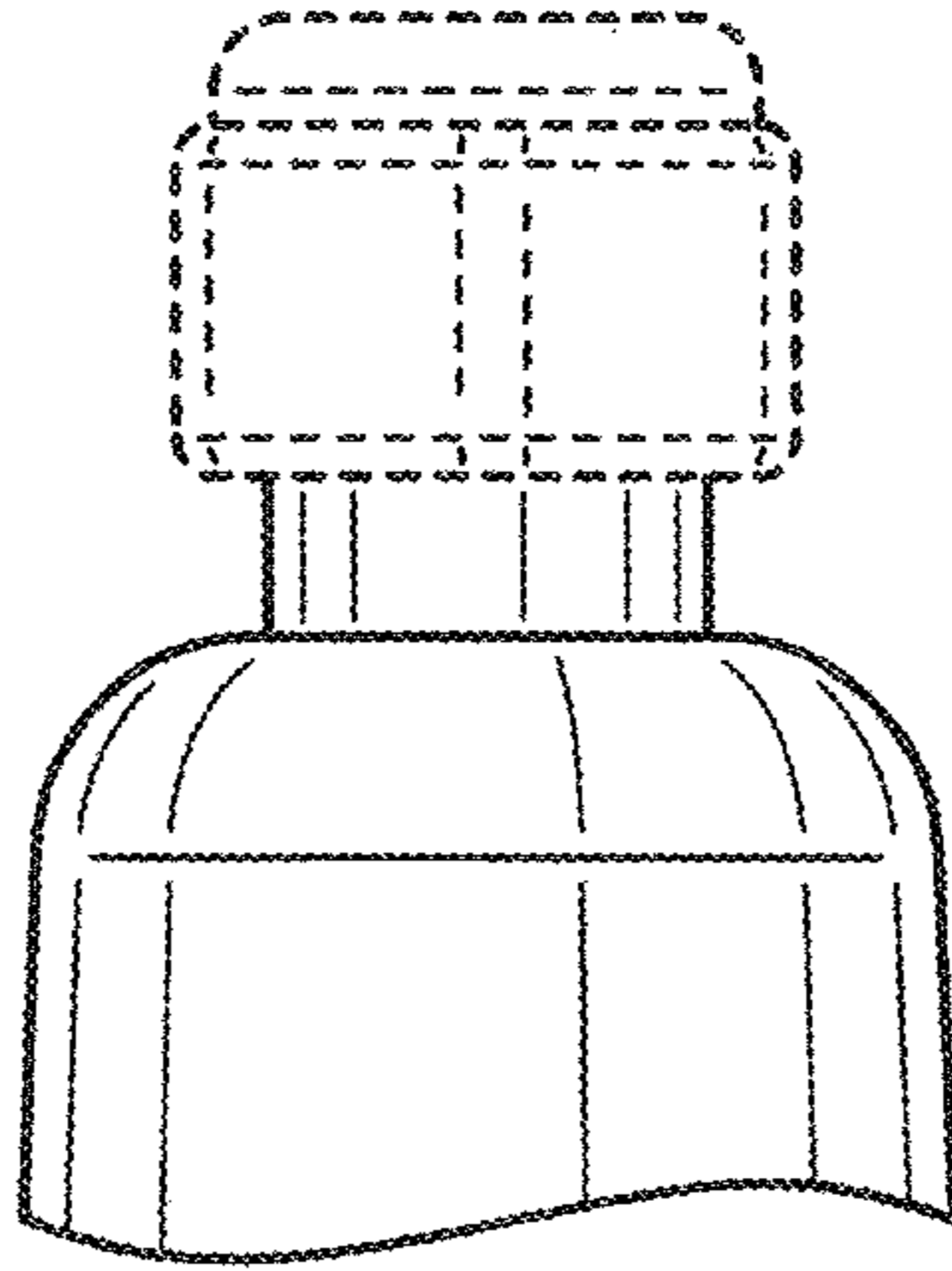


FIG. 9

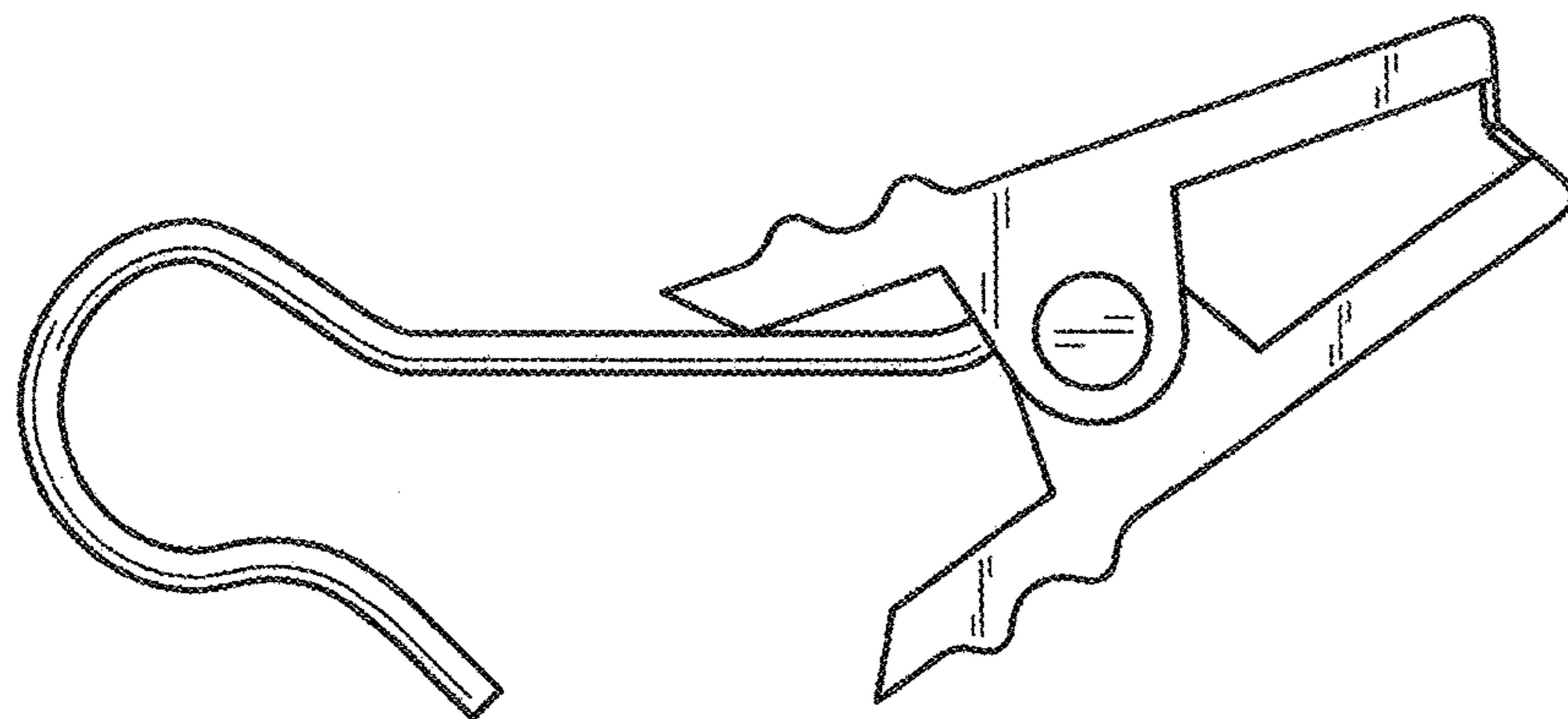


FIG. 10